

# SHARP PARTS LIST

## MICROWAVE OVEN

### MODEL R-305KS

HOW TO ORDER REPLACEMENT PARTS  
To have your order filled promptly and correctly, please furnish the following information.

1. MODEL NUMBER
2. REF. NO.
3. PART NO.
4. DESCRIPTION

Parts marked "\*" may cause undue microwave exposure.

Parts marked "▲" are used in voltage more than 250V.

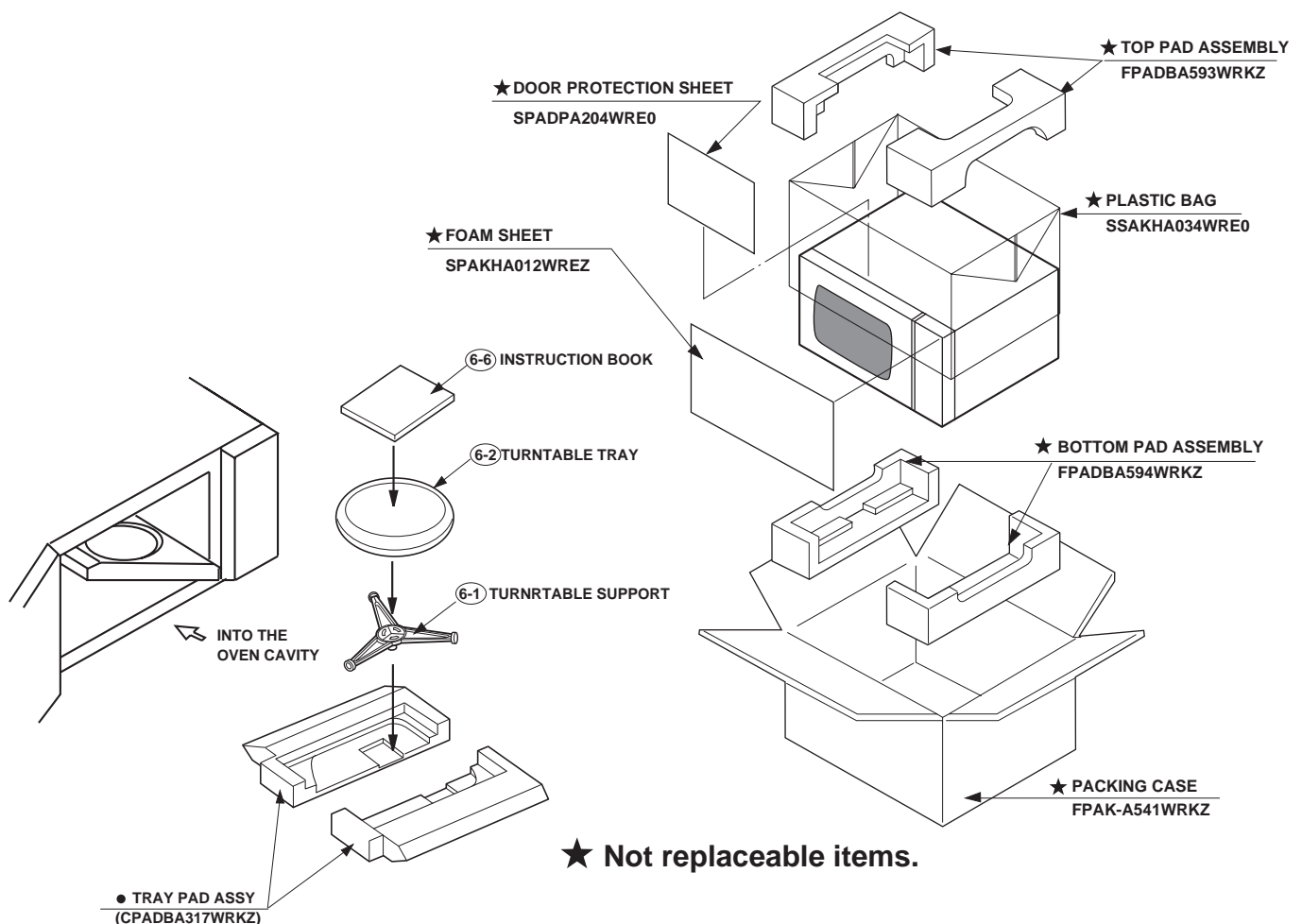
#### CONTENTS

[1] OVEN PARTS

PANEL PARTS

[2] DOOR AND CONTROL

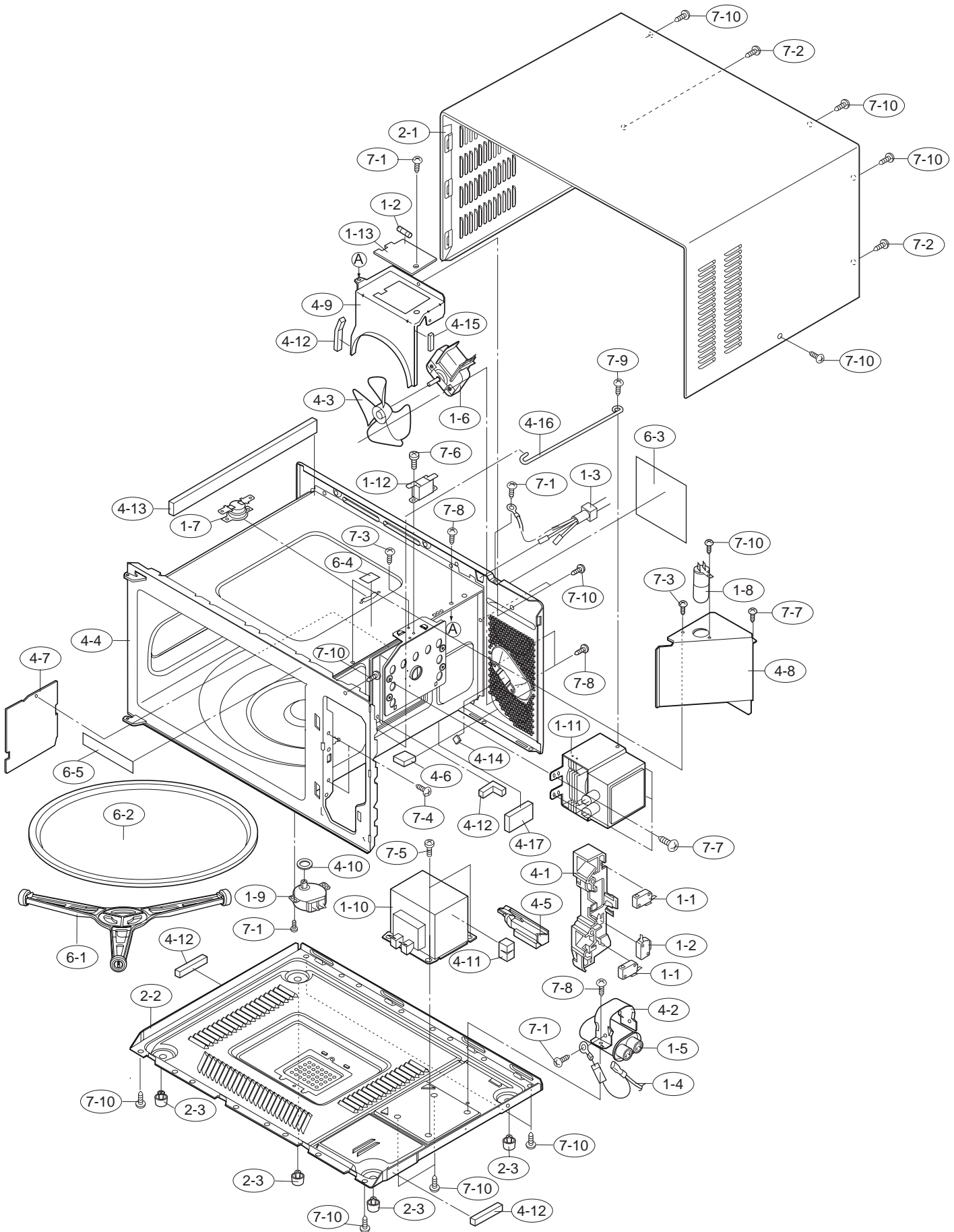
■ INDEX



**SHARP CORPORATION**

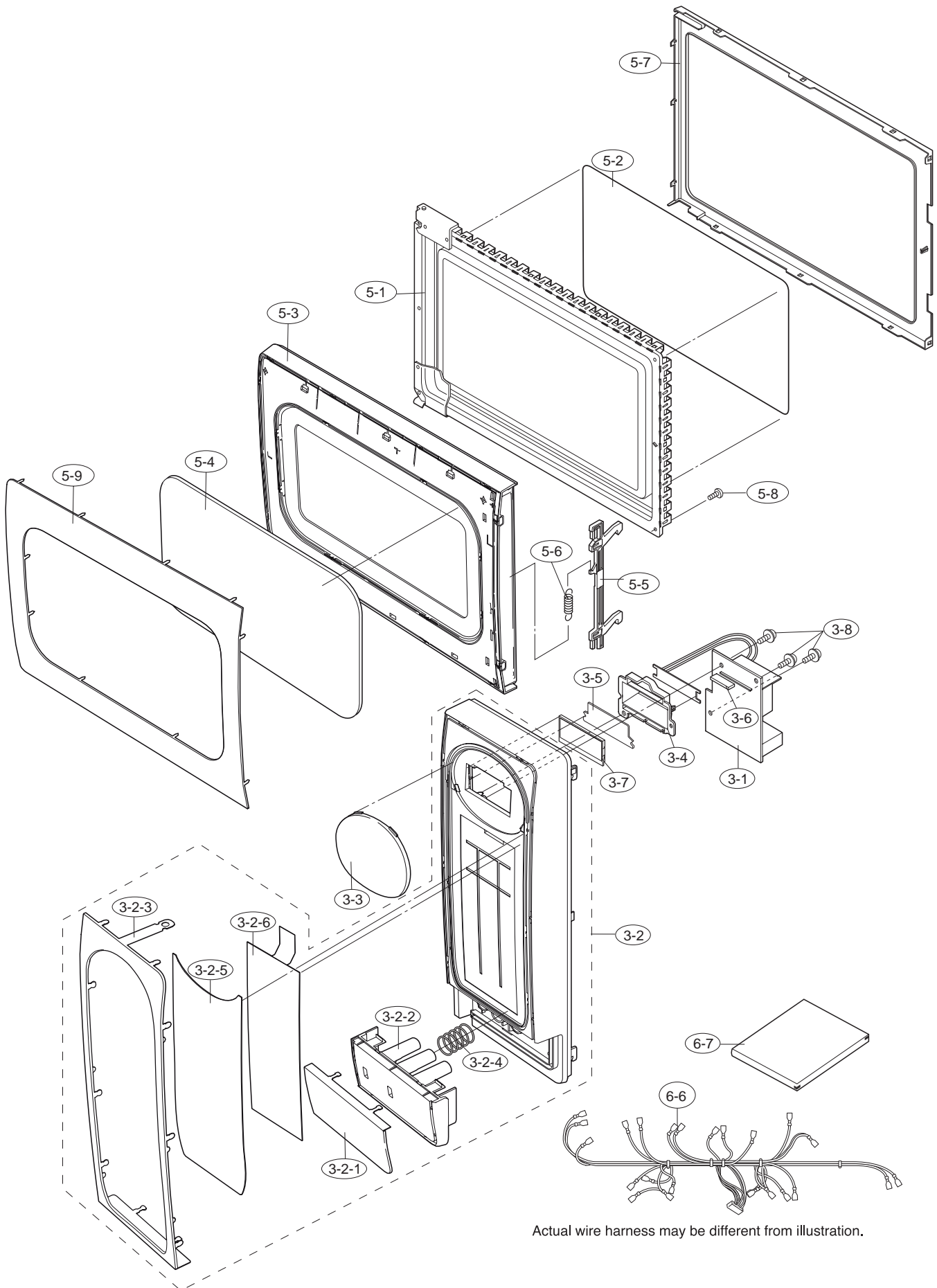
This document has been published to be used for after sales service only.  
The contents are subject to change without notice.

[1] OVEN PARTS



NO.	PARTS CODE	PRICE RANK	NEW MARK	PART RANK	DESCRIPTION
<b>[1] OVEN PARTS</b>					
<b>ELECTRIC PARTS</b>					
1-1	QSW-MA147WRZZ	AG			Secondary interlock switch / door sensing switch
1-2	FFS-BA037WRKZ	AN			Monitor fuse 20A and monitor switch assembly (switch D3V-1G-2C25)
1-3	FACCD1A109WREZ	AU			Power supply cord
1-3	FACCD1A098WREZ	--			Power supply cord (Interchangeable) (for production use)
1-3	FACCD1A099WREZ	--			Power supply cord (Interchangeable) (for production use)
1-3	FACCD1A110WREZ	--			Power supply cord (Interchangeable) (for production use)
△	1-4	FH-DZA109WRKZ	AR		High voltage rectifier assmebly
△	1-4	FH-DZA075WRK0	AR		High voltage rectifier assembly (Interchangeable)
△	1-4	FH-DZA112WRKZ	AR		High voltage rectifier assembly (Interchangeable)
△	1-5	RC-QZA295WRZZ	AV		High voltage capacitor
△	1-5	RC-QZA218WRE0	AW		High voltage capacitor (Interchangeable)
	1-6	RMOTEA433WRZZ	AX		Fan motor
	1-6	RMOTEA346WRE0	AV		Fan motor (Interchangeable)
	1-6	RMOTEA356WRE0	--		Fan motor (Interchangeable) for production use
	1-7	RTHM-A119WRE0	AK		Thermal cut-out 145C [oven]
	1-7	QFS-TA014WRE0	AG		Temperature fuse 150deg.C [oven] (Interchangeable)
	1-8	RLMPTA087WRZZ	AL		Oven lamp
	1-8	RLMPTA082WRZZ	AL		Oven lamp (Interchangeable)
	1-8	RLMPTA085WRZZ	AH		Oven lamp (Interchangeable)
	1-9	RMOTDA264WRZZ	AT		Turntable motor
	1-9	RMOTDA252WRZZ	AN		Turntable motor (Interchangeable)
	1-9	RMOTDA186WRE0	AW		Turntable motor (Interchangeable)
△	1-10	RTRN-A729WRZZ	BG		Power transformer
△	1-10	RTRN-A730WRZZ	--		Power transformer (Interchangeable) for production
△	1-11	RV-MZA288WRE0	BK		Magnetron
△	1-11	RV-MZA321WRZZ	BH		Magnetron (Interchangeable)
△	1-11	RV-MZA340WRZZ	--		Magnetron (Interchangeable) for production use
	1-12	QFS-TA014WRE0	AG		Temperature fuse 150deg.C [Magnetron]
	1-12	RTHM-A119WRE0	AK		Thermal cut-out 145C [Magnetron] (Interchangeable)
	1-13	FPWBFA385WRKZ	AV		Noise filter assembly
<b>CABINET PARTS</b>					
2-1	GCABUA935WRPZ	BD			Outer case cabinet
2-2	GDAI-A360WRWZ	AS			Bottom plate
2-3	GLEGPA074WRE0	AC			Foot
<b>OVEN PARTS</b>					
4-1	PHOK-A131WRFZ	AL			Latch hook
4-2	LBNDKA163WRPZ	AK			Capacitor holder
4-3	NFANJA053WRFZ	AG			Fan blade
4-4	*****	--			Oven cavity [Not a replacement part]
4-5	MLEVPA233WRF0	AG			Switch lever
4-6	PCUSGA620WRPZ	AF			Cushion
4-7	PCOVPA394WREZ	AK			Waveguide cover
4-8	PDUC-A833WRPZ	AM			Air duct
4-9	PDUC-A832WRWZ	AP			Fan duct
4-10	PPACGA176WREZ	AC			TTM packing
4-11	PCUSGA399WRE0	AF			Cushion
4-12	PCUSUA278WRP0	AB			Cushion
4-13	PCUSUA235WRP0	AE			Cushion
4-14	PCUSGA614WRPZ	AE			Cushion
4-15	PCUSGA615WRPZ	AE			Cushion
4-16	MROD-A019WREZ	AN			Chassis support
4-17	PCUSGA616WRPZ	AK			Cushion
<b>MISCELLANEOUS</b>					
6-1	FROLPA101WRKZ	AR			Turntable support
6-2	NTNT-A117WREZ	AS			Turntable
6-3	TCAUAA268WRRZ	AF			DHHS caution label
6-4	TCAUAA292WRRZ	AE			Monitor caution
6-5	TLABMB052WRRZ				Menu label
<b>SCREWS, NUTS AND WASHERS</b>					
7-1	XHPS740P08K00				Screw : 4mm x 8mm
7-2	LX-CZA070WRE0	AC			Special screw
7-3	LX-CZA073WRE0	AC			Special screw
7-4	LX-CZ0052WRE0	AA			Special screw
7-5	LX-EZA042WRE0	AB			Special screw
7-6	XHPS730P06000				Screw : 3mm x 6mm
7-7	XHPS740P08000				Screw : 4mm x 8mm
7-8	XHTS740P08RV0				Screw : 4mm x 8mm
7-9	XHTS740P08000	AC			Screw : 4mm x 8mm
7-10	XOTS740P08000	AA			Screw : 4mm x 8mm

[2] DOOR AND CONTROL PANEL PARTS



Actual wire harness may be different from illustration.

NO.	PARTS CODE	PRICE RANK	NEW MARK	PART RANK	DESCRIPTION
<b>[2] DOOR AND CONTROL PANEL PARTS</b>					
<b>CONTROL PANEL PARTS</b>					
3-1	DPWBFC414WRUZ	BH			Control unit
3-2	FPNLB860WRKZ				Panel sub assy
3-2-1	HDECQA285WRPZ				Button decoration
3-2-2	JBTN-B316WRFZ				Open button
3-2-3	HDECQA286WRPZ				Panel decoration
3-2-4	MSPRCA050WRE0	AB			Button spring
3-2-5	PSHEPB114WREZ				Graphic sheet
3-2-6	QSW-KA055DRZZ				Membrane switch
3-3	GMADIA142WRRZ	AG			Display window
3-4	LHLD-A262WRFZ	AF			LCD holder
3-5	PSHEPB021WREZ	AQ			LED SHEET
3-6	QCNC-A019WRZZ	AG			Rubber connector
3-7	RLCDSA108DRZZ	AU			Liquid crystal display
3-8	XEPS730P08XS0	AA			Screw : 3mm x 8mm
<b>DOOR PARTS</b>					
5-1	FDORFA364WRTZ	AS			Door panel
5-2	PSHEPA382WRE0	AH			Sealer film
5-3	GWAKPA998WRFZ	AX			Door frame
5-4	HPNL-A841WRRZ	AU			Door screen
5-5	LSTPPA188WRF0	AG			Latch head
5-6	MSPRTA187WRE0	AC			Spring
5-7	GCOVHA450WRFZ	AG			Choke cover
5-8	XEPS740P08000				Screw: 4mm x 8mm
5-9	HDECQA287WRRZ	AT			Door decoration
<b>MISCELLANEOUS</b>					
6-6	FW-VZC048WREZ	AS			Main wire harness
6-7	TINSEB081WRRZ	AM			Instruction book