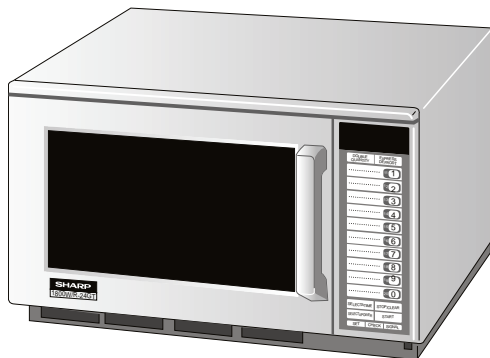


SHARP SERVICE MANUAL

S0512R24GT//

COMMERCIAL MICROWAVE OVENS



R-24GT-F

MODELS **R-23GT-F** **R-24GT-F**

In the interest of user-safety the oven should be restored to its original condition and only parts identical to those specified should be used.

WARNING TO SERVICE PERSONNEL: Microwave ovens contain circuitry capable of producing very high voltage and current, contact with following parts may result in a severe, possibly fatal, electrical shock. (High Voltage Capacitor, High Voltage Power Transformer, Magnetron, High Voltage Rectifier Assembly, High Voltage Harness etc..)

TABLE OF CONTENTS

| | Page |
|---|--------------------|
| PRECAUTIONS TO BE OBSERVED BEFORE AND DURING SERVICE TO | |
| AVOID POSSIBLE EXPOSURE TO EXCESSIVE MICROWAVE ENERGY | INSIDE FRONT COVER |
| BEFORE SERVICING | INSIDE FRONT COVER |
| WARNING TO SERVICE PERSONEL | 1 |
| MICROWAVE MEASUREMENT PROCEDURE | 2 |
| FOREWORD | 3 |
| PRODUCT SPECIFICATIONS | 4 |
| GENERAL INFORMATION | 4 |
| OPERATION | 6 |
| TROUBLE SHOOTING GUIDE/ TEST PROCEDURE | 11 |
| TOUCH CONTROL PANEL | 21 |
| COMPONENT REPLACEMENT AND ADJUSTMENT PROCEDURE | 31 |
| PICTORIAL DIAGRAM | 37 |
| CONTROL PANEL CIRCUIT | 38 |
| PRINTED WIRING BOARD | 40 |
| PARTS LIST | 41 |
| PACKING AND ACCESSORIES | 46 |

SHARP CORPORATION

This document has been published to be used for after sales service only.
The contents are subject to change without notice.

PARTS LIST

Note: The parts marked "Δ" may cause undue microwave exposure.
The parts marked "*" are used in voltage more than 250V.

| REF. NO. | PART NO. | DESCRIPTION | Q'TY | CODE |
|-----------------------|---------------|--|------|------|
| ELECTRIC PARTS | | | | |
| 1- 1 | FH-HZA064WRE0 | Oven thermistor (2) | 1 | AV |
| 1- 2 | QSOCLA026WRZZ | Oven lamp socket | 2 | AF |
| Δ* 1- 3 | RV-MZA335WRZZ | Magnetron | 2 | BA |
| 1- 4 | FMOTEA503WRKZ | Blower motor | 1 | |
| 1- 5 | FPWBFA383WRKZ | Noise filter | 1 | AN |
| 1- 6 | FACCDAl15WRKZ | Power supply cord | 1 | AY |
| 1- 7 | FH-HZA070WRE0 | Oven thermistor (1) & Magnetron thermistor | 2 | AM |
| * 1- 8 | FW-QZA117WRK0 | High voltage rectifier assembly | 1 | AU |
| 1- 9 | FFS-BA033WRKZ | Monitor switch (V-5220Q) and fuse (20A) assembly | 2 | -- |
| 1-10 | QSW-MA087WRE0 | Voltage select switch | 3 | AF |
| 1-11 | QSW-MA085WRE0 | Secondary interlock switch and Door sensing switch | 3 | AF |
| * 1-12 | RC-QZA191WRE0 | High voltage capacitor (Manufacturing discontinuance) | 2 | AY |
| * 1-12 | RC-QZA260WRE0 | High voltage capacitor (May be used from Feb. / 2006 prod.) | 2 | AU |
| 1-13 | RLMPA081WRZZ | Oven lamp | 2 | AK |
| 1-14 | RMOTDA209WRE0 | Stirrer motor | 2 | AR |
| 1-15 | QFS-TA014WRE0 | Temperature fuse 150C (MG.) | 2 | AG |
| 1-16 | QFS-TA015WRE0 | Temperature fuse 120C (OVEN) | 1 | AG |
| * 1-17 | RTRN-A454WRE0 | Power transformer [R-23GT-F] | 2 | BM |
| * 1-17 | RTRN-A455WRE0 | Power transformer [R-24GT-F] | 2 | BM |

When the new high voltage capacitor RC-QZA260WRE0 is used instead of old part (RC-QZA191WRE0), please use the new capacitor holder LBNDKA068WRP0, because the sizes of the old high voltage capacitor and the new one are different.

CABINET PARTS

| | | | | |
|--------|---------------|---------------------------------|---|----|
| 2- 1 | FDAI-A275WRTZ | Base plate assembly | 1 | BC |
| 2- 2 | PSHEGA009WREZ | Rubber sheet D | 2 | AF |
| 2- 3 | PSHEGA010WREZ | Rubber sheet E | 2 | AE |
| 2- 4 | GCOVAA350WRPZ | Rear cabinet | 1 | AX |
| 2- 5 | FFTASA064WRY0 | Oven lamp access cover assembly | 1 | AN |
| 2- 5-1 | PCUSUA585WRPZ | Cushion | 1 | AF |
| 2- 5-2 | PREFHA059WRP0 | Reflector | 1 | AF |
| 2- 6 | GCABUA860WRPZ | Outer case cabinet | 1 | BD |
| 2- 7 | FFPF-A016WRK0 | Vibration-proof sheet | 1 | AU |
| 2- 8 | TMAPCA778WRRZ | Schematic diagram | 1 | AE |

CONTROL PANEL PARTS

| | | | | |
|-------|----------------|------------------------------|---|----|
| 3- 1 | DPWBFC508WRUZ | Control unit [R-23GT-F] | 1 | BP |
| 3- 1 | DPWBFC509WRUZ | Control unit [R-24GT-F] | 1 | BP |
| 3- 1A | QCNCMA308DRE0 | 4-pin connector (A) | 1 | AC |
| 3- 1B | QCNCMA312DRE0 | 3-pin connector (B) | 1 | AB |
| 3- 1C | QCNCMA039DRE0 | 3-pin connector (H) | 1 | AB |
| 3- 1D | QCNCWA030DRE0 | 12-pin connector (G) | 1 | AE |
| 3- 1E | QLUGPA012DRE0 | Tab terminal (TAB1,TAB2) | 2 | AB |
| C1 | VCEAB51EW228M | Capacitor 2200 uF 25V | 1 | AE |
| C2 | VCKYD11HF104Z | Capacitor 0.1 uF 50V | 1 | AB |
| C3 | VCEAB31AW476M | Capacitor 47 uF 10V | 1 | AA |
| C4 | VCKYD11HF104Z | Capacitor 0.1 uF 50V | 1 | AB |
| C5 | VCEAB31AW476M | Capacitor 47 uF 10V | 1 | AA |
| C6 | VCKYD11HF104Z | Capacitor 0.1 uF 50V | 1 | AB |
| C7 | VCKYD11CY103N | Capacitor 0.01 uF 16V | 1 | AA |
| C8-9 | VCKYD11HF104Z | Capacitor 0.1 uF 50V | 2 | AB |
| C10 | VCKYD11CY103N | Capacitor 0.01 uF 16V | 1 | AA |
| C20 | VCEAB31HW104M | Capacitor 0.1 uF 50V | 1 | AM |
| C21 | VCEAB31EW106M | Capacitor 10 uF 25V | 1 | AA |
| C30 | VCEAB31AW476M | Capacitor 47 uF 10V | 1 | AA |
| C31 | VCKYD11CY103N | Capacitor 0.01 uF 16V | 1 | AA |
| C60 | VCKYD11HF104Z | Capacitor 0.1 uF 50V | 1 | AB |
| C61 | VCKYD11CY103N | Capacitor 0.01 uF 16V | 1 | AA |
| C62 | VCKYD11HF104Z | Capacitor 0.1 uF 50V | 1 | AB |
| C63 | VCKYD11CY103N | Capacitor 0.01 uF 16V | 1 | AA |
| C64 | VRD-Q12EF562J | Resistor 5.6k ohm 1/4W | 1 | AA |
| C70 | VCKYD11CY103N | Capacitor 0.01 uF 16V | 1 | AA |
| C100 | VCEAB31AW476M | Capacitor 47 uF 10V | 1 | AA |
| C101 | VCKYD11CY103N | Capacitor 0.01 uF 16V | 1 | AA |
| CF1 | RCRS-A010DRE0 | Ceramic resonator CST4.00MGW | 1 | AD |
| D1-4 | VHD10EDB10+-1T | Diode (10EDB10) | 4 | AB |

| REF. NO. | PART NO. | DESCRIPTION | Q'TY | CODE |
|----------|----------------|--|------|------|
| D20-22 | VHD1SS270A/-1 | Diode (1SS270A) | 3 | AA |
| D23 | VHD10EDB10+-1T | Diode (10EDB10) | 1 | AB |
| D70 | VHD1SS270A/-1 | Diode (1SS270A) | 1 | AA |
| D100-101 | VHD1SS270A/-1 | Diode (1SS270A) | 2 | AA |
| IC1 | RH-IZA633DRE0 | LSI | 1 | AW |
| IC2 | RH-IZA980DRE0 | IC (AT24C02-10PC2.5) | 1 | AN |
| IC3 | RIC--A025BDE0 | IC (KID65004AP) | 1 | AE |
| LED1 | VHPSL3966T/1B | Light emitting diode | 1 | AS |
| Q1 | RIC--A022BDE0 | IC (KIA7805PI) | 1 | AE |
| Q2 | VSDTA123ES/-3 | Transistor (DTA123ES) | 1 | AA |
| Q3 | RH-TZA036CBE0 | Transistor (KRC101M) | 1 | AA |
| Q20 | VSDTB143ES/-3 | Transistor (DTB143ES) | 1 | AC |
| Q21 | RH-TZA036CBE0 | Transistor (KRC101M) | 1 | AA |
| Q22-23 | VSDTD143ES/-3 | Transistor (DTD143ES) | 2 | AC |
| Q60 | RH-TZA037CBE0 | Transistor (KRA101M) | 1 | AA |
| R1-2 | VRD-Q12EF471J | Resistor 470 ohm 1/4W | 2 | AA |
| R3-5 | VRD-Q12EF472J | Resistor 4.7k ohm 1/4W | 3 | AA |
| R30 | VRD-Q12EF101J | Resistor 100 ohm 1/4W | 1 | AA |
| R31 | VRD-Q12EF153J | Resistor 15k ohm 1/4W | 1 | AA |
| R32 | VRD-Q12EF272J | Resistor 2.7k ohm 1/4W | 1 | AA |
| R33 | VRD-Q12EF472J | Resistor 4.7k ohm 1/4W | 1 | AA |
| R40 | VRD-Q12EF272J | Resistor 2.7k ohm 1/4W | 1 | AA |
| R50-58 | VRD-Q12EF101J | Resistor 100 ohm 1/4W | 9 | AA |
| R60 | VRD-Q12EF112J | Resistor 1.1k ohm 1/4W | 1 | AA |
| R61 | VRD-Q12EF472J | Resistor 4.7k ohm 1/4W | 1 | AA |
| R62 | VRD-Q12EF333J | Resistor 33k ohm 1/4W | 1 | AG |
| R63 | VRD-Q12EF152J | Resistor 1.5k ohm 1/4W | 1 | AA |
| R64 | VRD-Q12EF472J | Resistor 4.7k ohm 1/4W | 1 | AA |
| R65 | VRD-Q12EF682J | Resistor 6.8k ohm 1/4W | 1 | AA |
| R66 | VRD-Q12EF472J | Resistor 4.7k ohm 1/4W | 1 | AA |
| R70-71 | VRD-Q12EF472J | Resistor 4.7k ohm 1/4W | 2 | AA |
| R80-88 | VRD-Q12EF472J | Resistor 4.7k ohm 1/4W | 9 | AA |
| R100 | VRN-R12EK821F | Resistor 820 ohm (F) 1/4W | 1 | AA |
| R101 | VRD-Q12EF104J | Resistor 100k ohm 1/4W | 1 | AA |
| R102 | VRD-Q12EF472J | Resistor 4.7k ohm 1/4W | 1 | AA |
| (J5) | VRD-Q12EF103J | Resistor 10k ohm 1/4W [R-23GT-F] | 1 | AA |
| (J5) | VRD-Q12EF203J | Resistor 20k ohm 1/4W [R-24GT-F] | 1 | AA |
| (J6) | VRD-Q12EF203J | Resistor 20k ohm 1/4W [R-23GT-F] | 1 | AA |
| (J6) | VRD-Q12EF103J | Resistor 10k ohm 1/4W [R-24GT-F] | 1 | AA |
| RY1 | RRLY-A071DRE0 | Relay (OJE-SS-112LM) | 1 | AG |
| RY2-3 | RRLY-A094DRE0 | Relay (OMIF-S-112LM) | 2 | AN |
| SP1 | RALM-A014DRE0 | Buzzer (PKM22EPT) | 1 | AG |
| T1 | RTRNPA095DRE0 | Touch control transformer | 1 | AU |
| CT1 | RTRN-026CHRE0 | Current transformer | 1 | AH |
| VRS1-2 | RH-VZA034DRE0 | Varistor (10G471K) | 2 | AD |
| ZD1 | VHEHZ12B1//--1 | Zener diode (HZ12B1) | 1 | AB |
| ZD2 | VHEHZ4A2///-1 | Zener diode (HZ4A2) | 1 | AA |
| 3- 2 | FPNLCA468WRK0 | Control panel frame with key unit | 1 | AZ |
| 3- 2-1 | FUNTKA773WRE0 | Key unit | 1 | AT |
| 3- 2-2 | HDECAA195WRP0 | Decoration metal fittings | 1 | AP |
| 3- 2-3 | PCUSUA417WRP0 | Cushion | 1 | AB |
| 3- 3 | LANGTA243WRW0 | Control panel mounting angle | 1 | AF |
| 3- 4 | XEPS730P10XS0 | Screw; control unit mounting | 5 | AA |
| 3- 5 | XEPS740P12000 | Screw; control panel mounting angle mounting | 2 | AA |
| 3- 6 | LX-BZA138WREZ | Screw; decoration panel mounting for earth | 1 | AB |

OVEN PARTS

| | | | | | |
|---|------|---------------|--------------------------------------|---|----|
| Δ | 4- 1 | PGLSPA632WREZ | Lamp glass | 1 | AG |
| | 4- 2 | FDUC-A345WRY0 | Exhaust duct assembly | 1 | AP |
| | 4- 3 | ***** | Oven cavity (Not a replaceable part) | 1 | -- |
| | 4- 4 | PFILWA063WRPZ | Oven light screen (Inside) | 1 | AD |
| | 4- 5 | MLEVPA153WRF0 | Switch lever A | 1 | AC |
| | 4- 6 | MLEVPA154WRF0 | Switch lever B | 1 | AC |
| | 4- 7 | MLEVPA155WRF0 | Switch lever C | 1 | AC |
| | 4- 8 | MSPRCA075WRE0 | Switch spring A | 1 | AB |
| | 4- 9 | MSPRCA076WRE0 | Switch spring B | 2 | AB |
| Δ | 4-10 | PHOK-A081WRF0 | Latch hook | 1 | AP |
| Δ | 4-11 | MHNG-A216WRM0 | Lower oven hinge | 1 | AG |
| | 4-12 | PSPAGQ002YBE0 | Vibration-proof spacer | 1 | AA |
| | 4-13 | PCUSU0407WRP0 | Cushion | 2 | AA |
| | 4-14 | FGLSPA067WRYZ | Ceramic shelf | 1 | BH |
| | 4-15 | FPLT-A008WRY0 | Stirrer antenna upper assembly | 1 | AV |
| | 4-16 | FPLT-A009WRY0 | Stirrer antenna lower assembly | 1 | AV |
| | 4-17 | LANGKA762WRP0 | Partition angle R | 1 | AE |

| REF. NO. | PART NO. | DESCRIPTION | Q'TY | CODE |
|----------|---------------|--|------|------|
| 4-18 | LANGQA228WRW0 | Oven lamp mounting plate | 1 | AF |
| 4-19 | LBNDKA075WRP0 | Capacitor holder for capacitor RC-QZA191WRE0 | 1 | AD |
| 4-19 | LBNDKA068WRP0 | Capacitor holder for capacitor RC-QZA260WRE0 (New) | 1 | AD |
| 4-20 | PGIDHA054WRW0 | Water-proof cover | 1 | AF |
| 4-21 | NSFTPA031WRFO | Antenna motor shaft | 2 | AH |
| 4-22 | LANGQA622WRPZ | Noise filter angle | 1 | AK |
| 4-23 | PCUSUA417WRP0 | Cushion | 1 | AB |
| △ 4-24 | MHNG-A215WRM0 | Upper oven hinge | 1 | AG |
| 4-25 | PCUSUA413WRP0 | Cushion | 1 | AG |
| 4-26 | PCUSUA415WRP0 | Cushion | 3 | AC |
| 4-27 | PDUC-A729WRFO | Air duct | 1 | AL |
| 4-28 | PDUC-A564WRW0 | Mg exhaust duct | 1 | AP |
| 4-29 | PCUSUA414WRP0 | Cushion | 1 | AD |
| 4-30 | LANGKA679WRPZ | Fixing angle S | 1 | AD |
| 4-31 | HDECQA147WRM0 | Corner cap right | 1 | AE |
| 4-32 | LANGFA195WRW0 | Chassis support | 1 | AG |
| 4-33 | LBSHC0006YBEO | Cord bushing [R-23GT-F] [R-24GT-F] | 1 | AD |
| 4-34 | LANGQA593WRPZ | Blower motor angle | 1 | AH |
| 4-35 | FFIL-A003WRK0 | Air intake filter assembly | 1 | AV |
| 4-36 | HDECEA001WRP0 | Decoration sash | 1 | AR |
| 4-37 | HDECQA146WRM0 | Corner cap left | 1 | AE |
| 4-38 | PCUSGA409WRP0 | Cushion | 2 | AE |
| 4-39 | PCOVPA422WRPZ | Splash cover | 1 | BK |
| 4-40 | LANGQA512WRP0 | Thermistor angle | 1 | AE |
| 4-41 | LANGKA475WRP0 | Switch mounting angle | 1 | AD |
| 4-42 | LANGKA760WRP0 | Switch lever | 1 | AE |
| 4-43 | PCUSUA268WRP0 | Cushion | 1 | AA |
| 4-44 | MSPRCA101WRE0 | Switch lever spring C | 1 | AC |
| 4-45 | LSUB-A133WRPZ | Thermo contactor | 1 | AD |
| 4-46 | LANGTA408WRWZ | Lamp glass mounting plate | 1 | AK |
| 4-47 | PSPA-A114WRFO | Switch spacer | 1 | AC |
| 4-48 | LSUB-A134WRPZ | Hinge support angle | 1 | AD |

DOOR PARTS

| | | | | |
|--------|---------------|-----------------------------|---|----|
| △ 5 | CDORFB029WRKZ | Door assembly | 1 | BT |
| △ 5- 1 | DDORFB192WRKZ | Door panel assembly | 1 | |
| 5- 2 | GCOVAA242WRY0 | Door case | 1 | BD |
| 5- 3 | FHNDMA011WRY0 | Door lever assembly | 1 | AP |
| 5- 4 | GCOVHA350WRFO | Choke cover | 1 | AR |
| 5- 5 | JHNDMA039WRM0 | Door handle | 1 | AX |
| 5- 6 | LANGKA766WRP0 | Outside window fixing plate | 2 | AF |
| 5- 7 | PCUSGA430WRP0 | Cushion | 2 | AM |
| 5- 8 | PGLSPA457WRE0 | Door glass | 1 | AV |
| 5- 9 | PPACGA142WRP0 | Door case packing | 2 | AF |
| 5-10 | PGID-0024WRFO | Handle guide | 4 | AC |
| 5-11 | PGID-0025WRFO | Handle spacer | 1 | AC |
| 5-12 | PSPA-A102WRE0 | Door case spacer | 2 | AE |
| 5-13 | XHTS740P08RV0 | Screw : 4mm x 8mm | 9 | AG |
| 5-14 | FANGKA200WRY0 | Latch fixing angle | 1 | AQ |
| 5-15 | FLEVFA019WRY0 | Joint lever | 1 | AP |
| △ 5-16 | LSTPCA002WRM0 | Latch head | 2 | AM |
| 5-17 | MLEVPA220WRFO | Head lever | 1 | AM |
| 5-18 | MSPRCA097WRE0 | Latch spring | 1 | AG |
| 5-19 | HBDGCA066WRE0 | Door badge [R-23GT-F] | 1 | AF |
| 5-19 | HBDGCA067WRE0 | Door badge [R-24GT-F] | 1 | AF |
| 5-20 | PCUSGA486WRP0 | Handle cushion | 1 | AM |

MISCELLANEOUS

| | | | | |
|--------|---------------|-----------------------|---|----|
| 6- 1 | TINSEB105WRRZ | Instruction manual | 1 | AG |
| 6- 2 | TLABHA024WRR0 | Menu sticker | 1 | AH |
| 6- 3 | FW-VZB755WRE0 | Switch harness | 1 | AQ |
| 6- 4 | FW-VZC077WREZ | Main wire harness | 1 | BD |
| 6- 5 | LHLDWQ005YBEO | Purse lock LL | 1 | AA |
| 6- 6 | LBNDKA079WRE0 | Wire holder | 3 | AB |
| 6- 7 | FW-VZC039WREZ | Supply harness | 1 | AL |
| 6- 8 | TCAUAA130WRR0 | Lamp caution | 1 | AC |
| * 6- 9 | QW-QZA238WRE0 | High voltage wire | 2 | AF |
| 6-10 | TCAUAA288WRRZ | Monitor caution label | 1 | AD |
| 6-11 | TCAUA0165WRR0 | DHHS caution label | 1 | AB |
| 6-12 | TCAUAA279WRRZ | Voltage caution label | 1 | AF |
| 6-13 | LHOLDA004WRE0 | Cord holder | 1 | AA |
| 6-14 | TCAUAA181WRR0 | Filter caution label | 1 | AC |
| 6-15 | TCAUAA165WRR0 | User caution | 1 | AC |

| REF. NO. | PART NO. | DESCRIPTION | Q'TY | CODE |
|----------|---------------|--------------|------|------|
| 6-16 | LHLDWQ004YBE0 | Purse lock L | 1 | AA |

SCRE,NUTS AND WASHERS

| | | | | |
|------|---------------|--------------------|----|----|
| 7- 1 | XCBWW30P08000 | Screw : 3mm x 8mm | 6 | AB |
| 7- 2 | XBPS730P28KS0 | Screw : 3mm x 28mm | 2 | AB |
| 7- 3 | XNES730-24000 | Nut : 3mm x 2.4mm | 4 | AE |
| 7- 4 | LX-BZA130WRE0 | Special screw | 1 | AD |
| 7- 5 | LX-BZA116WRE0 | Special screw | 2 | AD |
| 7- 6 | LX-BZA041WRE0 | Special screw | 2 | AA |
| 7- 7 | LX-BZA132WREZ | Special screw | 4 | AB |
| 7- 8 | LX-BZA138WREZ | Special screw | 11 | AB |
| 7- 9 | LX-BZA139WREZ | Special screw | 1 | AA |
| 7-10 | LX-EZA004WRE0 | Special screw | 2 | AA |
| 7-11 | XOTS740P06000 | Screw : 4mm x 6mm | 1 | AA |
| 7-12 | LX-NZ0082WRE0 | Special nut | 1 | AA |
| 7-13 | LX-BZA152WREZ | Special screw | 1 | AB |
| 7-14 | LX-BZA164WREZ | Special screw | 12 | AC |
| 7-15 | LX-CZA095WREZ | Special screw | 3 | AB |
| 7-16 | LX-WZA035WRE0 | Special washer | 1 | AB |
| 7-17 | XOTS740P10RV0 | Screw : 4mm x 10mm | 3 | AB |
| 7-18 | XOTS740P08000 | Screw : 4mm x 8mm | 6 | AA |
| 7-19 | XCHWW40P08000 | Screw : 4mm x 8mm | 2 | AB |
| 7-20 | XBPS730P50K00 | Screw : 3mm x 50mm | 2 | |
| 7-21 | XJPS740P10000 | Screw : 4mm x 10mm | 3 | AA |
| 7-22 | XOTWW40P08000 | Screw : 4mm x 8mm | 32 | AB |
| 7-23 | LX-BZA169WREZ | Special screw | 4 | AC |

HOW TO ORDER REPLACEMENT PARTS

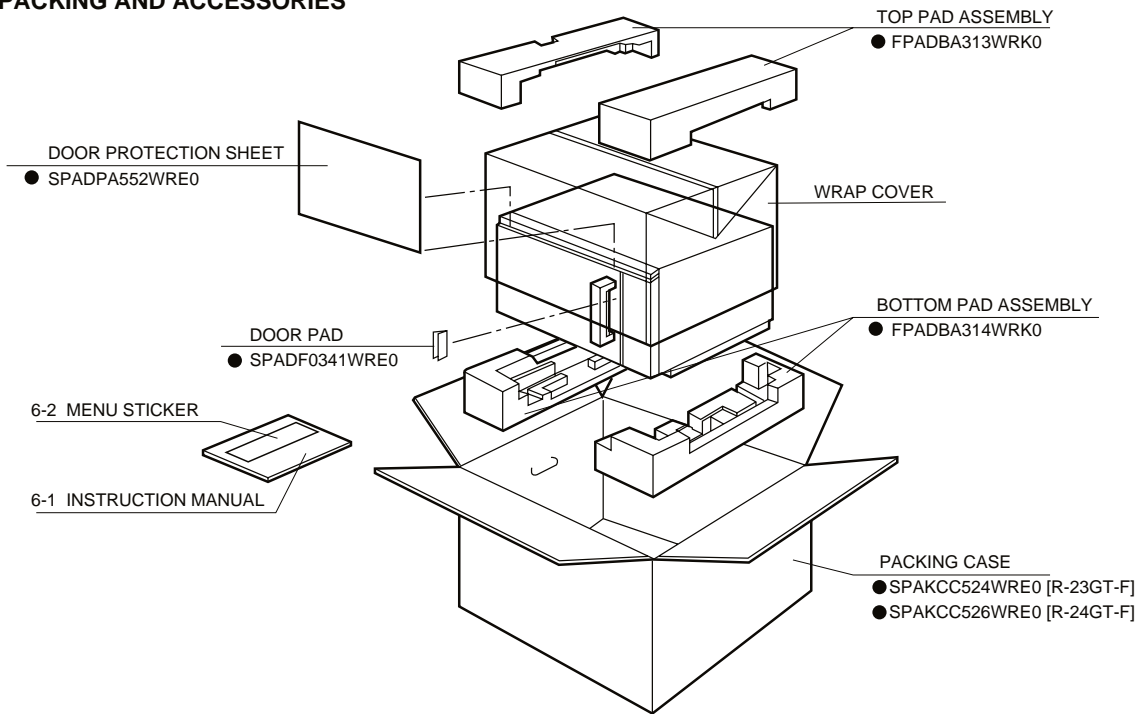
To have your order filled promptly and correctly, please furnish the following information.

1. MODEL NUMBER 2. REF. NO. 3. PART NO. 4. DESCRIPTION

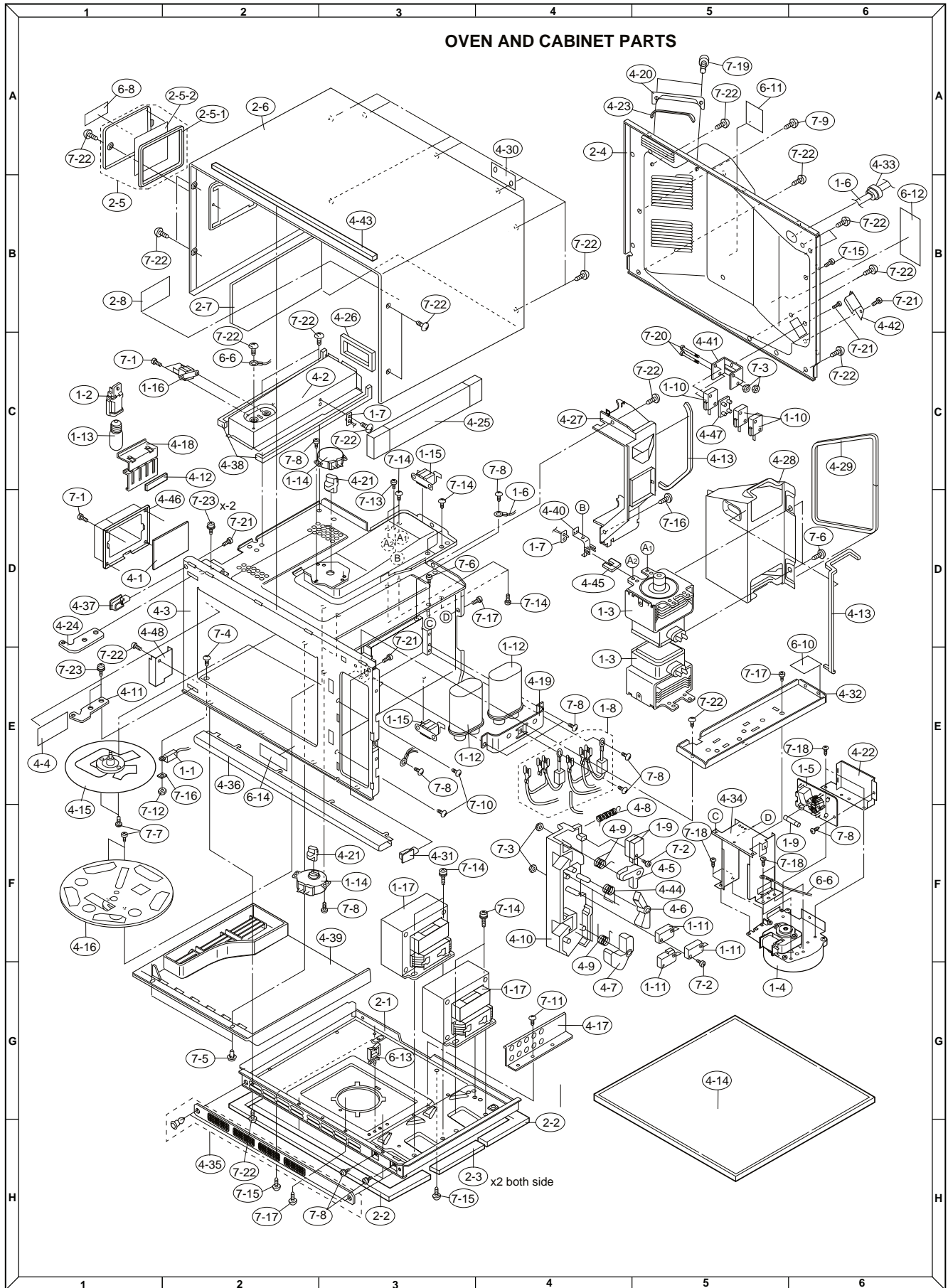
Order Parts from the authorized SHARP parts Distributor for your area.

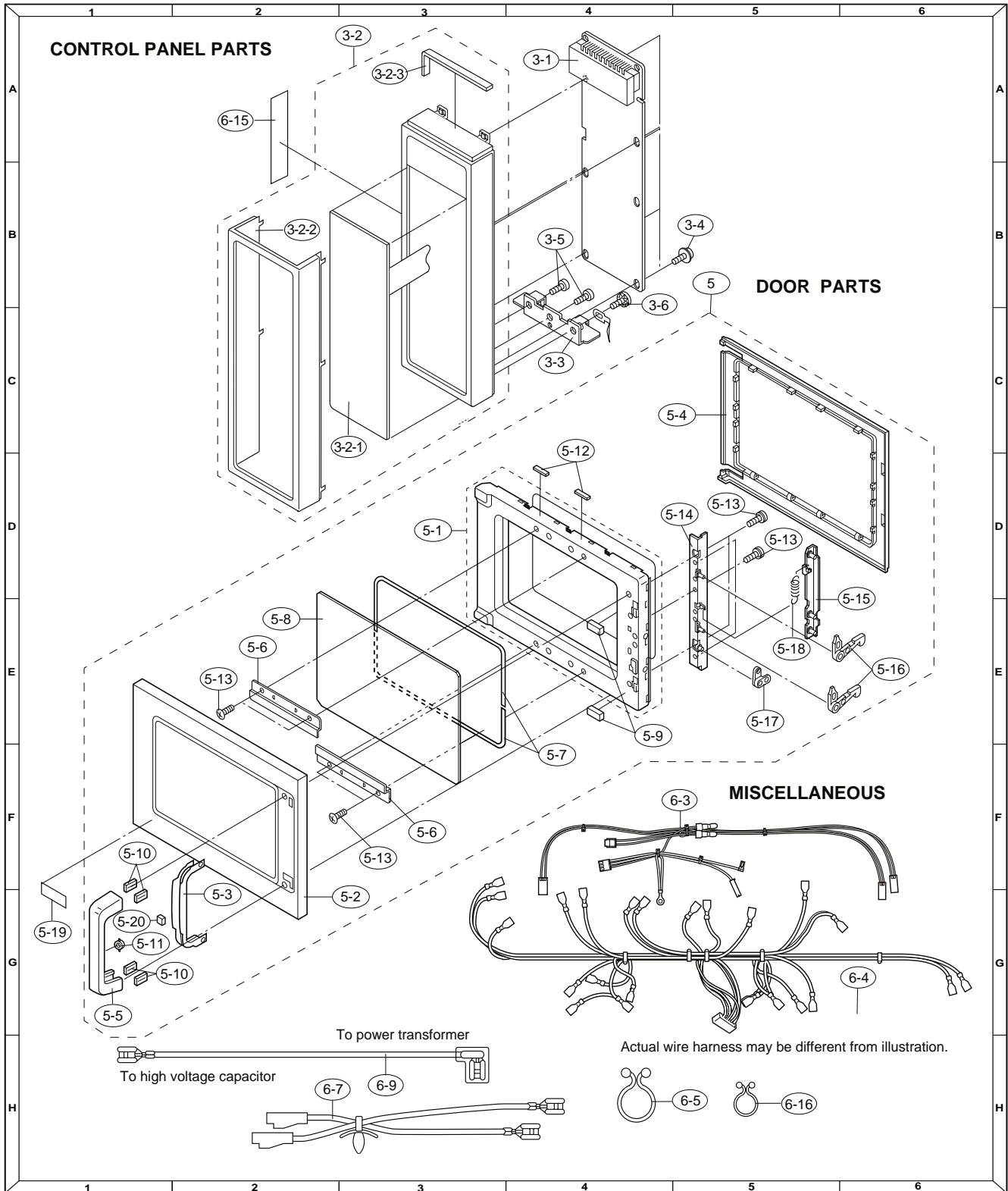
Defective parts requiring return should be returned as indicated in the Service Policy.

PACKING AND ACCESSORIES



● Not replaceable items.





COPYRIGHT © 2005 BY SHARP CORPORATION

ALL RIGHTS RESERVED.

No part of this publication may be reproduced, stored in retrieval systems, or transmitted in any form or by any means, electronic, mechanical, photocopying, recording, or otherwise, without prior written permission of the publisher.