

262.628.5600 | 800.558.8722
spsales@server-products.com

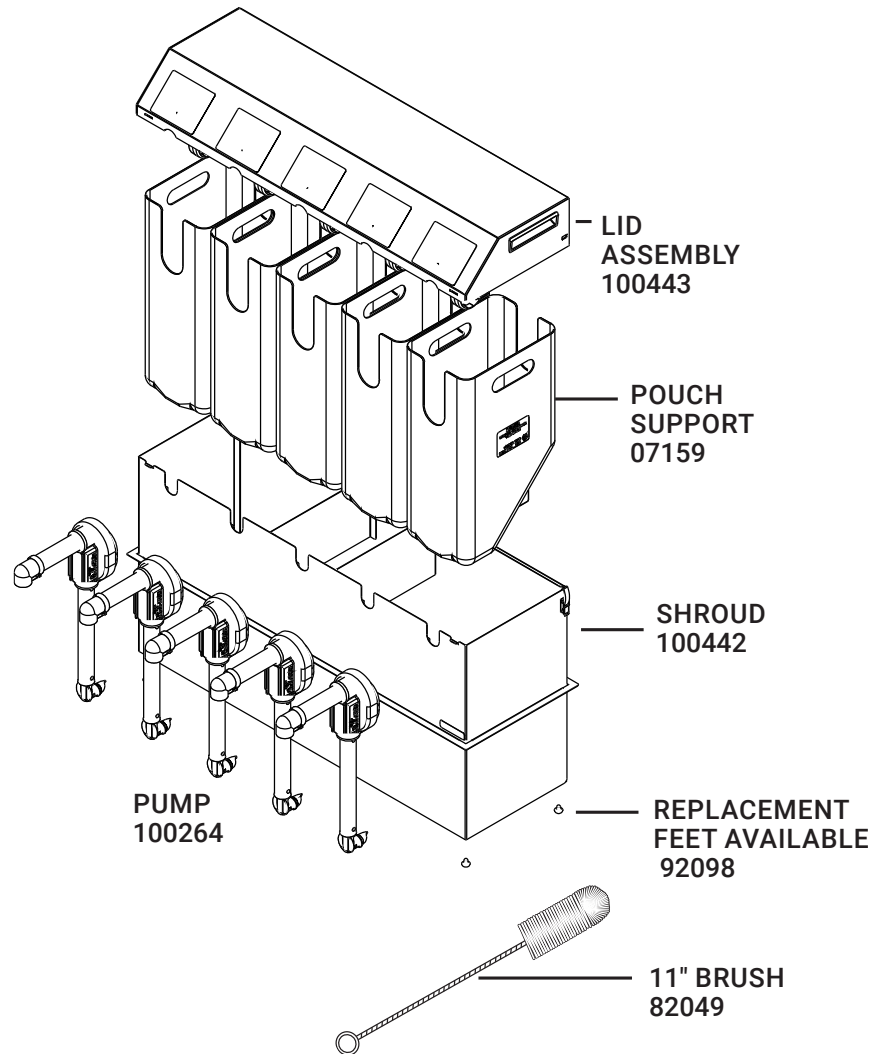
100446

Touchless Express

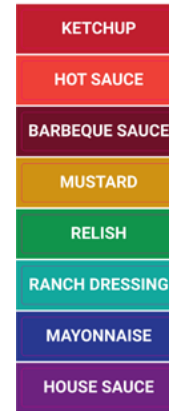


SE-5-TDI 100446 - US
Quintuple Drop-In

Complete View for Reference



FLAVOR DECAL SHEET 100246



POWER SUPPLY/CORD 100273 (100-240V NEMA 5-15)



SENSOR DIVIDER KIT 100580 (2) (SHOWN WITH FLAVOR DECAL INSTALLED)

