



SERVER

Server Products, Inc.
3601 Pleasant Hill Road PO Box 98
Richfield WI 53076 USA
Direct | 262.628.5600 Toll Free | 800.558.8722
www.server-products.com

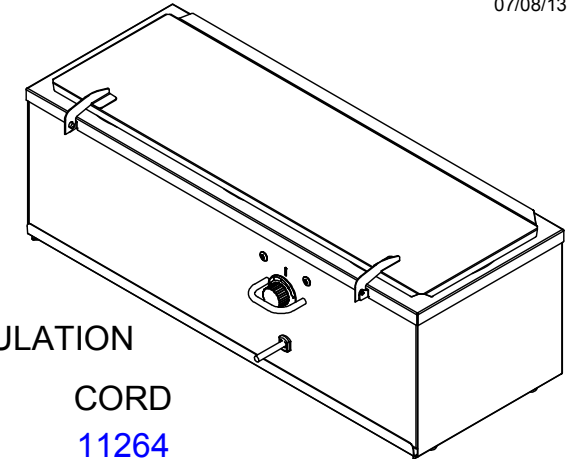
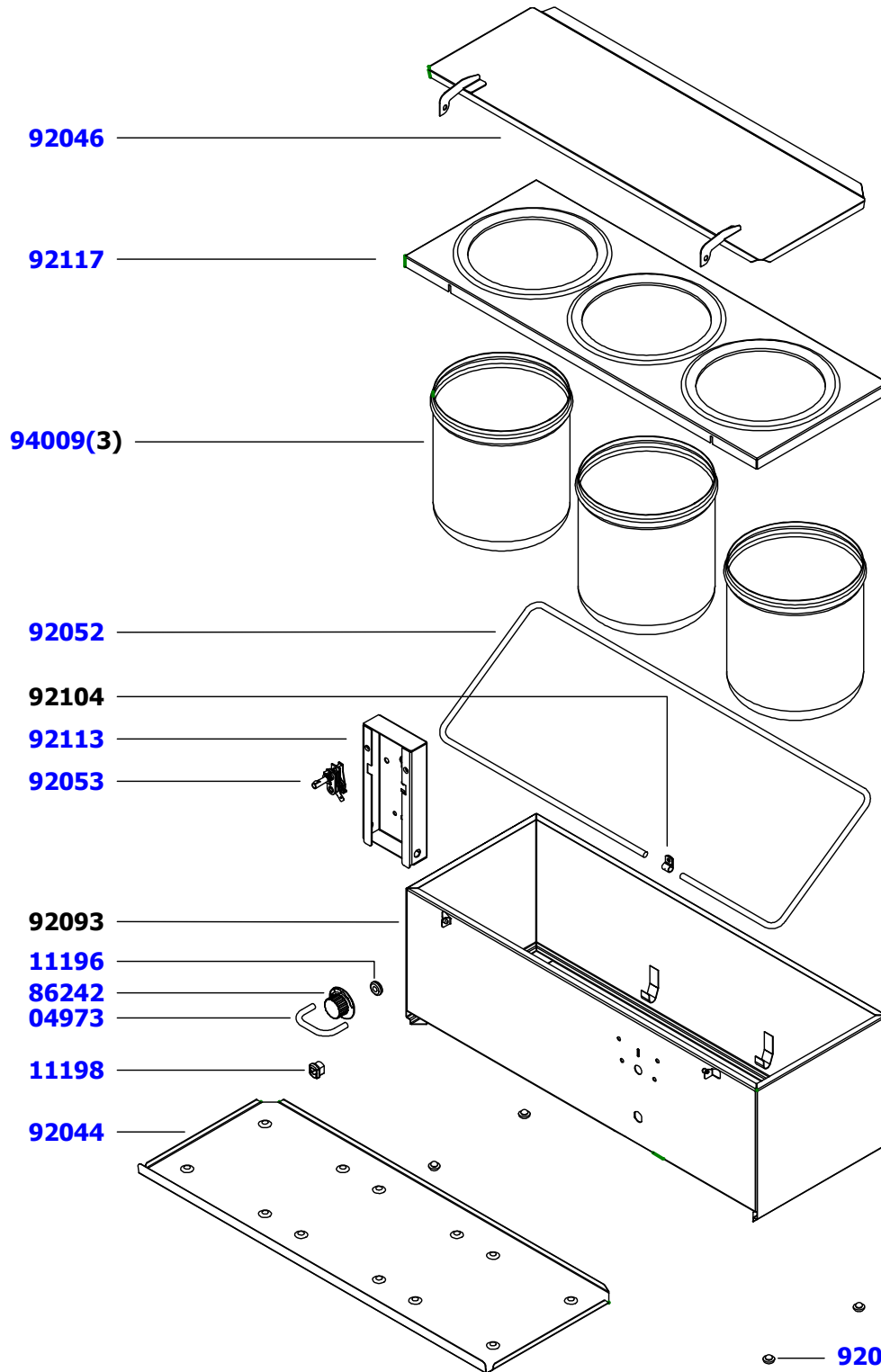
Model Name

TRIPLE DIP SERVER DI-3 (230V)

Model Number

92050

Dwg. Date
07/08/13



FINAL & CORD TABULATION

COUNTRY	FINAL	CORD
CONT EURO	92050	11264
AUST	92090	11266
UK	92250	11291

PART	QTY	DESCRIPTION
04973	1	GUARD, KNOB
11196	1	GROMMET, 1/4, RUBBER
11198	1	BUSHING, STRAIN RELIEF
11264	1	CORD ASSEMBLY (CONT EURO)
86242	1	KNOB, THERMOSTAT
92044	1	BOTTOM, REMOVABLE
92046	1	LID ASSEMBLY
92052	1	ELEMENT, HEATING, 230V 180W
92053	1	THERMOSTAT, 38C (THERMOSTAT KIT #55053 FOR SERIES 81 TO PRESENT)
92093	1	BODY ASSEMBLY
92098	4	FOOT, RUBBER, BUTTON
92104	1	CLAMP, GROUND
92113	1	GUARD, WIRE
92117	1	TOP, DI-3
94009	3	JAR, STNLS