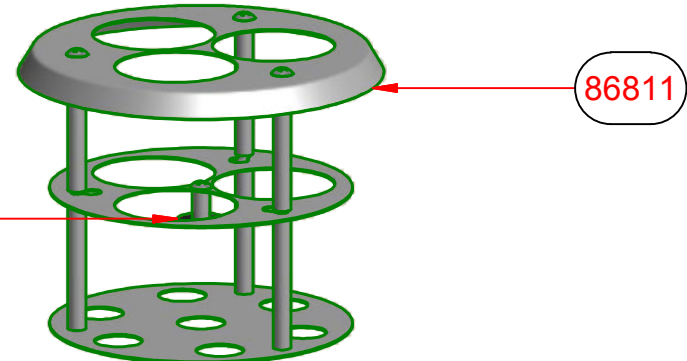
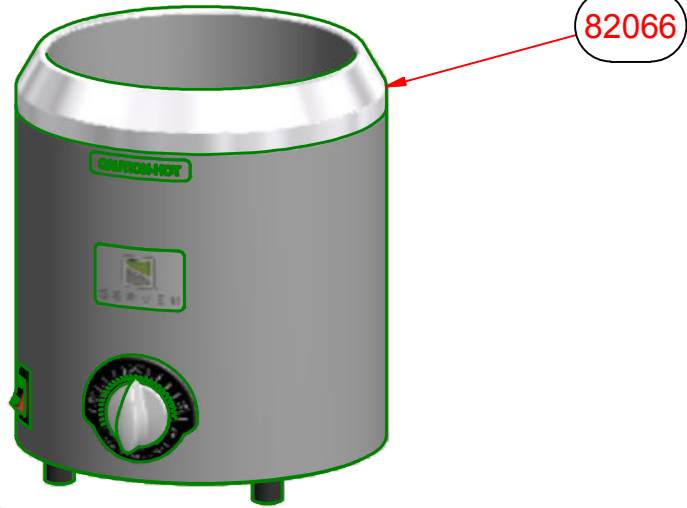


86809 (3)



86811

86817



82066



81048



APPD BY		MATERIAL:	
CKD BY		TOLERANCES UNLESS OTHERWISE SPECIFIED	# 2898
DRAWN BY	DCK	FRAC ±1/64 DEC .00=±.01 .000=±.005 ANG ±1°	
DATE	10/06/05	<b>Server Products, Inc</b> RICHFIELD, WI 53076 USA 800-558-8722	
SCALE	FULL	PART NAME	SIZE DWG NO.
		SIGNATURE TOUCH SBW	B 86810