

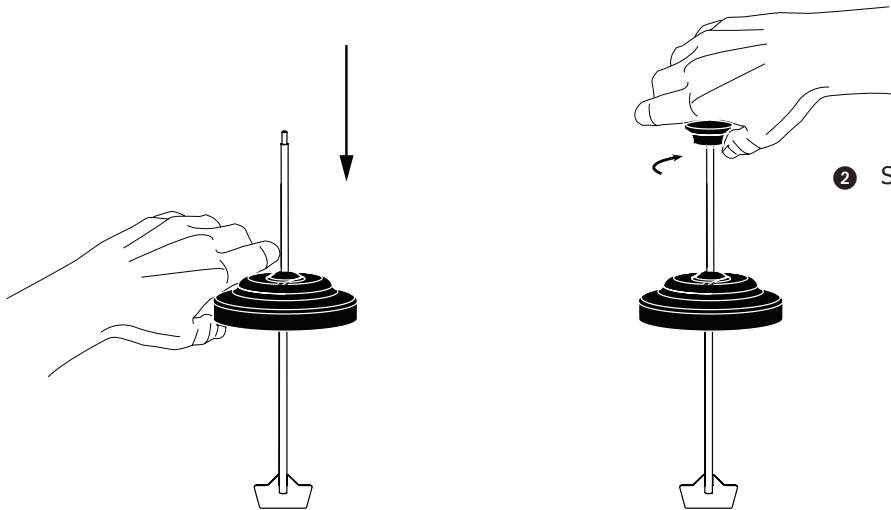
ASSEMBLING STIR PADDLE ACCESSORY



S E R V E R

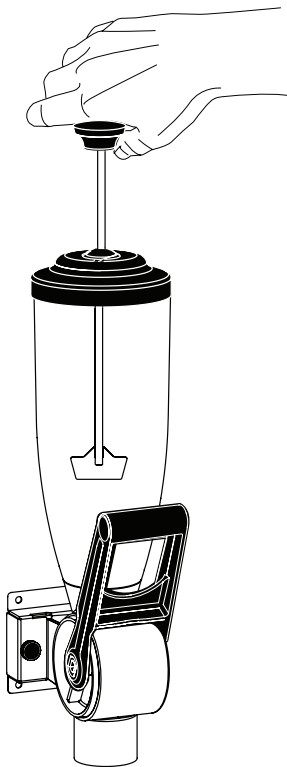
Dry Product Dispenser
Stir Paddle Accessory
Stock No. **86587** 1-Liter,
86596 2-Liter

- 1 Install lid onto stir paddle shaft.

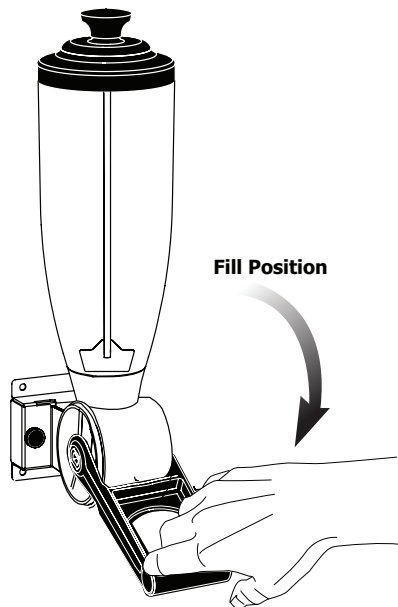


- 2 Screw knob onto shaft threads.

- 3 Place stir paddle into unit. Lift knob up and down to free clumped product.



- 4 After freeing clumped product, lower handle to flow product into dispenser chamber.



- 5 Raise handle to dispense product.

