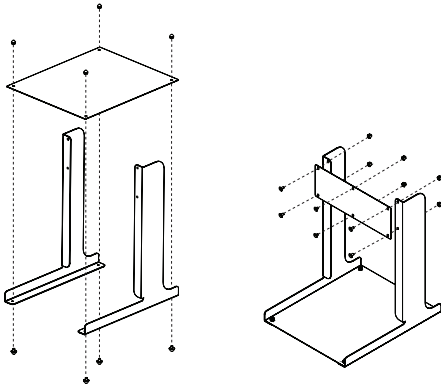


Set up

Always clean unit thoroughly before each use.

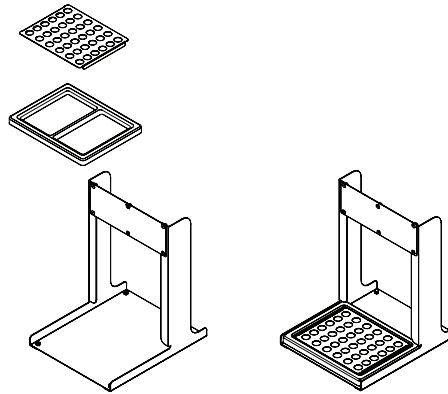
- Place bottom panel on top of right and left leg flange. Secure panel with 4 feet screws and hex cap nuts.
- Attach mounting bracket panel on front of stand, using 1/4" screws in two center holes of panel and 5/16" screws for all remaining holes, secure with hex cap nuts.
- Place drip tray cover on the drip tray.
- Place the drip tray on the bottom panel.



Cleaning

After use daily, clean unit per the following instructions:

- Wash with dish washing detergent and warm water, rinse thoroughly.
- Do not use abrasive cleansers, scrapers, steel pads, steel wool, or other cleaning tools that can scratch surfaces.
- Sanitize parts following your local sanitization requirements.
- All parts in contact with food must be sanitized.
- Allow parts to fully air dry after sanitization.



S E R V E R

Dry Products Stand
Stock No. 86561



Server Products Inc.
3601 Pleasant Hill Road
Richfield, WI 53076 USA



(800) 558-8722



(262) 628-5110



spsales@server-products.com



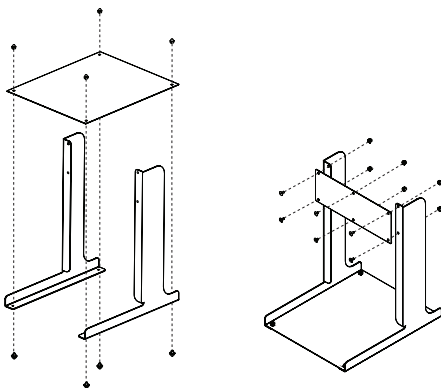
www.server-products.com

Part #	Description
86562	Drip Tray
86563	Drip Tray Cover
86564	Panel, Mounting Bracket
86565	Panel, Bottom
86566	Leg, Stand RH
86567	Leg, Stand LH
86568	Hardware

Set up

Always clean unit thoroughly before each use.

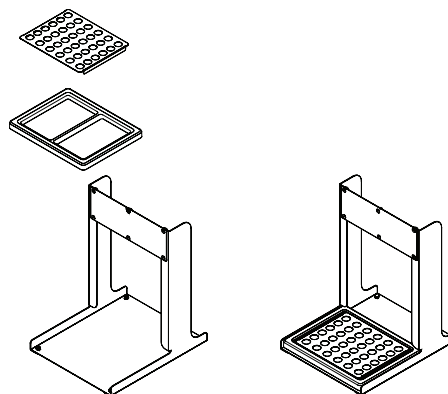
- Place bottom panel on top of right and left leg flange. Secure panel with 4 feet screws and hex cap nuts.
- Attach mounting bracket panel on front of stand, using 1/4" screws in two center holes of panel and 5/16" screws for all remaining holes, secure with hex cap nuts.
- Place drip tray cover on the drip tray.
- Place the drip tray on the bottom panel.



Cleaning

After use daily, clean unit per the following instructions:

- Wash with dish washing detergent and warm water, rinse thoroughly.
- Do not use abrasive cleansers, scrapers, steel pads, steel wool, or other cleaning tools that can scratch surfaces.
- Sanitize parts following your local sanitization requirements.
- All parts in contact with food must be sanitized.
- Allow parts to fully air dry after sanitization.



S E R V E R

Dry Products Stand
Stock No. 86561



Server Products Inc.
3601 Pleasant Hill Road
Richfield, WI 53076 USA



(800) 558-8722



(262) 628-5110



spsales@server-products.com



www.server-products.com

Part #	Description
86562	Drip Tray
86563	Drip Tray Cover
86564	Panel, Mounting Bracket
86565	Panel, Bottom
86566	Leg, Stand RH
86567	Leg, Stand LH
86568	Hardware