

**SERVER**

**Server Products, Inc.**  
 3601 Pleasant Hill Road PO Box 98  
 Richfield WI 53076 USA  
 Direct | 262.628.5600 Toll Free | 800.558.8722  
 www.server-products.com

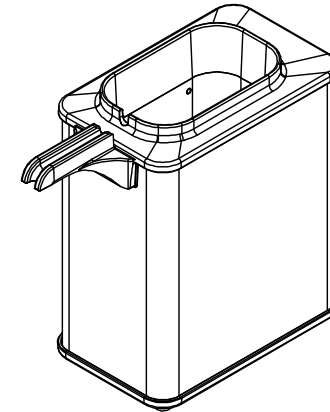
Model Name

**BASE ONLY FOR EZ TOPPER, TALL, SGL**

Model Number

**85990**

Dwg. Date



PART	QTY	DESCRIPTION
11191	1	BUSHING, 15/32 HOLE, OPEN/CLOSED
11201	1	BUSHING, STRAIN RELIEF, 18/3
11642	1	CORD ASSEMBLY, 18GA
40263	1	SWITCH, LIGHTED ROCKER, 125V
81058	4	FOOT, W/SCREW
85847	1	GASKET, EZT
85923	1	KIT, THERMAL CUT OUT, 117C, JEN-TER
85981	1	BASE, EZ TOPPER SINGLE
85982	1	TOP, EZ TOPPER, SINGLE
85984	1	THERMOSTAT, PEPI ASSEMBLY
85985	1	PLATE, BASE
85986	1	SHROUD ASSEMBLY
85988	2	BRACKET, LINK
85991	1	INSULATOR, TERMINAL BOARD
85992	1	BOARD, TERMINAL, LOW PROFILE
85994	1	VESSEL ASSEMBLY, ALUMINUM, 9.03 DP
85997	1	BLOCK, HEATER ASSEMBLY, 7W 120V