



SERVER

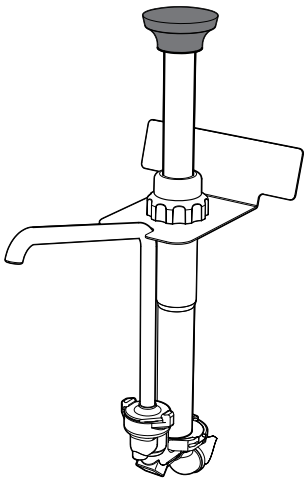
**Server Products Inc.**  
3601 Pleasant Hill Road  
Richfield, WI 53076 USA

262.628.5600 | 800.558.8722

SPSALES@SERVER-PRODUCTS.COM

# 85050

## Fudge Pump Server Advantage



Complete View  
for Reference

PART	QTY	DESCRIPTION
82023-000	1	KNOB, BLACK
82106	1	LOCKING COLLAR
82022	3	GAGING COLLAR- .25 OZ REDUCTION
83529	1	GAGING COLLAR- .125 OZ REDUCTION
82017	1	HEAD TUBE
82018	1	HEAD INSERT
82016	1	SPRING, 7"
82015	1	WASHER
82013	1	PISTON, 6.308
83003	1	SEAL ASSEMBLY
85042	1	LID
85065	1	DISCHARGE ASSEMBLY TUBE, FP
05127	1	O-RING, 1"
88554	1	CYLINDER ASSEMBLY
88554	1	SILICONE GASKET
85038	1	BODY, VALVE ASSEMBLY
40179	1	FOOD EQUIPMENT LUBRICANT
82049	1	BRUSH, 11"
82526	1	BRUSH, 21"

