



SERVER

SERVE BETTER™

01697-REVB_100214_ENGLISH



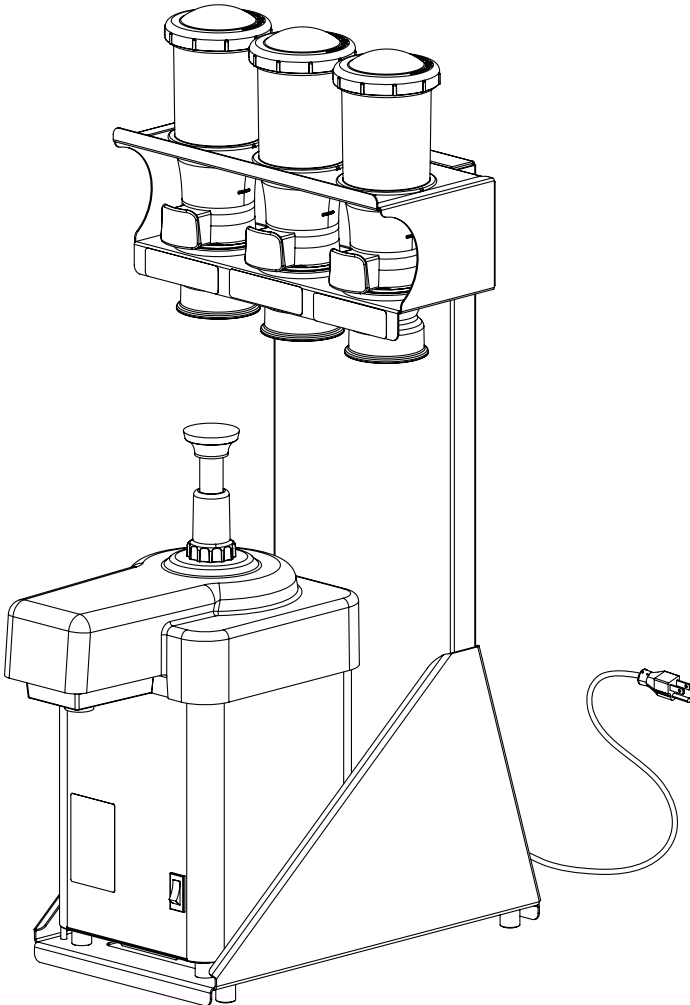
KIT 80091

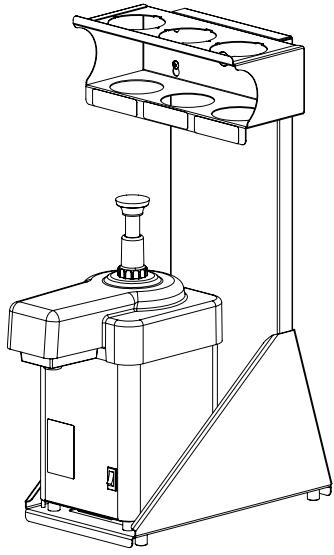
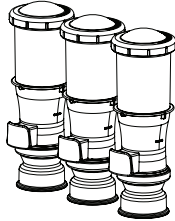
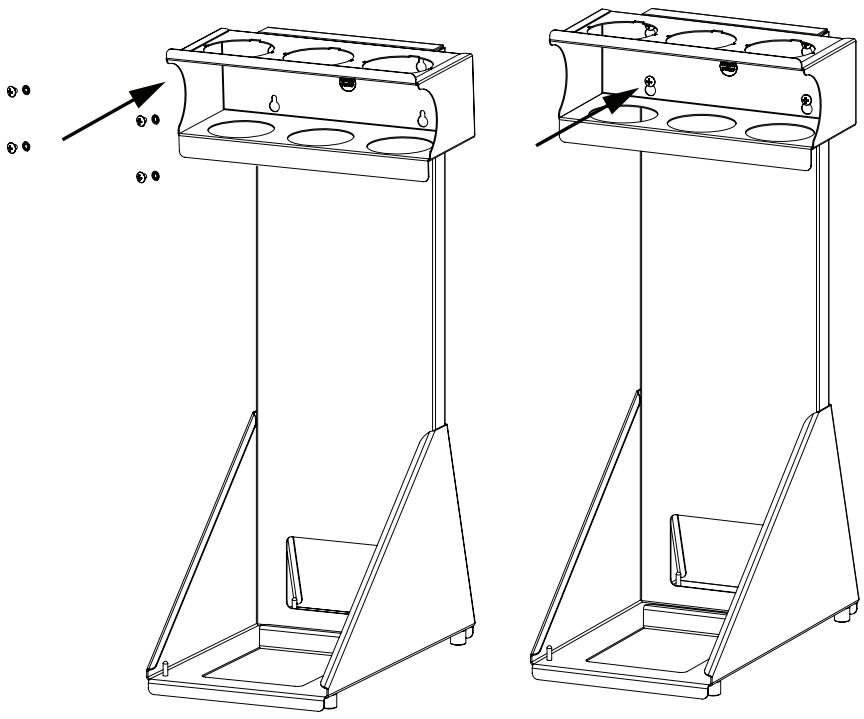
KIT, BEVERAGE STATION (CHICK-FIL-A)

120V

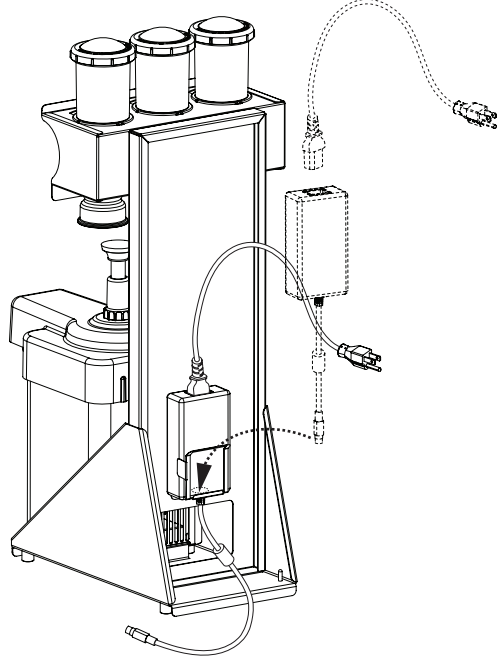
Series 13H

EZ-CREAM™ and INSWEETEN™





Insert Power Supply Inside Bracket



SAFETY GUIDELINES WHEN USING THIS UNIT:

According to food and safety regulations, most foods must be stored and/or served at certain temperatures or they could become hazardous. Check with local food and safety regulators for specific guidelines.

Be aware of the product you are serving and the temperature the product is required to maintain. Server Products, Inc. can not be responsible for the serving of potentially hazardous product.

Server Products Inc. claims no responsibility for actual serving temperature of product. It is the responsibility of the user to ensure that any product is held and served at a safe temperature.

Stainless steel is one of the best materials for food serving and storage, but there are many products which can corrode it. If you notice corrosion beginning on any stainless steel surface, you may need to change the cleansing agent, sanitizing agent, or the cleaning procedures you are using.

- Products containing: acids, alkalines, chlorine, or salt can corrode stainless steel.
- Sauerkraut and Au Jus sauces corrode stainless steel. Server Products, Inc. regrets that we can not honor Warranty claims on stainless steel parts that have been affected by sauerkraut or Aus Jus.

UNIT CLEANING

BEFORE FIRST USE AND AFTER USE DAILY OR REGULARLY, DISASSEMBLE AND CLEAN PARTS. FOR SAFE AND PROPER CARE, AND TO PREVENT CORROSION, OF PARTS, IT IS IMPORTANT TO CLEAN, RINSE, SANITIZE, AND DRY PARTS DAILY OR REGULARLY. FAILURE TO COMPLY WITH ANY OF THESE INSTRUCTIONS MAY VOID UNIT WARRANTY.

- 1** WASH ALL PARTS WITH DISHWASHING DETERGENT AND HOT WATER. RINSE THOROUGHLY AND DRY WITH A CLEAN SOFT CLOTH.
 - A general purpose, nonabrasive cleaner may be used on hard to remove food deposits.
 - A mildly abrasive NYLON or brass brush may be used to remove any stubborn food or mineral deposits on interior surfaces of unit.
 - Do not use abrasive cleansers, scrapers, steel pads, steel wool, or other cleaning tools that can scratch surfaces.
 - Do not use caustic cleansers nor cleansing agents with high concentrations of acid, alkaline or chlorine. These agents can corrode metal parts.
 - Fully rinsing all parts can help prevent corrosion.
 - Various elements and minerals, such as chlorides in tap water, can accumulate on stainless steel parts and create corrosion.
 - To prevent corrosion on any stainless steel parts, it is important to fully dry with a clean soft cloth regularly.
- 2** WIPE EXTERNAL SURFACES OF UNIT WITH A CLEAN DAMP CLOTH. DRY WITH A CLEAN SOFT CLOTH.
 - A nontoxic glass cleaner may be used for cleaning any stainless steel parts and lid.
- 3** SANITIZE ALL PARTS FOLLOWING LOCAL SANITIZATION REQUIREMENTS. ALL PARTS IN CONTACT WITH FOOD MUST BE SANITIZED.
 - Allow parts to fully air dry after sanitization.

GENERAL SERVICE, REPAIR, OR RETURNS

Before sending any item to Server Products for service, repair, or return, contact Server Products customer service to request a **Return Authorization Number**. Merchandise must be sent to Server Products with this number.

Merchandise being returned for credit must be in new and unused condition and not more than 90 days old and will be subject to a 20% (percent) restocking charge. Electrical parts (thermostats, heating elements, etc.) are not returnable.

Server Products maintains a fully staffed service department with highly skilled factory trained personnel. Service is extremely prompt. Under normal circumstances, a repaired unit is shipped out the day after it is received. Labor charges are reasonable.

SERVICE

Contact your dealer or Server Products Inc. customer service department for the following:

ORDERING REPLACEMENT PARTS

Be prepared to give this information:

- Model Letters/Name/Numbers
- Part Numbers- P/N
- Series Numbers/Letters
- Part Description

This information and other important data is stamped on the lid or cylinder of pumps or on the bottom or back side of every unit.

SERVER PRODUCTS LIMITED WARRANTY

All Server Products equipment is backed by a two-year limited warranty against defects in materials and workmanship. For complete warranty information go to: www.server-products.com



Server Products Inc.

3601 Pleasant Hill Road
Richfield, WI 53076 USA



262.628.5600



800.558.8722



262.628.5110



spsales@server-products.com



www.server-products.com



Model Name

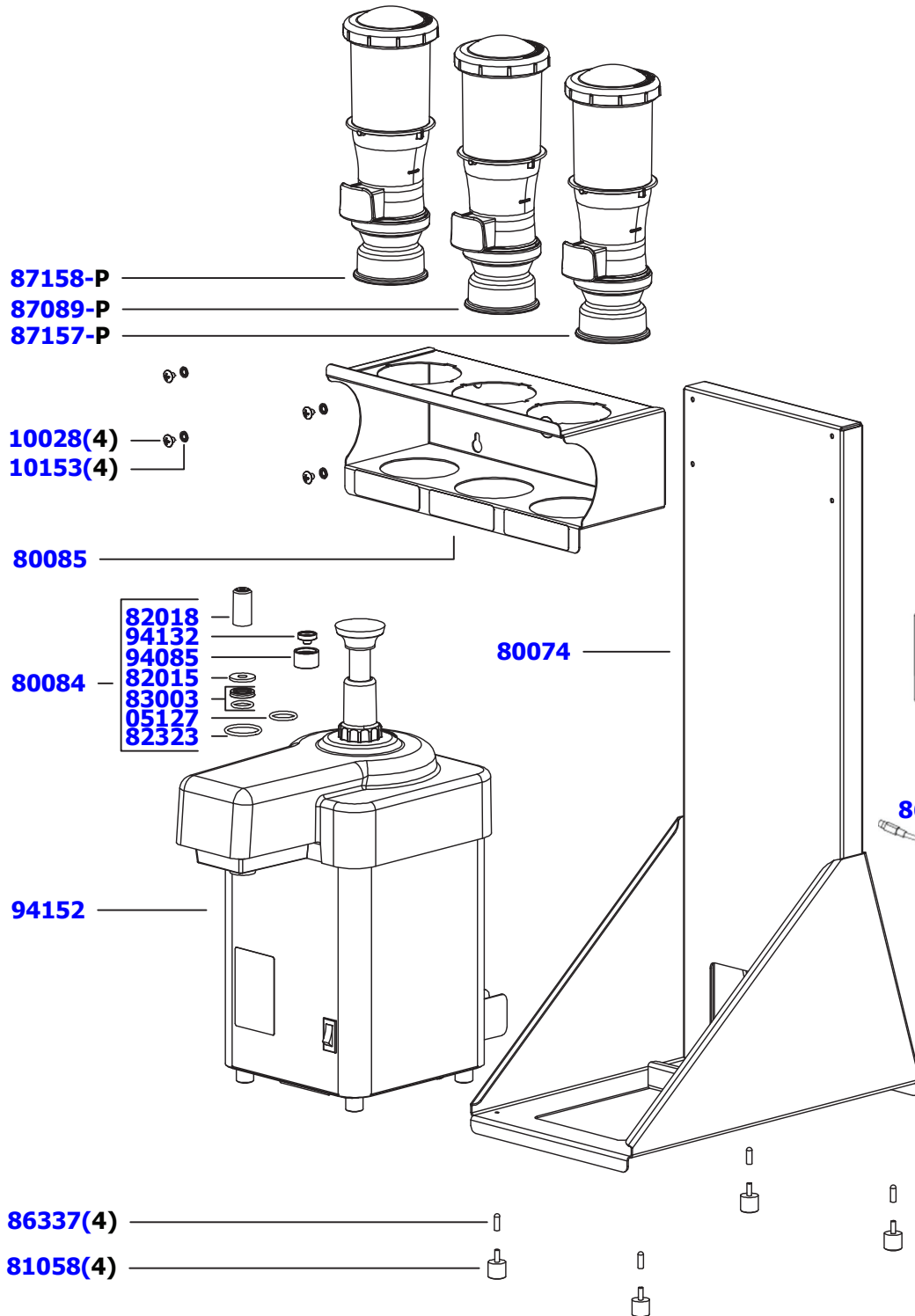
KIT, BEVERAGE STATION (CHICK-FIL-A)

Model Number

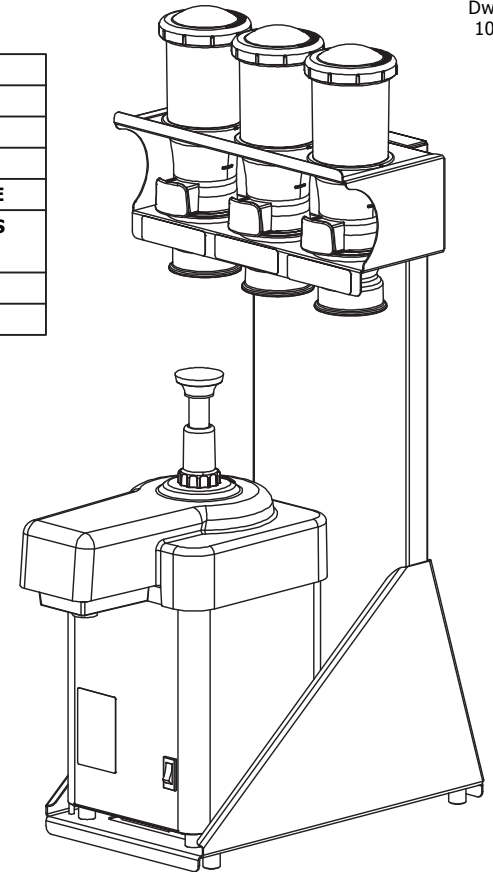
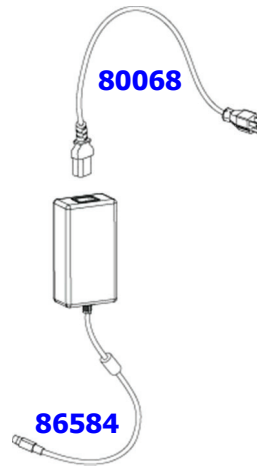
80091

Series
 13H

Dwg. Date
 10/02/14



PART	QTY	DESCRIPTION
05127	2	O-RING, 1", SILICONE
82015	2	WASHER
82018	1	INSERT, HEAD
82323	2	O-RING, 1 5/16", SILICONE
83003	2	SEAL ASSEMBLY: INCLUDES SEAL AND O-RING
94085	1	CAP, FERRULE
94132	1	WASHER, CONE



PART	QTY	DESCRIPTION
10028	4	SCREW, 10-32 X 1/4, PHIL TRUSS HD
10153	4	LOCKWASHER, #10, INTERNAL
80068	1	POWER SUPPLY, 5", 5A, 4 PIN CONN
80074	1	STAND ASSEMBLY, BEVERAGE STATION
81058	4	FOOT, W/SCREW
86337	4	CAP, PROTECTIVE, .125 x .500
80084	1	KIT, SPARE PARTS EZ CREAM
80085	1	SHELF, TRIPLE, BEV STAT, INSWEETEN
80086	1	DECAL SET (3), SWEET STATION
86584	1	CORD, 18GA W/CONNECTOR
87089-P	1	INSWEETEN, 14OZ, .7 TSP,BAGGED,PINK
87157-P	1	INSWEETEN, 14OZ, .7 TSP, BAGGED,WHT
87158-P	1	INSWEETEN, 14OZ, .31 TSP,BAGGED,YEL
94152	1	EZ-CREAM, 3/8 OZ