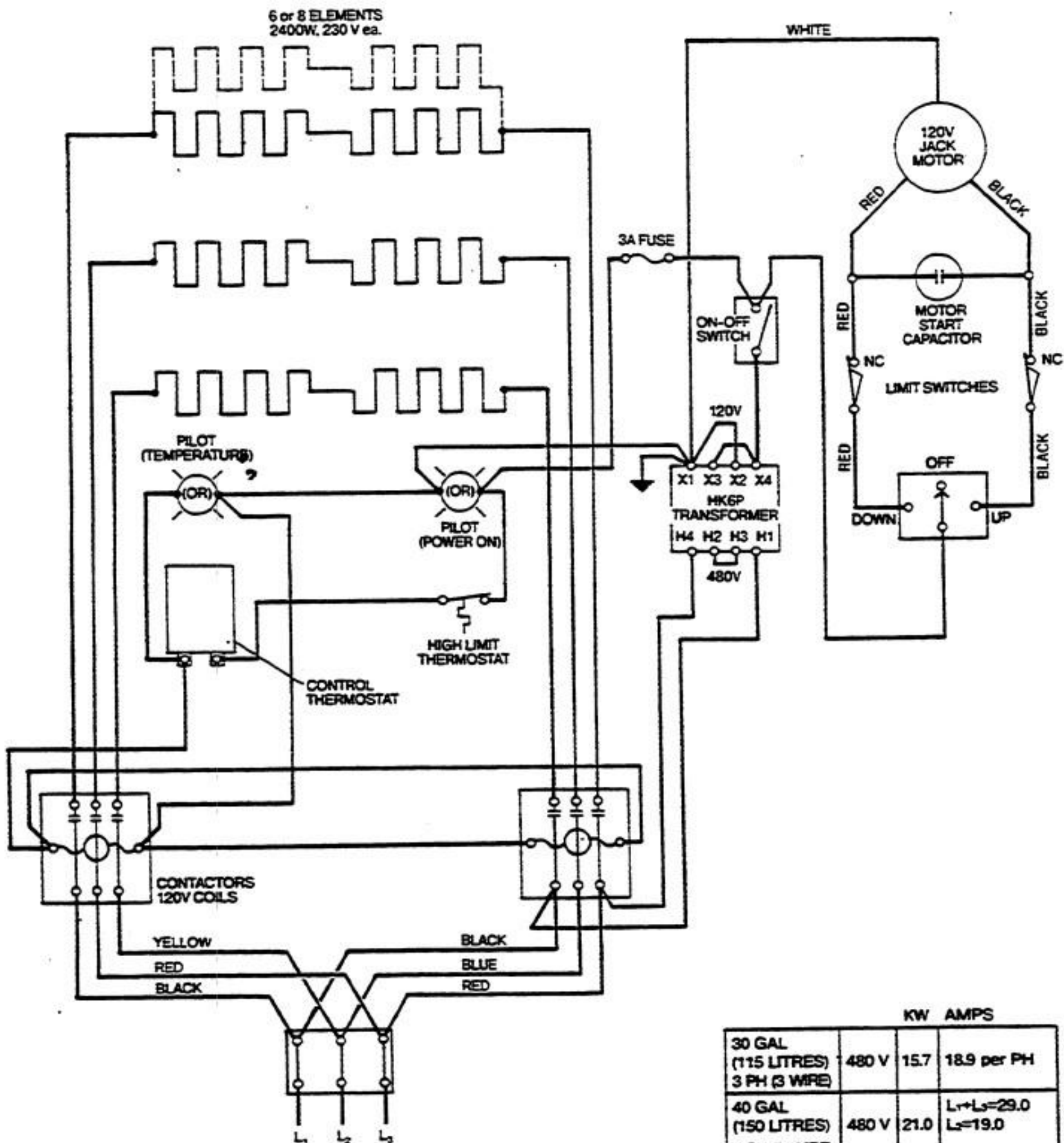


	KW		AMPS	
30 GAL (115 LITRES) 1 PH	208 V	11.8	56.8	
	220 V	13.1	59.6	
	240 V	15.7	65.4	
30 GAL (115 LITRES) 3 PH (3 WIRE)	208 V	11.8	34.5 per PH	
	220 V	13.1	36.0 per PH	
	240 V	15.7	39.3 per PH	
40 GAL (150 LITRES) 1 PH	208 V	15.7	75.7	
	220 V	17.4	79.4	
	240 V	20.9	87.2	
40 GAL (115 LITRES) 3 PH (3 WIRE)	208 V	15.7	L <sub>1</sub> = 43.0	
			L <sub>2</sub> = 41.3	
			L <sub>3</sub> = 50.6	
	220 V	17.4	L <sub>1</sub> = 45.1	
			L <sub>2</sub> = 43.5	
			L <sub>3</sub> = 53.1	
	240 V	20.9	L <sub>1</sub> = 49.2	
			L <sub>2</sub> = 47.7	
			L <sub>3</sub> = 58.0	



	KW AMPS		
30 GAL (115 LITRES) 3 PH (3 WIRE)	480 V	15.7	18.9 per PH
40 GAL (150 LITRES) 3 PH (3 WIRE)	480 V	21.0	L <sub>1</sub> +L <sub>3</sub> =29.0 L <sub>2</sub> =19.0