

WMF Unterstellkühler Milch 9,5l

Ersatzteilkatalog
Spare Parts Catalogue

25.02.2021

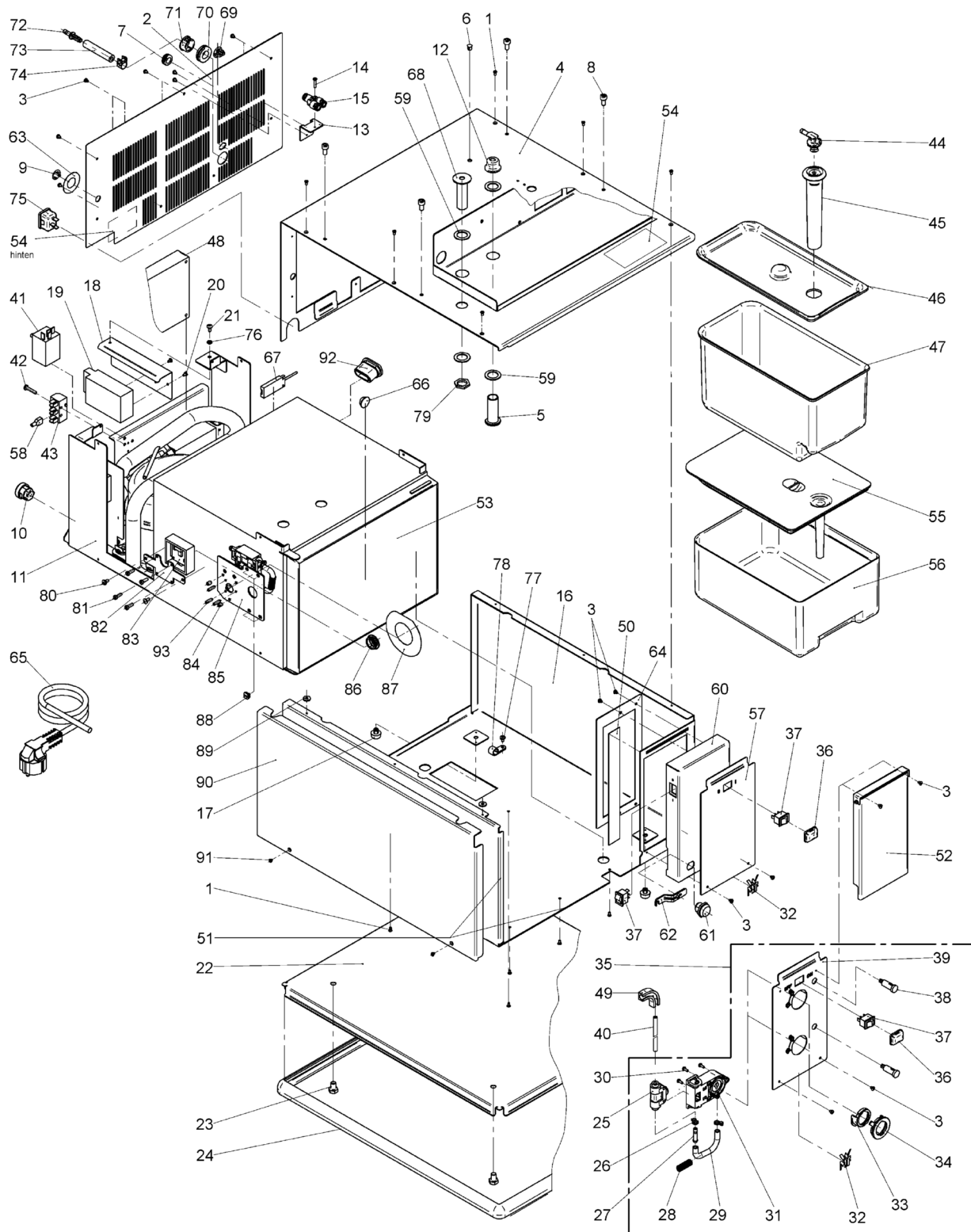


Printed in Germany
Nachdruck, Vervielfältigung oder Übersetzung, auch
auszugsweise, nicht erlaubt

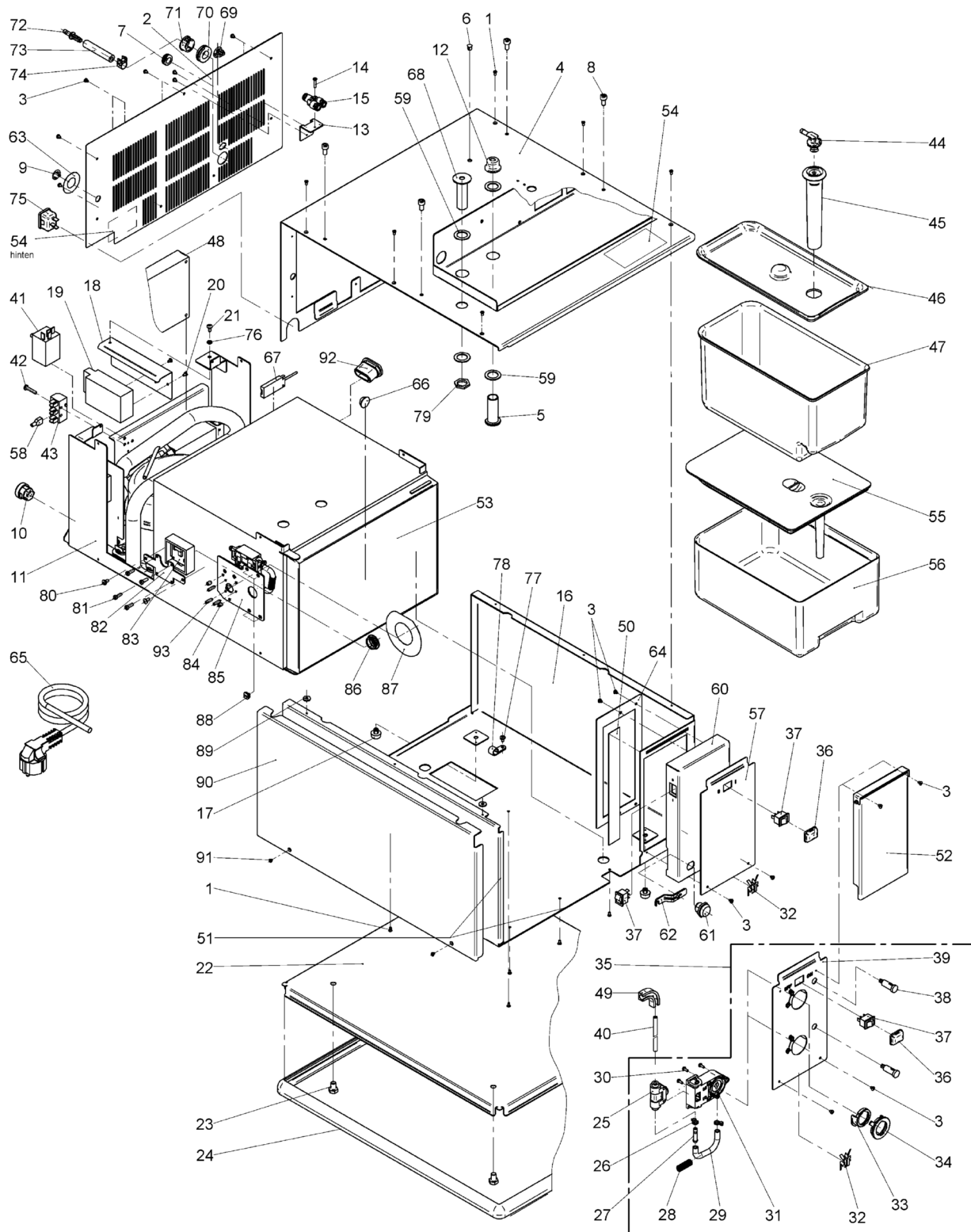
gedruckt / printed: 25.02.2021

WMF Group GmbH
Eberhardstraße 35
D-73312 Geislingen/Steige
info@wmf-group.com
www.wmf-group.com

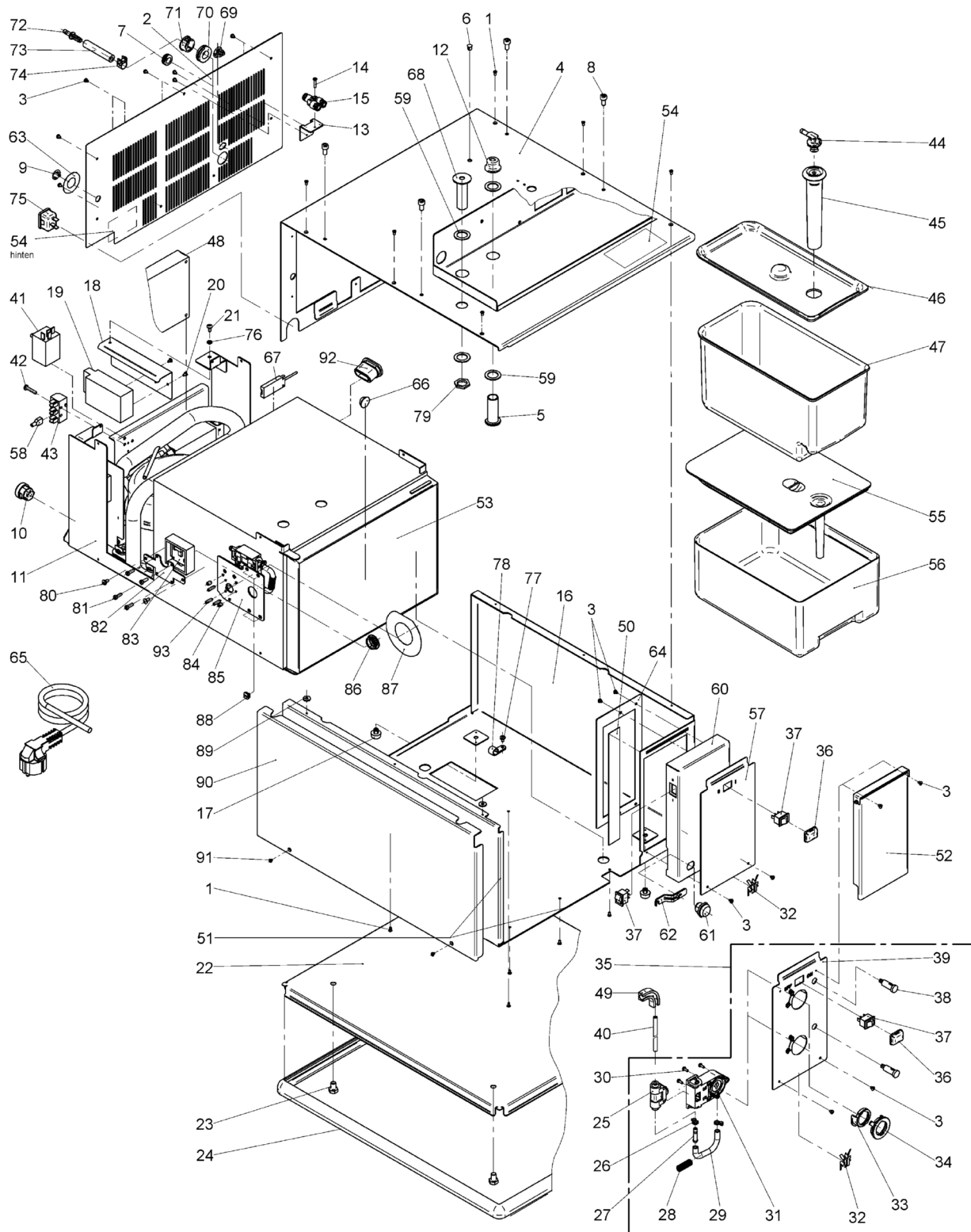
| Blatt Sheet | Bezeichnung | Designation | Seite Page |
|------------------------|--|--|-----------------------|
| 200 | Unterstellkühler 2008 bis 02/2016 | Under machine cooler 2008 until 02/2016 | 2 |
| 201 | Unterstell-Untertheckenkühler Vitrifrigo | under machine/counter cooler, Vitrifrigo | 14 |



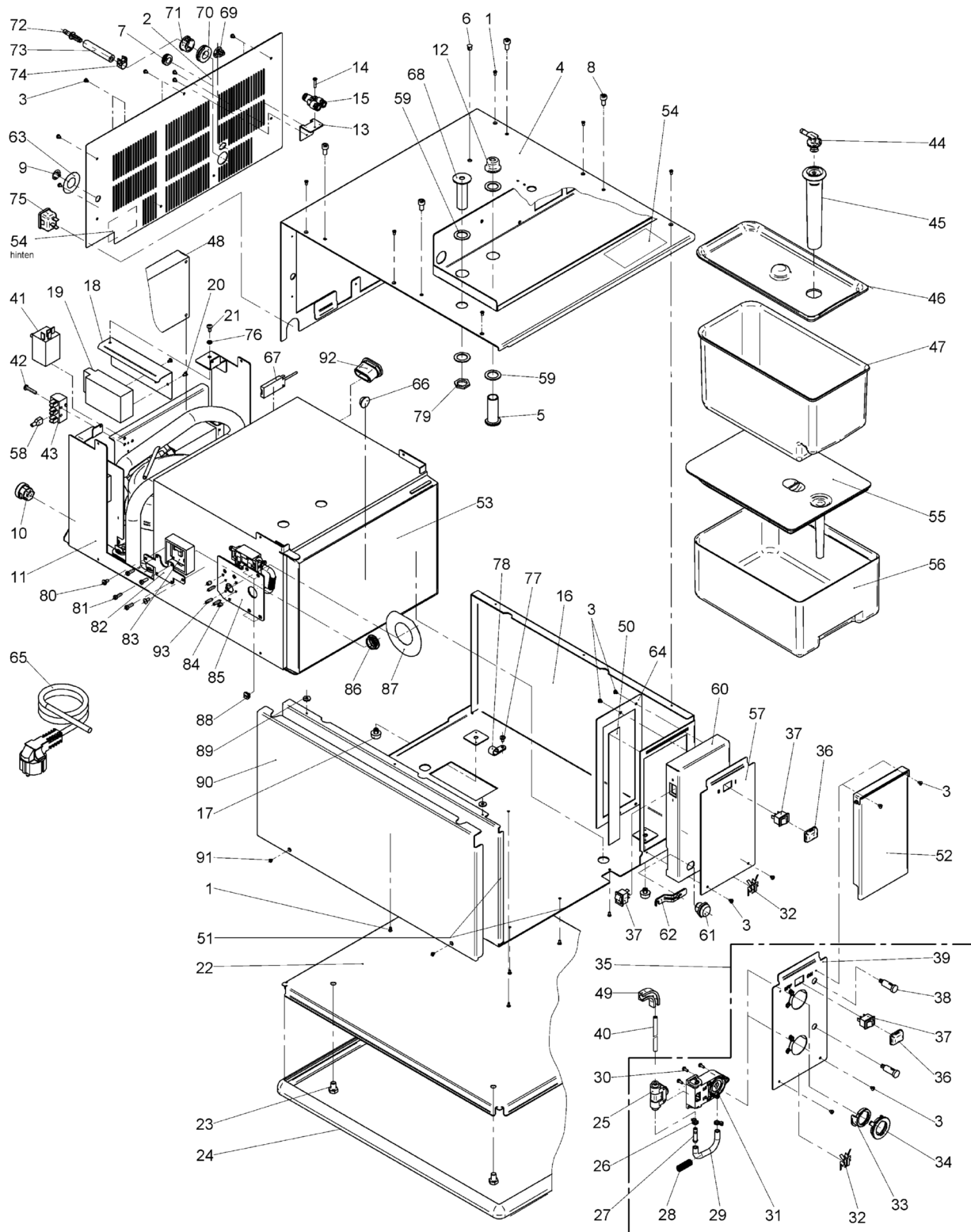
| Pos. | Art.-Nr. Art. no. | Bezeichnung Tech-Info Service-Info | Designation Tech-Info Service-Info | EA1 | EA2 |
|------|----------------------|--|---|-----|-----|
| 1 | 00.0047.3105 | Senkschraube ISO 7046-2-M 3x 6-1.4301-H | counter sunk screw ISO 7046-2-M 3x 6-1.4 | - | - |
| 2 | 33.2611.7000 | Abdeckung hinten, USK-8000S | cover rear, USK-8000S | - | - |
| 3 | 00.0047.3312 | Flkpf-Schraube ISO 7045-M 3x 4-A2-H | pan head screw ISO 7045-M 3x 4-A2-H | - | - |
| 4 | 33.2877.8000 | Deckel USK-8000S, kpl. | lid USK-8000S, compl. | - | - |
| 5 | 33.2142.2200 | Verschraubung, 2 Schlauch, kurz | threaded connector, 2 hose, short | - | - |
| 6 | 33.1246.4000 | Abdeckkappe | cap | - | - |
| 7 | 33.0630.4000 | Durchführungstülle | rubber funnel | - | - |
| 8 | 00.0047.1098 | Zylinderschraube ISO 4762-M 4x 6-1.4301 USK 2008 | cheese head screw ISO 4762-M 4x 6-1.4301 USK 2008 | - | - |
| 8 | 00.0047.1181 | Zylinderschraube ISO 4762-M 6x12-1.4301 | cheese head screw ISO 4762-M 6x12-1.4301 | - | - |
| 9 | 33.1504.0000 | Kappe | cap | - | - |
| 10 | 33.2264.4100 | Kabeldurchführung | cable pass-through | - | - |
| 11 | 33.2313.2000 | Anlasskondensator 230 V | starting capacitor 230 V | - | - |
| 11 | 33.4131.5000 | Relais 230V nur Ersatzteil | relay 230V only spare part | - | - |
| 12 | 33.2540.2000 | Kappe bis 2010 | cap through 2010 | - | - |
| 12 | 33.9510.0000 | Mutter USK 8000S | nut USK 8000S | - | - |
| 13 | 33.2365.9000 | Winkel, Halterung Steckanschluss | angle, holder plug-in connection | - | - |
| 14 | 00.0047.3322 | Flkpf-Schraube ISO 7045-M 3x16-1.4301-H | pan head screw ISO 7045-M 3x16-1.4301-H | - | - |
| 15 | 33.2237.4000 | Steckanschluss Y 6-6-6 | plug-in connection Y 6-6-6 | - | - |
| 17 | 33.2298.8000 | Fuß | foot | - | - |



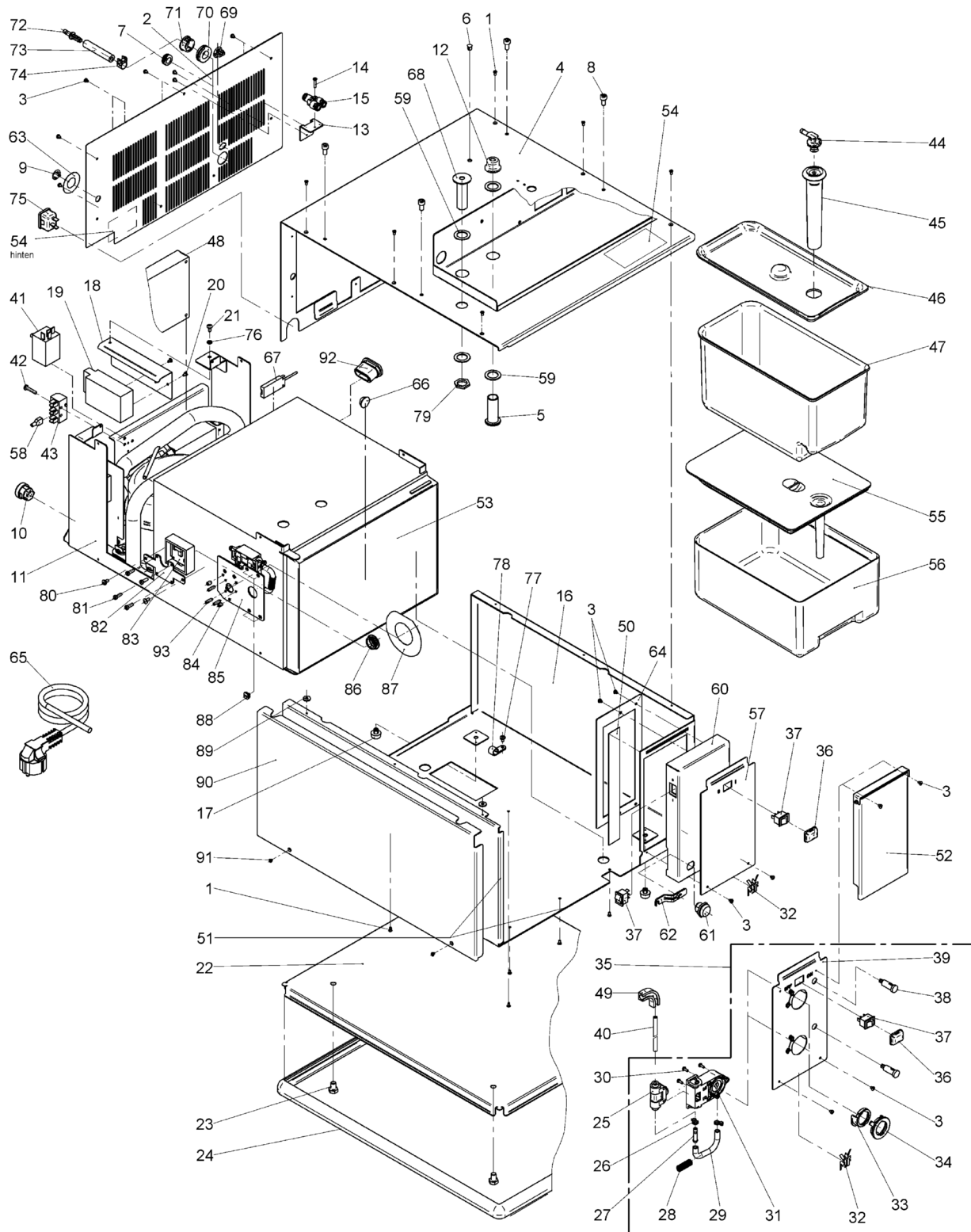
| Pos. | Art.-Nr. Art. no. | Bezeichnung Tech-Info Service-Info | Designation Tech-Info Service-Info | EA1 | EA2 |
|------|------------------------------|--|--|-----|-----|
| 20 | 00.0047.3313 | Flkpf-Schraube ISO 7045-M 3x 5-1.4301-H | pan head screw ISO 7045-M 3x 5-1.4301-H | - | - |
| 21 | 00.0047.3361 | Flkpf-Schraube ISO 7045-M 4x 8-1.4301-H | pan head screw ISO 7045-M 4x 8-1.4301-H | - | - |
| 23 | 00.0047.1408 | Sechskant-Shr. ISO 4017-M 8x12-1.4301 | hexagon-screw ISO 4017-M 8x12-1.4301 | - | - |
| 24 | 33.2612.1000 | Gummi Profilsockel, USK-8000S | rubber profile stand, USK-8000S | - | - |
| 24 | 33.2431.2000 | Gummi, Profilsockel | rubber, profile stand | - | - |
| 25 | 33.2308.6000 | Ventil 2/2 NW4,0 manuell | valve 2/2 NW4.0, manual | - | - |
| 26 | 33.0649.3000 | Kabelbinder | cable clip | - | - |
| 27 | 33.2308.7000 | Nippel, Schlauch | plug, hose | - | - |
| 28 | 33.0190.3000 | Feder | spring | - | - |
| 29 | 00.0048.4948 | Schlauch 5,0x1,5 Silikon transparent 95mm | tube 5,0x1,5 silicone transparent 95mm | - | - |
| 30 | 00.0047.3318 | Flkpf-Schraube ISO 7045-M 3x 8-1.4301-H | pan head screw ISO 7045-M 3x 8-1.4301-H | - | - |
| 31 | 33.2308.3000 | Gehäuse | housing | - | - |
| 32 | 33.0676.8000 | Schild WMF Logo, schwarz | label WMF logo, black | - | - |
| 33 | 33.2308.5000 | Nocke | cam | - | - |
| 34 | 33.2308.4000 | Abdeckung | cover | - | - |
| 36 | 33.2306.4000 | Schutzkappe, Schalter | safety cap, switch | - | - |
| 37 | 33.2415.3000 | Schalter Ein/Aus, 125 V | switch on/off, 125 V | - | - |
| 37 | 33.2334.7000 | Schalter Ein/Aus, 230 V | switch on/off, 230 V | - | - |
| 38 | 33.9574.3000 | Signalleuchte 24 V, LED gelb | signal lamp 24 V, LED yellow | - | - |



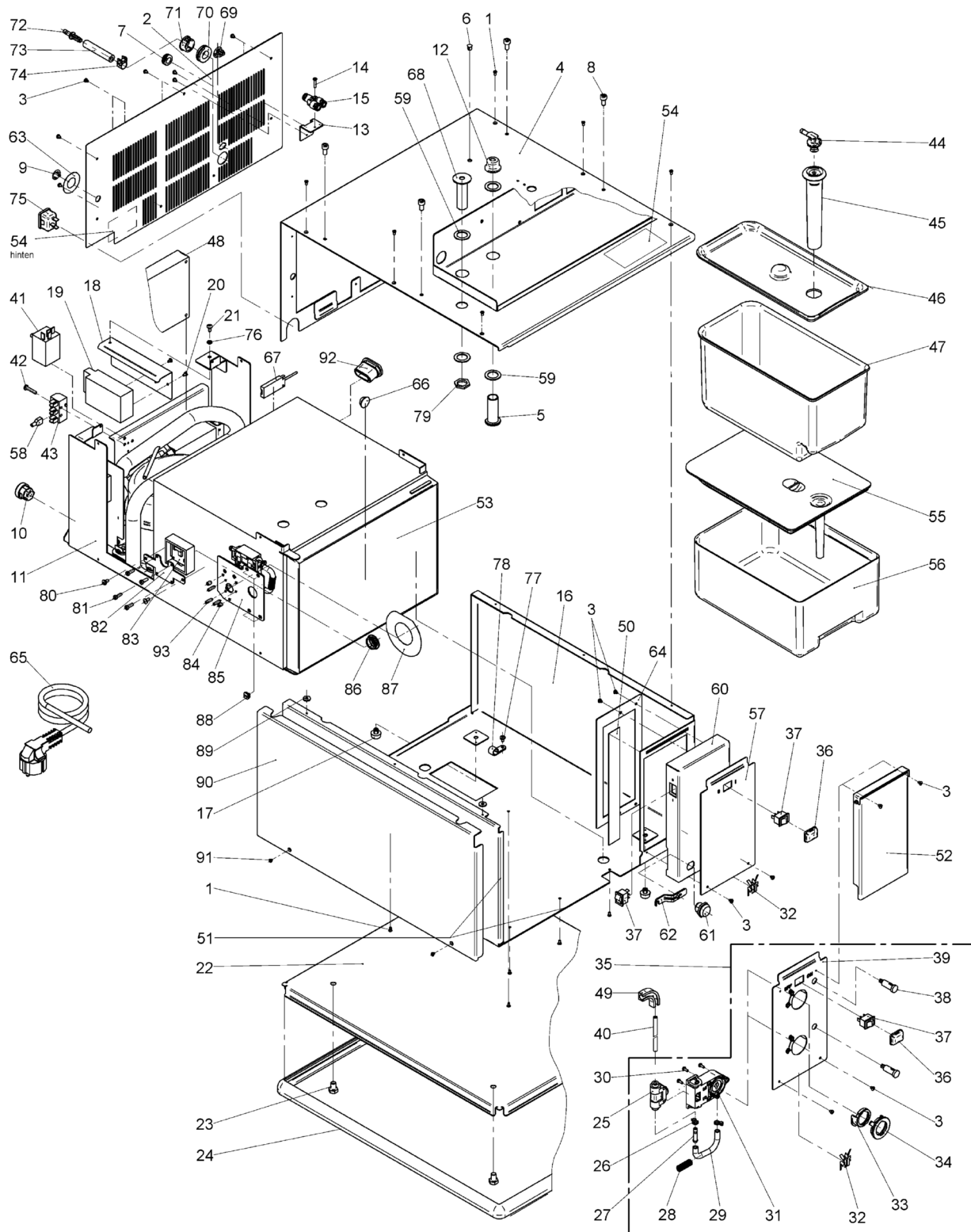
| Pos. | Art.-Nr. Art. no. | Bezeichnung Tech-Info Service-Info | Designation Tech-Info Service-Info | EA1 | EA2 |
|------|------------------------------|--|--|-----|-----|
| 39 | 33.2431.1000 | Winkel Einhängung, mit Plug&Clean | angle suspension, with Plug&Clean: | - | - |
| 40 | 00.0048.4956 | Schlauch 4,0x1,0 PTFE 450mm | tube 4,0x1,0 PTFE 450mm | - | - |
| 41 | 33.2577.6000 | Thermostat USK-8000S nur Ersatzteil | THERMOSTATE USK-8000S only spare part | - | - |
| 41 | 33.2176.6000 | Thermostat nur Ersatzteil | thermostat only spare part | - | - |
| 42 | 00.0047.3370 | Flüpf-Schraube ISO 7045-M 4x22-1.4301-H | pan head screw ISO 7045-M 4x22-1.4301-H | - | - |
| 43 | 33.1636.9000 | Steck-Schraubleiste 3 P | terminal strip 3 P | - | - |
| 44 | 33.4073.5000 | Schlauchadapter_Plug_and_Clean _2K Plug&Clean | Hose_Connector_Plug_and_Clean _2K Plug&Clean | - | - |
| 45 | 33.9520.2100 | Steigrohr, Milchbehälter 1 US Gallone | riser, milk container 1 US gallon | - | - |
| 46 | 33.9520.1100 | Deckel Plug&Clean, 1 US-Gallone Rohr | lid Plug&Clean, 1 US gallon pipe | - | - |
| 47 | 33.9520.0000 | Milchschale Plug&Clean, 1 US-Gallone | milk bowl Plug&Clean, 1 US gallon | - | - |
| 48 | 33.2176.5000 | Ventilator 230V nur Ersatzteil | fan 230V only spare part | - | - |
| 48 | 33.2645.1000 | Ventilator USK-8000S 230V nur Ersatzteil | ventilator for under machine cooler 8000S 230V only spare part | - | - |
| 48 | 33.2176.5100 | Ventilator 115V nur Ersatzteil | fan 115V only spare part | - | - |
| 49 | 33.2229.5000 | Schlauchstütze 8er | hose support 8mm | - | - |
| 50 | 00.0048.4962 | Doppels. Klebeband 0, 5x9mm/4905/P-htrans USK 8000S 25mm | twosided Adhesive tape 0, 5x9mm/4905/P-ht USK 8000S 25mm | - | - |
| 51 | 00.0048.7911 | Klebe-Dichtmasse IS 808 transparent 83ml | Sealing adhesive IS 808 transparent 83ml | - | - |
| 52 | 33.2840.7000 | Abdeckung kpl. | cover compl. | - | - |
| 52 | 33.2384.9000 | Haube | cover | - | - |
| 53 | 33.2652.9000 | Tür ohne Schloss, Dichtung nicht entnehmbar, kpl. Duropal RAL 9011 siehe Übersicht Kühlertüren 9468 | door not lockable, seal not removable, compl. Duropal RAL 9011 see overview cooler doors 9468 | - | - |



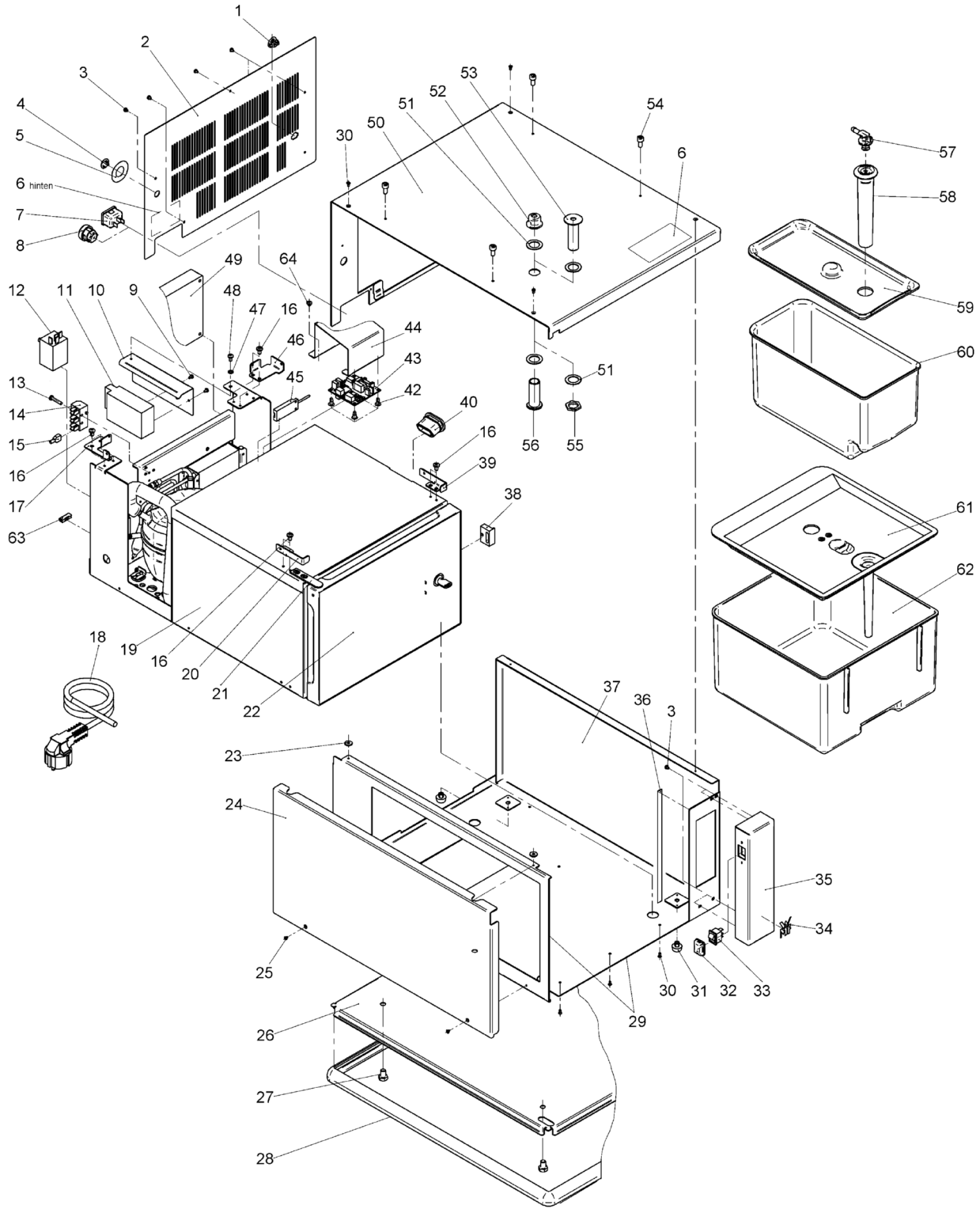
| Pos. | Art.-Nr. Art. no. | Bezeichnung Tech-Info Service-Info | Designation Tech-Info Service-Info | EA1 | EA2 |
|------|------------------------------|--|--|-----|-----|
| 53 | 33.2445.9000 | Dichtung WMF Beistellkühler | seal WMF countertop cooler | - | - |
| 53 | 33.2420.8000 | Dichtung Milchkühler breit, Übergangslösung | seal milk cooler, wide, interim solution | - | - |
| 53 | 33.2653.0000 | Tür mit Schloss, Dichtung entnehmbar, kpl. USK 8000S siehe Übersicht Kühlertüren 9468 | door lockable, removable seal, Cup, compl. USK 8000S see overview cooler doors 9468 | - | - |
| 53 | 33.2557.6100 | Tür abschließbar, mit entnehmbarer Dichtung Duropal RAL 9011, kpl. siehe Übersicht Kühlertüren 9468 | door lockable, with removable seal, duropal RAL 9011, compl. see overview cooler doors 9468 | - | - |
| 53 | 33.2418.5100 | Tür mit entnehmbarer Dichtung Duropal RAL 9011, kpl. siehe Übersicht Kühlertüren 9468 | door with removable seal, duropal RAL 9011, compl. see overview cooler doors 9468 | - | - |
| 53 | 33.2427.1000 | Griffleiste, Tür | handle strip, door | - | - |
| 53 | 33.2418.5000 | Tür breit, mit Makrolonplatte, Übergangslösung, kpl. siehe Übersicht Kühlertüren 9468 | door wide, with Makrolon plate, temporary solution, compl. see overview cooler doors 9468 | - | - |
| 54 | 33.2307.6000 | Satz Warnschilder, electric shock USA englisch, französisch, spanisch | warning labels set, electric shock USA English, French, Spanish | - | - |
| 55 | 33.4118.6000 | Deckel, Milchschale breit | cover, milk bowl wide | - | - |
| 56 | 33.4118.7000 | Milchschale breit | milk bowl wide | - | - |
| 58 | 33.2218.5000 | Abdeckkappe vollisoliert, auf freistehende Kontakte der Netzklemme (L und N) aufstecken | cap fully insulated, plug onto exposed contacts of the power terminal (L and N) | - | - |
| 59 | 33.2540.3000 | Kappe | cap | - | - |
| 60 | 33.2863.7100 | Haube Ein/Aus-Schalter ohne Schloss, kpl. | cover ON/OFF switch, without lock, compl. | - | - |
| 60 | 33.2863.7000 | Haube Ein/Aus-Schalter, kpl. | cover ON/OFF switch, compl. | - | - |
| 60 | 33.2877.9000 | Haube Ein/Aus-Schalter, USK-8000S, kpl. | cover ON/OFF switch, 8000S USK, compl. | - | - |
| 61 | 00.0047.2197 | Scheibe ISO 7093-1-4-200HV-1.4301 | washer ISO 7093-1-4-200HV-1.4301 | - | - |
| 61 | 00.0047.3358 | Flkopf-Schraube ISO 7045-M 4x 6-1.4301-H | pan head screw ISO 7045-M 4x 6-1.4301-H | - | - |



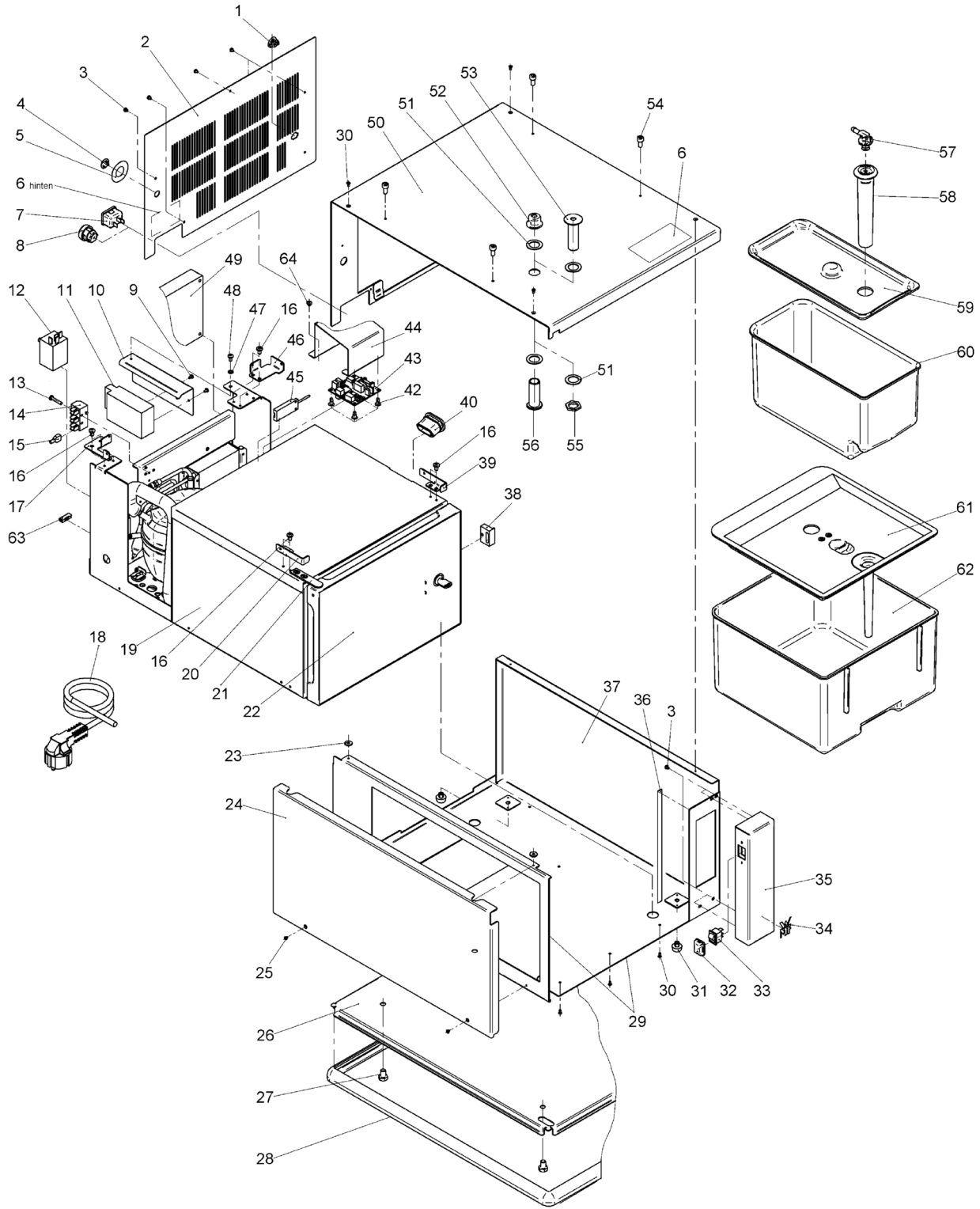
| Pos. | Art.-Nr. Art. no. | Bezeichnung Tech-Info Service-Info | Designation Tech-Info Service-Info | EA1 | EA2 |
|------|------------------------------|--|---|-----|-----|
| 61 | 33.2071.8000 | Zylinderschloss | cylinder lock | - | - |
| 62 | 33.2472.3000 | Schließhebel abschließbar, 9468 | locking lever lockable, 9468 | - | - |
| 63 | 33.2470.2000 | Aufkleber, Thermostat | sticker, thermostat | - | - |
| 65 | 33.2481.0000 | Kabel, Netzanschluss, CEE230 2 m, gewinkelt, Europa | cable, mains power connection, CEE230 2 m, angled, Europe | - | - |
| 65 | 33.2399.9100 | Netzkabel 3/0,75mm VII K-C13L, Europa 2 m | mains cable 3/0.75mm VII K-C13L, Europe 2 m | - | - |
| 66 | 33.2577.0000 | Puffer Lermeldung Milch | buffer empty message milk | - | - |
| 67 | 33.2441.9000 | Näherungsschalter Sensor kapazitiv | proximity switch sensor, capacitive | - | - |
| 68 | 33.2612.2000 | Verschraubung USK-8000S | threaded connector USK-8000S | - | - |
| 68 | 33.2612.2100 | Verschraubung USK-8000S, geschlossen | threaded connector USK-8000S, closed | - | - |
| 69 | 33.2420.9000 | Abdeckkappe | cap | - | - |
| 70 | 33.2375.3000 | Durchführungsstülle | rubber funnel | - | - |
| 71 | 33.0677.6000 | Abdeckkappe | cap | - | - |
| 72 | 33.2298.4000 | Nippel | plug | - | - |
| 73 | 00.0048.0015 | Silikongewebes Schlauch 6x3-ISO 3302-1E1 500mm | silicone tube 6x3-ISO 3302-1E1 500mm | - | - |
| 74 | 33.2299.6000 | Schlauchschelle | hose clip | - | - |
| 75 | 33.2463.7000 | Kaltgerätestecker | low-power device plug | - | - |
| 76 | 00.0047.2251 | Zahnscheibe DIN 6797-A 4,3-1.4300 | tooth lock washer DIN 6797-A 4, 3-1.4300 | - | - |
| 77 | 00.0047.3358 | Flkopf-Schraube ISO 7045-M 4x 6-1.4301-H USK 8000S | pan head screw ISO 7045-M 4x 6-1.4301-H USK 8000S | - | - |
| 78 | 33.2653.2000 | Schelle, Befestigung USK-8000S | clamp, fastening USK-8000S | - | - |



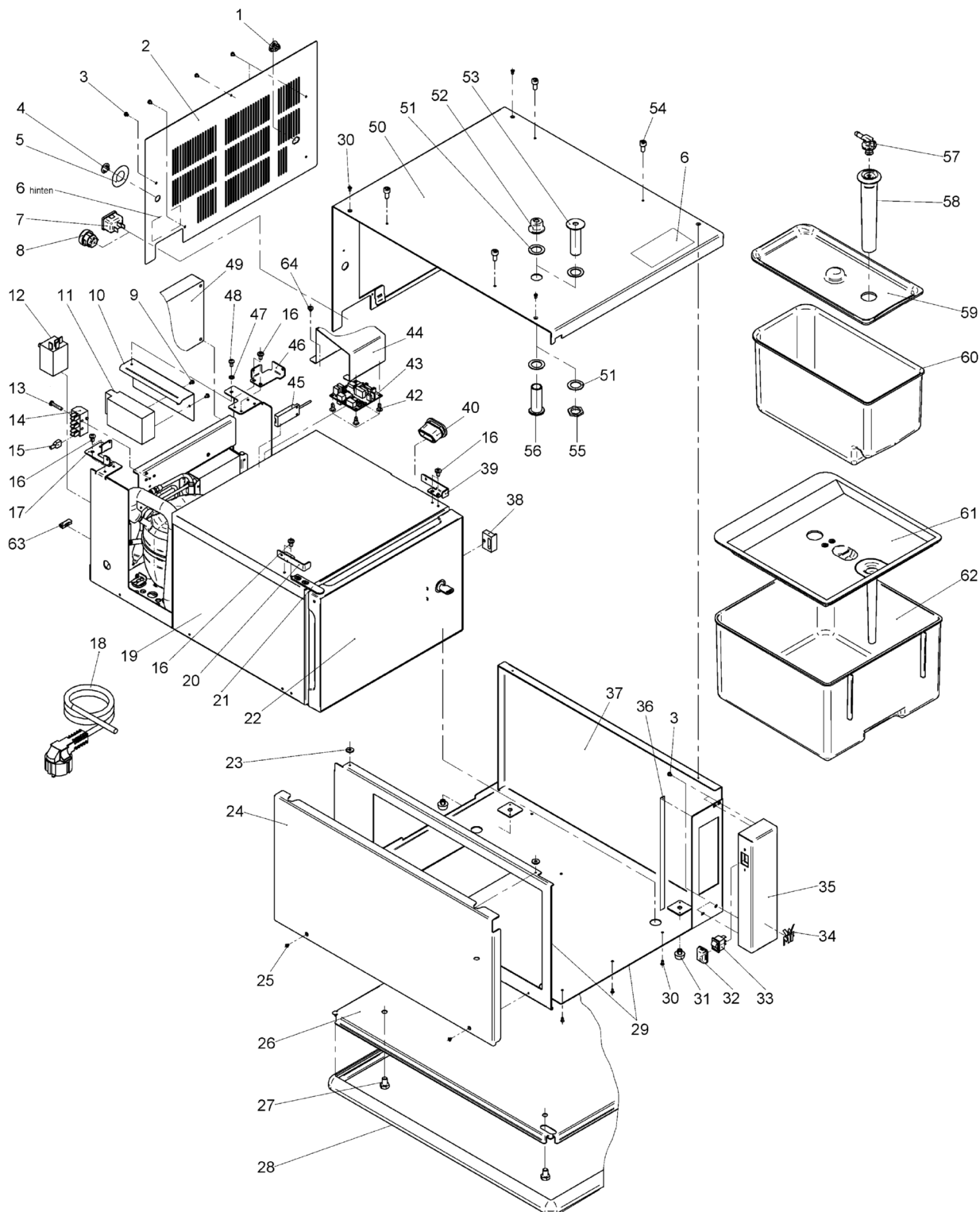
| Pos. | Art.-Nr. Art. no. | Bezeichnung Tech-Info Service-Info | Designation Tech-Info Service-Info | EA1 | EA2 |
|------|------------------------------|---|--|-----|-----|
| 79 | 33.9510.0000 | Mutter USK 8000S | nut USK 8000S | - | - |
| 80 | 00.0047.3361 | Flkopf-Schraube ISO 7045-M 4x 8-1.4301-H | pan head screw ISO 7045-M 4x 8-1.4301-H | - | - |
| 81 | 00.0047.0062 | Zylinderschraube ISO 1207-M 4x16-1.4301 | cheese head screw ISO 1207-M 4x16-1.4301 | - | - |
| 82 | 33.2617.9000 | Halterung für Thermopile-Modul | holder for thermopile module | - | - |
| 83 | 33.2852.8000 | Infrarot Modul | infrared module | - | - |
| 84 | 00.0047.2383 | Gewindestift ISO 4028-M 5x 8-A4 | Threaded pin ISO 4028-M 5x 8-A4 | - | - |
| 86 | 33.2598.4000 | Abdeckkappe IR-Modul | cap IR module | - | - |
| 87 | 33.2466.5100 | Aufkleber Plug&Clean, RAL 9005 | sticker Plug&Clean, RAL 9005 | - | - |
| 88 | 00.0047.1249 | Flachkopfschraube DIN 921-M 4x 5-1.4301 | pan head screw DIN 921-M 4x 5-1.4301 | - | - |
| 89 | 00.0047.2189 | Scheibe 4,3 DIN 7349-1.4301 USK 8000S | washer 4,3 DIN 7349-1.4301 USK 8000S | - | - |
| 92 | 33.2359.3000 | Glasstopfen USK-8000S | glass stopper USK-8000S | - | - |
| 93 | 33.2631.2000 | Gewindestift M4x16 | threaded pin M4x16 | - | - |
| 99 | 33.2447.8000 | Kabelsatz, Leermeldung Y-leer-2-Milch | cable set, empty message Y-empty-2-milk | - | - |
| 99 | 33.2444.9000 | Kabelsatz, Leermeldung Milch-Leermeldung, extern | cable set, empty message milk empty message, external | - | - |
| 99 | 33.2430.5000 | Kabelsatz, Unterstellkühler Stromversorgung | cable set, integrated cooler power supply | - | - |
| 99 | 33.9527.0000 | Klebeschildsatz 2-Milch, USK englisch | adhesive label set 2-milk, USK English | - | - |
| 99 | 33.2481.7000 | Kabelsatz, Sensor | cable set, sensor | - | - |
| 99 | 33.2470.4000 | Kabelsatz, Netzklemme Kaltgerät | cable set, grid terminal low-amp device | - | - |



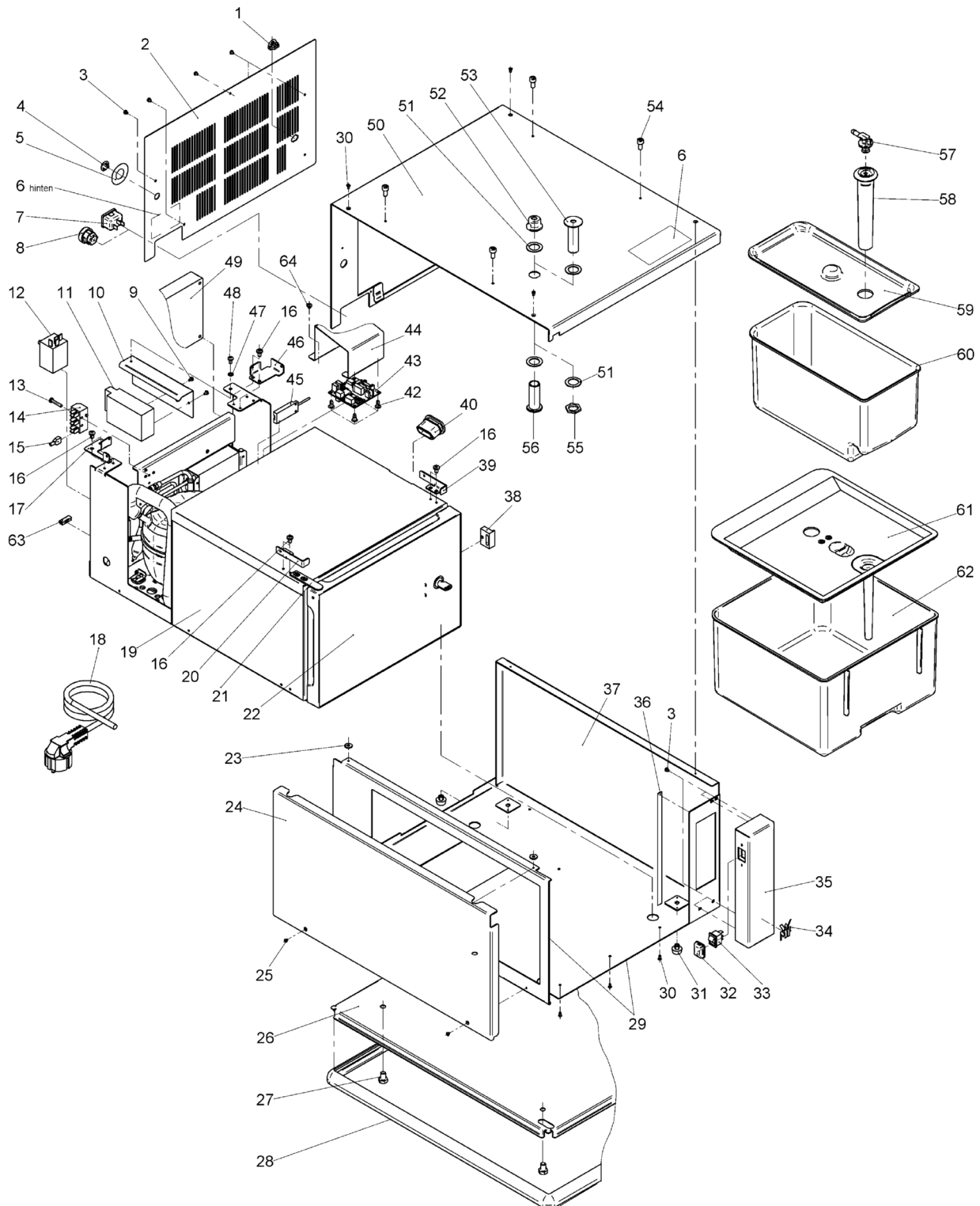
| Pos. | Art.-Nr. Art. no. | Bezeichnung Tech-Info Service-Info | Designation Tech-Info Service-Info | EA1 | EA2 |
|------|----------------------|---|--|-----|-----|
| 1 | 33.2420.9000 | Abdeckkappe | cap | - | - |
| 3 | 00.0047.3312 | Flkpf-Schraube ISO 7045-M 3x 4-A2-H | pan head screw ISO 7045-M 3x 4-A2-H | - | - |
| 4 | 33.1504.0000 | Kappe | cap | - | - |
| 5 | 33.2470.2000 | Aufkleber, Thermostat | sticker, thermostat | - | - |
| 6 | 33.2307.6000 | Satz Warnschilder, electric shock USA englisch, französisch, spanisch | warning labels set, electric shock USA English, French, Spanish | - | - |
| 7 | 33.2463.7000 | Kaltgerätestecker | low-power device plug | - | - |
| 8 | 33.2264.4100 | Kabeldurchführung 9,5 mm | cable pass-through 9.5 mm | - | - |
| 9 | 00.0047.3313 | Flkpf-Schraube ISO 7045-M 3x 5-1.4301-H | pan head screw ISO 7045-M 3x 5-1.4301-H | - | - |
| 11 | 33.2385.3000 | Schaltnetzteil 24 V | switching power supply 24 V | - | - |
| 12 | 33.2555.0000 | Thermostat | thermostat | - | - |
| 13 | 00.0047.3370 | Flkpf-Schraube ISO 7045-M 4x22-1.4301-H | pan head screw ISO 7045-M 4x22-1.4301-H | - | - |
| 14 | 33.1636.9000 | Steck-Schraubleiste 3-polig | terminal strip 3-pin | - | - |
| 15 | 33.2218.5000 | Abdeckkappe auf freistehende Kontakte der Netzklemme (L und N) aufstecken | cap fully insulated, plug onto exposed contacts of the power terminal (L and N) | - | - |
| 16 | 00.0047.3381 | Flkpf-Shr.ISO7045-M 5x 8-1.4301-H m.Mvkp | pan head screwISO7045-M 5x 8-1.4301-H | - | - |
| 18 | 33.2399.9100 | Netzkabel 3/0,75mm VII K-C13L, Europa | mains cable 3/0.75mm VII K-C13L, Europe | - | - |
| 20 | 33.2630.1000 | Auflage, links vorne | rest, left front | - | - |
| 21 | 33.4132.1000 | Scharnier | hinge | - | - |
| 22 | 33.4132.0000 | Dichtung | seal | - | - |



| Pos. | Art.-Nr. Art. no. | Bezeichnung Tech-Info Service-Info | Designation Tech-Info Service-Info | EA1 | EA2 |
|------|------------------------------|--|--|-----|-----|
| 22 | 33.4131.7000 | Tür abschließbar, entnehmbare Dichtung, kpl. siehe Übersicht Kühlertüren 9468 | door lockable, removable seal, compl. see overview cooler doors 9468 | - | - |
| 22 | 33.4131.8000 | Schloss inkl. 2 Schlüssel | lock incl. 2 keys | - | - |
| 23 | 00.0047.2189 | Scheibe 4,3 DIN 7349-1.4301 | washer 4,3 DIN 7349-1.4301 | - | - |
| 25 | 00.0047.3103 | Senkschraube ISO 7046-2-M 3x 4-1.4301-H | counter sunk screw ISO 7046-2-M 3x 4-1.4 | - | - |
| 26 | 33.2612.0100 | Boden Zusatz USK | base add-on USK | - | - |
| 27 | 00.0047.1408 | Sechskant-Shr. ISO 4017-M 8x12-1.4301 | hexagon-screw ISO 4017-M 8x12-1.4301 | - | - |
| 28 | 33.2612.1000 | Gummi Profilsockel, USK-8000S | rubber profile stand, USK-8000S | - | - |
| 29 | 00.0048.7911 | Klebe-Dichtmasse IS 808 transparent 83ml | Sealing adhesive IS 808 transparent 83ml | - | - |
| 30 | 00.0047.3105 | Senkschraube ISO 7046-2-M 3x 6-1.4301-H | counter sunk screw ISO 7046-2-M 3x 6-1.4 | - | - |
| 31 | 33.2298.8000 | Fuß | foot | - | - |
| 32 | 33.2306.4000 | Schutzkappe, Schalter | safety cap, switch | - | - |
| 33 | 33.2555.6000 | Ein/Aus-Taste 230V | on/off switch 230V | - | - |
| 34 | 33.0676.8000 | Schild WMF Logo | label WMF logo | - | - |
| 35 | 33.2877.9100 | Haube Ein/Aus-Schalter, kpl. | cover ON/OFF switch, compl. | - | - |
| 38 | 33.4131.9000 | Verriegelung | lock | - | - |
| 39 | 33.2630.2000 | Auflage, rechts vorne | rest, right front | - | - |
| 40 | 33.2359.3000 | Glasstopfen | glass stopper | - | - |
| 42 | 33.2280.3000 | Abstandshalter mit Kopf | spacer with head | - | - |
| 43 | 33.2630.8000 | Auswertekarte Temperatur Kühler | reader card temperature, cooler | - | - |



| Pos. | Art.-Nr. Art. no. | Bezeichnung Tech-Info Service-Info | Designation Tech-Info Service-Info | EA1 | EA2 |
|------|------------------------------|---|--|-----|-----|
| 45 | 33.4115.9000 | Näherungsschalter Sensor kapazitiv, KQ6015 | proximity switch sensor, capacitive KQ6015 | - | - |
| 47 | 00.0047.2251 | Zahnscheibe DIN 6797-A 4,3-1.4300 | tooth lock washer DIN 6797-A 4, 3-1.4300 | - | - |
| 48 | 00.0047.3361 | Flkopf-Schraube ISO 7045-M 4x 8-1.4301-H | pan head screw ISO 7045-M 4x 8-1.4301-H | - | - |
| 49 | 33.4131.3000 | Ventilator 115 V | fan 115 V | - | - |
| 49 | 33.4131.2000 | Ventilator 230 V | fan 230 V | - | - |
| 51 | 33.2540.3000 | Kappe | cap | - | - |
| 52 | 33.2540.2000 | Kappe | cap | - | - |
| 53 | 33.2612.2000 | Verschraubung USK-8000S | threaded connector USK-8000S | - | - |
| 53 | 33.2612.2200 | Verschraubung, USK 2-Milch | threaded connector, USK 2-milk | - | - |
| 53 | 33.2612.2100 | Verschraubung USK-8000S, geschlossen | threaded connector USK-8000S, closed | - | - |
| 54 | 00.0047.1098 | Zylinderschraube ISO 4762-M 4x 6-1.4301 | cheese head screw ISO 4762-M 4x 6-1.4301 | - | - |
| 55 | 33.9510.0000 | Mutter Mc Donalds | nut Mc Donalds | - | - |
| 56 | 33.2142.2200 | Verschraubung, 2 Schlauch kurz | threaded connector, 2 hose, short | - | - |
| 57 | 33.4073.5000 | Schlauchadapter_Plug_and_Clean _2K Plug & Clean | Hose_Connector_Plug_and_Clean _2K Plug & Clean | - | - |
| 58 | 33.9520.2100 | Steigrohr, Milchbehälter 1 US Gallone | riser, milk container 1 US gallon | - | - |
| 59 | 33.9520.1100 | Deckel Plug&Clean, 1 US-Gallone Rohr | lid Plug&Clean, 1 US gallon pipe | - | - |
| 60 | 33.9520.0000 | Milchschale Plug&Clean, 1 US-Gallone | milk bowl Plug&Clean, 1 US gallon | - | - |
| 61 | 33.4132.7000 | Kappe Deckel 2-Loch | cap cover 2-hole | - | - |
| 61 | 33.4118.6000 | Deckel, Milchschale | cover, milk bowl | - | - |



| Pos. | Art.-Nr. Art. no. | Bezeichnung Tech-Info Service-Info | Designation Tech-Info Service-Info | EA1 | EA2 |
|------|------------------------------|---|--|-----|-----|
| 61 | 33.4118.6100 | Deckel, Milchschaale 2-Loch | cover, milk bowl 2-hole | - | - |
| 62 | 33.4118.7000 | Milchschaale | milk bowl | - | - |
| 63 | 00.0048.0093 | Kantenschutz PVC schwarz Klemb. 1,0 mm | edge protection PVC black clamp. 1, 0 mm | - | - |
| 64 | 00.0047.3355 | Flkopf-Schraube ISO 7045-M 4x 4-1.4301-H | pan head screw ISO 7045-M 4x 4-1.4301-H | - | - |
| 99 | 33.2430.4000 | Kabelsatz, Unterstellkühler Leermeldung | cable set, integrated cooler empty message | - | - |
| 99 | 33.0916.8000 | Betriebsanleitung | user manual | - | - |
| 99 | 33.9527.0000 | Klebeschildsatz 2-Milch, USK englisch | adhesive label set 2-milk, USK English | - | - |
| 99 | 33.2430.3000 | Kabelsatz, Unterstellkühler Unterstellkühler 2008 UL | cable set, integrated cooler under-machine cooler 2008 UL | - | - |
| 99 | 33.2430.3100 | Kabelsatz, Unterstellkühler Kühler R600a | cable set, integrated cooler cooler R600a | - | - |
| 99 | 33.2430.5000 | Kabelsatz, Unterstellkühler Stromversorgung | cable set, integrated cooler power supply | - | - |
| 99 | 33.2444.9000 | Kabelsatz, Leermeldung Milch-Leermeldung, extern | cable set, empty message milk empty message, external | - | - |
| 99 | 33.2447.8000 | Kabelsatz, Leermeldung Y-leer-2-Milch | cable set, empty message Y-empty-2-milk | - | - |
| 99 | 33.2470.4000 | Kabelsatz, Netzklemme Kaltgerät | cable set, grid terminal low-amp device | - | - |
| 99 | 33.2481.7000 | Kabelsatz, Sensor | cable set, sensor | - | - |
| 99 | 33.1548.1000 | TYPENSCHILD | type plate | - | - |