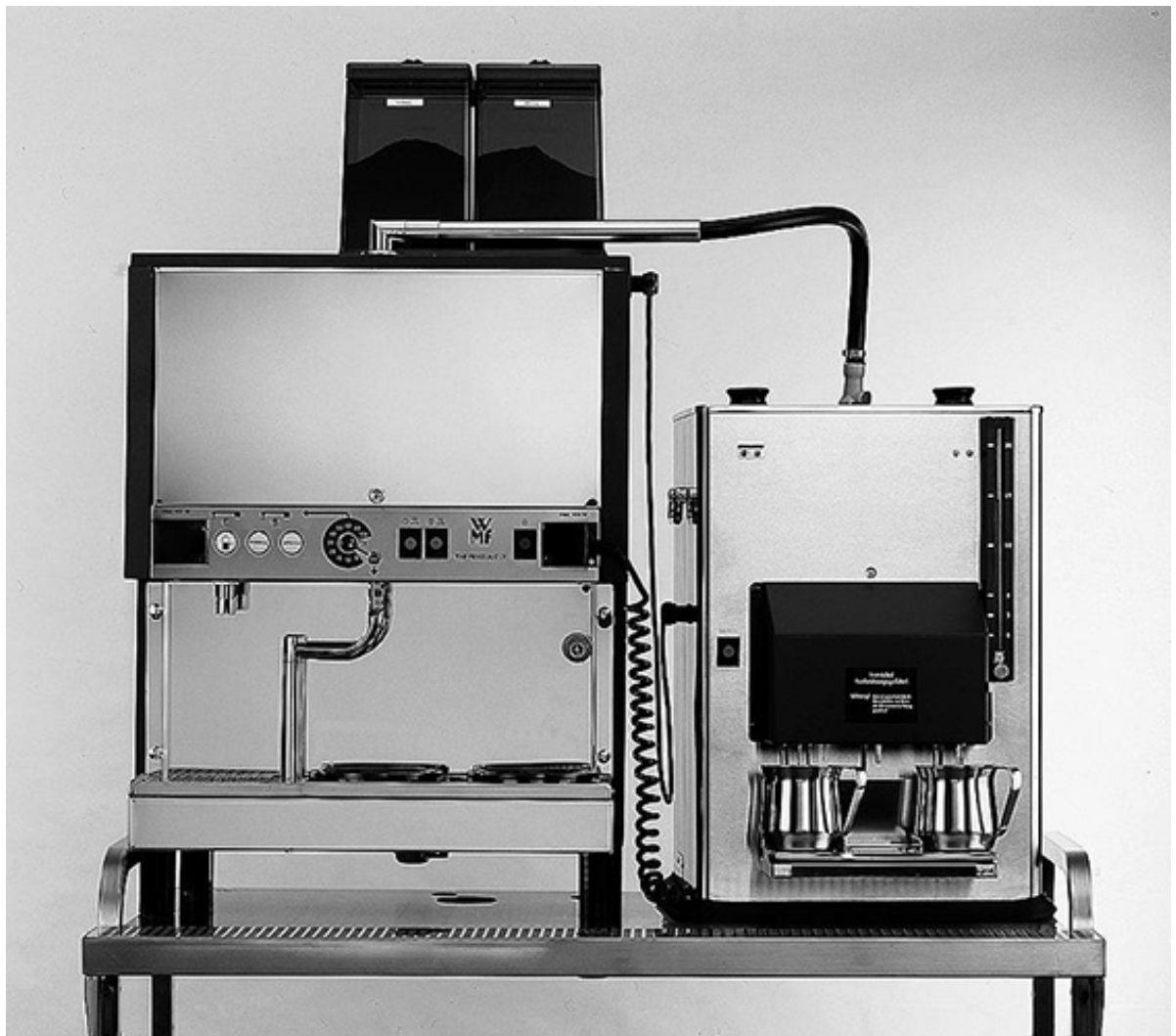


PROGRAMAT GV

Ersatzteilkatalog
Spare Parts Catalogue

23.02.2021

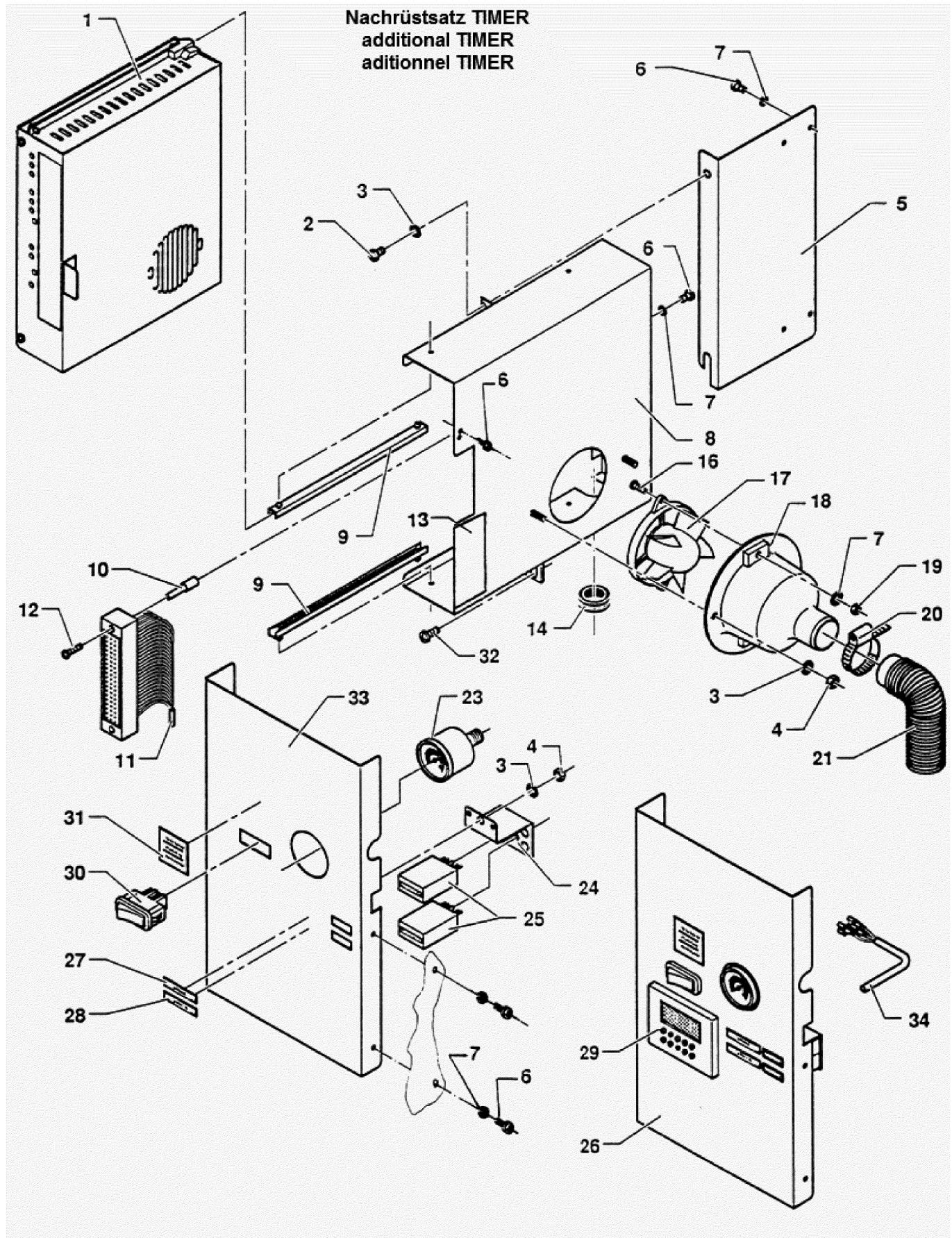


Printed in Germany
Nachdruck, Vervielfältigung oder Übersetzung, auch
auszugsweise, nicht erlaubt

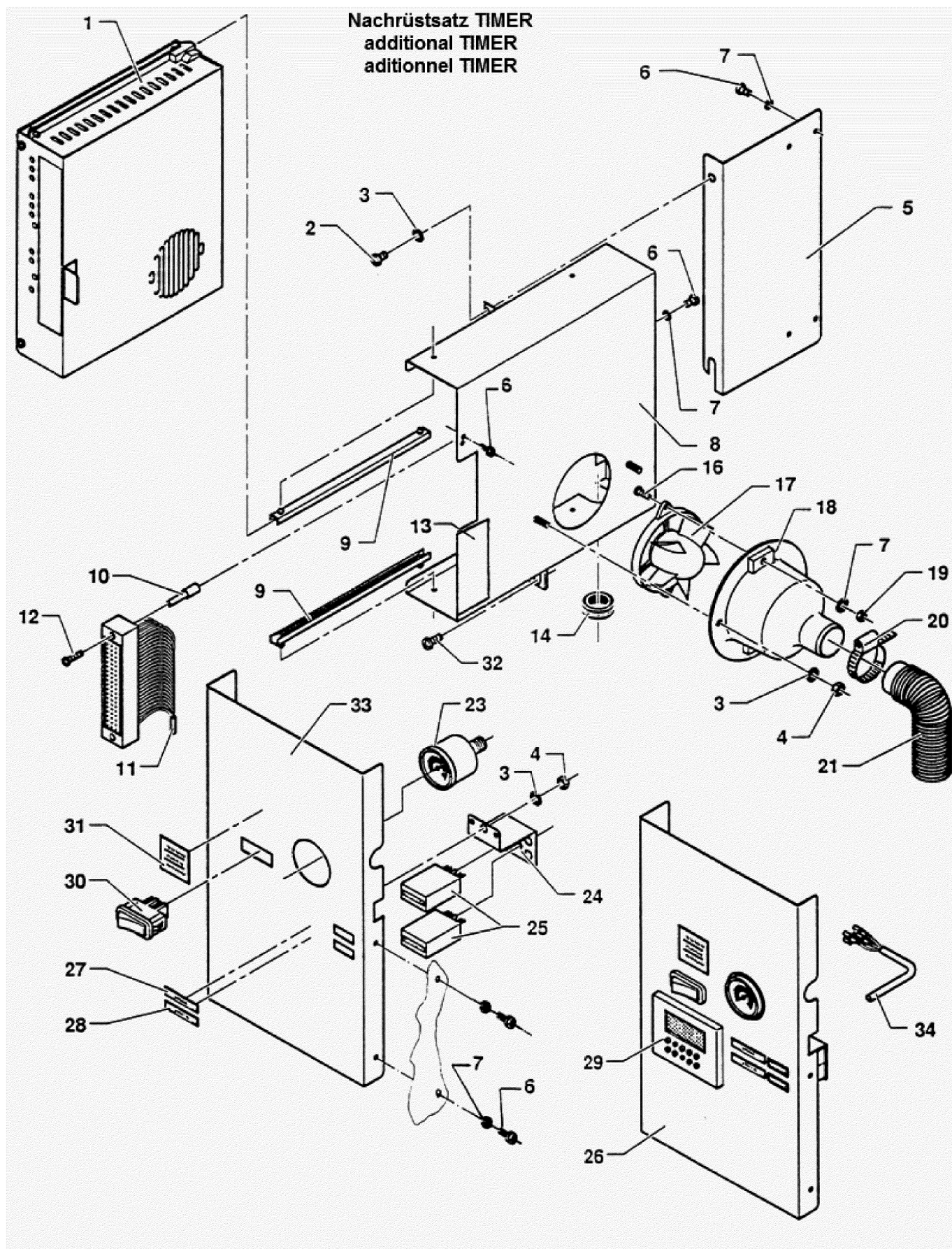
gedruckt / printed: 23.02.2021

WMF Group GmbH
Eberhardstraße 35
D-73312 Geislingen/Steige
info@wmf-group.com
www.wmf-group.com

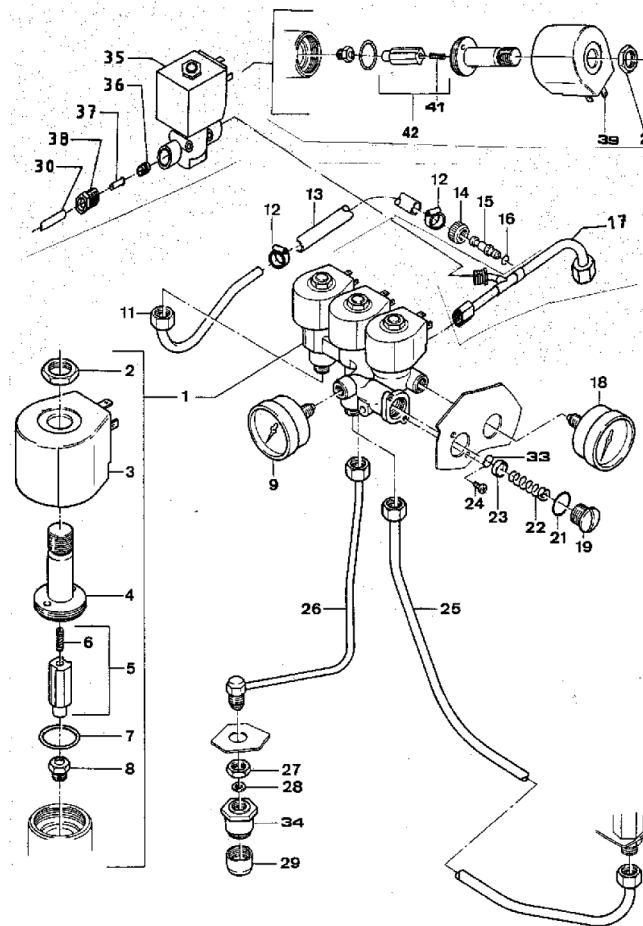
Blatt Sheet	Bezeichnung	Designation	Seite Page
901	Elektronischer Einschub	central processing unit	2
902	Ventilgruppe 03 7470 0001	valve group	6
903	Ventilgruppe	valve group	10
904	Gehäuse	housing	16
905	Schacht	box	24
906	Frontblende	front panel	30
907	Brüheinheit Oberteil neu	brewer unit upper part new	36
908	Brüheinheit Zylinder neu	brewing unit cylinder new	40
909	Brüheinheit Antrieb neu	brewing unit motor new	44
910	Sicherheitsventil Wasser-Zu- und Ablauf	safety valve water armature	48
912	Kaffeemehlportionierer	ground coffee portioner	52
913	Kaffeeventil Durchflußmengenmesser	coffee valve	58
914	Tropfblech	drip tray	62
915	Leistungseinschub	power supply box	66
916	Schwenkarm kurz/lang	swinging arm short/long	70
917	Flexible Leitung	flexible lead	76
918	Heißwasserkessel (03 7470 0001)	hot water boiler	80
919	Heißwasserkessel	hot water boiler	84
930	Sonderteile Seaking	Special Parts Seaking	88



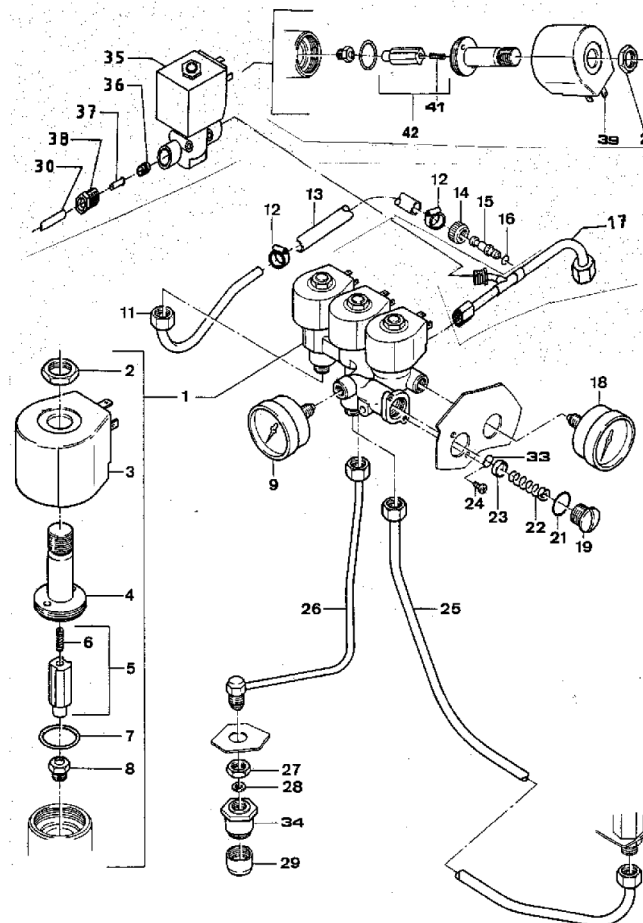
Pos.	Art.-Nr. Art. no.	Bezeichnung Tech-Info Service-Info	Designation Tech-Info Service-Info	EA1	EA2
1	33.1243.0000	EPROM	EPROM	-	-
1	33.1237.9099	Elektronikeinschub	electronics insert	-	-
2	00.0047.3361	Flkpf-Schraube ISO 7045-M 4x 8-1.4301-H	pan head screw ISO 7045-M 4x 8-1.4301-H	-	-
3	00.0047.2251	Zahnscheibe DIN 6797-A 4,3-1.4300	tooth lock washer DIN 6797-A 4, 3-1.4300	-	-
4	00.0047.2049	Sechskantmutter ISO 4032-M 4-1.4301	hexagonnut ISO 4032-M 4-1.4301	-	-
5	33.1244.2000	Deckel	lid	-	-
6	00.0047.3316	Flkpf-Schraube ISO 7045-M 3x 6-1.4301-H	pan head screw ISO 7045-M 3x 6-1.4301-H	-	-
7	00.0047.2250	Zahnscheibe DIN 6797-A 3,2-1.4300	tooth lock washer DIN 6797-A 3, 2-1.4300	-	-
8	33.1235.5000	Gehäuse	housing	-	-
9	33.1531.5000	Führung	guide	-	-
10	33.1337.5000	Bolzen	bolt	-	-
11	33.1246.8000	Kabelbaum	cable harness	-	-
12	00.0047.3308	Flkpf-Schraube ISO 7045-M2,5x 8-1.4301-H	pan head screw ISO 7045-M2,5x 8-1.4301-H	-	-
13	33.1824.9000	TYPENSCHILD	type plate	-	-
14	33.0641.9000	Kabeltülle	cable sleeve	-	-
16	00.0047.0143	Flachkopfschraube ISO 1580-M 3x 8-1.4301	pan head screw ISO 1580-M 3x 8-1.4301	-	-
17	33.1911.1000	Ventilator kpl.	fan compl.	-	-
18	33.1090.6000	Haube	cover	1	-
19	00.0047.2046	Sechskantmutter ISO 4032-M 3-1.4301	hexagonnut ISO 4032-M 3-1.4301	-	-



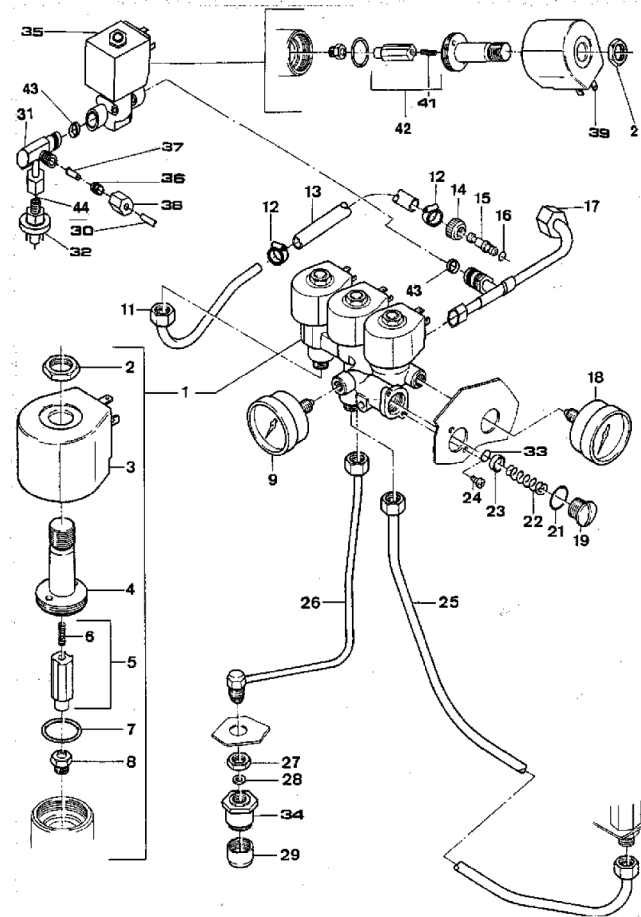
Pos.	Art.-Nr. Art. no.	Bezeichnung Tech-Info Service-Info	Designation Tech-Info Service-Info	EA1	EA2
20	33.0326.1000	Schlauchverbinder	hose connector	-	-
21	00.0048.0034	Spiralschlauch 32,0x2,5 PVC schwarz	spiral tube 32,0x2,5 PVC black	-	-
23	33.1551.4000	Manometer	manometer	-	-
24	33.1253.1000	Befestigung kpl.	fastening compl.	-	-
24	33.1244.6100	Befestigung 08.05.2013	fastening 08.05.2013	-	-
25	33.1248.9100	Impulszähler 08.05.2013	impulse counter 08.05.2013	-	-
25	33.1248.9000	Impulszähler 12 V	Impulse counter 12 V	1	-
26	33.1235.7100	Blende 08.05.2013	cover panel 08.05.2013	-	-
26	33.1235.7000	Blende und Pos. 29, Neue Ausführung seit 4.2011	cover panel and item 29, new version since 4.2011	-	-
27	33.1251.1000	Klebeschild	adhesive labels	-	-
28	33.1251.2000	Klebeschild	adhesive labels	-	-
29	33.1241.4000	Schaltuhr und Pos. 26, Neue Ausführung seit 4.2011	timer switch and item 26, new version since 4.2011	-	-
30	33.1659.3000	Taster	button	-	-
31	33.1470.1000	Klebeschild, Reinigung	adhesive label, cleaning	-	-
32	00.0047.3404	Flkopf-Schraube ISO 7045-M 6x 8-1.4301-H	pan head screw ISO 7045-M 6x 8-1.4301-H	-	-
33	33.1258.2000	Blende	cover panel	-	-
33	33.1258.2100	Blende 08.05.2013	cover panel 08.05.2013	-	-
34	33.1197.5000	Kabelsatz, Schaltuhr	cable set, timer switch	-	-
100	33.2166.7000	Nachrüstset, Timer	retrofit kit, timer	-	-



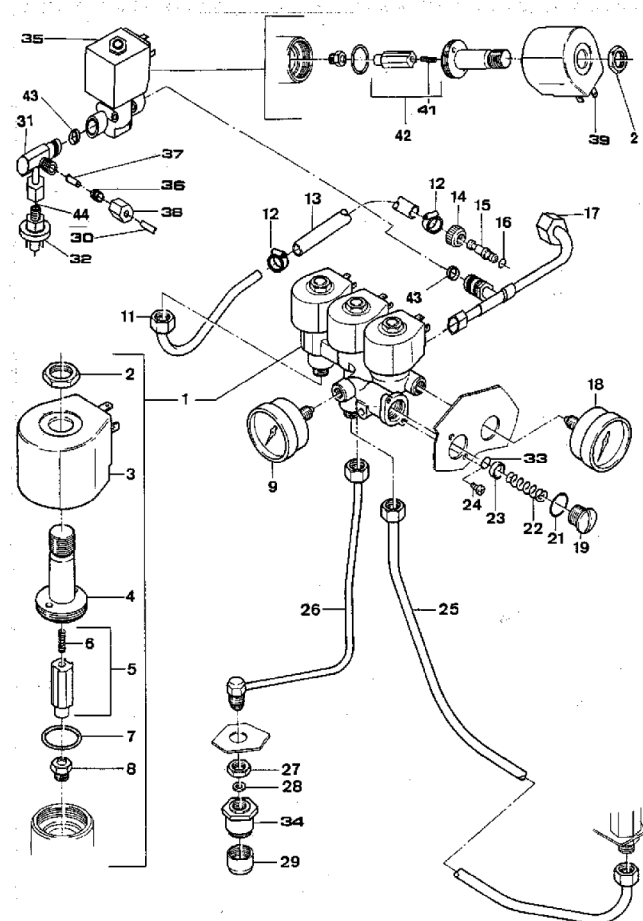
Pos.	Art.-Nr. Art. no.	Bezeichnung Tech-Info Service-Info	Designation Tech-Info Service-Info	EA1	EA2
1	33.1550.7000	Ventilblock, kpl.	valve block, compl.	-	-
2	33.0162.9000	Mutter	nut	-	-
3	33.1672.7000	Ersatzspule	replacement coil	-	-
4	33.0336.4000	Plungerführung	plunger guide	-	-
5	33.1574.0000	Plunger	plunger	-	-
6	33.1515.6000	FEDER	spring	-	-
7	33.0395.5000	O-Ring 17,12x2,62 EPDM	O-ring, 17.12x2.62 EPDM	-	-
8	33.0356.0000	Düse	nozzle	-	-
9	33.1551.4000	Manometer	manometer	-	-
11	33.1778.2000	Anschlussrohr	connection pipe	-	-
12	33.1453.3000	Schelle	clamp	-	-
13	00.0048.0015	Silikongewebes Schlauch 6x3-ISO 3302-1E1	silicone tube 6x3-ISO 3302-1E1	-	-
14	33.1340.1000	Überwurfmutter	union nut	-	-
15	33.1340.2000	Verbindung	connector	-	-
16	33.0394.4000	O-Ring 3,68x1,78 NBR	O-ring, 3.68x1.78 NBR	-	-
17	33.1236.7000	Anschlussrohr	connection pipe	-	-
18	33.0640.8000	Manometer	manometer	-	-
19	33.0548.0100	Verschlussschraube	locking screw	-	-
21	33.0393.5000	O-Ring 15,54x2,62 EPDM	O-ring, 15.54x2.62 EPDM	-	-
22	33.1504.3000	Druckfeder	pressure spring	-	-



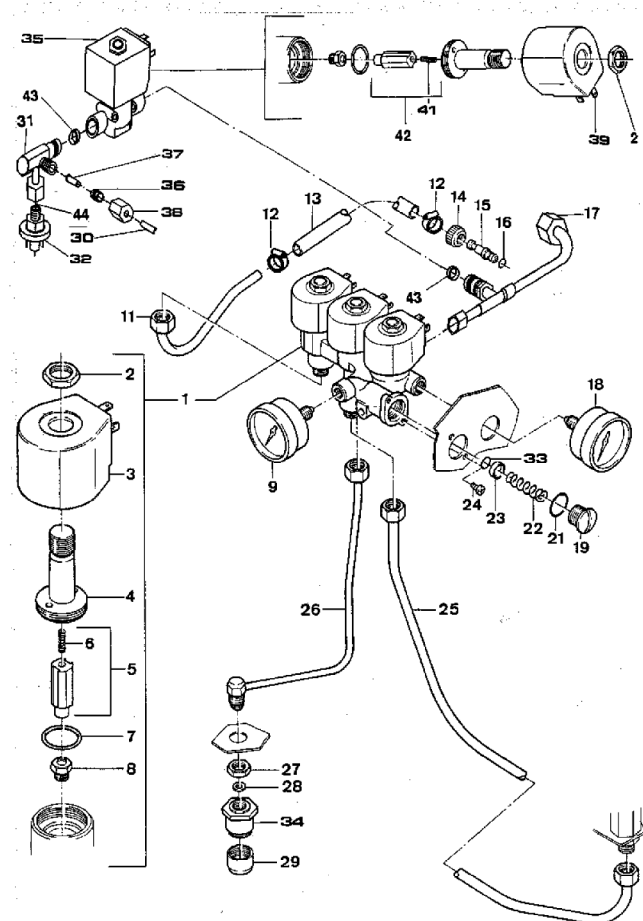
Pos.	Art.-Nr. Art. no.	Bezeichnung Tech-Info Service-Info	Designation Tech-Info Service-Info	EA1	EA2
23	33.1019.5000	Blende	aperture	-	-
24	00.0047.3388	Flkpf-Schraube ISO 7045-M 5x 8-1.4301-H	pan head screw ISO 7045-M 5x 8-1.4301-H	-	-
25	33.1776.7000	Anschlussrohr	connection pipe	-	-
26	33.1782.0000	Anschlussrohr	connection pipe	-	-
27	33.0226.2000	Mutter	nut	-	-
28	33.0302.0000	Dichtung	seal	-	-
29	33.0336.7000	Düse, Auslauf	nozzle, spout	-	-
30	00.0048.0047	Schlauch 6,0x1,0 PTFE	tube 6,0x1,0 PTFE	-	-
33	33.0396.1000	O-Ring 7,65x1,78 NBR	O-ring, 7.65x1.78 NBR	-	-
34	33.1322.2000	Anschlussstück	connection piece	-	-
35	33.1251.0000	Ventil 2/2 NW3,5	valve 2/2 NW3.5	-	-
36	33.1242.9000	Klemmring	clamping ring	3	-
37	33.1242.8000	Stützhülse	carrying bracket	3	-
38	33.1242.5000	Hohlschraube	hollow screw	-	-
39	33.0338.6000	Ersatzspule	replacement coil	-	-
41	33.1254.4000	Feder	spring	-	-
42	33.1574.0000	Plunger kpl.	plunger compl.	-	-



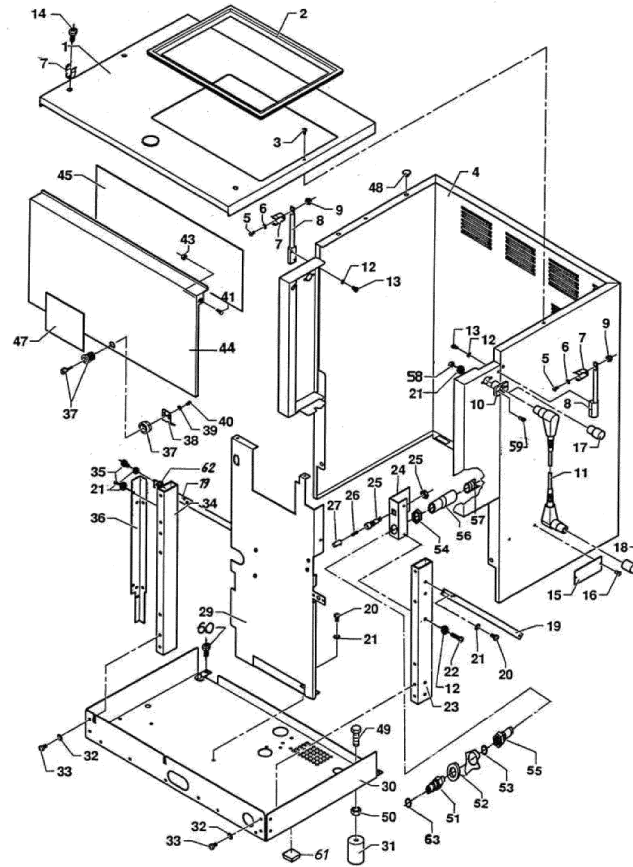
Pos.	Art.-Nr. Art. no.	Bezeichnung Tech-Info Service-Info	Designation Tech-Info Service-Info	EA1	EA2
1	33.1550.7000	Ventilblock, kpl.	valve block, compl.	-	-
2	33.0162.9000	Mutter	nut	-	-
3	33.1672.7000	Ersatzspule	replacement coil	-	-
4	33.0336.4000	Plungerführung	plunger guide	-	-
5	33.1574.0000	Plunger	plunger	-	-
6	33.1515.6000	FEDER	spring	-	-
7	33.0395.5000	O-Ring 17,12x2,62 EPDM	O-ring, 17.12x2.62 EPDM	-	-
8	33.0356.0000	Düse	nozzle	-	-
9	33.1551.4000	Manometer	manometer	-	-
11	33.1778.2000	Anschlussrohr	connection pipe	-	-
12	33.1453.3000	Schelle	clamp	-	-
13	00.0048.0015	Silikongewebes Schlauch 6x3-ISO 3302-1E1	silicone tube 6x3-ISO 3302-1E1	-	-
14	33.1340.1000	Überwurfmutter	union nut	-	-
15	33.1340.2000	Verbindung	connector	-	-
16	33.0394.4000	O-Ring 3,68x1,78 NBR	O-ring, 3.68x1.78 NBR	-	-
17	33.1240.7000	Anschlussrohr	connection pipe	-	-
18	33.0640.8000	Manometer	manometer	-	-
19	33.0548.0100	Verschlussschraube	locking screw	-	-
21	33.0393.5000	O-Ring 15,54x2,62 EPDM	O-ring, 15.54x2.62 EPDM	-	-
22	33.1504.3000	Druckfeder	pressure spring	-	-



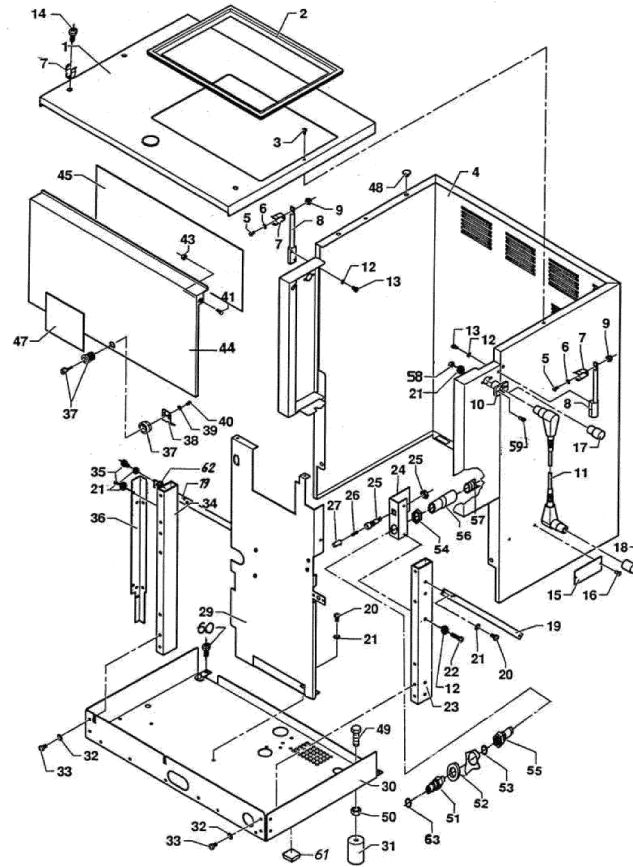
Pos.	Art.-Nr. Art. no.	Bezeichnung Tech-Info Service-Info	Designation Tech-Info Service-Info	EA1	EA2
23	33.1019.5000	Blende	aperture	-	-
24	00.0047.3388	Flkpf-Schraube ISO 7045-M 5x 8-1.4301-H	pan head screw ISO 7045-M 5x 8-1.4301-H	-	-
25	33.1776.7000	Anschlussrohr	connection pipe	-	-
26	33.1782.0000	Anschlussrohr	connection pipe	-	-
27	33.0226.2000	Mutter	nut	-	-
28	33.0302.0000	Dichtung	seal	-	-
29	33.0336.7000	Düse, Auslauf	nozzle, spout	-	-
30	00.0048.0047	Schlauch 6,0x1,0 PTFE	tube 6,0x1,0 PTFE	-	-
31	33.1258.9000	Anschluss kpl.	connection compl.	-	-
32	33.1445.3200	Druckschalter	pressure switch	1	-
33	33.0396.1000	O-Ring 7,65x1,78 NBR	O-ring, 7.65x1.78 NBR	-	-
34	33.1322.2000	Anschlussstück	connection piece	-	-
35	33.1251.0000	Ventil 2/2 NW3,5	valve 2/2 NW3.5	-	-
36	33.0311.4000	Klemmring	clamping ring	-	-
37	33.1242.8000	Stützhülse	carrying bracket	3	-
38	33.0221.4000	Überwurfmutter	union nut	-	-
39	33.0338.6000	Ersatzspule	replacement coil	-	-
41	33.1254.4000	Feder	spring	-	-
42	33.1574.0000	Plunger kpl.	plunger compl.	-	-
43	33.1474.9000	Gewindedichtring	thread seal ring	-	-



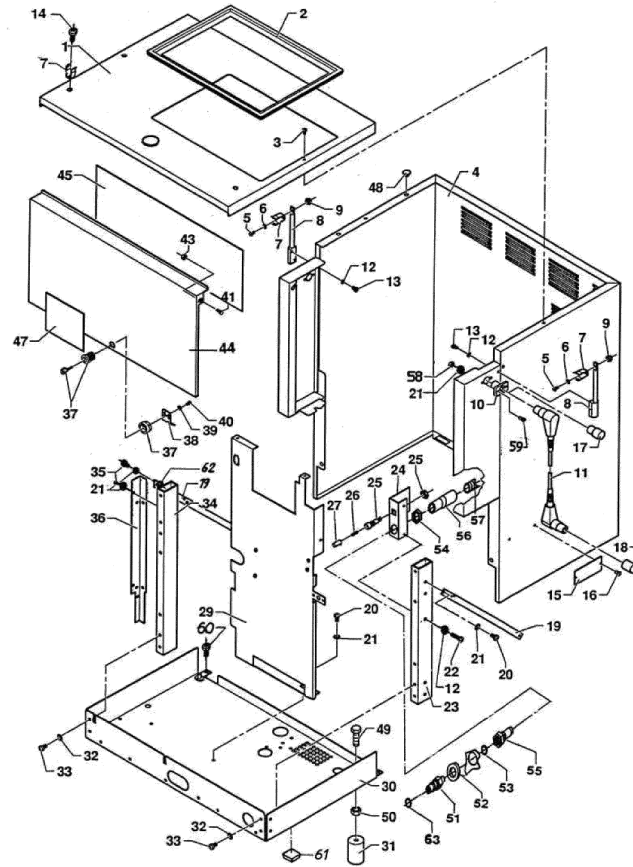
Pos.	Art.-Nr. Art. no.	Bezeichnung Tech-Info Service-Info	Designation Tech-Info Service-Info	EA1	EA2
44	33.0398.5000	O-Ring 2,90x1,78 EPDM	O-ring, 2.90x1.78 EPDM	-	-



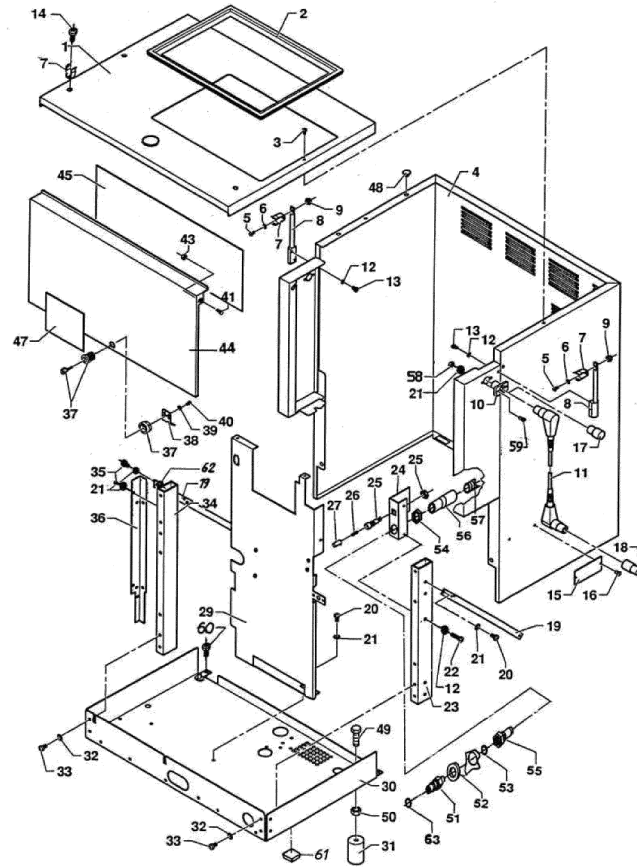
Pos.	Art.-Nr. Art. no.	Bezeichnung Tech-Info Service-Info	Designation Tech-Info Service-Info	EA1	EA2
1	33.1126.9000	Deckel lackiert	lid painted	-	-
1	33.1285.1000	MASCHINENDECKEL (bis 05/95)	cover (until May 1995) (until May 1995)	-	-
1	33.1238.3000	Deckel 03 7470 0001	lid 03 7470 0001	-	-
1	33.1190.4000	Deckel gebürstet	lid brushed	-	-
2	33.1548.6000	Dichtung	seal	-	-
3	00.0047.1911	Blech-Shr ISO 7049-ST3, 5x13-C-H-4.8-A2K	Sh.metal screw ISO 7049-ST3, 5x13-C-H-4.8	-	-
4	33.1256.7000	Rückwand, gebürstet kpl.	rear cover, brushed compl.	-	-
4	33.1850.9000	Rückwand, lackiert kpl.	rear cover, painted compl.	-	-
5	00.0047.3363	Flkopf-Schraube ISO 7045-M 4x10-1.4301-H	pan head screw ISO 7045-M 4x10-1.4301-H	-	-
6	00.0047.2251	Zahnscheibe DIN 6797-A 4,3-1.4300	tooth lock washer DIN 6797-A 4, 3-1.4300	-	-
7	33.1238.5000	Klammer	clamp	2	-
8	33.1238.1000	HALTER	holding device	1	-
9	00.0047.2098	Sechskantmutter ISO 10511-M 4-1.4301	hexagonnut ISO 10511-M 4-1.4301	-	-
10	33.1259.9000	Gerätestecker	appliance plug	2	-
11	33.1248.7100	Kabelsatz, Nachbrühfunktion	cable set, post-brewing function	1	-
12	00.0047.2251	Zahnscheibe DIN 6797-A 4,3-1.4300	tooth lock washer DIN 6797-A 4, 3-1.4300	-	-
13	00.0047.1400	Sechskant-Shr. ISO 4017-M 4x 6-1.4301	hexagon-screw ISO 4017-M 4x 6-1.4301	-	-
14	00.0047.2545	Blindniet 4,0x7,5-1.4541+1.4567	Rivet 4,0x7,5-1.4541+1.4567	-	-
16	00.0047.2546	Blindniet 3,2x4,8-AIMg2	Rivet 3,2x4,8-AIMg2	-	-



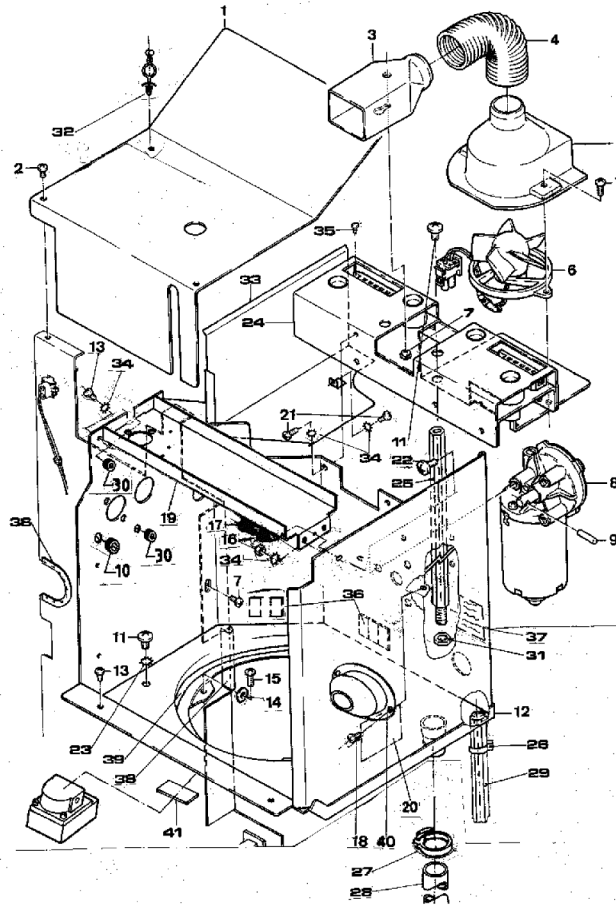
Pos.	Art.-Nr. Art. no.	Bezeichnung Tech-Info Service-Info	Designation Tech-Info Service-Info	EA1	EA2
17	33.1259.7000	Kabelbuchse	cable bushing	1	-
18	33.1253.5000	Kabelstecker	cable plug	1	-
19	33.1089.1000	Strebe	slat	-	-
20	00.0047.3385	Flkopf-Schraube ISO 7045-M 5x 6-1.4301-H	pan head screw ISO 7045-M 5x 6-1.4301-H	-	-
21	00.0047.2252	Zahnscheibe DIN 6797-A 5,3-1.4300	tooth lock washer DIN 6797-A 5, 3-1.4300	-	-
22	00.0047.3370	Flkopf-Schraube ISO 7045-M 4x22-1.4301-H	pan head screw ISO 7045-M 4x22-1.4301-H	-	-
23	33.1090.2000	Stütze, rechts	support, right	-	-
24	33.1234.3000	Halterung	holder	-	-
25	33.1596.9000	Sicherungshalter	retainer holder	2	-
26	33.9191.5000	Schmelzeinsatz	fusible link	-	-
27	33.1597.0000	Kappe	cap	-	-
29	33.1259.3000	Wärmeleitblech	heat transfer plate	-	-
29	33.1242.6000	Wärmeleitblech	heat transfer plate	-	-
30	33.1258.6000	Wanne, Boden	tray, base	-	-
31	33.1256.2000	Fuß	foot	-	-
32	00.0047.2257	Zahnscheibe DIN 6797-A 6,4-1.4300	tooth lock washer DIN 6797-A 6, 4-1.4300	-	-
33	00.0047.3404	Flkopf-Schraube ISO 7045-M 6x 8-1.4301-H	pan head screw ISO 7045-M 6x 8-1.4301-H	-	-
34	33.1090.1000	Stütze, links	support, left	-	-
35	00.0047.3385	Flkopf-Schraube ISO 7045-M 5x 6-1.4301-H	pan head screw ISO 7045-M 5x 6-1.4301-H	-	-



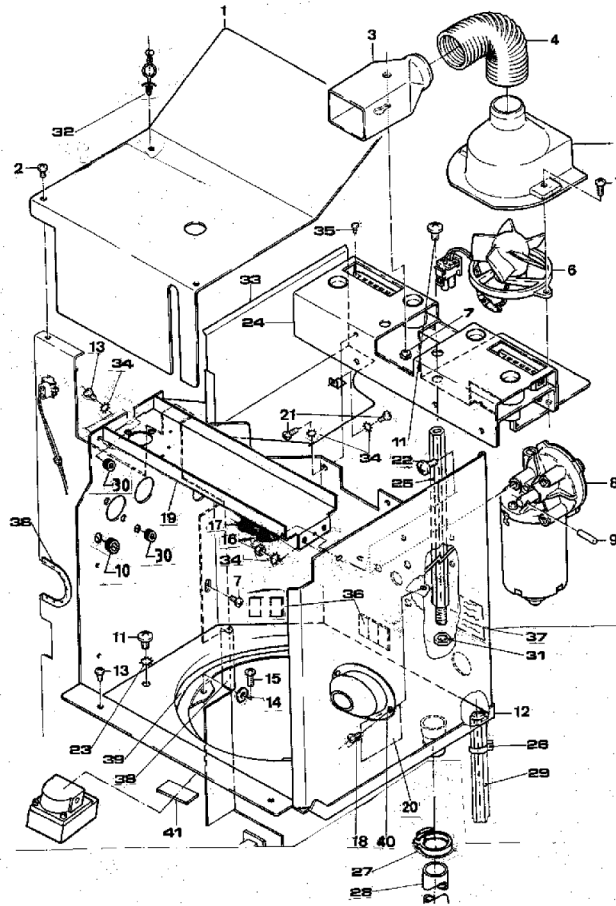
Pos.	Art.-Nr. Art. no.	Bezeichnung Tech-Info Service-Info	Designation Tech-Info Service-Info	EA1	EA2
36	33.1247.7000	Kabelabschirmung	cable shielding	-	-
37	33.1545.4000	Zylinderschloss	cylinder lock	-	-
38	33.1088.8000	Schließhebel	locking lever	-	-
39	00.0047.2250	Zahnscheibe DIN 6797-A 3,2-1.4300	tooth lock washer DIN 6797-A 3, 2-1.4300	-	-
40	00.0047.3316	Flkopf-Schraube ISO 7045-M 3x 6-1.4301-H	pan head screw ISO 7045-M 3x 6-1.4301-H	-	-
41	33.1337.3000	Schraube	screw	-	-
43	00.0047.2098	Sechskantmutter ISO 10511-M 4-1.4301	hexagonnut ISO 10511-M 4-1.4301	-	-
44	33.1289.5000	Tür, poliert	door, polished	-	-
45	33.1255.4000	Klebeschild	adhesive labels	-	-
46	33.1285.0000	ABDECKUNG bis Ende 1994	ABDECKUNG through end of 1994	-	-
47	33.1249.8000	Schild	label	-	-
48	33.1560.7000	Kupplung	coupling	-	-
49	00.0047.1418	Sechskant-Shr. ISO 4017-M 8x35-1.4301	hexagon-screw ISO 4017-M 8x35-1.4301	-	-
50	00.0047.2056	Sechskantmutter ISO 4032-M 8-1.4301	hexagonnut ISO 4032-M 8-1.4301	-	-
51	33.1417.4000	Nippel ab 03 7470 0002	plug as of 03 7470 0002	-	-
52	33.1295.4000	Dichtung ab 03 7470 0002	seal as of 03 7470 0002	-	-
53	33.0395.5000	O-Ring 17,12x2,62 EPDM ab 03 7470 0002	O-ring, 17.12x2.62 EPDM as of 03 7470 0002	-	-
54	33.1381.4000	Sechskantmutter ab 03 7470 0002	hexagon nut as of 03 7470 0002	-	-
55	33.1381.5000	Nippel ab 03 7470 0002	plug as of 03 7470 0002	-	-



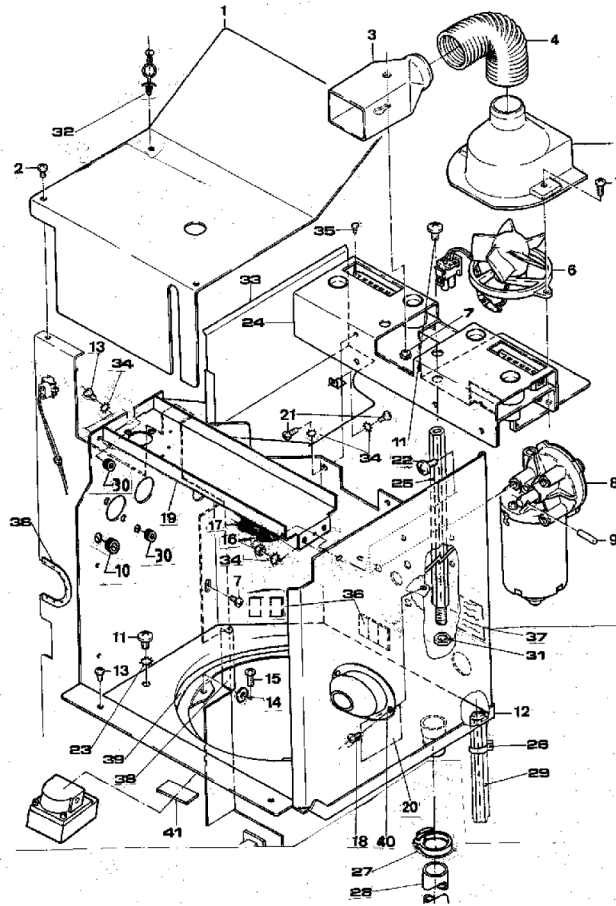
Pos.	Art.-Nr. Art. no.	Bezeichnung Tech-Info Service-Info	Designation Tech-Info Service-Info	EA1	EA2
56	33.1571.3000	Kupplung ab 03 7470 0002	coupling as of 03 7470 0002	-	-
57	00.0048.0042	Ablaufschlauch DN 19 PP grau	discharge hose DN 19 PP grey	-	-
58	00.0047.2097	Sechskantmutter ISO 10511-M 3-1.4301	hexagonnut ISO 10511-M 3-1.4301	-	-
59	00.0047.3107	Senkschraube ISO 7046-2-M 3x10-1.4301-H	counter sunk screw ISO 7046-2-M 3x10-1.4	-	-
60	00.0047.1181	Zylinderschraube ISO 4762-M 6x12-1.4301	cheese head screw ISO 4762-M 6x12-1.4301	-	-
61	33.0389.5000	Fuß	foot	-	-
62	00.0047.2190	Scheibe 5,3 DIN 7349-1.4301	washer 5,3 DIN 7349-1.4301	-	-
63	33.1523.3100	O-Ring 15,60x1,78 EPDM	O-ring, 15.60x1.78 EPDM	-	-



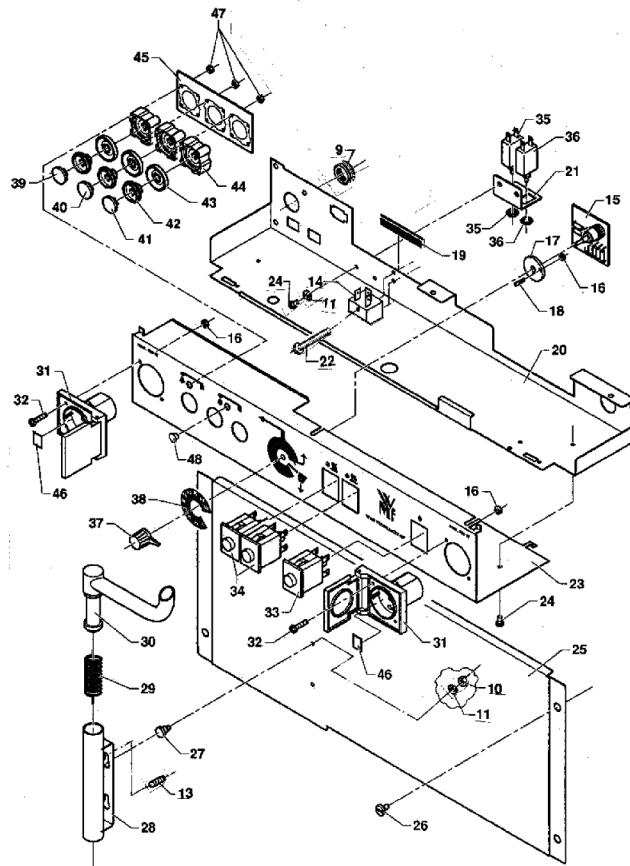
Pos.	Art.-Nr. Art. no.	Bezeichnung Tech-Info Service-Info	Designation Tech-Info Service-Info	EA1	EA2
1	33.1244.7000	Abdeckung	cover	-	-
1	33.1243.8000	Abdeckung	cover	-	-
2	00.0047.1884	Blech-Shr ISO 7049-ST3,5x9, 5-F-H-4.8-A2K	Sh.metal screw ISO 7049-ST3,5x9, 5-F-H-4.	-	-
3	33.1088.6000	Haube	cover	1	-
4	00.0048.0034	Spiralschlauch 32,0x2,5 PVC schwarz	spiral tube 32,0x2,5 PVC black	-	-
5	33.1091.6000	Haube	cover	1	-
6	33.1911.1000	Ventilator	fan	-	-
7	00.0047.1911	Blech-Shr ISO 7049-ST3, 5x13-C-H-4.8-A2K	Sh.metal screw ISO 7049-ST3, 5x13-C-H-4.8	-	-
8	33.1918.0000	Reinigungsmotor	cleaning motor	-	-
9	00.0047.2954	Spannstift ISO 8750-3x26-1.4301	dowel pin ISO 8750-3x26-1.4301	-	-
10	33.0630.4000	Durchführungsstülle	rubber funnel	-	-
11	00.0047.3404	Flkpf-Schraube ISO 7045-M 6x 8-1.4301-H	pan head screw ISO 7045-M 6x 8-1.4301-H	-	-
12	33.1254.6000	Schacht kpl.	chute compl.	-	-
13	00.0047.3358	Flkpf-Schraube ISO 7045-M 4x 6-1.4301-H	pan head screw ISO 7045-M 4x 6-1.4301-H	-	-
14	33.1484.6000	Dichtung	seal	-	-
15	00.0047.3385	Flkpf-Schraube ISO 7045-M 5x 6-1.4301-H	pan head screw ISO 7045-M 5x 6-1.4301-H	-	-
16	00.0047.2049	Sechskantmutter ISO 4032-M 4-1.4301	hexagonnut ISO 4032-M 4-1.4301	-	-
17	00.0047.3371	Flkpf-Schraube ISO 7045-M 4x28-1.4301-H	pan head screw ISO 7045-M 4x28-1.4301-H	-	-
18	00.0047.3316	Flkpf-Schraube ISO 7045-M 3x 6-1.4301-H	pan head screw ISO 7045-M 3x 6-1.4301-H	-	-



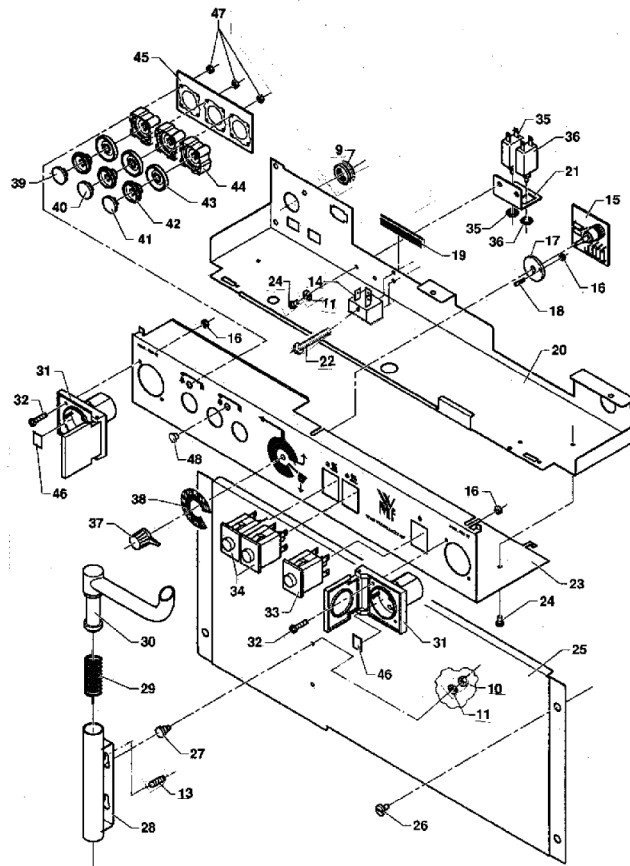
Pos.	Art.-Nr. Art. no.	Bezeichnung Tech-Info Service-Info	Designation Tech-Info Service-Info	EA1	EA2
19	33.1234.0000	Träger	bearing	-	-
21	00.0047.1910	Blech-Shr ISO 7049-ST4,2x9, 5-F-H-4.8-A2K	Sh.metal screw ISO 7049-ST4,2x9, 5-F-H-4.	-	-
22	00.0047.0142	Flachkopfschraube ISO 1580-M 6x10-1.4301	pan head screw ISO 1580-M 6x10-1.4301	-	-
23	00.0047.2257	Zahnscheibe DIN 6797-A 6,4-1.4300	tooth lock washer DIN 6797-A 6, 4-1.4300	-	-
24	33.1781.4000	Aufnahme kpl.	holder compl.	-	-
24	33.1255.6000	Aufnahme kpl.	holder compl.	-	-
25	33.1088.5000	Stütze	support	-	-
26	33.0649.3000	Kabelbinder	cable clip	-	-
27	33.1561.8000	Schlauchklemme	hose clamp	-	-
28	00.0048.0042	Ablaufschlauch DN 19 PP grau	discharge hose DN 19 PP grey	-	-
29	33.1088.4000	Stütze	support	-	-
30	33.1556.7000	Kabeldurchführung	cable pass-through	1	-
31	00.0047.2053	Sechskantmutter ISO 4032-M 5-1.4301	hexagonnut ISO 4032-M 5-1.4301	-	-
32	33.1502.2000	Kabelhalterung	cable support	-	-
33	33.1092.1000	WAND	wall	-	-
33	33.1245.8000	Wand	cover	-	-
34	00.0047.2251	Zahnscheibe DIN 6797-A 4,3-1.4300	tooth lock washer DIN 6797-A 4, 3-1.4300	-	-
35	00.0047.0061	Zylinderschraube ISO 1207-M 4x12-1.4301	cheese head screw ISO 1207-M 4x12-1.4301	-	-
36	33.0344.9000	Kabelbefestigung	cable attachment	-	-



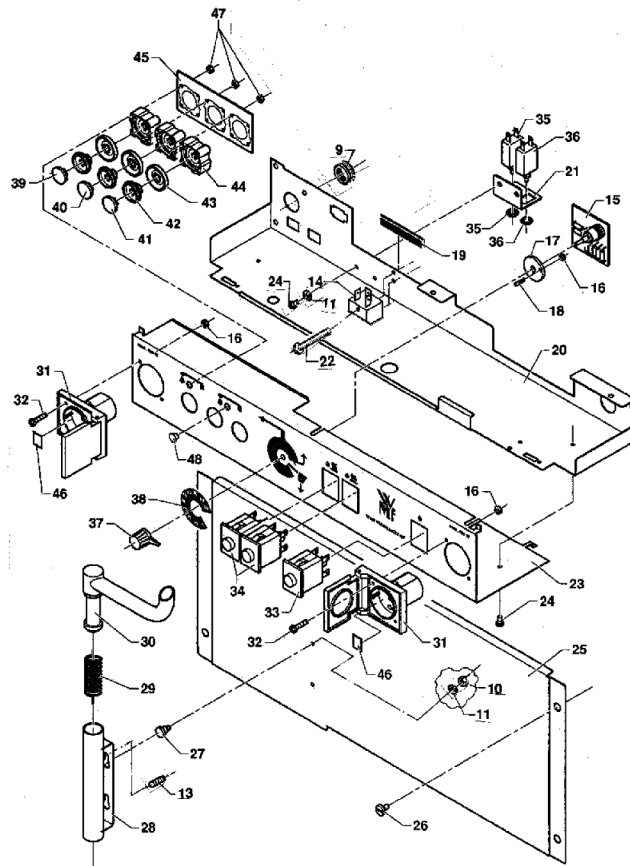
Pos.	Art.-Nr. Art. no.	Bezeichnung Tech-Info Service-Info	Designation Tech-Info Service-Info	EA1	EA2
37	33.0588.7000	Klebeschild	adhesive labels	-	-
38	00.0048.0090	Kantenschutz PE natur für Bl.st.1, 3-2,2	edge protection PE natur 1,3-2,2	-	-
39	00.0048.0636	Rundgummischnur 4,0 mm NP-QA 20 Shore A	gasket 4,0 mm NP-QA 20 Shore A	-	-
40	33.1232.7000	Haube	cover	-	-
41	33.1076.1000	Isolierplatte	insulated plate	-	-



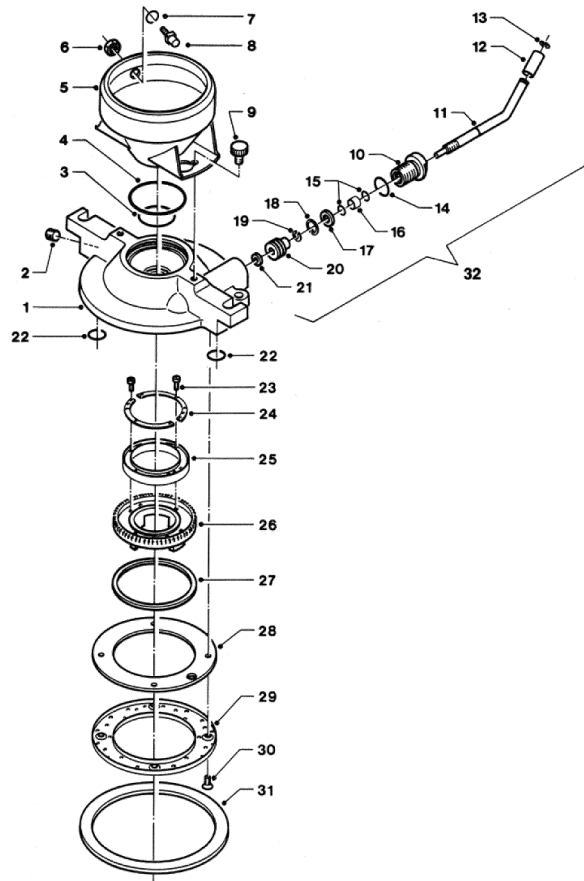
Pos.	Art.-Nr. Art. no.	Bezeichnung Tech-Info Service-Info	Designation Tech-Info Service-Info	EA1	EA2
9	33.0641.9000	Kabeltülle	cable sleeve	-	-
10	00.0047.2049	Sechskantmutter ISO 4032-M 4-1.4301	hexagonnut ISO 4032-M 4-1.4301	-	-
11	00.0047.2251	Zahnscheibe DIN 6797-A 4,3-1.4300	tooth lock washer DIN 6797-A 4, 3-1.4300	-	-
13	00.0047.2342	Gewindestift ISO 4766-M 3x 4-1.4301	Threaded pin ISO 4766-M 3x 4-1.4301	3	-
14	33.1658.0000	Steckerleiste	plug strip	-	-
15	33.1243.2100	Flachbaugruppe	flat assembly	1	-
16	00.0047.2046	Sechskantmutter ISO 4032-M 3-1.4301	hexagonnut ISO 4032-M 3-1.4301	-	-
17	33.1252.5000	Scheibe	washer	-	-
18	33.1252.6000	Stift	stud	-	-
19	00.0048.0093	Kantenschutz PVC schwarz Klemb. 1,0 mm	edge protection PVC black clamp. 1, 0 mm	-	-
20	33.1246.1000	Konsole	shelf	-	-
21	33.1247.6000	Winkel	angle	-	-
22	00.0047.3371	Flkopf-Schraube ISO 7045-M 4x28-1.4301-H	pan head screw ISO 7045-M 4x28-1.4301-H	-	-
23	33.1235.6000	Vorderwand	front cover	-	-
23	33.2045.1000	Vorderwand ab Version 1.2	front cover from Version 1.2	-	-
24	00.0047.3358	Flkopf-Schraube ISO 7045-M 4x 6-1.4301-H	pan head screw ISO 7045-M 4x 6-1.4301-H	-	-
25	33.1234.7000	Abdeckung	cover	-	-
25	33.1285.0000	ABDECKUNG gebürstet	ABDECKUNG brushed	-	-
25	33.1289.6000	Abdeckung poliert	cover polished	-	-



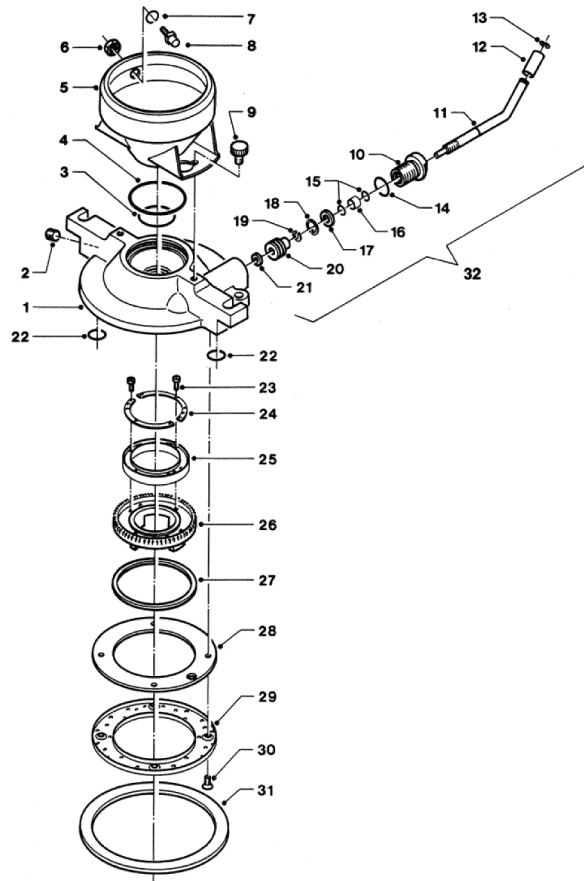
Pos.	Art.-Nr. Art. no.	Bezeichnung Tech-Info Service-Info	Designation Tech-Info Service-Info	EA1	EA2
26	33.1339.4000	Schraube	screw	5	-
27	33.1342.1000	Bolzen	bolt	-	-
28	33.9750.9000	Halterung lang, tiefergelegte Tropfschale	holder long, lower drip tray	-	-
28	33.1781.1000	Halterung	holder	-	-
29	33.1549.0000	Feder	spring	3	-
30	33.1781.2000	Auslauf kpl.	spout compl.	-	-
31	33.1251.5000	Einbausteckdose	installed outlet	1	-
32	00.0047.3107	Senkschraube ISO 7046-2-M 3x10-1.4301-H	counter sunk screw ISO 7046-2-M 3x10-1.4	-	-
33	33.1241.7000	Schalter	switch	1	-
34	33.1671.5000	Schalter	switch	1	-
35	33.1657.1000	Überstromschutzschalter 0,7 A	overload safety switch 0.7 A	1	-
36	33.1657.0000	Überstromschutzschalter 2,5 A	overload safety switch 2.5 A	1	-
37	33.1241.9000	Drehgriff	turning knob	1	-
38	33.1276.1000	Klebeschild	adhesive labels	-	-
39	33.1568.9000	Taste, HW	button, hot water	-	-
40	33.1573.9000	Taste, normal	button, normal	1	-
41	33.1569.5000	Taste, spezial	button, special	-	-
42	33.1562.5000	Druckstück	pressure plate	-	-
43	33.1562.6000	Membrane	membrane	-	-
44	33.1557.4000	Reflektor	reflector	-	-



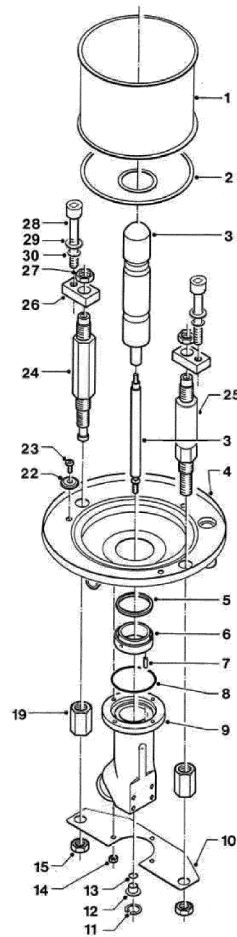
Pos.	Art.-Nr. Art. no.	Bezeichnung Tech-Info Service-Info	Designation Tech-Info Service-Info	EA1	EA2
45	33.1947.6100	Flachbaugruppe	flat assembly	1	-
46	33.1531.8000	Klebeschild	adhesive labels	-	-
47	00.0047.2097	Sechskantmutter ISO 10511-M 3-1.4301	hexagonnut ISO 10511-M 3-1.4301	-	-
48	33.1497.6000	Blende	aperture	3	-



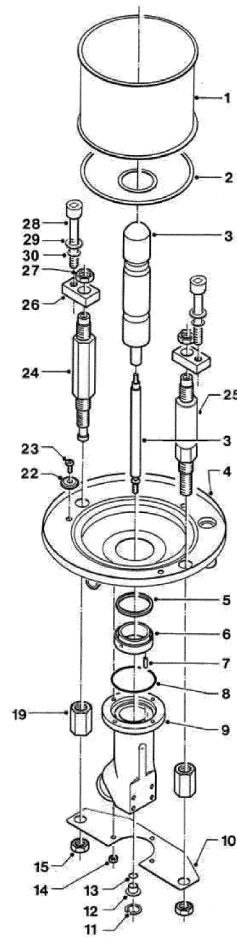
Pos.	Art.-Nr. Art. no.	Bezeichnung Tech-Info Service-Info	Designation Tech-Info Service-Info	EA1	EA2
	33.2753.6099	Brüheinheit	brewing unit	-	-
1	33.1359.5000	Deckel	lid	-	-
2	00.0048.4904	Kleber-Loctite-270-grün fluoreszierend	Adhesive-Loctite-270-green fluorescend	-	-
2	00.0048.4903	Aktivator N Loctite 7649	Activator N Loctite 7649	-	-
2	00.0047.2362	Gewindestift ISO 4026-M 8x1x 6-1.4301	Threaded pin ISO 4026-M 8x1x 6-1.4301	-	-
3	33.0590.4000	O-Ring 31,34x3,53 EPDM	O-ring, 31.34x3.53 EPDM	-	-
4	33.1584.8000	O-Ring 50,00x2,50 EPDM	O-ring, 50.00x2.50 EPDM	-	-
5	33.1800.0100	Trichter kpl.	funnel compl.	-	-
6	33.0220.0000	Sechskantmutter	hexagon nut	-	-
7	33.0397.0000	O-Ring 6,07x1,78 EPDM	O-ring, 6.07x1.78 EPDM	-	-
8	33.2127.6000	Düse	nozzle	-	-
9	33.1345.0000	Drehgriff	turning knob	2	-
13	00.0047.2242	Sicherungsscheibe DIN 6799- 3, 2-1.4122	locking washer DIN 6799- 3,2-1.4122	-	-
14	33.0399.1000	O-Ring 17,17x1,78 EPDM	O-ring, 17.17x1.78 EPDM	-	-
15	33.0398.4000	O-Ring 5,28x1,78 EPDM	O-ring, 5.28x1.78 EPDM	-	-
21	33.0210.5000	Scheibe	washer	-	-
22	33.0394.8000	O-Ring 12,37x2,62 EPDM	O-ring, 12.37x2.62 EPDM	-	-
23	00.0047.0053	Zylinderschraube ISO 1207-M2, 5x10-1.4301	cheese head screw ISO 1207-M2, 5x10-1.4301	-	-
24	33.0060.6000	Blechring	metal ring	-	-



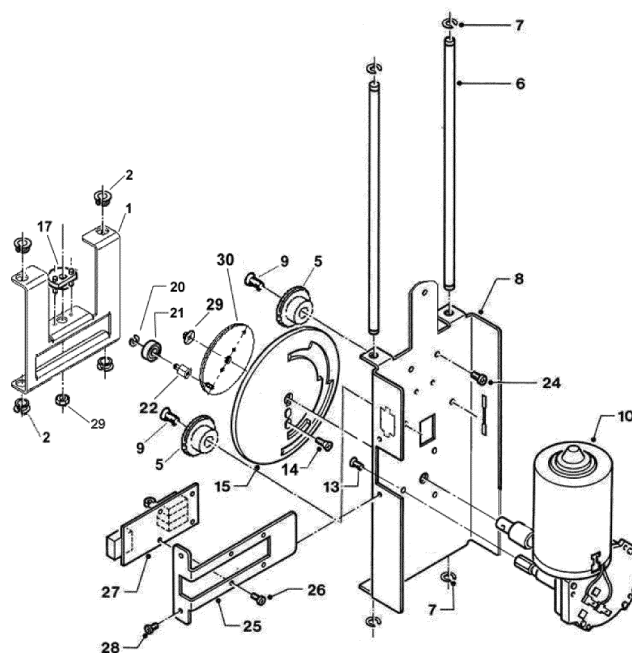
Pos.	Art.-Nr. Art. no.	Bezeichnung Tech-Info Service-Info	Designation Tech-Info Service-Info	EA1	EA2
25	33.0590.0000	Dichtung	seal	-	-
26	33.0153.3000	Spritzring	splash ring	-	-
27	33.0154.7000	Lager	bearing	-	-
28	33.0053.3000	Ring	ring	-	-
29	33.0053.4000	Verteilersieb	distributor sieve	-	-
30	00.0047.3112	Senkschraube ISO 7046-2-M 4x 8-1.4301-H	counter sunk screw ISO 7046-2-M 4x 8-1.4	-	-
31	33.0590.1000	Dichtring	sealing ring	-	-
32	00.0048.7705	Dichtungs-Schmierstoff Molykote 111	sealing grease Molykote 111	-	-
32	00.0048.7702	Schmierfett Paraliq GA 343 Nr. 096021	Grease Paraliq GA 343 Nr. 096021	-	-
32	33.1785.2099	Kurbel Pos. 10-21	crank pos no. 10-21	-	-
A	33.1800.2099	Oberteil kpl.	upper part compl.	-	-



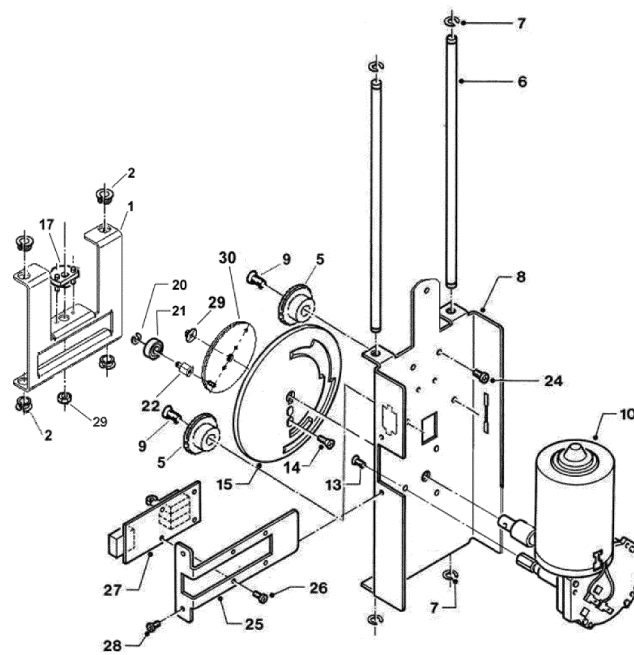
Pos.	Art.-Nr. Art. no.	Bezeichnung Tech-Info Service-Info	Designation Tech-Info Service-Info	EA1	EA2
	33.2753.6099	Brüheinheit	brewing unit	-	-
1	33.1145.3000	Zylinder	cylinder	-	-
2	33.0771.1000	Brühsieb kpl.	brewing sieve compl.	-	-
2	33.0363.7000	Dichtung	seal	-	-
3	33.1571.6000	Stößel kpl.	ram compl.	-	-
4	33.1777.5000	Brüherunterteil kpl.	brewer lower part compl.	-	-
5	33.1542.9000	O-Ring 32,99x2,62 EPDM	O-Ring 32,99x2,62 EPDM	-	-
6	33.1333.8100	Buchse	bushing	-	-
7	00.0047.2951	Kerbstift ISO 8741-2x12-1.4301	Grooved pin ISO 8741-2x12-1.4301	-	-
8	33.0395.6000	O-Ring 40,87x3,53 EPDM	O-ring, 40.87x3.53 EPDM	-	-
9	33.2119.1000	Ablauf	drain	-	-
10	33.1090.4000	Platte	plate	-	-
11	00.0047.2238	Sicherungsring DIN 472-18x1, 0-1.4122	locking ring DIN 472-18x1,0-1.4122	-	-
12	33.0552.5000	Buchse	bushing	-	-
13	33.0396.1000	O-Ring 7,65x1,78 NBR	O-ring, 7.65x1.78 NBR	-	-
14	00.0047.2053	Sechskantmutter ISO 4032-M 5-1.4301	hexagonnut ISO 4032-M 5-1.4301	-	-
15	33.0227.7000	Sechskantmutter	hexagon nut	-	-
19	33.0553.0000	Mutter	nut	-	-
22	33.1459.5000	Ring	ring	-	-



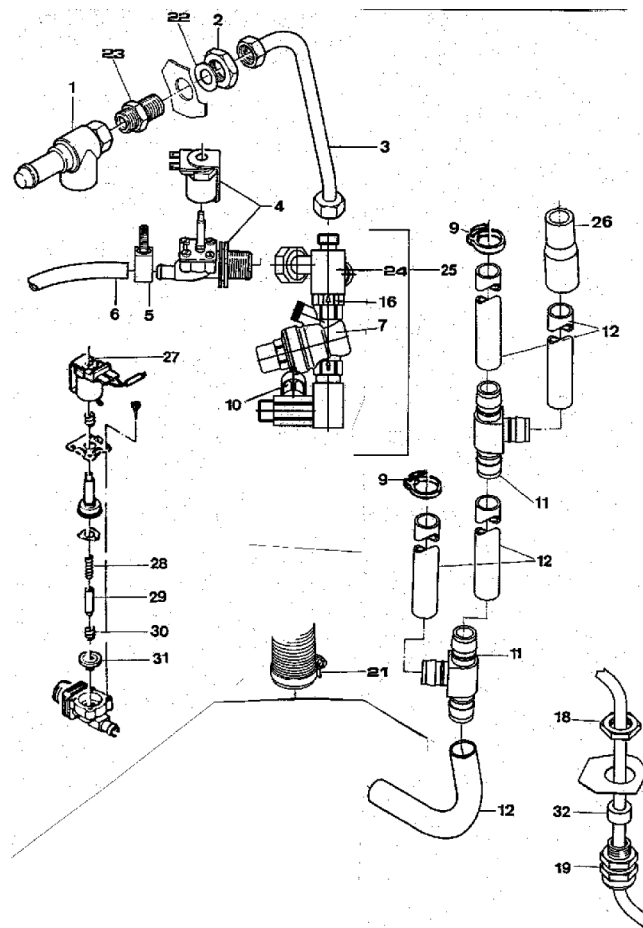
Pos.	Art.-Nr. Art. no.	Bezeichnung Tech-Info Service-Info	Designation Tech-Info Service-Info	EA1	EA2
23	00.0047.3388	Flkpf-Schraube ISO 7045-M 5x 8-1.4301-H	pan head screw ISO 7045-M 5x 8-1.4301-H	-	-
24	33.1339.2000	Anschluss	connection	-	-
25	33.2127.3000	Anschluss	connection	-	-
26	33.1094.2000	Lager	bearing	-	-
27	33.0162.9000	Mutter	nut	-	-
27	00.0048.4906	Kleber-Loctite-243-blau	Adhesive-Loctite-243-blue	-	-
27	00.0048.4903	Aktivator N Loctite 7649	Activator N Loctite 7649	-	-
28	00.0047.1185	Zylinderschraube ISO 4762-M 8x60-1.4301	cheese head screw ISO 4762-M 8x60-1.4301	-	-
29	00.0047.2105	Scheibe ISO 7089- 8-1.4301	washer ISO 7089- 8-1.4301	-	-
30	33.0397.0000	O-Ring 6,07x1,78 EPDM	O-ring, 6.07x1.78 EPDM	-	-



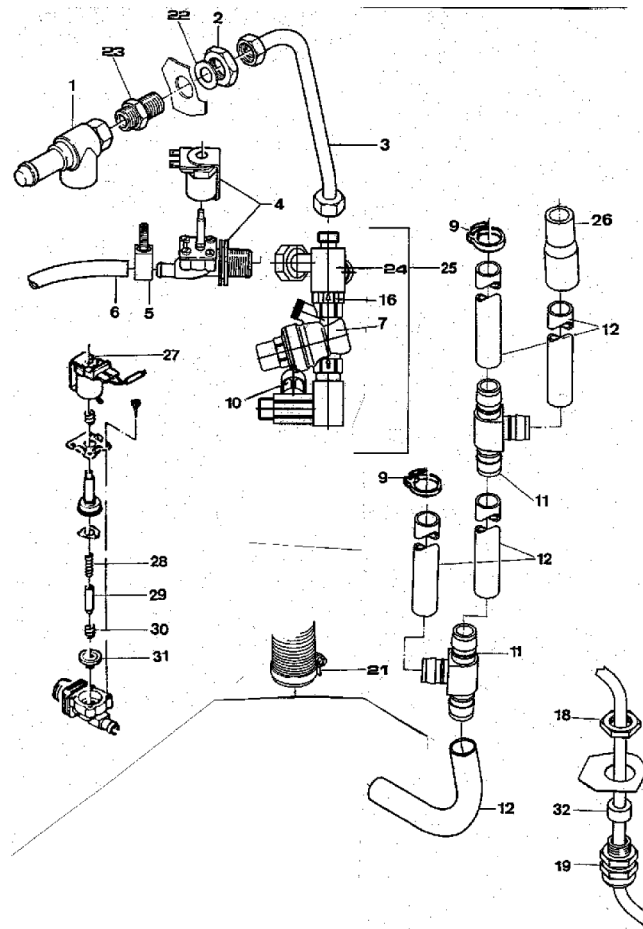
Pos.	Art.-Nr. Art. no.	Bezeichnung Tech-Info Service-Info	Designation Tech-Info Service-Info	EA1	EA2
	33.2753.6099	Brüheinheit	brewing unit	-	-
1	33.2092.5000	Schieber	slider	-	-
2	33.0590.7000	Buchse	bushing	-	-
5	33.2092.3000	Scheibe	washer	-	-
6	33.2092.2000	Stange	rod	-	-
7	00.0047.2240	Sicherungsscheibe DIN 6799-5-1.4122	locking washer DIN 6799- 5-1.4122	-	-
8	33.2092.4000	Halterung	holder	-	-
9	00.0047.2251	Zahnscheibe DIN 6797-A 4,3-1.4300	tooth lock washer DIN 6797-A 4, 3-1.4300	-	-
9	00.0047.3363	Flkopf-Schraube ISO 7045-M 4x10-1.4301-H	pan head screw ISO 7045-M 4x10-1.4301-H	-	-
10	33.2753.5000	Motor	motor	-	-
13	00.0048.4906	Kleber-Loctite-243-blau	Adhesive-Loctite-243-blue	-	-
13	00.0047.3112	Senkschraube ISO 7046-2-M 4x 8-1.4301-H	counter sunk screw ISO 7046-2-M 4x 8-1.4	-	-
14	00.0047.3112	Senkschraube ISO 7046-2-M 4x 8-1.4301-H	counter sunk screw ISO 7046-2-M 4x 8-1.4	-	-
15	33.0295.5000	Kontaktscheibe	contact washer	-	-
17	33.1785.3000	Scheibe	washer	-	-
21	33.0668.6000	Kugellager	ball bearing	-	-
21	00.0048.4906	Kleber-Loctite-243-blau	Adhesive-Loctite-243-blue	-	-
22	33.2232.2000	Bolzen	bolt	-	-
24	00.0047.1424	Sechskant-Shr. ISO 4017-M 5x10-1.4301	hexagon-screw ISO 4017-M 5x10-1.4301	-	-



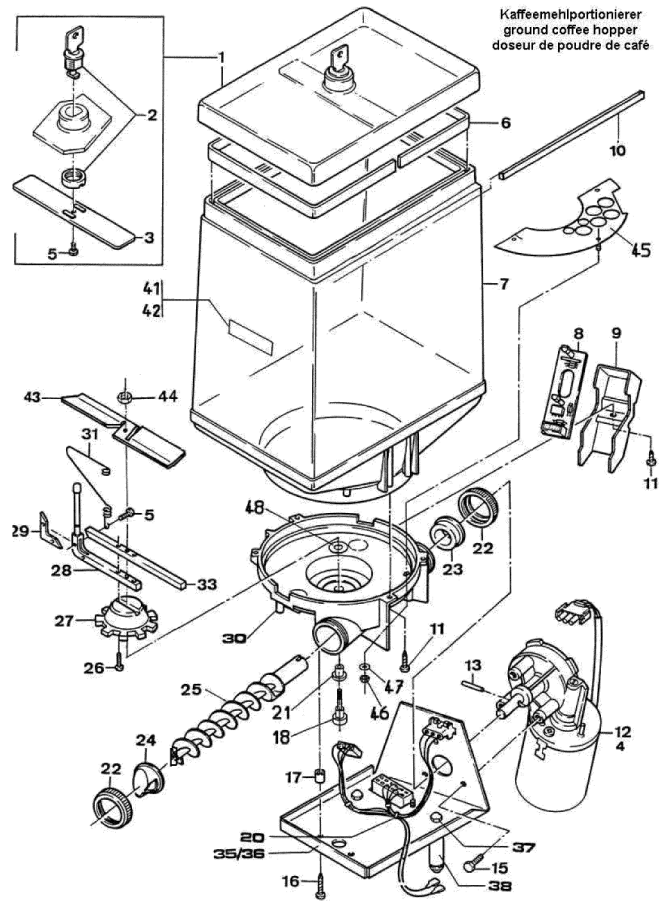
Pos.	Art.-Nr. Art. no.	Bezeichnung Tech-Info Service-Info	Designation Tech-Info Service-Info	EA1	EA2
25	33.1174.8000	Schieber	slider	-	-
26	00.0047.3313	Flkpf-Schraube ISO 7045-M 3x 5-1.4301-H	pan head screw ISO 7045-M 3x 5-1.4301-H	-	-
27	33.1942.0100	Brüherendschalter	brewer end switch	-	-
27	33.1942.0100	Brüherendschalter	brewer end switch	-	-
28	00.0047.3363	Flkpf-Schraube ISO 7045-M 4x10-1.4301-H	pan head screw ISO 7045-M 4x10-1.4301-H	-	-
28	00.0047.3358	Flkpf-Schraube ISO 7045-M 4x 6-1.4301-H	pan head screw ISO 7045-M 4x 6-1.4301-H	-	-
29	00.0047.2101	Comby-SHB-Mutter-M5-Selbstsiche rnd-A2K	Comby-SHB-nut-M5-Selbstsichernd -A2K	-	-
30	33.2756.0000	Platte	plate	-	-



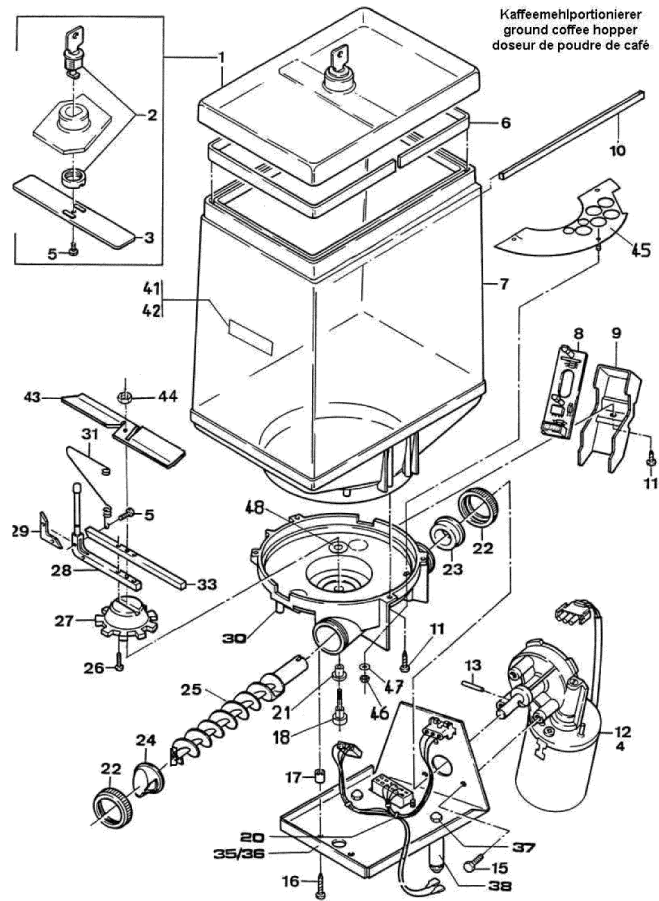
Pos.	Art.-Nr. Art. no.	Bezeichnung Tech-Info Service-Info	Designation Tech-Info Service-Info	EA1	EA2
1	33.0594.1100	Sicherheitsventil-3,2-bar	safety valve-3,2-bar	-	-
2	33.1312.5000	Mutter	nut	-	-
3	33.1775.7000	Anschlussrohr	connection pipe	-	-
4	33.1496.9000	Ventil 3/2 NW10,0 kpl.	valve 3/2 NW10.0 compl.	-	-
4	33.1521.0000	Ventil 2/2 NW10,0	valve 2/2 NW10.0	-	-
5	33.0650.7000	Schlauchklemme	hose clamp	-	-
6	00.0048.0013	Schlauch 12,0x2,5 Silicon mit Rayonumfl.	Hose 12.0x2.5 silicone w. Rayon braiding	-	-
7	33.1406.5000	Reduzierventil 2,6 bar	reduction valve 2.6 bar	-	-
7	33.1394.3000	Kartusche	cartridge	-	-
9	33.1561.8000	Schlauchklemme	hose clamp	-	-
10	33.1642.9000	Druckwächter	pressure monitor	-	-
11	33.1543.5000	Schlauchverbinder T	hose connector T	-	-
12	00.0048.0042	Ablaufschlauch DN 19 PP grau	discharge hose DN 19 PP grey	-	-
16	33.0592.8000	Rückflußverhinderer	non-return valve	-	-
18	33.1658.2000	Mutter	nut	-	-
19	33.1657.2000	Zugentlastung	strain relief	-	-
20	33.1338.4000	Nippel	plug	-	-
20	33.9444.7000	Nippel	plug	-	-
20	33.9444.8000	Nippel	plug	-	-
21	33.0326.1000	Schlauchverbinder	hose connector	-	-



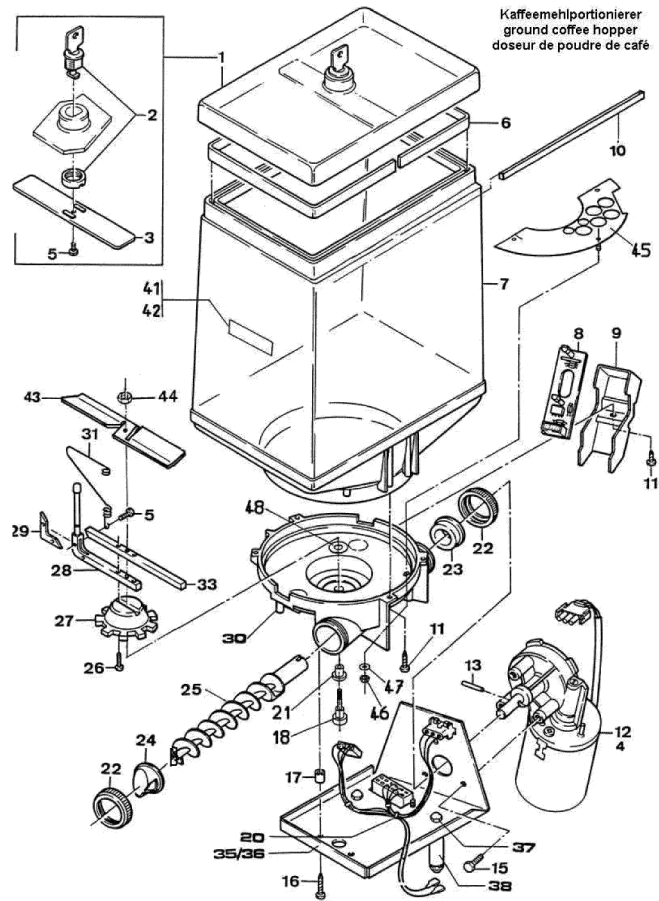
Pos.	Art.-Nr. Art. no.	Bezeichnung Tech-Info Service-Info	Designation Tech-Info Service-Info	EA1	EA2
22	33.0063.5000	Dichtring	sealing ring	-	-
23	33.1331.2000	Doppelnippel	double nipple	-	-
24	33.1774.8000	Anschluss kpl.	connection compl.	-	-
25	33.2747.4099	Armatur kpl.	fitting compl.	-	-
25	33.1775.8099	Armatur kpl.	fitting compl.	-	-
26	33.1571.3000	Kupplung	coupling	-	-
27	33.1455.0000	Magnetspule	solenoid	-	-
28	33.1455.4000	Druckfeder	pressure spring	-	-
29	33.1455.5000	Kern kpl.	core compl.	-	-
30	33.1455.6000	Druckfeder	pressure spring	-	-
31	33.1455.7000	Membrane kpl.	membrane compl.	-	-
32	33.1559.3000	Dichtung	seal	-	-
33	33.1381.7000	Doppelnippel, G1/2A x G1/2A ohne Abb.	double nipple, G1/2A x G1/2A without illustration	-	-
100	00.0048.7909	Dichtungskitt Rada	sealing material	-	-



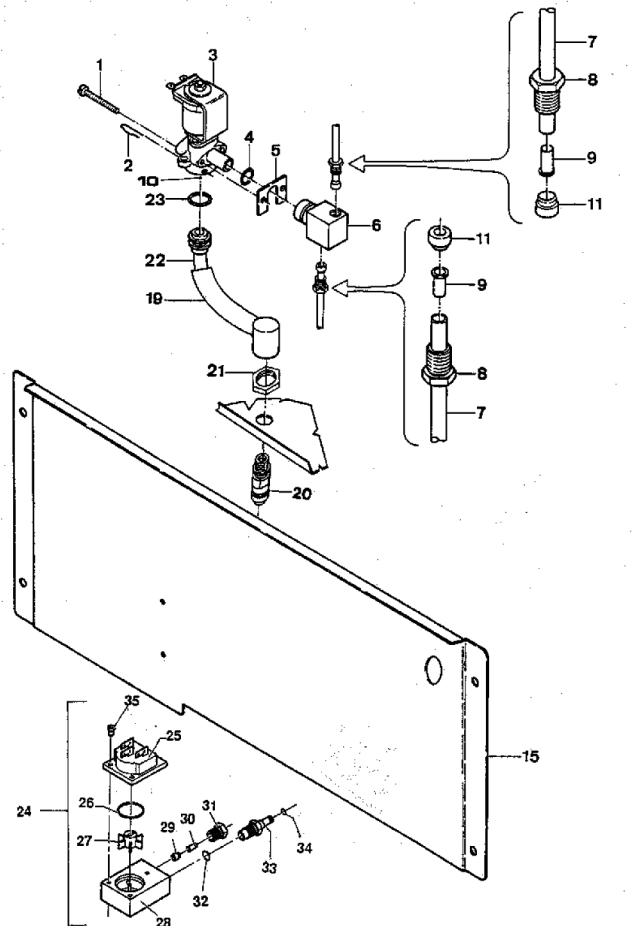
Pos.	Art.-Nr. Art. no.	Bezeichnung Tech-Info Service-Info	Designation Tech-Info Service-Info	EA1	EA2
1	33.2736.9000	Deckel	lid	-	-
2	33.1545.4000	Zylinderschloss	cylinder lock	-	-
3	33.1075.1000	Schließhebel	locking lever	-	-
4	33.1883.1000	Impulsgeber	pulse transmitter	-	-
5	00.0047.0110	Flachkopfschraube ISO 1580-M 3x 6-1.4301	pan head screw ISO 1580-M 3x 6-1.4301	-	-
6	00.0048.0676	Schaum-Silikon-Band 5x3 mm Rau-Sik 804	foamed silicone-tape 5x3 mm Rau-Sik 804	-	-
7	33.2739.0000	Behälter	hopper	-	-
8	33.1940.8100	Lichtschanke	light barrier	-	-
9	33.1074.1000	Abdeckkappe	cap	-	-
10	00.0048.0677	Profil-Dichtung	gasket	-	-
11	00.0047.3640	EJOT PT-Schraube KA 30x 8-WN 1411-A2	EJOT PT-screw KA 30x 8-WN 1411-A2	-	-
12	33.1883.2000	Motor	motor	-	-
13	00.0047.2960	Spannstift ISO 8748-3x20-1.4301	dowel pin ISO 8748-3x20-1.4301	-	-
15	00.0047.1434	Zahn-6Kt-Shr. ohne DIN M 6x10-A4-80	toothed hex screw M 6x10-A4-80	-	-
16	00.0047.3643	Blech-Shr ISO 7049-ST4, 2x25-F-H-4.8-A2L	Sh.metal screw ISO 7049-ST4, 2x25-F-H-4.8	-	-
17	33.1094.5000	Distanzstück	spacer	-	-
18	33.2056.6000	Passschraube	fitting bolt	-	-
20	33.1248.8000	Kabelbaum	cable harness	-	-
21	33.2008.5000	Hülse	sleeve	-	-



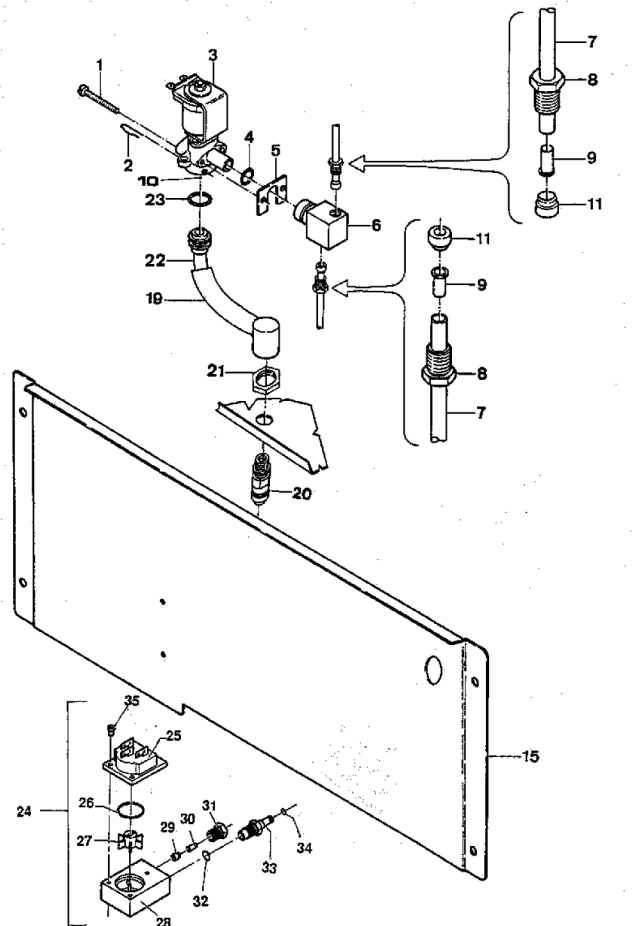
Pos.	Art.-Nr. Art. no.	Bezeichnung Tech-Info Service-Info	Designation Tech-Info Service-Info	EA1	EA2
22	33.1325.0000	Mutter	nut	-	-
23	33.1324.9000	Lager	bearing	-	-
24	33.1067.0000	Hülse	sleeve	-	-
25	33.1537.8200	Dosierschnecke	metering worm	-	-
26	00.0047.3321	Flkupf-Schraube ISO 7045-M 3x12-1.4301-H	pan head screw ISO 7045-M 3x12-1.4301-H	-	-
27	33.1066.9000	Förderkegel	feed cone	-	-
28	33.1090.3000	Abstreifer	scraper	-	-
29	33.1541.0000	Abstreifer	scraper	-	-
30	33.2042.2299	Unterteil	lower part	-	-
31	33.1538.9000	Feder	spring	-	-
33	33.1088.2000	Auflage	rest	-	-
35	33.1088.0000	Halterung, links	holder, left	-	-
36	33.1088.1000	Halterung, rechts	holder, right	-	-
37	00.0047.1434	Zahn-6Kt-Shr. ohne DIN M 6x10-A4-80	toothed hex screw M 6x10-A4-80	-	-
38	33.1329.1000	Bolzen	bolt	-	-
41	33.1251.1000	Klebeschild Special	adhesive labels special	-	-
42	33.1251.2000	Klebeschild Normal	adhesive labels regular	-	-
43	33.1285.5000	Winkel, rechts	angle, right	-	-
43	33.1285.4000	Winkel, links	angle, left	-	-



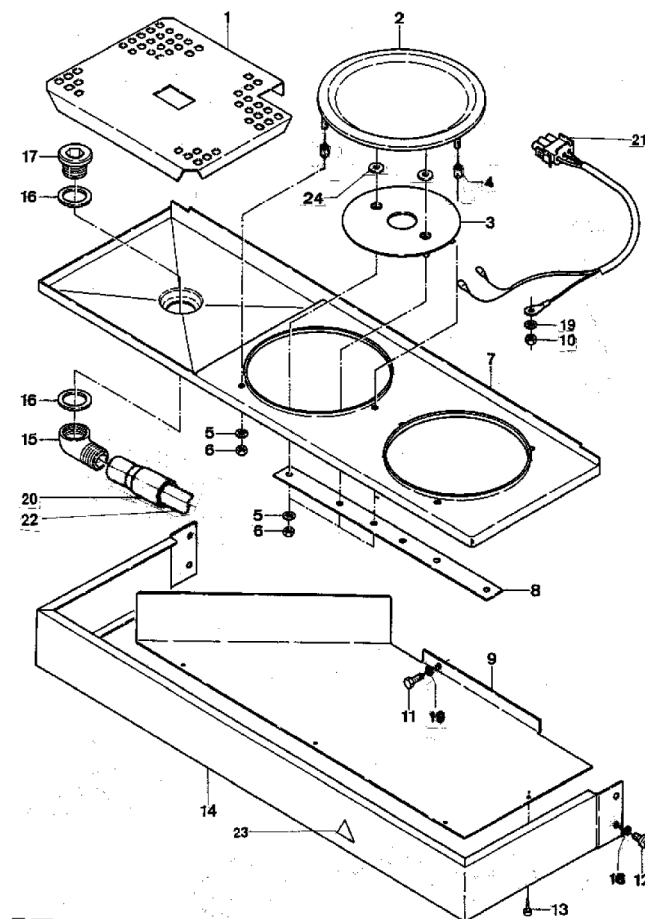
Pos.	Art.-Nr. Art. no.	Bezeichnung Tech-Info Service-Info	Designation Tech-Info Service-Info	EA1	EA2
44	00.0047.2098	Sechskantmutter ISO 10511-M 4-1.4301	hexagonnut ISO 10511-M 4-1.4301	-	-
45	33.2042.5000	Blech, links	plate, left	-	-
45	33.2042.4000	Blech, rechts	plate, right	-	-
46	00.0047.2097	Sechskantmutter ISO 10511-M 3-1.4301	hexagonnut ISO 10511-M 3-1.4301	-	-
47	00.0047.2197	Scheibe ISO 7093-1-4-200HV-1.4301	washer ISO 7093-1-4-200HV-1.4301	-	-
48	33.1115.4000	Scheibe	washer	-	-
100	33.2739.2099	Kaffeemehlportionierer, links	ground coffee portioner, left	-	-
101	33.2739.3099	Kaffeemehlportionierer, rechts	ground coffee portioner, right	-	-



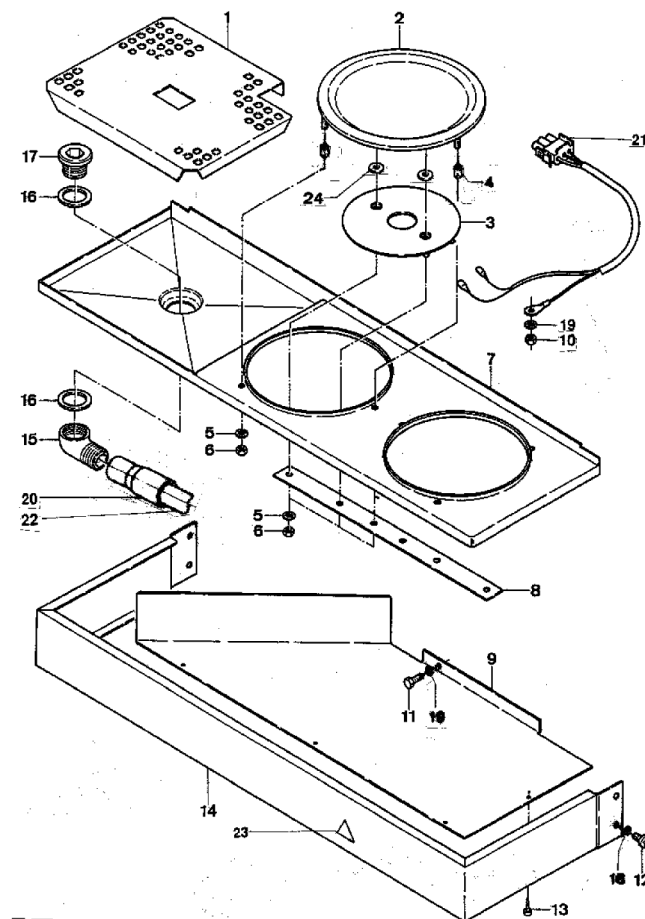
Pos.	Art.-Nr. Art. no.	Bezeichnung Tech-Info Service-Info	Designation Tech-Info Service-Info	EA1	EA2
1	00.0047.0117	Flachkopfschraube ISO 1580-M 4x35-1.4301	pan head screw ISO 1580-M 4x35-1.4301	-	-
2	33.1553.4000	Federklammer	spring clip	-	-
3	33.1531.1000	Ventil 2/2 NW8,0	valve 2/2 NW8.0	-	-
4	33.0395.4000	O-Ring 10,82x1,78 EPDM	O-ring, 10.82x1.78 EPDM	-	-
5	33.1065.4000	Platte	plate	-	-
6	33.1352.2000	Anschluss	connection	-	-
7	00.0048.4956	Schlauch 4,0x1,0 PTFE	tube 4,0x1,0 PTFE	-	-
8	33.1311.0000	Nippel	plug	-	-
9	33.0357.9000	Stützhülse	carrying bracket	-	-
10	33.1552.5000	Membrane	membrane	-	-
11	33.0357.8000	Klemmring	clamping ring	-	-
15	33.1289.6000	Abdeckung poliert	cover polished	-	-
15	33.1234.7000	Abdeckung	cover	-	-
15	33.1285.0000	ABDECKUNG gebürstet	ABDECKUNG brushed	-	-
19	00.0048.0026	Spiralschlauch 9,0x1,6 PE transparent	spiral tube 9,0x1,6 PE transparent	-	-
20	33.1234.2000	Auslauf	spout	-	-
21	33.0130.4000	Sechskantmutter	hexagon nut	-	-
22	33.1250.4000	Rohr kpl.	pipe compl.	-	-
23	33.1548.4000	O-Ring 13,00x2,50 MVQ	O-ring 13.00x2.50 MVQ	-	-
24	33.1289.2000	Durchflussmengenmesser	flow meter	-	-



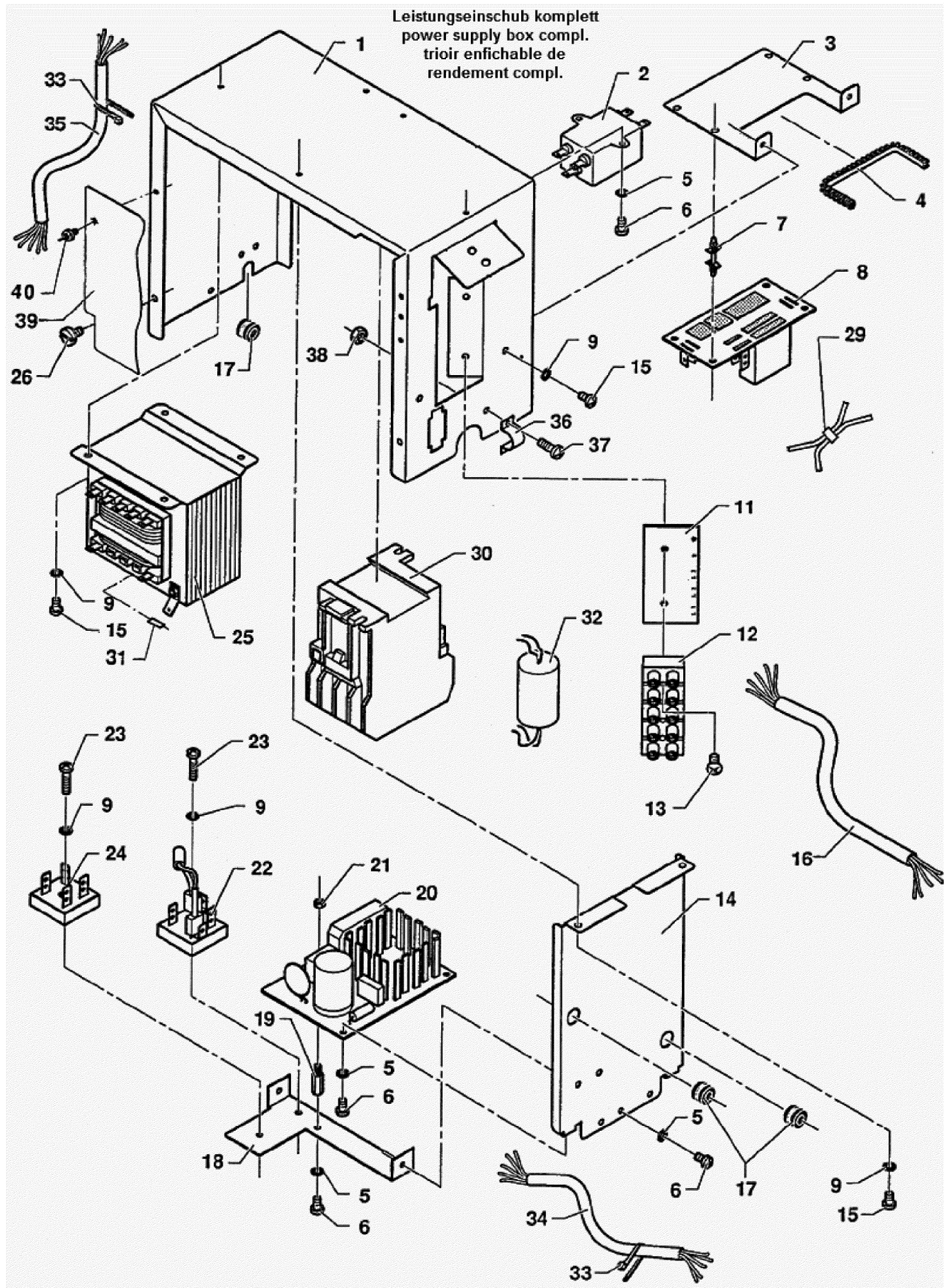
Pos.	Art.-Nr. Art. no.	Bezeichnung Tech-Info Service-Info	Designation Tech-Info Service-Info	EA1	EA2
29	33.0357.8000	Klemmring	clamping ring	-	-
30	33.0357.9000	Stützhülse	carrying bracket	-	-
31	33.1320.9000	Nippel	plug	-	-
32	33.0396.1000	O-Ring 7,65x1,78 NBR	O-ring, 7.65x1.78 NBR	-	-
33	33.1337.4000	Nippel	plug	1	-
34	33.0396.3000	O-Ring 4,47x1,78 NBR	O-ring, 4.47x1.78 NBR	-	-



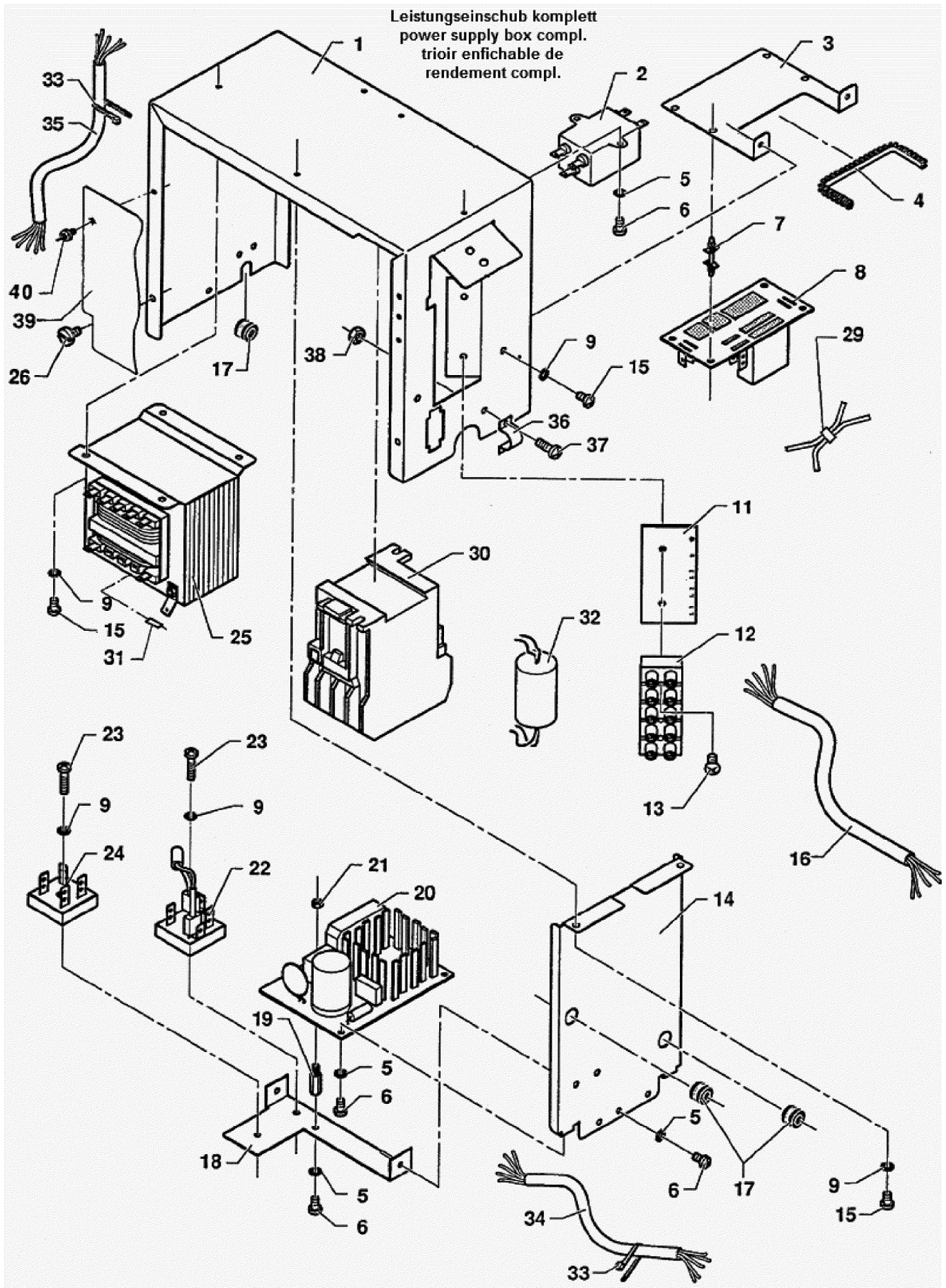
Pos.	Art.-Nr. Art. no.	Bezeichnung Tech-Info Service-Info	Designation Tech-Info Service-Info	EA1	EA2
1	33.9413.0000	Tropfblech, Einlage ohne Heizplatten	funnel, inlay without heating plates	-	-
1	33.1111.3000	Tropfblech, Einlage	funnel, inlay	-	-
2	33.1452.4000	Heizplatte	heating plate	-	-
3	33.1599.8000	Heizplatte	heating plate	2	-
4	33.1362.8000	Hülse	sleeve	-	-
5	00.0047.2251	Zahnscheibe DIN 6797-A 4,3-1.4300	tooth lock washer DIN 6797-A 4, 3-1.4300	-	-
6	00.0047.2098	Sechskantmutter ISO 10511-M 4-1.4301	hexagonnut ISO 10511-M 4-1.4301	-	-
7	33.1255.9000	Tropfblech kpl.	drip tray grid compl.	-	-
7	33.9747.7000	Tropfblech ohne Heizplatten	drip tray grid without heating plates	-	-
8	33.1110.4000	Platte	plate	-	-
9	33.1247.8000	Einlage	inlay	-	-
10	00.0047.2053	Sechskantmutter ISO 4032-M 5-1.4301	hexagonnut ISO 4032-M 5-1.4301	-	-
11	00.0047.3385	Flkpf-Schraube ISO 7045-M 5x 6-1.4301-H	pan head screw ISO 7045-M 5x 6-1.4301-H	-	-
12	00.0047.3404	Flkpf-Schraube ISO 7045-M 6x 8-1.4301-H	pan head screw ISO 7045-M 6x 8-1.4301-H	-	-
13	00.0047.1884	Blech-Shr ISO 7049-ST3,5x9, 5-F-H-4.8-A2K	Sh.metal screw ISO 7049-ST3,5x9, 5-F-H-4.	-	-
14	33.1289.7000	Tropfblechrahmen poliert	drip tray frame polished	-	-
14	33.1255.0000	TROPFBLECHRAHMEN gebürstet	drip tray frame brushed brushed	-	-
15	33.0373.0000	Anschlussstück	connection piece	-	-
16	33.0390.4000	Dichtring	sealing ring	-	-



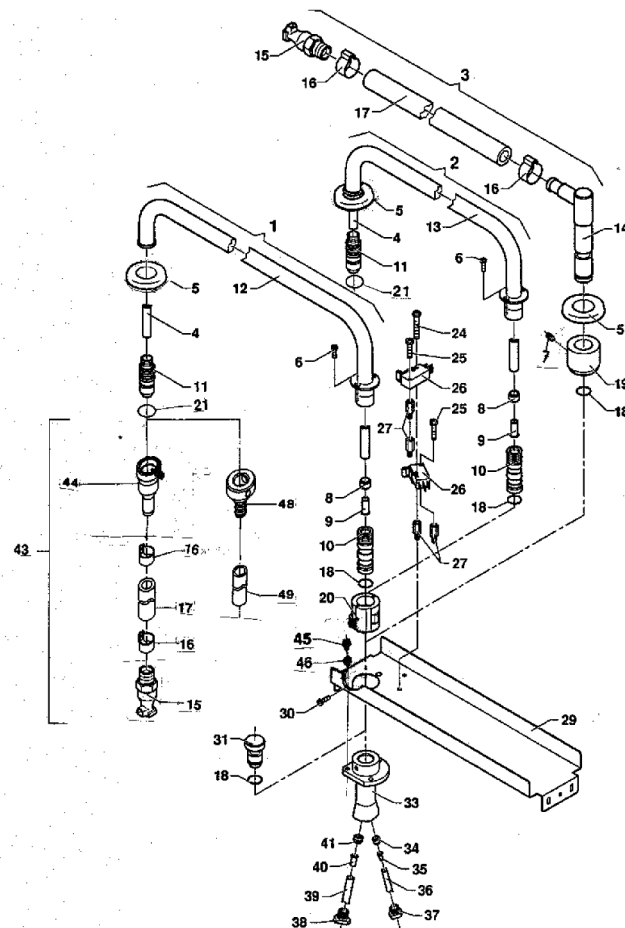
Pos.	Art.-Nr. Art. no.	Bezeichnung Tech-Info Service-Info	Designation Tech-Info Service-Info	EA1	EA2
17	33.0215.4000	Hohlschraube	hollow screw	-	-
18	00.0047.2257	Zahnscheibe DIN 6797-A 6,4-1.4300	tooth lock washer DIN 6797-A 6, 4-1.4300	-	-
19	00.0047.2252	Zahnscheibe DIN 6797-A 5,3-1.4300	tooth lock washer DIN 6797-A 5, 3-1.4300	-	-
20	33.1571.3000	Kupplung	coupling	-	-
21	33.1246.9000	Kabel Heizplatte	cable heating plate	-	-
22	00.0048.0042	Ablaufschlauch DN 19 PP grau	discharge hose DN 19 PP grey	-	-
23	33.1256.1000	Klebeschild	adhesive labels	-	-
24	00.0047.2145	Scheibe ISO 7092- 5-1.4301	washer ISO 7092- 5-1.4301	-	-



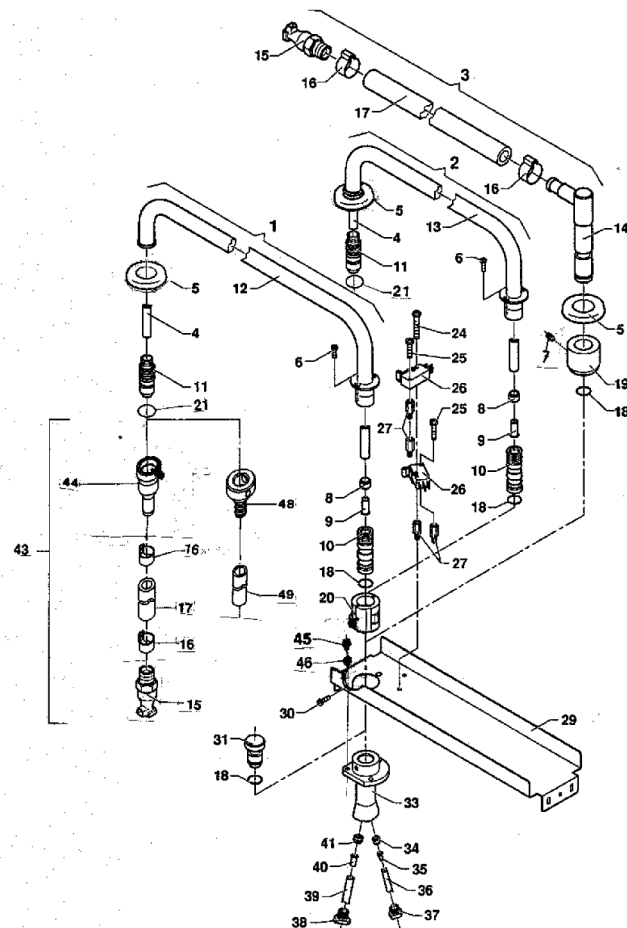
Pos.	Art.-Nr. Art. no.	Bezeichnung Tech-Info Service-Info	Designation Tech-Info Service-Info	EA1	EA2
1	33.1237.6000	Leistungseinschub	power module	-	-
2	33.1649.4000	Störschutzfilter	noise filter	-	-
3	33.1244.8000	Winkel	angle	-	-
4	00.0048.0090	Kantenschutz PE natur für Bl.st.1, 3-2,2	edge protection PE natur 1,3-2,2	-	-
5	00.0047.2250	Zahnscheibe DIN 6797-A 3,2-1.4300	tooth lock washer DIN 6797-A 3, 2-1.4300	-	-
6	00.0047.3313	Flkpf-Schraube ISO 7045-M 3x 5-1.4301-H	pan head screw ISO 7045-M 3x 5-1.4301-H	-	-
7	33.1616.5000	Abstandshalter	spacer	-	-
8	33.1941.7100	Relaiskarte	relay card	-	-
9	00.0047.2251	Zahnscheibe DIN 6797-A 4,3-1.4300	tooth lock washer DIN 6797-A 4, 3-1.4300	-	-
11	33.1254.8000	Isolierplatte	insulated plate	-	-
12	33.1253.6000	Klemmleiste	clamping strip	-	-
13	00.0047.3368	Flkpf-Schraube ISO 7045-M 4x20-1.4301-H	pan head screw ISO 7045-M 4x20-1.4301-H	-	-
14	33.1237.4000	Winkel	angle	-	-
15	00.0047.3356	Flkpf-Schraube ISO 7045-M 4x 5-1.4301-H	pan head screw ISO 7045-M 4x 5-1.4301-H	-	-
16	33.1246.8000	Kabelbaum	cable harness	-	-
17	33.0630.4000	Durchführungstülle	rubber funnel	-	-
18	33.1254.7000	Halterung	holder	-	-
19	33.1330.9000	Bolzen	bolt	-	-
20	33.1913.4100	Stromversorgung, 5 V 3G	power supply, 5 V 3G	1	-



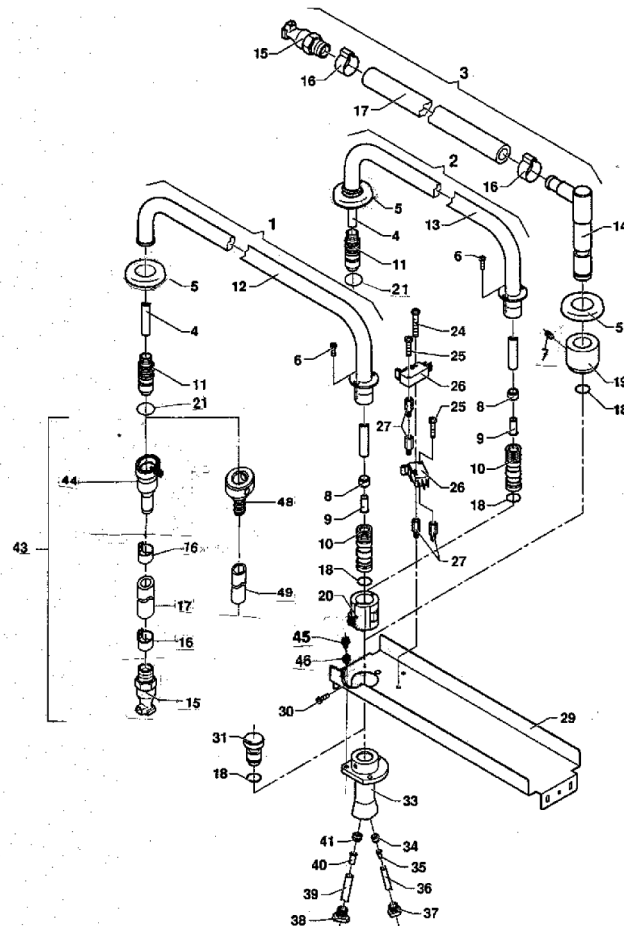
Pos.	Art.-Nr. Art. no.	Bezeichnung Tech-Info Service-Info	Designation Tech-Info Service-Info	EA1	EA2
21	00.0047.2046	Sechskantmutter ISO 4032-M 3-1.4301	hexagonnut ISO 4032-M 3-1.4301	-	-
22	33.1252.9000	Gleichrichter kpl.	rectifier compl.	-	-
23	00.0047.3363	Flkpf-Schraube ISO 7045-M 4x10-1.4301-H	pan head screw ISO 7045-M 4x10-1.4301-H	-	-
24	33.1634.8000	Gleichrichter 10 A, 400 V	rectifier 10 A, 400 V	-	-
25	33.1244.3000	Trafo, 10 V / 21 V	transformer, 10 V / 21 V	1	-
26	00.0047.1251	Flachkopfschraube DIN 921-M 4x 8-1.4301	pan head screw DIN 921-M 4x 8-1.4301	-	-
29	33.1246.7000	Kabel, Leistungseinschub	cable, power module	-	-
30	33.1656.4000	Schütz	contactor	1	-
31	33.1499.1000	Schmelzeinsatz, T0,8 A	fusible link, T0.8 A	-	-
32	33.1656.9000	RC-Kombination	RC combination	1	-
33	33.0649.3000	Kabelbinder	cable clip	-	-
34	33.1246.6000	Kabelbaum, 230 V	cable harness, 230 V	-	-
35	33.1246.5000	Kabelbaum 5 V/24 V	cable harness, 5 V/24 V	-	-
36	33.1501.6000	Rohrschelle	pipe clamp	-	-
37	00.0047.3363	Flkpf-Schraube ISO 7045-M 4x10-1.4301-H	pan head screw ISO 7045-M 4x10-1.4301-H	-	-
38	00.0047.2049	Sechskantmutter ISO 4032-M 4-1.4301	hexagonnut ISO 4032-M 4-1.4301	-	-
39	33.2094.7000	Abdeckung	cover	-	-
40	00.0047.3316	Flkpf-Schraube ISO 7045-M 3x 6-1.4301-H	pan head screw ISO 7045-M 3x 6-1.4301-H	-	-
100	33.1255.8000	Leistungseinschub kpl.	power module compl.	1	-



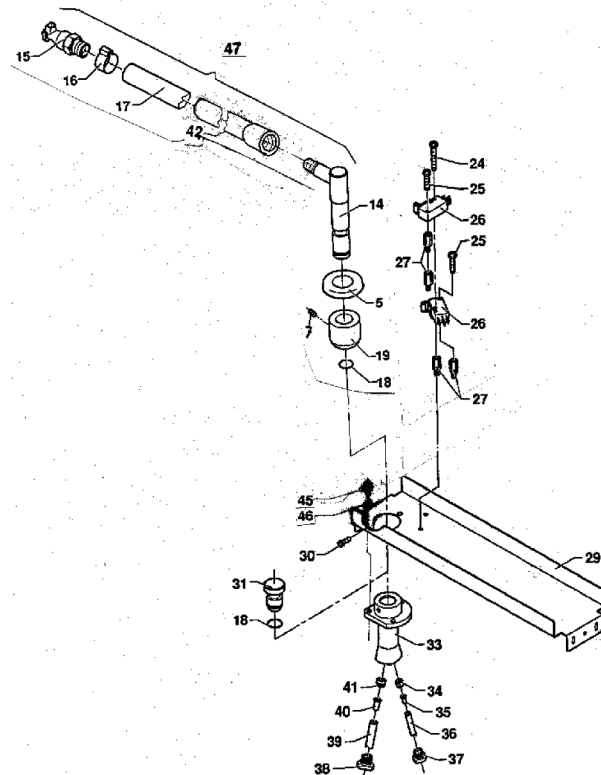
Pos.	Art.-Nr. Art. no.	Bezeichnung Tech-Info Service-Info	Designation Tech-Info Service-Info	EA1	EA2
3	33.1258.1099	Schlauch, kpl.	hose, compl.	-	-
4	00.0048.0046	Schlauch 8,0x1,0 PTFE	Hose 8.0x1.0 PTFE	-	-
5	33.1352.9000	Abdeckung	cover	-	-
6	00.0047.3321	Flkpf-Schraube ISO 7045-M 3x12-1.4301-H	pan head screw ISO 7045-M 3x12-1.4301-H	-	-
7	00.0047.2354	Gewindestift ISO 7434-M 4x 8-14H	Threaded pin ISO 7434-M 4x 8-14H	-	-
8	33.0309.2000	Klemmring	clamping ring	3	-
9	33.1235.1000	STUETZHUELSE	support bush	-	-
10	33.1234.9000	VERLAENGERUNG	elongation	-	-
11	33.1252.1000	AUSLAUF	outlet	-	-
11	00.0048.4907	Kleber-Loctite-270-grün	Adhesive-Loctite-270-green	-	-
13	33.1257.1000	AUSLAUFBOGEN	outlet	-	-
15	33.1232.9000	Kupplung	coupling	1	-
16	33.1523.4000	Klemme	terminal	5	-
17	00.0048.0045	Schlauch 12,0x3,5 Silikon schwarz umfl.	tube 12,0x3,5 Silikon schwarz umfl.	2	-
18	33.1556.1000	O-Ring 14,00x1,78 EPDM	O-ring, 14.00x1.78 EPDM	-	-
19	33.1257.3000	Schaltscheibe	switch washer	-	-
20	33.1233.9000	SCHALTSCHIEBE	switch disk	-	-
21	33.0394.8000	O-Ring 12,37x2,62 EPDM	O-ring, 12.37x2.62 EPDM	-	-
24	00.0047.3328	Flkpf-Schraube ISO 7045-M 3x25-1.4301-H	pan head screw ISO 7045-M 3x25-1.4301-H	-	-



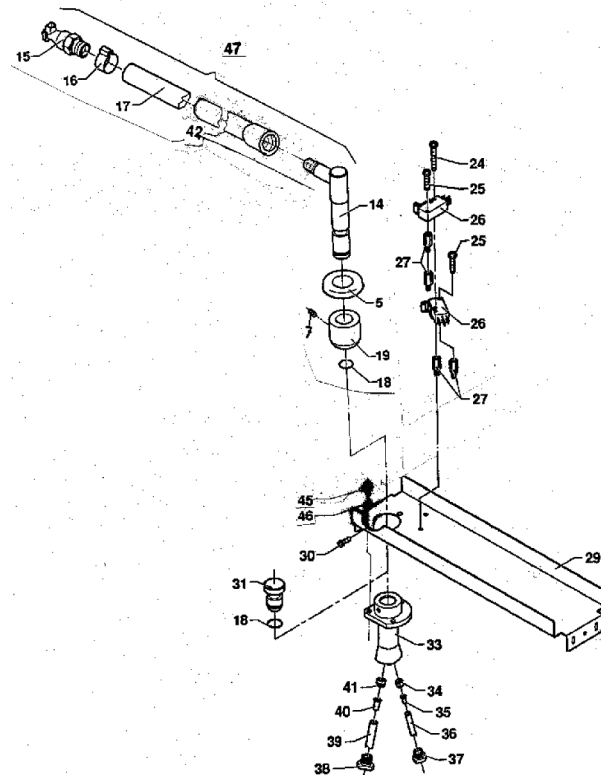
Pos.	Art.-Nr. Art. no.	Bezeichnung Tech-Info Service-Info	Designation Tech-Info Service-Info	EA1	EA2
25	00.0047.3322	Flkpf-Schraube ISO 7045-M 3x16-1.4301-H	pan head screw ISO 7045-M 3x16-1.4301-H	-	-
26	33.1669.5000	Mikroschalter	micro switch	-	-
27	33.1330.9000	Bolzen	bolt	-	-
29	33.1234.0000	Träger	bearing	-	-
30	00.0047.3361	Flkpf-Schraube ISO 7045-M 4x 8-1.4301-H	pan head screw ISO 7045-M 4x 8-1.4301-H	-	-
31	33.1256.0000	Stopfen ohne Schwenkarm	plug without pivot arm	-	-
33	33.1234.8000	Führung	guide	-	-
34	33.0357.8000	Klemmring	clamping ring	-	-
35	33.0357.9000	Stützhülse	carrying bracket	-	-
37	33.0160.6000	Druckschraube	thrust screw	-	-
38	33.1254.9000	Hohlschraube	hollow screw	1	-
39	00.0048.0047	Schlauch 6,0x1,0 PTFE	tube 6,0x1,0 PTFE	-	-
40	33.1242.8000	Stützhülse	carrying bracket	3	-
41	33.1242.9000	Klemmring	clamping ring	3	-
43	33.1255.7000	REINIGUNGSSCHLAUCH	cleaning tube	-	-
44	33.1257.7000	GEHAEUSE KOMPLETT	chamber, compl.	-	-
45	00.0047.3388	Flkpf-Schraube ISO 7045-M 5x 8-1.4301-H	pan head screw ISO 7045-M 5x 8-1.4301-H	-	-
46	00.0047.2252	Zahnscheibe DIN 6797-A 5,3-1.4300	tooth lock washer DIN 6797-A 5, 3-1.4300	-	-
48	33.1768.5000	AUSLAUF	outlet	-	-



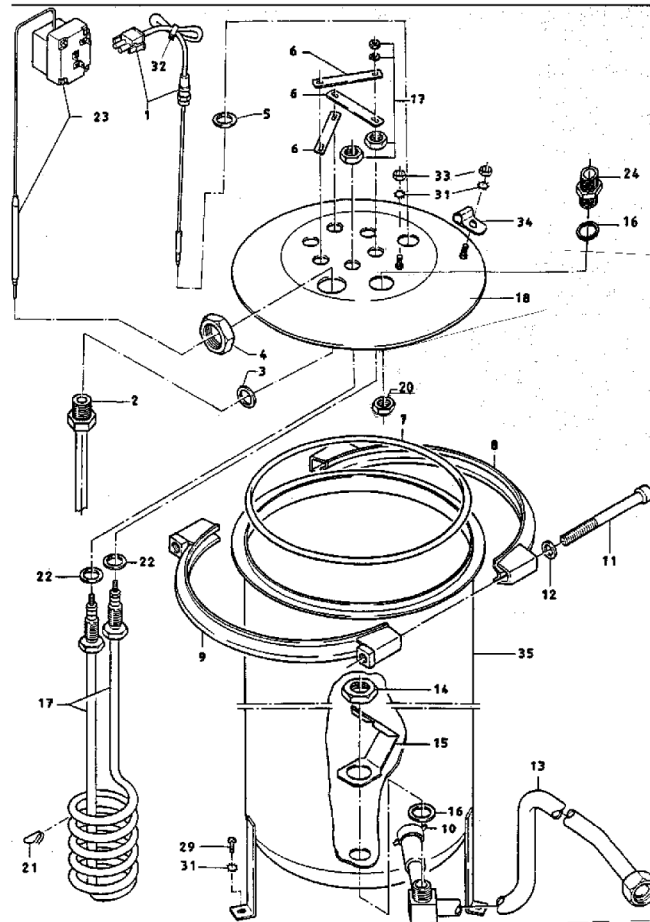
Pos.	Art.-Nr. Art. no.	Bezeichnung Tech-Info Service-Info	Designation Tech-Info Service-Info	EA1	EA2
49	00.0048.0067	Schlauch 12,5x2,5 Silicon braun	tube 12,5x2,5 Silicon braun	-	-



Pos.	Art.-Nr. Art. no.	Bezeichnung Tech-Info Service-Info	Designation Tech-Info Service-Info	EA1	EA2
5	33.1352.9000	Abdeckung	cover	-	-
7	00.0047.2354	Gewindestift ISO 7434-M 4x 8-14H	Threaded pin ISO 7434-M 4x 8-14H	-	-
14	33.1831.1000	Anschlussstück kpl.	connection piece compl.	-	-
15	33.1232.9000	Kupplung	coupling	1	-
16	33.1523.4000	Klemme	terminal	5	-
17	00.0048.0045	Schlauch 12,0x3,5 Silikon schwarz umfl.	tube 12,0x3,5 Silikon schwarz umfl.	2	-
18	33.1556.1000	O-Ring 14,00x1,78 EPDM	O-ring, 14.00x1.78 EPDM	-	-
19	33.1257.3000	Schaltscheibe	switch washer	-	-
24	00.0047.3328	Flkpf-Schraube ISO 7045-M 3x25-1.4301-H	pan head screw ISO 7045-M 3x25-1.4301-H	-	-
25	00.0047.3322	Flkpf-Schraube ISO 7045-M 3x16-1.4301-H	pan head screw ISO 7045-M 3x16-1.4301-H	-	-
26	33.1669.5000	Mikroschalter	micro switch	-	-
27	33.1330.9000	Bolzen	bolt	-	-
29	33.1234.0000	Träger	bearing	-	-
30	00.0047.3361	Flkpf-Schraube ISO 7045-M 4x 8-1.4301-H	pan head screw ISO 7045-M 4x 8-1.4301-H	-	-
31	33.1256.0000	Stopfen für Maschine	plug for the machine	-	-
33	33.1234.8000	Führung	guide	-	-
34	33.0357.8000	Klemmring	clamping ring	-	-
35	33.0357.9000	Stützhülse	carrying bracket	-	-
36	00.0048.4956	Schlauch 4,0x1,0 PTFE	tube 4,0x1,0 PTFE	-	-

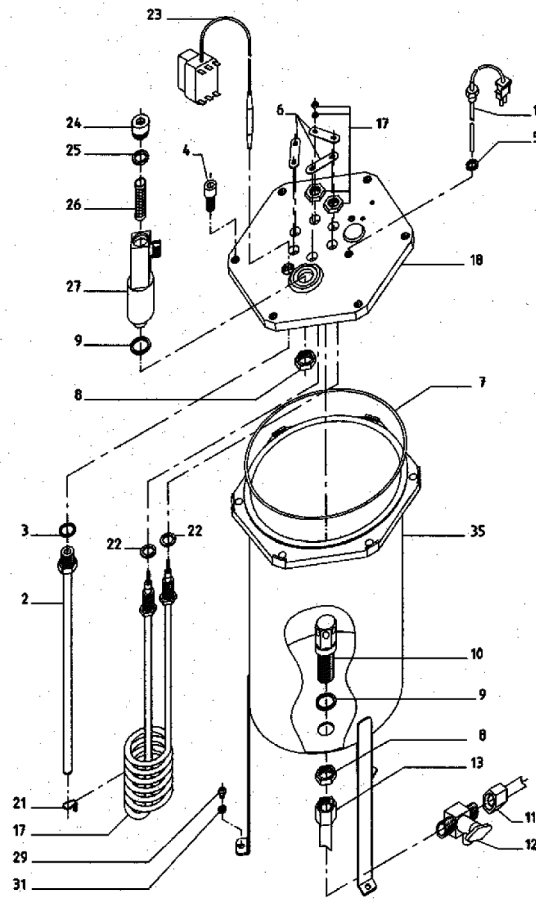


Pos.	Art.-Nr. Art. no.	Bezeichnung Tech-Info Service-Info	Designation Tech-Info Service-Info	EA1	EA2
37	33.0160.6000	Druckschraube	thrust screw	-	-
38	33.1254.9000	Hohlschraube	hollow screw	1	-
39	00.0048.0047	Schlauch 6,0x1,0 PTFE	tube 6,0x1,0 PTFE	-	-
40	33.1242.8000	Stützhülse	carrying bracket	3	-
41	33.1242.9000	Klemmring	clamping ring	3	-
42	33.1808.4000	Rohr kpl.	pipe compl.	-	-
45	00.0047.3388	Flkpf-Schraube ISO 7045-M 5x 8-1.4301-H	pan head screw ISO 7045-M 5x 8-1.4301-H	-	-
46	00.0047.2252	Zahnscheibe DIN 6797-A 5,3-1.4300	tooth lock washer DIN 6797-A 5, 3-1.4300	-	-
47	33.9751.3000	Schlauch, kpl.	hose, compl.	-	-
47	33.1258.1000	Schlauch, kpl.	hose, compl.	-	-

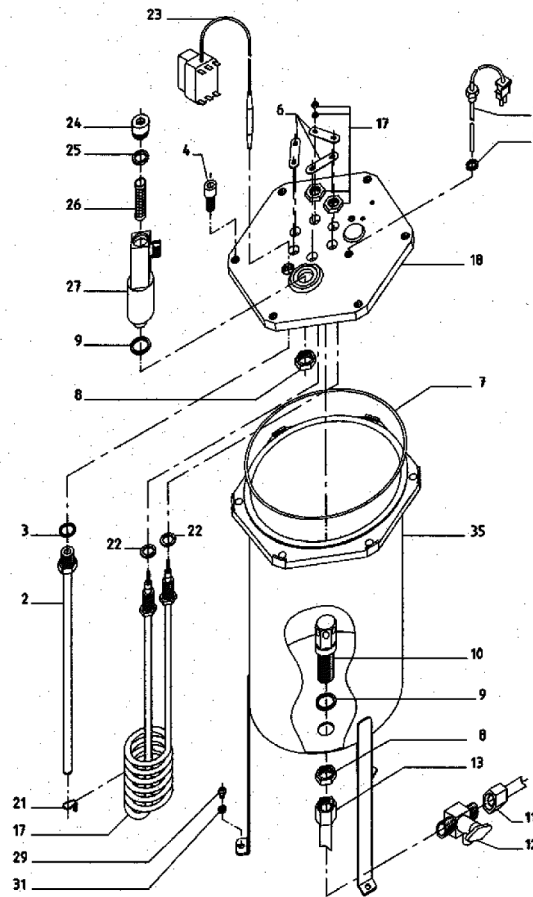


Pos.	Art.-Nr. Art. no.	Bezeichnung Tech-Info Service-Info	Designation Tech-Info Service-Info	EA1	EA2
1	33.1692.2000	Temperaturfühler	temperature sensor	-	-
2	33.2216.3000	Tauchrohr	immersion pipe	-	-
3	33.0060.3000	Dichtring DIN 7603-A 17x21 CU	sealing ring DIN 7603-A 17x21 CU	-	-
4	33.0221.6000	Mutter	nut	-	-
5	33.1555.8000	Dichtung	seal	-	-
6	33.1098.3000	Verbindungsstreifen	connector strip	-	-
7	33.0592.5000	O-Ring 196,22x7,00 EPDM	O-ring, 196.22x7.00 EPDM	-	-
10	33.0316.7000	Entleerhahn	drain valve	-	-
11	00.0047.1187	Zylinderschraube ISO4762-M10x100-8.8-A2L	cheese head screw ISO4762-M10x100-8.8-A2	-	-
12	00.0047.2146	Scheibe ISO 7092-10-1.4301	washer ISO 7092-10-1.4301	-	-
13	33.1776.3000	ANSCHLUSSROHR	connection pipes	-	-
14	33.0223.5000	Mutter	nut	-	-
15	33.1089.7000	HAUBE	cover	-	-
16	33.0063.5000	Dichtring	sealing ring	-	-
17	33.1237.5000	Heizkörper 4,5 kW/400 V	heating element 4.5 kW/400 V	-	-
18	33.1237.8000	DECKEL KOMPLETT komplett	cover compl. compl.	-	-
20	33.1312.5000	Mutter	nut	-	-
21	33.1536.6000	Feder	spring	3	-
22	33.0362.0000	Dichtring	sealing ring	-	-
23	33.1568.3000	Sicherheitstemperaturbegrenzer	safety temperature limiter	-	-

Pos.	Art.-Nr. Art. no.	Bezeichnung Tech-Info Service-Info	Designation Tech-Info Service-Info	EA1	EA2
24	33.1244.5000	Verschraubung	threaded connector	-	-
29	00.0047.3385	Flkupf-Schraube ISO 7045-M 5x 6-1.4301-H	pan head screw ISO 7045-M 5x 6-1.4301-H	-	-
31	00.0047.2252	Zahnscheibe DIN 6797-A 5,3-1.4300	tooth lock washer DIN 6797-A 5, 3-1.4300	-	-
32	33.0649.3000	Kabelbinder	cable clip	-	-
33	00.0047.2053	Sechskantmutter ISO 4032-M 5-1.4301	hexagonnut ISO 4032-M 5-1.4301	-	-
34	33.1501.6000	Rohrschelle	pipe clamp	-	-
35	33.1776.6000	Zarge komplett	frame compl.	-	-
100	33.1238.0000	KESSEL KOMPLETT	hot water boiler	-	-



Pos.	Art.-Nr. Art. no.	Bezeichnung Tech-Info Service-Info	Designation Tech-Info Service-Info	EA1	EA2
1	33.1692.2000	Temperaturfühler	temperature sensor	-	-
2	33.2280.7000	Opferanode	sacrificial anode	-	-
2	33.2216.3000	Tauchrohr	immersion pipe	-	-
3	33.0060.3000	Dichtring DIN 7603-A 17x21 CU	sealing ring DIN 7603-A 17x21 CU	-	-
4	00.0047.1188	Zylinderschraube ISO 4762-M10x20-A2-70	cheese head screw ISO 4762-M10x20-A2-70	-	-
5	33.1555.8000	Dichtung	seal	-	-
6	33.1098.3000	Verbindungsstreifen	connector strip	-	-
7	00.0048.7705	Dichtungs-Schmierstoff Molykote 111	sealing grease Molykote 111	-	-
7	33.1295.2000	O-Ring 209,14x3,53 EPDM	O-ring, 209.14x3.53 EPDM	-	-
8	33.1312.5000	Mutter	nut	-	-
9	33.0063.5000	Dichtring	sealing ring	-	-
10	33.1358.8000	Kaltwasserzulauf	cold water supply	-	-
11	33.1258.3000	Rohr kpl.	pipe compl.	-	-
12	33.1259.6000	Hahn kpl.	spigot compl.	-	-
13	33.1249.3000	Anschlussrohr	connection pipe	-	-
17	33.9285.3000	Heizkörper, 400V, 4500W	heating element, 400V, 4500W	3	-
17	33.9285.3500	Heizkörper, 440V, 4500W Schiff	heating element, 440V, 4500W ship	-	-
17	33.0316.3100	Heizkörper, 254V, 3000W	heating element, 230V, 3000W, UL	-	-
17	33.0316.3000	Heizkörper, 230V, 3000W, UL	heating element, 230V, 3000W, UL	-	-
17	33.0316.3500	Heizkörper, 440V, 3000W Schiff	heating element, 440V, 3000W ship	-	-



Pos.	Art.-Nr. Art. no.	Bezeichnung Tech-Info Service-Info	Designation Tech-Info Service-Info	EA1	EA2
18	33.1259.4000	Deckel kpl.	lid compl.	-	-
21	33.1536.6000	Feder	spring	3	-
22	33.0362.0000	Dichtring	sealing ring	-	-
23	33.1568.3100	Sicherheitstemperaturbegrenzer	safety temperature limiter	-	-
24	33.0135.5000	Verschlusschraube	locking screw	-	-
25	33.0393.5000	O-Ring 15,54x2,62 EPDM	O-ring, 15.54x2.62 EPDM	-	-
26	33.1509.2000	Siebeinsatz, grob	filter insert, coarse	-	-
27	33.1243.9000	Auslauf kpl.	spout compl.	-	-
29	00.0047.3385	Flkupf-Schraube ISO 7045-M 5x 6-1.4301-H	pan head screw ISO 7045-M 5x 6-1.4301-H	-	-
31	00.0047.2252	Zahnscheibe DIN 6797-A 5,3-1.4300	tooth lock washer DIN 6797-A 5, 3-1.4300	-	-
35	33.1824.6000	Zarge kpl.	frame compl.	-	-
100	33.1824.7099	HW-Boiler 9,8 L	hot water boiler 9.8 L	-	-

keine Illustration

no illustration

Pos.	Art.-Nr. Art. no.	Bezeichnung Tech-Info Service-Info	Designation Tech-Info Service-Info	EA1	EA2
1	33.1295.6000	Zulaufschlauch	infeed hose	-	-
2	33.1596.9000	Sicherungshalter	retainer holder	2	-
2	33.1597.0000	Kappe	cap	-	-
2	33.9191.5000	Schmelzeinsatz Cafemat I	fusible link Cafemat I	-	-
2	33.9281.3000	Trafo	transformer	-	-
3	33.9422.2000	Taste, orange	button, orange	-	-
4	33.9450.5000	Winkel, links	angle, left	-	-
5	33.9760.5000	Winkel, kpl.	angle, compl.	-	-
6	33.9760.8000	Rohr, Abdeckung	pipe, cover	-	-
7	33.9759.5000	Rohr, Abdeckung	pipe, cover	-	-
8	33.9742.1000	Fuß, Unterteil Schiffsausführung	foot, lower part ship model	-	-
9	33.9416.5000	Fuß, Oberteil Schiffsausführung	foot, upper part ship model	-	-
10	33.9742.5000	Kabelsatz, Netzspannung Schiff	cable set, ship grid voltage	-	-
11	33.9430.6000	verkleidung graviert Washing mode	control panel "Washing Mode" Washing Mode	-	-
12	33.9430.6000	verkleidung graviert Kaffeemehlportionierer	control panel "Washing Mode" ground coffee hopper	-	-
13	33.9430.4000	EPROM, links Seaking	EPROM, left seaking	-	-