

WMF 8000 S

Ersatzteilkatalog Spare Parts Catalogue

02.06.2022

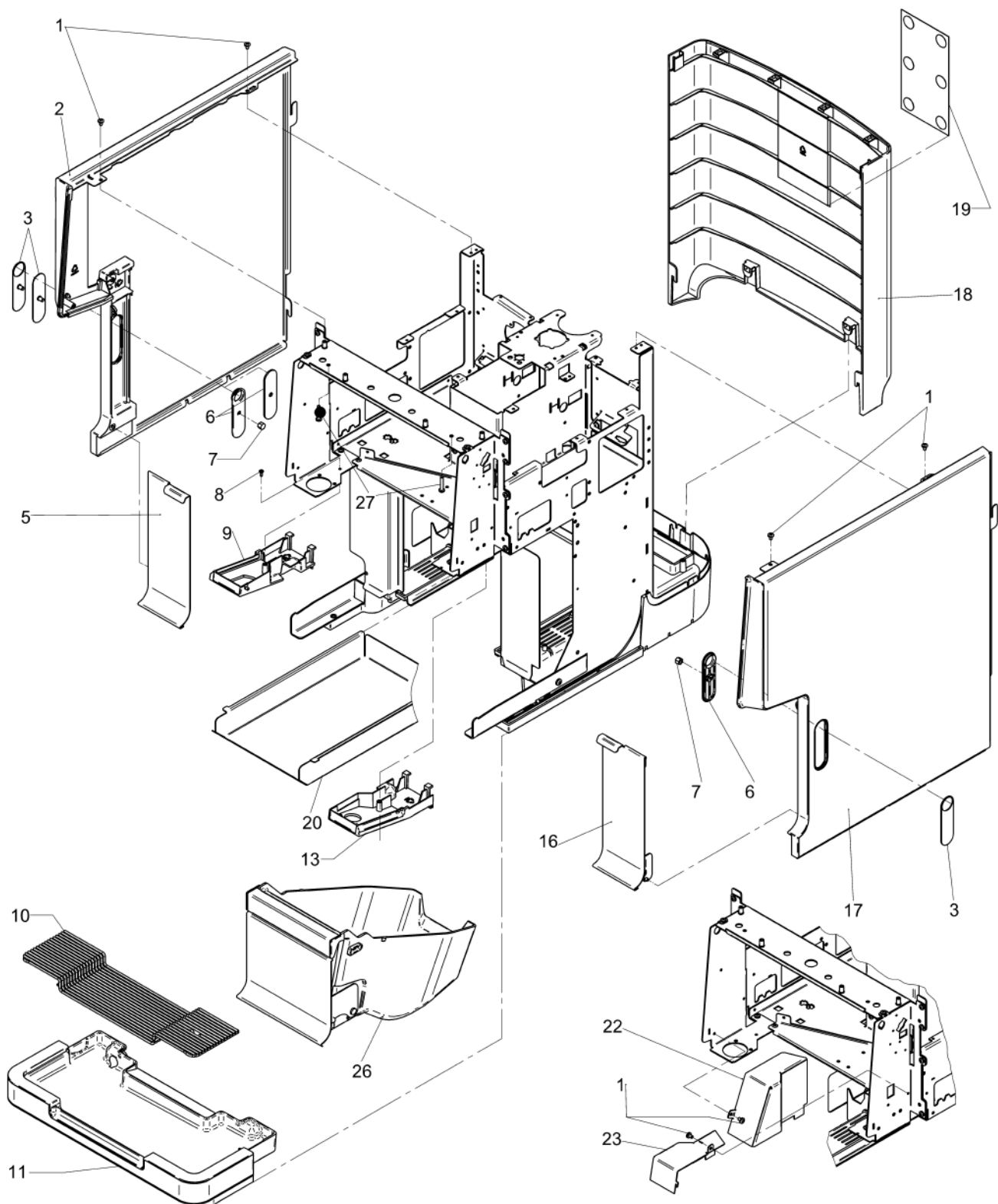


Printed in Germany
Nachdruck, Vervielfältigung oder Übersetzung, auch
auszugsweise, nicht erlaubt

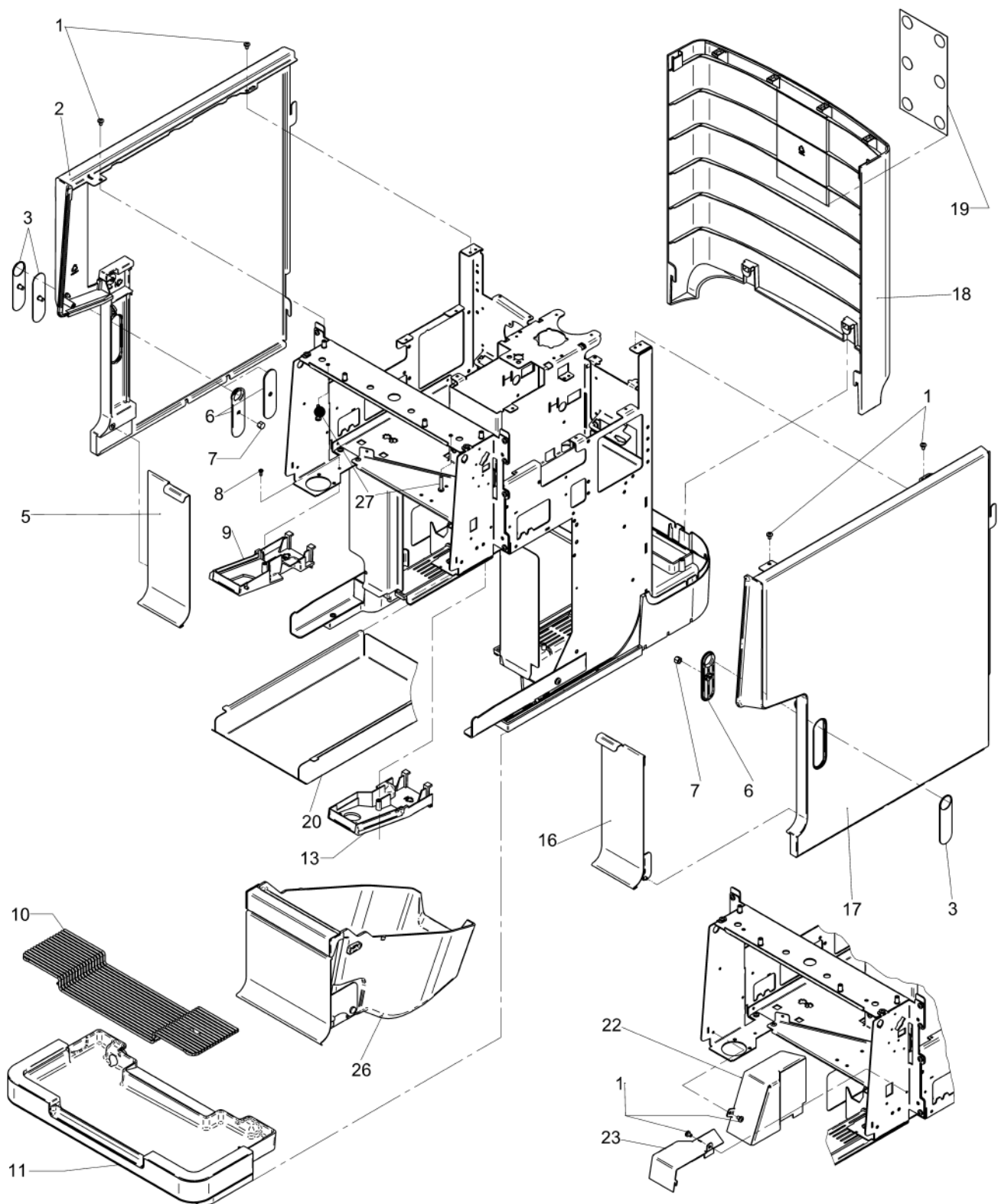
gedruckt / printed: 02.06.2022

WMF GmbH
WMF Platz 1
D-73312 Geislingen/Steige
info@wmf-group.com
www.wmf.com

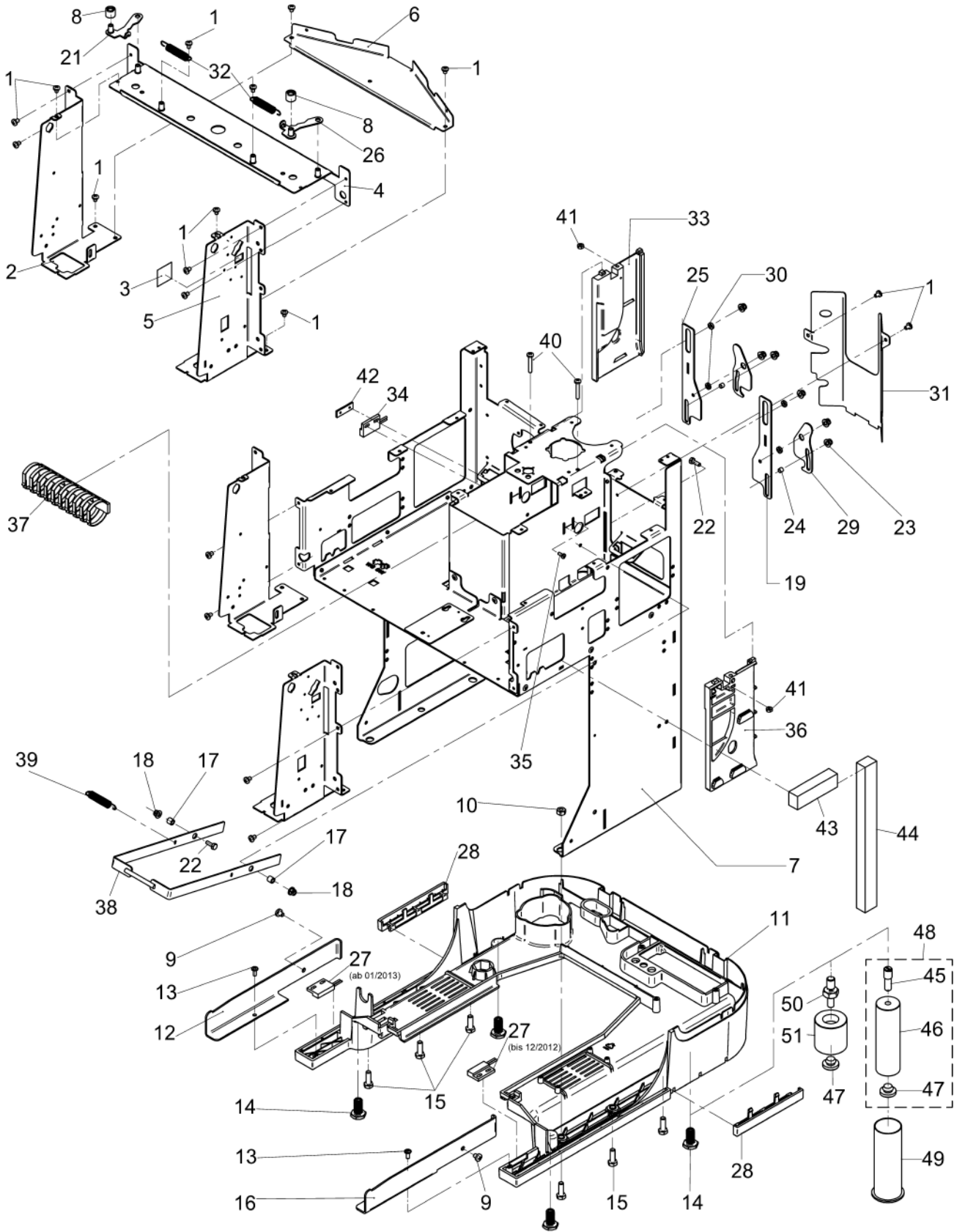
Blatt Sheet	Bezeichnung	Designation	Seite Page
201	Verkleidungsteile	cover parts	2
202	Maschinengestell	Base frame	6
203	Einbauteile 1	Inner parts 1	10
204	Einbauteile 2	Inner parts 2	14
205	Kaltwassersystem	Cold water system	22
206	Dampfkessel Mod.1	Steam boiler Mod. 1	26
207	Ventile	Valves	34
208	Einbauteile Elektrik	Inner parts electric	38
209	Brüher	brewer	42
210	Innenverkleidung&Tassenlift	Inner cover&cup lift	46
211	Auslauf & Brühersicherung	Spout and brewer release	50
212	ActiveMilk	ActiveMilk	54
213	Mühle	grinder	58
214	Choc-Portionierer	Choc dispenser	62
215	Produktbehälter	Product hopper	64
216	Bedienpanel	Front panel	68
217	Maschinendeckel	Top cover	72
218	Satz-durch-Theke	Grounds disposal through counter	76
219	Heißwasserausgabe	dispensing hot water	78
220	Fernabfrage-RDA-Modul	Remote inquiry RDA module	82
221	Münzwechsler	coin changer	84
222	Kartenleser	card reader	88
223	Münzprüfer	coin checker	90
240	Nachrüstmodule	Retrofitting module	92
906	Dampfkessel	Steam boiler	94



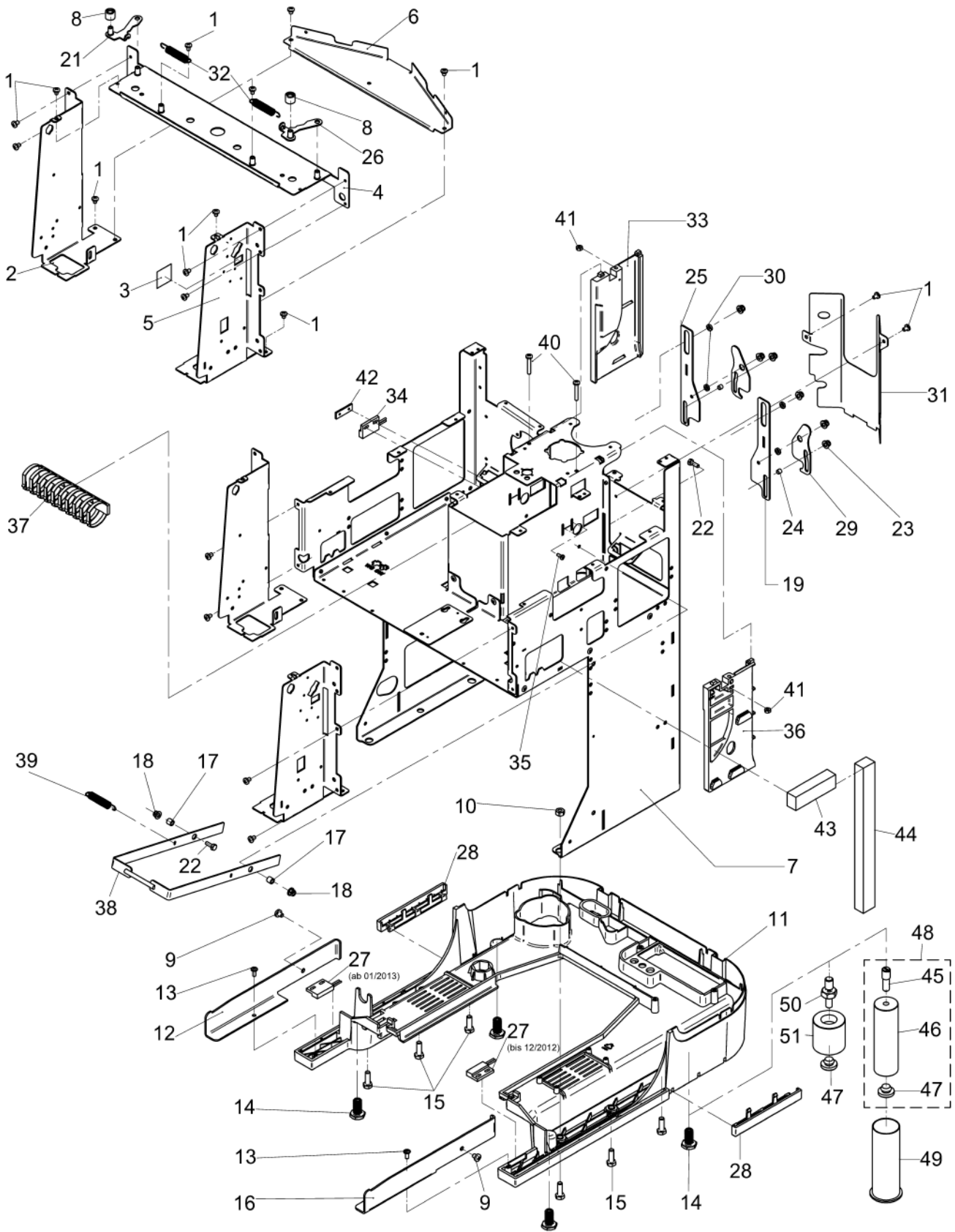
Pos.	Art.-Nr. Art. no.	Bezeichnung Tech-Info Service-Info	Designation Tech-Info Service-Info	EA1	EA2
1	00.0047.3358	Flkpf-Schraube ISO 7045-M 4x 6-1.4301-H	pan head screw ISO 7045-M 4x 6-1.4301-H	-	-
2	33.2860.1099	Seitenwand, links kpl.	side cover, left compl.	-	-
3	33.2544.5000	Abdeckung Schlauchdurchführung, kpl.	cover hose pass-through, compl.	-	-
3	33.2544.4000	Abdeckung Schlauchdurchführung, kpl.	cover hose pass-through, compl.	-	-
5	33.2868.7099	Abdeckung, links kpl.	cover, left compl.	-	-
6	33.2544.7000	Rahmen Schlauchführung	frame hose routing	-	-
6	33.2544.6000	Abdeckung Schlauchdurchführung	cover hose pass-through	-	-
7	00.0047.2087	Hutmutter DIN 917-M5-1.4301	cap nut DIN 917-M5-1.4301	-	-
8	00.0047.3640	EJOT PT-Schraube KA 30x 8-WN 1411-A2	EJOT PT-screw KA 30x 8-WN 1411-A2	-	-
9	33.2543.7000	Blende, links Steamer	aperture, left steamer	-	-
9	33.2543.6000	Blende, links	aperture, left	-	-
9	33.2543.6100	Blende, links abschließbar	aperture, left lockable	-	-
10	33.2537.0000	Tropfgitter groß	drip grid large	-	-
11	33.2875.5099	Tropfschale kpl.	drip tray compl.	-	-
13	33.2543.9000	Blende, rechts HW	aperture, right Hot water	-	-
16	33.2868.6099	Abdeckung, rechts kpl.	cover, right compl.	-	-
17	33.2860.2099	Seitenwand, rechts kpl.	side cover, right compl.	-	-
18	33.2354.9000	Rückwand	rear cover	-	-
19	33.2694.8000	Schild, SAG	label	-	-
20	33.2345.6000	Winkel Satzbehälter	angle grounds container	-	-



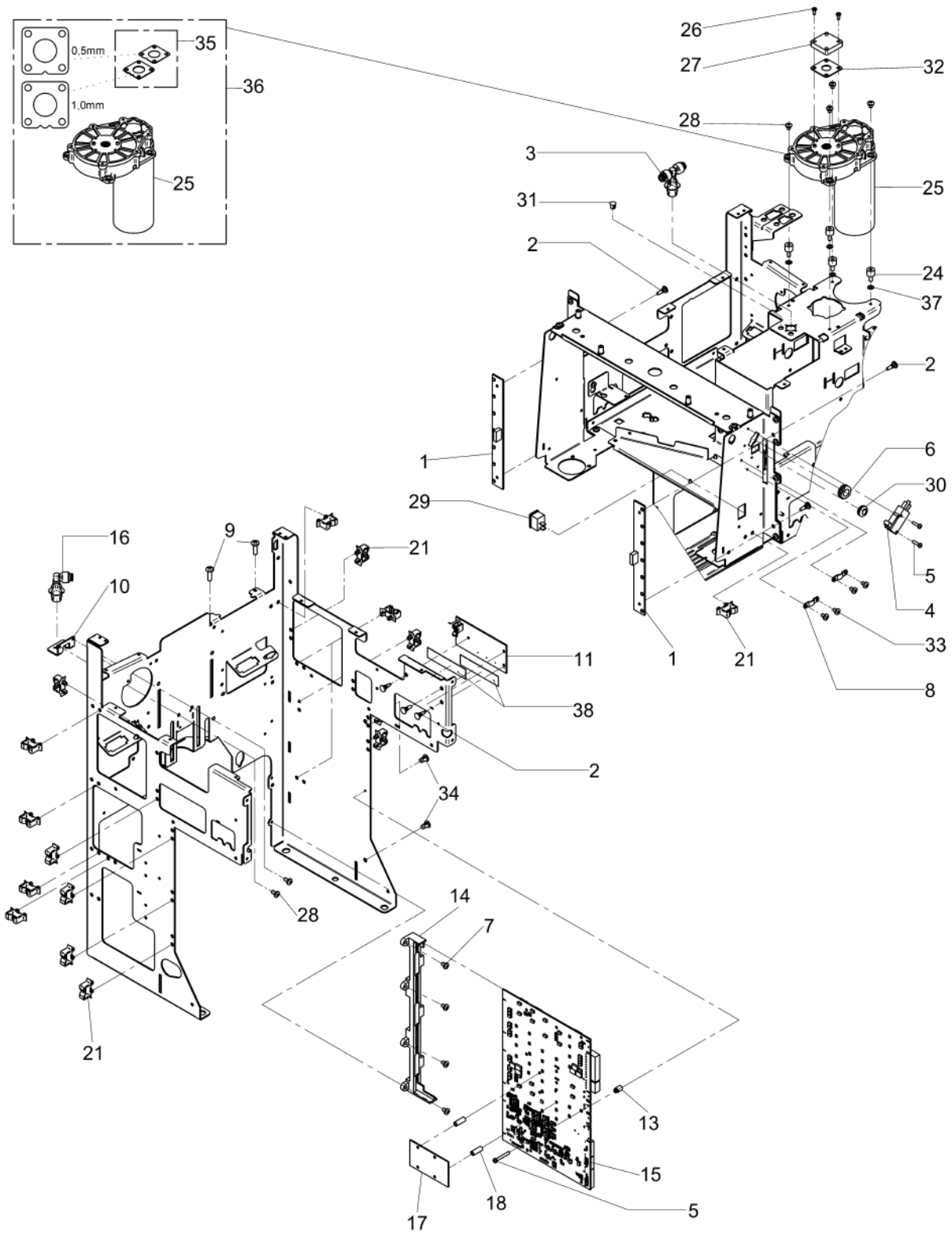
Pos.	Art.-Nr. Art. no.	Bezeichnung Tech-Info Service-Info	Designation Tech-Info Service-Info	EA1	EA2
26	33.2789.8099	Satzbehälter	grounds container	-	-
27	00.0047.3370	Flkpf-Schraube ISO 7045-M 4x22-1.4301-H	pan head screw ISO 7045-M 4x22-1.4301-H	-	-



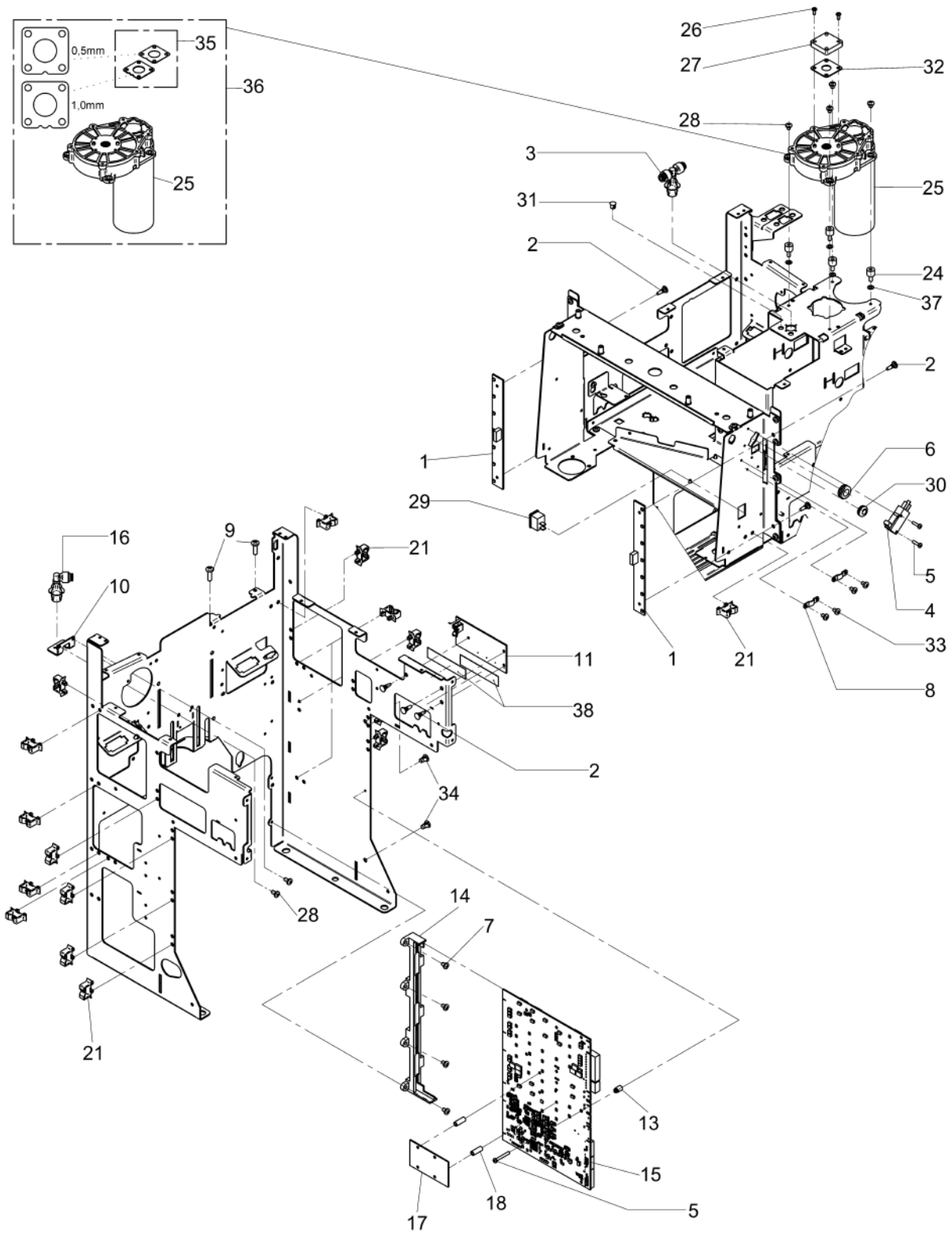
Pos.	Art.-Nr. Art. no.	Bezeichnung Tech-Info Service-Info	Designation Tech-Info Service-Info	EA1	EA2
1	00.0047.3358	Flkpf-Schraube ISO 7045-M 4x 6-1.4301-H	pan head screw ISO 7045-M 4x 6-1.4301-H	-	-
8	33.2595.6000	Rolle	roller	-	-
9	00.0047.3385	Flkpf-Schraube ISO 7045-M 5x 6-1.4301-H	pan head screw ISO 7045-M 5x 6-1.4301-H	-	-
10	00.0047.2069	Sechskantmutter ISO 10511-M 6-1.4301	hexagonnut ISO 10511-M 6-1.4301	-	-
13	00.0047.3653	EJOT PT-Schraube KA 40x10 WN 1411-A2	EJOT PT-screw KA 40x10 WN 1411-A2	-	-
14	33.2242.2000	Einschraubfuß gummiert	threaded foot rubberized	-	-
15	00.0047.1405	Sechskant-Shr. ISO 4017-M 6x18-1.4301	hexagon-screw ISO 4017-M 6x18-1.4301	-	-
17	33.1158.1000	Buchse	bushing	-	-
18	00.0047.2103	Comby-SHB-Mutter-M4-Selbstsiche rnd-A2K	Comby-SHB-nut-M4-Selbstsichernd -A2K	-	-
22	00.0047.1411	Sechskant-Shr. ISO 4017-M 4x12-1.4301	hexagon-screw ISO 4017-M 4x12-1.4301	-	-
23	00.0047.2103	Comby-SHB-Mutter-M4-Selbstsiche rnd-A2K	Comby-SHB-nut-M4-Selbstsichernd -A2K	-	-
24	33.1359.7000	Hülse	sleeve	-	-
27	33.2262.6000	Kabelsatz, Reedschalter	cable set, reed switch	-	-
28	33.2589.4000	Clips Boden, WMF	CLIPS base, WMF	-	-
30	33.2249.5000	Scheibe	washer	-	-
32	33.2593.4000	Zugfeder	pull-spring	-	-
34	33.2262.6000	Kabelsatz, Reedschalter	cable set, reed switch	-	-
35	00.0047.3318	Flkpf-Schraube ISO 7045-M 3x 8-1.4301-H	pan head screw ISO 7045-M 3x 8-1.4301-H	-	-
37	33.2364.0000	Kabelkanal, 120 mm, 25x22mm 120 mm, D20, geklebt	cable duct, 120 mm, 25x22 mm 120 mm, D20, glued	-	-



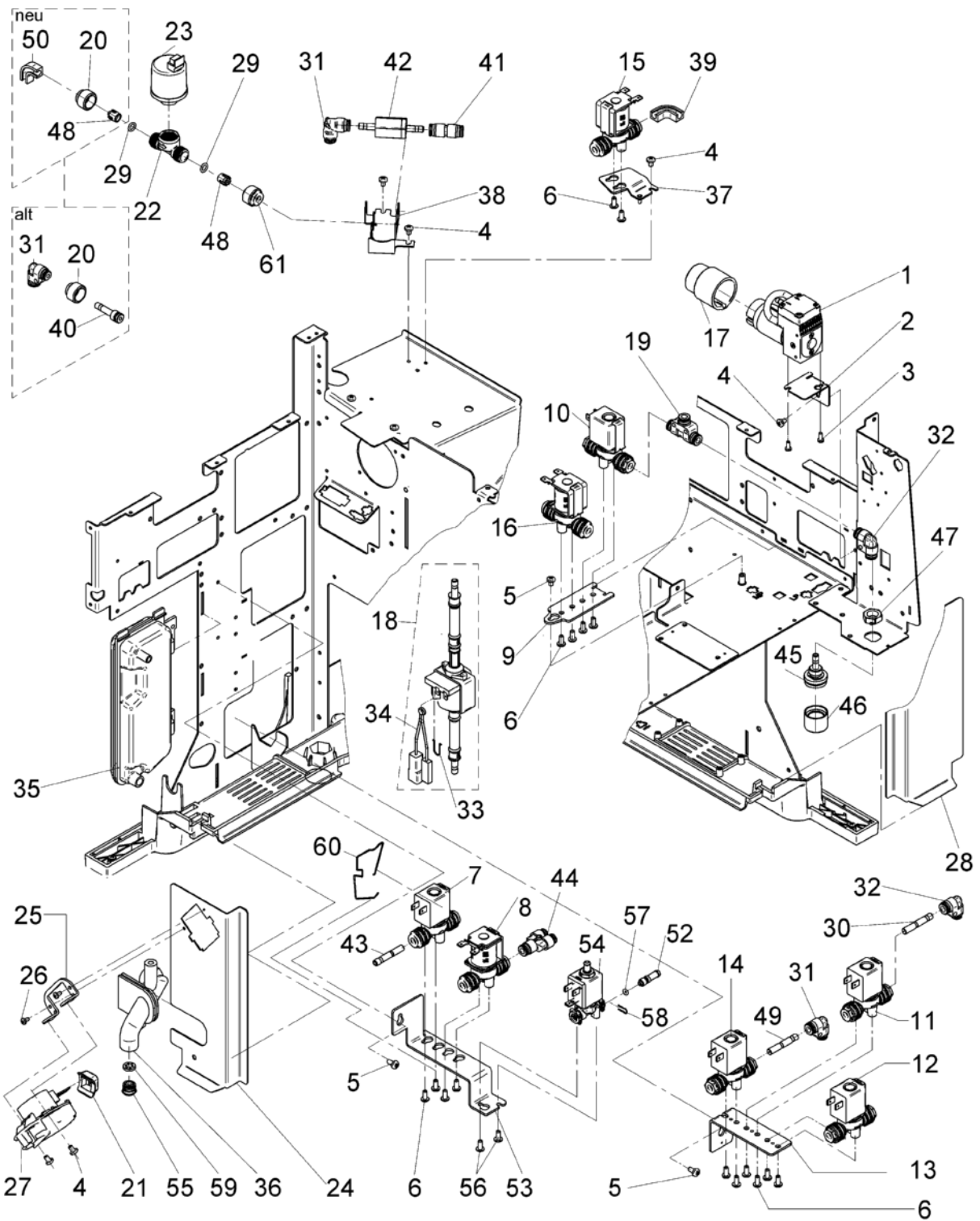
Pos.	Art.-Nr. Art. no.	Bezeichnung Tech-Info Service-Info	Designation Tech-Info Service-Info	EA1	EA2
39	33.2593.4000	Zugfeder	pull-spring	-	-
40	00.0047.3369	Flkpf-Schraube ISO 7045-M 4x25-1.4301-H	pan head screw ISO 7045-M 4x25-1.4301-H	-	-
41	00.0047.2049	Sechskantmutter ISO 4032-M 4-1.4301	hexagonnut ISO 4032-M 4-1.4301	-	-
43	33.2656.5000	Schaumstoffstreifen 70 mm	foam strips 70 mm	-	-
44	33.2656.6000	Schaumstoffstreifen 220 mm	foam strips 220 mm	-	-
45	33.9471.0000	Gewindebolzen, M8-M10 M8 M10	threaded bolt, M8-M10 M8 M10	-	-
46	33.2369.0000	Fuß, 100 mm	foot, 100 mm	-	-
47	33.1389.3000	Fuß	foot	-	-
48	33.3320.3000	Nachr.Satz Füße 100mm 1500/5000/9000	Retrof.kit feet 100mm 1500/5000/9000	-	-
49	33.2802.7000	Fuß, für Schiff	stainless steel hulls	-	-
50	33.2121.5000	Bolzen M8-M10	bolt M8-M10	-	-
51	33.2420.1000	Fuß 40 mm hoch, Maschine	foot 40 mm high, machine	-	-



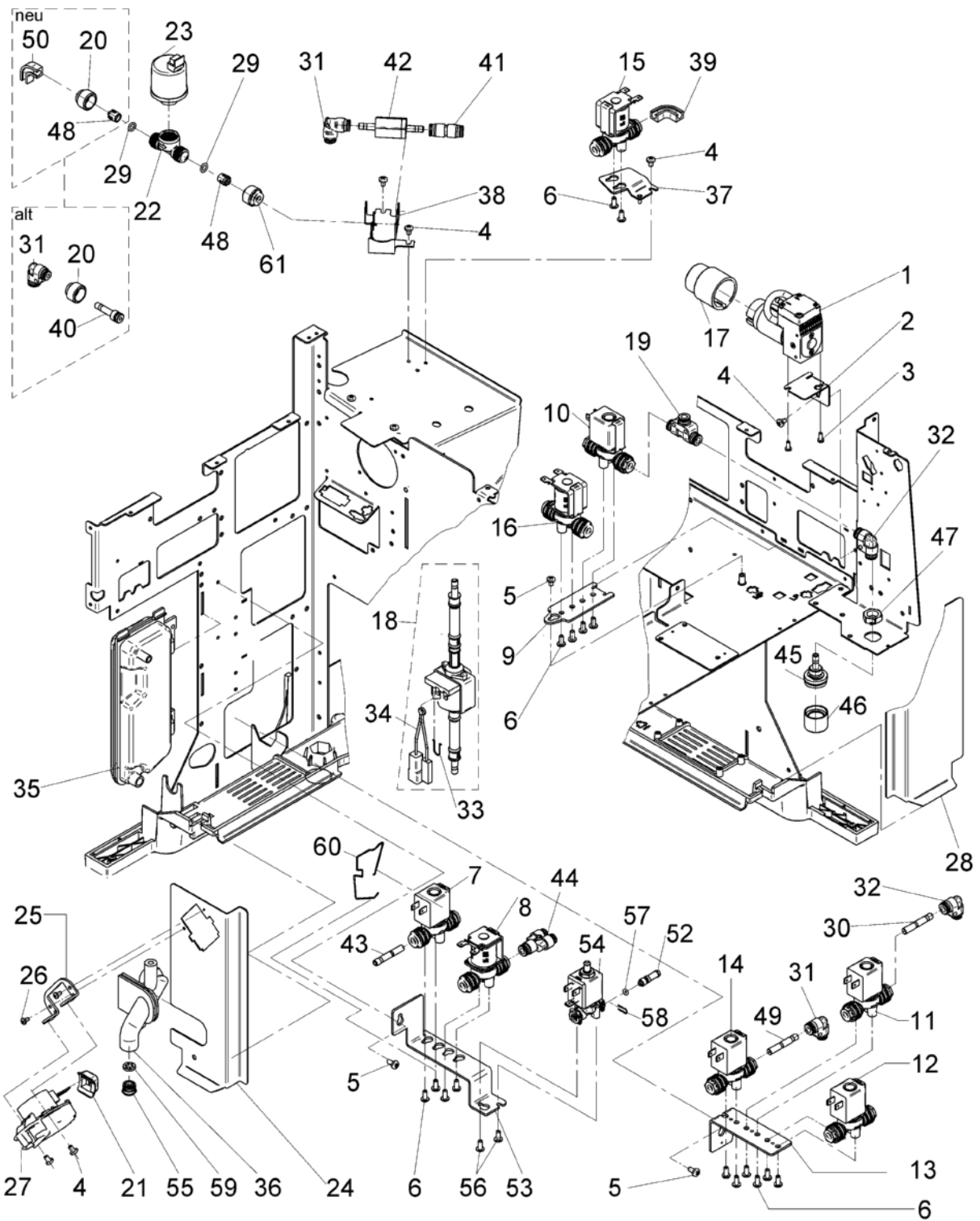
Pos.	Art.-Nr. Art. no.	Bezeichnung Tech-Info Service-Info	Designation Tech-Info Service-Info	EA1	EA2
1	33.2464.2100	Flachbaugruppe LED Beleuchtung	Flat module LED illumination	-	-
2	33.2494.9000	Distanzhalter	spacer	-	-
3	33.7006.0906	Buchse, Steckanschluss T-Stück	bushing, plug-in connection T-piece	1	-
4	33.2217.2000	Mikroschalter	micro switch	1	-
5	00.0047.3321	Flkpf-Schraube ISO 7045-M 3x12-1.4301-H	pan head screw ISO 7045-M 3x12-1.4301-H	-	-
6	33.0630.4000	Durchführungsstülle	rubber funnel	-	-
7	00.0047.3358	Flkpf-Schraube ISO 7045-M 4x 6-1.4301-H	pan head screw ISO 7045-M 4x 6-1.4301-H	-	-
8	33.2590.5000	Zugentlastungsschelle	strain relief clamp	-	-
9	00.0047.3392	Flkpf-Schraube ISO 7045-M 5x16-1.4301-H	pan head screw ISO 7045-M 5x16-1.4301-H	-	-
10	33.2439.0000	Winkel Brühwasseranschluss	angle brewing water connection	-	-
11	33.2561.3000	Beleuchtungssteuerung NG	illumination controller NG	1	-
15	33.2492.1099	Leistungsstufe 32	power stage 32	1	-
16	33.7006.0905	Buchse Steckanschluss L-Stück	bushing plug-in connection elbow	1	-
17	33.2493.1000	Schrittmotoransteuerung CAN	step motor drive CAN	1	-
18	33.2629.1000	Abstandshalter	spacer	-	-
21	33.2595.8000	Kabelhalterung	cable support	-	-
24	33.2592.8000	Puffer	buffer	-	-
26	00.0047.3664	EJOT PT-Schraube KA 25x10-WN 1411-A2	EJOT PT-screw KA 25x10 WN 1411-A2	-	-
27	33.2433.0000	Winkelsensor	angle sensor	1	-



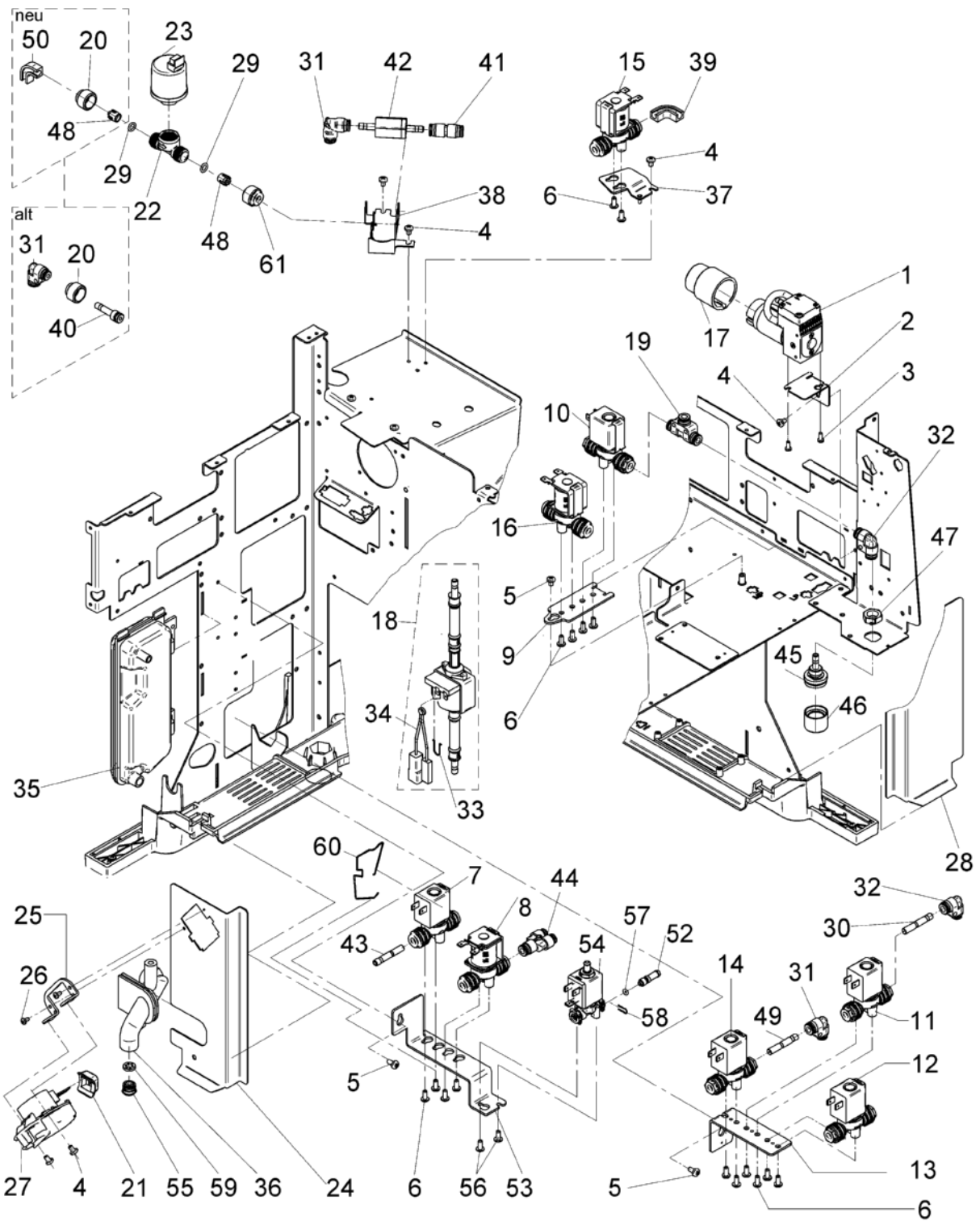
Pos.	Art.-Nr. Art. no.	Bezeichnung Tech-Info Service-Info	Designation Tech-Info Service-Info	EA1	EA2
28	00.0047.3361	Flkpf-Schraube ISO 7045-M 4x 8-1.4301-H	pan head screw ISO 7045-M 4x 8-1.4301-H	-	-
29	33.2613.2000	Taster Netz Ein/Aus	button power on/off	1	-
30	33.1473.8000	Durchführungsstülle	rubber funnel	-	-
31	33.1246.4000	Abdeckkappe	cap	-	-
33	00.0047.3356	Flkpf-Schraube ISO 7045-M 4x 5-1.4301-H	pan head screw ISO 7045-M 4x 5-1.4301-H	-	-
35	33.2908.1000	Set, Distanzbleche 0,5 mm + 1,0 mm	set, spacers 0.5 mm + 1.0 mm	-	-
36	33.2908.2000	Brüherantrieb mit Set Distanzbleche	brewer drive with set of spacers	-	-
37	00.0047.2141	Scheibe ISO 7092- 4-1.4301	washer ISO 7092- 4-1.4301	-	-
38	00.0048.4955	Isoliergewebepband schwarz Tesa 4651 25mm 100 mm lang	adh. insul. tape black Tesa 4651 25mm 100 mm long	-	-



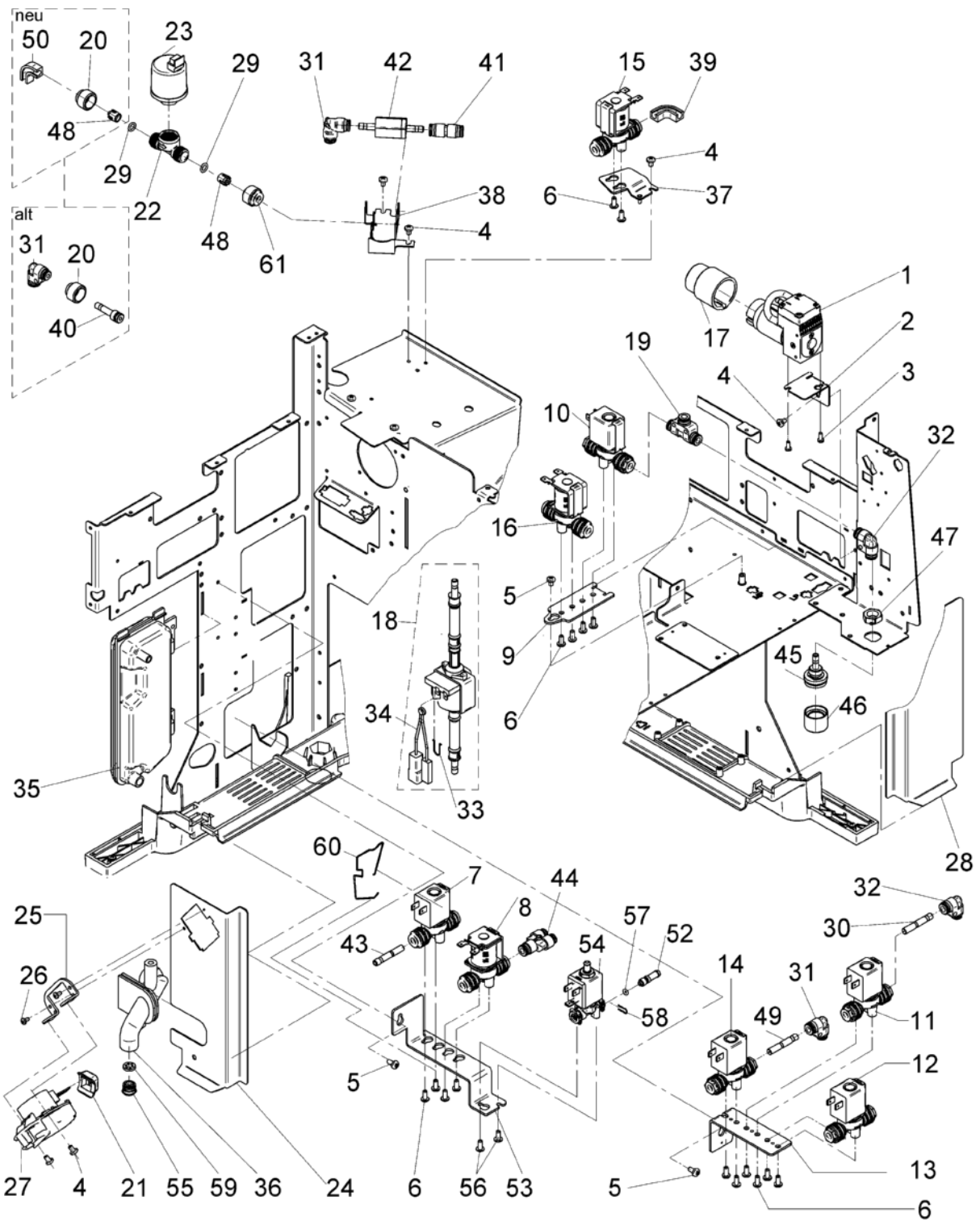
Pos.	Art.-Nr. Art. no.	Bezeichnung Tech-Info Service-Info	Designation Tech-Info Service-Info	EA1	EA2
1	33.2323.0000	Luftpumpe	air pump	-	-
3	00.0047.3318	Flkpf-Schraube ISO 7045-M 3x 8-1.4301-H	pan head screw ISO 7045-M 3x 8-1.4301-H	-	-
4	00.0047.3358	Flkpf-Schraube ISO 7045-M 4x 6-1.4301-H	pan head screw ISO 7045-M 4x 6-1.4301-H	-	-
5	00.0047.3358	Flkpf-Schraube ISO 7045-M 4x 6-1.4301-H	pan head screw ISO 7045-M 4x 6-1.4301-H	-	-
6	00.0047.3653	EJOT PT-Schraube KA 40x10 WN 1411-A2	EJOT PT-screw KA 40x10 WN 1411-A2	-	-
7	33.XXXX.XXXX	Hinweis: Entlüftungsventil Dampfkessel Ventil 5, s. Zng. Ventile	Note: ventilation valve steam boiler valve valve 5, see drawing Valves	-	-
8	33.XXXX.XXXX	Hinweis: Entspannventil Brüher Ventil 15, s. Zng. Ventile	Note: release valve brewer valve 15 protective sleeve for stranded wires - air pump, see drawing Valves	-	-
10	33.XXXX.XXXX	Hinweis: Heisswasserventil Ventil 4, s. Zng. Ventile	Note: hot water valve valve 4, see drawing Valves	-	-
11	33.XXXX.XXXX	Hinweis: Schäumerspülventil Ventil 7, s. Zng. Ventile	Note: foamer rinsing valve valve 7, see drawing Valves	-	-
12	33.XXXX.XXXX	Hinweis: Zumischventil Heisswasser kalt Ventil 8, s.Zng. Ventile	Note: hot water mixing valve cold valve 8, see drawing Valves	-	-
14	33.XXXX.XXXX	Hinweis: Dampfkesselzulaufventil Ventil 6, s. Zng. Ventile	Note: steam boiler infeed valve valve 6, see drawing Valves	-	-
15	33.XXXX.XXXX	Hinweis: Schokventil 1 Ventil 10, s. Zng. Ventile	Note: choc valve valve 10, see drawing Valves	-	-
16	33.XXXX.XXXX	Hinweis: Schokventil 2 / Spülventil Active Milk Ventil 11 / Ventil 16, s. Zng. Ventile	Note: choc valve 2 rinsing valve Active Milk valve 11/ valve 16, see drawing Valves	-	-
17	33.2626.4000	Tülle	spout	-	-
18	33.2868.8099	Zumischpumpe kpl.	mixing pump compl.	1	-
19	33.2242.9000	Steckanschluss T 6-6-4	plug-in connection T 6-6-4	-	-
19	33.1445.7000	Steckanschluss T 6-6-6	plug-in connection T 6-6-6	-	-



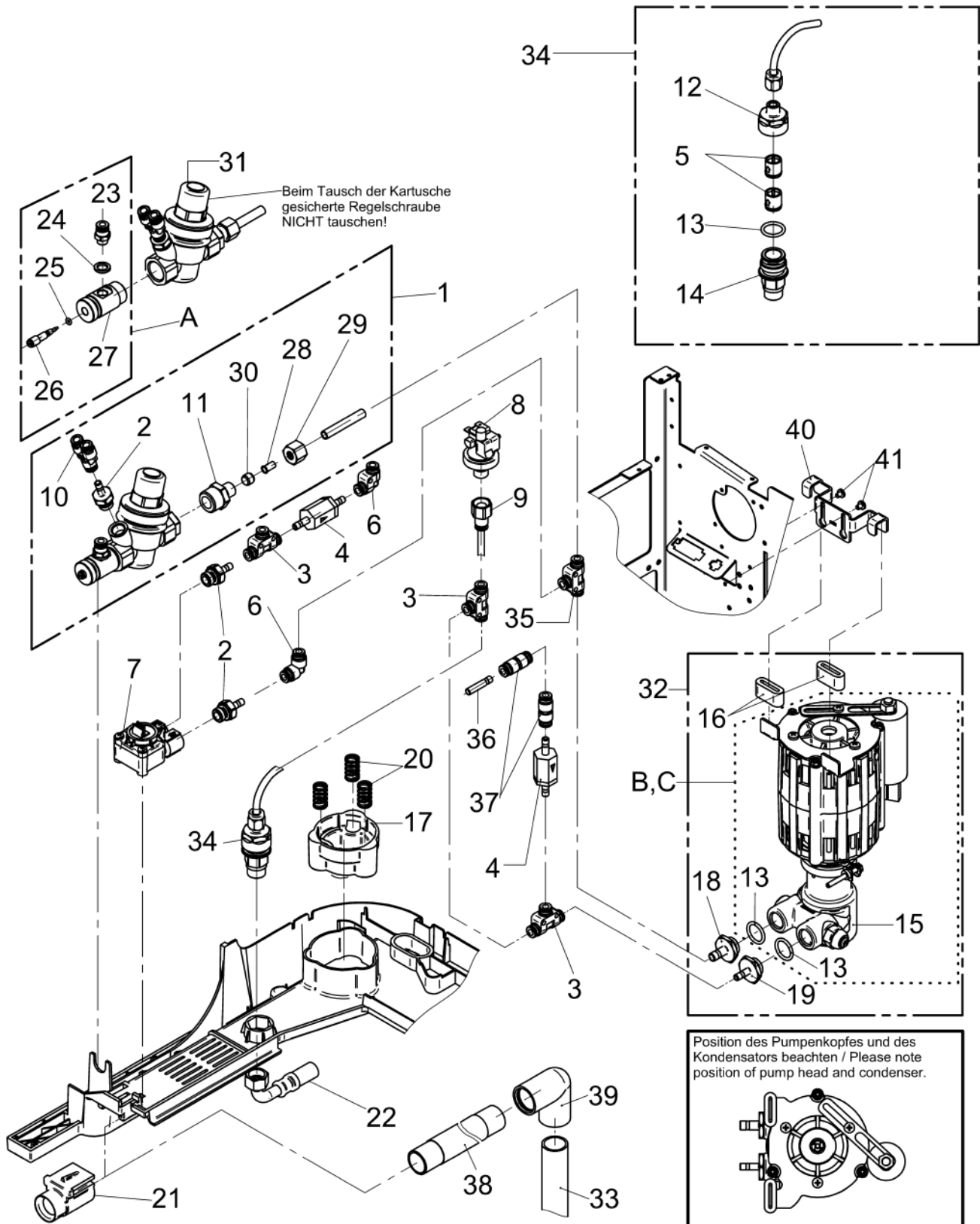
Pos.	Art.-Nr. Art. no.	Bezeichnung Tech-Info Service-Info	Designation Tech-Info Service-Info	EA1	EA2
20	33.2274.1000	Überwurfmutter, weiß, 6mm M15x1	union nut, white, 6 mm M15x1	-	-
21	33.2626.5000	Kabeltülle	cable sleeve	-	-
22	33.2354.6000	Grundkörper Drucksensor	base body pressure sensor	-	-
23	33.2241.8000	Drucksensor	pressure sensor	1	-
24	33.9527.0000	Klebeschildsatz 2 Milch, bl-wt	adhesive label set 2-milk, bl-wt	-	-
24	33.2438.0200	Verkleidung, links Klemmventil, 2 Milch	cover, left pinch valve, 2-milk	-	-
24	33.9527.0100	Klebeschildsatz 2 Milch, rd-gn	adhesive label set 2-milk, rd-gn	-	-
24	33.2848.7199	Schlauch 2Milch kompl Active bl-ws 2Milch kompl. Active bl-wt	2Milk kompl. Active bl-wt	-	-
24	33.2438.0000	Verkleidung, links	cover, left	-	-
24	33.2438.0100	Verkleidung, links Klemmventil	cover, left pinch valve	-	-
24	33.2848.7299	Schlauch 2 Milch, Active rd-gn, kpl.	hose 2-milk, active rd-gn, compl.	-	-
26	00.0047.3316	Flkupf-Schraube ISO 7045-M 3x 6-1.4301-H	pan head screw ISO 7045-M 3x 6-1.4301-H	-	-
27	33.2858.9099	Klemmventil, kpl.	pinch valve, compl.	1	-
28	33.2438.1000	Verkleidung, rechts	cover, right	-	-
28	33.2438.1100	Verkleidung, rechts Klemmventil	cover, right pinch valve	-	-
29	33.2274.0000	O-Ring 6,07x1,78 FKM	O-ring, 6.07x1.78 FKM	-	-
30	33.2411.0000	Blende 1,0 mm	restrictor 1,0 mm	-	-
31	33.2021.5000	Steckanschluss L 6-6	plug-in connection L 6-6	-	-
32	33.2033.5000	Steckanschluss L 6-4	plug-in connection L 6-4	-	-
33	33.2341.9000	Halteklammer	mounting clip	-	-



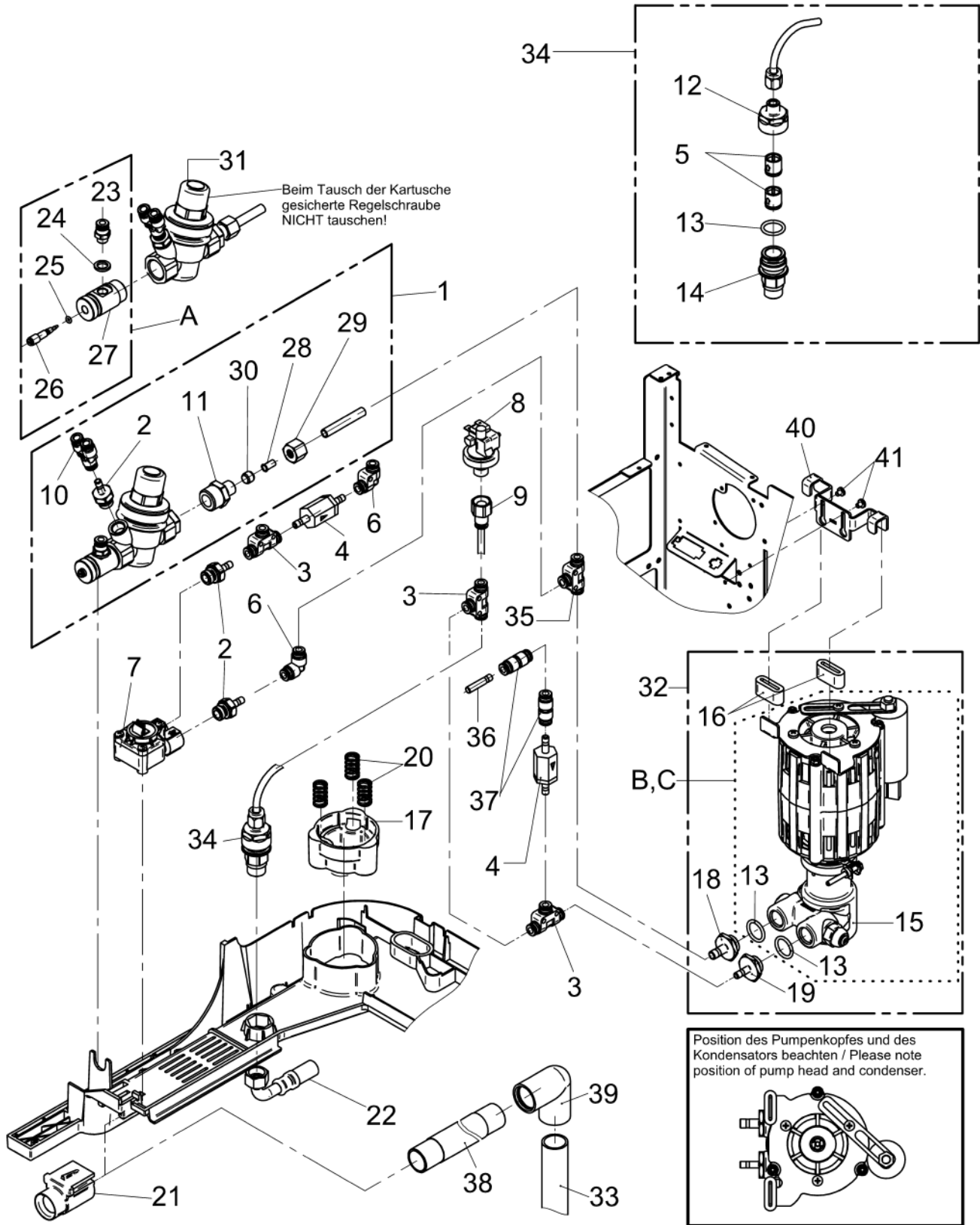
Pos.	Art.-Nr. Art. no.	Bezeichnung Tech-Info Service-Info	Designation Tech-Info Service-Info	EA1	EA2
35	33.2479.3000	Kondensatabscheider kpl.	condensate separator compl.	1	-
36	33.2479.4000	Tülle, Kondensator	spout, condenser	1	-
39	33.2229.4000	Schlauchstütze 6er	hose support 6mm	-	-
41	33.1402.7000	Steckanschluss I 6-6	plug-in connection I 6-6	-	-
42	33.2729.8000	Rückschlagventil	check valve	-	-
43	33.2411.5000	Blende 1,5 mm	aperture 1.5 mm	-	-
44	33.2293.5000	Steckanschluss Y 6-4-4	plug-in connection Y 6-4-4	-	-
45	33.2191.8000	Anschlussstück	connection piece	-	-
46	33.0336.7000	Düse, Auslauf	nozzle, spout	-	-
47	33.0227.7000	Sechskantmutter	hexagon nut	-	-
48	33.2274.2000	Klemmring	clamping ring	-	-
49	33.2411.2000	Blende 1,2 mm 1,20 mm	aperture 1.20 mm	-	-
50	33.2229.4000	Schlauchstütze 6er	hose support 6mm	-	-
52	33.4001.5000	Nippel, Schlauch	plug, hose	-	-
54	33.4011.6000	Ventil 2/2 NW1,4 Hub 1,0 NO Ventil 18	valve 2/2 NW1.4 stroke 1.0 NO valve 18	-	-
55	33.2698.0000	Einsatz, Entspannteil	insert, condenser	-	-
56	00.0047.3651	EJOT PT-Schraube KA 35x 8-WN 1412-4303	EJOT PT-screw KA 35x 8-WN 1412-4303	-	-
57	33.7006.5192	O-Ring 3,68x1,78 MVQ	O-ring, 3.68x1.78 MVQ	-	-
58	33.4002.1000	Federbügel	spring clip	-	-
59	33.4111.5000	Blende	aperture	-	-



Pos.	Art.-Nr. Art. no.	Bezeichnung Tech-Info Service-Info	Designation Tech-Info Service-Info	EA1	EA2
60	33.4159.2000	Erdungsfeder 2	grounding spring 2	-	-
61	33.2274.4000	Überwurfmutter, schwarz, 6 mm	union nut, black, 6 mm	-	-



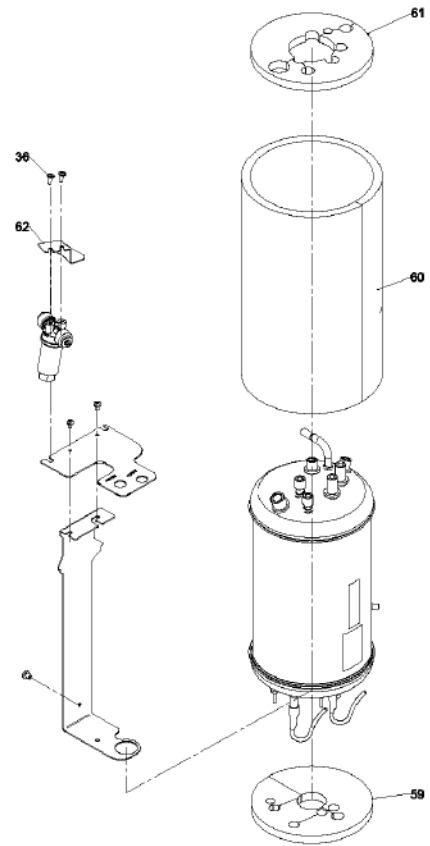
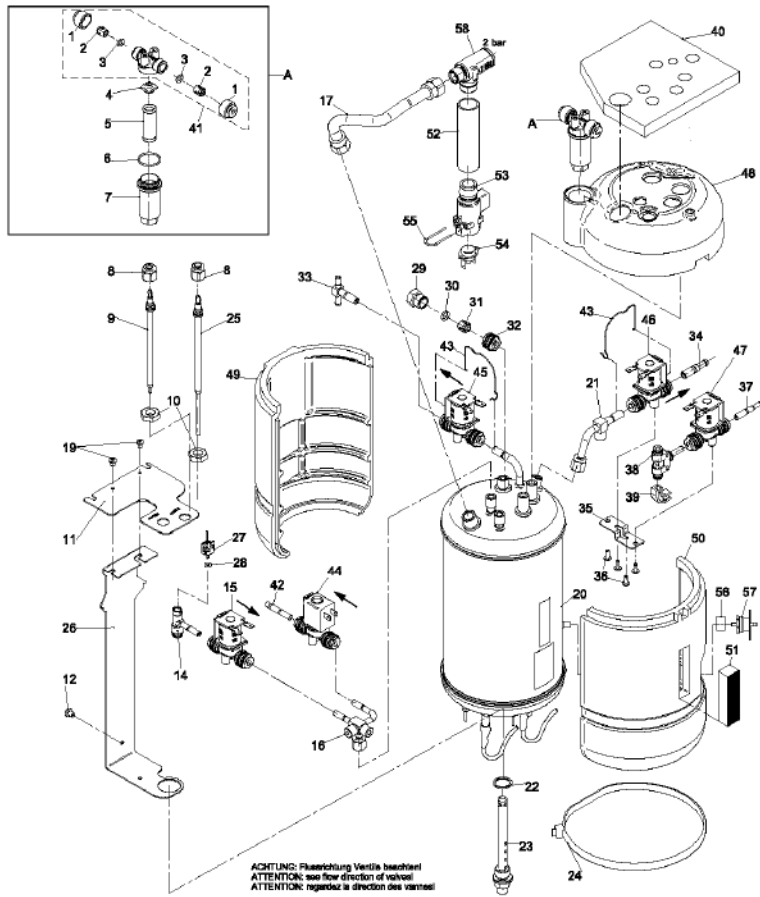
Pos.	Art.-Nr. Art. no.	Bezeichnung Tech-Info Service-Info	Designation Tech-Info Service-Info	EA1	EA2
1	33.2789.5099	Reduzierventil, kpl.	reduction valve, compl.	1	-
2	33.0395.4000	O-Ring 10,82x1,78 EPDM	O-ring, 10.82x1.78 EPDM	-	-
2	33.1445.6000	Steckanschluss I 6-G1_4	plug-in connection I 6-G1_4	-	-
3	33.1445.7000	Steckanschluss T 6-6-6	plug-in connection T 6-6-6	-	-
4	33.2729.8000	Rückschlagventil	check valve	-	-
5	33.1543.0000	Rückschlagventil	check valve	-	-
6	33.2021.5000	Steckanschluss L 6-6	plug-in connection L 6-6	-	-
7	33.2263.8100	Durchflussmengenmesser	flow meter	-	-
8	33.2588.6000	Druckschalter	pressure switch	1	-
9	33.1498.8000	Steckanschluss I 6-G1_4 eingeklebt mit Mat.-Nr. 00 0048 7704	plug-in connection I 6-G1_4 glued-in with material number 00 0048 7704	-	-
10	33.2237.4000	Steckanschluss Y 6-6-6	plug-in connection Y 6-6-6	-	-
11	33.0488.5000	Reduziernippel eingeklebt mit Mat.-Nr. 00 0048 7704	reducing nipple glued-in with material number 00 0048 7704	-	-
13	33.0395.5000	O-Ring 17,12x2,62 EPDM Gruppe	O-ring, 17.12x2.62 EPDM group	-	-
17	33.2354.7000	Aufnahme Pumpenkopf	holder pump head	-	-
18	33.0395.5000	O-Ring 17,12x2,62 EPDM	O-ring, 17.12x2.62 EPDM	-	-
18	33.2587.3000	Nippel-Steckanschluss I 6-G3_8 3/8 auf 6er	nipple I 6-G3_8 3/8 to 6-way	-	-
19	33.0395.5000	O-Ring 17,12x2,62 EPDM	O-ring, 17.12x2.62 EPDM	-	-
19	33.2587.4000	Nippel-Steckanschluss I 8-G3_8 3/8 auf 8er	nipple I 8-G3_8 3/8 to 8-way	-	-
20	33.0199.0000	Feder	spring	-	-
21	33.2540.8000	Kupplung Tropfschale	coupling drip tray	-	-



Pos.	Art.-Nr. Art. no.	Bezeichnung Tech-Info Service-Info	Designation Tech-Info Service-Info	EA1	EA2
22	33.2369.4000	Zulaufschlauch 2x G 3/8 ohne Ummantelung	infeed hose 2x G 3/8 without coating	-	-
23	33.1446.1000	Steckanschluss I 6-G1_8	plug-in connection I 6-G1_8	-	-
24	33.1555.8000	Dichtung	seal	-	-
25	33.0398.5000	O-Ring 2,90x1,78 EPDM	O-ring, 2.90x1.78 EPDM	-	-
26	33.2193.1000	Nadelblende	needle orifice	-	-
28	33.1242.8000	Stützhülse	carrying bracket	-	-
29	33.0221.4000	Überwurfmutter	union nut	-	-
30	33.0311.4000	Klemmring	clamping ring	-	-
31	33.1394.3000	Kartusche	cartridge	-	-
33	00.0048.0042	Ablaufschlauch DN 19 PP grau	discharge hose DN 19 PP grey	-	-
34	33.2800.4599	Wassereinlauf kpl.	water inlet compl.	-	-
35	33.2525.3000	Steckanschluss T 8-6-8	plug-in connection T 8-6-8	-	-
36	33.2133.4000	Stift	stud	-	-
37	33.1402.7000	Steckanschluss I 6-6	plug-in connection I 6-6	-	-
38	33.4003.0000	Rohr, Ablauf	pipe, drain	-	-
39	33.2165.8000	Verbindungsstück, gewinkelt	connector piece, tilted	-	-
A	33.2890.1000	Blende, einstellbar kpl.	aperture, adjustable compl.	1	-
B	33.2921.4199	Flügelzellenpumpe balanced, Japan 200 V/3 kW	vane type pump balanced, 200 V/3 kW Japan	-	-
B	33.2921.4099	Flügelzellenpumpe balanced	vane type pump balanced	-	-

ab Modifikation 1

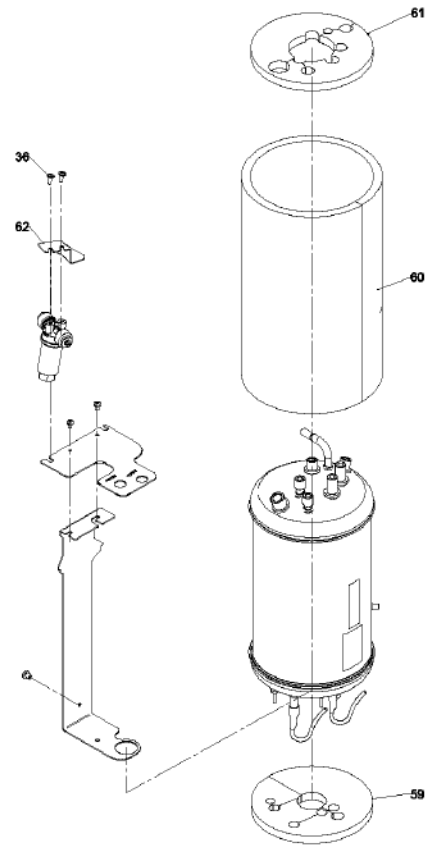
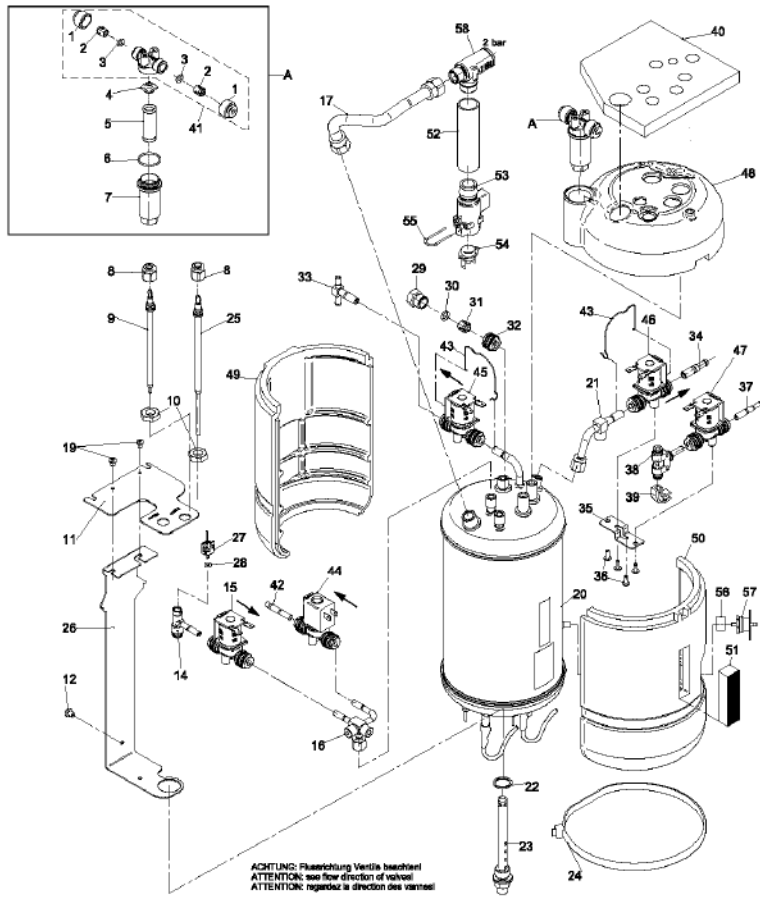
UK-Variante



Pos.	Art.-Nr. Art. no.	Bezeichnung Tech-Info Service-Info	Designation Tech-Info Service-Info	EA1	EA2
1	33.2274.1000	Überwurfmutter, weiß, 6mm M15X1	union nut, white, 6 mm M15X1	-	-
2	33.2274.2000	Klemmring	clamping ring	-	-
3	33.2274.0000	O-Ring 6,07x1,78 FKM	O-ring, 6.07x1.78 FKM	-	-
4	33.2354.1000	Reduzierstück Wasserfilter	reducer water filter	-	-
5	33.1509.2000	Siebeinsatz, grob Standard	filter insert, coarse default	-	-
5	33.0668.8000	Siebeinsatz, fein	filter insert, fine	-	-
6	33.2283.2000	O-Ring 21,95x1,78 EPDM	O-ring, 21.95x1.78 EPDM	-	-
7	33.2354.0000	Hülse Wasserfilter	sleeve water filter	-	-
8	33.2290.6000	Überwurfmutter M12x1	union nut M12x1	-	-
9	33.2849.4000	Elektrode BW-Titan, kpl.	electrode BW titanium, compl.	1	-
10	33.2254.5000	Sechskantmutter, M12x1, SW17 M12x1-SW17	hexagon nut, M12x1, WAF17 M12x1-SW17	-	-
12	00.0047.3385	Flkopf-Schraube ISO 7045-M 5x 6-1.4301-H	pan head screw ISO 7045-M 5x 6-1.4301-H	-	-
14	33.2350.7000	Grundkörper Temperaturfühler, kpl.	base body temperature sensor, compl.	1	-
15	33.2400.7000	Ventil 2/2 NW2,5 Hub 0,75-12 bar Ventil 1, siehe Zeichnung 7	valve 2/2 NW2.5 stroke 0.75-12 bar valve 1, see drawing 7	-	-
16	33.2540.0000	Brühwasserverteiler, 2	brewing water distributor, 2	-	-
17	33.2353.0000	Rohr SV kpl.	pipe PS, compl.	-	-
18	33.2515.5000	Sicherheitsventil 10 bar 10 bar	safety valve 10 bar 10 bar	-	-
19	00.0047.3358	Flkopf-Schraube ISO 7045-M 4x 6-1.4301-H	pan head screw ISO 7045-M 4x 6-1.4301-H	-	-
20	33.2352.0000	Kessel 3,1 L, 230 V-3000 W/400 V-6000 W 2 Beheizungen, Europa, Korea, Australien, Neuseeland, Schiff 3/PE	boiler 3.1 L, 230 V-3000 W/400 V-6000 W 2 heaters, Europe, Korea, Australia, New Zealand, Ship3/PE	-	-

ab Modifikation 1

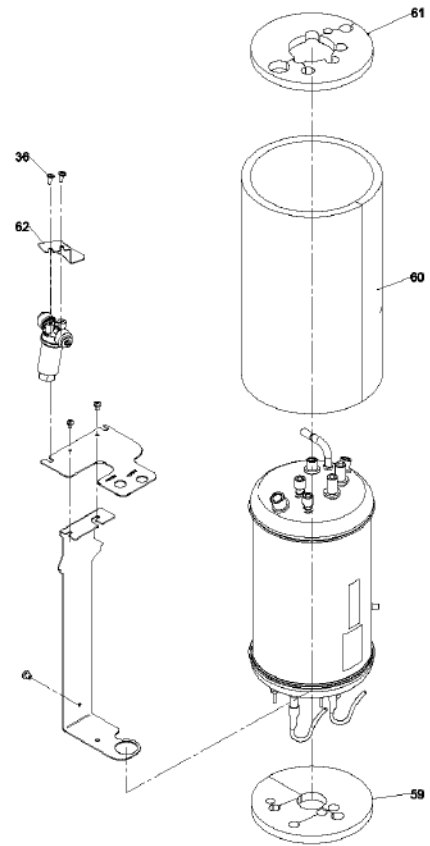
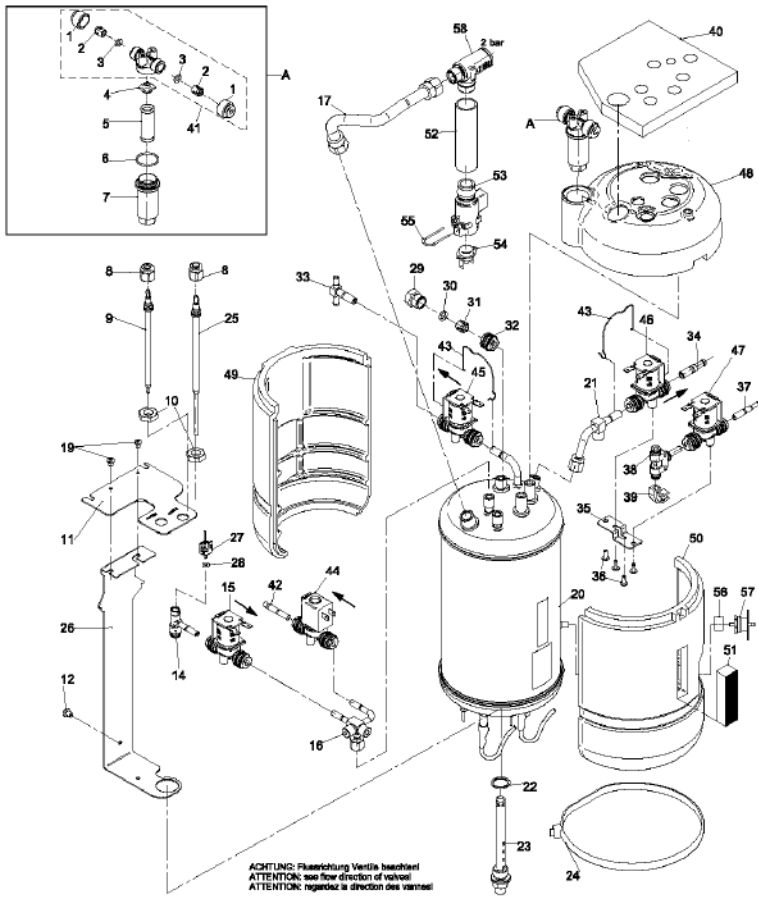
UK-Variante



Pos.	Art.-Nr. Art. no.	Bezeichnung Tech-Info Service-Info	Designation Tech-Info Service-Info	EA1	EA2
20	33.2352.4199	Kessel 3,1 L, 230 V-2700 W, UK	boiler 3.1 L, 230 V-2700 W, UK	-	-
20	33.2352.2000	Kessel 3,1 L, 240 V-4600 W/240 V-6100 W Taiwan, USA	boiler 3.1 L, 240 V-4600 W/240 V-6100 W Taiwan, USA	-	-
20	33.2352.1000	Kessel 3,1 L, 200 V-3700 W/200 V-5700 W Japan	boiler 3.1 L, 200 V-3700 W/200 V-5700 W Japan	-	-
20	33.2352.0299	Kessel 3,1 L, 400 V-6000 W, UK 6,45 kW-415 V	boiler 3.1 L, 400 V-6000 W, UK 6.45 kW-415 V	-	-
21	33.2536.9000	Rohr bei Super Steam, kpl.	pipe with Super Steam, compl.	-	-
22	33.0060.3000	Dichtring DIN 7603-A 17x21 CU	sealing ring DIN 7603-A 17x21 CU	-	-
23	33.2499.0000	Nippel HW-Ausgabe	plug HW spout	-	-
24	33.1217.3001	Kabelbinder	cable clip	-	-
25	33.2849.5000	Elektrode NW-Titan, kpl.	electrode LW titanium, compl.	1	-
27	33.2495.0000	Temperaturfühler	temperature sensor	1	-
28	33.2534.8000	O-Ring 3,60x1,90 EPDM	O-ring, 3.60x1.90 EPDM	1	-
29	33.2598.6000	Verschlussschraube, 8 ohne Cappuccino	locking screw, 8 without cappuccino	-	-
30	33.2275.3000	O-Ring 8,07x1,78 FKM ohne Cappuccino	O-ring, 8.07x1.78 FKM without cappuccino	-	-
31	33.2275.2000	Klemmring ohne Cappuccino	clamping ring without cappuccino	-	-
32	33.2275.0000	Überwurfmutter, weiß, 8 mm	union nut, white, 8 mm	-	-
33	33.2617.7000	Schlauchverbinder T	hose coupling T	1	-
34	33.2525.5000	Nippel, Schlauch AVS-Buschjost	plug, hose AVS Buschjost	-	-
36	00.0047.3653	EJOT PT-Schraube KA 40x10 WN 1411-A2	EJOT PT-screw KA 40x10 WN 1411-A2	-	-
37	33.2468.6000	Nippel, Schlauch	plug, hose	-	-

ab Modifikation 1

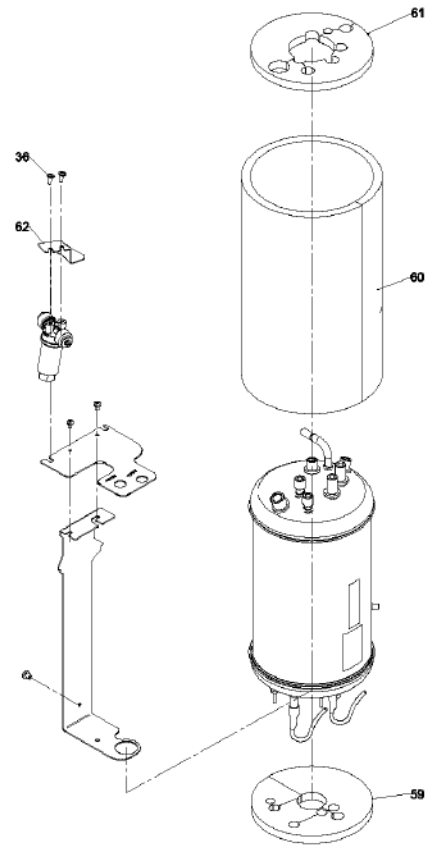
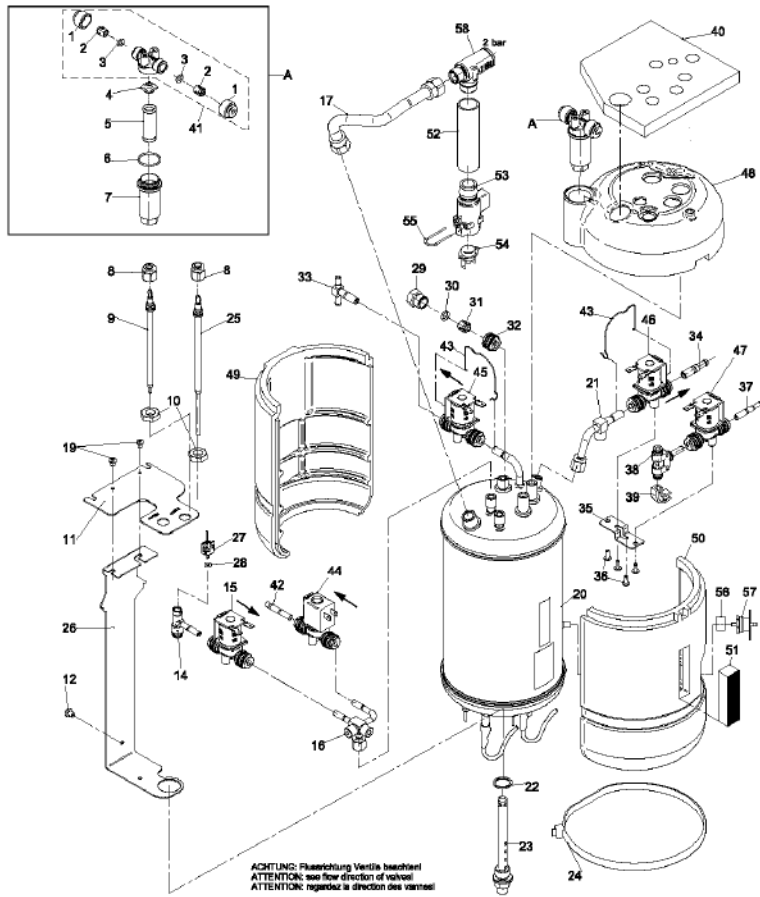
UK-Variante



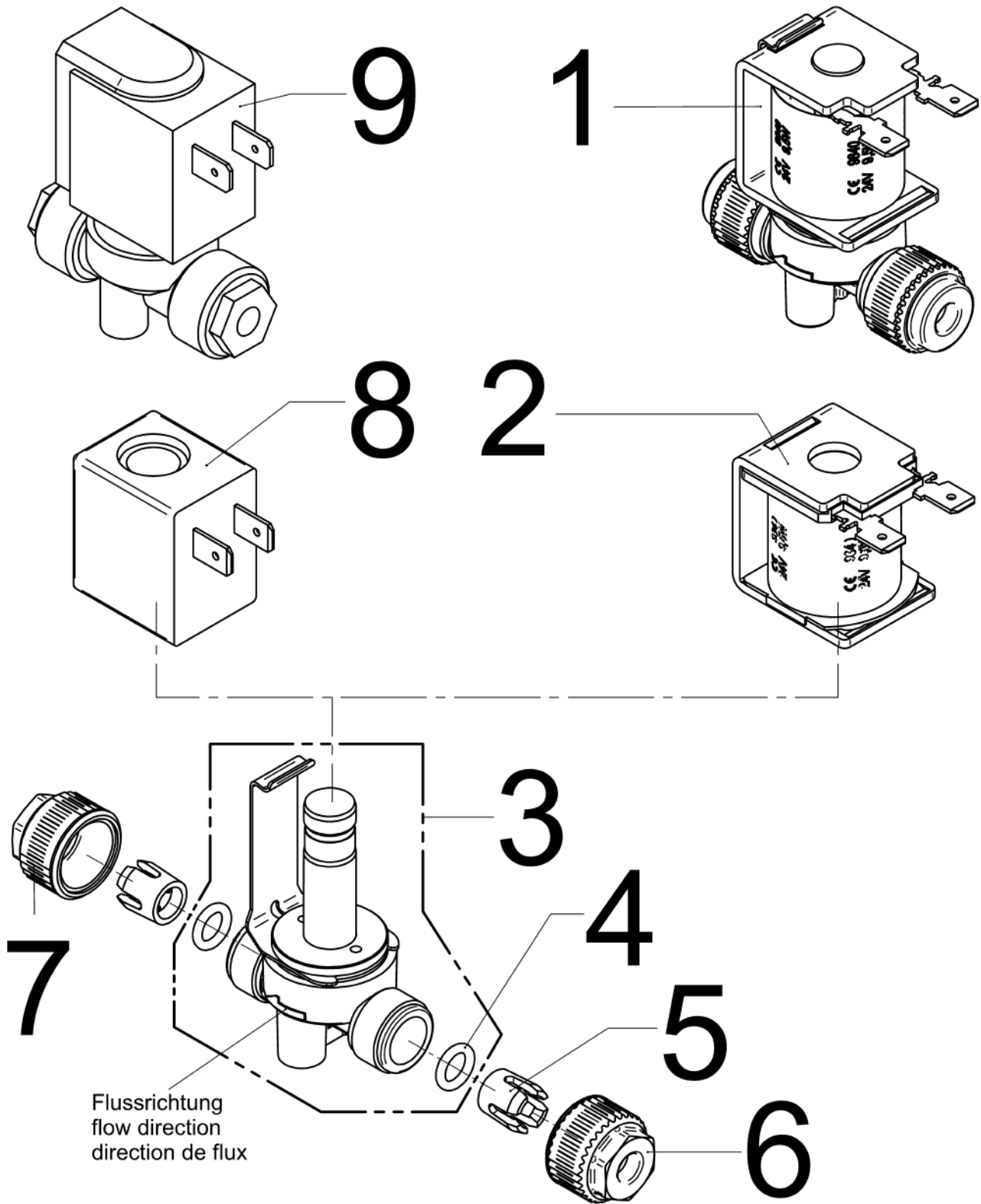
Pos.	Art.-Nr. Art. no.	Bezeichnung Tech-Info Service-Info	Designation Tech-Info Service-Info	EA1	EA2
38	33.1445.7000	Steckanschluss T 6-6-6	plug-in connection T 6-6-6	-	-
39	33.2229.4000	Schlauchstütze 6er	hose support 6mm	-	-
40	33.2626.1000	Isolierplatte	insulated plate	-	-
41	33.2538.1000	Grundkörper kpl.	base body compl.	-	-
42	33.2410.7000	Blende 0,7 mm	aperture 0.7 mm	-	-
43	33.4151.9000	Erdungsfeder	grounding spring	-	-
44	33.2273.6000	Ventil 2/2 NW2,5 Hub 0,75 Ventil 14	valve 2/2 NW2.5 stroke 0.75 valve 14	-	-
45	33.2274.8000	Ventil 2/2 NW4,5 Hub 1,2 Ventil 2	valve 2/2 NW4.5 stroke 1.2 valve 2	-	-
46	33.2274.8000	Ventil 2/2 NW4,5 Hub 1,2 Ventil 3	valve 2/2 NW4.5 stroke 1.2 valve 3	-	-
47	33.2500.1000	Ventil 2/2 NW2,5 Hub 0,75, gr. Spule Ventil 19	valve 2/2 i.d.2.5 stroke 0.75 large coil valve 19	-	-
48	33.2353.1000	Isolierung Deckel	insulation lid	-	-
49	33.2353.1100	Isolierung Schale, vorn	insulation cover, front	-	-
50	33.2353.1200	Isolierung Schale, hinten	insulation cover, rear	-	-
51	33.2655.3000	Schaumplatte	foam sheet	-	-
53	33.2656.9000	Tülle	spout	-	-
54	33.2674.3000	Sicherheitstemperaturbegrenzer	safety temperature limiter	-	-
55	33.2242.5000	Sicherung, Nippel	retainer, plug	-	-
56	33.2674.1000	Klixonbefestigung	Klixon mount	-	-
57	33.2674.2000	Sicherheitstemperaturbegrenzer	safety temperature limiter	-	-
58	33.2622.2000	Sicherheitsventil 2 bar	safety valve 2 bar	1	-

ab Modifikation 1

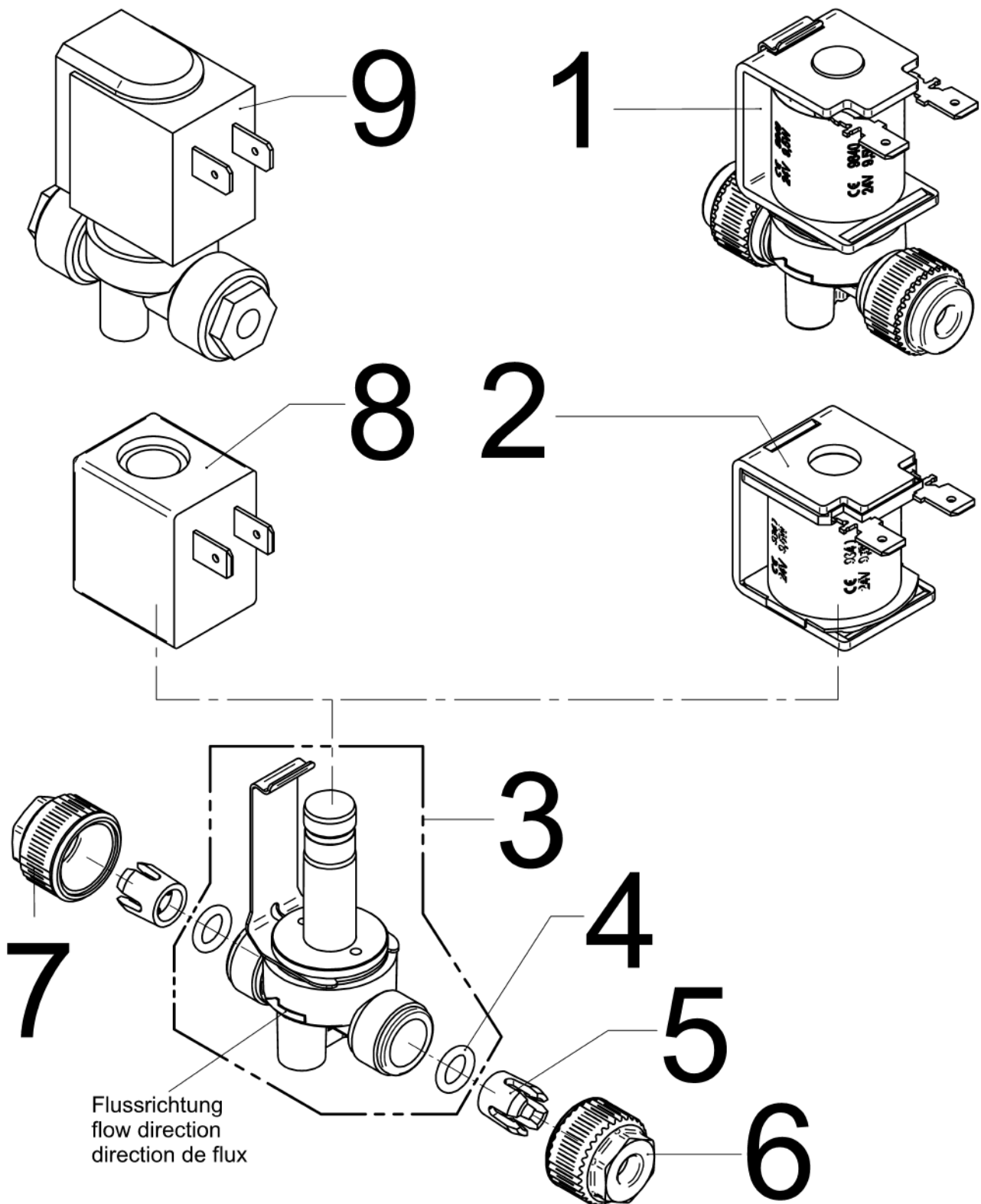
UK-Variante



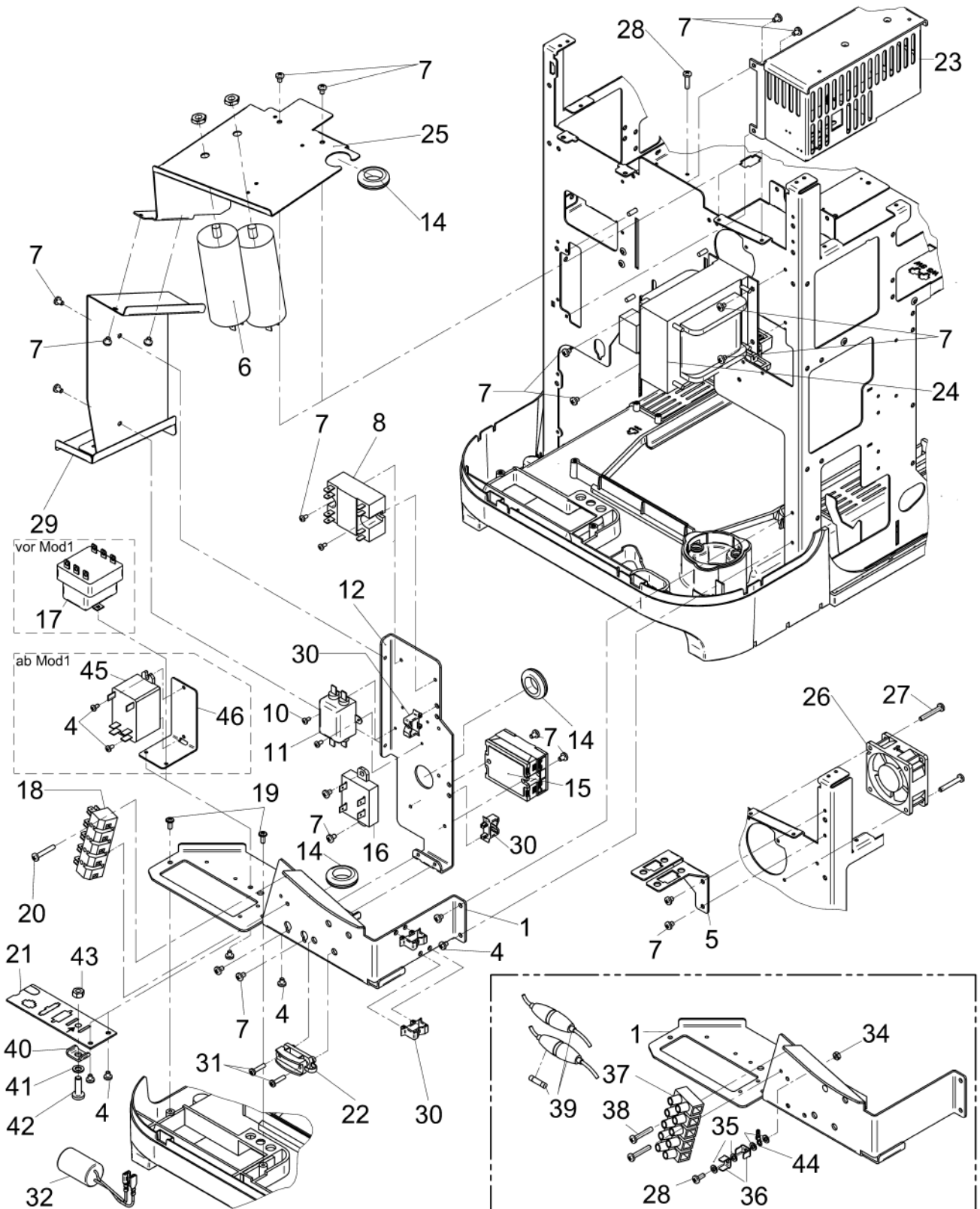
Pos.	Art.-Nr. Art. no.	Bezeichnung Tech-Info Service-Info	Designation Tech-Info Service-Info	EA1	EA2
58	33.2622.2199	Sicherheitsventil 2 bar, UK Zertifikat	safety valve 2 bar, UK certificate	-	-
59	33.4063.0000	Kesselisolierung, Boden nur UK	boiler insulation, base for UK only	-	-
60	33.4062.8000	Kesselisolierung nur UK	boiler insulation for UK only	-	-
61	33.4062.9000	Kesselisolierung, Deckel nur UK	boiler insulation, lid for UK only	-	-
62	33.4070.5000	Winkel, Wasserfilter nur UK	angle, water filter for UK only	-	-
A	33.2849.7099	Wasserfilter kpl.	water filter compl.	1	-



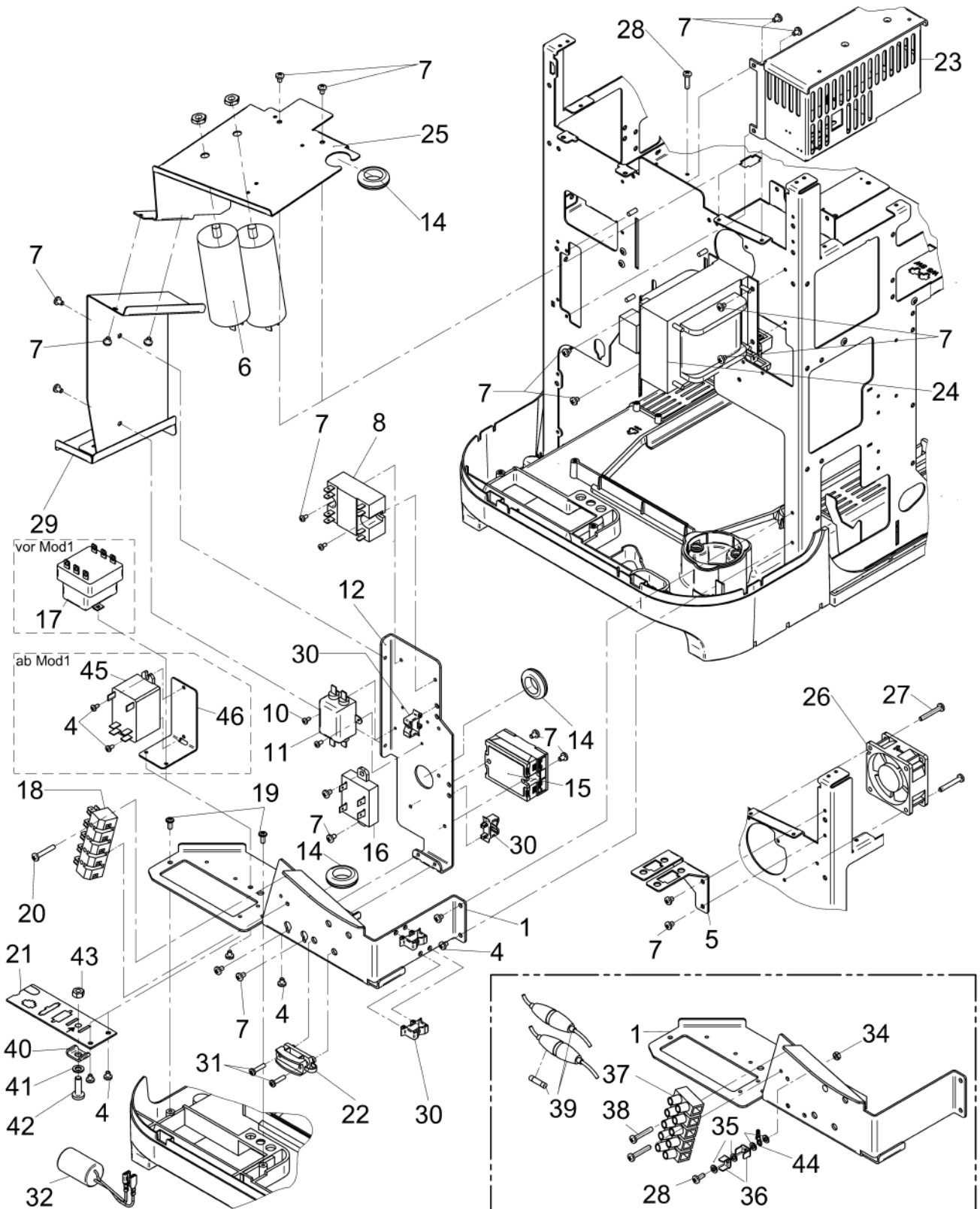
Pos.	Art.-Nr. Art. no.	Bezeichnung Tech-Info Service-Info	Designation Tech-Info Service-Info	EA1	EA2
1	33.2400.7000	Ventil 2/2 NW2,5 Hub 0,75-12 bar Brühwasserventil	valve 2/2 NW2.5 stroke 0.75-12 bar brewing water valve	1	-
2	33.2274.7000	Magnetkörper nicht ummantelt, für Ventile Pos1.	magnet body not encased, for valve item 1.	-	-
3	33.2274.5000	Ventil 2/2 NW2,5 Hub 1,2, ohne Spule Ersatzventil ohne Magnet, Entspannventil Brüher	valve 2/2 NW2.5 stroke 1.2, no solenoid spare valve no magnet, release valve, brewer	-	-
3	33.2274.9000	Ventil 2/2 NW4,5 Hub 1,2, ohne Spule Ersatzventil ohne Magnet, Cappuccino-, Dampfausgabeventil	valve 2/2 NW4.5 stroke 1.2, no solenoid spare valve no magnet, cappuccino/steam dispensing valve	-	-
3	33.2400.8000	Ventil 2/2 NW2,5 Hub 0,75-12 bar, o. Sp Ersatzventil ohne Magnet, Brühwasserventil	valve 2/2 id2.5 stroke0.75-12bar no coil spare valve no magnet, brewing wate valve	1	-
3	33.2273.9000	Ventil 2/2 NW2,5 Hub 0,75-10 bar, o.Spule Ersatzventil ohne Magnet, Ventil Nr. 4/5/6/7/8/14/18	valve 2/2 id2.5 stroke0.75-10bar no coil spare valve no magnet, valve 4/5/6/7/8/14/18	-	-
3	33.2500.3000	Ventil 2/2 NW2,5 Hub 0,75, ohne Spule Ersatzventil ohne Magnet, Ventil Nr. 10/11/16/18/19	valve 2/2 NW2.5 stroke 0.75, no solenoid spare valve no magnet, valve 10/11/16/18/19	-	-
4	33.2274.0000	O-Ring 6,07x1,78 FKM für 6er Anschluss, für Ersatzventile 33 2273 9000, 33 2274 5000 und 33 2274 8000	O-ring, 6.07x1.78 FKM for 6mm connection, for spare valves 33 2273 9000, 33 2274 5000 and 33 2274 8000	-	-
4	33.2275.3000	O-Ring 8,07x1,78 FKM für 8er Anschluss, für Ersatzventil 33 2274 9000	O-ring, 8.07x1.78 FKM for 8mm connection, for spare valve 33 2274 9000	-	-
5	33.2274.2000	Klemmring für 6er Anschluss, für Ersatzventile 33 2273 9000, 33 2274 5000 und 33 2274 8000	clamping ring for 6mm connection, for spare valves 33 2273 9000, 33 2274 5000 and 33 2274 8000	-	-
5	33.2275.2000	Klemmring für 8er Anschluss, für Ersatzventil 33 2274 9000	clamping ring for 8mm connection, for spare valve 33 2274 9000	-	-
6	33.2274.1000	Überwurfmutter, weiß, 6mm für Ersatzventile 33 2273 9000, 33 2274 5000 und 33 2274 8000	union nut, white, 6 mm for spare valves 33 2273 9000, 33 2274 5000 and 33 2274 8000	-	-
6	33.2275.0000	Überwurfmutter, weiß, 8 mm für Ersatzventil 33 2274 9000	union nut, white, 8 mm for spare valve 33 2274 9000	-	-
7	33.2274.4000	Überwurfmutter, schwarz, 6 mm für Ersatzventile 33 2273 9000, 33 2274 5000 und 33 2274 8000	union nut, black, 6 mm for spare valves 33 2273 9000, 33 2274 5000 and 33 2274 8000	-	-
7	33.2275.1000	Überwurfmutter, schwarz, 8 mm für Ersatzventil 33 2274 9000	union nut, black, 8 mm for spare valve 33 2274 9000	-	-
8	33.2273.8000	Magnetkörper kleine Spule, für Ventil 33 2273 6000 und Ersatzventil 33 2273 9000	magnet body small solenoid, for valve 33 2273 6000 and spare valve 33 2273 9000	-	-



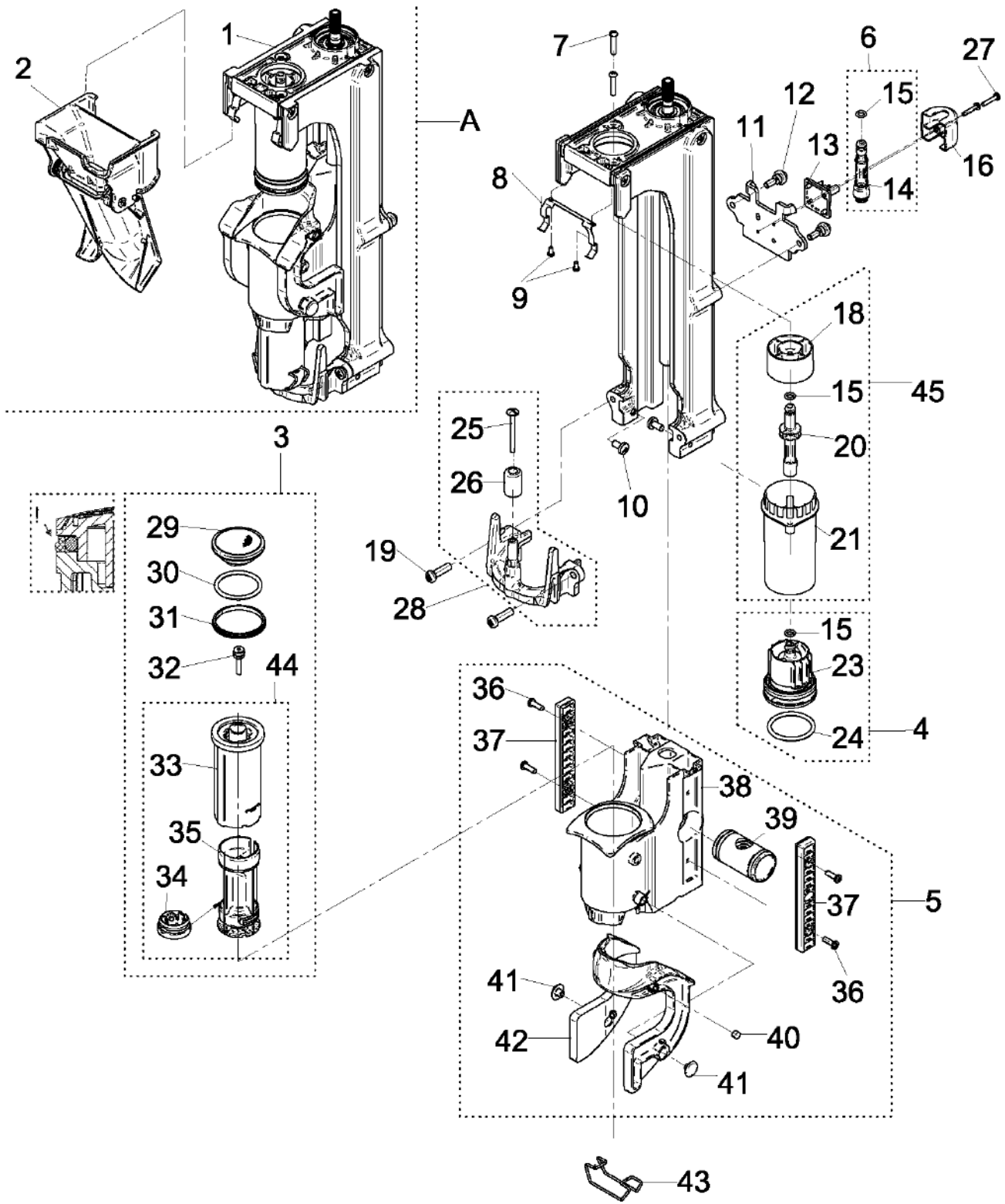
Pos.	Art.-Nr. Art. no.	Bezeichnung Tech-Info Service-Info	Designation Tech-Info Service-Info	EA1	EA2
99	33.4011.6000	Ventil 2/2 NW1,4 Hub 1,0 NO Active Milk und Active Milk Power, Ventil 17 und 18, inkl. Spule für Auto Steam	valve 2/2 NW1.4 stroke 1.0 NO Active Milk and Milk Power, valve 17 and 18, incl. solenoid for Auto Steam	-	-



Pos.	Art.-Nr. Art. no.	Bezeichnung Tech-Info Service-Info	Designation Tech-Info Service-Info	EA1	EA2
2	00.0047.3368	Flkpf-Schraube ISO 7045-M 4x20-1.4301-H	pan head screw ISO 7045-M 4x20-1.4301-H	-	-
4	00.0047.3356	Flkpf-Schraube ISO 7045-M 4x 5-1.4301-H	pan head screw ISO 7045-M 4x 5-1.4301-H	-	-
7	00.0047.3358	Flkpf-Schraube ISO 7045-M 4x 6-1.4301-H	pan head screw ISO 7045-M 4x 6-1.4301-H	-	-
8	33.2360.7000	Solid State Relais 2-polig	solid state relay 2-pin	-	-
10	00.0047.3313	Flkpf-Schraube ISO 7045-M 3x 5-1.4301-H	pan head screw ISO 7045-M 3x 5-1.4301-H	-	-
11	33.1656.8000	Störschutzfilter	noise filter	-	-
14	33.0641.9000	Kabeltülle	cable sleeve	-	-
15	33.9382.0000	Solid State Relais 50 A	solid state relay 50 A	-	-
16	33.2025.8000	Solid State Relais	solid state relay	-	-
17	33.1559.4000	Sicherheitstemperaturbegrenzer STB	safety temperature limiter safety temperature limiter STL	-	-
18	33.2069.1000	Steckerleiste 5P	plug strip 5P	-	-
19	00.0047.3653	EJOT PT-Schraube KA 40x10 WN 1411-A2	EJOT PT-screw KA 40x10 WN 1411-A2	-	-
20	00.0047.3369	Flkpf-Schraube ISO 7045-M 4x25-1.4301-H	pan head screw ISO 7045-M 4x25-1.4301-H	-	-
22	33.0589.7000	Schelle, Deckel	clamp, lid	-	-
23	33.2493.0000	Stromversorgung 90 W	power supply 90 W	-	-
24	33.9281.4000	Trafo 400/440 V -> 230 V 320 VA	transformer 400/440 V -> 230 V 320 VA	-	-
26	33.2617.5000	Ventilator 24 V, Molex-Buchse	fan 24 V, Molex socket	-	-
27	00.0047.3371	Flkpf-Schraube ISO 7045-M 4x28-1.4301-H	pan head screw ISO 7045-M 4x28-1.4301-H	-	-
28	00.0047.3365	Flkpf-Schraube ISO 7045-M 4x16-1.4301-H	pan head screw ISO 7045-M 4x16-1.4301-H	-	-

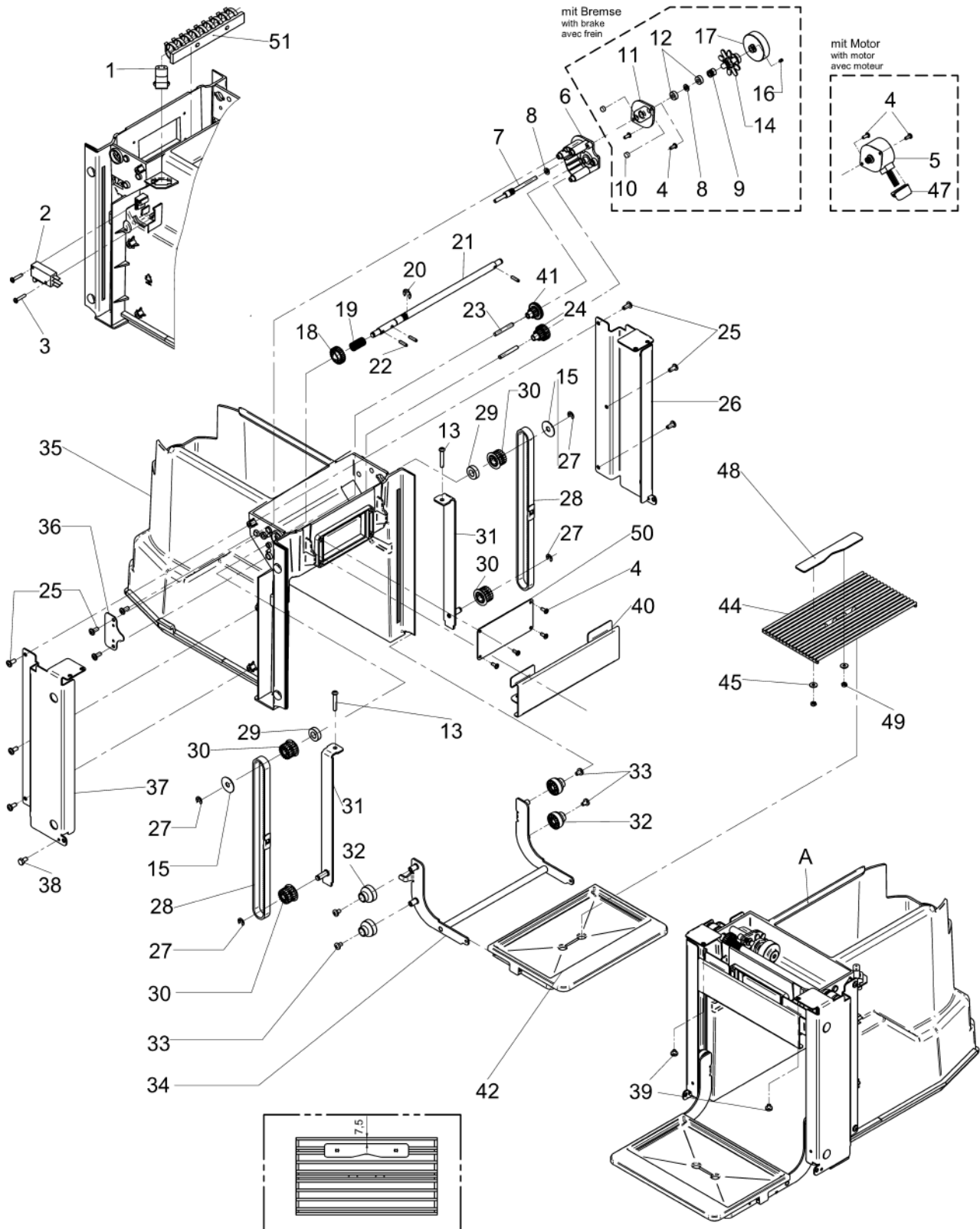


Pos.	Art.-Nr. Art. no.	Bezeichnung Tech-Info Service-Info	Designation Tech-Info Service-Info	EA1	EA2
30	33.2595.8000	Kabelhalterung	cable support	-	-
31	00.0047.1912	Blech-Shr ISO 7049-ST3, 5x19-C-H-1.4301	Sh.metal screw ISO 7049-ST3, 5x19-C-H-1.4	-	-
32	33.2200.1000	Entstörglied Filter	interference suppression element filter	-	-
34	00.0047.2049	Sechskantmutter ISO 4032-M 4-1.4301	hexagonnut ISO 4032-M 4-1.4301	-	-
35	00.0047.2251	Zahnscheibe DIN 6797-A 4,3-1.4300	tooth lock washer DIN 6797-A 4, 3-1.4300	-	-
36	33.0324.3000	Anschlusszunge	connection tab	-	-
37	33.0666.4000	Klemmleiste	clamping strip	-	-
38	00.0047.3368	Flkopf-Schraube ISO 7045-M 4x20-1.4301-H	pan head screw ISO 7045-M 4x20-1.4301-H	-	-
39	33.2653.6000	Schmelzeinsatz	fusible link	-	-
39	33.2653.5000	Sicherung kpl.	retainer compl.	-	-
41	00.0047.2257	Zahnscheibe DIN 6797-A 6,4-1.4300	tooth lock washer DIN 6797-A 6, 4-1.4300	-	-
42	00.0047.3414	Flkopf-Schraube ISO 7045-M 6x20-1.4301-H	pan head screw ISO 7045-M 6x20-1.4301-H	-	-
43	00.0047.2055	Sechskantmutter ISO 4032-M 6-1.4301	hexagonnut ISO 4032-M 6-1.4301	-	-
44	33.2493.8100	Litze, grün/gelb PE Maschine Netzkl.	stranded wire, green/yellow PE machine power terminal	-	-
45	33.2384.4000	Leistungsrelais 30A nur Ausführung 200-240 V/6,0 kW, USA	power relay 30A only for model 200-240 V/6.0 kW, USA	-	-
46	33.2656.8000	Winkel, SSR-Relais	angle, SSR relay	-	-

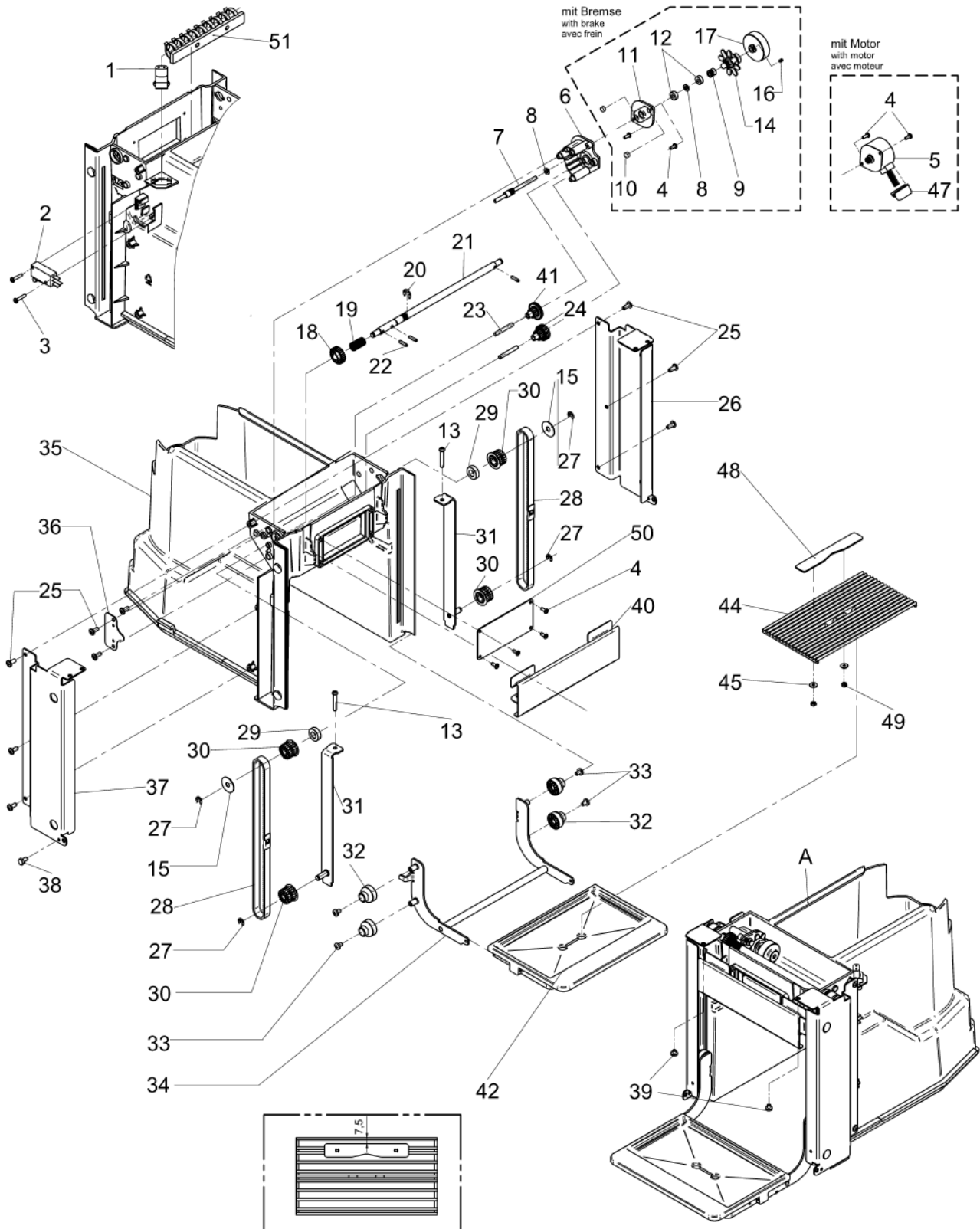


Pos.	Art.-Nr. Art. no.	Bezeichnung Tech-Info Service-Info	Designation Tech-Info Service-Info	EA1	EA2
1	33.2804.0000	HD-Brüher mit Verpackung	HD brewer with packaging	-	-
2	33.2920.4099	Pulvertrichter kpl.	powder funnel compl.	-	-
3	33.2920.5000	Kolben, unten HD, kpl.	piston, bottom HD, compl.	1	-
4	33.2920.6000	Siebträger, oben HD, kpl.	portafilter, top HD, compl.	1	-
5	33.2920.7000	Brühkammer HD, kpl.	brewing chamber HD, compl.	1	-
6	33.2920.8000	Ersatzteilset, Wasseranschluss	spare parts set, water connection	1	-
7	00.0047.3661	EJOT PT-Schraube KA 40x20-WN 1412-A2	EJOT PT-screw KA 40x20-WN 1412-A2	-	-
8	33.7006.0887	Federblech Pulvertrichter	spring plate powder funnel	-	-
9	33.7006.2082	Linsenkopfschraube DIN7500CE-M3x6-Z	oval head screw DIN7500CE-M3x6-Z	-	-
10	00.0047.0946	Zylinderschraube DIN 7984-M 5x10-A2	Cylinder head screw DIN 7984-M 5x10-A2	-	-
12	33.7006.0929	Bolzen, Verriegelung	bolt, lock	-	-
13	33.7006.0884	Halterplatte	support plate	-	-
15	33.0398.4000	O-Ring 5,28x1,78 EPDM SAG Nr. 062693, geschmiert mit Molykote 111, Mat.-Nr. 00 0048 7705	O-ring, 5.28x1.78 EPDM SAG Nr. 062693, lubricated with Molykote 111, material number 00 0048 7705	5	-
16	33.7006.0883	Abdeckung Anschluss Brühwasser	cover brewing water connection	-	-
24	33.7006.0893	O-Ring 34,29x5,33 MVQ	O-ring, 34.29x5.33 MVQ	5	-
25	33.7006.0923	Becherschraube M4x40 Inox	round head screw M4x40 Inox	-	-
26	33.7007.4486	Hülse Rückhaltevorrichtung	sleeve restraint device	2	-
27	00.0047.3326	Flkpf-Schraube ISO 7045-M 3x20-1.4301-H	pan head screw ISO 7045-M 3x20-1.4301-H	-	-
30	33.1290.8000	O-Ring 32,92x3,53	O-ring 32.92x3.53	5	-

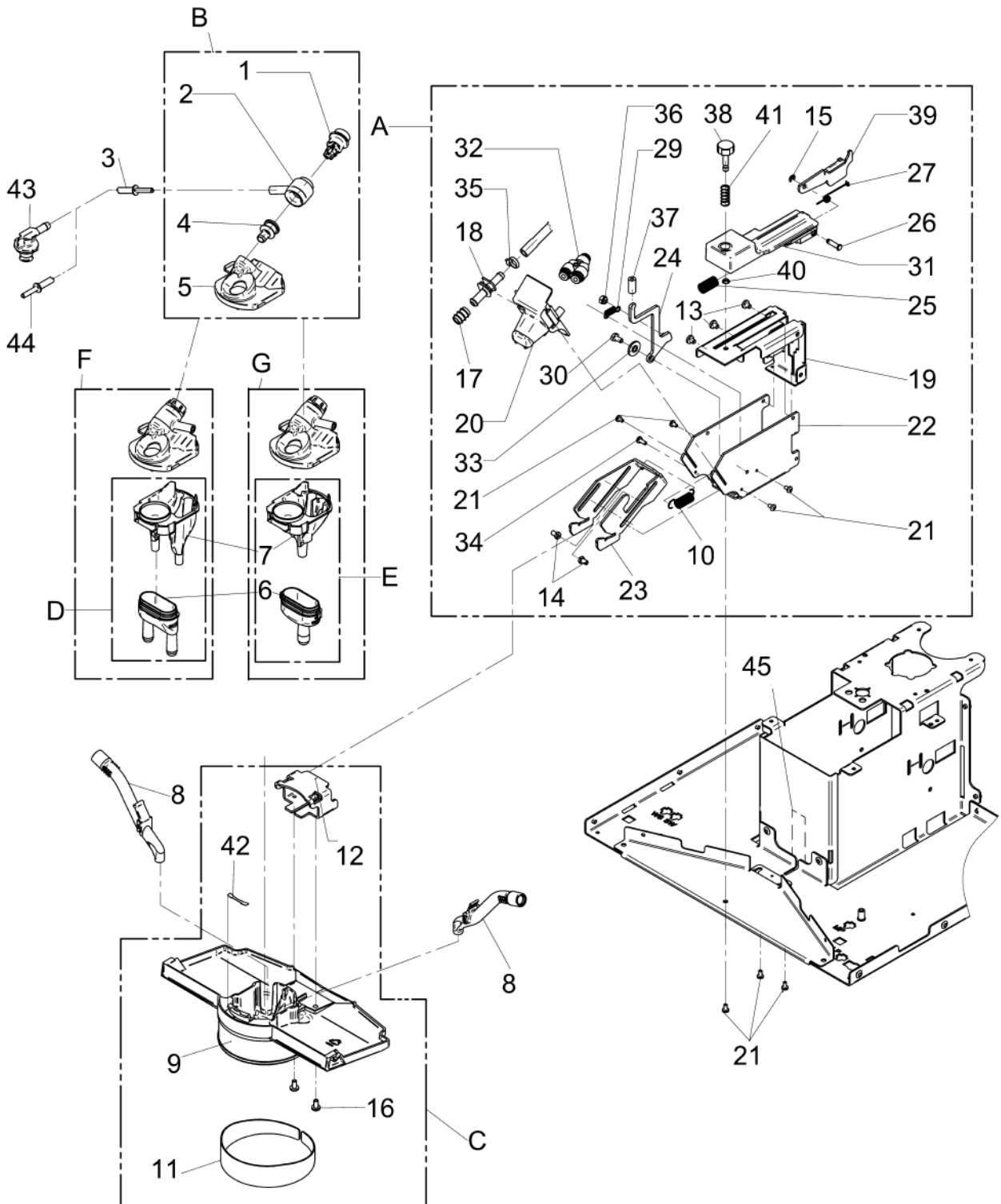
Pos.	Art.-Nr. Art. no.	Bezeichnung Tech-Info Service-Info	Designation Tech-Info Service-Info	EA1	EA2
31	33.1291.0000	Dichtring	sealing ring	5	-
36	00.0047.3655	EJOT PT-Schraube KA 40x12-WN 1412-A2	EJOT PT-screw KA 40x12-WN 1412-A2	-	-
37	33.7006.0877	Gleiter	glide	-	-
39	33.7006.0927	Spindelmutter Tr14x3 POM	spindle nut Tr14x3 POM	-	-
43	33.7006.0902	Feder Rückhaltevorrichtung	spring restraint device	1	-
44	33.7006.0916	Halterung Kolben unten kompl.	holder piston	-	-
45	33.2920.3000	Halterung Kolben, unten	holder piston, bottom	1	-
A	33.XXXX.XXXX	Hinweis: Brüher kompl.	Note: brewer compl.	-	-



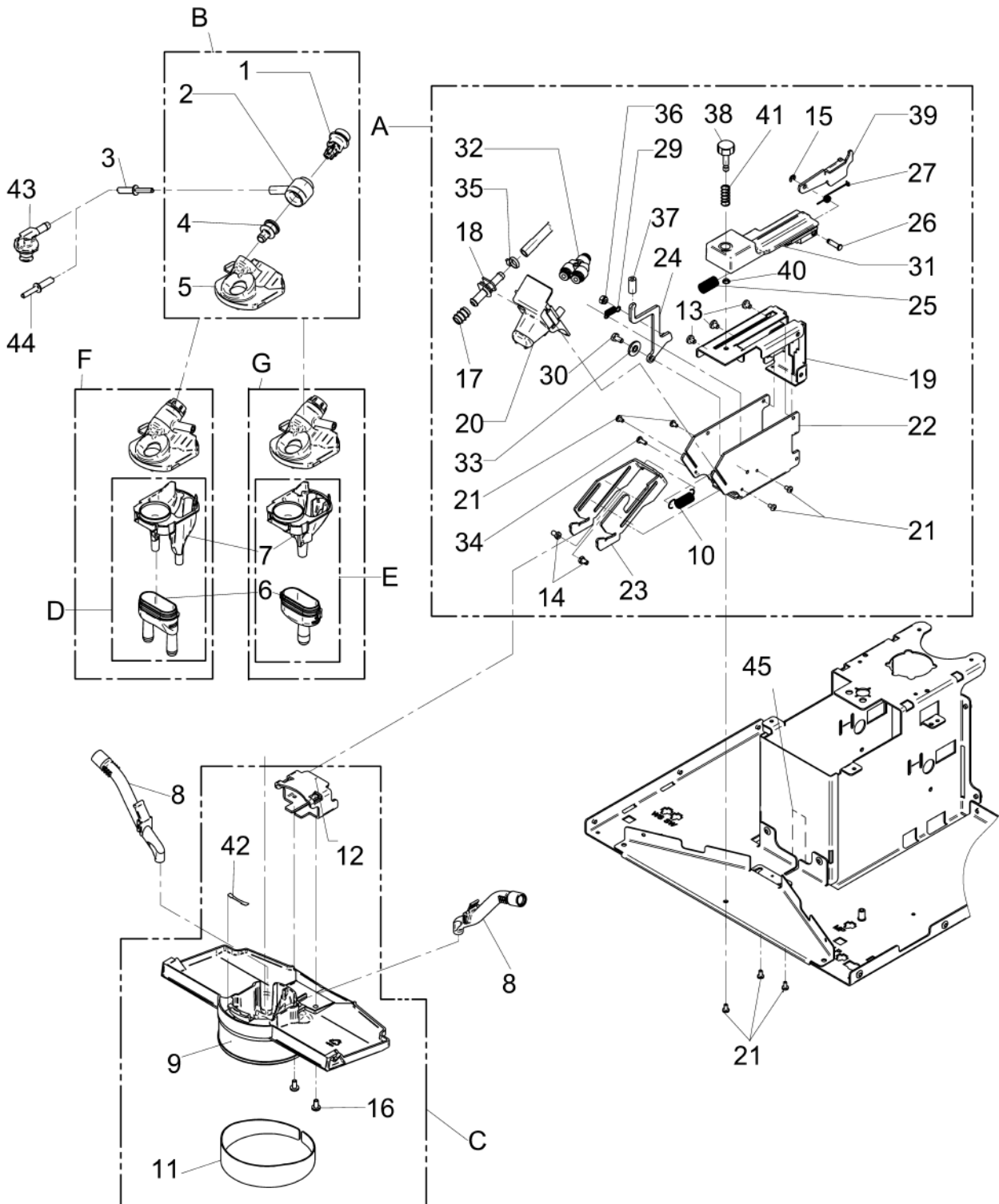
Pos.	Art.-Nr. Art. no.	Bezeichnung Tech-Info Service-Info	Designation Tech-Info Service-Info	EA1	EA2
1	33.4113.1000	Kabelsatz, Satzbehälter 8000S-FL	cablе set, grounds container 8000S-FL	-	-
2	33.2217.2000	Mikroschalter	micro switch	-	-
3	00.0047.3642	EJOT PT-Schraube KA 30x16-WN 1411-A2	EJOT PT-screw KA 30x16-WN 1411-A2	-	-
4	00.0047.3640	EJOT PT-Schraube KA 30x 8-WN 1411-A2	EJOT PT-screw KA 30x 8-WN 1411-A2	-	-
5	33.2658.3000	Kabelsatz, Tassentisch motorisch, Verlängerung	cablе set, cup table motorized, extension	-	-
5	33.2538.0100	Motor	MOTOR	-	-
13	00.0047.3653	EJOT PT-Schraube KA 40x10 WN 1411-A2	EJOT PT-screw KA 40x10 WN 1411-A2	-	-
16	00.0047.2353	Gewindestift ISO 7434-M 3x 6-1.4305	Threaded pin ISO 7434-M 3x 6-1.4305	-	-
19	33.0193.0000	Druckfeder Magnetbremse	pressure spring magnetic brake	-	-
20	00.0047.2246	Sicherungsscheibe DIN 6799- 6-1.4122	locking washer DIN 6799- 6-1.4122	-	-
25	00.0047.3653	EJOT PT-Schraube KA 40x10 WN 1411-A2	EJOT PT-screw KA 40x10 WN 1411-A2	-	-
32	33.2342.4100	Rolle geschmiert mit Mat.-Nr. 00 0048 7702, bei Innenverkleidung mit Motor	roller lubricated with material 00 0048 7702 for inner cover with motor	-	-
33	00.0047.3358	Flkpf-Schraube ISO 7045-M 4x 6-1.4301-H	pan head screw ISO 7045-M 4x 6-1.4301-H	-	-
38	00.0047.1407	Sechskant-Shr. ISO 4017-M 4x 8-1.4301	hexagon-screw ISO 4017-M 4x 8-1.4301	-	-
39	00.0047.3355	Flkpf-Schraube ISO 7045-M 4x 4-1.4301-H	pan head screw ISO 7045-M 4x 4-1.4301-H	-	-
40	33.2543.5000	Abdeckung Mitte	cover center	-	-
41	33.2559.0000	Zahnrad Z40-M0,5 Z15-M0,7, geschmiert mit Mat.-Nr. 00 0048 7702	gear Z40-M0,5 Z15-M0,7, lubricated with material 00 0048 7702	-	-
42	33.2904.3099	Tropfschale klein, kpl.	drip tray small, compl.	-	-



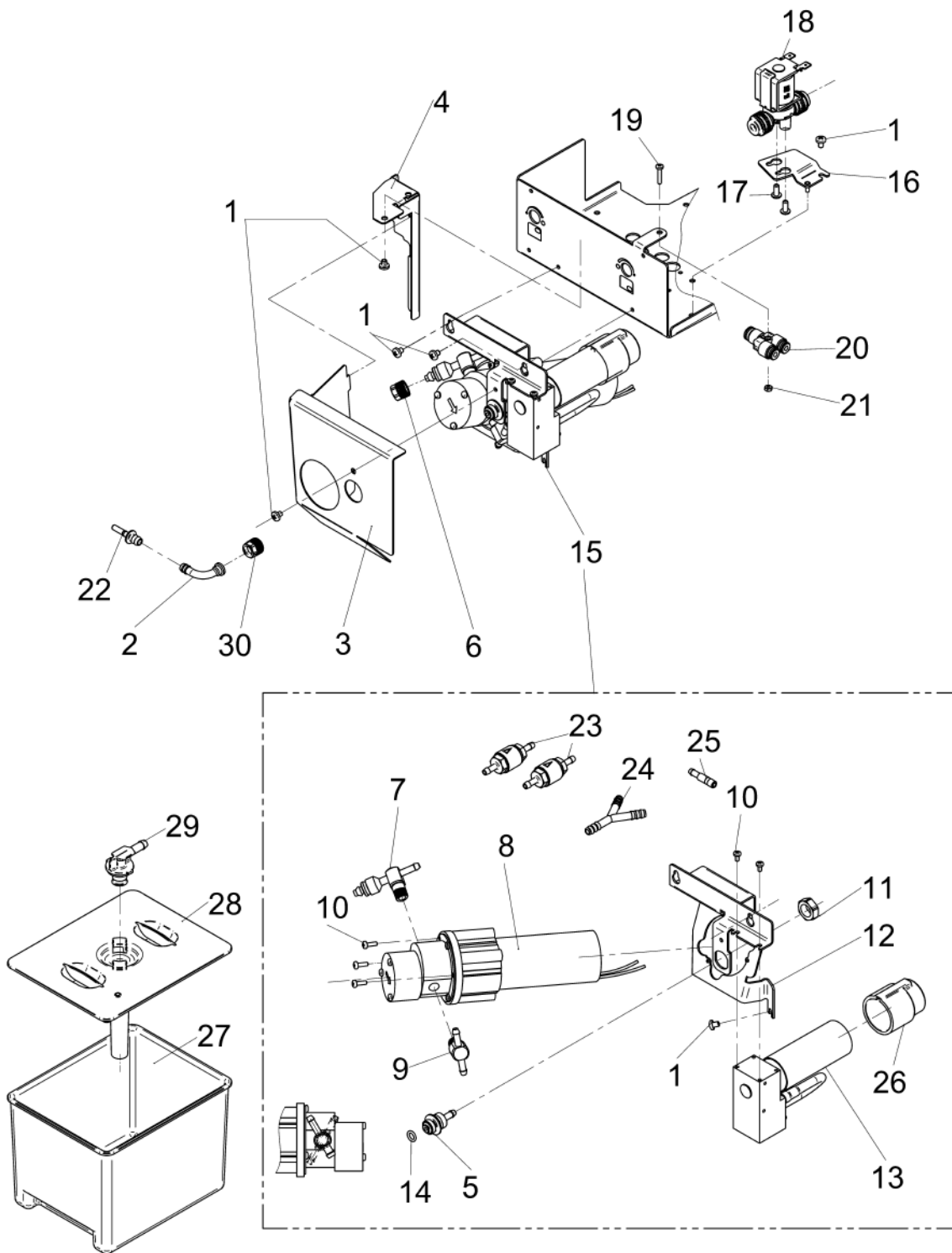
Pos.	Art.-Nr. Art. no.	Bezeichnung Tech-Info Service-Info	Designation Tech-Info Service-Info	EA1	EA2
44	33.2537.1000	Tropfgitter NG klein	drip grid NG small	-	-
45	00.0047.2193	Scheibe ISO 7093-1-3-200HV-1.4300	washer ISO 7093-1-3-200HV-1.4300	-	-
47	33.2626.5000	Kabeltülle	cablE sleeve	-	-
48	33.2695.3000	Tassenanschlag Doppel	cup stop double	-	-
49	00.0047.2046	Sechskantmutter ISO 4032-M 3-1.4301	hexagonnut ISO 4032-M 3-1.4301	-	-
50	33.4030.1000	Blech, Abdeckung	plate, cover	-	-
51	33.2364.0000	Kabelkanal, 120 mm, 25x22mm 120 mm, D20+AA22A20: A12:D62 geklebt	cablE duct, 120 mm, 25x22 mm 120 mm, D20+AA22A20: A12:D62 glued	-	-
A	33.2878.2099	Innenverkleidung mit Motor, kpl.	inner cover with motor, compl.	-	-
A	33.2789.2099	Innenverkleidung kpl.	inner cover compl.	-	-



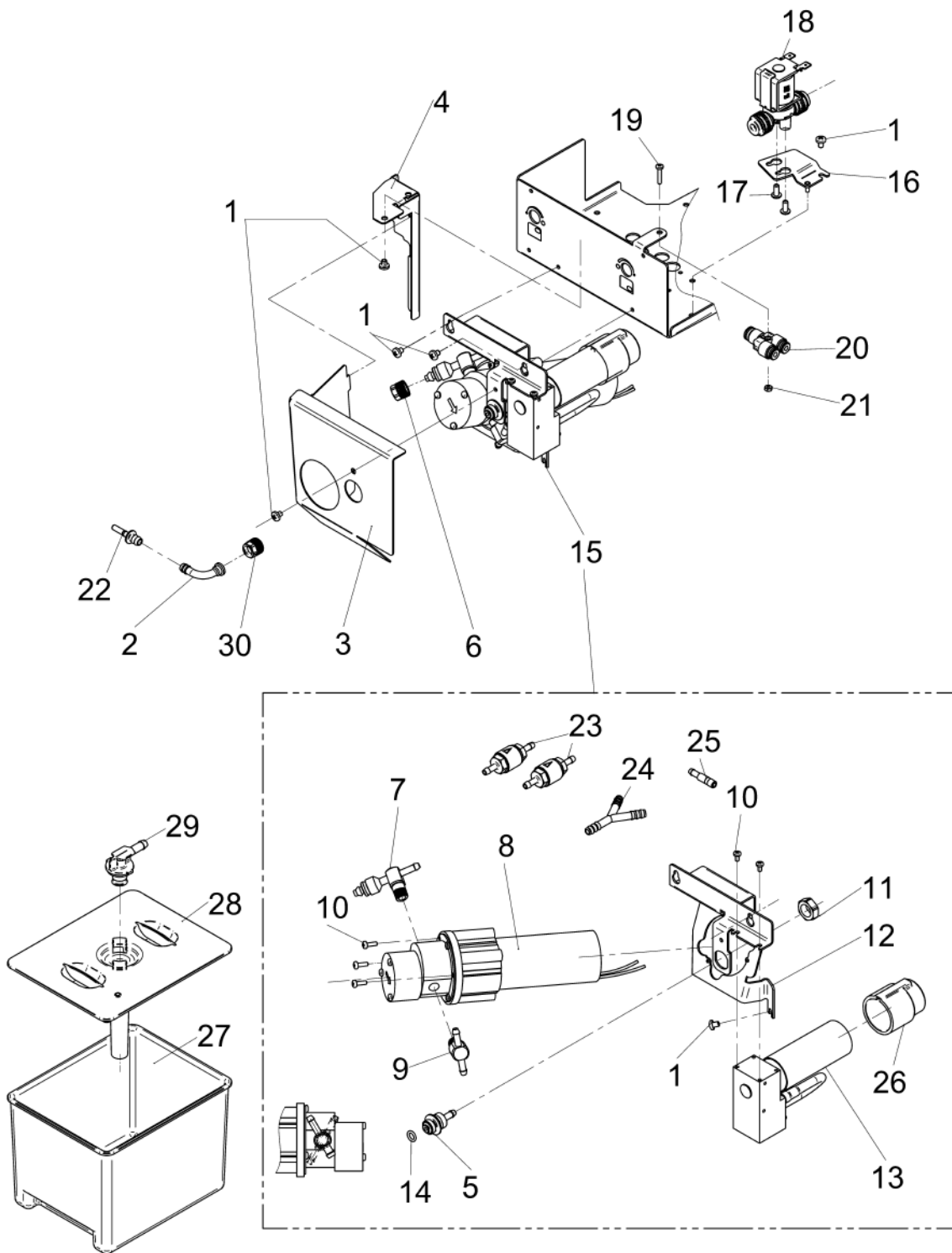
Pos.	Art.-Nr. Art. no.	Bezeichnung Tech-Info Service-Info	Designation Tech-Info Service-Info	EA1	EA2
1	33.2545.4000	Dampfdüse	steam nozzle	-	-
1	33.2545.4100	Dampfdüse Active Milk	steam nozzle Active Milk	-	-
3	33.1384.3100	Düse 2,00 mm, blau	nozzle 2.00 mm, blue	-	-
8	33.2544.9000	Formteil, Auslauf, Mixer	formed part, spout, mixer	2	-
10	33.4030.7000	Zugfeder	pull-spring	-	-
13	00.0047.3356	Flkpf-Schraube ISO 7045-M 4x 5-1.4301-H	pan head screw ISO 7045-M 4x 5-1.4301-H	-	-
14	33.2625.9000	Buchse	bushing	-	-
15	00.0047.2242	Sicherungsscheibe DIN 6799- 3, 2-1.4122	locking washer DIN 6799- 3,2-1.4122	-	-
16	00.0047.3361	Flkpf-Schraube ISO 7045-M 4x 8-1.4301-H	pan head screw ISO 7045-M 4x 8-1.4301-H	-	-
17	33.2545.5000	Formdichtung Dampfanschluss	gasket steam connection	2	-
18	33.2553.6000	Anschluss Dampf-NG	connection steam NG	-	-
20	33.2548.4000	Uebergabestueck_Kaffee Kaffee	plug coffee	-	-
21	00.0047.3313	Flkpf-Schraube ISO 7045-M 3x 5-1.4301-H	pan head screw ISO 7045-M 3x 5-1.4301-H	-	-
25	33.0193.3000	Feder	spring	-	-
29	33.2616.7000	Zugfeder	pull-spring	-	-
30	00.0047.1407	Sechskant-Shr. ISO 4017-M 4x 8-1.4301	hexagon-screw ISO 4017-M 4x 8-1.4301	-	-
32	33.2266.6000	Steckanschluss Y 4-4-4	plug-in connection Y 4-4-4	-	-
33	33.1310.2000	Hülse	sleeve	-	-
34	00.0047.3318	Flkpf-Schraube ISO 7045-M 3x 8-1.4301-H	pan head screw ISO 7045-M 3x 8-1.4301-H	-	-



Pos.	Art.-Nr. Art. no.	Bezeichnung Tech-Info Service-Info	Designation Tech-Info Service-Info	EA1	EA2
35	33.0649.3000	Kabelbinder	cable clip	-	-
40	33.2296.3000	Kralle, 4 mm	claw, 4 mm	-	-
41	33.1536.3000	Feder	spring	-	-
43	33.4073.5000	Schlauchadapter_Plug_and_Clean _2K	Hose_Connector_Plug_and_Clean _2K	-	-
44	33.2046.0100	Düse, 3,0 mm 3,00 mm, beige	nozzle, 3.0 mm 3.00 mm, beige	-	-
A	33.2865.3099	Brühersicherung kpl.	brewer release compl.	-	-
B	33.2878.8099	Auslauf Oberteil	spout upper part	1	-
B	33.2874.3099	Auslauf, Oberteil Active Milk	spout, upper part Active Milk	1	-
C	33.2878.7099	Verkleidung, Auslauf kpl.	cover, spout compl.	-	-
D	33.2889.6000	Doppelauslauf	double spout	2	-
E	33.2889.5000	Auslauf, einzel	spout, single	2	-
F	33.2896.3000	Doppelauslauf Active Milk, kpl.	double spout Active Milk, compl.	-	-
F	33.2896.1000	Doppelauslauf kpl.	double spout compl.	-	-
G	33.2896.0000	Auslauf, einzel kpl.	spout, single compl.	-	-
G	33.2896.2000	Auslauf, einzel Active Milk, kpl.	spout, single Active Milk, compl.	-	-

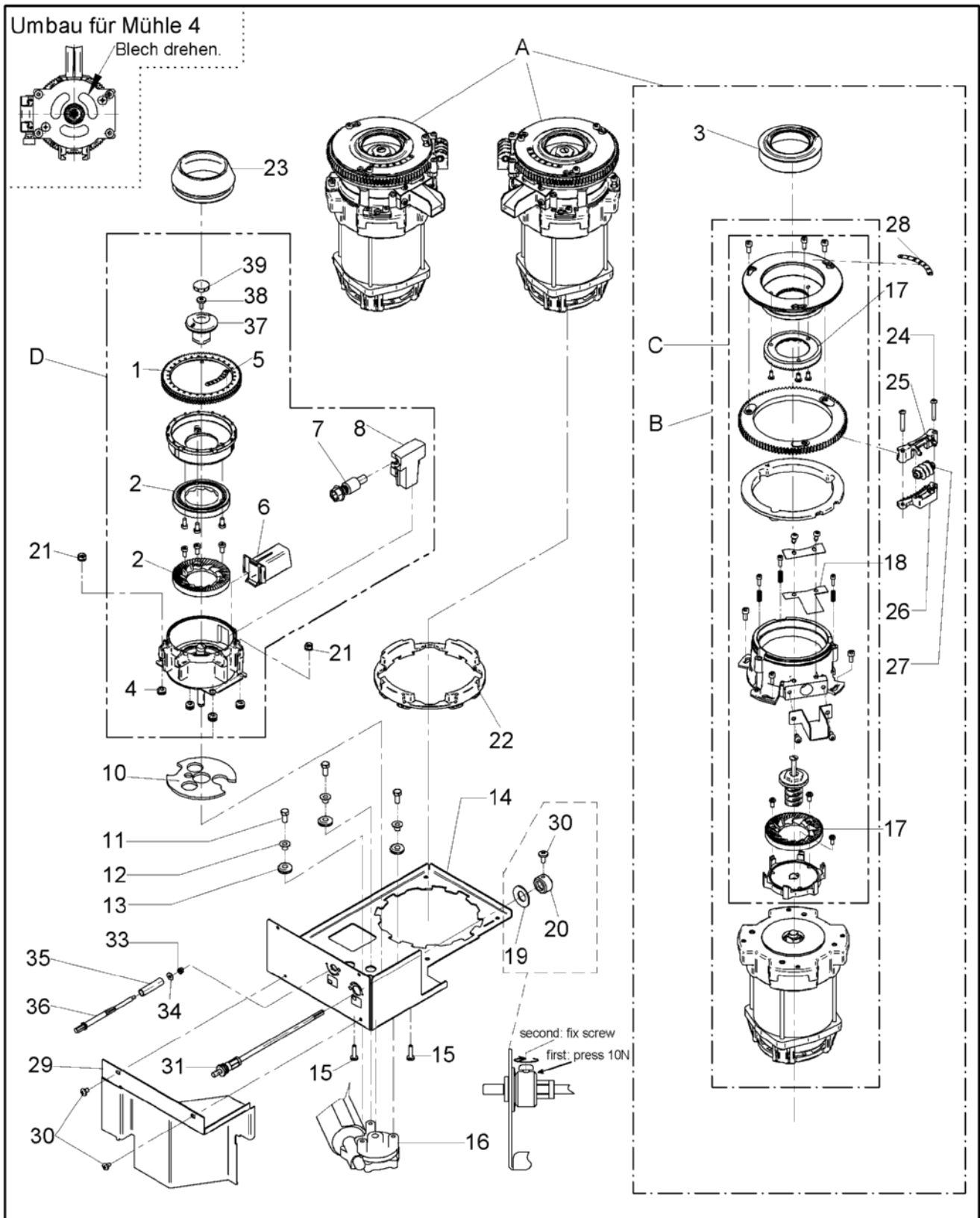


Pos.	Art.-Nr. Art. no.	Bezeichnung Tech-Info Service-Info	Designation Tech-Info Service-Info	EA1	EA2
1	00.0047.3356	Flkopf-Schraube ISO 7045-M 4x 5-1.4301-H	pan head screw ISO 7045-M 4x 5-1.4301-H	-	-
2	33.4013.4000	Nippel Blende 1,2 mm	plug orifice 1.2 mm	-	-
5	33.2623.2000	Befestigung	fastening	-	-
6	33.4012.3000	Überwurfmutter M12x1	union nut M12x1	-	-
7	33.2910.6000	Nippel, Anschluss, kpl. Zahnradpumpe, geklebt mit Mat.-Nr. 00 0048 7704	plug, connection, compl. gear wheel pump, glued with material number 00 0048 7704	-	-
8	33.2562.4000	Zahnradpumpe	gear wheel pump	-	-
9	33.2854.6100	Nippel, Anschluss, kpl. Zahnradpumpe, geklebt mit Mat.-Nr. 00 0048 7704	plug, connection, compl. gear wheel pump, glued with material number 00 0048 7704	-	-
10	00.0047.3318	Flkopf-Schraube ISO 7045-M 3x 8-1.4301-H	pan head screw ISO 7045-M 3x 8-1.4301-H	-	-
11	33.0227.7000	Sechskantmutter	hexagon nut	-	-
13	33.2595.0399	Luftpumpe Blende 0,3 mm	air pump orifice 0.3 mm	-	-
14	33.0397.0000	O-Ring 6,07x1,78 EPDM	O-ring, 6.07x1.78 EPDM	-	-
15	33.2873.8099	Einsatz Active Milk, inkl. Pos. 6, kpl.	inner part Active Milk, including item 6, compl.	-	-
17	00.0047.3653	EJOT PT-Schraube KA 40x10 WN 1411-A2	EJOT PT-screw KA 40x10 WN 1411-A2	-	-
18	33.2500.1000	Ventil 2/2 NW2,5 Hub 0,75, gr. Spule Ventil 16, siehe Zeichnung Ventile	valve 2/2 i.d.2.5 stroke 0.75 large coil valve 16, see drawing valves	-	-
19	00.0047.3324	Flkopf-Schraube ISO 7045-M 3x18-1.4301-H	pan head screw ISO 7045-M 3x18-1.4301-H	-	-
20	33.2293.4000	Steckanschluss Y 6-6-4	plug-in connection Y 6-6-4	-	-
21	00.0047.2046	Sechskantmutter ISO 4032-M 3-1.4301	hexagonnut ISO 4032-M 3-1.4301	-	-
22	33.2614.9000	Düse, 1,5 mm	nozzle, 1.5	-	-
23	33.2854.8000	Rückschlagventil	check valve	-	-

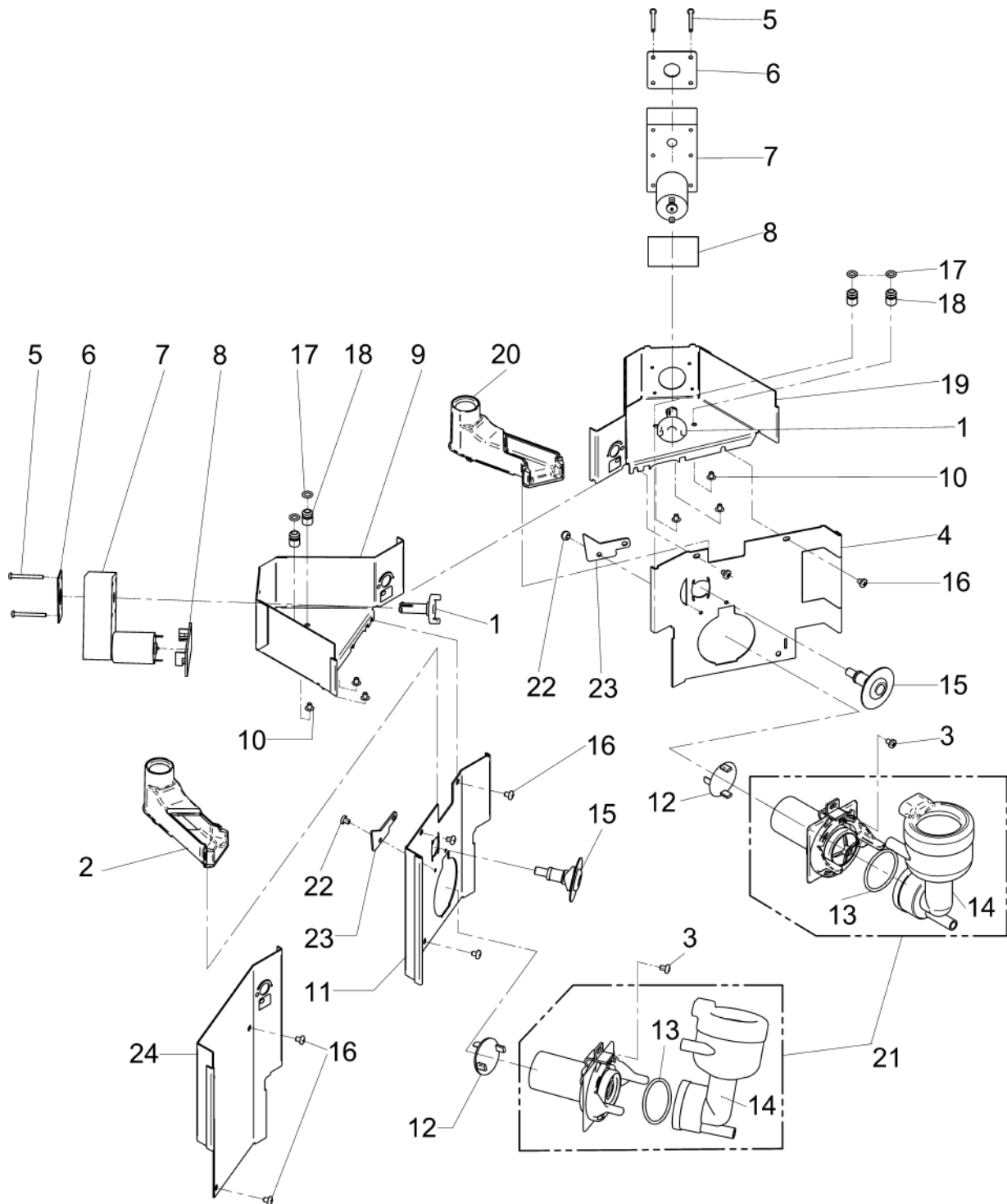


Pos.	Art.-Nr. Art. no.	Bezeichnung Tech-Info Service-Info	Designation Tech-Info Service-Info	EA1	EA2
24	33.2169.1000	Schlauchverbinder Y 4 mm	hose connector 4 mm	-	-
25	33.2410.4000	Nippel, Schlauch	plug, hose	-	-
26	33.2626.4000	Tülle	spout	-	-
27	33.2593.6000	Reinigungsbehälter Ausführung Active Milk Power (AMP)	cleaning container Active Milk Power (AMP) model	-	-
28	33.2593.7000	Deckel, Reinigungsbehälter Reinigungsbehälter, Ausführung Active Milk Power (AMP)	lid, cleaning container cleaning container, Active Milk Power (AMP) model	-	-
29	33.4073.5000	Schlauchadapter_Plug_and_Clean _2K	Hose_Connector_Plug_and_Clean _2K	-	-
30	33.4012.3000	Überwurfmutter M12x1	union nut M12x1	-	-

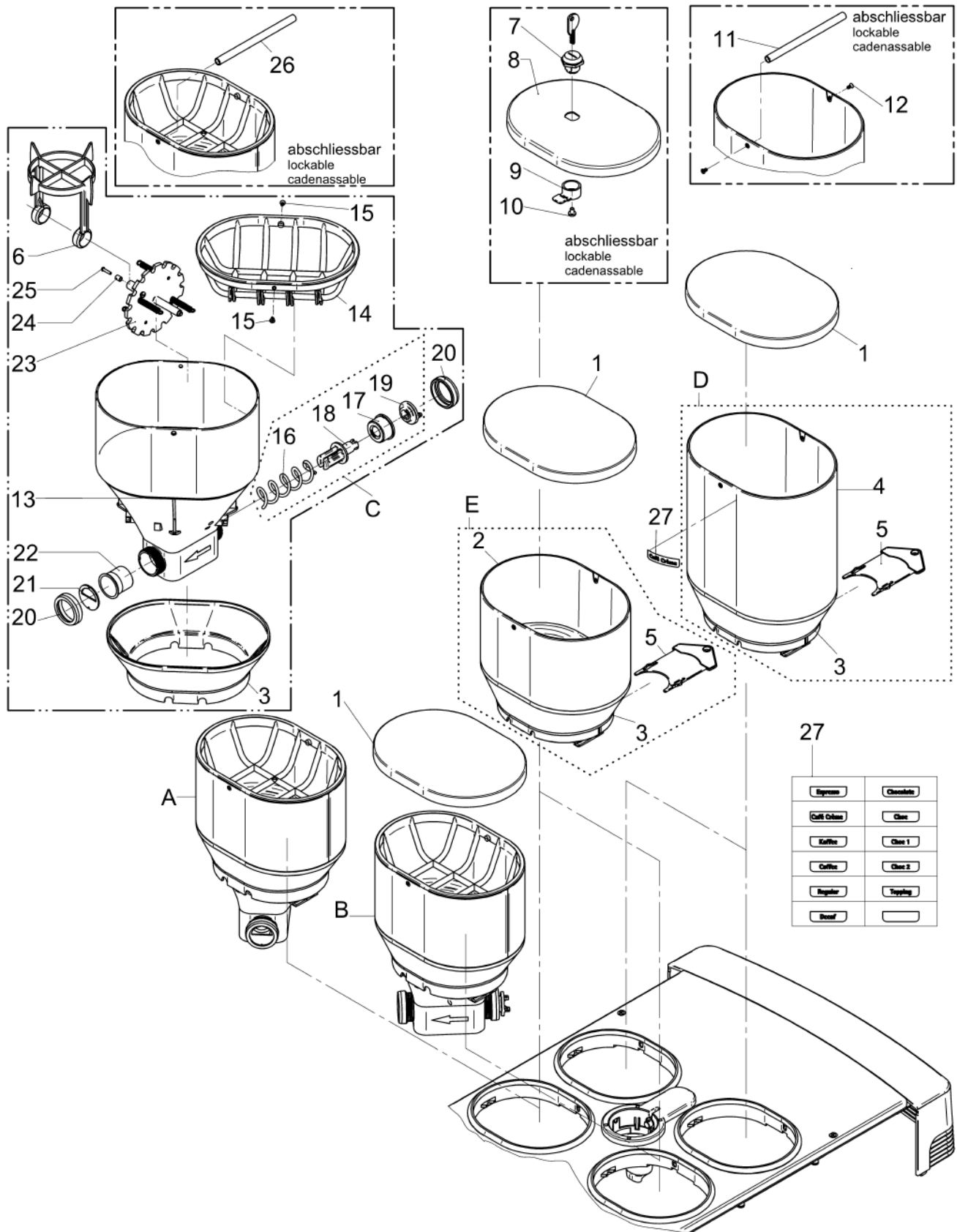
Pos.	Art.-Nr. Art. no.	Bezeichnung Tech-Info Service-Info	Designation Tech-Info Service-Info	EA1	EA2
2	33.7007.1412	Ersatzmahlscheibenset	replacement grinder disc set	-	-
3	33.2566.2000	Reduzierring, HD	reducing bush, HD	1	-
4	33.1499.9000	Durchführungstülle	rubber funnel	-	-
5	33.2316.6000	Klebeschild, Mahlgrad	adhesive label, grinding degree	-	-
8	33.7006.2425	Wellenlager	shaft bearing	-	-
10	33.2477.2000	Schalldämmung, Mühle	sound insulation, grinder	-	-
11	00.0047.1807	6KT-SHR DIN 7500-M 5x16-St-A2L m.Mikrov.	hex screw DIN 7500-M 5x16-St-A2L m.Mikro	-	-
12	33.2474.3000	Hülse	sleeve	-	-
13	33.2473.9000	Durchführungstülle	rubber funnel	-	-
15	00.0047.3365	Flkupf-Schraube ISO 7045-M 4x16-1.4301-H	pan head screw ISO 7045-M 4x16-1.4301-H	-	-
16	33.2253.2000	Mühlenmotor 24 V DC	grinder motor 24 V DC	-	-
17	33.2925.8000	Ersatzmahlscheibenset 01 HD-Mühle	replacement grinder disc set 01 HD grinder	2	-
18	33.7006.0812	Federblech	spring plate	-	-
19	33.4013.2000	Scheibe, Tellerfeder	washer, plate spring	-	-
20	33.4013.3000	Einstellring, Mahlgrad	adjusting ring, grinding degree	-	-
21	33.2509.0000	Schnellbefestigungsmutter M4	quick-connect nut M4	-	-
22	33.7006.0806	Dämpfungselement	damping element	-	-
23	33.2566.3000	Reduzierring, HD	reducing bush, HD	1	-
24	00.0047.3652	EJOT PT-Schraube KA 40x25-WN 1412-A2	EJOT PT-screw KA 40x25-WN 1412-A2	-	-



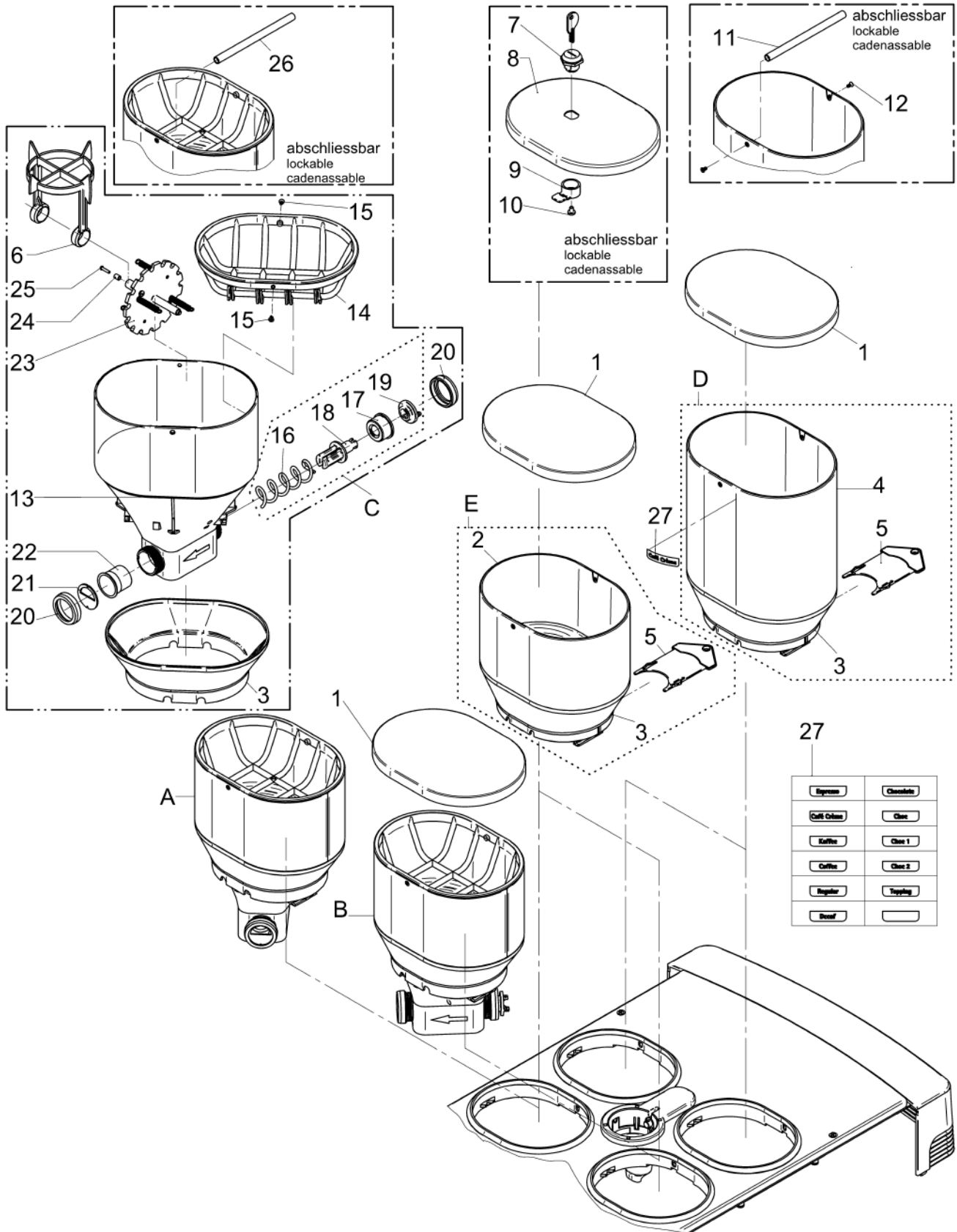
Pos.	Art.-Nr. Art. no.	Bezeichnung Tech-Info Service-Info	Designation Tech-Info Service-Info	EA1	EA2
25	33.7006.0798	Verstärkung, oben	reinforcement, top	-	-
26	33.7006.0797	Verstärkung, unten	reinforcement, bottom	-	-
27	33.7006.0799	Schneckenwelle	worm shaft	-	-
28	33.2613.6000	Klebeschild Mahlgrad	adhesive labels grinding degree	-	-
30	00.0047.3358	Flkpf-Schraube ISO 7045-M 4x 6-1.4301-H	pan head screw ISO 7045-M 4x 6-1.4301-H	-	-
31	33.2593.1000	Welle, flexibel, kurz Mühle 1 und 2 (abhängig von Anzahl Mixer)	shaft, flexible, short grinder 1 and 2 (depends on number of mixers)	-	-
31	33.2617.6000	Welle, flexibel Mühle 3	shaft, flexible grinder 3	-	-
31	33.2593.2000	Welle, flexibel, lang Mühle 1 und 2 (abhängig von Anzahl Mixer)	shaft, flexible, long grinder 1 and 2 (depends on number of mixers)	-	-
33	00.0047.2097	Sechskantmutter ISO 10511-M 3-1.4301	hexagonnut ISO 10511-M 3-1.4301	-	-
34	00.0047.2193	Scheibe ISO 7093-1-3-200HV-1.4300	washer ISO 7093-1-3-200HV-1.4300	-	-
35	00.0048.0047	Schlauch 6,0x1,0 PTFE	tube 6,0x1,0 PTFE	-	-
36	33.2621.5000	Welle, Mahlgradeinstellung, Mühle 4	shaft, grinding degree sett., grinder 4	-	-
37	33.7007.0628	Fingerschutz Mühle	finger guard grinder	-	-
38	00.0047.3363	Flkpf-Schraube ISO 7045-M 4x10-1.4301-H	pan head screw ISO 7045-M 4x10-1.4301-H	-	-
39	33.7007.0629	Deckel, Fingerschutz Fingerschutz, Mühle	lid, finger guard finger guard, grinder	-	-
A	33.2879.8099	HD-Mühle, rechts Standard, Creme Mühle	HD grinder, right standard, Creme grinder	-	-
A	33.2879.7099	HD-Mühle, links Standard, Espresso Mühle	HD grinder, left standard, espresso grinder	-	-
D	33.7996.8401	Mühle 43, DC, NG	grinder 43, DC, NG	-	-



Pos.	Art.-Nr. Art. no.	Bezeichnung Tech-Info Service-Info	Designation Tech-Info Service-Info	EA1	EA2
1	33.2321.5000	Mitnehmer Antrieb	pusher drive	-	-
3	00.0047.3358	Flkpf-Schraube ISO 7045-M 4x 6-1.4301-H	pan head screw ISO 7045-M 4x 6-1.4301-H	-	-
5	00.0047.3330	Flkpf-Schraube ISO 7045-M 3x30-1.4301-H	pan head screw ISO 7045-M 3x30-1.4301-H	-	-
7	33.2367.6000	Motor 24V 160 1/min	motor 24V 160 1/min	-	-
8	33.2592.1000	Entstörung Produktmotor	interference suppression product motor	-	-
12	33.2465.1100	Entstörung Mixermotor	interference suppression mixer motor	-	-
13	33.2381.7000	G-Ring 37,60x2,69 MVQ	O-ring, 37.60x2.69 MVQ	-	-
14	33.2318.0000	Mixerbecher kpl.	mixer bowl compl.	-	-
15	33.2269.1000	Schlauchanschluss compl.	hose connector compl.	-	-
16	00.0047.3358	Flkpf-Schraube ISO 7045-M 4x 6-1.4301-H	pan head screw ISO 7045-M 4x 6-1.4301-H	-	-
17	33.0397.0000	O-Ring 6,07x1,78 EPDM	O-ring, 6.07x1.78 EPDM	-	-
21	33.2623.3000	Mixer kpl.	MIXER compl.	-	-
22	00.0047.3356	Flkpf-Schraube ISO 7045-M 4x 5-1.4301-H	pan head screw ISO 7045-M 4x 5-1.4301-H	-	-



Pos.	Art.-Nr. Art. no.	Bezeichnung Tech-Info Service-Info	Designation Tech-Info Service-Info	EA1	EA2
1	33.2867.2099	Behälterdeckel abschließbar, kpl.	hopper lid lockable, compl.	-	-
1	33.2542.1000	Deckel Produktbehälter	lid product hopper	-	-
2	33.2559.8000	Bohnenbehälter klein	bean hopper small	-	-
5	33.2351.2000	Verriegelung	lock	-	-
6	33.2369.8000	Rüttler Choc-Dispenser	separator Choc dispenser	-	-
7	33.2071.8000	Zylinderschloss	cylinder lock	-	-
8	33.2597.1000	Deckel Produktbehälter, abschließbar	lid product hopper, lockable	-	-
9	33.2560.8000	Schließhebel	locking lever	-	-
10	00.0047.3358	Flkupf-Schraube ISO 7045-M 4x 6-1.4301-H	pan head screw ISO 7045-M 4x 6-1.4301-H	-	-
11	33.2560.4000	Bolzen, Verriegelung	bolt, lock	-	-
12	00.0047.3105	Senkschraube ISO 7046-2-M 3x 6-1.4301-H	counter sunk screw ISO 7046-2-M 3x 6-1.4	-	-
14	33.2557.9000	Eingreifschutz	intervening protection	-	-
15	00.0047.3657	EJOT PT-Schraube KA 30x 6-WN 1413-A2	EJOT PT-screw KA 30x 6-WN 1413-A2	-	-
20	33.1325.0000	Mutter	nut	-	-
21	33.2293.7000	Blech	plate	-	-
22	33.2316.4000	Hülse	sleeve	-	-
24	33.2296.0000	Distanzhülse	distance sleeve	-	-
25	00.0047.3626	EJOT PT-Schraube KA 25x12-WN 1412-1.4567	EJOT PT-screw KA 25x12-WN 1412-1.4567	-	-
26	33.2560.1000	Bolzen, Verriegelung	bolt, lock	-	-



Espresso	Chocolate
Caffè Crema	Cheer
Kaffee	Cheer 1
Coffee	Cheer 2
Regulator	Topping
Stauf	

Pos.	Art.-Nr. Art. no.	Bezeichnung Tech-Info Service-Info	Designation Tech-Info Service-Info	EA1	EA2
27	33.2624.7000	Schilder Beschriftung, Produktbehälter	labels labels, product hopper	-	-
A	33.2860.6099	Portionierer, links	portioner, left	-	-
B	33.2860.7099	Portionierer, rechts	portioner, right	-	-
C	33.2824.4099	Schnecke, kpl. Choc	worm, compl. Choc	-	-
D	33.2890.2099	Bohnenbehälter groß	bean hopper large	-	-
E	33.2890.3099	Bohnenbehälter klein	bean hopper small	-	-

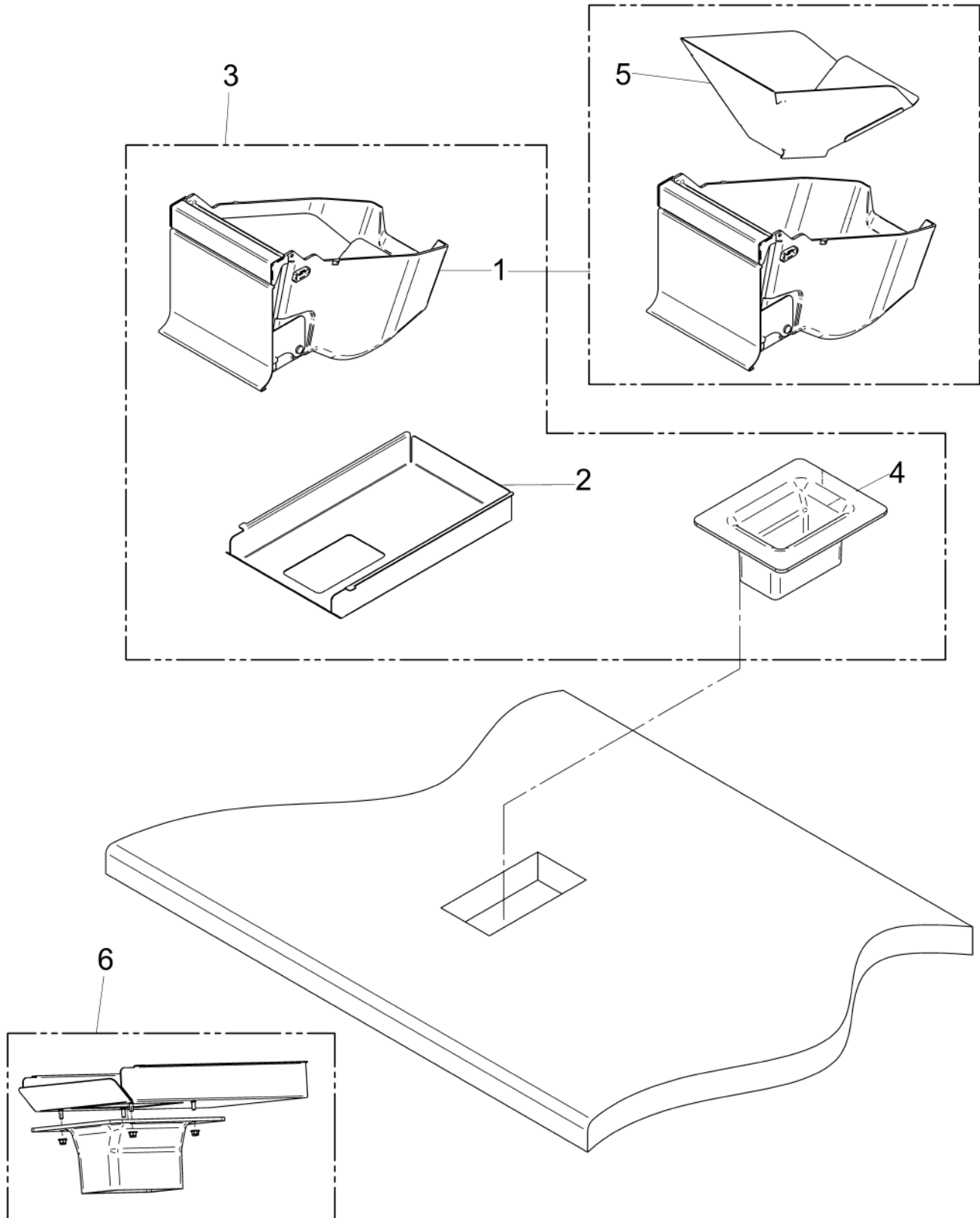
04	10280000	Schraube	
05	0330M2000	Polster	
06	10280000	Polster	Blattfederbolzen
07	03290000	Schrauber	
08	000023461	Flügel-Schraube ISO 7045-M 4x 6-14x1,4	
09	10280000	Bedienknopf	
10	032972000	Griffschraube	
11	10280000	Unterplatte	
12	03291000	Griffschraube	
13	000023797	Schraube ISO 7045-14-2000M-14M1	
14	000023368	Flügel-Schraube ISO 7045-M 4x 6-14x1,4	
15	10280000	Polster, oben	
16	032902000	Polster, oben	rot
17	10280000	Polster, oben	rot
18	032903000	Polster, oben	blau
19	10280000	Polster, oben	blau
20	032902000	Polster, oben	blau
21	10280000	Polster, oben	blau
22	032902000	Polster, oben	blau
23	10280000	Polster, oben	blau
24	032902000	Polster, oben	blau
25	10280000	Polster, oben	blau
26	032902000	Polster, oben	blau
27	032902000	Polster, oben	blau
28	032902000	Polster, oben	blau
29	032902000	Polster, oben	blau
30	032902000	Polster, oben	blau
31	032902000	Polster, oben	blau
32	032902000	Polster, oben	blau
33	032902000	Polster, oben	blau
34	032902000	Polster, oben	blau
35	032902000	Polster, oben	blau
36	032902000	Polster, oben	blau
37	032902000	Polster, oben	blau
38	032902000	Polster, oben	blau
39	032902000	Polster, oben	blau
40	032902000	Polster, oben	blau
41	032902000	Polster, oben	blau
42	032902000	Polster, oben	blau
43	032902000	Polster, oben	blau
44	032902000	Polster, oben	blau

Pos.	Art.-Nr. Art. no.	Bezeichnung Tech-Info Service-Info	Designation Tech-Info Service-Info	EA1	EA2
1	33.2492.0199	Bedienpanel, programmiert	control panel, programmed	-	-
3	00.0047.3627	EJOT PT-Schraube KA 40x 8-WN 1412-A2	EJOT PT-screw KA 40x 8-WN 1412-A2	-	-
4	00.0047.2197	Scheibe ISO 7093-1-4-200HV-1.4301	washer ISO 7093-1-4-200HV-1.4301	-	-
5	00.0047.3640	EJOT PT-Schraube KA 30x 8-WN 1411-A2	EJOT PT-screw KA 30x 8-WN 1411-A2	-	-
6	33.2538.6000	Buchse, Bedienpanel Kontaktstellen geschmiert, mit Mat.-Nr. 00 0048 7702	bushing, control panel contact points lubricated with material 00 0048 7702	-	-
7	00.0047.3358	Flkpf-Schraube ISO 7045-M 4x 6-1.4301-H	pan head screw ISO 7045-M 4x 6-1.4301-H	-	-
8	33.2538.9000	Kurvenscheibe	cam disc	-	-
9	33.2538.7000	Scheibe Kontaktstellen geschmiert, mit Mat.-Nr. 00 0048 7702	washer contact points lubricated with material 00 0048 7702	-	-
11	00.0047.3363	Flkpf-Schraube ISO 7045-M 4x10-1.4301-H	pan head screw ISO 7045-M 4x10-1.4301-H	-	-
12	33.2539.0000	Buchse Bedienpanel	bushing control panel	-	-
13	33.2547.7000	Hebel, Bedienblende	lever, operating panel	-	-
14	33.2593.9000	Bolzen geschmiert mit Mat.-Nr. 00.0048.7702	bolt lubricated with material number 00 0048 7702	-	-
15	33.2597.2000	Zugfeder, Bedienpanel Einbaulage beachten! Kontaktstellen geschmiert, mit Mat.-Nr. 00 0048 7702	pull-spring, control panel check installed orientation. contact points lubricated with material 00 0048 7702	-	-
17	33.2547.9000	Buchse Bedienpanel	bushing control panel	-	-
18	00.0047.3358	Flkpf-Schraube ISO 7045-M 4x 6-1.4301-H eingeklebt mit Mat.-Nr. 00 0048 4906	pan head screw ISO 7045-M 4x 6-1.4301-H glued-in with material number 00 0048 4906	-	-
21	33.2607.1000	Scheibe	washer	-	-
22	00.0047.3625	EJOT PT-Schraube KA 3.0x 6-WN 1412-A2	EJOT PT-screw KA 3.0x 6-WN 1412-A2	-	-
23	33.2590.5000	Zugentlastungsschelle	strain relief clamp	-	-

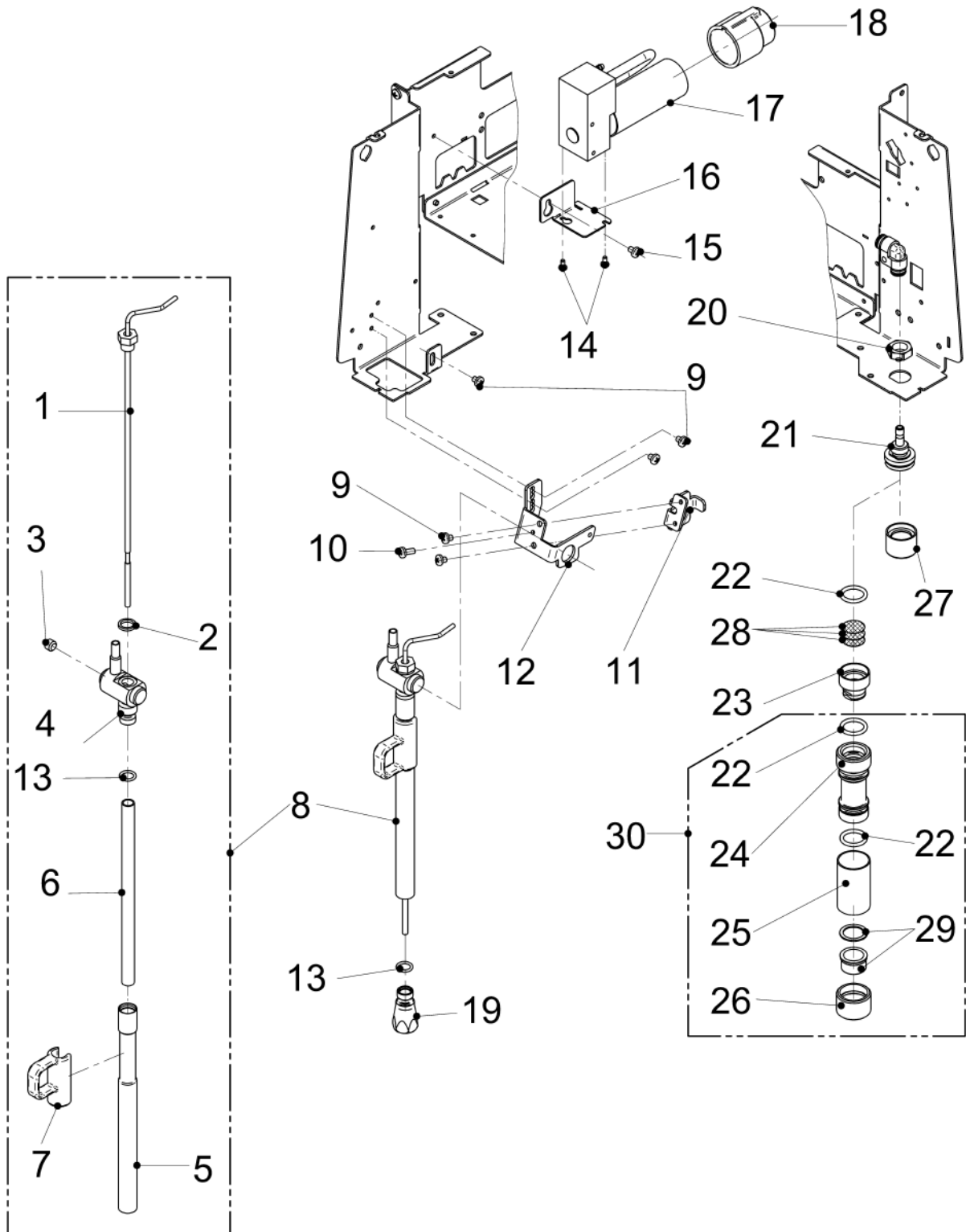
Pos.	Art.-Nr. Art. no.	Bezeichnung Tech-Info Service-Info	Designation Tech-Info Service-Info	EA1	EA2
24	00.0047.3312	Flkpf-Schraube ISO 7045-M 3x 4-A2-H	pan head screw ISO 7045-M 3x 4-A2-H	-	-
25	33.2656.4000	Federblech Bedienpanel	spring plate control panel	-	-
26	33.2656.2000	Clips	CLIPS	-	-
27	33.XXXX.XXXX	Hinweis: Einschubstreifen HW in Bedienpanel beinhaltet	Note: Module strip hot water contained in front panel	-	-
28	33.XXXX.XXXX	Hinweis: Einschubstreifen Milch in Bedienpanel beinhaltet	Note: Module strip Milk contained in front panel	-	-
29	33.2595.2000	Einschubstreifen Dampf	insert strips steam	-	-
30	33.2492.6000	Micro-SD-Karte, mit Adapter	micro SD card with adapter	-	-
31	33.4008.6000	Abdeckung abschließbare Frontblende	cover lockable front panel	-	-
32	33.2910.2000	Hebel, oben kpl.	lever, top compl.	-	-
32	33.2910.2099	Hebel, oben kpl.	lever, top	-	-
34	00.0047.3358	Flkpf-Schraube ISO 7045-M 4x 6-1.4301-H	pan head screw ISO 7045-M 4x 6-1.4301-H	-	-
35	00.0047.2197	Scheibe ISO 7093-1-4-200HV-1.4301	washer ISO 7093-1-4-200HV-1.4301	-	-
38	33.2071.8000	Zylinderschloss	cylinder lock	-	-
40	00.0047.3361	Flkpf-Schraube ISO 7045-M 4x 8-1.4301-H	pan head screw ISO 7045-M 4x 8-1.4301-H	-	-
41	33.2593.4000	Zugfeder	pull-spring	-	-
43	33.1359.7000	Hülse	sleeve	-	-
44	33.2159.6000	Scheibe	washer	-	-

Pos.	Art.-Nr. Art. no.	Bezeichnung Tech-Info Service-Info	Designation Tech-Info Service-Info	EA1	EA2
1	33.2547.0000	Deckel Rückwand	lid rear cover	-	-
2	00.0047.2098	Sechskantmutter ISO 10511-M 4-1.4301	hexagonnut ISO 10511-M 4-1.4301	-	-
3	00.0047.2049	Sechskantmutter ISO 4032-M 4-1.4301	hexagonnut ISO 4032-M 4-1.4301	-	-
5	33.7007.2689	Hubmagnet	solenoid	-	-
6	00.0047.3653	EJOT PT-Schraube KA 40x10 WN 1411-A2	EJOT PT-screw KA 40x10 WN 1411-A2	-	-
11	00.0047.3120	Senkschraube ISO 7046-2-M 4x16-1.4301-H	counter sunk screw ISO 7046-2-M 4x16-1.4	-	-
13	33.2559.9000	Verriegelungsrad	locking gear	-	-
14	33.2492.9000	Kabelsatz Deckel	cable kit lid	-	-
15	33.2561.8000	Lichtleiter, hinten rechts, vorne links	optical fiber, rear right, front left	-	-
19	00.0047.3361	Flkpf-Schraube ISO 7045-M 4x 8-1.4301-H	pan head screw ISO 7045-M 4x 8-1.4301-H	-	-
20	33.2645.9000	Dämpferschlauch	damper hose	-	-
21	33.1267.1000	Dauermagnet	permanent magnet	-	-
22	33.2557.7000	Einsatz	inner part	-	-
23	33.2559.5000	Druckfeder	pressure spring	1	-
24	33.2561.7000	Auflage	rest	-	-
25	33.2561.8100	Lichtleiter, hinten links, vorne rechts	optical fiber, rear left, front right	-	-
26	33.2561.3000	Beleuchtungssteuerung Beleuchtung	illumination controller illumination	-	-
27	33.2626.0000	LED-Platine Deckel	LED board lid	-	-
28	33.2617.5000	Ventilator 24 V, Molex-Buchse	fan 24 V, Molex socket	1	-

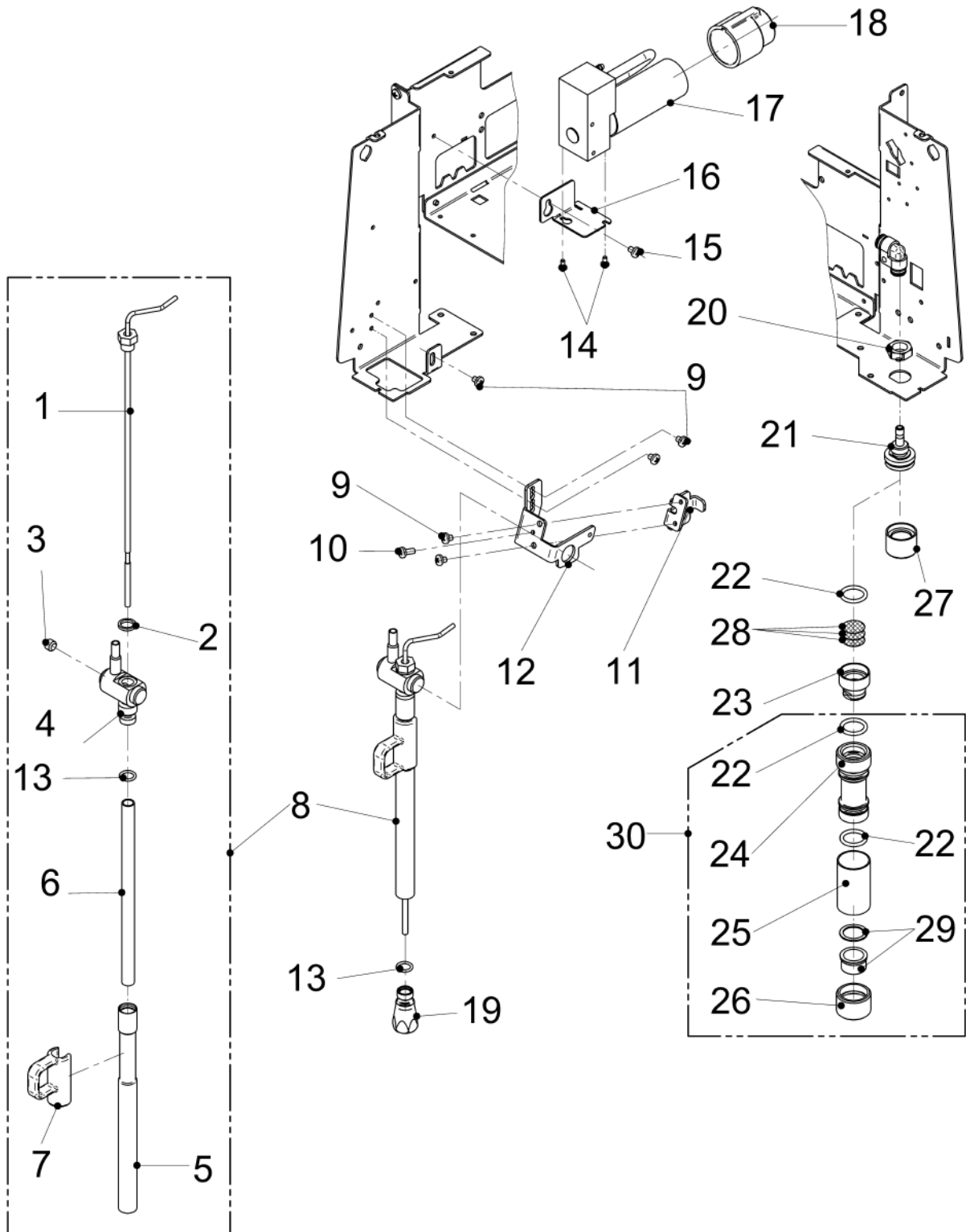
Pos.	Art.-Nr. Art. no.	Bezeichnung Tech-Info Service-Info	Designation Tech-Info Service-Info	EA1	EA2
30	33.2613.7000	Klebeschild Eingreifschutz	adhesive labels intervening protection	-	-
31	00.0047.3640	EJOT PT-Schraube KA 30x 8-WN 1411-A2	EJOT PT-screw KA 30x 8-WN 1411-A2	-	-
32	00.0047.2049	Sechskantmutter ISO 4032-M 4-1.4301	hexagonnut ISO 4032-M 4-1.4301	-	-
33	00.0047.2197	Scheibe ISO 7093-1-4-200HV-1.4301	washer ISO 7093-1-4-200HV-1.4301	-	-
34	33.2509.0000	Schnellbefestigungsmutter M4	quick-connect nut M4	-	-
35	33.2652.8000	Kabelhalterung Fixierplatte	cable support Mounting plate	-	-
99	33.2494.5000	Kabelsatz, Beleuchtung, rechts LED-Streifen, vorn	cable kit, illumination, right LED strip, front	-	-
99	33.2494.4000	Kabelsatz, Beleuchtung LED-Streifen, hinten	cable set, lighting LED strip, rear	-	-
A	33.2864.0099	Handeinwurf-komplett kpl.	manual insert lid compl.	-	-
B	33.9950.4000	Schacht, Handeinwurf kpl.	chute, manual insert compl.	-	-
C	33.2883.2000	Deckel ohne Beleuchtung	Cover without lighting	-	-
C	33.2883.1000	Deckel mit Beleuchtung	cover with lightning	-	-



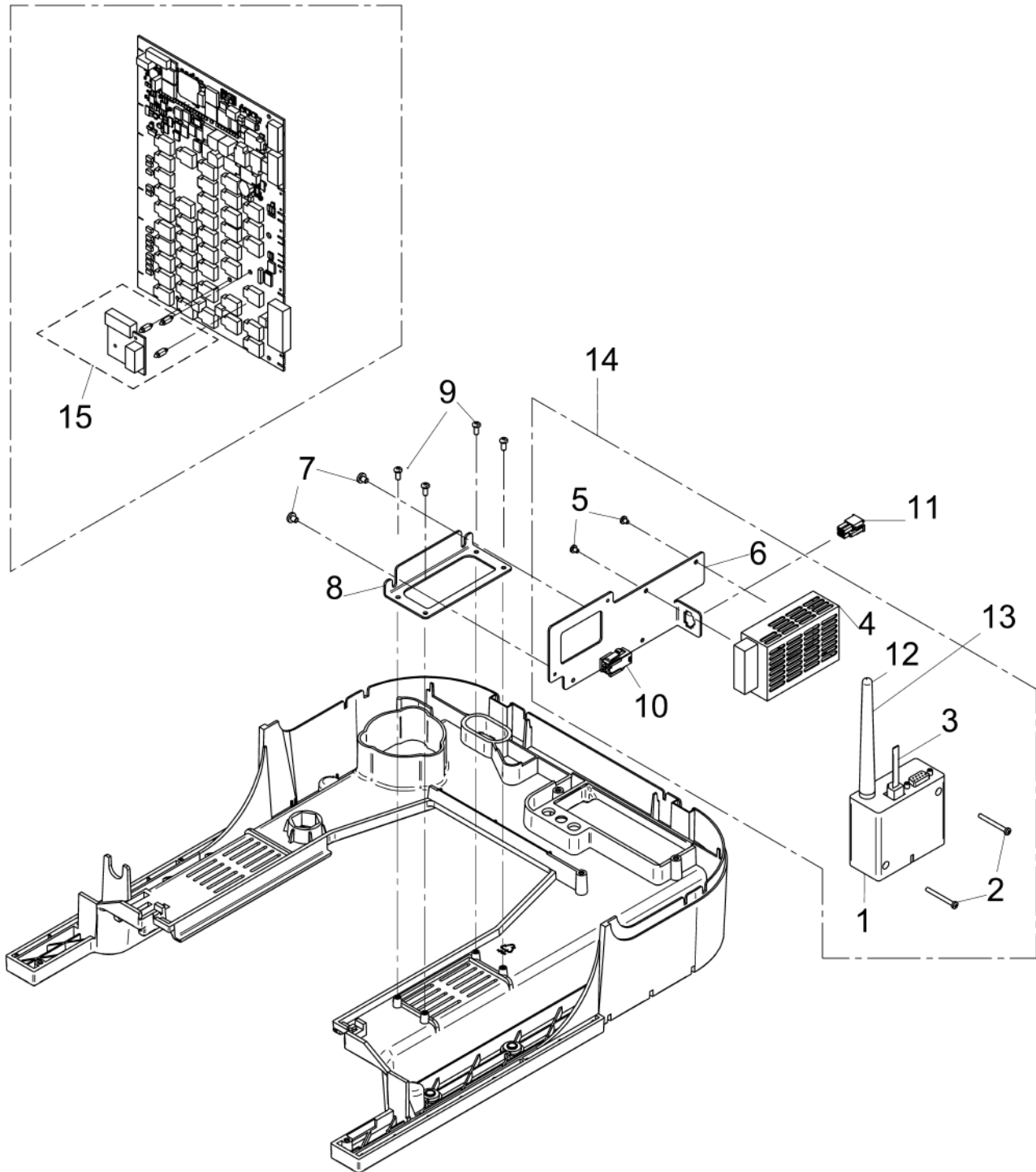
Pos.	Art.-Nr. Art. no.	Bezeichnung Tech-Info Service-Info	Designation Tech-Info Service-Info	EA1	EA2
1	33.2789.8199	Satzbehälter, Satz durch Theke	CGC, disposal through counter	-	-
2	33.2345.6100	Winkel Satzbehälter, Satz durch Theke	angle CGC, disposal through counter	-	-
3	33.3320.2000	Nachrüstsatz, Satz durch Theke -8800	retrofit kit grounds disposal through co	-	-
4	33.2657.3000	Thekeneinsatz nach Bedarf schrauben oder kleben	counter insert screws or adhesive as needed	-	-
5	33.2890.7000	Trichter Satz durch Theke, kpl.	funnel grounds disposal through counter, compl.	-	-
6	33.9950.9000	Satz-d-Theke-100Fuesse-kpl Satz durch Theke 100	grounds disp. thr. counter-100feet, kpl. grounds disposal through counter 100	-	-



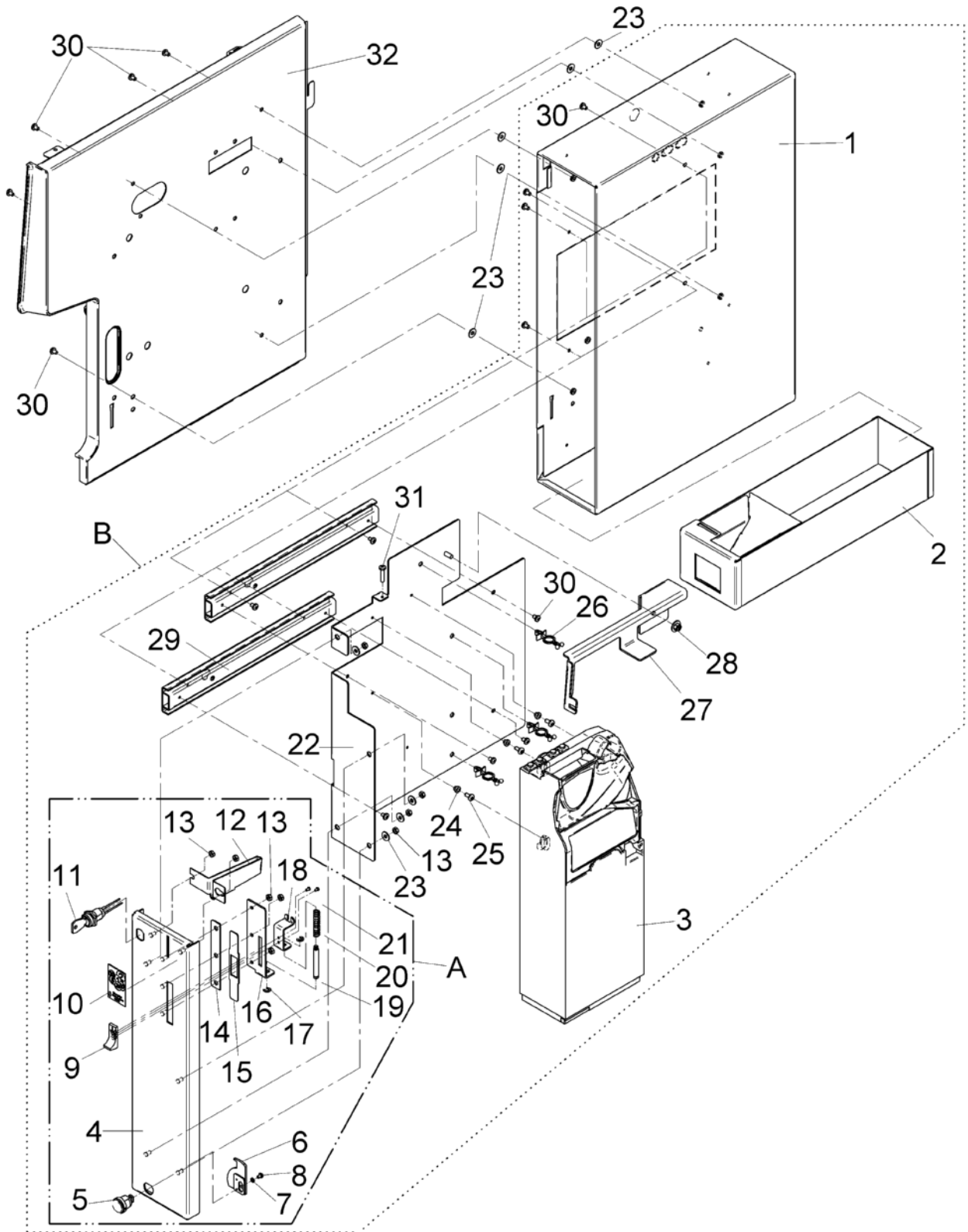
Pos.	Art.-Nr. Art. no.	Bezeichnung Tech-Info Service-Info	Designation Tech-Info Service-Info	EA1	EA2
1	33.2620.7000	Temperaturfühler	temperature sensor	-	-
2	33.1555.8000	Dichtung	seal	-	-
3	00.0047.2362	Gewindestift ISO 4026-M 8x1x 6-1.4301	Threaded pin ISO 4026-M 8x1x 6-1.4301	-	-
5	33.2621.4100	Rohr Pos. 6 kann entfallen	pipe pos no. 6 not needed	-	-
5	33.2621.4200	Dampfentnahmerohr	steam extraction pipe	-	-
6	00.0048.0050	Schlauch 7,6x1,0 PTFE	tube 7,6x1,0 PTFE	-	-
7	33.2071.9000	Griff Dampf	handle steam	-	-
8	33.2860.5099	Ausgabe, Steampower, mit Sensor	dispensing, Steampower, with sensor	-	-
9	00.0047.3356	Flkpf-Schraube ISO 7045-M 4x 5-1.4301-H	pan head screw ISO 7045-M 4x 5-1.4301-H	-	-
10	00.0047.3363	Flkpf-Schraube ISO 7045-M 4x10-1.4301-H	pan head screw ISO 7045-M 4x10-1.4301-H	-	-
11	33.2621.0000	Winkel klein, Steamer	angle small, steamer	-	-
12	33.2620.9000	Winkel Halterung Steamer	angle holder, steamer	-	-
13	33.1580.3000	O-Ring 8,00x2,00 EPDM	O-ring, 8.00x2.00 EPDM	-	-
14	00.0047.3316	Flkpf-Schraube ISO 7045-M 3x 6-1.4301-H	pan head screw ISO 7045-M 3x 6-1.4301-H	-	-
15	00.0047.3358	Flkpf-Schraube ISO 7045-M 4x 6-1.4301-H	pan head screw ISO 7045-M 4x 6-1.4301-H	-	-
17	33.2595.0600	Luftpumpe 3 bar, mit Blende 0,6 mm	air pump 3 bar, with orifice 0.6 mm	-	-
18	33.2626.4000	Tülle	spout	-	-
19	33.2658.7100	Mischdüse, PEEK	mixing nozzle, PEEK	-	-
19	33.2658.7000	Mischdüse	mixing nozzle	-	-



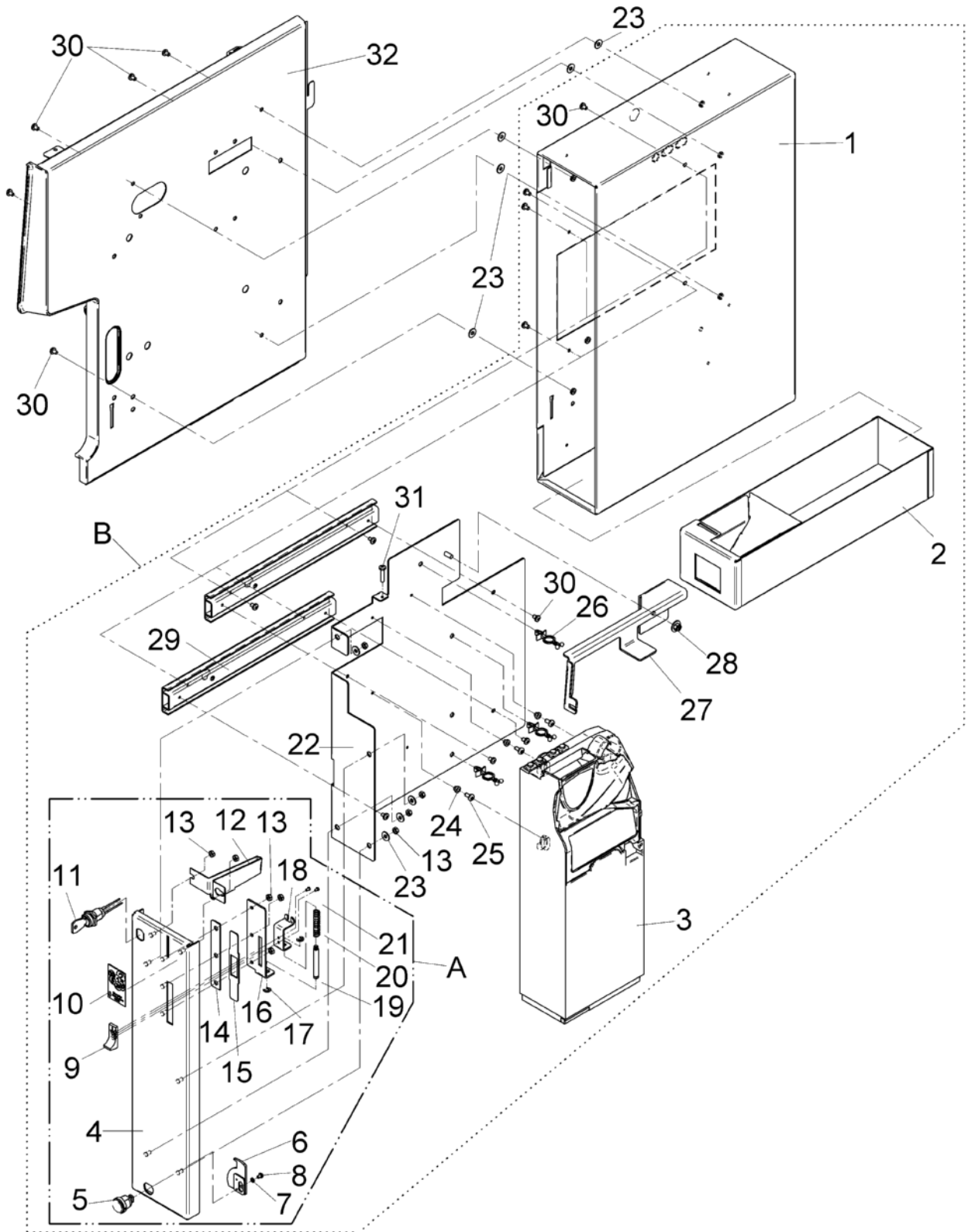
Pos.	Art.-Nr. Art. no.	Bezeichnung Tech-Info Service-Info	Designation Tech-Info Service-Info	EA1	EA2
20	33.0227.7000	Sechskantmutter	hexagon nut	-	-
21	33.2191.8000	Anschlussstück	connection piece	-	-
22	33.0393.5000	O-Ring 15,54x2,62 EPDM	O-ring, 15.54x2.62 EPDM	-	-
23	33.2560.3000	Adapterstück HW-Ausgabe	adapter piece HW spout	-	-
24	33.4034.9000	Auslaufgehäuse	spout housing	-	-
25	33.4035.1000	Auslauf, Rohr	spout, pipe	-	-
26	33.4035.0000	Auslauf Hülse	spout sleeve	-	-
27	33.0336.7000	Düse, Auslauf	nozzle, spout	-	-
28	33.2673.9000	Sieb	filter	-	-
29	33.0336.7000	Düse, Auslauf	nozzle, spout	-	-
30	33.2911.4199	Rohr HW-Auslauf, kpl.	pipe HW spout, compl.	-	-
31	33.0395.3000	O-Ring 9,25x1,78 EPDM nur Ersatzteil	O-ring, 9.25x1.78 EPDM spare part only	-	-
A	33.2882.7099	Rohr, kpl.	pipe, compl.	-	-



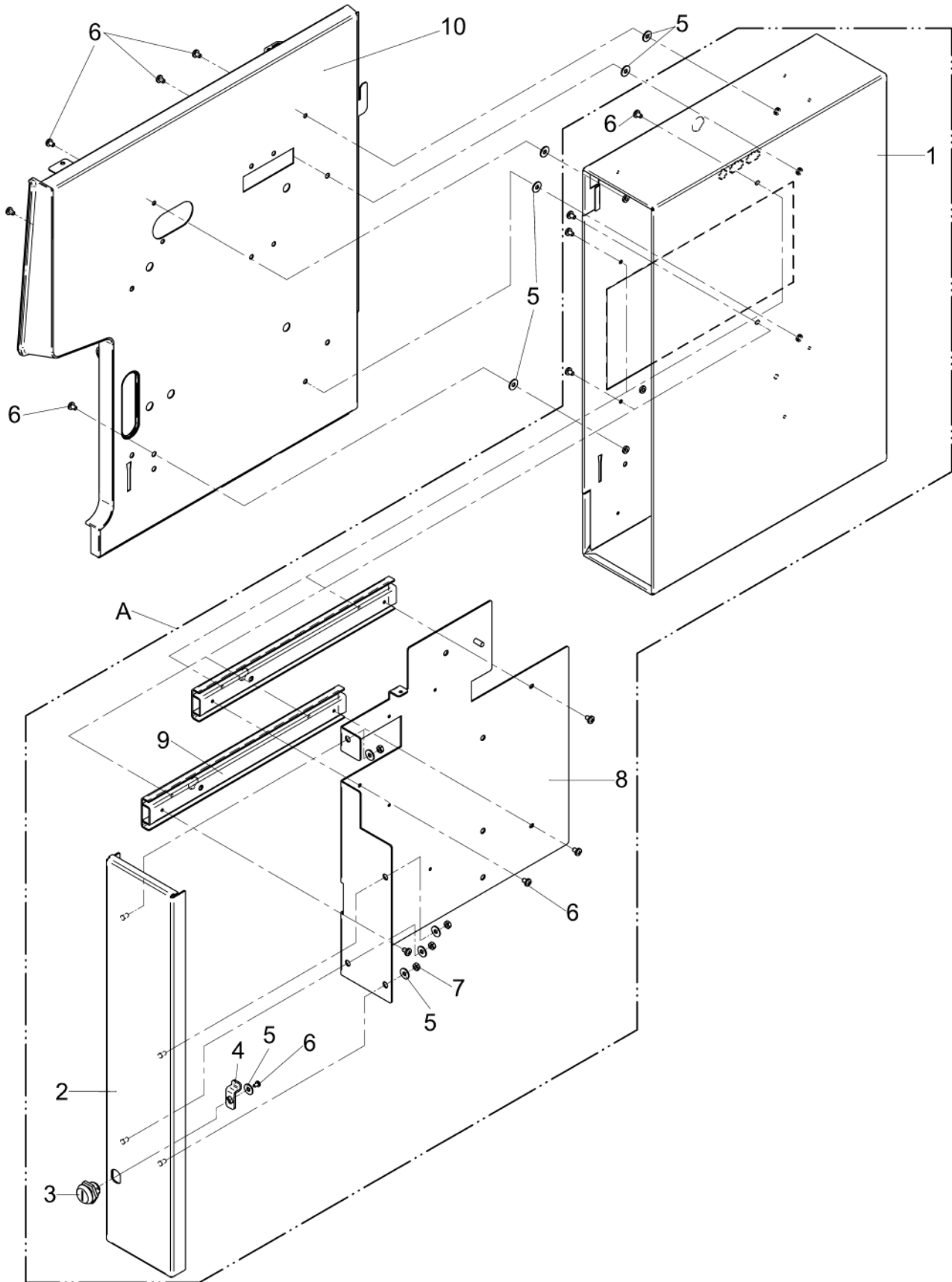
Pos.	Art.-Nr. Art. no.	Bezeichnung Tech-Info Service-Info	Designation Tech-Info Service-Info	EA1	EA2
1	33.2614.7100	RDA-Modul ohne Lizenz	RDA module no licence	-	-
2	00.0047.3330	Flkpf-Schraube ISO 7045-M 3x30-1.4301-H	pan head screw ISO 7045-M 3x30-1.4301-H	-	-
3	33.2618.0000	Kabelsatz, Stromversorgung 12 V, RDA-Modul	cable set, power supply 12 V, RDA-module	-	-
4	33.2617.1000	Schaltnetzteil 12 V, 25 W	switching power supply 12 V, 25 W	-	-
5	00.0047.3312	Flkpf-Schraube ISO 7045-M 3x 4-A2-H	pan head screw ISO 7045-M 3x 4-A2-H	-	-
7	00.0047.3356	Flkpf-Schraube ISO 7045-M 4x 5-1.4301-H	pan head screw ISO 7045-M 4x 5-1.4301-H	-	-
8	33.2654.4000	Winkel, Halterung RDA-8000S	angle, holder RDA-8000S	-	-
9	00.0047.3651	EJOT PT-Schraube KA 35x 8-WN 1412-4303	EJOT PT-screw KA 35x 8-WN 1412-4303	-	-
12	33.2618.4000	Knickantenne f. RDA-Modul	antenna for RDA module	-	-
13	33.2618.1000	Externe Klebeantenne für RDA-Modul	external adhesive antenna for RDA-module	-	-
15	33.2367.0000	Leiterplatte, RS232	printed circuit board, RS232	-	-
15	33.2597.8000	Adapterkabel XM zu RS232-Adapter 0388	adapter cable XM to RS232 adapter 0388	-	-
15	33.2597.9000	Kabelsatz, serielle Schnittstelle RS232-Adapter-Ser-Schnittstelle NG	cable set, serial interface RS232 adapter serial interface NG	-	-
15	33.1690.9000	Schraubensicherung	screw locker	-	-



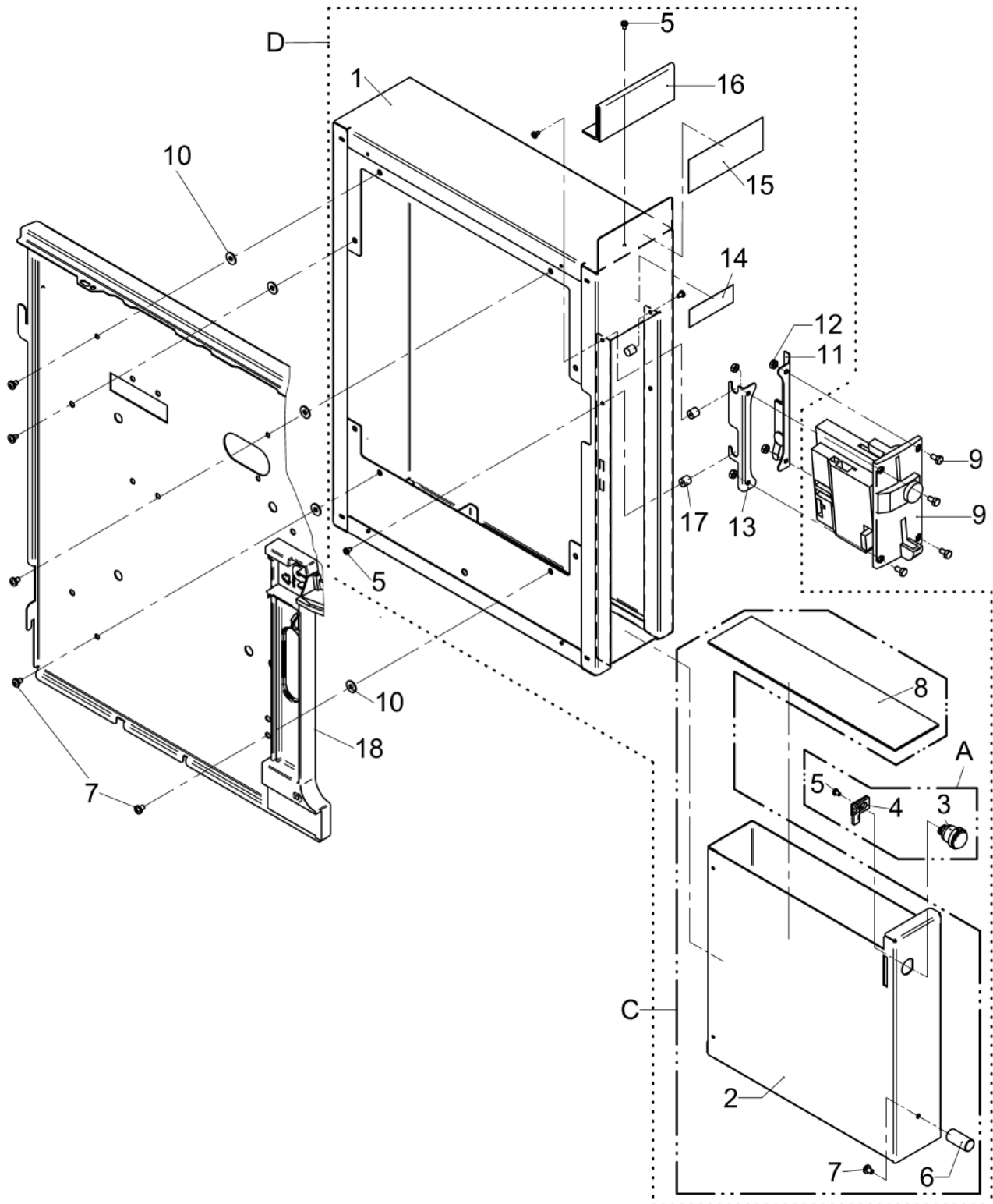
Pos.	Art.-Nr. Art. no.	Bezeichnung Tech-Info Service-Info	Designation Tech-Info Service-Info	EA1	EA2
1	33.2827.0100	Verkleidung mit Durchwurf, kpl.	cover with disposal, compl.	-	-
1	33.2827.0000	Verkleidung, kpl.	cover, compl.	-	-
2	33.2826.9000	Münzkassette, kpl.	coin cartridge, compl.	-	-
2	33.2826.9100	Münzkassette mit Durchwurf, kpl.	coin cartridge with disposal, compl.	-	-
3	33.2108.1299	Münzwechsler cpi Gryphon	coin changer cpi Gryphon	-	-
3	33.2589.3000	Kombi-Münztubenkassette für Münzwechsler CF7900	combo coin tube cassette for coin changer CF7900	-	-
3	33.4400.6000	Kombi Münztubenkassette für Münzwechsler cpi Gryphon	combo coin tube cassette for coin changer cpi Gryphon	-	-
5	33.1529.1000	Zylinderschloss mit Schlüssel	cylinder lock with key	-	-
6	33.2826.2000	Schließhebel, kpl.	locking lever, compl.	-	-
7	00.0047.2250	Zahnscheibe DIN 6797-A 3,2-1.4300	tooth lock washer DIN 6797-A 3, 2-1.4300	-	-
8	00.0047.3313	Flkopf-Schraube ISO 7045-M 3x 5-1.4301-H	pan head screw ISO 7045-M 3x 5-1.4301-H	-	-
9	33.1482.4000	Schieber	slider	-	-
10	33.2336.6000	Klebeschild Münzwechsler	adhesive labels coin changer	-	-
11	33.2331.5000	Schlüsselschalter, kpl.	switch lock, compl.	-	-
13	00.0047.2049	Sechskantmutter ISO 4032-M 4-1.4301	hexagonnut ISO 4032-M 4-1.4301	-	-
20	33.0191.4000	Druckfeder	pressure spring	-	-
21	00.0047.3656	EJOT PT-Schraube KA 25x 5-WN 1412-A2	EJOT PT-screw KA 25x 5-WN 1412-A2	-	-
23	00.0047.2197	Scheibe ISO 7093-1-4-200HV-1.4301	washer ISO 7093-1-4-200HV-1.4301	-	-
24	33.1310.2000	Hülse	sleeve	-	-



Pos.	Art.-Nr. Art. no.	Bezeichnung Tech-Info Service-Info	Designation Tech-Info Service-Info	EA1	EA2
25	00.0047.3361	Flkpf-Schraube ISO 7045-M 4x 8-1.4301-H	pan head screw ISO 7045-M 4x 8-1.4301-H	-	-
26	33.1502.2000	Kabelhalterung	cable support	-	-
28	00.0047.2101	Comby-SHB-Mutter-M5-Selbstsiche rnd-A2K	Comby-SHB-nut-M5-Selbstsichernd -A2K	-	-
29	33.2333.1000	Teleskopschiene Paar	telescoping rail	-	-
30	00.0047.3358	Flkpf-Schraube ISO 7045-M 4x 6-1.4301-H	pan head screw ISO 7045-M 4x 6-1.4301-H	-	-
31	00.0047.3368	Flkpf-Schraube ISO 7045-M 4x20-1.4301-H	pan head screw ISO 7045-M 4x20-1.4301-H	-	-
32	33.4710.4000	Seitenwand, rechts, kpl., Anbaugeräte vending machines, for accessory equipment	side cover, right, cpl., add-on equipment vending machines, for accessory equipment	-	-
99	33.4087.9000	Adapterkabel	adapter cable	-	-
99	33.2594.2000	Kabelsatz, MDB	cable set, MDB	-	-
A	33.2819.3000	Bedienblende, kpl. Münzwechsler	operating panel, compl. coin changer	-	-
B	33.2808.9100	Münzwechsler Durchwurf durch Theke Anbaugehäuse mit Durchwurf	coin changer throw trough counter mounting case, with disposal	-	-
B	33.2808.9000	Münzwechsler, Anbaugehäuse kpl.	coin changer, add-on housing compl.	-	-



Pos.	Art.-Nr. Art. no.	Bezeichnung Tech-Info Service-Info	Designation Tech-Info Service-Info	EA1	EA2
3	33.2071.8000	Zylinderschloss mit Schlüssel	cylinder lock with key	-	-
4	33.2119.3000	Schließhebel kpl.	locking lever compl.	-	-
5	00.0047.2197	Scheibe ISO 7093-1-4-200HV-1.4301	washer ISO 7093-1-4-200HV-1.4301	-	-
6	00.0047.3358	Flkopf-Schraube ISO 7045-M 4x 6-1.4301-H	pan head screw ISO 7045-M 4x 6-1.4301-H	-	-
7	00.0047.2049	Sechskantmutter ISO 4032-M 4-1.4301	hexagonnut ISO 4032-M 4-1.4301	-	-
9	33.2333.1000	Teleskopschiene	telescoping rail	-	-
10	33.2890.8000	Seitenwand, rechts Verkaufsgeräte, für Anbaugeräte	side cover, right vending machines, for accessory equipment	-	-
99	33.4087.9000	Adapterkabel	adapter cable	-	-
99	33.2594.2000	Kabelsatz, MDB	cable set, MDB	-	-
A	33.2808.8000	Kartenleser 130 mm breit, Anbaugeräte	card reader 130 mm wide, accessory equipment	-	-

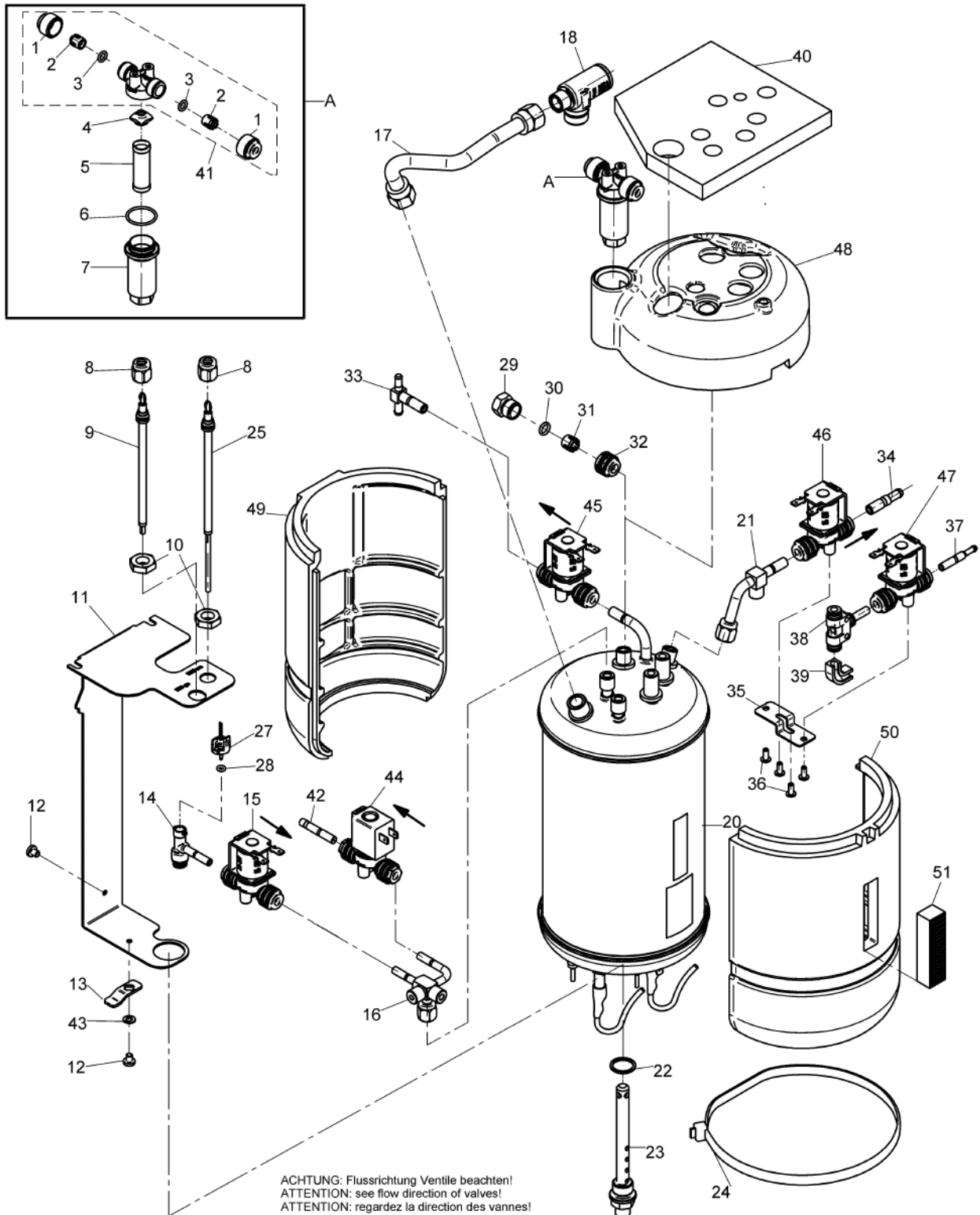


Pos.	Art.-Nr. Art. no.	Bezeichnung Tech-Info Service-Info	Designation Tech-Info Service-Info	EA1	EA2
5	00.0047.3313	Flkpf-Schraube ISO 7045-M 3x 5-1.4301-H	pan head screw ISO 7045-M 3x 5-1.4301-H	-	-
7	00.0047.3358	Flkpf-Schraube ISO 7045-M 4x 6-1.4301-H	pan head screw ISO 7045-M 4x 6-1.4301-H	-	-
9	33.2263.2000	Münzprüfer, MDB Euro	coin checker, MDB Euro	-	-
9	33.2263.2200	Münzprüfer, MDB £	coin checker, MDB £	-	-
9	33.2263.2100	Münzprüfer, MDB CHF	coin checker, MDB CHF	-	-
10	00.0047.2197	Scheibe ISO 7093-1-4-200HV-1.4301	washer ISO 7093-1-4-200HV-1.4301	-	-
12	00.0047.2049	Sechskantmutter ISO 4032-M 4-1.4301	hexagonnut ISO 4032-M 4-1.4301	-	-
14	33.9506.5000	Klebeschild	adhesive labels	-	-
15	33.2327.8000	Schild Euro	label Euro	-	-
16	33.2322.9000	Halterung, Schild	holder, label	-	-
17	33.2287.4000	Bolzen	bolt	-	-
18	33.2890.8000	Seitenwand, rechts Verkaufsgeräte, für Anbaugeräte	side cover, right vending machines, for accessory equipment	-	-
A	33.2826.5000	Schloss mit Schließhebel kpl.	lock with locking lever compl.	-	-
C	33.2826.7000	Münzkassette, kpl.	coin cartridge, compl.	-	-
D	33.2825.1000	Münzprüfergehäuse ohne Münzprüfer-Einsatz	coin checker housing w/o coin checker insert	-	-

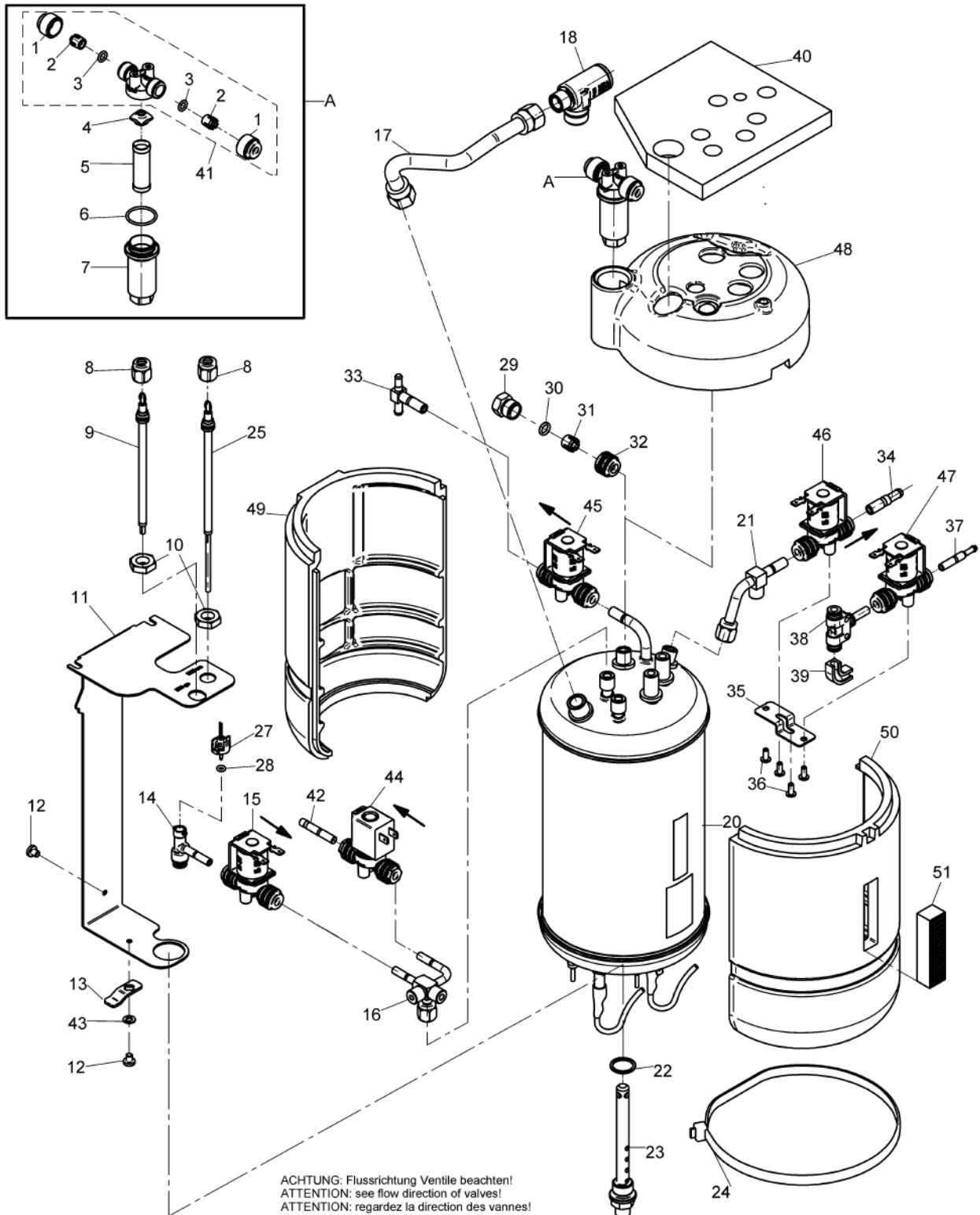
keine Illustration

no illustration

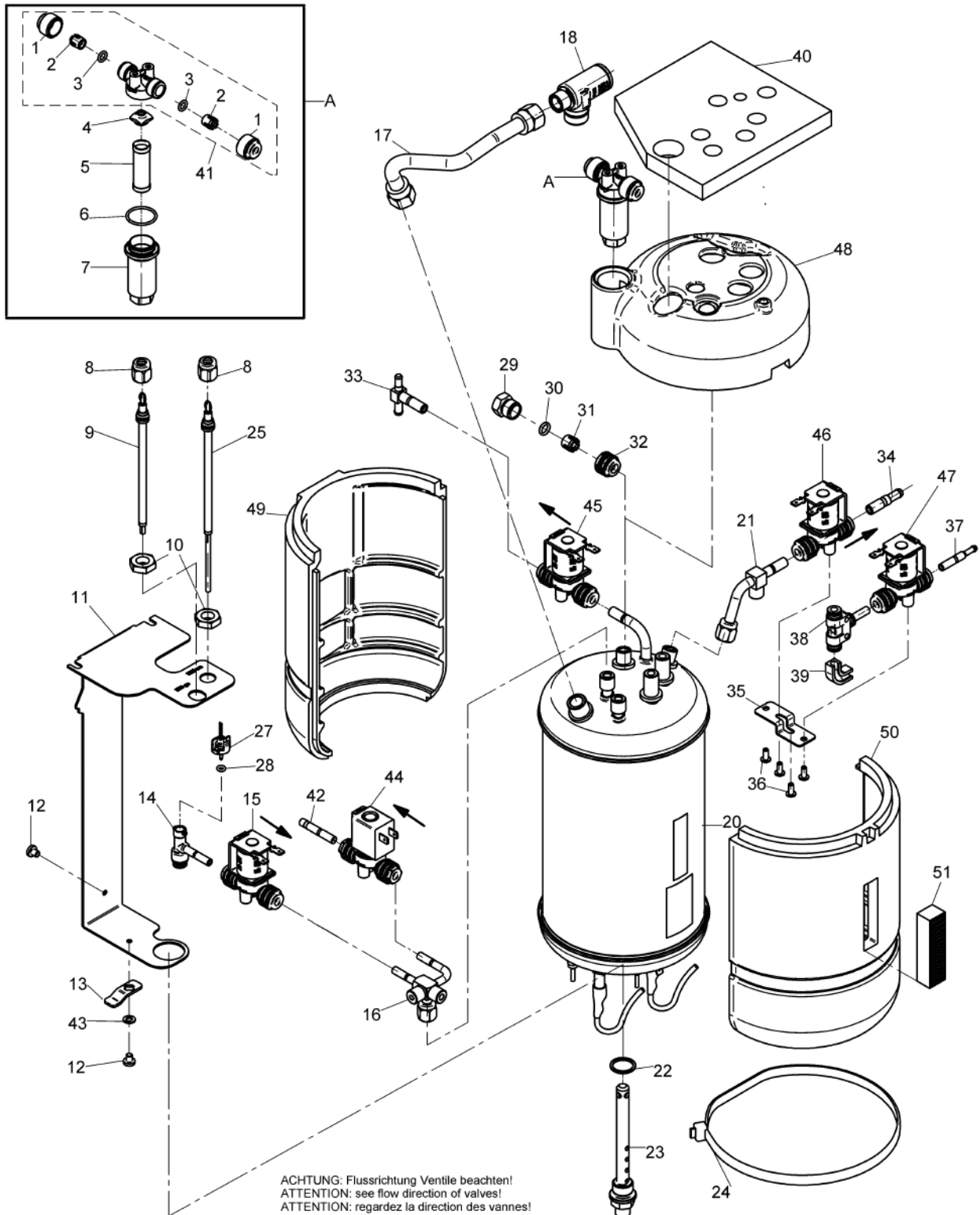
Pos.	Art.-Nr. Art. no.	Bezeichnung Tech-Info Service-Info	Designation Tech-Info Service-Info	EA1	EA2
99	33.3320.0000	Nachrüstsatz, RDA-Modul -8800	retrofit kit RDA-Modul-8800	-	-
99	33.3320.1000	Nachrüstsatz, Milch, rechts -8800	retrofit kit, milk, right -8800	-	-
99	33.3320.2000	Nachrüstsatz, Satz durch Theke -8800	retrofit kit grounds disposal through co	-	-
99	33.3320.3000	Nachr.Satz Füße 100mm 1500/5000/9000	Retrof.kit feet 100mm 1500/5000/9000	-	-
99	33.3320.5000	Nachrüstsatz, serielle Schnittstelle oKS serielle Schnittstelle, ohne Kellnerschloss	retrofit kit, serial interface oKS serial interface, without waiter lock	-	-
99	33.3320.6000	Nachrüstsatz, motorischer Tassentisch	retrofit kit automatic cup stop	-	-
99	33.3320.7000	Nachrüsts. Entkalkungsan. in Masch.-8800 Entkalkungsanschluss in Maschine	retrofit kit descaling connection in machine	-	-



Pos.	Art.-Nr. Art. no.	Bezeichnung Tech-Info Service-Info	Designation Tech-Info Service-Info	EA1	EA2
1	33.2274.1000	Überwurfmutter, weiß, 6mm M15X1	union nut, white, 6 mm M15X1	-	-
2	33.2274.2000	Klemmring	clamping ring	-	-
3	33.2274.0000	O-Ring 6,07x1,78 FKM	O-ring, 6.07x1.78 FKM	-	-
4	33.2354.1000	Reduzierstück Wasserfilter	reducer water filter	-	-
5	33.0668.8000	Siebeinsatz, fein	filter insert, fine	-	-
5	33.1509.2000	Siebeinsatz, grob Standard	filter insert, coarse default	-	-
6	33.2283.2000	O-Ring 21,95x1,78 EPDM	O-ring, 21.95x1.78 EPDM	-	-
7	33.2354.0000	Hülse Wasserfilter	sleeve water filter	-	-
8	33.2290.6000	Überwurfmutter M12X1	union nut M12X1	-	-
9	33.2849.4000	Elektrode BW-Titan, kpl.	electrode BW titanium, compl.	1	-
10	33.2254.5000	Sechskantmutter, M12x1, SW17 M12X1-SW17	hexagon nut, M12x1, WAF17 M12X1-SW17	-	-
12	00.0047.3385	Flkopf-Schraube ISO 7045-M 5x 6-1.4301-H	pan head screw ISO 7045-M 5x 6-1.4301-H	-	-
13	33.2299.8000	Schließhebel	locking lever	-	-
14	33.2350.7000	Grundkörper Temperaturfühler, kpl.	base body temperature sensor, compl.	1	-
15	33.2400.7000	Ventil 2/2 NW2,5 Hub 0,75-12 bar Ventil 1, siehe Zeichnung 7	valve 2/2 NW2.5 stroke 0.75-12 bar valve 1, see drawing 7	-	-
16	33.2540.0000	Brühwasserverteiler, 2	brewing water distributor, 2	-	-
17	33.2353.0000	Rohr SV kpl.	pipe PS, compl.	-	-
18	33.2515.5000	Sicherheitsventil 10 bar 10 bar	safety valve 10 bar 10 bar	-	-
20	33.2352.0000	Kessel 3,1 L, 230 V-3000 W/400 V-6000 W 2 Beheizungen, Europa	boiler 3.1 L, 230 V-3000 W/400 V-6000 W 2 heaters, Europe	-	-
20	33.2352.4199	Kessel 3,1 L, 230 V-2700 W, UK	boiler 3.1 L, 230 V-2700 W, UK	-	-



Pos.	Art.-Nr. Art. no.	Bezeichnung Tech-Info Service-Info	Designation Tech-Info Service-Info	EA1	EA2
20	33.2352.2000	Kessel 3,1 L, 240 V-4600 W/240 V-6100 W Taiwan, USA	boiler 3.1 L, 240 V-4600 W/240 V-6100 W Taiwan, USA	-	-
20	33.2352.1000	Kessel 3,1 L, 200 V-3700 W/200 V-5700 W Japan	boiler 3.1 L, 200 V-3700 W/200 V-5700 W Japan	-	-
20	33.2352.0299	Kessel 3,1 L, 400 V-6000 W, UK	boiler 3.1 L, 400 V-6000 W, UK	-	-
21	33.2536.9000	Rohr bei Super Steam, kpl.	pipe with Super Steam, compl.	-	-
22	33.0060.3000	Dichtring DIN 7603-A 17x21 CU	sealing ring DIN 7603-A 17x21 CU	-	-
23	33.2499.0000	Nippel HW-Ausgabe	plug HW spout	-	-
24	33.1217.3001	Kabelbinder	cable clip	-	-
25	33.2849.5000	Elektrode NW-Titan, kpl.	electrode LW titanium, compl.	1	-
27	33.2495.0000	Temperaturfühler	temperature sensor	1	-
28	33.2534.8000	O-Ring 3,60x1,90 EPDM	O-ring, 3.60x1.90 EPDM	1	-
29	33.2598.6000	Verschlussschraube, 8 ohne Cappuccino	locking screw, 8 without cappuccino	-	-
30	33.2275.3000	O-Ring 8,07x1,78 FKM ohne Cappuccino	O-ring, 8.07x1.78 FKM without cappuccino	-	-
31	33.2275.2000	Klemmring ohne Cappuccino	clamping ring without cappuccino	-	-
32	33.2275.0000	Überwurfmutter, weiß, 8 mm ohne Cappuccino	union nut, white, 8 mm without cappuccino	-	-
33	33.2617.7000	Schlauchverbinder T	hose coupling T	1	-
34	33.2525.5000	Nippel, Schlauch AVS-Buschjost	plug, hose AVS Buschjost	-	-
36	00.0047.3653	EJOT PT-Schraube KA 40x10 WN 1411-A2	EJOT PT-screw KA 40x10 WN 1411-A2	-	-
37	33.2468.6000	Nippel, Schlauch	plug, hose	-	-
38	33.1445.7000	Steckanschluss T 6-6-6	plug-in connection T 6-6-6	-	-



Pos.	Art.-Nr. Art. no.	Bezeichnung Tech-Info Service-Info	Designation Tech-Info Service-Info	EA1	EA2
39	33.2229.4000	Schlauchstütze 6er	hose support 6mm	-	-
40	33.2626.1000	Isolierplatte	insulated plate	-	-
41	33.2538.1000	Grundkörper kpl.	base body compl.	-	-
42	33.2410.7000	Blende 0,7 mm	aperture 0.7 mm	-	-
43	33.4151.9000	Erdungsfeder	grounding spring	-	-
44	33.2273.6000	Ventil 2/2 NW2,5 Hub 0,75 Ventil 14	valve 2/2 NW2.5 stroke 0.75 valve 14	-	-
45	33.2274.8000	Ventil 2/2 NW4,5 Hub 1,2 Ventil 2	valve 2/2 NW4.5 stroke 1.2 valve 2	-	-
46	33.2274.8000	Ventil 2/2 NW4,5 Hub 1,2 Ventil 3	valve 2/2 NW4.5 stroke 1.2 valve 3	-	-
47	33.2500.1000	Ventil 2/2 NW2,5 Hub 0,75, gr. Spule Ventil 19	valve 2/2 i.d.2.5 stroke 0.75 large coil valve 19	-	-
48	33.2353.1000	Isolierung Deckel	insulation lid	-	-
49	33.2353.1100	Isolierung Schale, vorn	insulation cover, front	-	-
50	33.2353.1200	Isolierung Schale, hinten	insulation cover, rear	-	-
51	33.2655.3000	Schaumplatte	foam sheet	-	-
A	33.2849.7099	Wasserfilter kpl.	water filter compl.	1	-