

# WMF 2000 S

---

## Ersatzteilkatalog Spare Parts Catalogue

02.06.2022

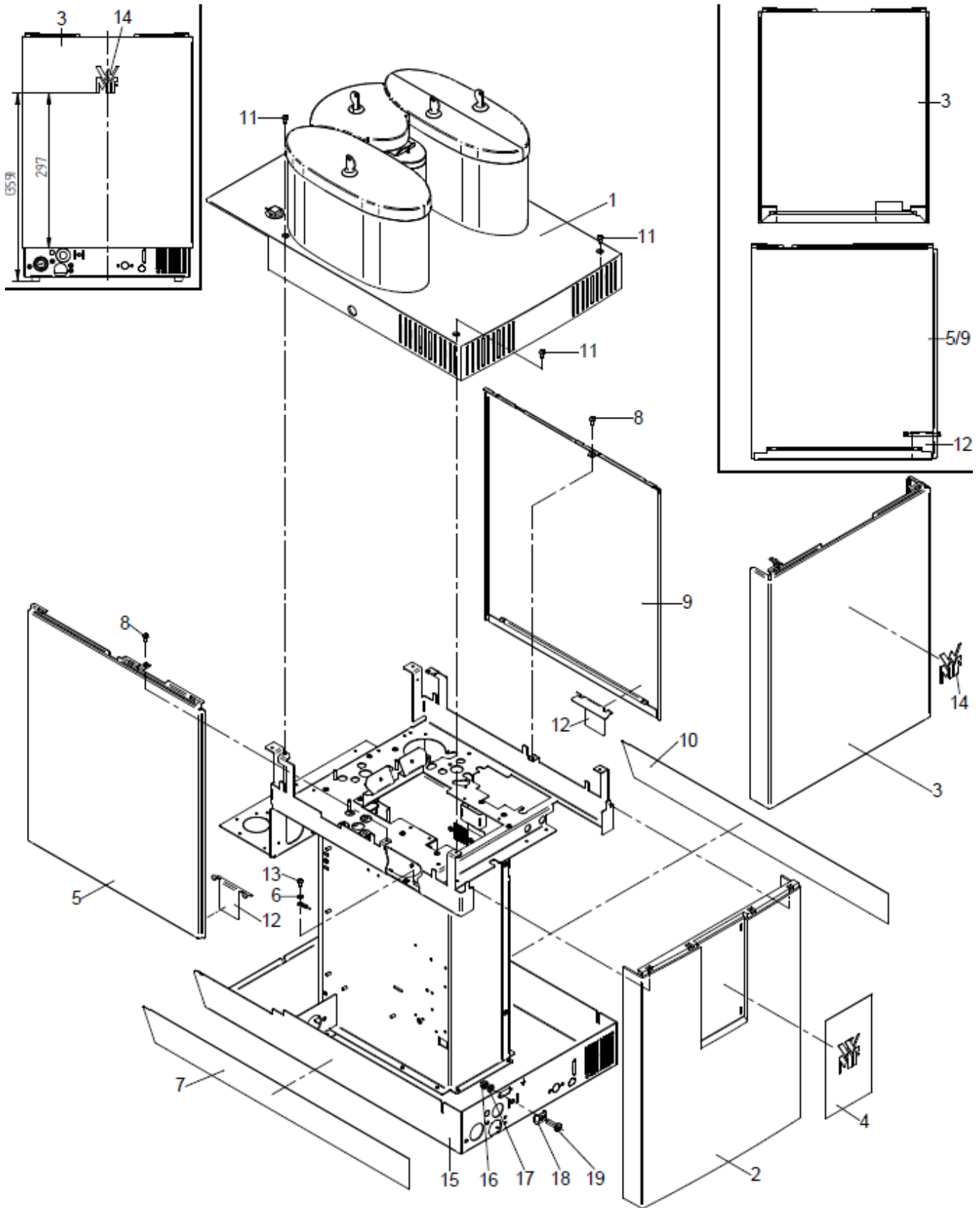


Printed in Germany  
Nachdruck, Vervielfältigung oder Übersetzung, auch  
auszugsweise, nicht erlaubt

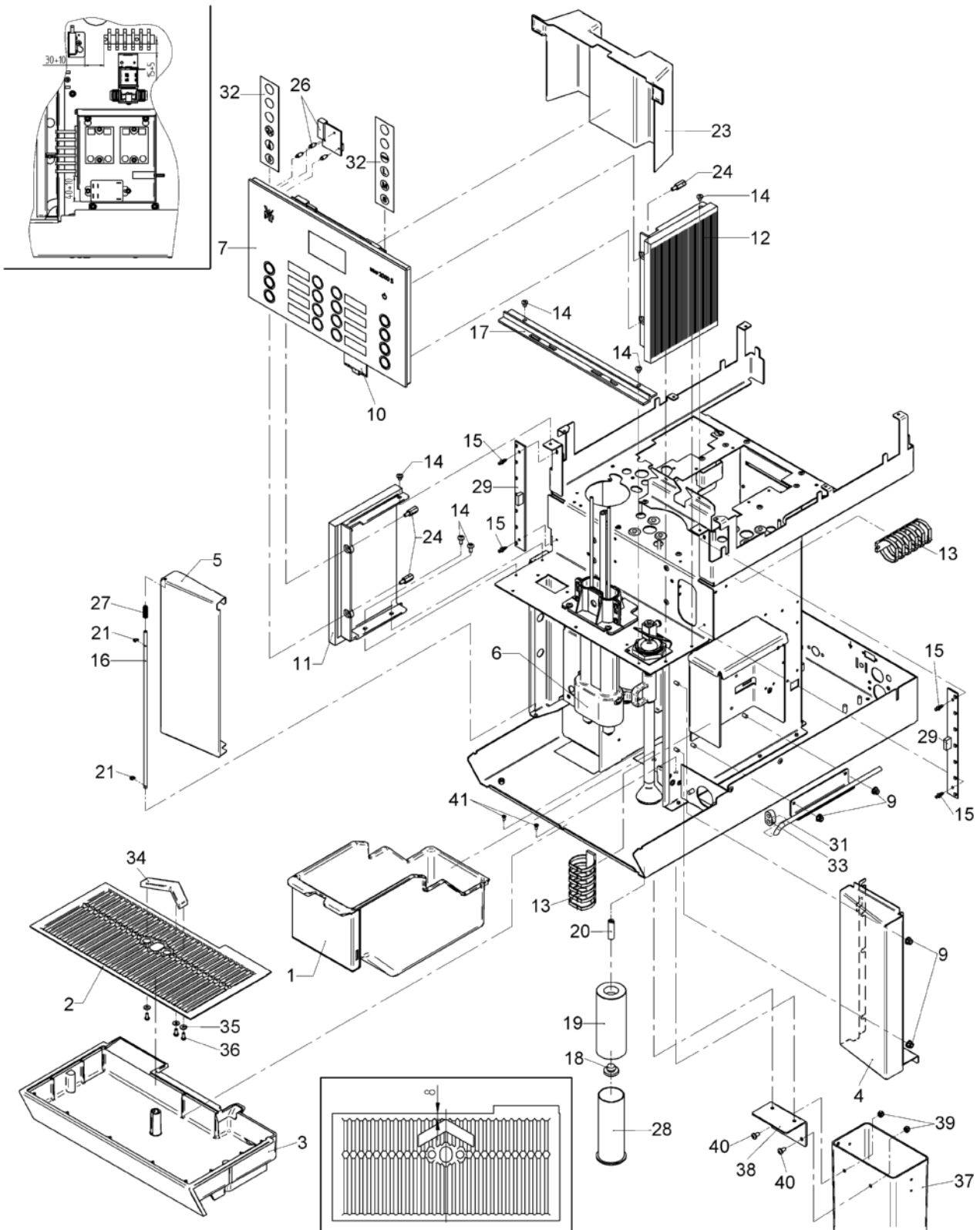
gedruckt / printed: 02.06.2022

WMF GmbH  
WMF Platz 1  
D-73312 Geislingen/Steige  
[info@wmf-group.com](mailto:info@wmf-group.com)  
[www.wmf.com](http://www.wmf.com)

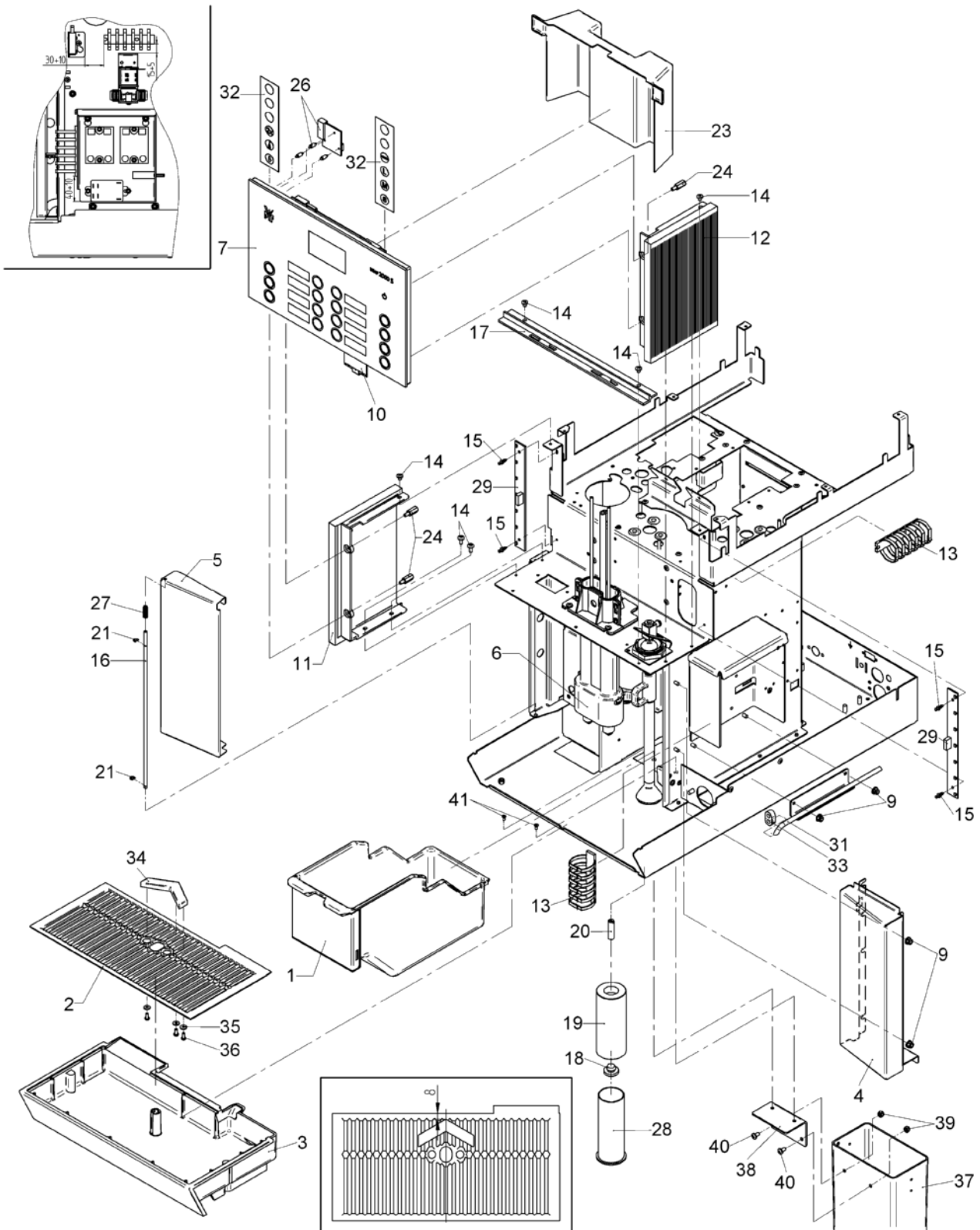
| <b>Blatt<br/>Sheet</b> | <b>Bezeichnung</b>         | <b>Designation</b>                | <b>Seite<br/>Page</b> |
|------------------------|----------------------------|-----------------------------------|-----------------------|
| 201                    | Verkleidungsteile 1        | cover parts 1                     | 2                     |
| 202                    | Verkleidungsteile 2        | cover parts 2                     | 4                     |
| 203                    | Einbauteile, links         | mounting parts, left              | 10                    |
| 204                    | Einbauteile rechts         | special fittings right            | 16                    |
| 205                    | Einbauteile Rückseite      | special fittings back             | 22                    |
| 206                    | Zulaufgruppe Festwasser    | cold water feed - plumbed version | 24                    |
| 208                    | Magnetventil               | valves                            | 28                    |
| 209                    | Heisswasserkessel          | hot water boiler                  | 30                    |
| 210                    | Dampfkessel                | steam boiler                      | 34                    |
| 211                    | Brüher                     | brewing unit                      | 38                    |
| 212                    | Brüher, kpl.               | brewer, compl.                    | 40                    |
| 213                    | Mühle                      | grinder                           | 44                    |
| 214                    | Kaffeeauslauf              | coffee outlet                     | 46                    |
| 224                    | Kaffeeauslauf Mod. 1       | coffee spout, mod. 1              | 50                    |
| 215                    | Heißwasserausgabe, Steamer | dispensing hot water, steamer     | 54                    |
| 216                    | Schok gross, TwinChoc      | Choc big, TwinChoc                | 58                    |
| 217                    | Maschinendeckel 2 Produkte | top cover 2 hoppers               | 62                    |
| 218                    | Maschinendeckel 3 Produkte | top cover 3 hoppers               | 66                    |
| 219                    | Münzprüfer                 | coin checker                      | 70                    |
| 220                    | Münzwechsler               | coin exchanger                    | 74                    |
| 221                    | Kartenleser                | card reader                       | 78                    |
| 990                    | Nachrüstmodule             | retrofitting modules              | 80                    |
| 223                    | Maschinengestell           | base frame                        | 82                    |
| 225                    | ActiveMilk                 | ActiveMilk                        | 84                    |
| 995                    | Einschubstreifen           | module strip                      | 92                    |
| 283                    | Warnschilder USA           | Warning Labels USA                | 94                    |



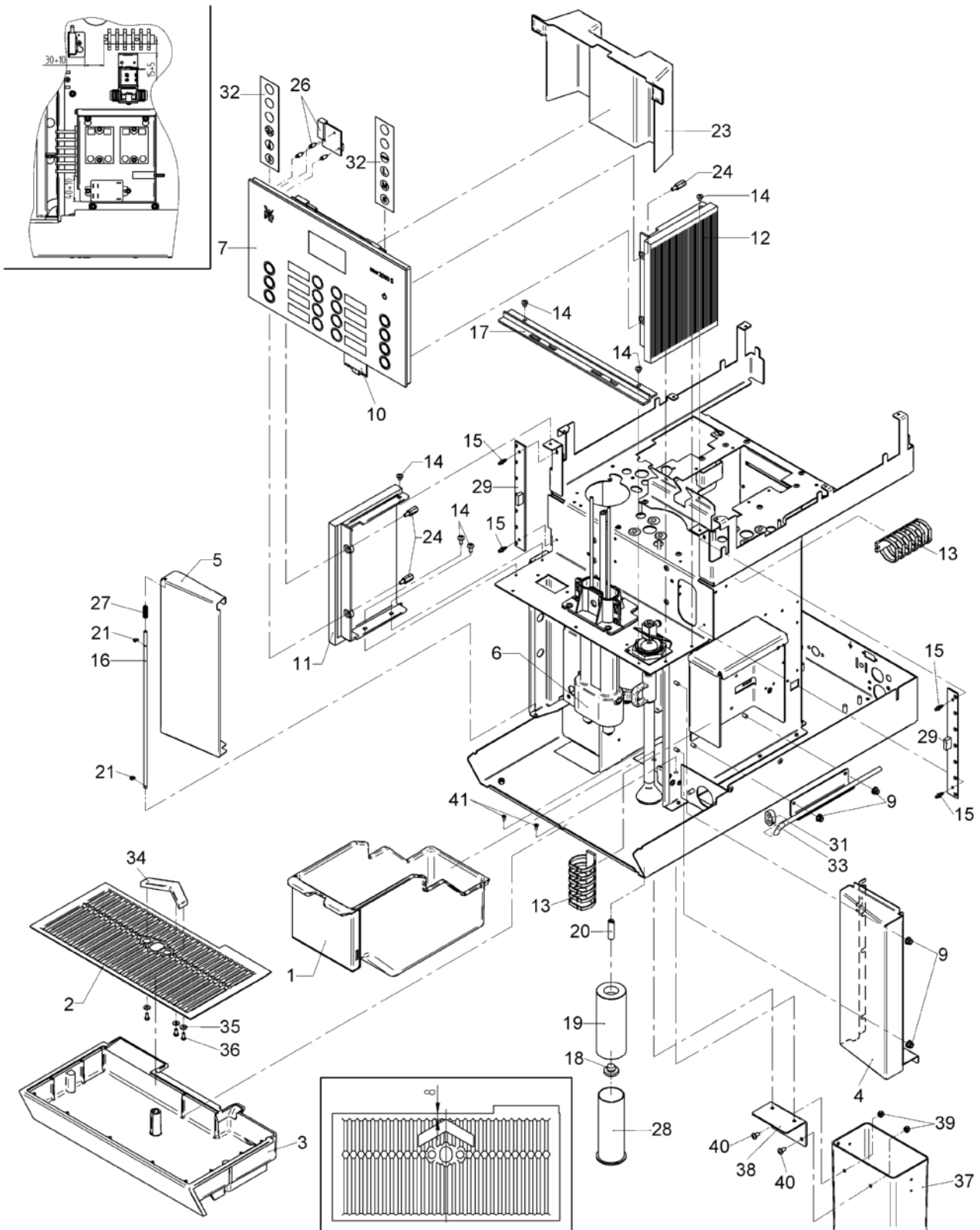
| Pos. | Art.-Nr.<br>Art. no.         | Bezeichnung<br>Tech-Info<br>Service-Info   | Designation<br>Tech-Info<br>Service-Info                              | EA1 | EA2 |
|------|------------------------------|--|---|-----|-----|
| 1    | 33.XXXX.XXXX                 | Hinweis:<br>Maschinendeckel, siehe Zng.<br>Maschinendeckel 2 Produkte u.<br>Maschinendeckel 3 Produkte | Note:<br>top cover, see drawings top cover 2<br>hoppers and 3 hoppers | -   | -   |
| 2    | 33.2257.1000                 | Rückwand   | rear cover  | -   | -   |
| 4    | 33.2631.3000                 | WMF-Logo   | WMF Logo  | -   | -   |
| 5    | 33.2267.4000                 | Seitenwand, rechts   | side cover, right   | -   | -   |
| 5    | 33.2267.4700                 | Seitenwand, rechts<br>Tchibo, schwarz  | side cover, right<br>Tchibo, black                                    | -   | -   |
| 7    | <a href="#">33.2296.6000</a> | Blende, geklebt, rechts  | cover panel, glued, right   | -   | -   |
| 8    | 00.0047.3357                 | Flkpf-Schraube ISO 7045-M 4x<br>5-A2-H-Spv.  | pan head screw ISO 7045-M 4x<br>5-A2-H-Spv.                           | -   | -   |
| 9    | 33.2267.3000                 | Seitenwand, links  | side cover, left  | -   | -   |
| 9    | 33.2267.3700                 | Seitenwand, links, rechts<br>Tchibo, schwarz   | side cover, left, right<br>Tchibo, black                              | -   | -   |
| 10   | <a href="#">33.2296.5000</a> | Blende, geklebt, links   | cover panel, glued, left  | -   | -   |
| 11   | 00.0047.3361                 | Flkpf-Schraube ISO 7045-M 4x<br>8-1.4301-H   | pan head screw ISO 7045-M 4x<br>8-1.4301-H                            | -   | -   |
| 15   | 33.XXXX.XXXX                 | Hinweis:<br>Maschinengestell genietet, siehe<br>Zng. Maschinengestell                                  | Note:<br>base frame riveted, see drawing<br>base frame                | -   | -   |
| 16   | 00.0047.2055                 | Sechskantmutter ISO 4032-M<br>6-1.4301   | hexagonnut ISO 4032-M 6-1.4301  | -   | -   |
| 17   | 00.0047.2257                 | Zahnscheibe DIN 6797-A 6,4-1.4300  | tooth lock washer DIN 6797-A 6,<br>4-1.4300                           | -   | -   |
| 18   | 33.2107.1100                 | Winkel<br>Potentialausgleich   | angle<br>potential equalization currents                              | -   | -   |
| 19   | 00.0047.3414                 | Flkpf-Schraube ISO 7045-M<br>6x20-1.4301-H   | pan head screw ISO 7045-M<br>6x20-1.4301-H                            | -   | -   |



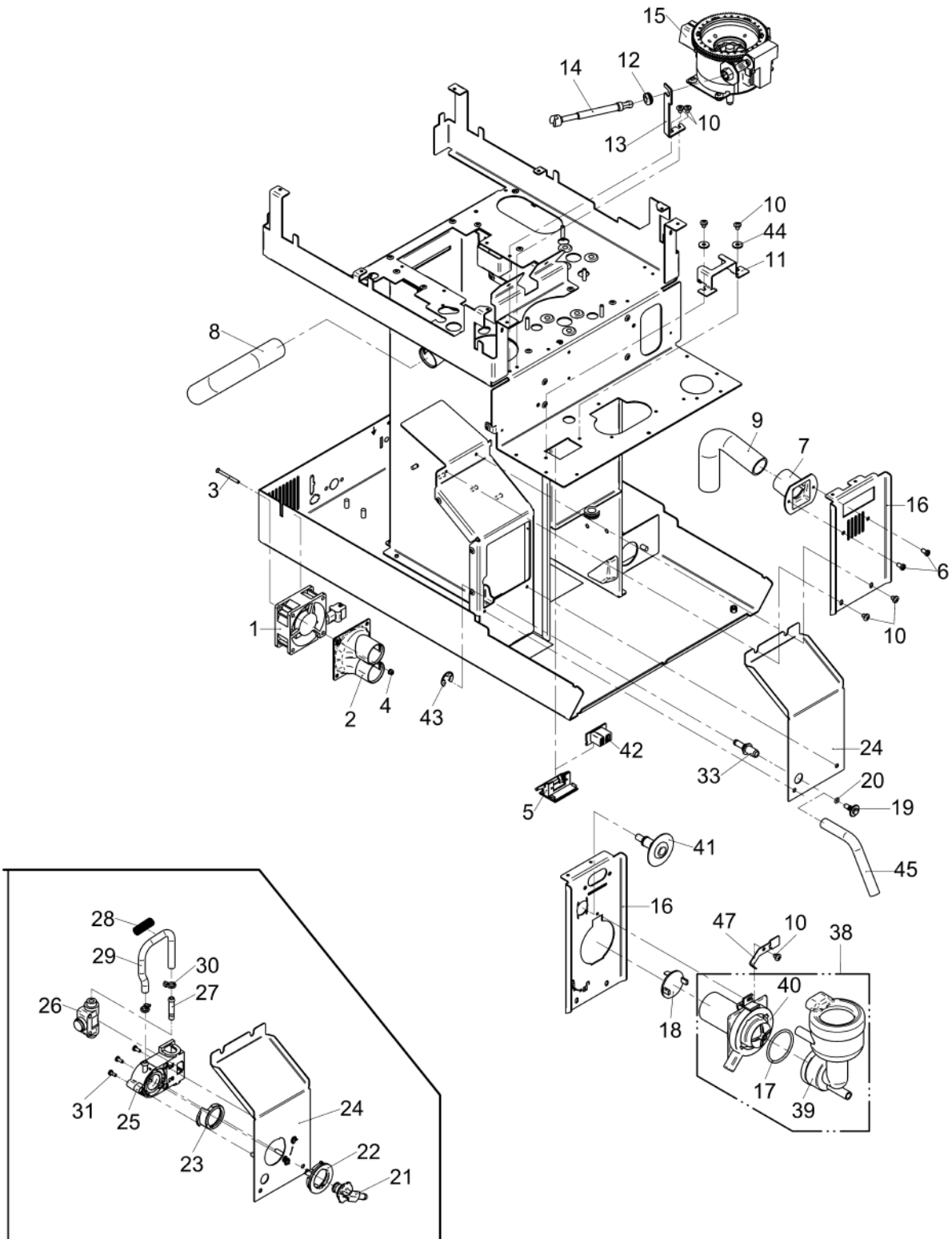
| Pos. | Art.-Nr.<br>Art. no.         | Bezeichnung<br>Tech-Info<br>Service-Info  | Designation<br>Tech-Info<br>Service-Info                       | EA1 | EA2 |
|------|------------------------------|---|--|-----|-----|
| 1    | 33.2272.4100                 | Satzbehälter<br>Satz durch Theke  | grounds container<br>grounds disposal through counter          | -   | -   |
| 1    | <a href="#">33.2272.4000</a> | Satzbehälter  | grounds container  | -   | 1   |
| 2    | <a href="#">33.2465.8000</a> | Tropfschaleneinlage   | drip tray insert   | -   | 1   |
| 3    | 33.2254.9200                 | Tropfschale<br>für USK und UTK, Verschluss im<br>Ablauf entfernen                     | drip tray<br>for USK and UTK, remove stopper in<br>drain       | -   | -   |
| 3    | <a href="#">33.2254.9000</a> | Tropfschale<br>Verschluss im Ablauf entfernen   | drip tray<br>remove stopper in drain                           | -   | 1   |
| 4    | 33.2503.0700                 | Verkleidung, rechts, schwarz<br>Tchibo  | cover, right, black<br>Tchibo                                  | -   | -   |
| 4    | 33.2503.0000                 | Verkleidung, rechts   | cover, right   | -   | -   |
| 5    | 33.2853.4000                 | Tür<br>kpl.   | door<br>compl.   | -   | -   |
| 5    | 33.2853.4700                 | Tür, schwarz, kpl.<br>Tchibo  | door, black, compl.<br>Tchibo                                  | -   | -   |
| 6    | 33.XXXX.XXXX                 | Hinweis:<br>Kaffeeauslauf, siehe Zng.<br>Kaffeeauslauf Mod1                           | Note:<br>coffee outlet, see drawing coffee<br>outlet Mod1      | -   | -   |
| 6    | 33.XXXX.XXXX                 | Hinweis:<br>Heisswasserentnahme - Steamer, s.<br>Zng. Heisswasserentnahme,<br>Steamer | Note:<br>see drawing hot water outlet,<br>automatic steam wand | -   | -   |
| 7    | <a href="#">33.2490.0199</a> | Bedienblende, mit Steuerung<br>programmiert   | operating panel, with CPU<br>programmed                        | 1   | -   |
| 7    | <a href="#">33.2263.3000</a> | Batterie  | battery  | -   | -   |
| 7    | 33.2487.5000                 | LCD-Display   | LCD display  | -   | -   |
| 7    | <a href="#">33.2491.2000</a> | Bedienblende, ohne Steuerung  | operating panel, without CPU                                   | -   | -   |
| 9    | 00.0047.2103                 | Comby-SHB-Mutter-M4-Selbstsiche<br>rnd-A2K  | Comby-SHB-nut-M4-Selbstsichernd<br>-A2K                        | -   | -   |
| 10   | 33.2323.4000                 | Einschubstreifen  | insert strips  | -   | -   |
| 11   | 33.2505.2000                 | Rahmen, links   | frame, left  | -   | -   |
| 11   | 33.2505.2700                 | Rahmen, links, schwarz<br>Tchibo  | frame, left, black<br>Tchibo                                   | -   | -   |



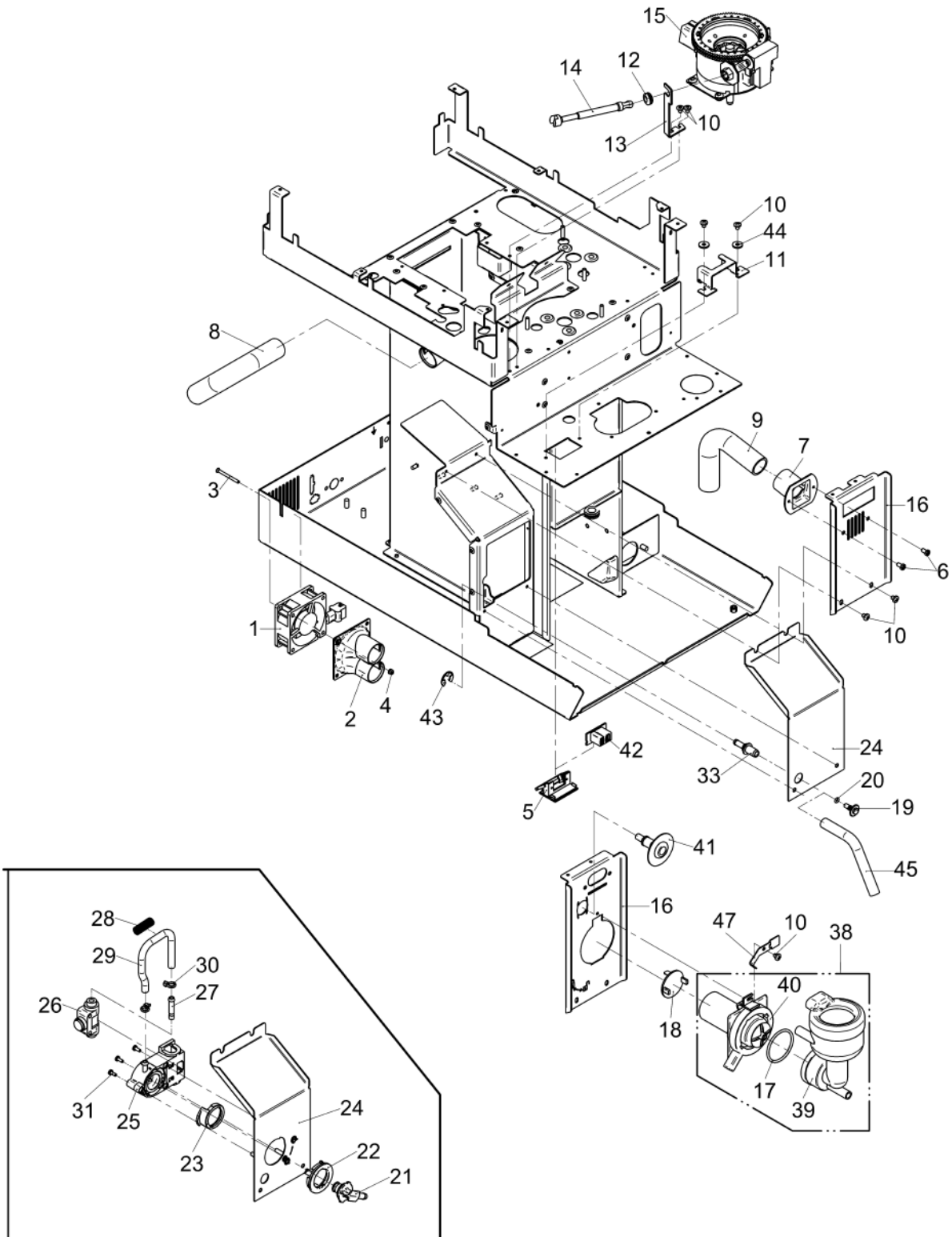
| Pos. | Art.-Nr.<br>Art. no.         | Bezeichnung<br>Tech-Info<br>Service-Info          | Designation<br>Tech-Info<br>Service-Info            | EA1 | EA2 |
|------|------------------------------|---|---|-----|-----|
| 12   | 33.2505.1000                 | Rahmen, rechts                                    | frame, right  | -   | -   |
| 12   | 33.2505.1700                 | Rahmen, rechts, schwarz<br>Tchibo                 | frame, right, black<br>Tchibo                       | -   | -   |
| 13   | 33.2263.9000                 | Kabelkanal, 80 mm, 33x35 mm<br>80 mm              | cable duct, 80 mm, 33x35 mm<br>80 mm                | -   | -   |
| 14   | 00.0047.3356                 | Flkpf-Schraube ISO 7045-M 4x<br>5-1.4301-H        | pan head screw ISO 7045-M 4x<br>5-1.4301-H          | -   | -   |
| 15   | 33.2627.3000                 | Blindniet   | blind rivet   | -   | -   |
| 16   | 33.2506.2000                 | Bolzen, Scharnier, Tür                            | bolt, hinge, door                                   | -   | -   |
| 17   | 33.2505.0000                 | Leiste, Bedienblende                              | strip, operating panel                              | -   | -   |
| 18   | <a href="#">33.1389.3000</a> | Fuß   | foot  | -   | -   |
| 19   | <a href="#">33.2369.0000</a> | Fuß, 100 mm                                       | foot, 100 mm  | -   | -   |
| 19   | 33.2169.8000                 | Fuß, 80 mm  | foot, 80 mm   | -   | -   |
| 20   | 00.0047.2363                 | Gewindestift ISO 4766-M<br>8x30-1.4301            | Threaded pin ISO 4766-M<br>8x30-1.4301              | -   | -   |
| 21   | 00.0047.2242                 | Sicherungsscheibe DIN 6799- 3,<br>2-1.4122        | locking washer DIN 6799- 3,2-1.4122                 | -   | -   |
| 23   | <a href="#">33.2315.9000</a> | Abdeckung   | cover   | -   | -   |
| 24   | <a href="#">33.2270.7000</a> | Abstandsbolzen M4x15 SW7                          | spacer bolt M4x15 SW7                               | -   | -   |
| 26   | 33.2367.0000                 | Leiterplatte, RS232<br>bei serielle Schnittstelle | printed circuit board, RS232<br>at serial interface | -   | -   |
| 27   | <a href="#">33.1245.7000</a> | Feder   | spring  | -   | -   |
| 28   | 33.2802.7000                 | Fuß, für Schiff                                   | stainless steel hulls                               | -   | -   |
| 29   | 33.2464.2100                 | Flachbaugruppe LED<br>Beleuchtung LED             | Flat module LED<br>LED                              | -   | -   |
| 31   | 33.2853.3000                 | Entspannrohr<br>kpl.                              | release pipe<br>compl.                              | -   | -   |



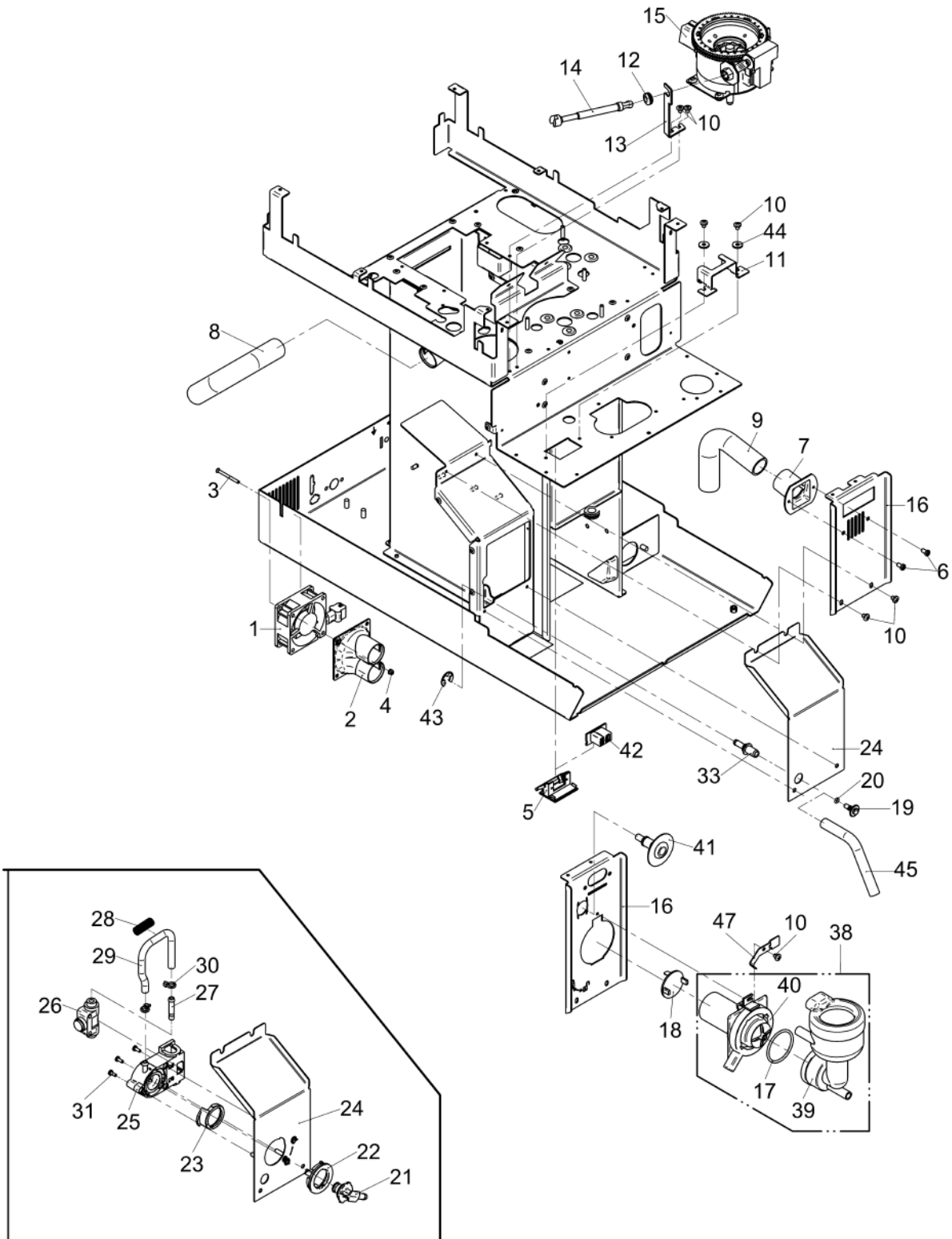
| Pos. | Art.-Nr.<br>Art. no. | Bezeichnung<br>Tech-Info<br>Service-Info                       | Designation<br>Tech-Info<br>Service-Info  | EA1 | EA2 |
|------|----------------------|--|---|-----|-----|
| 31   | 33.2853.3100         | Entspannrohr, kpl.<br>Ausführung 5,5 kW                        | release pipe, compl.<br>5.5 kW model  | -   | -   |
| 32   | 33.XXXX.XXXX         | Hinweis:<br>siehe Zng. Einschubstreifen                        | Note:<br>see drawing module strip   | -   | -   |
| 33   | 33.2575.1000         | Schlauchfixierung<br>bei Supersteam                            | hose attachment<br>for Super Steam  | -   | -   |
| 34   | 33.9394.2200         | Tassenanschlag<br>nur bei Selbstbedienung                      | cup stop<br>for SB mode (self-service) only                                     | -   | -   |
| 35   | 00.0047.2193         | Scheibe ISO<br>7093-1-3-200HV-1.4300                           | washer ISO 7093-1-3-200HV-1.4300  | -   | -   |
| 36   | 00.0047.3651         | EJOT PT-Schraube KA 35x 8-WN<br>1412-4303                      | EJOT PT-screw KA 35x 8-WN<br>1412-4303  | -   | -   |
| 37   | 33.1283.1100         | Rohr<br>Satz durch Theke                                       | pipe<br>grounds disposal through counter  | -   | -   |
| 38   | 33.2321.8000         | Winkel<br>Satz durch Theke                                     | angle<br>grounds disposal through counter                                       | -   | -   |
| 39   | 00.0047.2098         | Sechskantmutter ISO 10511-M<br>4-1.4301<br>Satz durch Theke    | hexagonnut ISO 10511-M 4-1.4301<br>grounds disposal through counter             | -   | -   |
| 40   | 00.0047.3361         | Flkpf-Schraube ISO 7045-M 4x<br>8-1.4301-H<br>Satz durch Theke | pan head screw ISO 7045-M 4x<br>8-1.4301-H<br>grounds disposal through counter  | -   | -   |
| 41   | 00.0047.3105         | Senkschraube ISO 7046-2-M 3x<br>6-1.4301-H<br>Satz durch Theke | counter sunk screw ISO 7046-2-M 3x<br>6-1.4<br>grounds disposal through counter | -   | -   |



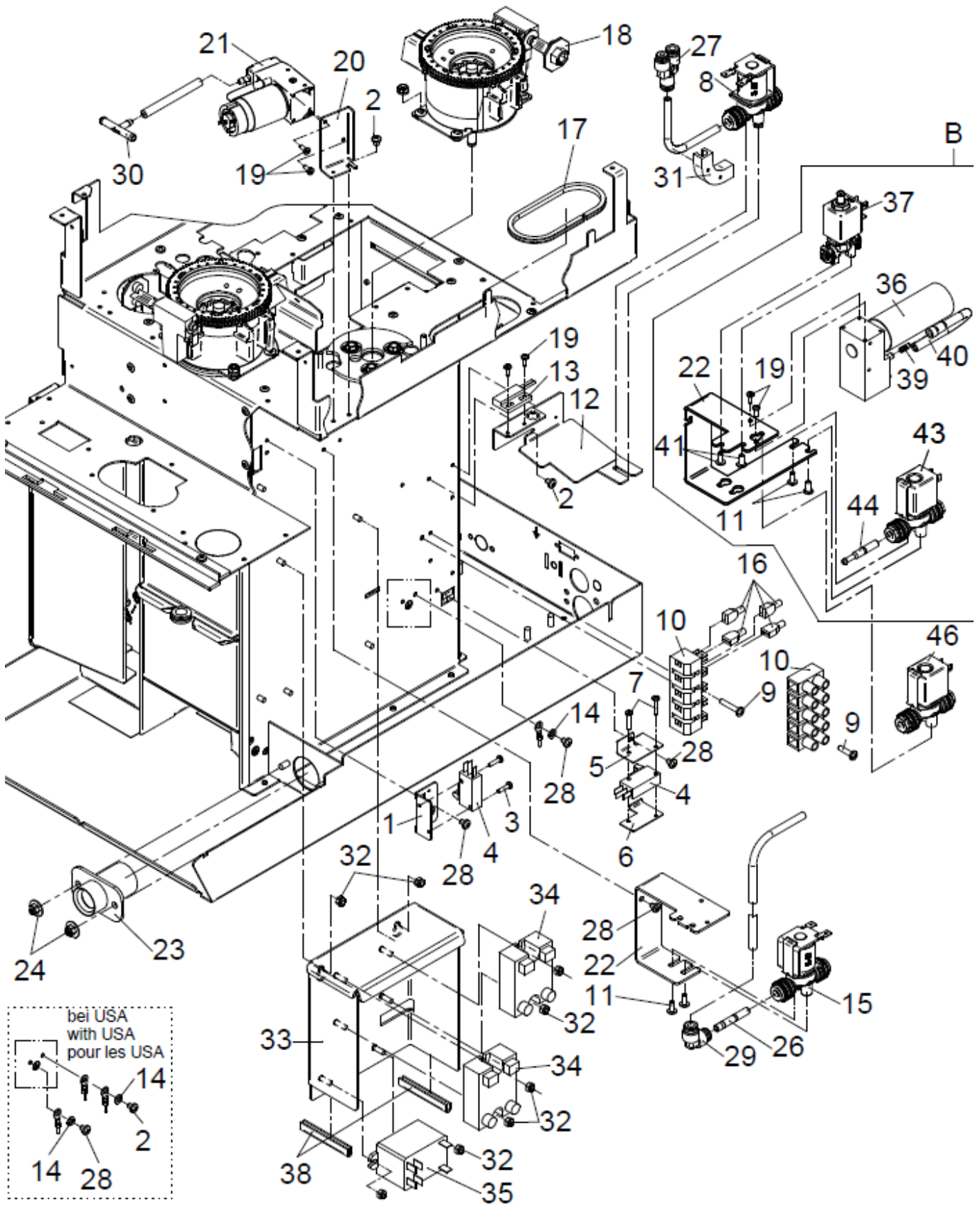
| Pos. | Art.-Nr.<br>Art. no.         | Bezeichnung<br>Tech-Info<br>Service-Info   | Designation<br>Tech-Info<br>Service-Info            | EA1 | EA2 |
|------|------------------------------|--|---|-----|-----|
| 1    | <a href="#">33.2588.3000</a> | Ventilator<br>kpl.                         | fan<br>compl.                                       | -   | -   |
| 2    | 33.2474.7000                 | Haube                                      | cover   | -   | -   |
| 3    | 00.0047.3108                 | Senkschraube ISO 7046-2-M<br>3x35-1.4301-H | counter sunk screw ISO 7046-2-M<br>3x35-1.4         | -   | -   |
| 4    | 00.0047.2097                 | Sechskantmutter ISO 10511-M<br>3-1.4301    | hexagonnut ISO 10511-M 3-1.4301                     | -   | -   |
| 5    | 33.2246.8000                 | Gehäuse<br>KD-Anschluss                    | housing<br>service connection                       | -   | -   |
| 6    | 00.0047.3627                 | EJOT PT-Schraube KA 40x 8-WN<br>1412-A2    | EJOT PT-screw KA 40x 8-WN<br>1412-A2                | -   | -   |
| 7    | 33.4050.8000                 | Haube                                      | cover   | -   | -   |
| 8    | 00.0048.0042                 | Ablaufschlauch DN 19 PP grau<br>500 mm     | discharge hose DN 19 PP grey<br>500 mm              | -   | -   |
| 9    | 00.0048.0042                 | Ablaufschlauch DN 19 PP grau<br>500 mm     | discharge hose DN 19 PP grey<br>500 mm              | -   | -   |
| 10   | 00.0047.3356                 | Flkpf-Schraube ISO 7045-M 4x<br>5-1.4301-H | pan head screw ISO 7045-M 4x<br>5-1.4301-H          | -   | -   |
| 11   | 33.2290.3000                 | Winkel<br>KD-Anschluss                     | angle<br>service connection                         | -   | -   |
| 12   | 33.1473.8000                 | Durchführungstülle                         | rubber funnel                                       | -   | -   |
| 13   | 33.2505.7000                 | Winkel<br>Halter Mühleneinstellung         | angle<br>holder, grinder setting                    | -   | -   |
| 14   | 33.2504.9000                 | Bolzen<br>Mühleneinstellung                | bolt<br>grinder setting                             | -   | -   |
| 15   | 33.XXXX.XXXX                 | Hinweis:<br>Mühle, siehe Zng. Mühle(n)     | Note:<br>see drawing grinder                        | -   | -   |
| 17   | <a href="#">33.2381.7000</a> | G-Ring 37,60x2,69 MVQ                      | O-ring, 37.60x2.69 MVQ                              | -   | -   |
| 18   | 33.2465.1100                 | Entstörung<br>Mixermotor, Choc             | interference suppression<br>Mixer motor, Choc model | -   | -   |
| 19   | 33.2508.8000                 | Verschlusschraube<br>Entkalkung            | locking screw<br>descaling                          | -   | -   |
| 20   | 33.0398.5000                 | O-Ring 2,90x1,78 EPDM                      | O-ring, 2.90x1.78 EPDM                              | -   | -   |



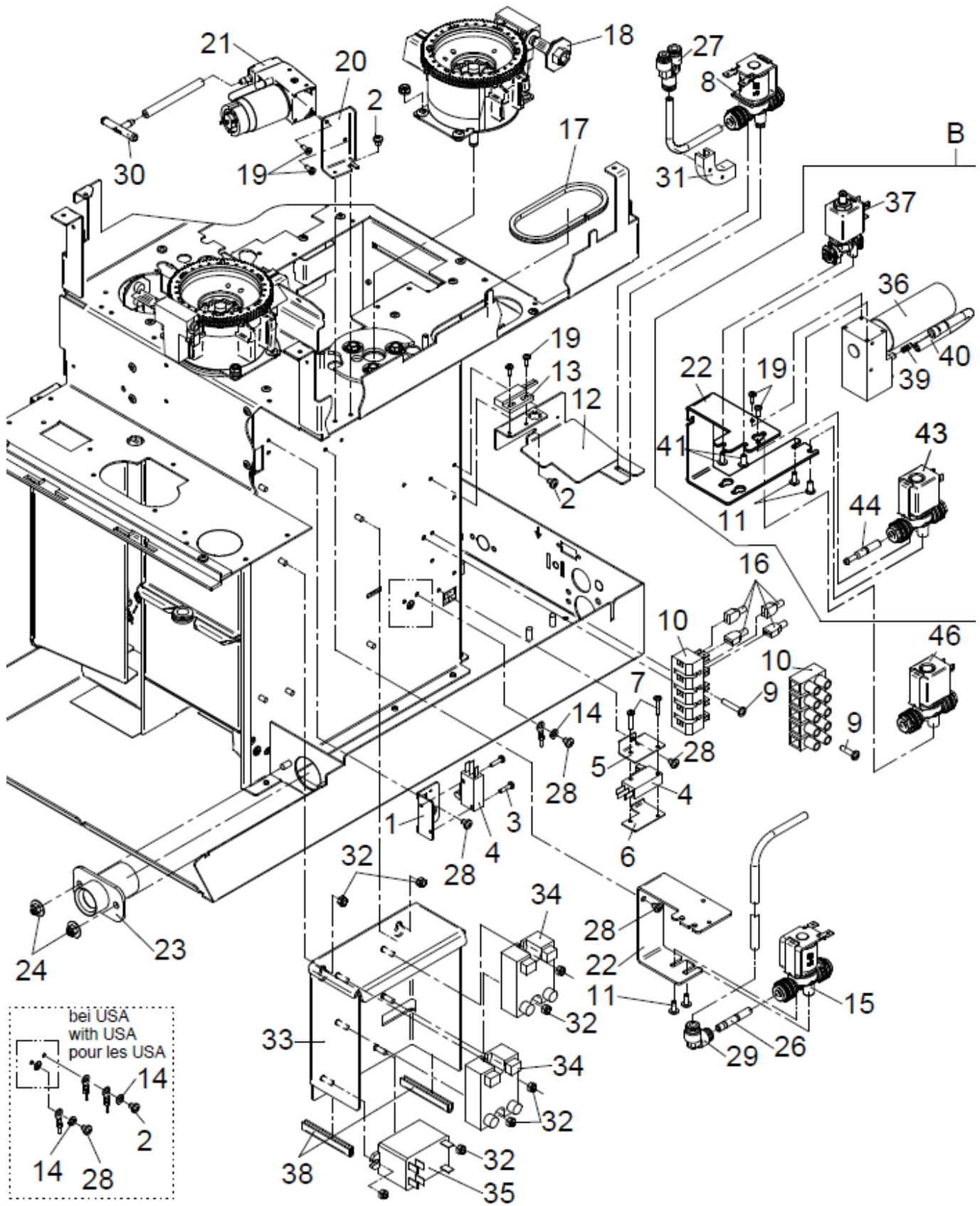
| Pos. | Art.-Nr.<br>Art. no.         | Bezeichnung<br>Tech-Info<br>Service-Info                      | Designation<br>Tech-Info<br>Service-Info                    | EA1 | EA2 |
|------|------------------------------|---|---|-----|-----|
| 21   | <a href="#">33.4073.5000</a> | Schlauchadapter_Plug_and_Clean<br>_2K                         | Hose_Connector_Plug_and_Clean<br>_2K                        | -   | -   |
| 22   | <a href="#">33.2308.4000</a> | Abdeckung<br>mit Plug&Clean                                   | cover<br>with Plug&Clean                                    | -   | -   |
| 23   | <a href="#">33.2308.5000</a> | Nocke<br>mit Plug&Clean                                       | cam<br>with Plug&Clean                                      | -   | -   |
| 24   | 33.2506.5000                 | Blech, Abdeckung<br>mit Plug&Clean                            | plate, cover<br>with Plug&Clean                             | -   | -   |
| 24   | 33.2506.5100                 | Blech, Abdeckung<br>ohne Plug&Clean                           | plate, cover<br>without Plug&Clean                          | -   | -   |
| 24   | 33.2506.5200                 | Blech, Abdeckung<br>Active Milk                               | plate, cover<br>Active Milk                                 | -   | -   |
| 25   | <a href="#">33.2308.3000</a> | Gehäuse<br>mit Plug&Clean                                     | housing<br>with Plug&Clean                                  | -   | -   |
| 26   | <a href="#">33.2308.6000</a> | Ventil 2/2 NW4,0 manuell<br>mit Plug&Clean                    | valve 2/2 NW4.0, manual<br>with Plug&Clean                  | -   | -   |
| 27   | <a href="#">33.2308.7000</a> | Nippel, Schlauch<br>mit Plug&Clean                            | plug, hose<br>with Plug&Clean                               | -   | -   |
| 28   | <a href="#">33.0190.3000</a> | Feder<br>mit Plug&Clean                                       | spring<br>with Plug&Clean                                   | -   | -   |
| 29   | 00.0048.4948                 | Schlauch 5,0x1,5 Silikon transparent<br>mit Plug&Clean, 95 mm | tube 5,0x1,5 silicone transparent<br>with Plug&Clean, 95 mm | -   | -   |
| 30   | <a href="#">33.0649.3000</a> | Kabelbinder   | cable clip  | -   | -   |
| 31   | 00.0047.3318                 | Flkopf-Schraube ISO 7045-M 3x<br>8-1.4301-H                   | pan head screw ISO 7045-M 3x<br>8-1.4301-H                  | -   | -   |
| 33   | 33.2508.7000                 | Nippel<br>Entkalkung  | plug<br>descaling   | -   | -   |
| 38   | <a href="#">33.2820.1000</a> | Mixer, kpl.<br>bei Ausführung Choc                            | mixer, compl.<br>with Choc model                            | -   | 1   |
| 39   | <a href="#">33.2318.0000</a> | Mixerbecher   | mixer bowl  | -   | -   |
| 40   | <a href="#">33.2317.9000</a> | Motor, mit Impeller   | motor, with impeller  | -   | -   |
| 41   | <a href="#">33.2269.1000</a> | Schlauchanschluss<br>bei Ausführung Choc                      | hose connector<br>with Choc model, compl.                   | -   | 1   |
| 42   | 33.2260.4100                 | USB-Anschluss<br>Master-Slave                                 | USB connection<br>Master-Slave                              | -   | -   |



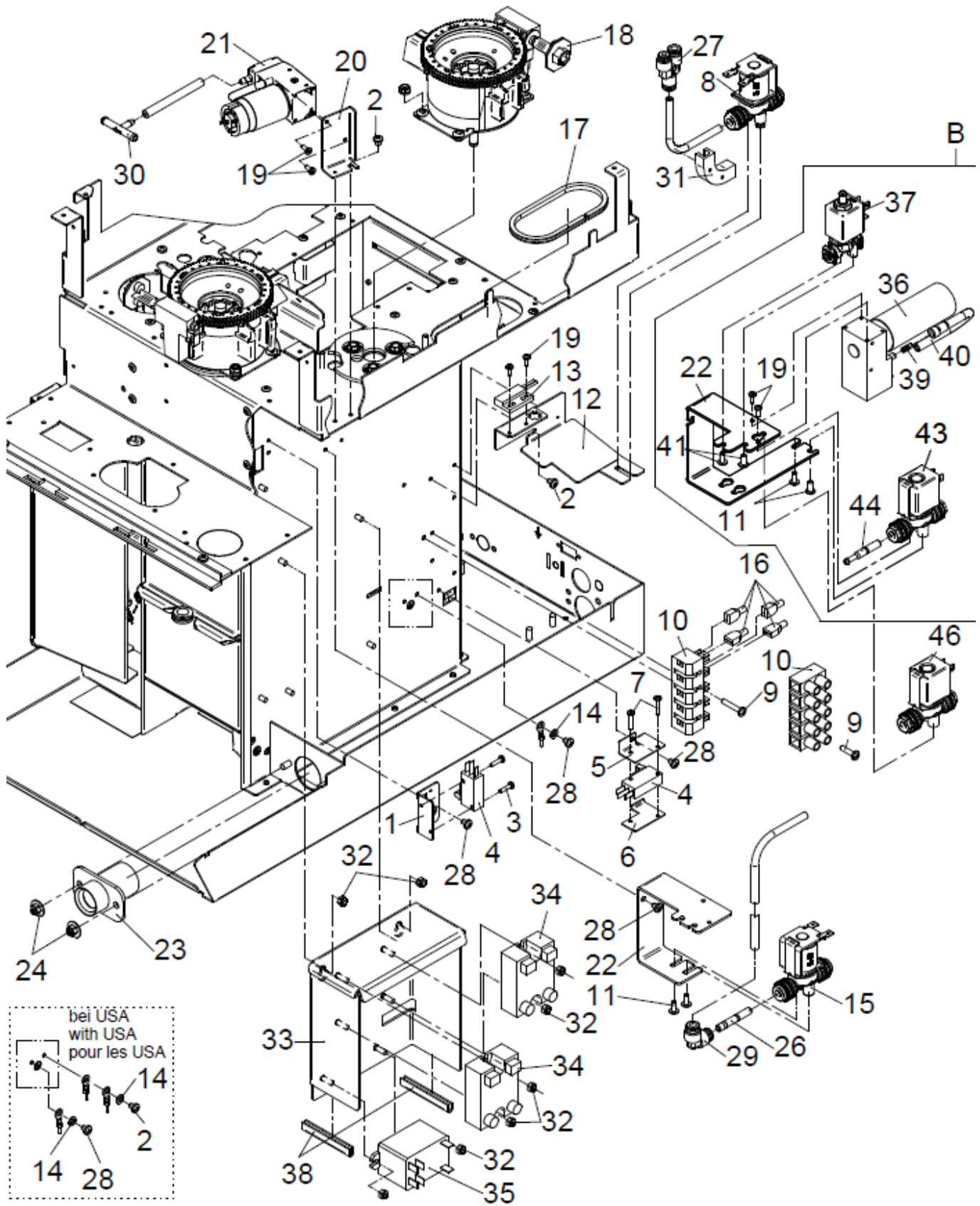
| <b>Pos.</b> | <b>Art.-Nr.<br/>Art. no.</b> | <b>Bezeichnung<br/>Tech-Info<br/>Service-Info</b> | <b>Designation<br/>Tech-Info<br/>Service-Info</b> | <b>EA1</b> | <b>EA2</b> |
|-------------|------------------------------|---|---|------------|------------|
| 43          | 00.0047.2247                 | Sicherungsscheibe DIN 6799-9-4122                 | locking washer DIN 6799- 9-4122                   | -          | -          |
| 44          | 00.0047.2189                 | Scheibe 4,3 DIN 7349-1.4301                       | washer 4,3 DIN 7349-1.4301                        | -          | -          |
| 45          | 00.0048.0064                 | Schlauch 8,0x2,0 Silicon<br>1500 mm, für Service  | tube 8,0x2,0 Silicon<br>1500 mm, for service      | -          | -          |
| 47          | 33.2587.0000                 | Winkel<br>Mixerbecher, bei Ausführung Choc        | angle<br>mixer bowl, with Choc model              | -          | -          |



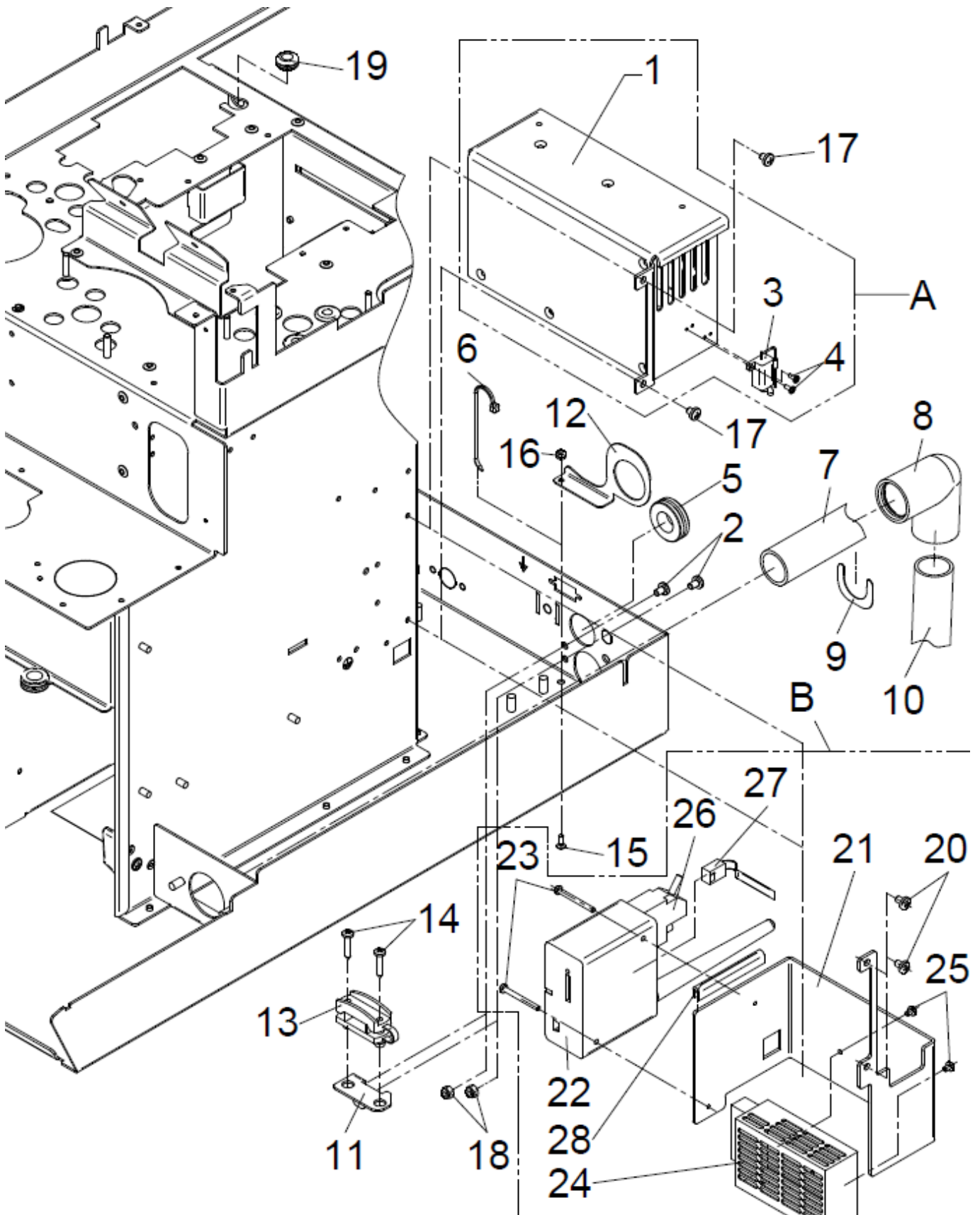
| Pos. | Art.-Nr.<br>Art. no.         | Bezeichnung<br>Tech-Info<br>Service-Info                    | Designation<br>Tech-Info<br>Service-Info               | EA1 | EA2 |
|------|------------------------------|---|--|-----|-----|
| 1    | 33.2267.0000                 | Winkel, Mikroschalter                                       | angle, micro switch                                    | -   | -   |
| 2    | 00.0047.3356                 | Flkpf-Schraube ISO 7045-M 4x 5-1.4301-H                     | pan head screw ISO 7045-M 4x 5-1.4301-H                | -   | -   |
| 3    | 00.0047.3321                 | Flkpf-Schraube ISO 7045-M 3x12-1.4301-H                     | pan head screw ISO 7045-M 3x12-1.4301-H                | -   | -   |
| 4    | <a href="#">33.2217.2000</a> | Mikroschalter   | micro switch   | -   | 1   |
| 5    | 33.2266.8000                 | Winkel  | angle  | -   | -   |
| 6    | 33.2266.9000                 | Winkel  | angle  | -   | -   |
| 7    | 00.0047.3322                 | Flkpf-Schraube ISO 7045-M 3x16-1.4301-H                     | pan head screw ISO 7045-M 3x16-1.4301-H                | -   | -   |
| 8    | 33.XXXX.XXXX                 | Hinweis:<br>Entspannventil, siehe Zeichnung<br>Magnetventil | Note:<br>pressure release valve, see drawing<br>valves | -   | -   |
| 9    | 00.0047.3370                 | Flkpf-Schraube ISO 7045-M 4x22-1.4301-H                     | pan head screw ISO 7045-M 4x22-1.4301-H                | -   | -   |
| 9    | 00.0047.3365                 | Flkpf-Schraube ISO 7045-M 4x16-1.4301-H                     | pan head screw ISO 7045-M 4x16-1.4301-H                | -   | -   |
| 10   | 33.1636.9000                 | Steck-Schraubleiste<br>3-polig, nur bei 3,0 kW              | terminal strip<br>3-pin, only for 3.0 kW model         | -   | -   |
| 10   | 33.2069.1000                 | Steckerleiste<br>5-polig, nur bei 5,5 kW                    | plug strip<br>5-pin, only for 5.5 kW model             | -   | -   |
| 10   | 33.0666.4000                 | Klemmleiste<br>nur bei 5,5 kW, USA/Japan                    | clamping strip<br>only for 5.5 kW model, USA/Japan     | -   | -   |
| 11   | 00.0047.3653                 | EJOT PT-Schraube KA 40x10 WN 1411-A2                        | EJOT PT-screw KA 40x10 WN 1411-A2                      | -   | -   |
| 12   | 33.2507.0000                 | Winkel, Entspannventil<br>Entspannventil-Reedsensor         | angle, release valve<br>release valve, reed sensor     | -   | -   |
| 13   | <a href="#">33.2262.6000</a> | Kabelsatz, Reedschalter                                     | cable set, reed switch                                 | -   | 1   |
| 14   | 00.0047.2251                 | Zahnscheibe DIN 6797-A 4,3-1.4300                           | tooth lock washer DIN 6797-A 4, 3-1.4300               | -   | -   |
| 15   | 33.XXXX.XXXX                 | Hinweis:<br>Schäumerspülventil, siehe Zng.<br>Magnetventil  | Note:<br>foamer rinsing valve, see drawing<br>valves   | -   | -   |
| 16   | 33.2218.5000                 | Abdeckkappe<br>6,3 x 0,8 mm, vollisoliert                   | cap<br>6.3 x 0.8 mm, fully insulated                   | -   | -   |



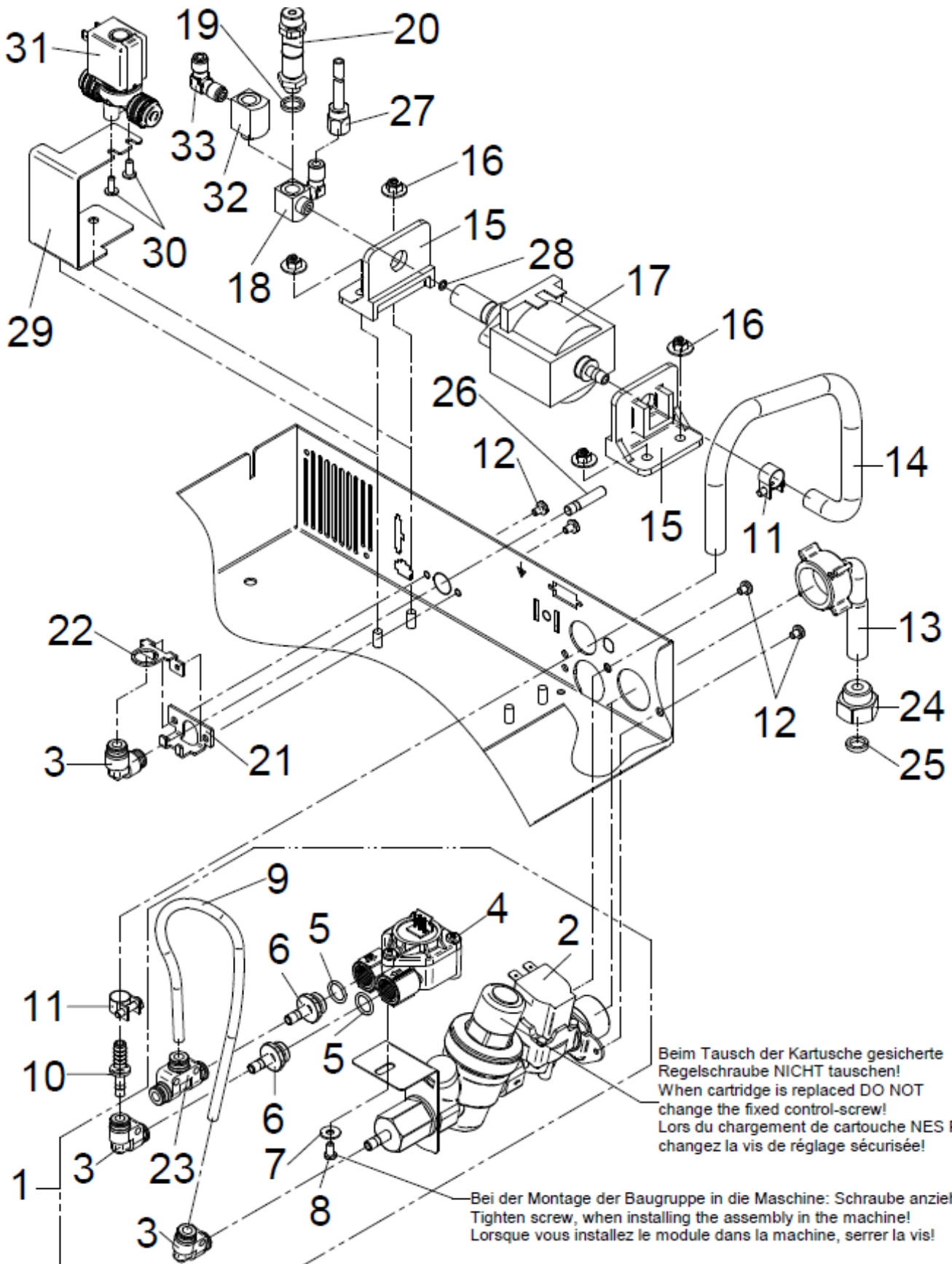
| Pos. | Art.-Nr.<br>Art. no.         | Bezeichnung<br>Tech-Info<br>Service-Info                       | Designation<br>Tech-Info<br>Service-Info                               | EA1 | EA2 |
|------|------------------------------|--|--|-----|-----|
| 17   | 00.0048.0090                 | Kantenschutz PE natur für Bl.st.1, 3-2,2                       | edge protection PE natur 1,3-2,2                                       | -   | -   |
| 18   | 33.XXXX.XXXX                 | Hinweis:<br>siehe Zeichnung Mühle(n)                           | Note:<br>see drawing grinder   | -   | -   |
| 19   | 00.0047.3316                 | Flkpf-Schraube ISO 7045-M 3x 6-1.4301-H                        | pan head screw ISO 7045-M 3x 6-1.4301-H                                | -   | -   |
| 21   | 33.2483.1000                 | Blende 0,3 mm, mit Schlauch mit Luftblende 0,3 mm              | aperture 0.3 mm, with hose with 0.3 mm air orifice                     | -   | -   |
| 21   | <a href="#">33.2323.0300</a> | Luftpumpe mit Blende 0,3 mm, nur bei Auto Milk und Dual Milk   | air pump with orifice 0.3 mm, Automilk and Dual Milk                   | -   | 1   |
| 23   | <a href="#">33.2297.8000</a> | Kupplungstülle   | coupling grommet   | -   | -   |
| 24   | 00.0047.2101                 | Comby-SHB-Mutter-M5-Selbstsichernd-A2K                         | Comby-SHB-nut-M5-Selbstsichernd-A2K                                    | -   | -   |
| 26   | 33.2410.8000                 | Blende 0,8 mm nur bei Schäumerspülung                          | aperture 0.8 mm for foamer rinsing only                                | -   | -   |
| 27   | 33.2293.4000                 | Steckanschluss Y 6-6-4   | plug-in connection Y 6-6-4   | -   | -   |
| 28   | 00.0047.3355                 | Flkpf-Schraube ISO 7045-M 4x 4-1.4301-H                        | pan head screw ISO 7045-M 4x 4-1.4301-H                                | -   | -   |
| 29   | <a href="#">33.2021.5000</a> | Steckanschluss L 6-6   | plug-in connection L 6-6   | -   | -   |
| 30   | 33.2290.9100                 | Schlauchverbinder T Blende 3,0 nur bei Auto Milk und Dual Milk | hose coupling T restrictor 3,0 only for Auto Milk and Dual Milk model  | -   | -   |
| 31   | 33.2229.5000                 | Schlauchstütze 8er   | hose support 8mm   | -   | -   |
| 32   | 00.0047.2098                 | Sechskantmutter ISO 10511-M 4-1.4301                           | hexagonnut ISO 10511-M 4-1.4301  | -   | -   |
| 34   | <a href="#">33.9382.0000</a> | Solid State Relais 50 A  | solid state relay 50 A   | -   | -   |
| 35   | <a href="#">33.2384.4000</a> | Leistungsrelais 30A  | power relay 30A  | -   | -   |
| 36   | <a href="#">33.2595.0000</a> | Luftpumpe 3 bar, nur bei Dual Milk und Super Steam ab Mod. 2   | air pump 3 bar, only for Dual Milk and Super Steam model, as of mod. 2 | -   | -   |
| 36   | 33.2860.0000                 | Blende 0,6 mm, mit Schlauch                                    | aperture 0.6 mm, with hose   | -   | -   |
| 37   | 33.2273.6000                 | Ventil 2/2 NW2,5 Hub 0,75 Ventil 14                            | valve 2/2 NW2.5 stroke 0.75 valve 14                                   | -   | -   |



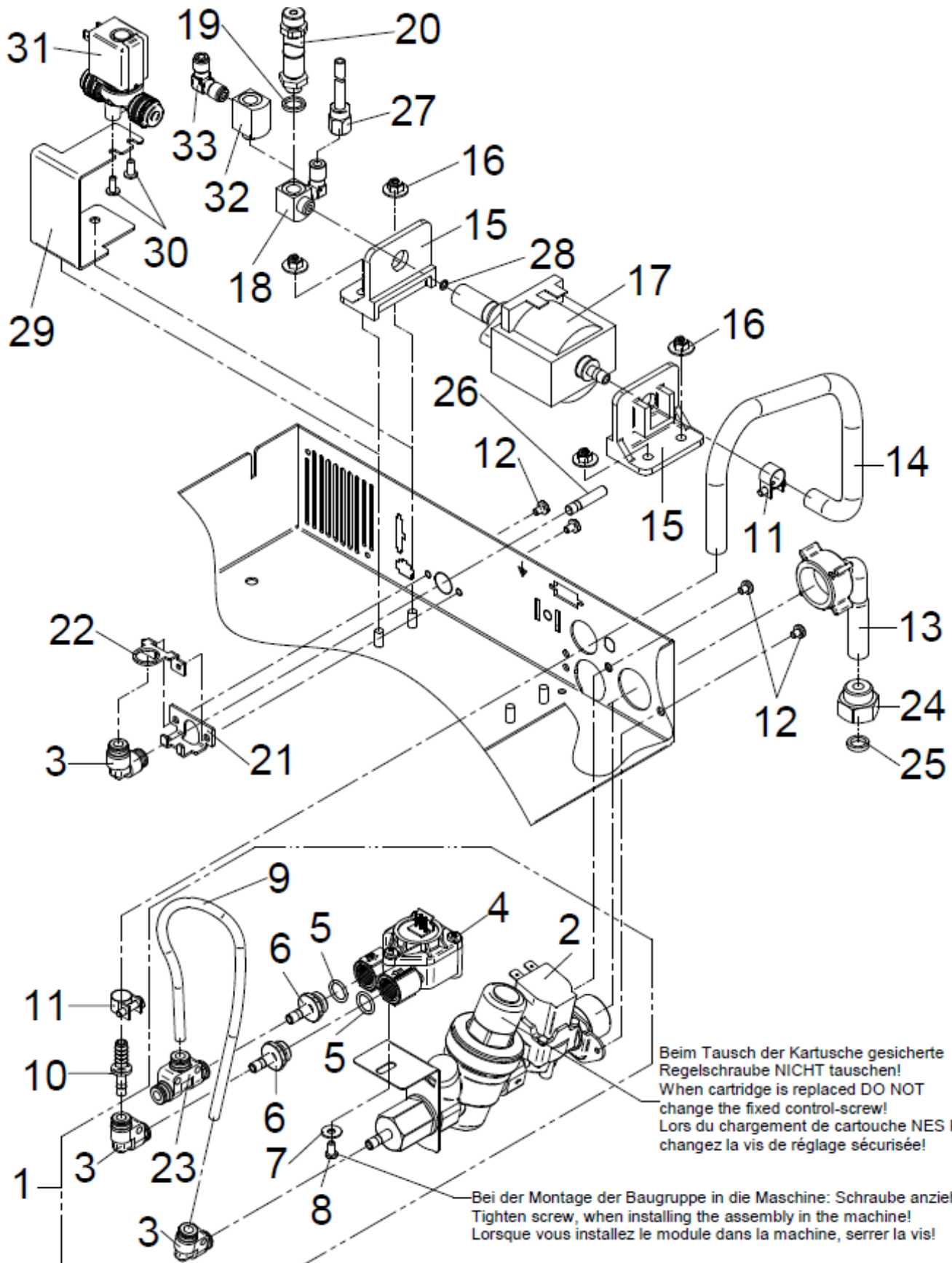
| Pos. | Art.-Nr.<br>Art. no.         | Bezeichnung<br>Tech-Info<br>Service-Info                            | Designation<br>Tech-Info<br>Service-Info  | EA1 | EA2 |
|------|------------------------------|---|---|-----|-----|
| 37   | <a href="#">33.4011.6000</a> | Ventil 2/2 NW1,4 Hub 1,0 NO<br>inkl. Spule, für Auto Steam ab Mod.2 | valve 2/2 NW1.4 stroke 1.0 NO<br>including solenoid, for Auto Steam<br>after mod. 2 | -   | -   |
| 38   | 00.0048.0093                 | Kantenschutz PVC schwarz Klemb.<br>1,0 mm                           | edge protection PVC black clamp. 1,<br>0 mm   | -   | -   |
| 41   | 00.0047.3651                 | EJOT PT-Schraube KA 35x 8-WN<br>1412-4303                           | EJOT PT-screw KA 35x 8-WN<br>1412-4303  | -   | -   |
| 43   | 33.XXXX.XXXX                 | Hinweis:<br>Luftventil Super Steam, s. Zng.<br>Magnetventil         | Note:<br>air input valve Super Steam, see<br>drawing valves                         | -   | -   |
| 44   | 33.2468.6000                 | Nippel, Schlauch  | plug, hose  | -   | -   |
| 46   | <a href="#">33.1445.4100</a> | Ventil 3/2 NW2,0<br>mit Active Milk                                 | valve 3/2 NW2.0<br>with Active Milk   | -   | -   |
| B    | 33.XXXX.XXXX                 | Hinweis:<br>Teile für Super Steam ab Mod.2                          | Note:<br>parts for Super Steam from Mod. 2  | -   | -   |



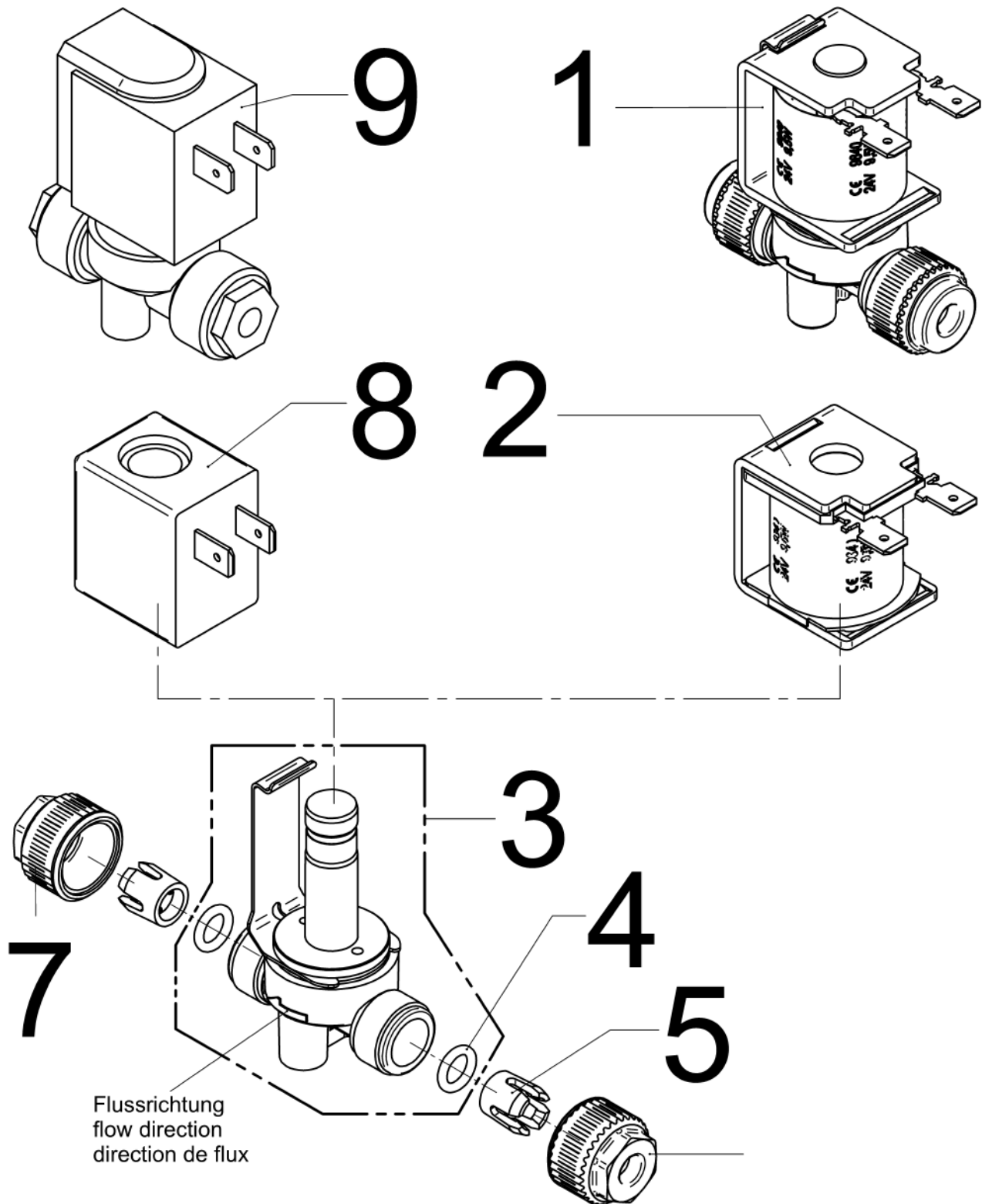
| Pos. | Art.-Nr.<br>Art. no.         | Bezeichnung<br>Tech-Info<br>Service-Info        | Designation<br>Tech-Info<br>Service-Info     | EA1 | EA2 |
|------|------------------------------|---|--|-----|-----|
| 1    | <a href="#">33.2260.1300</a> | Stromversorgung, TPE<br>ohne Freilauf           | power supply, TPE<br>without freewheel       | -   | 1   |
| 3    | <a href="#">33.2262.2000</a> | Freilaufkreis                                   | free wheeling circuit                        | -   | 1   |
| 4    | 00.0047.3618                 | EJOT PT-Schraube KA 22x 6-WN<br>1411-A2         | EJOT PT-screw KA 22x 6-WN<br>1411-A2         | -   | -   |
| 5    | 33.2264.4000                 | Kabeldurchführung<br>3,0 kW                     | cablE pass-through<br>3.0 kW                 | -   | -   |
| 5    | 33.2375.3000                 | Durchführungstülle<br>bei 5,5 kW                | rubber funnel<br>with 5.5 kW                 | -   | -   |
| 6    | <a href="#">33.0649.3000</a> | Kabelbinder                                     | cablE clip                                   | -   | -   |
| 7    | 00.0048.0042                 | Ablaufschlauch DN 19 PP grau                    | discharge hose DN 19 PP grey                 | -   | -   |
| 8    | <a href="#">33.2165.8000</a> | Verbindungsstück, gewinkelt                     | connector piece, tilted                      | -   | -   |
| 9    | 33.2442.0000                 | Sicherungsblech<br>nicht bei USA                | retainer plate<br>not for USA                | -   | -   |
| 10   | 00.0048.0042                 | Ablaufschlauch DN 19 PP grau                    | discharge hose DN 19 PP grey                 | -   | -   |
| 11   | 33.2507.3000                 | Winkel<br>Zugentlastung, bei 5,5 kW             | angle<br>strain relief, for 5.5 kW           | -   | -   |
| 13   | 33.0589.7000                 | Schelle, Deckel<br>bei 5,5 kW                   | clamp, lid<br>with 5.5 kW                    | -   | -   |
| 14   | 00.0047.1912                 | Blech-Schraube ISO 7049-ST3,<br>5x19-C-H-1.4301 | Sh.metal screw ISO 7049-ST3,<br>5x19-C-H-1.4 | -   | -   |
| 15   | 00.0047.3104                 | Senkschraube ISO 7046-2-M 3x<br>8-A2-H          | counter sunk screw ISO 7046-2-M 3x<br>8-A2-  | -   | -   |
| 16   | 00.0047.2097                 | Sechskantmutter ISO 10511-M<br>3-1.4301         | hexagonnut ISO 10511-M 3-1.4301              | -   | -   |
| 17   | 00.0047.3355                 | Flügel-Schraube ISO 7045-M 4x<br>4-1.4301-H     | pan head screw ISO 7045-M 4x<br>4-1.4301-H   | -   | -   |
| 18   | 00.0047.2098                 | Sechskantmutter ISO 10511-M<br>4-1.4301         | hexagonnut ISO 10511-M 4-1.4301              | -   | -   |
| 19   | 33.1473.8000                 | Durchführungstülle                              | rubber funnel                                | -   | -   |



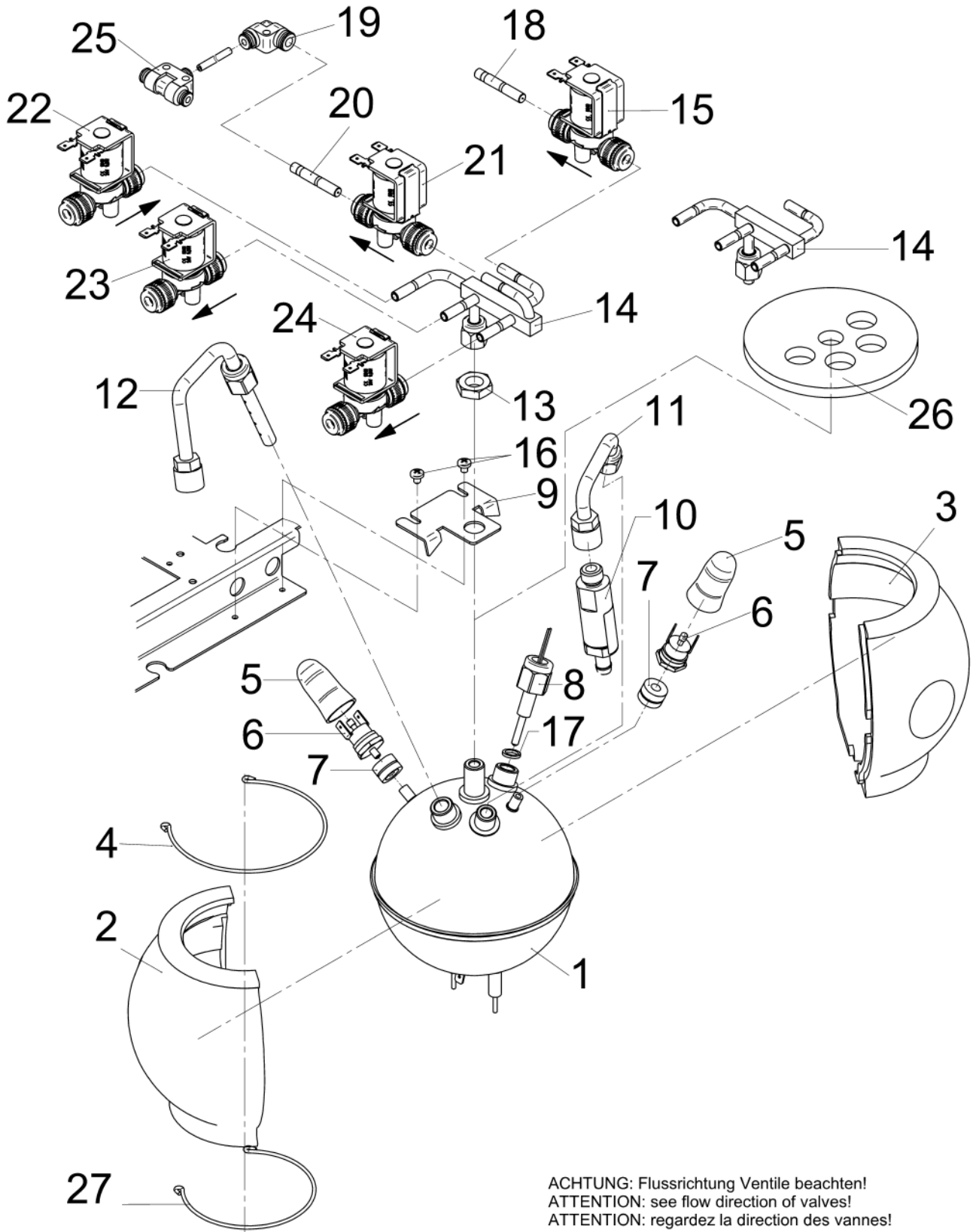
| Pos. | Art.-Nr.<br>Art. no.         | Bezeichnung<br>Tech-Info<br>Service-Info   | Designation<br>Tech-Info<br>Service-Info   | EA1 | EA2 |
|------|------------------------------|--|--|-----|-----|
| 1    | <a href="#">33.2822.6199</a> | Sicherheitsgruppe<br>kpl.                  | safety assembly<br>compl.                  | -   | -   |
| 2    | <a href="#">33.2822.7199</a> | Sicherheitsgruppe                          | safety assembly                            | -   | 1   |
| 3    | <a href="#">33.2021.5000</a> | Steckanschluss L 6-6                       | plug-in connection L 6-6                   | -   | 1   |
| 4    | <a href="#">33.2263.8100</a> | Durchflussmengenmesser                     | flow meter                                 | -   | 1   |
| 5    | <a href="#">33.0395.4000</a> | O-Ring 10,82x1,78 EPDM                     | O-ring, 10.82x1.78 EPDM                    | -   | -   |
| 6    | <a href="#">33.2257.9000</a> | Nippel                                     | plug                                       | -   | -   |
| 7    | 00.0047.2197                 | Scheibe ISO<br>7093-1-4-200HV-1.4301       | washer ISO 7093-1-4-200HV-1.4301           | -   | -   |
| 8    | 00.0047.3627                 | EJOT PT-Schraube KA 40x 8-WN<br>1412-A2    | EJOT PT-screw KA 40x 8-WN<br>1412-A2       | -   | -   |
| 9    | 00.0048.4956                 | Schlauch 4,0x1,0 PTFE                      | tube 4,0x1,0 PTFE                          | -   | -   |
| 10   | 33.2298.4000                 | Nippel                                     | plug                                       | -   | -   |
| 11   | <a href="#">33.2299.6000</a> | Schlauchschelle                            | hose clip                                  | -   | -   |
| 12   | 00.0047.3356                 | Flkpf-Schraube ISO 7045-M 4x<br>5-1.4301-H | pan head screw ISO 7045-M 4x<br>5-1.4301-H | -   | -   |
| 13   | 33.0302.5000                 | Dichtring, 24x17x2<br>für 3/4              | sealing ring, 24x17x2<br>for 3/4           | -   | -   |
| 13   | 33.0063.9000                 | Dichtring, 14,1x10x2<br>für 3/8            | sealing ring, 14,1x10x2<br>for 3/8         | -   | -   |
| 13   | <a href="#">33.2292.1000</a> | Schlauch                                   | hose                                       | -   | -   |
| 14   | 00.0048.0015                 | Silikongewebeschlauch 6x3-ISO<br>3302-1E1  | silicone tube 6x3-ISO 3302-1E1             | -   | -   |
| 15   | <a href="#">33.2264.7000</a> | Halterung<br>Schwingankerpumpe             | holder<br>oscillation pump                 | -   | -   |
| 16   | 00.0047.2101                 | Comby-SHB-Mutter-M5-Selbstsiche<br>rnd-A2K | Comby-SHB-nut-M5-Selbstsichernd<br>-A2K    | -   | -   |
| 17   | <a href="#">33.2251.4000</a> | Schwingankerpumpe                          | oscillation pump                           | -   | 1   |



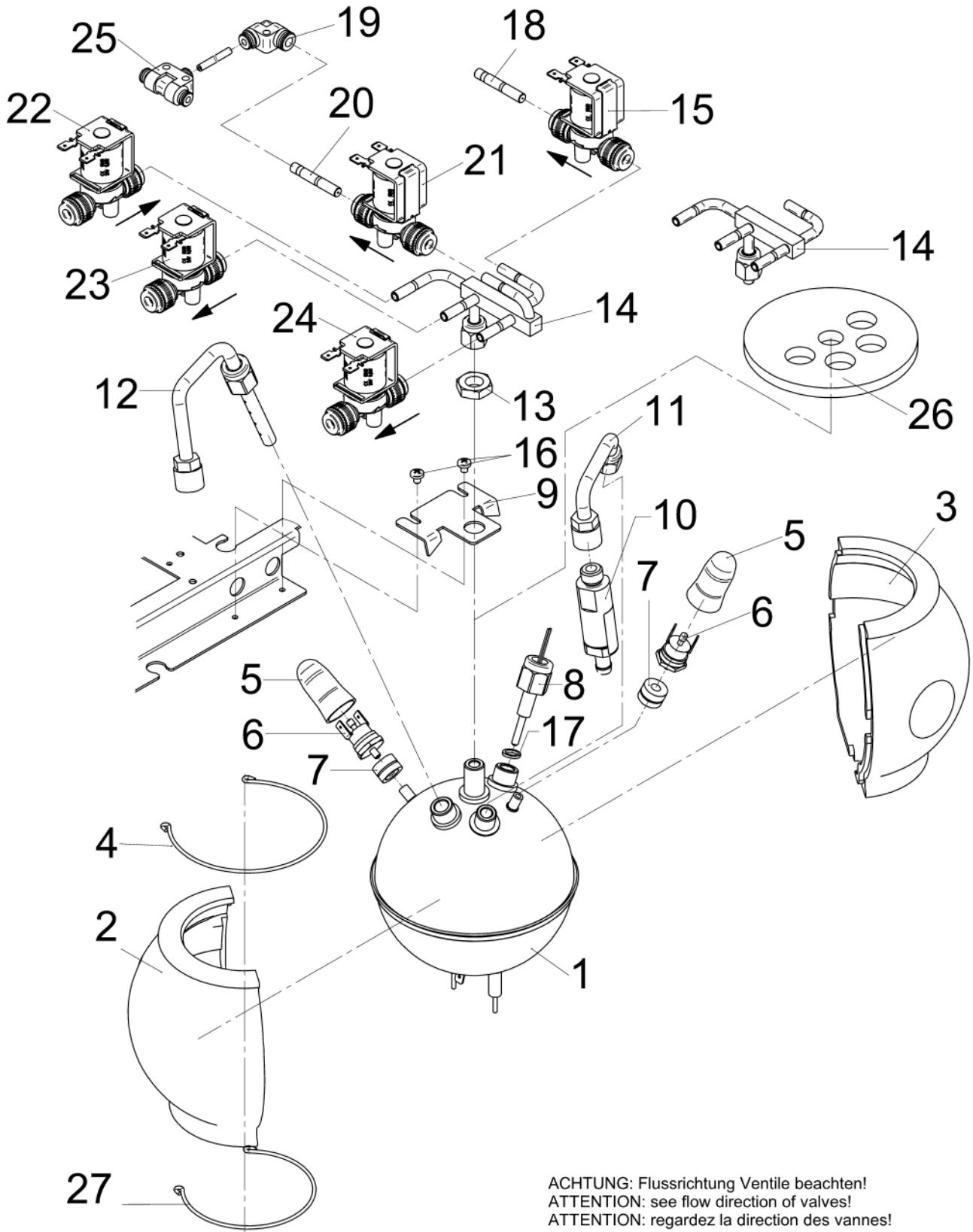
| Pos. | Art.-Nr.<br>Art. no.         | Bezeichnung<br>Tech-Info<br>Service-Info   | Designation<br>Tech-Info<br>Service-Info   | EA1 | EA2 |
|------|------------------------------|--|--|-----|-----|
| 18   | <a href="#">33.2299.5000</a> | Nippel<br>eingeklebt mit Rohrgewindedichtung<br>Mat. Nr. 00 0048 7704                                | plug<br>glued-in with threadlocker mat. no.<br>00 0048 7704                                  | -   | -   |
| 18   | <a href="#">33.2814.9099</a> | Nippel, kpl.<br>eingeklebt mit Rohrgewindedichtung<br>00 0048 7704, nur bei<br>Schäumerspülung       | plug, compl.<br>glued-in with threadlocker 00 0048<br>7704, only with foamer rinsing         | -   | -   |
| 19   | <a href="#">33.1555.8000</a> | Dichtung   | seal   | -   | -   |
| 20   | 33.2253.5000                 | Schlauch<br>kpl.   | hose<br>compl.   | -   | 1   |
| 21   | 33.2528.1000                 | Winkel, Dampfübergabe 1<br>mit externem Plug&Clean   | angle, steam transfer 1<br>with external Plug&Clean  | -   | -   |
| 22   | 33.2528.2000                 | Winkel, Dampfübergabe 2<br>mit externem Plug&Clean   | angle, steam transfer 2<br>with external Plug&Clean  | -   | -   |
| 23   | <a href="#">33.1445.7000</a> | Steckanschluss T 6-6-6   | plug-in connection T 6-6-6   | -   | 1   |
| 25   | <a href="#">33.2537.3000</a> | Dichtung   | seal   | -   | -   |
| 26   | 33.2133.4000                 | Stift  | stud   | -   | -   |
| 27   | 33.2814.8000                 | Schlauch<br>G1/8, kpl.   | hose<br>G1/8, compl.   | -   | -   |
| 28   | 33.2312.8000                 | O-Ring 4,20x1,90 EPDM  | O-ring, 4.20x1.90 EPDM   | -   | -   |
| 30   | 00.0047.3653                 | EJOT PT-Schraube KA 40x10 WN<br>1411-A2  | EJOT PT-screw KA 40x10 WN<br>1411-A2   | -   | -   |
| 31   | 33.XXXX.XXXX                 | Hinweis:<br>Pumpen-Bypassventil s. Zng.<br>Magnetventil. Nur bei Ausführung<br>PumpenBypass          | Note:  | -   | -   |
| 32   | 33.2696.1000                 | Nippel<br>eingeklebt mit Rohrgewindedichtung<br>Mat. Nr. 00 0048 7704, nur bei Ausf.<br>PumpenBypass | plug<br>glued-in with threadlocker mat. No.<br>00 0048 7704, only for version pump<br>bypass | -   | -   |
| 33   | 33.1526.8000                 | Winkel<br>eingeklebt mit Rohrgewindedichtung<br>00 0048 7704, nur bei Ausf.<br>PumpenBypass          | angle<br>glued-in with threadlocker 00 0048<br>7704, only with model pump bypass             | -   | -   |
| 99   | 33.2696.0000                 | Kabelsatz, Pumpe   | cable set, pump  | -   | -   |



| Pos. | Art.-Nr.<br>Art. no.         | Bezeichnung<br>Tech-Info<br>Service-Info  | Designation<br>Tech-Info<br>Service-Info  | EA1 | EA2 |
|------|------------------------------|---|---|-----|-----|
| 2    | <a href="#">33.2274.7000</a> | Magnetkörper<br>nicht ummantelt, für Ventile 33 2273<br>5000 und 33 2274 8000   | magnet body<br>not encased, for spare valves 33<br>2273 5000 and 33 2274 8000   | 2   | -   |
| 3    | <a href="#">33.2274.9000</a> | Ventil 2/2 NW4,5 Hub 1,2, ohne<br>Spule<br>Cappuccino-, Steamerventil,<br>Spülventil AMP  | valve 2/2 NW4.5 stroke 1.2, no<br>solenoid<br>Cappuccino, steamer valve, rinse<br>valve AMP   | 2   | -   |
| 3    | <a href="#">33.2273.9000</a> | Ventil 2/2 NW2,5 Hub 0,75-10 bar,<br>o.Spule<br>Brüh-, Dampfkesselzulauf-, Jet-,<br>Choc-, Schäumerspülven.,<br>Belüftungsven. AMP<br>Pumpen-Bypassventil | valve 2/2 id2.5 stroke0.75-10bar no<br>coil<br>brewing and steam boiler infeed, jet,<br>Choc, foamer rinse valve, vent valve<br>MAP pump bypass valve | -   | 2   |
| 3    | <a href="#">33.2274.5000</a> | Ventil 2/2 NW2,5 Hub 1,2, ohne<br>Spule<br>Entspannventil   | valve 2/2 NW2.5 stroke 1.2, no<br>solenoid<br>release valve   | -   | 2   |
| 4    | <a href="#">33.2275.3000</a> | O-Ring 8,07x1,78 FKM<br>für 8er-Anschluss, für Ersatzventil 33<br>2274 9000   | O-ring, 8.07x1.78 FKM<br>for 8mm connection, for spare valve<br>33 2274 9000  | 10  | -   |
| 4    | <a href="#">33.2274.0000</a> | O-Ring 6,07x1,78 FKM<br>für 6er-Anschluss, für Ersatzventile<br>33 2273 9000 und 33 2274 5000   | O-ring, 6.07x1.78 FKM<br>for 6mm connection, for spare valves<br>33 2273 9000 and 33 2274 5000  | -   | 1   |
| 5    | <a href="#">33.2275.2000</a> | Klemmring<br>für 8er-Anschluss, für Ersatzventil 33<br>2274 9000  | clamping ring<br>for 8mm connection, for spare valve<br>33 2274 9000  | 10  | -   |
| 5    | <a href="#">33.2274.2000</a> | Klemmring<br>für 6er-Anschluss, für Ersatzventile<br>33 2273 9000 und 33 2274 5000  | clamping ring<br>for 6mm connection, for spare valves<br>33 2273 9000 and 33 2274 5000  | -   | 1   |
| 6    | <a href="#">33.2275.0000</a> | Überwurfmutter, weiß, 8 mm<br>für Ersatzventil 33 2274 9000   | union nut, white, 8 mm<br>for spare valve 33 2274 9000  | 5   | -   |
| 6    | <a href="#">33.2274.1000</a> | Überwurfmutter, weiß, 6mm<br>für Ersatzventile 33 2273 9000 und<br>33 2274 5000   | union nut, white, 6 mm<br>for spare valves 33 2273 9000 and<br>33 2274 5000   | -   | 5   |
| 7    | <a href="#">33.2274.4000</a> | Überwurfmutter, schwarz, 6 mm<br>für Ersatzventile 33 2273 9000 und<br>33 2274 5000   | union nut, black, 6 mm<br>for spare valves 33 2273 9000 and<br>33 2274 5000   | -   | 5   |
| 7    | <a href="#">33.2275.1000</a> | Überwurfmutter, schwarz, 8 mm<br>für Ersatzventil 33 2274 9000  | union nut, black, 8 mm<br>for spare valve 33 2274 9000  | 5   | -   |
| 99   | <a href="#">33.4011.6000</a> | Ventil 2/2 NW1,4 Hub 1,0 NO<br>Active Milk und Active Milk Power,<br>Ventil 17 und 18, inkl. Spule für Auto<br>Steam ab Mod. 2                            | valve 2/2 NW1.4 stroke 1.0 NO<br>Active Milk and Milk Power, valve 17<br>and 18, incl. solenoid for Auto Steam<br>as of mod. 2                        | -   | -   |

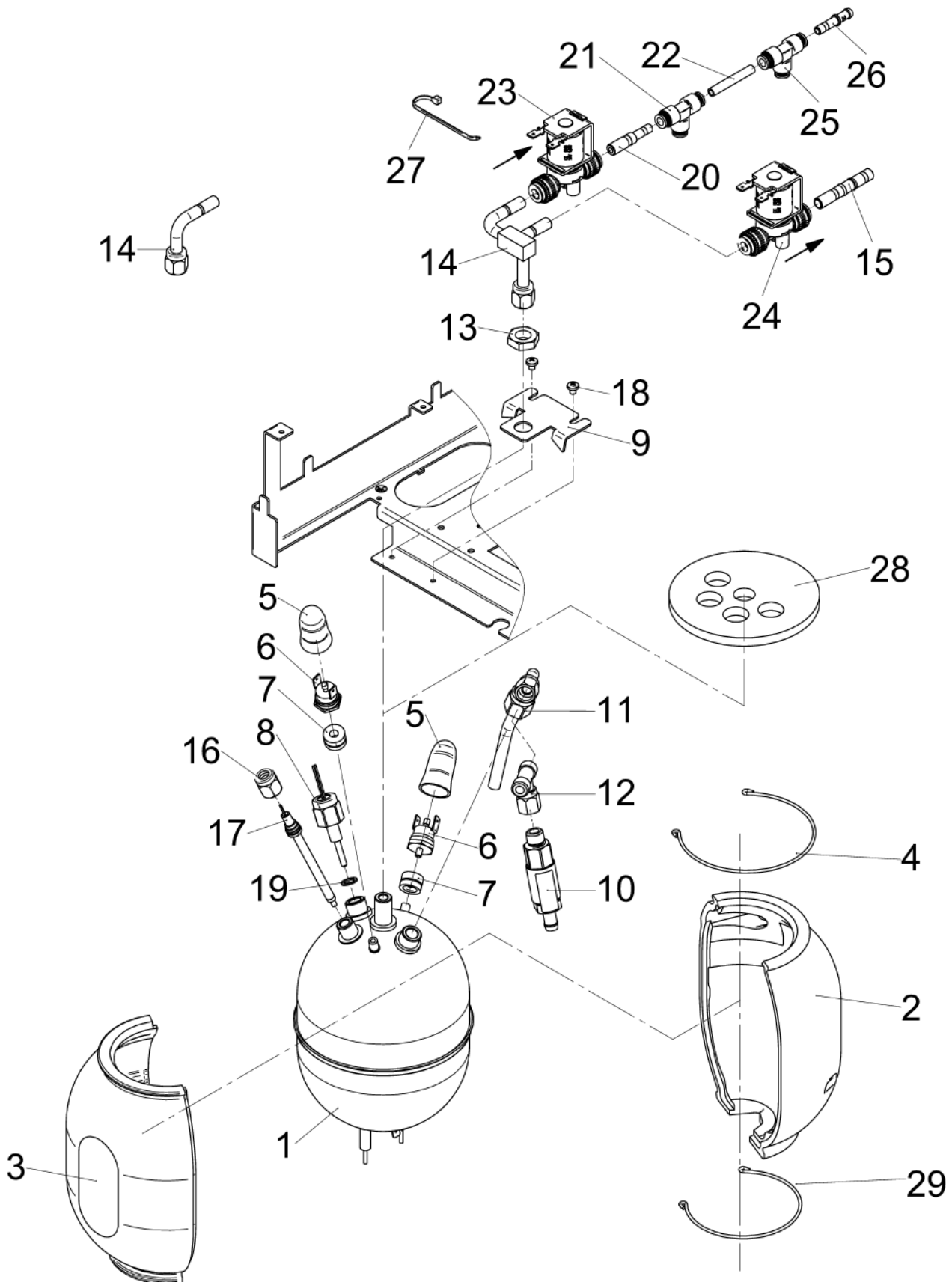


| Pos. | Art.-Nr.<br>Art. no.         | Bezeichnung<br>Tech-Info<br>Service-Info  | Designation<br>Tech-Info<br>Service-Info  | EA1 | EA2 |
|------|------------------------------|---|---|-----|-----|
| 1    | 33.2276.6199                 | HW-Boiler 0,8 L, 230 V-2900 W, UK für 3,0 kW Maschine, mit Zertifikat                           | Hot water boiler 0,8 l, 230 V-2900 W, UK for 3.0 kW machine, with certificate                   | -   | -   |
| 1    | 33.2276.5199                 | HW-Boiler 0,8 L, 240 V-3590 W, UK für 5,5 kW Maschine, mit Zertifikat                           | hot water boiler 0.8 L, 240 V-3590 W for 5.5 kW machine, with certificate                       | -   | -   |
| 1    | <a href="#">33.2276.6099</a> | HW-Boiler 0,8 L, 230 V-2900 W 240 V-3,158 kW/220 V-2,653 kW/208 V-2,372 kW, für 3,0 kW Maschine | hot water boiler 0,8L, 230V-2900W 240 V-3,158 W/2,200 V-2,635 W/208 2,372 k, for 3.0 kW machine | -   | -   |
| 1    | 33.2276.5099                 | HW-Boiler 0,8 L, 240 V-3590 W 230V-3300W/208W-2700W/200V-2 500W, für 5,5 kW Maschine            | hot water boiler 0.8 L, 240 V-3590 W 230 V-3300 W/208 W-2700 W/200 V-2500 W, for 5.5 kW model   | -   | -   |
| 2    | <a href="#">33.2616.3100</a> | Isolierung mit Loch   | insulation with hole  | -   | -   |
| 3    | <a href="#">33.2616.3000</a> | Isolierung  | insulation  | -   | -   |
| 4    | 33.4003.6000                 | Bügel, Metall 93,5 mm   | bracket, metal 93.5 mm  | -   | -   |
| 5    | <a href="#">33.2263.5000</a> | Schutztülle   | protective sleeve   | -   | 1   |
| 6    | <a href="#">33.2688.7000</a> | Sicherheitstemperaturbegrenzer max. Anzugsmoment 100 Ncm  | safety temperature limiter max. fastening torque 100 Ncm  | -   | 2   |
| 7    | 33.7006.5135                 | Klixonbefestigung   | Klixon mount  | -   | 2   |
| 8    | <a href="#">33.2629.4000</a> | Temperaturfühler Ansprechzeit kurz  | temperature sensor fast response time   | -   | 1   |
| 9    | 33.2315.4000                 | Winkel Kesselhalterung  | angle boiler support  | -   | -   |
| 10   | 33.2297.0000                 | Sicherheitsventil 16 bar  | safety valve 16 bar   | -   | 1   |
| 10   | 33.2297.0199                 | Sicherheitsventil 16 bar, UK Zertifikat   | safety valve 16 bar, UK certificate   | -   | -   |
| 11   | <a href="#">33.2298.7000</a> | Rohr, kpl. kpl.   | pipe, compl. compl.   | -   | -   |
| 12   | <a href="#">33.2272.1000</a> | Rohr, kpl. Heißwasser   | pipe, compl. hot water  | -   | 1   |
| 13   | 33.2254.5000                 | Sechskantmutter, M12x1, SW17 M12X1-SW17   | hexagon nut, M12x1, WAF17 M12X1-SW17  | -   | -   |
| 14   | 33.2504.7100                 | Anschlussstück 5 Ventile  | connection piece 5 valves   | -   | -   |
| 15   | 33.XXXX.XXXX                 | Hinweis: 2/2-Wege-Magnetventil, siehe Zng. Magnetventil   | Note: 2/2-solenoid valve, see drawing valves  | -   | -   |



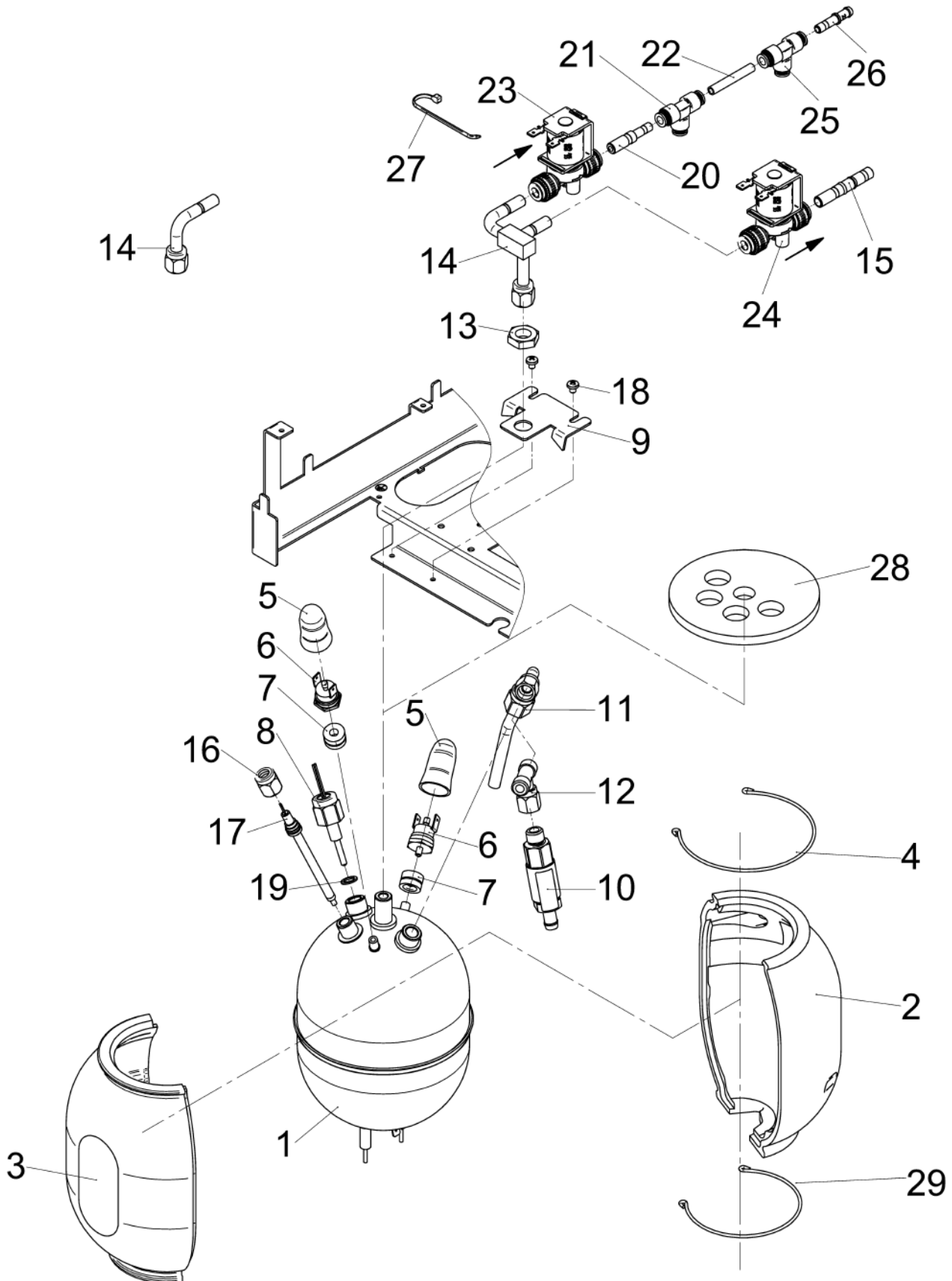
ACHTUNG: Flussrichtung Ventile beachten!  
ATTENTION: see flow direction of valves!  
ATTENTION: regardez la direction des vannes!

| Pos. | Art.-Nr.<br>Art. no.         | Bezeichnung<br>Tech-Info<br>Service-Info  | Designation<br>Tech-Info<br>Service-Info                                       | EA1 | EA2 |
|------|------------------------------|---|--|-----|-----|
| 16   | 00.0047.3356                 | Flkpf-Schraube ISO 7045-M 4x<br>5-1.4301-H  | pan head screw ISO 7045-M 4x<br>5-1.4301-H                                     | -   | -   |
| 17   | 33.7006.8423                 | Flachdichtung 8/11.5x1 Cu<br>8x11x1,5 Cu  | flat seal 8/11.5x1 Cu<br>8x11x1.5 Cu   | -   | -   |
| 18   | 33.2410.8000                 | Blende 0,8 mm   | aperture 0.8 mm  | -   | -   |
| 19   | <a href="#">33.2033.5000</a> | Steckanschluss L 6-4  | plug-in connection L 6-4   | -   | -   |
| 20   | 33.2411.0000                 | Blende 1,0 mm   | restrictor 1,0 mm  | -   | -   |
| 21   | 33.XXXX.XXXX                 | Hinweis:<br>Jetventil, s. Zng. Magnetventil   | Note:<br>jet valve, see drawing valves   | -   | -   |
| 22   | 33.XXXX.XXXX                 | Hinweis:<br>Brühventil, s. Zng. Magnetventil.<br>Entgegen der Flussrichtung<br>einbauen | Note:<br>brewing valve, see dwg. valves,<br>mounted contrary of flow direction | -   | -   |
| 23   | 33.XXXX.XXXX                 | Hinweis:<br>Heisswasserventil, s. Zng.<br>Magnetventil                                  | Note:<br>hot water valve, see drawing valves                                   | -   | -   |
| 24   | 33.XXXX.XXXX                 | Hinweis:<br>Dampfkesselzulaufventil, s. Zng.<br>Magnetventil                            | Note:<br>steam boiler supply valve, see<br>drawing valves                      | -   | -   |
| 25   | <a href="#">33.2049.0000</a> | Steckanschluss T 4-4-4  | plug-in connection T 4-4-4   | -   | -   |
| 26   | 33.2644.4000                 | Kesselisolierung, Deckel  | boiler insulation, lid   | -   | -   |
| 27   | 33.4003.7000                 | Bügel, Metall<br>79 mm  | bracket, metal<br>79 mm  | -   | -   |



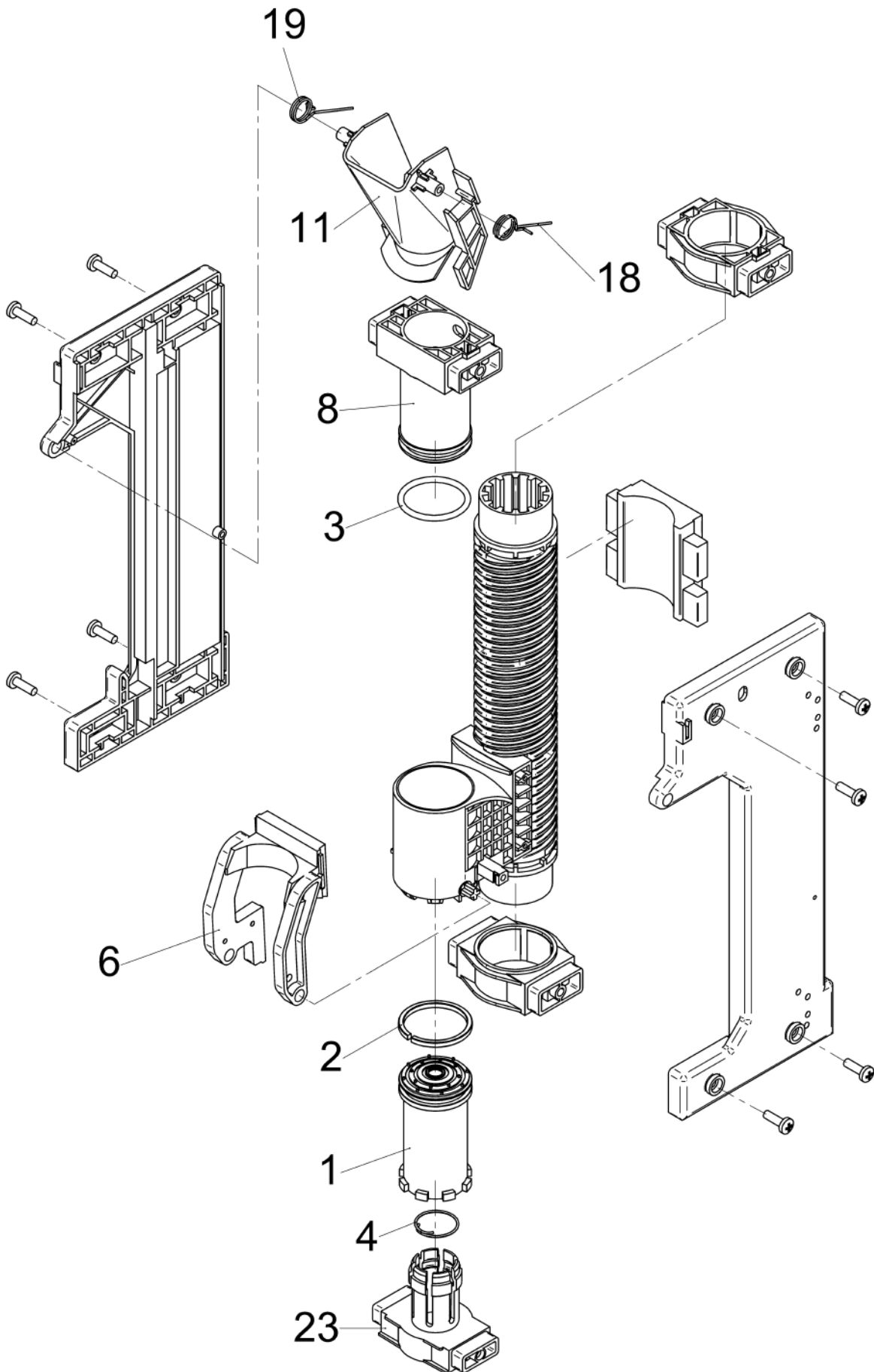
ACHTUNG: Flussrichtung Ventile beachten!  
ATTENTION: see flow direction of valves!  
ATTENTION: regardez la direction des vannes!

| Pos. | Art.-Nr.<br>Art. no.         | Bezeichnung<br>Tech-Info<br>Service-Info  | Designation<br>Tech-Info<br>Service-Info   | EA1 | EA2 |
|------|------------------------------|---|--|-----|-----|
| 1    | 33.2277.5199                 | Dampfkessel 1,2 L, 400 V-5350 W, UK<br>für 5,5k W Maschine mit Zertifikat                       | steam boiler 1.2 L, 400 V-5350 W, UK<br>For 5.5 kW machine with certificate                    | -   | -   |
| 1    | <a href="#">33.2277.6099</a> | Dampfkessel 1,2 L, 230 V-2900 W<br>208V-2372W/220V-2653W/240V-3<br>158W, für 3,0 kW Maschine    | steam boiler 1,2 L, 230 V-2900 W<br>208V-2372W/220V-2653W/240V-3<br>158W, for 3.0 kW model     | -   | -   |
| 1    | 33.2277.6199                 | Dampfkessel 1,2 L, 230 V-2900 W, UK<br>für 3,0kW Maschine, mit Zertifikat                       | Steam Boiler 1,2 L, 230 V-2900 W, UK<br>for 3.0 kW machine, with certificate                   | -   | -   |
| 1    | 33.2277.5099                 | Dampfkessel 1,2 L, 400 V-5350 W<br>für 5,5 kW Maschine  | steam boiler 1.2 L, 400 V-5350 W<br>for 5.5 kW machine   | -   | -   |
| 1    | <a href="#">33.2277.3099</a> | Dampfkessel 1,2 L, 240 V-5350 W<br>200V-3715W/208V-4020W/230V-4<br>910W, nur bei 5,5kW Maschine | steam boiler 1.2 L, 240 V-5350 W<br>200V-3715W/208V-4020W/230V-4<br>910W, only for 5.5kW model | -   | -   |
| 2    | <a href="#">33.2616.2100</a> | Isolierung<br>mit Loch  | insulation<br>with hole  | -   | -   |
| 3    | <a href="#">33.2616.2000</a> | Isolierung  | insulation   | -   | -   |
| 4    | 33.4003.6000                 | Bügel, Metall<br>93,5 mm  | bracket, metal<br>93.5 mm  | -   | -   |
| 5    | <a href="#">33.2263.5000</a> | Schutztüle  | protective sleeve  | -   | -   |
| 6    | <a href="#">33.2688.7000</a> | Sicherheitstemperaturbegrenzer<br>max. Anzugsmoment 100 Ncm                                     | safety temperature limiter<br>max. fastening torque 100 Ncm                                    | -   | -   |
| 7    | 33.7006.5135                 | Klixonbefestigung   | Klixon mount   | -   | -   |
| 8    | <a href="#">33.2629.4000</a> | Temperaturfühler<br>Ansprechzeit kurz   | temperature sensor<br>fast response time   | -   | -   |
| 9    | 33.2315.4000                 | Winkel<br>Kesselhalterung   | angle<br>boiler support  | -   | -   |
| 10   | 33.2879.9199                 | Sicherheitsventil 5 bar, UK Zertifikat  | safety valve 5 bar, UK certificate   | -   | -   |
| 10   | 33.2879.9000                 | Sicherheitsventil 5 bar   | safety valve 5 bar   | -   | 1   |
| 11   | <a href="#">33.2298.6000</a> | Rohr  | pipe   | -   | -   |
| 12   | <a href="#">33.2646.6000</a> | Verschraubung, T  | threaded connector, T  | -   | -   |
| 13   | 33.2254.5000                 | Sechskantmutter, M12x1, SW17<br>M12X1-SW17  | hexagon nut, M12x1, WAF17<br>M12X1-SW17  | -   | -   |
| 14   | 33.2507.1100                 | Rohr, kpl.<br>für 1 Ventil  | pipe, compl.<br>for 1 valve  | -   | -   |

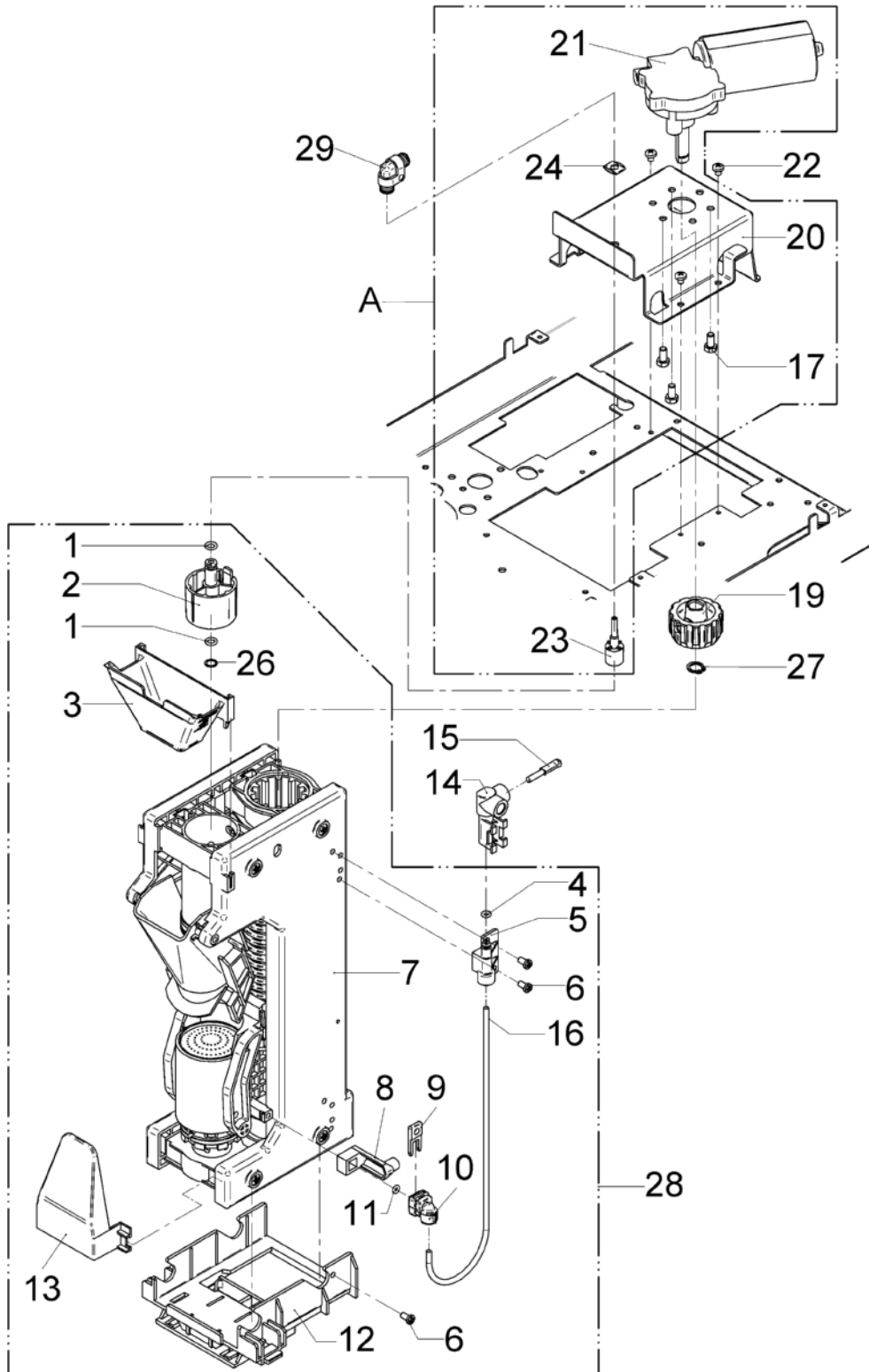


ACHTUNG: Flussrichtung Ventile beachten!  
ATTENTION: see flow direction of valves!  
ATTENTION: regardez la direction des vannes!

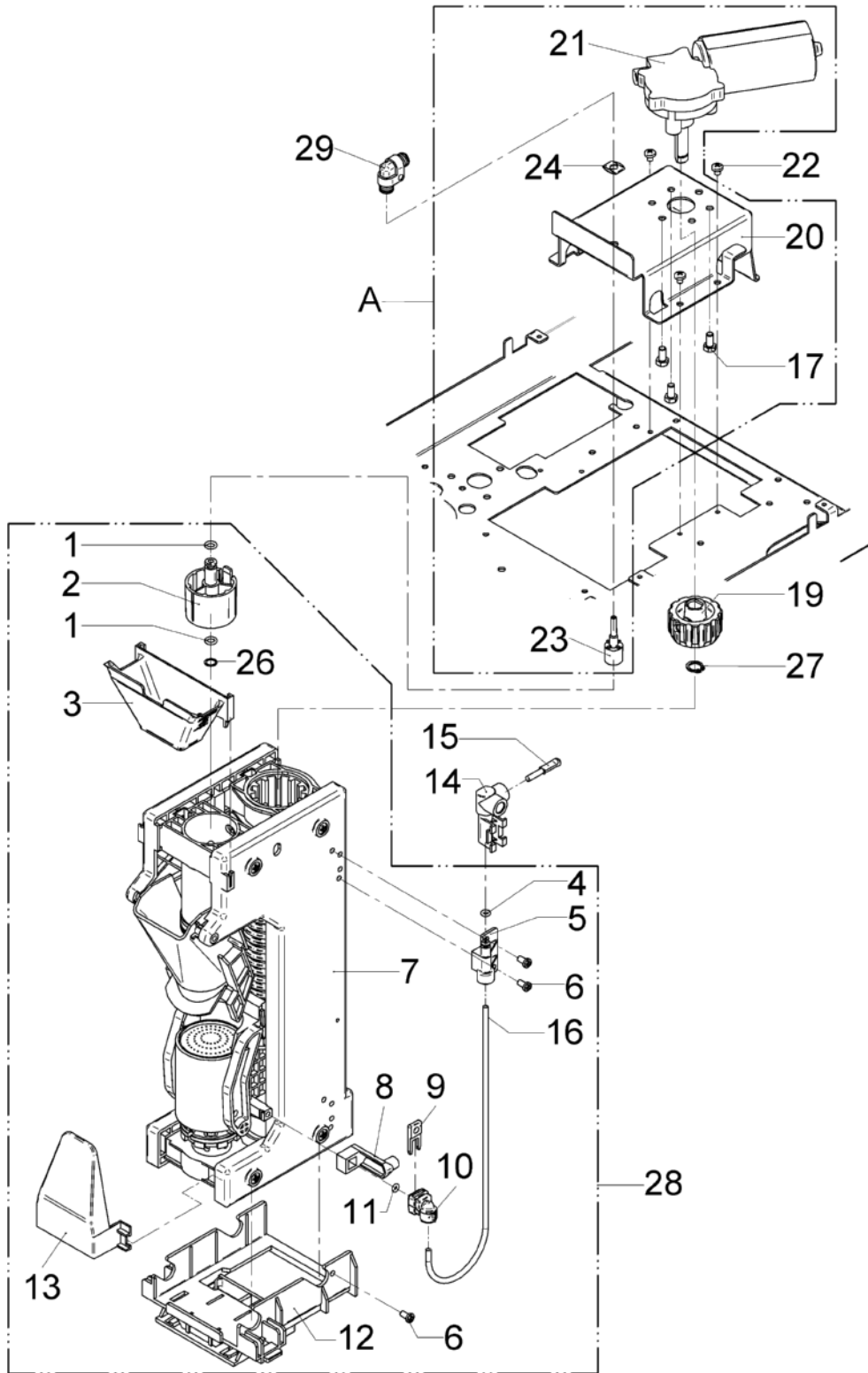
| Pos. | Art.-Nr.<br>Art. no.         | Bezeichnung<br>Tech-Info<br>Service-Info  | Designation<br>Tech-Info<br>Service-Info   | EA1 | EA2 |
|------|------------------------------|---|--|-----|-----|
| 14   | 33.2507.2100                 | Anschlussstück<br>3 Ventile   | connection piece<br>3 valves   | -   | -   |
| 14   | <a href="#">33.2507.2000</a> | Anschlussstück<br>2 Ventile   | connection piece<br>2 valves   | -   | -   |
| 15   | 33.2525.5000                 | Nippel, Schlauch<br>AVS-Buschjost   | plug, hose<br>AVS Buschjost  | -   | -   |
| 16   | <a href="#">33.2290.6000</a> | Überwurfmutter<br>M12X1-SW19  | union nut<br>M12X1-SW19  | -   | 1   |
| 17   | <a href="#">33.2820.5199</a> | Elektrode<br>kpl.   | electrode<br>compl.  | -   | 1   |
| 18   | 00.0047.3356                 | Flkupf-Schraube ISO 7045-M 4x<br>5-1.4301-H   | pan head screw ISO 7045-M 4x<br>5-1.4301-H   | -   | -   |
| 19   | 33.7006.8423                 | Flachdichtung 8/11.5x1 Cu<br>8x11,1,5 Cu  | flat seal 8/11.5x1 Cu<br>8x11,1,5 Cu   | -   | 1   |
| 20   | 33.2507.6000                 | Nippel, Schlauch<br>nur bei Schäumerspülung   | plug, hose<br>for foamer rinsing only  | -   | -   |
| 21   | <a href="#">33.1445.7000</a> | Steckanschluss T 6-6-6  | plug-in connection T 6-6-6   | -   | -   |
| 22   | 00.0048.4956                 | Schlauch 4,0x1,0 PTFE   | tube 4,0x1,0 PTFE  | -   | -   |
| 25   | <a href="#">33.1445.7000</a> | Steckanschluss T 6-6-6  | plug-in connection T 6-6-6   | -   | -   |
| 26   | 33.2509.5000                 | Nippel, Schlauch<br>mit Blende 2,3 mm, bei 3,0 kW   | plug, hose<br>with orifice 2.3 mm, for 3.0 kW  | -   | -   |
| 26   | <a href="#">33.2308.7000</a> | Nippel, Schlauch<br>nur bei 5,5 kW  | plug, hose<br>only for 5.5 kW model  | -   | -   |
| 27   | <a href="#">33.0649.3000</a> | Kabelbinder<br>Pos.23+24 mit Kabelbinder gegen<br>verdrehen sichern!  | cable clip<br>secure items 23+24 with cable ties to<br>prevent rotation.   | -   | -   |
| 28   | 33.2644.4000                 | Kesselisolierung, Deckel  | boiler insulation, lid   | -   | -   |
| 29   | 33.4003.7000                 | Bügel, Metall<br>79 mm  | bracket, metal<br>79 mm  | -   | -   |
| 30   | 33.XXXX.XXXX                 | Hinweis:<br>Cappuccinoventil, s. Zng.<br>Magnetventil, Ventil 5. Bei 1 Ventil<br>Magnetspule parallel zum<br>Brühermotor<br>Montageanweisung<br>A_LM_110321_Ventile | Note:<br>cappuccino valve, valve 5, see dwg.<br>valves. At 1 install valve solenoid<br>parallel to Brewing motor<br>see mounting instruction<br>A_LM110321 | -   | -   |



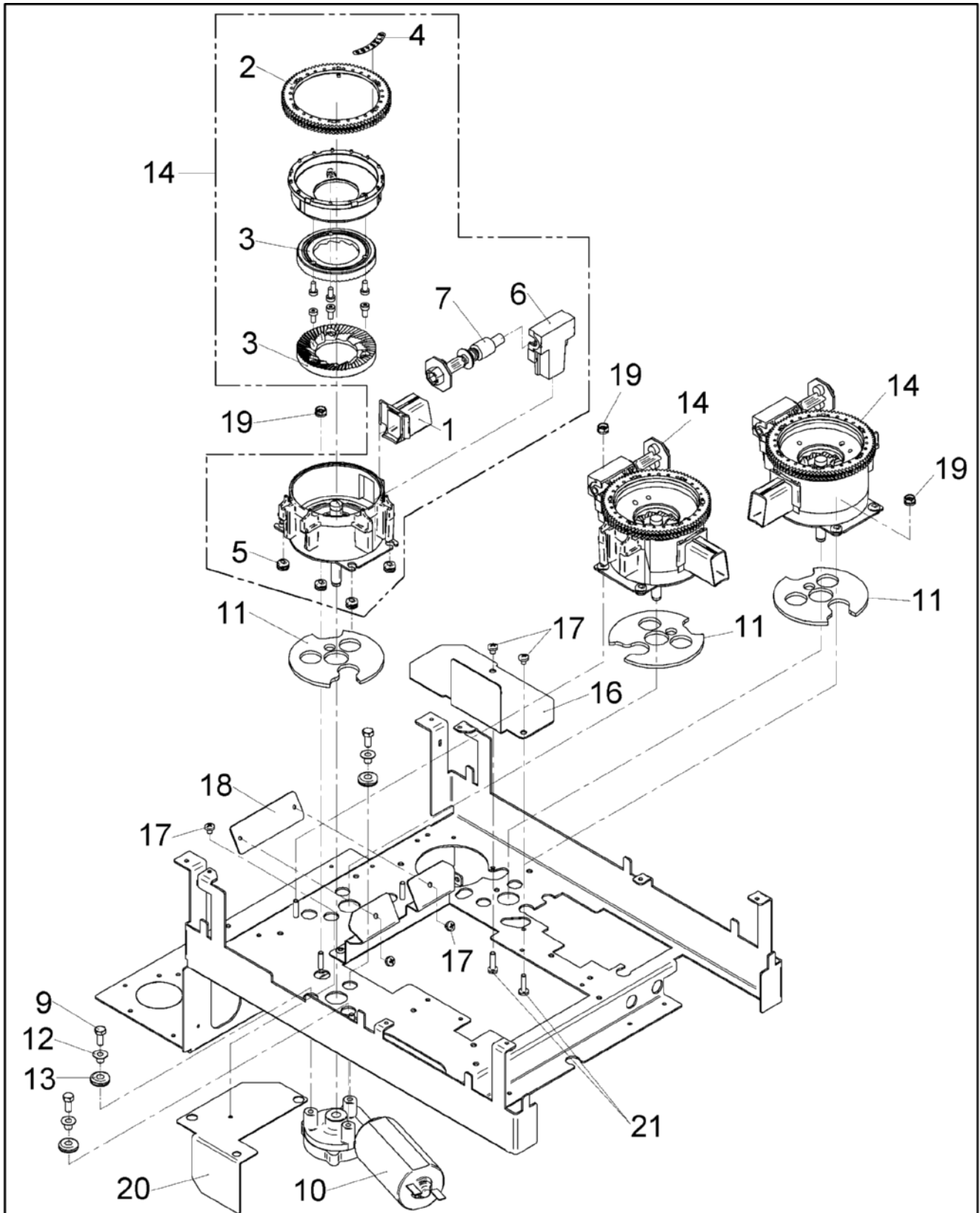
| Pos. | Art.-Nr.<br>Art. no.         | Bezeichnung<br>Tech-Info<br>Service-Info | Designation<br>Tech-Info<br>Service-Info | EA1 | EA2 |
|------|------------------------------|--|--|-----|-----|
| 1    | 33.7006.2316                 | Kolben, unten                            | piston, bottom                           | -   | -   |
| 2    | <a href="#">33.7006.5312</a> | Sprengring                               | retaining ring                           | -   | -   |
| 3    | 33.7006.5190                 | O-Ring 37,69x3,60 MVQ                    | O-ring, 37.69x3.60 MVQ                   | -   | -   |
| 4    | 33.7006.2622                 | Feder                                    | spring                                   | -   | -   |
| 6    | 33.7006.5313                 | Abstreifer                               | scraper                                  | -   | -   |
| 8    | 33.7006.5310                 | Auslaufkolben                            | spout piston                             | -   | -   |
| 11   | 33.7006.5311                 | Trichter                                 | funnel                                   | -   | -   |
| 18   | 33.7006.5197                 | Feder, rechts                            | spring, right                            | -   | -   |
| 19   | 33.7006.5198                 | Feder, links                             | spring, left                             | -   | -   |
| 23   | 33.7006.2317                 | Friktionskolben                          | friction piston                          | -   | -   |



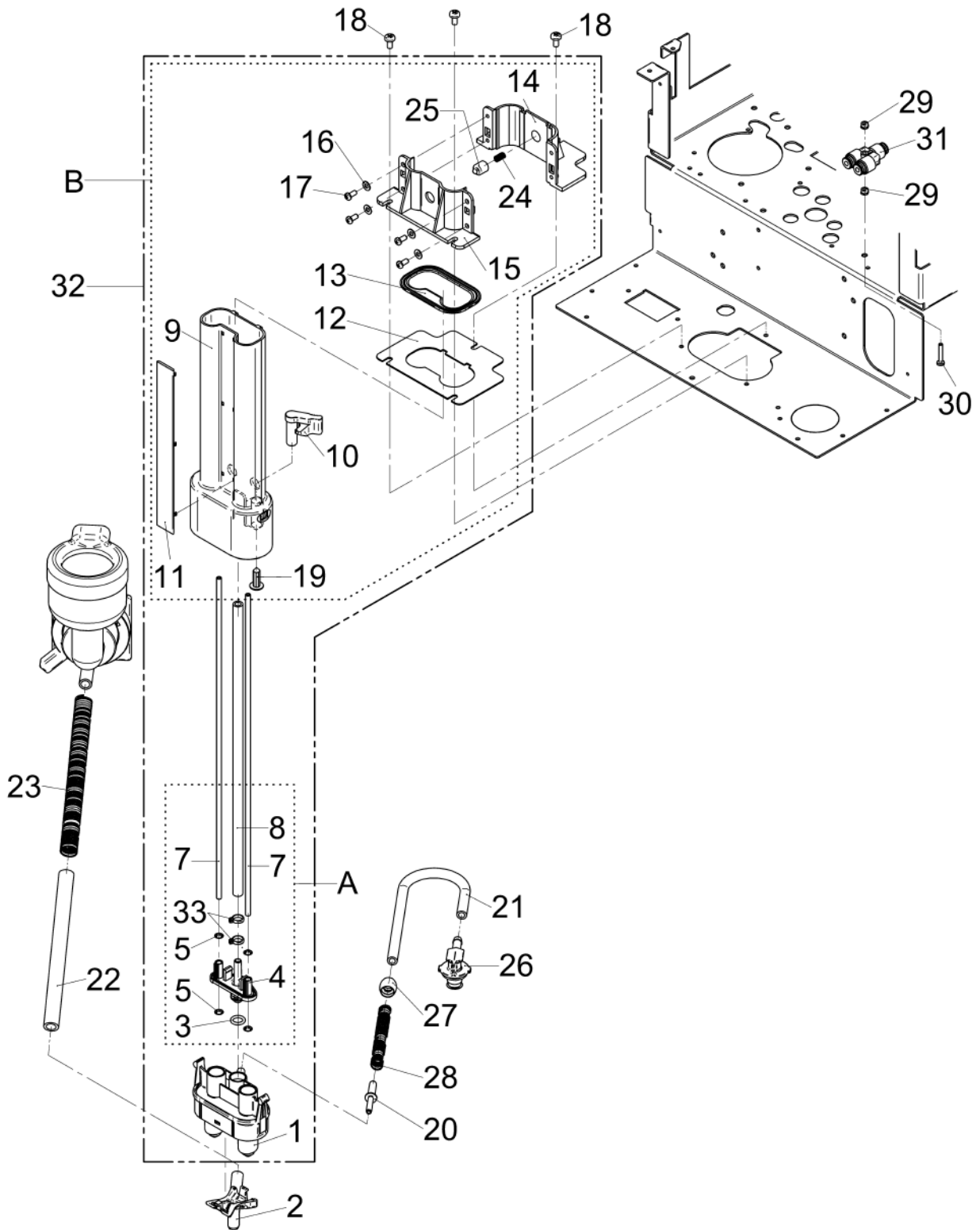
| Pos. | Art.-Nr.<br>Art. no.         | Bezeichnung<br>Tech-Info<br>Service-Info      | Designation<br>Tech-Info<br>Service-Info                 | EA1 | EA2 |
|------|------------------------------|---|--|-----|-----|
| 1    | <a href="#">33.0398.4000</a> | O-Ring 5,28x1,78 EPDM                         | O-ring, 5.28x1.78 EPDM                                   | -   | -   |
| 2    | <a href="#">33.7007.0171</a> | Adapter                                       | adapter  | -   | -   |
| 3    | 33.2279.1100                 | Trichter, Brüheinheit                         | funnel, brewing unit                                     | -   | -   |
| 4    | <a href="#">33.0394.4100</a> | O-Ring 3,68x1,78 EPDM                         | O-ring, 3.68x1.78 EPDM                                   | -   | -   |
| 5    | <a href="#">33.2645.7000</a> | Anschlussstück, kpl.<br>oben, ab August 2013  | connection piece, compl.<br>top, starting August 2013    | -   | -   |
| 6    | 00.0047.3627                 | EJOT PT-Schraube KA 40x 8-WN<br>1412-A2       | EJOT PT-screw KA 40x 8-WN<br>1412-A2                     | -   | -   |
| 8    | <a href="#">33.2267.2100</a> | Schaltnocke                                   | switch cam   | -   | -   |
| 9    | 33.7006.5314                 | Verschlussbügel                               | locking clip   | -   | -   |
| 10   | <a href="#">33.2405.3000</a> | Anschlussstück, kpl.<br>unten, ab August 2013 | connection piece, compl.<br>bottom, starting August 2013 | -   | -   |
| 11   | 33.7006.5192                 | O-Ring 3,68x1,78 MVQ                          | O-ring, 3.68x1.78 MVQ                                    | -   | -   |
| 12   | <a href="#">33.2823.7000</a> | Brüherhalter, kpl.                            | brewer mount, compl.                                     | -   | -   |
| 13   | 33.7006.5216                 | Reibkolbenschutz                              | friction piston guard                                    | -   | -   |
| 14   | <a href="#">33.2269.7000</a> | Anschluss                                     | connection   | -   | -   |
| 15   | <a href="#">33.2315.5000</a> | Verschlussstecker                             | locking plug   | -   | -   |
| 16   | 00.0048.0074                 | Schlauch 2,5x0,75 PFA natur                   | tube 2,5x0,75 PFA natur                                  | -   | -   |
| 17   | 00.0047.1805                 | 6KT-SHR DIN 7500-M 5x12-St-A2L<br>m.Mikrov.   | hex screw DIN 7500-M 5x12-St-A2L<br>w.Micro              | -   | -   |
| 19   | <a href="#">33.7006.5228</a> | Mitnehmer                                     | pusher   | -   | -   |
| 22   | 00.0047.3356                 | Fikpf-Schraube ISO 7045-M 4x<br>5-1.4301-H    | pan head screw ISO 7045-M 4x<br>5-1.4301-H               | -   | -   |
| 23   | <a href="#">33.2295.6000</a> | Anschluss                                     | connection   | -   | -   |



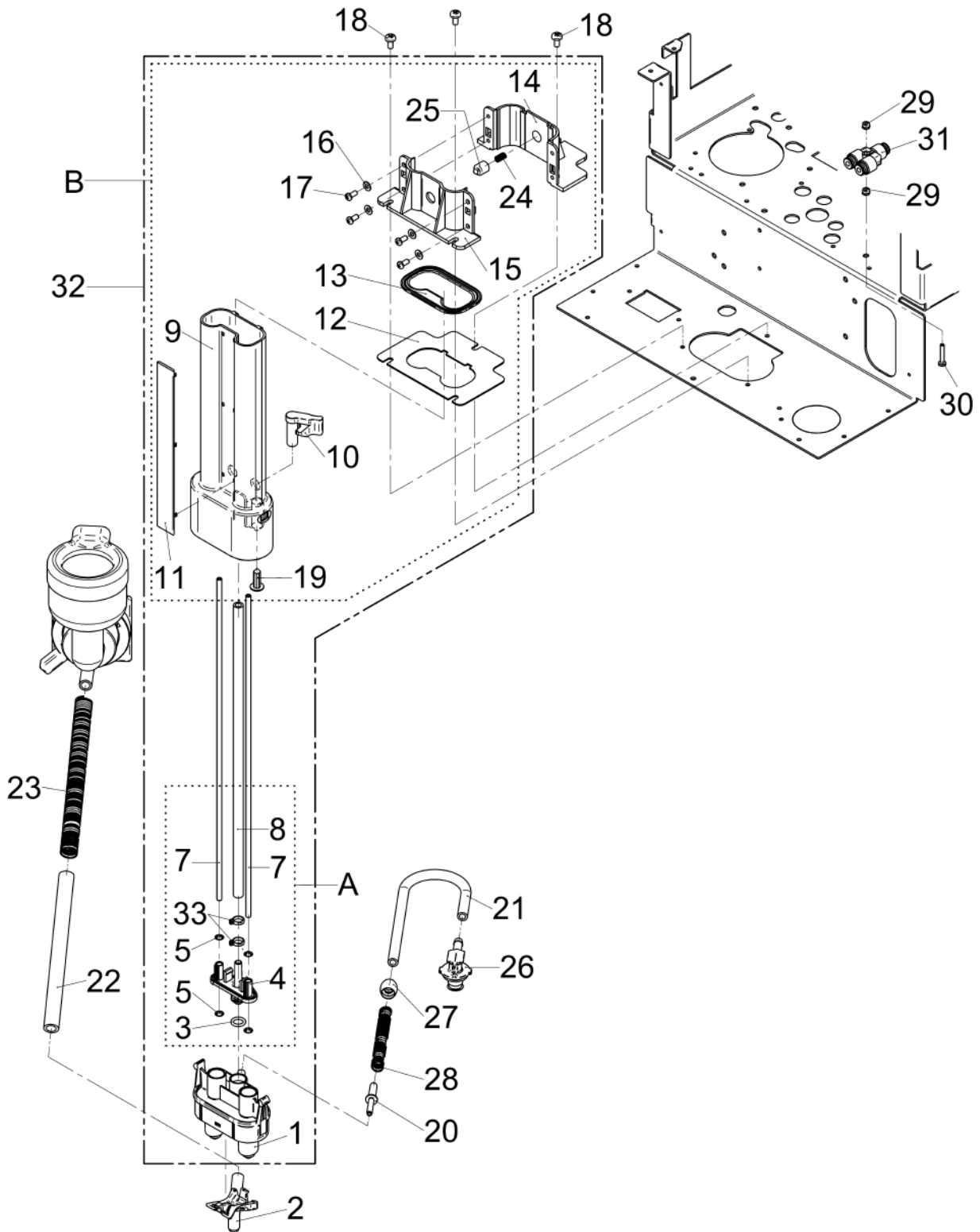
| Pos. | Art.-Nr.<br>Art. no.         | Bezeichnung<br>Tech-Info<br>Service-Info | Designation<br>Tech-Info<br>Service-Info | EA1 | EA2 |
|------|------------------------------|--|--|-----|-----|
| 24   | <a href="#">33.1471.9000</a> | Sicherung                                | retainer                                 | -   | -   |
| 26   | <a href="#">33.2317.4000</a> | Scheibe                                  | washer                                   | -   | -   |
| 27   | 00.0047.2225                 | Sicherungsring DIN 471-10x1,<br>0-1.4122 | locking ring DIN 471-10x1,0-1.4122       | -   | -   |
| 28   | <a href="#">33.2823.6199</a> | Brüher, kpl.                             | brewer, compl.                           | -   | 1   |
| 29   | <a href="#">33.1448.0000</a> | Steckanschluss L 4-4                     | plug-in connection L 4-4                 | -   | -   |
| A    | <a href="#">33.2819.4000</a> | Brühermotor<br>großer Behälter, kpl.     | brewer motor<br>large hopper, compl.     | -   | -   |



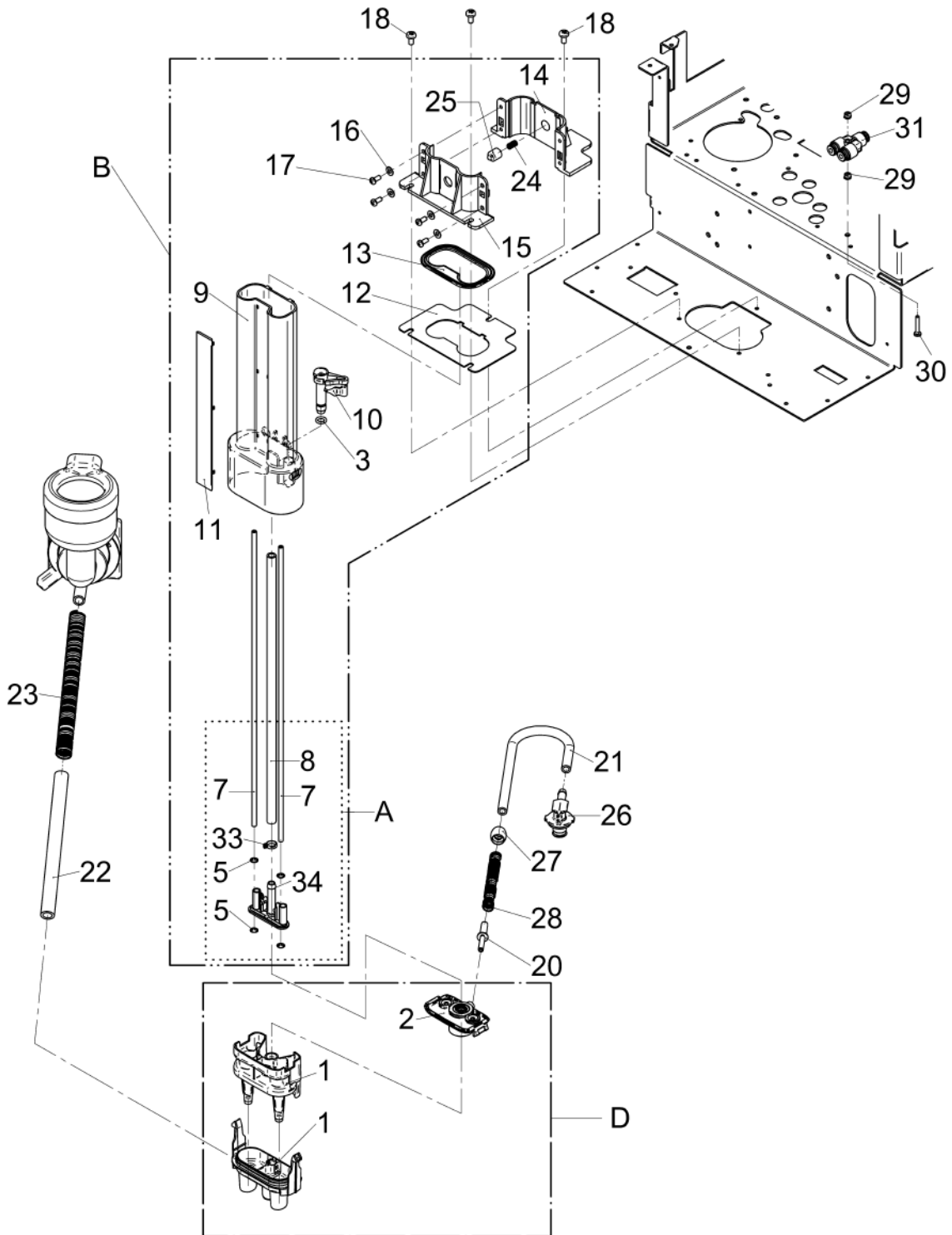
| Pos. | Art.-Nr.<br>Art. no.         | Bezeichnung<br>Tech-Info<br>Service-Info    | Designation<br>Tech-Info<br>Service-Info    | EA1 | EA2 |
|------|------------------------------|---|---|-----|-----|
| 1    | 33.7006.2437                 | Pulverauslauf, kurz                         | powder spout, short                         | -   | -   |
| 2    | <a href="#">33.7007.0465</a> | Stirnrad, Mühle                             | gear, grinder                               | -   | -   |
| 3    | <a href="#">33.7007.1412</a> | Ersatzmahlscheibenset                       | replacement grinder disc set                | -   | -   |
| 4    | 33.2316.6000                 | Klebeschild, Mahlgrad                       | adhesive label, grinding degree             | -   | -   |
| 5    | <a href="#">33.1499.9000</a> | Durchführungstülle                          | rubber funnel                               | -   | -   |
| 6    | 33.7006.2425                 | Wellenlager                                 | shaft bearing                               | -   | -   |
| 7    | 33.7006.3718                 | Schneckenwelle                              | worm shaft                                  | -   | -   |
| 9    | 00.0047.1807                 | 6KT-SHR DIN 7500-M 5x16-St-A2L<br>m.Mikrov. | hex screw DIN 7500-M 5x16-St-A2L<br>m.Mikro | -   | -   |
| 10   | <a href="#">33.2253.2000</a> | Mühlenmotor<br>24 V DC                      | grinder motor<br>24 V DC                    | -   | -   |
| 11   | 33.2477.2000                 | Schalldämmung, Mühle                        | sound insulation, grinder                   | -   | -   |
| 12   | 33.2474.3000                 | Hülse                                       | sleeve                                      | -   | -   |
| 13   | 33.2473.9000                 | Durchführungstülle<br>siehe Zeichnung 23    | rubber funnel<br>see drawing 23             | -   | -   |
| 14   | 33.7996.4021                 | Mühle 23, Mitte, links                      | grinder 23, center, left                    | -   | -   |
| 17   | 00.0047.3355                 | Flkpf-Schraube ISO 7045-M 4x<br>4-1.4301-H  | pan head screw ISO 7045-M 4x<br>4-1.4301-H  | -   | -   |
| 18   | 33.2336.2000                 | Blech<br>Ausführung 1 oder 2 Behälter       | plate<br>1 or 2 grinders model              | -   | -   |
| 19   | <a href="#">33.2509.0000</a> | Schnellbefestigungsmutter<br>M4             | quick-connect nut<br>M4                     | -   | -   |
| 20   | 33.2510.4000                 | Abdeckung<br>Ausführung 1 oder 2 Behälter   | cover<br>1 or 2 grinders model              | -   | -   |
| 21   | 00.0047.3365                 | Flkpf-Schraube ISO 7045-M<br>4x16-1.4301-H  | pan head screw ISO 7045-M<br>4x16-1.4301-H  | -   | -   |



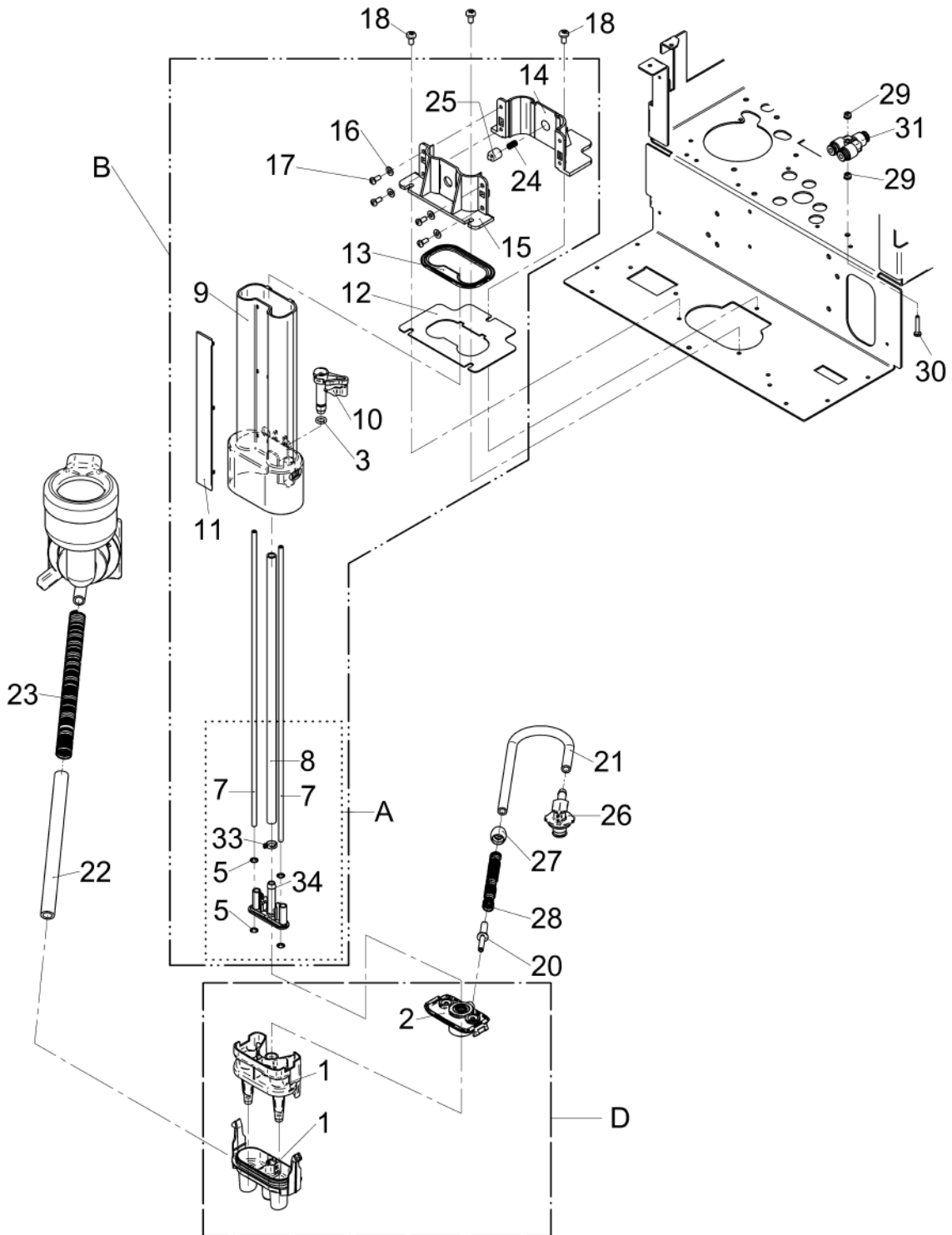
| Pos. | Art.-Nr.<br>Art. no.         | Bezeichnung<br>Tech-Info<br>Service-Info                                       | Designation<br>Tech-Info<br>Service-Info  | EA1 | EA2 |
|------|------------------------------|--|---|-----|-----|
| 1    | <a href="#">33.2259.8000</a> | Milchschaumer<br>3,0 kW  | milk foamer<br>3.0 kW   | -   | -   |
| 1    | <a href="#">33.2259.8900</a> | Milchschaumer<br>5,5 kW  | milk foamer<br>5.5 kW   | -   | -   |
| 2    | <a href="#">33.2296.2000</a> | Auslauf<br>Choc  | spout<br>Choc   | -   | -   |
| 3    | <a href="#">33.1580.3000</a> | O-Ring 8,00x2,00 EPDM<br>geschmiert mit Molykote 111,<br>Mat.-Nr. 00 0048 7705 | O-ring, 8.00x2.00 EPDM<br>lubricated with Molykote 111,<br>material number 00 0048 7705 | -   | -   |
| 5    | <a href="#">33.2296.3000</a> | Kralle, 4 mm   | claw, 4 mm  | -   | -   |
| 7    | 00.0048.4949                 | Schlauch 2,0x1,0 PTFE  | Hose 2.0x1.0 PTFE   | -   | -   |
| 8    | 00.0048.4948                 | Schlauch 5,0x1,5 Silikon transparent   | tube 5,0x1,5 silicone transparent   | -   | -   |
| 10   | 33.2299.1000                 | Hebel Auswerfer  | ejector lever   | -   | -   |
| 16   | 00.0047.2119                 | Scheibe ISO 7089- 3,5-200HV-B2K  | washer ISO 7089- 3,5-200HV-B2K  | -   | -   |
| 17   | 00.0047.3651                 | EJOT PT-Schraube KA 35x 8-WN<br>1412-4303                                      | EJOT PT-screw KA 35x 8-WN<br>1412-4303  | -   | -   |
| 18   | 00.0047.3358                 | Flkpf-Schraube ISO 7045-M 4x<br>6-1.4301-H                                     | pan head screw ISO 7045-M 4x<br>6-1.4301-H  | -   | -   |
| 19   | 33.0397.0000                 | O-Ring 6,07x1,78 EPDM  | O-ring, 6.07x1.78 EPDM  | -   | -   |
| 20   | <a href="#">33.2031.4100</a> | Düse<br>1,70 mm, bei 5,5 kW, natur   | nozzle<br>1.70 mm, for 5.5 kW, natural  | -   | -   |
| 20   | <a href="#">33.9521.3000</a> | Düse, 1,6 mm<br>bei 3,0 kW + 5,5 kW, karamell                                  | nozzle, 1.6<br>with 3.0 kW and 5.5 kW, caramel  | -   | -   |
| 20   | <a href="#">33.2317.8000</a> | Düse, 1,3 mm<br>3,0 kW, grün   | nozzle, 1.3 mm<br>3.0 kW, green   | -   | -   |
| 20   | <a href="#">33.9516.9000</a> | Düse, 1,4 mm<br>1,40 mm, bei 3,0 kW, weiß                                      | nozzle, 1.4 mm<br>1.40 mm, for 3.0 kW, white  | -   | -   |
| 21   | 00.0048.4948                 | Schlauch 5,0x1,5 Silikon transparent   | tube 5,0x1,5 silicone transparent   | -   | -   |
| 22   | 00.0048.0064                 | Schlauch 8,0x2,0 Silicon   | tube 8,0x2,0 Silicon  | -   | -   |
| 23   | <a href="#">33.2292.6000</a> | Feder  | spring  | -   | -   |



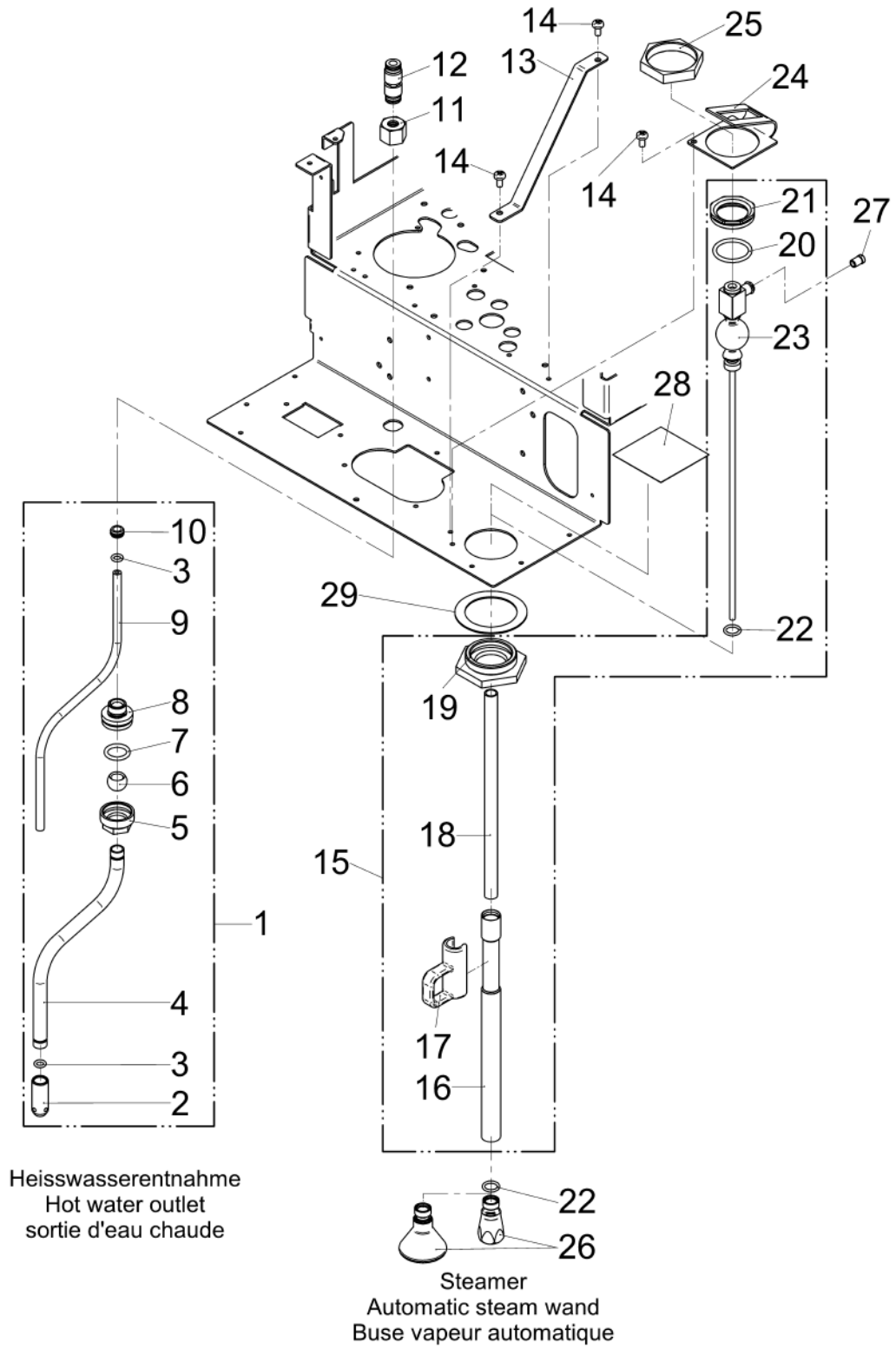
| Pos. | Art.-Nr.<br>Art. no.         | Bezeichnung<br>Tech-Info<br>Service-Info        | Designation<br>Tech-Info<br>Service-Info             | EA1 | EA2 |
|------|------------------------------|---|--|-----|-----|
| 24   | 33.0197.9000                 | Feder   | spring   | -   | -   |
| 25   | 33.2321.0000                 | Schieber  | slider   | -   | -   |
| 26   | <a href="#">33.2046.0100</a> | Düse, 3,0 mm<br>3,00 mm, ohne Plug&Clean, beige | nozzle, 3.0 mm<br>3.00 mm, without Plug&Clean, beige | -   | -   |
| 26   | <a href="#">33.4073.5000</a> | Schlauchadapter_Plug_and_Clean<br>_2K           | Hose_Connector_Plug_and_Clean<br>_2K                 | -   | -   |
| 27   | <a href="#">33.2180.5000</a> | Hülse   | sleeve   | -   | -   |
| 28   | <a href="#">33.0190.3000</a> | Feder   | spring   | -   | -   |
| 29   | 00.0047.2097                 | Sechskantmutter ISO 10511-M<br>3-1.4301         | hexagonnut ISO 10511-M 3-1.4301                      | -   | -   |
| 30   | 00.0047.3329                 | Flkopf-Schraube ISO 7045-M<br>3x28-1.4301-H     | pan head screw ISO 7045-M<br>3x28-1.4301-H           | -   | -   |
| 31   | <a href="#">33.2266.6000</a> | Steckanschluss Y 4-4-4                          | plug-in connection Y 4-4-4                           | -   | -   |
| 32   | 33.2822.4400                 | Auslauf<br>bei 3,0 kW, kpl.                     | spout<br>with 3.0 kW, compl.                         | -   | -   |
| 32   | 33.2822.4900                 | Auslauf<br>bei 5,5 kW, kpl.                     | spout<br>with 5.5 kW, compl.                         | -   | -   |
| 33   | 33.2541.8000                 | Kabelbinder                                     | cable clip   | -   | -   |
| A    | 33.2824.6400                 | Dampfdüse<br>bei 3,0 kW, kpl.                   | steam nozzle<br>with 3.0 kW, compl.                  | -   | -   |
| A    | <a href="#">33.2824.6900</a> | Dampfdüse<br>bei 5,5 kW, kpl.                   | steam nozzle<br>with 5.5 kW, compl.                  | -   | -   |
| B    | <a href="#">33.2824.7000</a> | Führung<br>kpl.                                 | guide<br>compl.                                      | -   | -   |



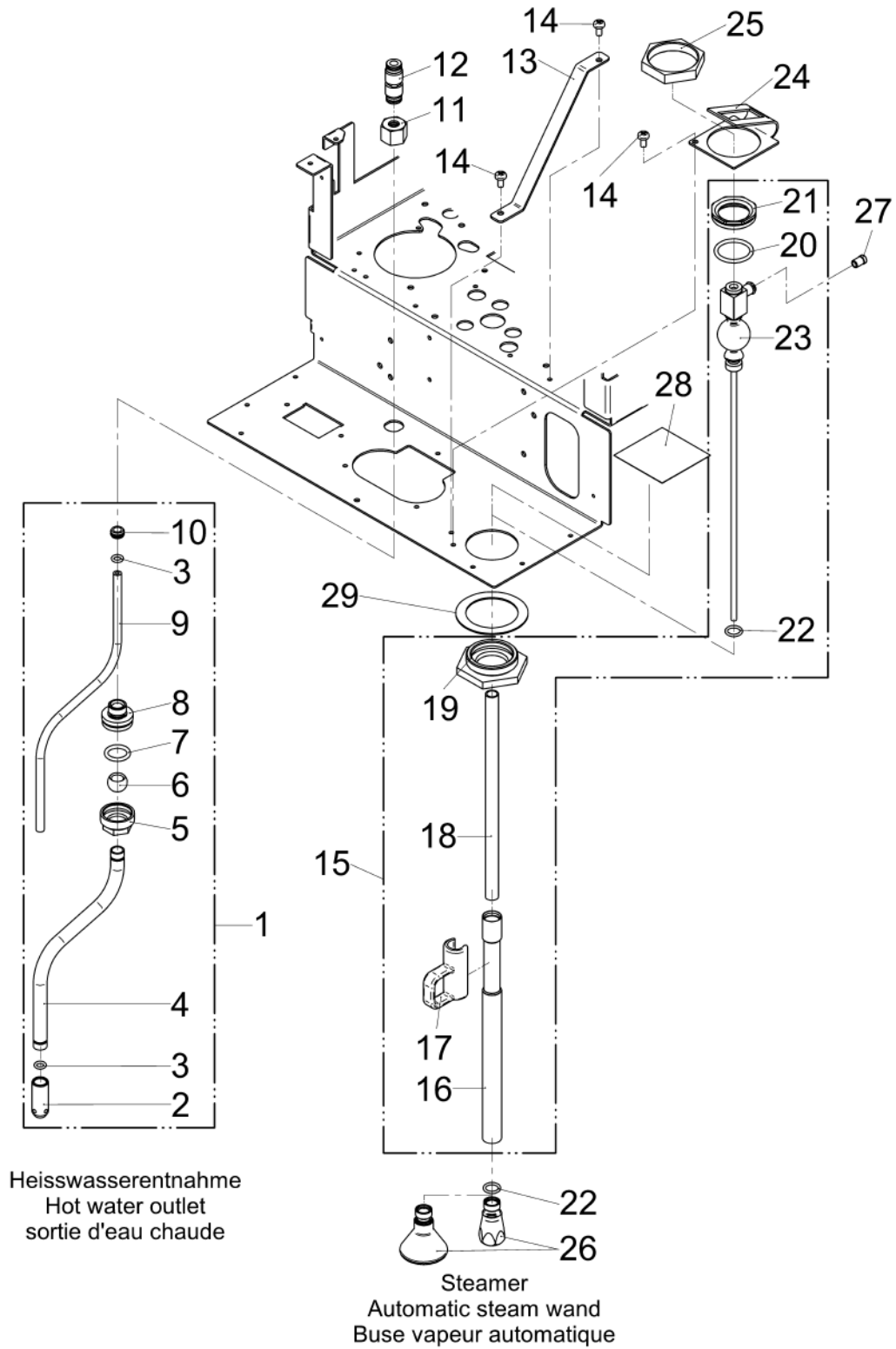
| Pos. | Art.-Nr.<br>Art. no.         | Bezeichnung<br>Tech-Info<br>Service-Info  | Designation<br>Tech-Info<br>Service-Info  | EA1 | EA2 |
|------|------------------------------|---|---|-----|-----|
| 1    | <a href="#">33.2553.1000</a> | Milchschaumer, doppel<br>bei 3,0 kW, Standard und Active Milk<br>und Active Milk 5,5 kW | milk foamer, double<br>with 3.0 kW, standard and Active<br>Milk 5.5 kW                  | -   | -   |
| 1    | 33.2553.1100                 | Milchschaumer<br>nur bei 5,5 kW, Standard   | milk foamer<br>Only for 5.5. kW, standard   | -   | -   |
| 2    | 33.2864.3100                 | Dampfdüse<br>mit Dichtung 3,0, bei 5,5 kW, kpl.   | steam nozzle<br>with seal 3.0, for 5.5 kW, compl.                                       | -   | -   |
| 2    | <a href="#">33.2864.3300</a> | Dampfdüse<br>mit Dichtung 2,3, bei 3,0 kW, kpl.   | steam nozzle<br>with seal 2.3, for 3.0 kW, compl.                                       | -   | -   |
| 3    | 33.0397.0000                 | O-Ring 6,07x1,78 EPDM<br>geschmiert mit Molykote 111,<br>Mat.-Nr. 00 0048 7705          | O-ring, 6.07x1.78 EPDM<br>lubricated with Molykote 111,<br>material number 00 0048 7705 | -   | -   |
| 8    | 00.0048.4948                 | Schlauch 5,0x1,5 Silikon transparent  | tube 5,0x1,5 silicone transparent   | -   | -   |
| 10   | <a href="#">33.2553.5000</a> | Hebel   | lever   | -   | -   |
| 16   | 00.0047.2119                 | Scheibe ISO 7089- 3,5-200HV-B2K   | washer ISO 7089- 3,5-200HV-B2K  | -   | -   |
| 17   | 00.0047.3651                 | EJOT PT-Schraube KA 35x 8-WN<br>1412-4303   | EJOT PT-screw KA 35x 8-WN<br>1412-4303  | -   | -   |
| 18   | 00.0047.3358                 | Flkpf-Schraube ISO 7045-M 4x<br>6-1.4301-H  | pan head screw ISO 7045-M 4x<br>6-1.4301-H  | -   | -   |
| 20   | <a href="#">33.9521.3000</a> | Düse, 1,6 mm<br>bei 3,0 kW + 5,5 kW, karamell   | nozzle, 1.6<br>with 3.0 kW and 5.5 kW, caramel  | -   | -   |
| 20   | <a href="#">33.9516.9000</a> | Düse, 1,4 mm<br>3,0 kW, weiß  | nozzle, 1.4 mm<br>3.0 kW, white   | -   | -   |
| 20   | <a href="#">33.2317.8000</a> | Düse, 1,3 mm<br>3,0 kW, grün  | nozzle, 1.3 mm<br>3.0 kW, green   | -   | -   |
| 20   | 33.2410.1000                 | Düse, 1,9 mm<br>5,5 kW, rot   | nozzle, 1.9<br>5.5 kW, red  | -   | -   |
| 21   | 00.0048.4948                 | Schlauch 5,0x1,5 Silikon transparent  | tube 5,0x1,5 silicone transparent   | -   | -   |
| 22   | 00.0048.0064                 | Schlauch 8,0x2,0 Silicon  | tube 8,0x2,0 Silicon  | -   | -   |
| 23   | <a href="#">33.2292.6000</a> | Feder   | spring  | -   | -   |
| 24   | 33.0197.9000                 | Feder   | spring  | -   | -   |
| 25   | 33.2321.0000                 | Schieber  | slider  | -   | -   |



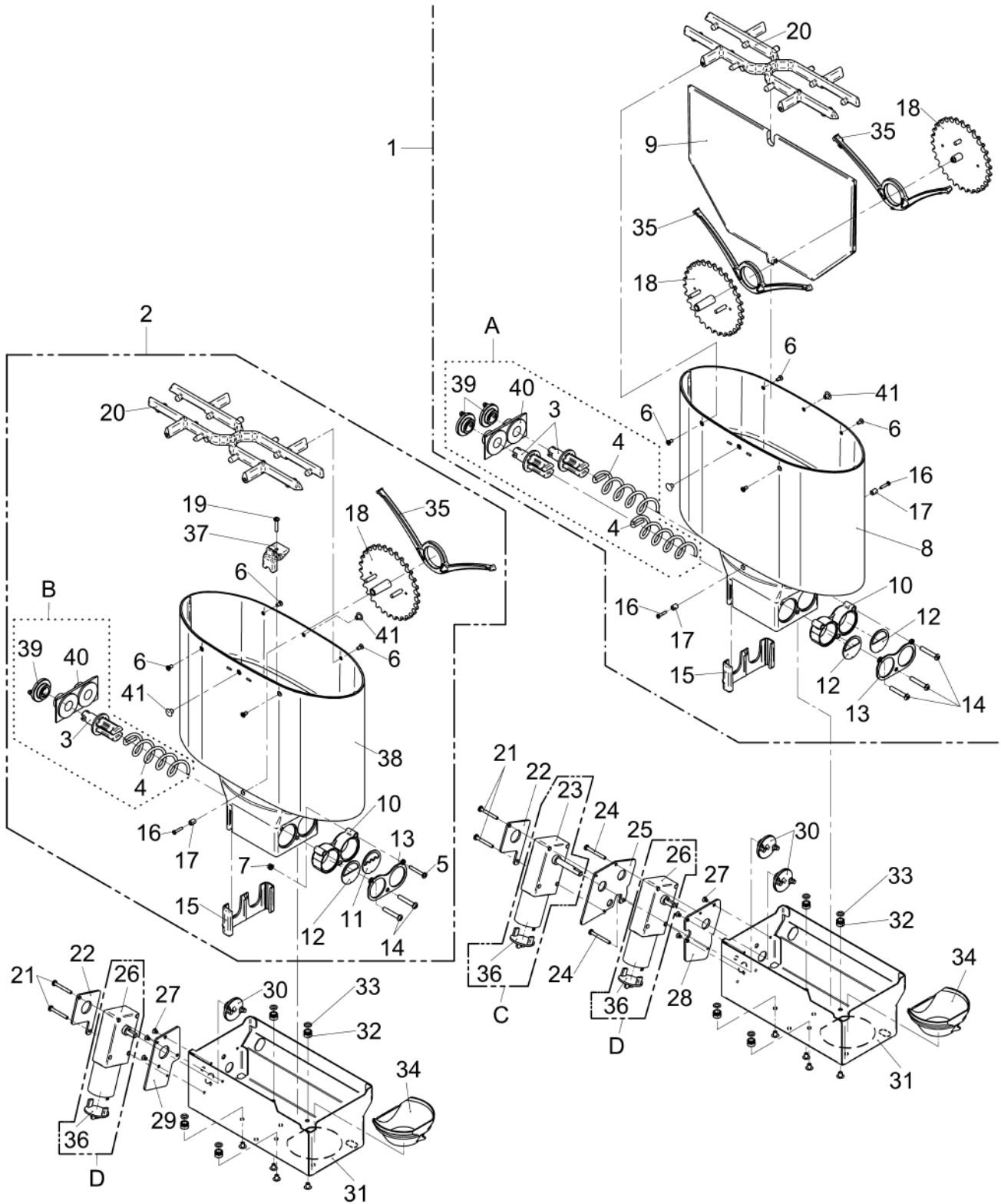
| Pos. | Art.-Nr.<br>Art. no.         | Bezeichnung<br>Tech-Info<br>Service-Info  | Designation<br>Tech-Info<br>Service-Info   | EA1 | EA2 |
|------|------------------------------|---|--|-----|-----|
| 26   | <a href="#">33.2046.0100</a> | Düse, 3,0 mm<br>3,00 mm, ohne Plug&Clean, beige   | nozzle, 3.0 mm<br>3.00 mm, without Plug&Clean, beige   | -   | -   |
| 26   | <a href="#">33.4073.5000</a> | Schlauchadapter_Plug_and_Clean<br>_2K   | Hose_Connector_Plug_and_Clean<br>_2K   | -   | -   |
| 27   | <a href="#">33.2180.5000</a> | Hülse   | sleeve   | -   | -   |
| 28   | <a href="#">33.0190.3000</a> | Feder   | spring   | -   | -   |
| 29   | 00.0047.2097                 | Sechskantmutter ISO 10511-M<br>3-1.4301   | hexagonnut ISO 10511-M 3-1.4301  | -   | -   |
| 30   | 00.0047.3329                 | Flkopf-Schraube ISO 7045-M<br>3x28-1.4301-H   | pan head screw ISO 7045-M<br>3x28-1.4301-H   | -   | -   |
| 31   | <a href="#">33.2266.6000</a> | Steckanschluss Y 4-4-4  | plug-in connection Y 4-4-4   | -   | -   |
| 33   | 33.2541.8000                 | Kabelbinder   | cable clip   | -   | -   |
| A    | <a href="#">33.2862.6000</a> | Anschluss, Dampf/Kaffee<br>kpl.   | connection, steam/coffee<br>compl.   | 2   | -   |
| B    | 33.2869.1000                 | Fuehrung komplett<br>kompl. ohne Schäumer kpl. mit<br>Düse, siehe Pos. D                  | guidance complete<br>complet without foamer, see pos. D  | -   | -   |
| D    | <a href="#">33.2867.5300</a> | Milchschaumer, doppel<br>mit Dampfdüse 2,3, bei 3,0 kW,<br>Standard und Active Milk, kpl. | milk foamer, double<br>with steam nozzle 2.3, with 3.0 kW,<br>standard and Active Milk, compl. | 2   | -   |
| D    | 33.2867.5100                 | Milchschaumer<br>mit Dampfdüse 3,0, nur bei 5,5 kW,<br>Standard, kpl.                     | milk foamer<br>with steam nozzle 3.0, only for 5.5<br>kW, standard, compl.                     | 2   | -   |



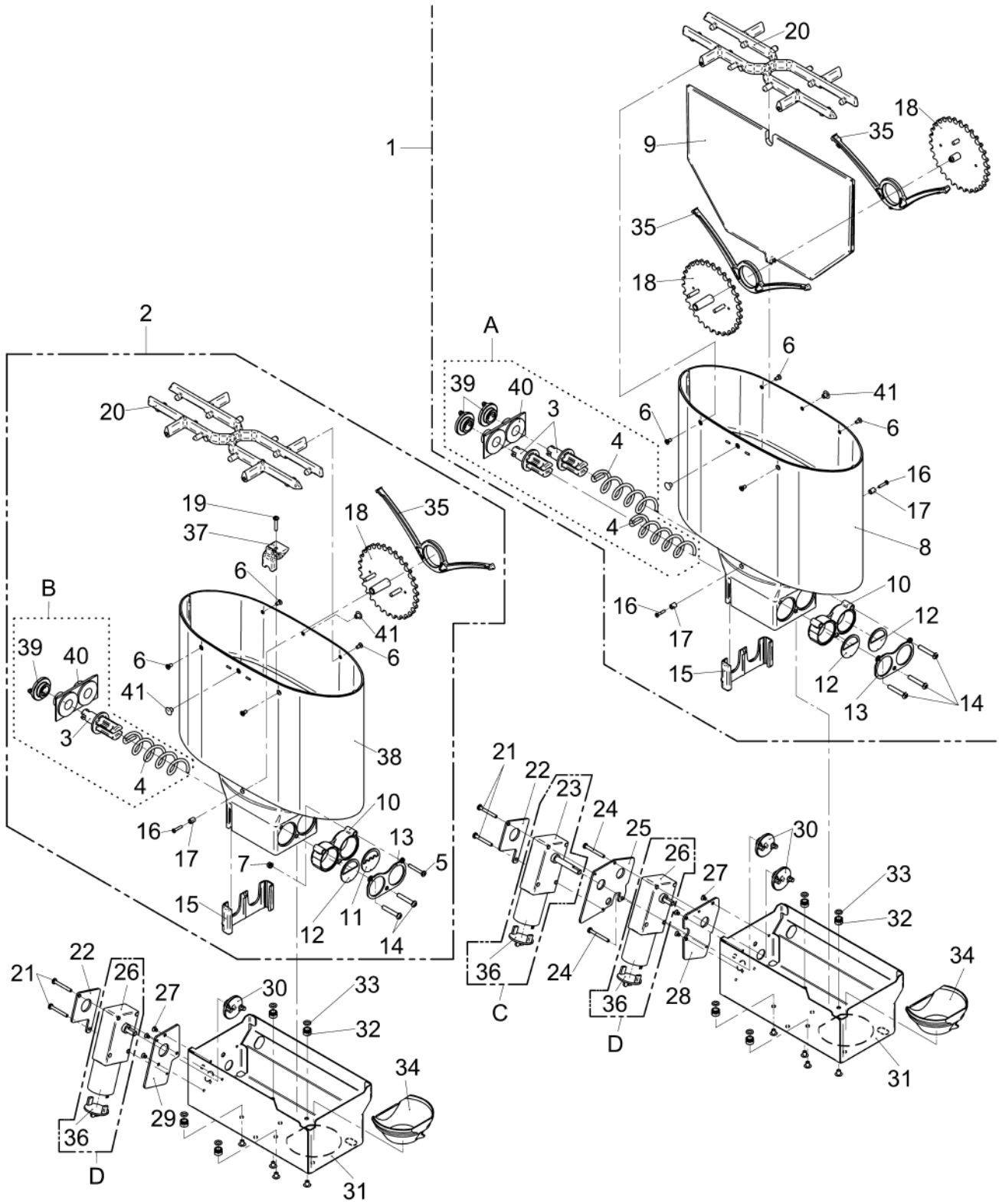
| Pos. | Art.-Nr.<br>Art. no.         | Bezeichnung<br>Tech-Info<br>Service-Info  | Designation<br>Tech-Info<br>Service-Info   | EA1 | EA2 |
|------|------------------------------|---|--|-----|-----|
| 1    | 33.2823.8099                 | Heißwasserauslauf<br>kpl.   | hot water spout<br>compl.  | -   | -   |
| 2    | <a href="#">33.2295.9000</a> | Milchschaumdüse   | milk foam nozzle   | -   | -   |
| 3    | <a href="#">33.0398.4000</a> | O-Ring 5,28x1,78 EPDM   | O-ring, 5.28x1.78 EPDM   | -   | -   |
| 4    | 33.2259.5000                 | Dampfentnahme   | hot water spout  | -   | -   |
| 5    | 33.2295.7000                 | Mutter  | nut  | -   | -   |
| 6    | 33.2259.6000                 | Kugel   | ball   | -   | -   |
| 7    | 33.1504.9000                 | O-Ring 13,94x2,62 EPDM<br>geschmiert mit Molykote 111,<br>Mat.-Nr. 00 0048 7705 | O-ring, 13.94x2.62 EPDM<br>lubricated with Molykote 111,<br>material number 00 0048 7705 | -   | -   |
| 8    | 33.2269.2000                 | Anschlussstück  | connection piece   | -   | -   |
| 9    | 00.0048.4951                 | Schlauch 3,0x1,5 PFA transparent  | tube 3,0x1,5 PFA transparent   | -   | -   |
| 10   | 33.2295.8000                 | Klemmring   | clamping ring  | -   | -   |
| 11   | 33.0221.4000                 | Überwurfmutter  | union nut  | -   | -   |
| 12   | <a href="#">33.1402.7000</a> | Steckanschluss I 6-6  | plug-in connection I 6-6   | -   | -   |
| 13   | 33.2508.9000                 | Strebe  | slat   | -   | -   |
| 14   | 00.0047.3355                 | Flüpf-Schraube ISO 7045-M 4x<br>4-1.4301-H                                      | pan head screw ISO 7045-M 4x<br>4-1.4301-H   | -   | -   |
| 15   | <a href="#">33.2853.0099</a> | Rohr, Steampower<br>mit Sensor  | pipe, Steampower<br>with sensor  | -   | -   |
| 16   | 33.2413.9500                 | Rohr<br>Dampfentnahme PEEK  | pipe<br>steam dispensing, PEEK   | -   | -   |
| 16   | <a href="#">33.2413.9000</a> | Rohr<br>Dampfentnahme   | pipe<br>steam dispensing   | -   | -   |
| 17   | <a href="#">33.2071.9000</a> | Griff<br>Dampf  | handle<br>steam  | -   | -   |
| 18   | 00.0048.0050                 | Schlauch 7,6x1,0 PTFE   | tube 7,6x1,0 PTFE  | -   | -   |
| 19   | 33.2503.5000                 | Mutter  | nut  | -   | -   |



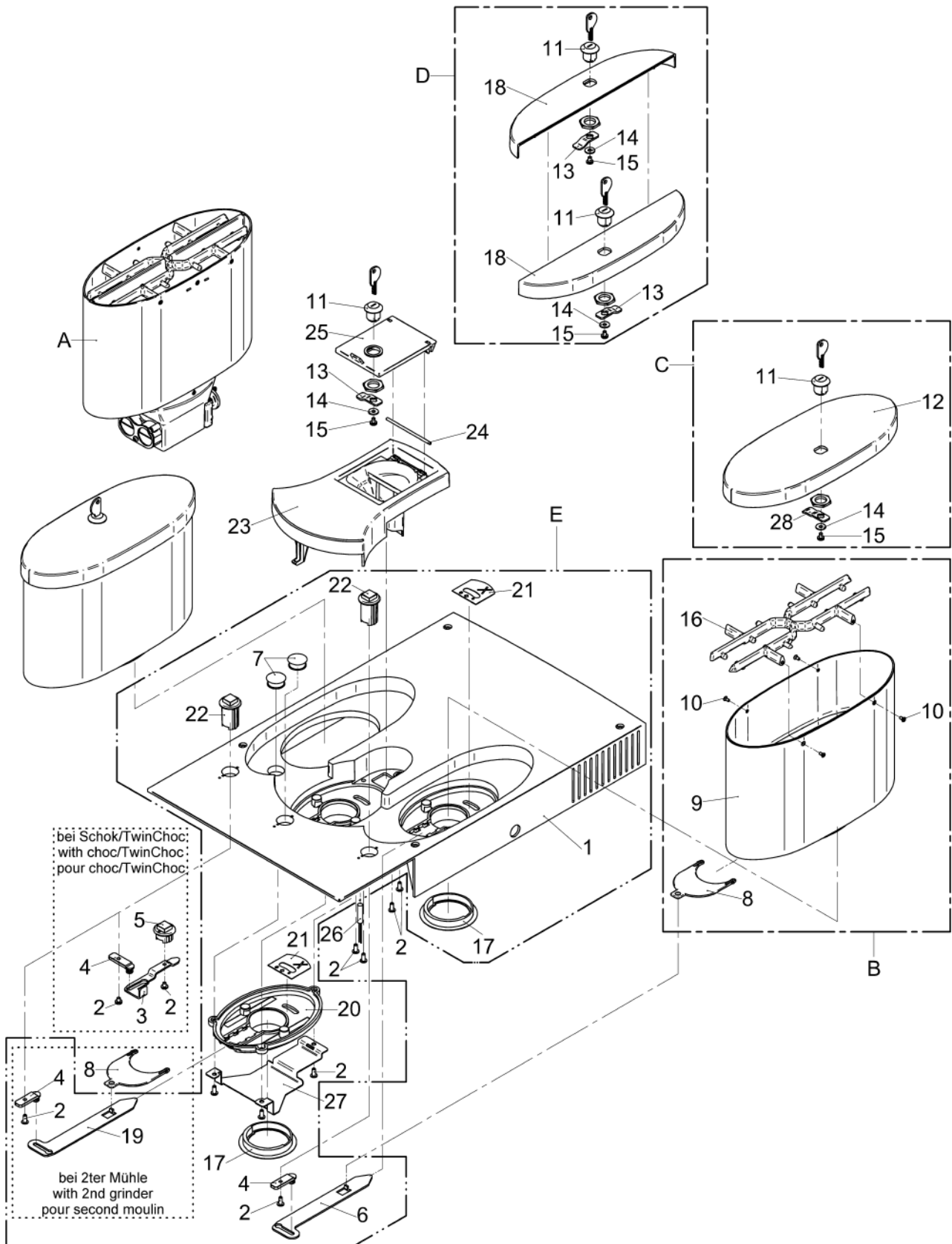
| Pos. | Art.-Nr.<br>Art. no.         | Bezeichnung<br>Tech-Info<br>Service-Info  | Designation<br>Tech-Info<br>Service-Info   | EA1 | EA2 |
|------|------------------------------|---|--|-----|-----|
| 20   | <a href="#">33.2503.6000</a> | O-Ring 23,47x2,62 EPDM<br>geschmiert mit Molykote 111,<br>Mat.-Nr. 00 0048 7705 | O-ring, 23.47x2.62 EPDM<br>lubricated with Molykote 111,<br>material number 00 0048 7705 | -   | -   |
| 21   | 33.2503.7000                 | Anschlussstück  | connection piece   | -   | -   |
| 22   | <a href="#">33.1580.3000</a> | O-Ring 8,00x2,00 EPDM   | O-ring, 8.00x2.00 EPDM   | -   | -   |
| 23   | 33.2503.4099                 | Temperaturfühler<br>mit Kabel   | temperature sensor<br>with cable   | -   | -   |
| 24   | <a href="#">33.2503.8000</a> | Winkel  | angle  | -   | -   |
| 25   | <a href="#">33.2503.9000</a> | Mutter  | nut  | -   | -   |
| 26   | <a href="#">33.2658.7100</a> | Mischdüse, PEEK   | mixing nozzle, PEEK  | -   | -   |
| 26   | <a href="#">33.2658.7000</a> | Mischdüse   | mixing nozzle  | -   | -   |
| 26   | 33.2504.1000                 | Düse<br>3,0 kW  | nozzle<br>3.0 kW   | -   | -   |
| 27   | <a href="#">33.2508.1000</a> | Blende 2,2 mm   | aperture 2.2 mm  | -   | -   |
| 28   | 33.2324.6000                 | Klebeband<br>50x50 mm, bei Maschinen ohne<br>Steamer, Weich-Aluminium           | adhesive tape<br>50x50 mm, for machines without<br>Steamer, soft aluminium               | -   | -   |
| 29   | 33.2688.5000                 | Distanzscheibe  | spacer   | -   | -   |



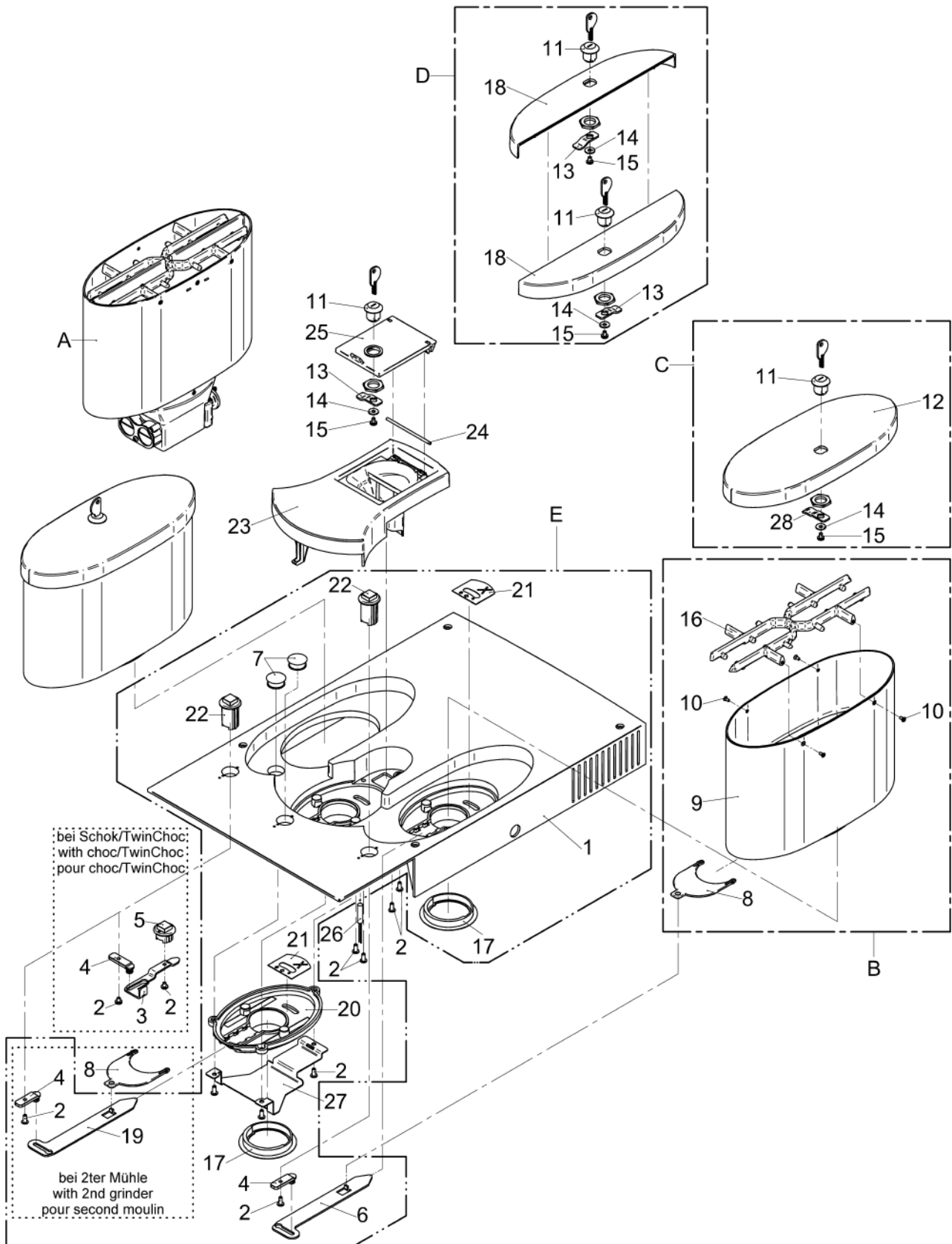
| Pos. | Art.-Nr.<br>Art. no.         | Bezeichnung<br>Tech-Info<br>Service-Info    | Designation<br>Tech-Info<br>Service-Info   | EA1 | EA2 |
|------|------------------------------|---|--|-----|-----|
| 1    | <a href="#">33.2845.4399</a> | Behälter, Twin-Choc<br>2 x Choc, kpl.       | hopper, Twin Choc<br>2 Choc, compl.        | -   | -   |
| 2    | 33.2845.4199                 | Portionierer<br>Choc groß, kpl.             | portioner<br>Choc, large, compl.           | -   | -   |
| 5    | 00.0047.3327                 | Flkupf-Schraube ISO 7045-M<br>3x22-1.4301-H | pan head screw ISO 7045-M<br>3x22-1.4301-H | -   | -   |
| 6    | 00.0047.3658                 | EJOT PT-Schraube KA 30x10-WN<br>1413-A2     | EJOT PT-screw KA 30x10-WN<br>1413-A2       | -   | -   |
| 7    | 00.0047.2097                 | Sechskantmutter ISO 10511-M<br>3-1.4301     | hexagonnut ISO 10511-M 3-1.4301            | -   | -   |
| 10   | 33.2310.2000                 | Auslauf                                     | spout                                      | -   | -   |
| 11   | 33.2314.9000                 | Blech                                       | plate                                      | -   | -   |
| 12   | 33.2314.8000                 | Blech<br>Twin-Choc                          | plate<br>Twin Choc                         | -   | -   |
| 14   | 00.0047.3652                 | EJOT PT-Schraube KA 40x25-WN<br>1412-A2     | EJOT PT-screw KA 40x25-WN<br>1412-A2       | -   | -   |
| 15   | 33.2311.2000                 | Klammer                                     | clamp                                      | -   | -   |
| 19   | 00.0047.3642                 | EJOT PT-Schraube KA 30x16-WN<br>1411-A2     | EJOT PT-screw KA 30x16-WN<br>1411-A2       | -   | -   |
| 20   | 33.2456.6000                 | Eingreifschutz                              | intervening protection                     | -   | -   |
| 21   | 00.0047.3328                 | Flkupf-Schraube ISO 7045-M<br>3x25-1.4301-H | pan head screw ISO 7045-M<br>3x25-1.4301-H | -   | -   |
| 22   | <a href="#">33.2333.8000</a> | Blech                                       | plate                                      | -   | -   |
| 23   | 33.2314.5000                 | Motor<br>lange Welle                        | MOTOR<br>long shaft                        | -   | 1   |
| 24   | 00.0047.3329                 | Flkupf-Schraube ISO 7045-M<br>3x28-1.4301-H | pan head screw ISO 7045-M<br>3x28-1.4301-H | -   | -   |
| 25   | <a href="#">33.2310.5000</a> | Winkel<br>Motor                             | angle<br>motor                             | -   | -   |
| 28   | 33.2310.6000                 | Blech<br>Motor                              | plate<br>motor                             | -   | -   |
| 29   | 33.2330.1000                 | Blech<br>Motor                              | plate<br>motor                             | -   | -   |



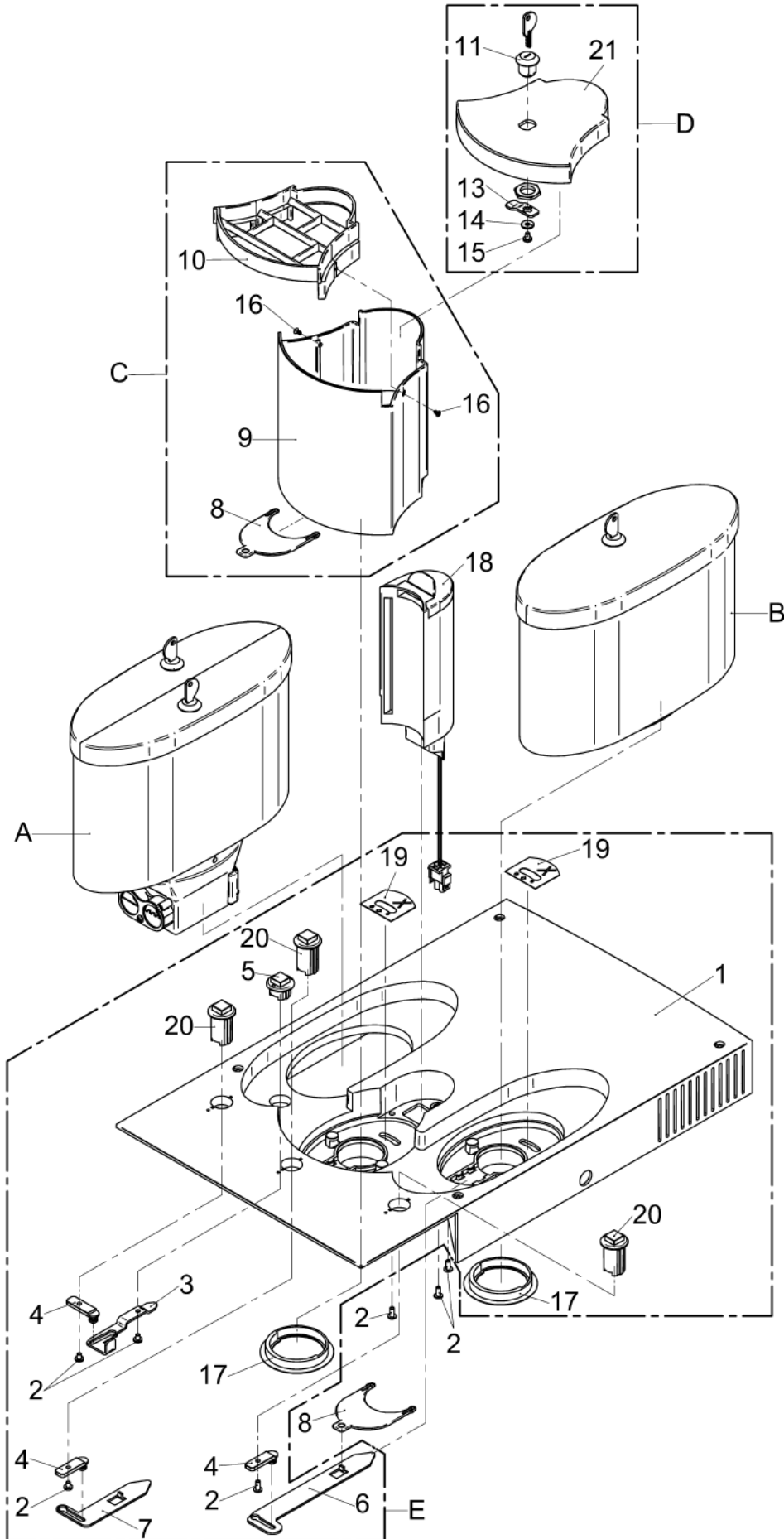
| Pos. | Art.-Nr.<br>Art. no.         | Bezeichnung<br>Tech-Info<br>Service-Info  | Designation<br>Tech-Info<br>Service-Info                       | EA1 | EA2 |
|------|------------------------------|---|--|-----|-----|
| 30   | <a href="#">33.2310.7000</a> | Mitnehmer<br>Antrieb Twin                 | pusher<br>drive, Twin  | -   | -   |
| 34   | <a href="#">33.2311.8000</a> | Trichter                                  | funnel   | -   | -   |
| 37   | 33.7006.9384                 | Lagerbock                                 | bearing block  | -   | -   |
| 39   | <a href="#">33.2321.6000</a> | Mitnehmer<br>Abtrieb                      | pusher<br>output   | -   | -   |
| 41   | 33.2509.4000                 | Blindstopfen                              | blind plug   | -   | -   |
| A    | 33.2851.4000                 | Schnecke<br>kpl.                          | worm<br>compl.   | -   | -   |
| B    | 33.2827.6000                 | Antriebsschnecke<br>Choc groß, kpl.       | drive worm<br>Choc, large, compl.                              | -   | -   |
| C    | <a href="#">33.2314.5099</a> | Motor 24V<br>kurze Welle inkl. Entstörung | motor 24V<br>short shaft including interference<br>suppression | -   | -   |
| D    | <a href="#">33.2314.6099</a> | Motor 24V<br>lange Welle inkl. Entstörung | motor 24V<br>long shaft including interference<br>suppression  | -   | -   |



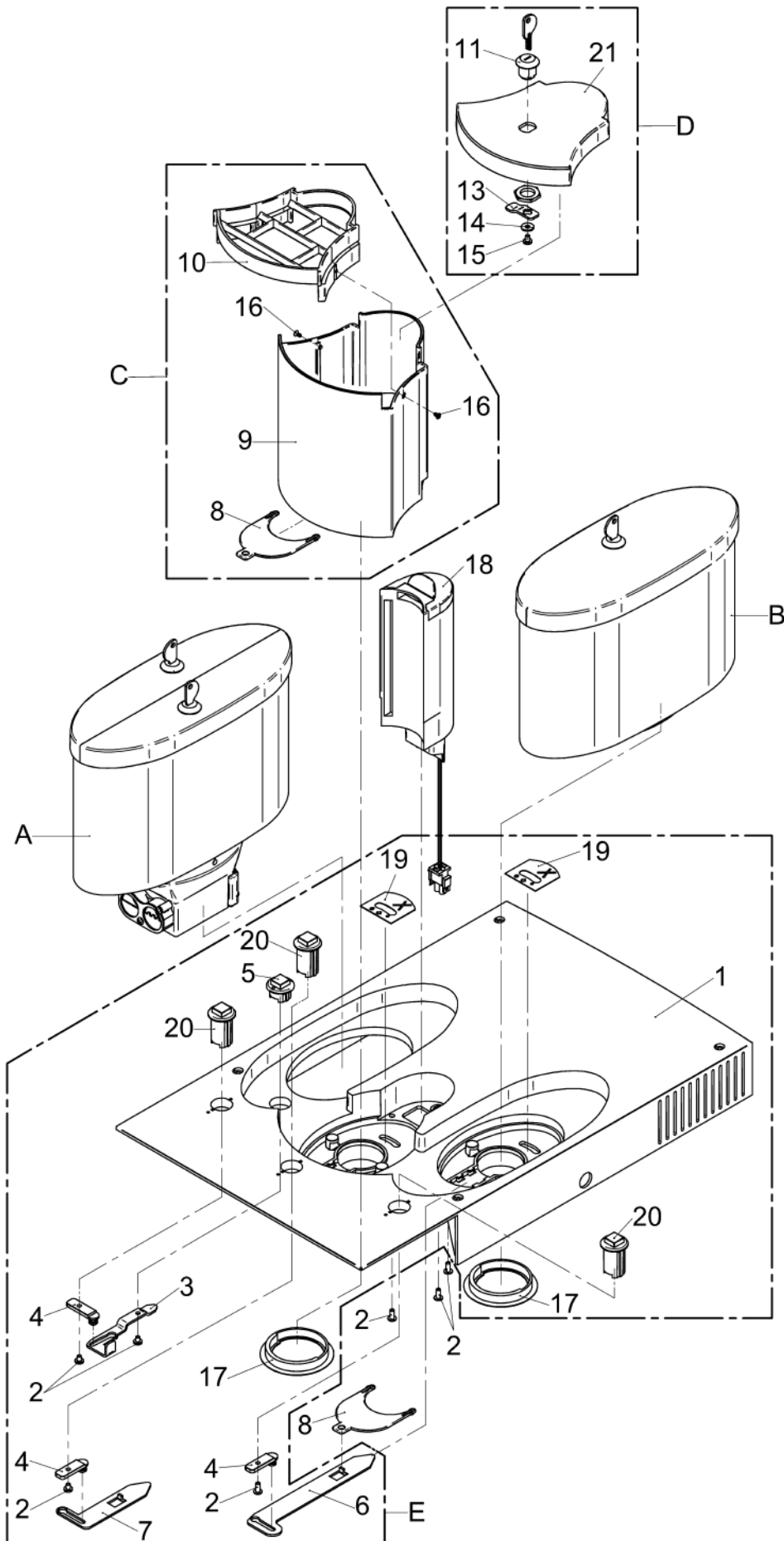
| Pos. | Art.-Nr.<br>Art. no.         | Bezeichnung<br>Tech-Info<br>Service-Info          | Designation<br>Tech-Info<br>Service-Info   | EA1 | EA2 |
|------|------------------------------|---|--|-----|-----|
| 1    | 33.2503.2000                 | Maschinendeckel                                   | top cover                                  | -   | -   |
| 2    | 00.0047.3653                 | EJOT PT-Schraube KA 40x10 WN<br>1411-A2           | EJOT PT-screw KA 40x10 WN<br>1411-A2       | -   | -   |
| 3    | 33.2311.4100                 | Schließhebel<br>Verriegelung, Twin                | locking lever<br>lock, Twin                | -   | -   |
| 4    | <a href="#">33.2265.0000</a> | Hebel, Verschluss<br>Hebel                        | lever, lock<br>lever                       | -   | -   |
| 5    | <a href="#">33.2265.2000</a> | Verschluss<br>Knopf                               | lock<br>button                             | -   | -   |
| 6    | 33.2311.3000                 | Verschluss, Schieber, lang<br>rechts              | lock, slider, long<br>right                | -   | -   |
| 7    | 33.1531.4000                 | Abdeckkappe                                       | cap  | -   | -   |
| 8    | <a href="#">33.2265.5000</a> | Platte, Verschluss                                | plate, lock                                | -   | -   |
| 9    | 33.2311.0000                 | Bohnenbehälter, groß                              | bean hopper, large                         | -   | -   |
| 10   | 00.0047.3658                 | EJOT PT-Schraube KA 30x10-WN<br>1413-A2           | EJOT PT-screw KA 30x10-WN<br>1413-A2       | -   | -   |
| 11   | <a href="#">33.2071.8000</a> | Zylinderschloss                                   | cylinder lock                              | -   | -   |
| 12   | 33.2464.5100                 | Deckel, groß, abschließbar, schwarz               | lid, large, lockable, black                | -   | -   |
| 13   | 33.2299.8000                 | Schließhebel                                      | locking lever                              | -   | -   |
| 14   | 00.0047.2197                 | Scheibe ISO<br>7093-1-4-200HV-1.4301              | washer ISO 7093-1-4-200HV-1.4301           | -   | -   |
| 15   | 00.0047.3358                 | Flkopf-Schraube ISO 7045-M 4x<br>6-1.4301-H       | pan head screw ISO 7045-M 4x<br>6-1.4301-H | -   | -   |
| 16   | 33.2456.6000                 | Eingreifschutz                                    | intervening protection                     | -   | -   |
| 17   | <a href="#">33.2508.4000</a> | Dichtung<br>Mühle                                 | seal<br>grinder                            | -   | -   |
| 18   | 33.2464.6100                 | Deckel<br>Twin groß, abschließbar,<br>schwarzgrau | lid<br>Twin large, lockable, dark grey     | -   | -   |
| 19   | 33.2279.5000                 | Verschluss, Schieber, lang, links                 | lock, slider, long, left                   | -   | -   |



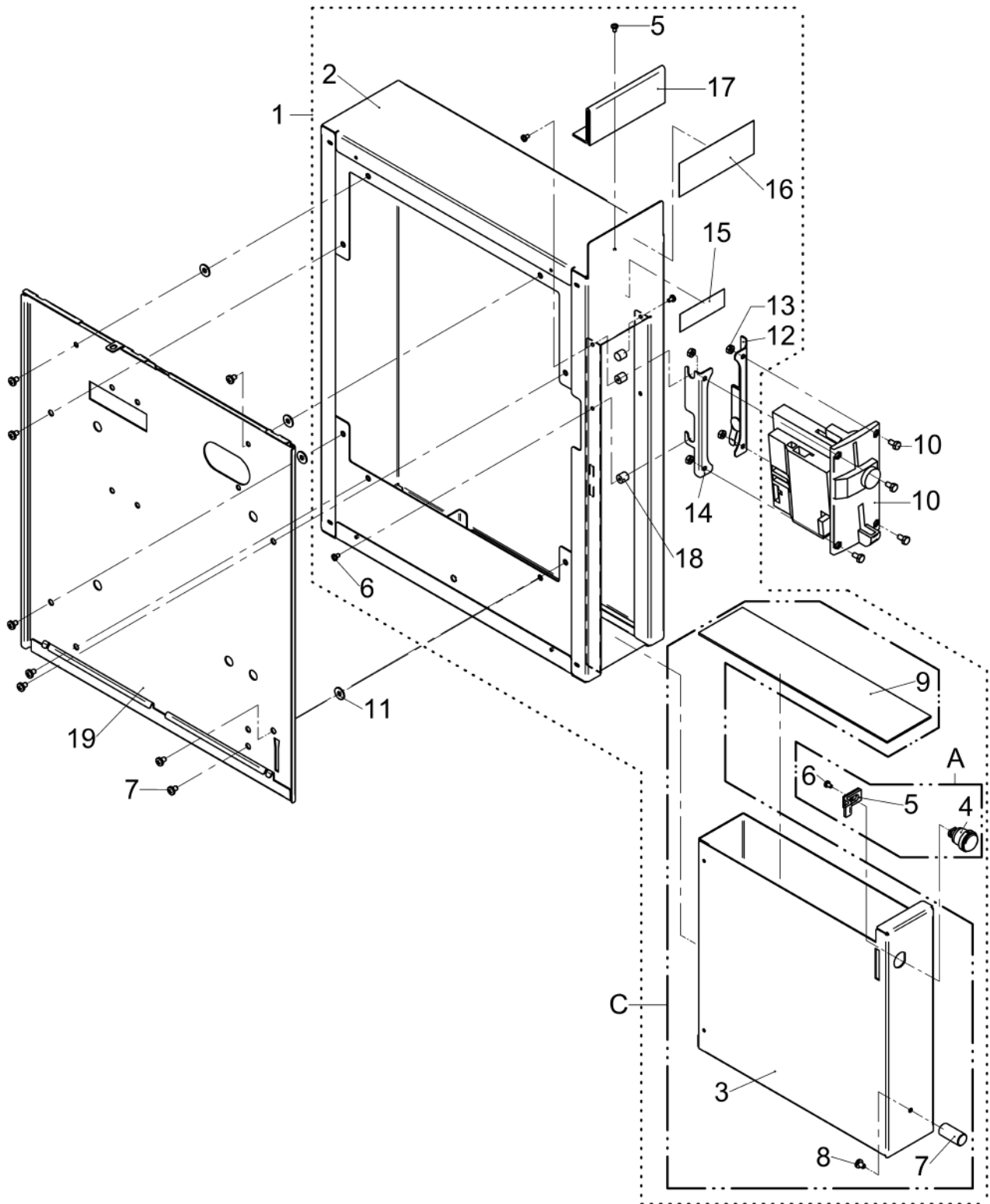
| Pos. | Art.-Nr.<br>Art. no.         | Bezeichnung<br>Tech-Info<br>Service-Info                     | Designation<br>Tech-Info<br>Service-Info                  | EA1 | EA2 |
|------|------------------------------|--|---|-----|-----|
| 20   | 33.2265.4000                 | Schraubeinsatz<br>nur bei 1 oder 2 Mühlen                    | screw insert<br>only for 1 or 2 grinders                  | -   | -   |
| 21   | 33.2319.6000                 | Klebeschild, Eingreifschutz                                  | adhesive label, intervening protection                    | -   | -   |
| 22   | 33.2272.3000                 | Verschluss<br>Knopf, lang                                    | lock<br>button, long                                      | -   | -   |
| 23   | 33.2505.6000                 | Adapter<br>2 Produkte  | Adaptor<br>2 products                                     | -   | -   |
| 24   | <a href="#">33.2271.1000</a> | Welle  | shaft   | -   | -   |
| 25   | <a href="#">33.2296.7000</a> | Handeinwurfdeckel<br>abschließbar                            | manual insert lid<br>lockable                             | -   | -   |
| 26   | <a href="#">33.1593.4000</a> | Schalter, Handeinwurf  | switch, manual insert                                     | -   | -   |
| 27   | 33.2509.1000                 | Mühlenabdeckung<br>bei einer Mühle                           | grinder cover<br>For one grinder                          | -   | -   |
| 28   | 33.2299.8100                 | Schließhebel<br>bei einteiliger Deckel                       | locking lever<br>For one-part cover                       | -   | -   |
| A    | 33.XXXX.XXXX                 | Hinweis:<br>s. Zng. Schok gross, TwinChoc                    | Note:<br>Choc/TwinChoc, see drawing Choc<br>big, TwinChoc | -   | -   |
| B    | <a href="#">33.2851.2099</a> | Bohnenbehälter, groß<br>kpl.                                 | bean hopper, large<br>compl.                              | -   | -   |
| C    | <a href="#">33.2806.3100</a> | Deckel, groß<br>abschließbar, schwarzgrau                    | lid, large<br>lockable, black grey                        | -   | -   |
| D    | 33.2806.4100                 | Deckel, Twin<br>abschließbar, schwarzgrau                    | lid, Twin<br>lockable, black grey                         | -   | -   |
| E    | 33.2854.4000                 | Maschinendeckel<br>ohne Choc, enthält NICHT Pos. 27,<br>kpl. | top cover<br>no Choc, does NOT include item 27,<br>compl. | -   | -   |
| E    | 33.2854.5000                 | Maschinendeckel<br>mit Choc, siehe Zeichnung 18.1, kpl.      | top cover<br>balanced, see drawing 18.1, compl.           | -   | -   |



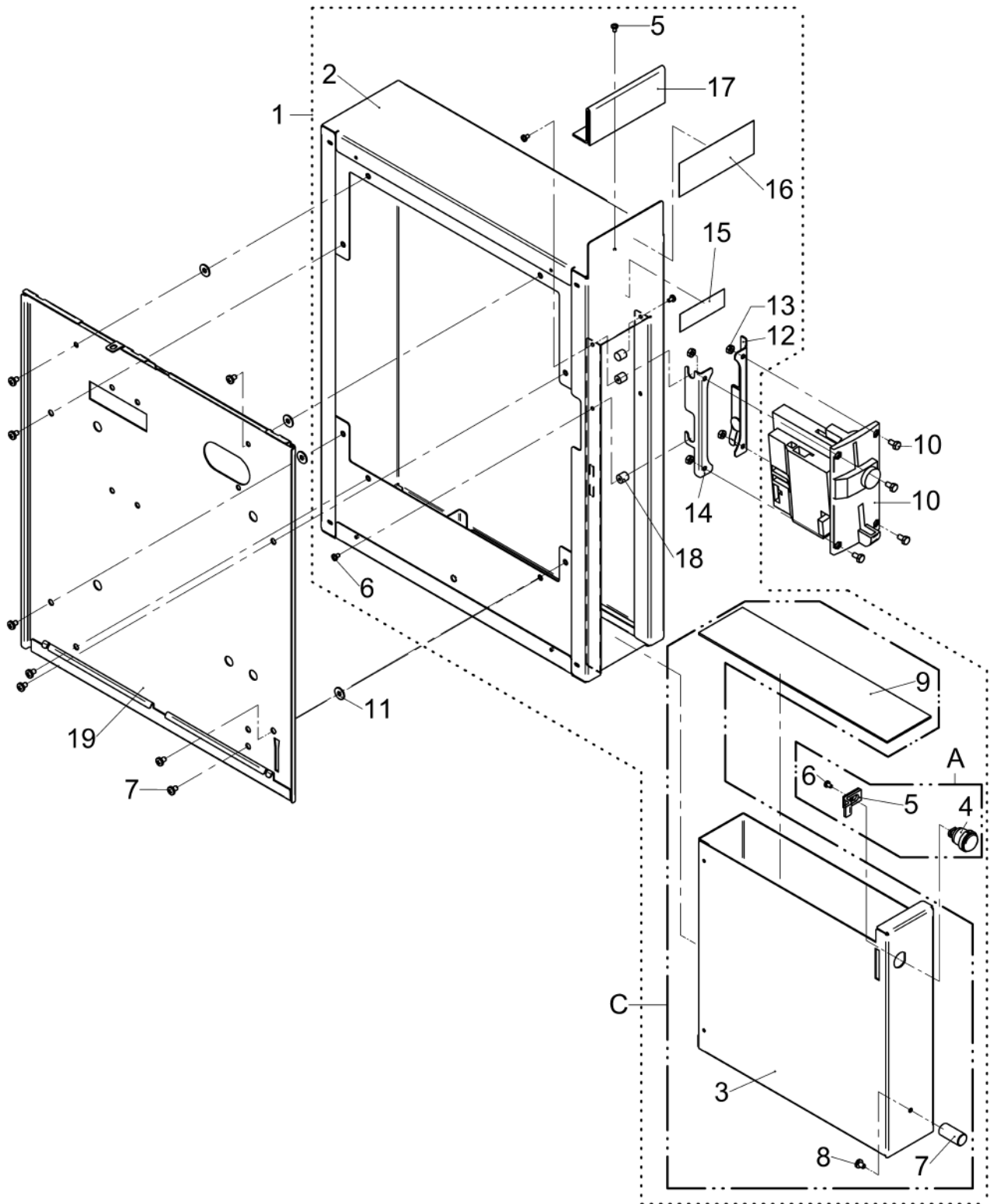
| Pos. | Art.-Nr.<br>Art. no.         | Bezeichnung<br>Tech-Info<br>Service-Info    | Designation<br>Tech-Info<br>Service-Info   | EA1 | EA2 |
|------|------------------------------|---|--|-----|-----|
| 1    | 33.2503.2000                 | Maschinendeckel                             | top cover                                  | -   | -   |
| 2    | 00.0047.3653                 | EJOT PT-Schraube KA 40x10 WN<br>1411-A2     | EJOT PT-screw KA 40x10 WN<br>1411-A2       | -   | -   |
| 3    | 33.2311.4100                 | Schließhebel<br>Verriegelung, Twin          | locking lever<br>lock, Twin                | -   | -   |
| 4    | <a href="#">33.2265.0000</a> | Hebel, Verschluss                           | lever, lock                                | -   | -   |
| 5    | <a href="#">33.2265.2000</a> | Verschluss<br>Knopf                         | lock<br>button                             | -   | -   |
| 6    | 33.2311.3000                 | Verschluss, Schieber, lang<br>rechts        | lock, slider, long<br>right                | -   | -   |
| 7    | <a href="#">33.2317.7000</a> | Verschluss, Schieber<br>kurz                | lock, slider<br>short                      | -   | -   |
| 8    | <a href="#">33.2265.5000</a> | Platte, Verschluss                          | plate, lock                                | -   | -   |
| 9    | 33.2506.4000                 | Bohnenbehälter<br>Mitte                     | bean hopper<br>center                      | -   | -   |
| 10   | 33.2505.3000                 | Eingreifschutz                              | intervening protection                     | -   | -   |
| 11   | <a href="#">33.2071.8000</a> | Zylinderschloss                             | cylinder lock                              | -   | -   |
| 12   | 33.2464.5100                 | Deckel, groß, abschließbar, schwarz         | lid, large, lockable, black                | -   | -   |
| 13   | 33.2299.8000                 | Schließhebel                                | locking lever                              | -   | -   |
| 14   | 00.0047.2197                 | Scheibe ISO<br>7093-1-4-200HV-1.4301        | washer ISO 7093-1-4-200HV-1.4301           | -   | -   |
| 15   | 00.0047.3358                 | Flkopf-Schraube ISO 7045-M 4x<br>6-1.4301-H | pan head screw ISO 7045-M 4x<br>6-1.4301-H | -   | -   |
| 16   | 00.0047.3657                 | EJOT PT-Schraube KA 30x 6-WN<br>1413-A2     | EJOT PT-screw KA 30x 6-WN<br>1413-A2       | -   | -   |
| 17   | <a href="#">33.2508.4000</a> | Dichtung<br>Mühle                           | seal<br>grinder                            | -   | -   |
| 18   | <a href="#">33.2824.9000</a> | Tabletteneinwurf<br>kpl.                    | tablet insert<br>compl.                    | -   | -   |
| 19   | 33.2319.6000                 | Klebeschild, Eingreifschutz                 | adhesive label, intervening protection     | -   | -   |



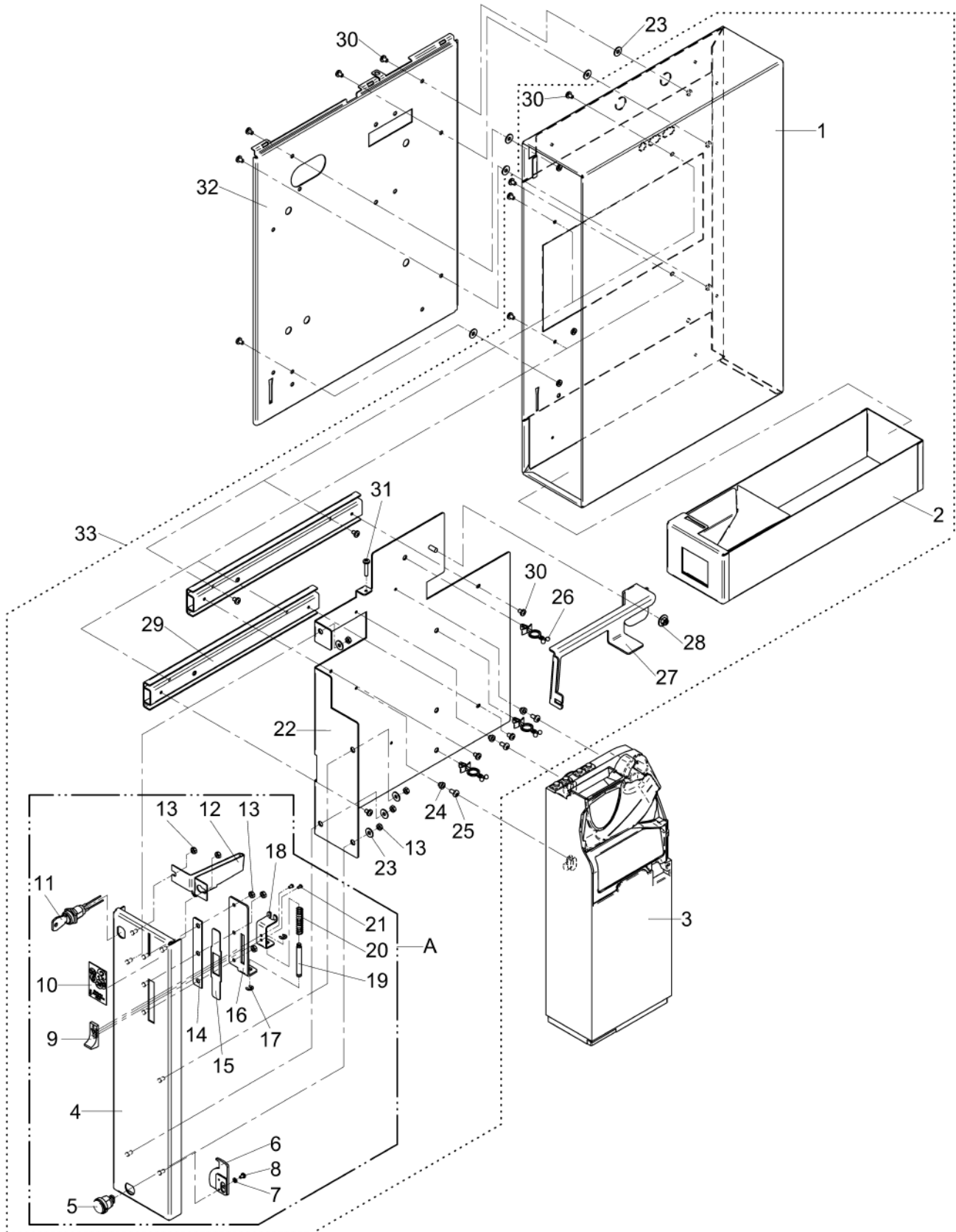
| Pos. | Art.-Nr.<br>Art. no. | Bezeichnung<br>Tech-Info<br>Service-Info                              | Designation<br>Tech-Info<br>Service-Info                         | EA1 | EA2 |
|------|----------------------|---|--|-----|-----|
| 20   | 33.2272.3000         | Verschluss<br>Knopf, lang   | lock<br>button, long   | -   | -   |
| 21   | 33.2505.4000         | Deckel<br>Produktbehälter, Mitte                                      | lid<br>product hopper, center                                    | -   | -   |
| A    | 33.XXXX.XXXX         | Hinweis:<br>s. Zng. Schok gross, TwinChoc                             | Note:<br>Choc/TwinChoc, see drawing Choc<br>big, TwinChoc        | -   | -   |
| B    | 33.XXXX.XXXX         | Hinweis:<br>Bohnenbehälter gross, siehe<br>Maschinendeckel 2 Produkte | Note:<br>beans container big, see drawing top<br>cover 2 hoppers | -   | -   |
| C    | 33.2854.2000         | Bohnenbehälter<br>kpl.  | bean hopper<br>compl.  | -   | -   |
| D    | 33.2854.3000         | Deckel<br>mit Schloss, kpl.   | lid<br>lockable, compl.  | -   | -   |
| E    | 33.2854.5000         | Maschinendeckel<br>mit Choc, kpl.                                     | top cover<br>with Choc, compl.                                   | -   | -   |



| Pos. | Art.-Nr.<br>Art. no. | Bezeichnung<br>Tech-Info<br>Service-Info        | Designation<br>Tech-Info<br>Service-Info                 | EA1 | EA2 |
|------|----------------------|---|--|-----|-----|
| 1    | 33.2825.1000         | Münzprüfergehäuse<br>ohne Münzprüfer-Einsatz    | coin checker housing<br>without coin checker application | -   | -   |
| 2    | 33.2825.3000         | Verkleidung<br>komplett                         | cover<br>compl.  | -   | -   |
| 3    | 33.2825.2000         | Behälter  | hopper   | -   | -   |
| 4    | 33.1529.1000         | Zylinderschloss                                 | cylinder lock  | -   | -   |
| 5    | 33.0714.2000         | Schließhebel                                    | locking lever  | -   | -   |
| 6    | 00.0047.3313         | Flkpf-Schraube ISO 7045-M 3x<br>5-1.4301-H      | pan head screw ISO 7045-M 3x<br>5-1.4301-H               | -   | -   |
| 7    | 33.2212.9000         | Griff   | handle   | -   | -   |
| 8    | 00.0047.3358         | Flkpf-Schraube ISO 7045-M 4x<br>6-1.4301-H      | pan head screw ISO 7045-M 4x<br>6-1.4301-H               | -   | -   |
| 9    | 33.2323.5000         | Einlage   | inlay  | -   | -   |
| 10   | 33.2263.2400         | Münzprüfer, MDB<br>Norwegen/Schweden            | coin checker, MDB<br>Norway/Sweden                       | -   | -   |
| 10   | 33.2263.2100         | Münzprüfer, MDB<br>CH                           | coin checker, MDB<br>Switzerland                         | -   | -   |
| 10   | 33.2263.2200         | Münzprüfer, MDB<br>GB                           | coin checker, MDB<br>GB                                  | -   | -   |
| 10   | 33.2263.2000         | Münzprüfer, MDB<br>Euro                         | coin checker, MDB<br>Euro                                | -   | -   |
| 10   | 33.2263.2900         | Münzprüfer, MDB<br>Dänemark                     | coin checker, MDB<br>Denmark                             | -   | -   |
| 10   | 33.2263.2500         | Münzprüfer, MDB<br>Schweden-Token Coffee Center | coin checker, MDB<br>Sweden-Token Coffee Center          | -   | -   |
| 11   | 00.0047.2197         | Scheibe ISO<br>7093-1-4-200HV-1.4301            | washer ISO 7093-1-4-200HV-1.4301                         | -   | -   |
| 12   | 33.2825.7000         | Winkel, Federblech, kpl.                        | angle, spring plate, compl.                              | -   | -   |
| 13   | 00.0047.2049         | Sechskantmutter ISO 4032-M<br>4-1.4301          | hexagonnut ISO 4032-M 4-1.4301                           | -   | -   |
| 14   | 33.2323.7000         | Winkel  | angle  | -   | -   |



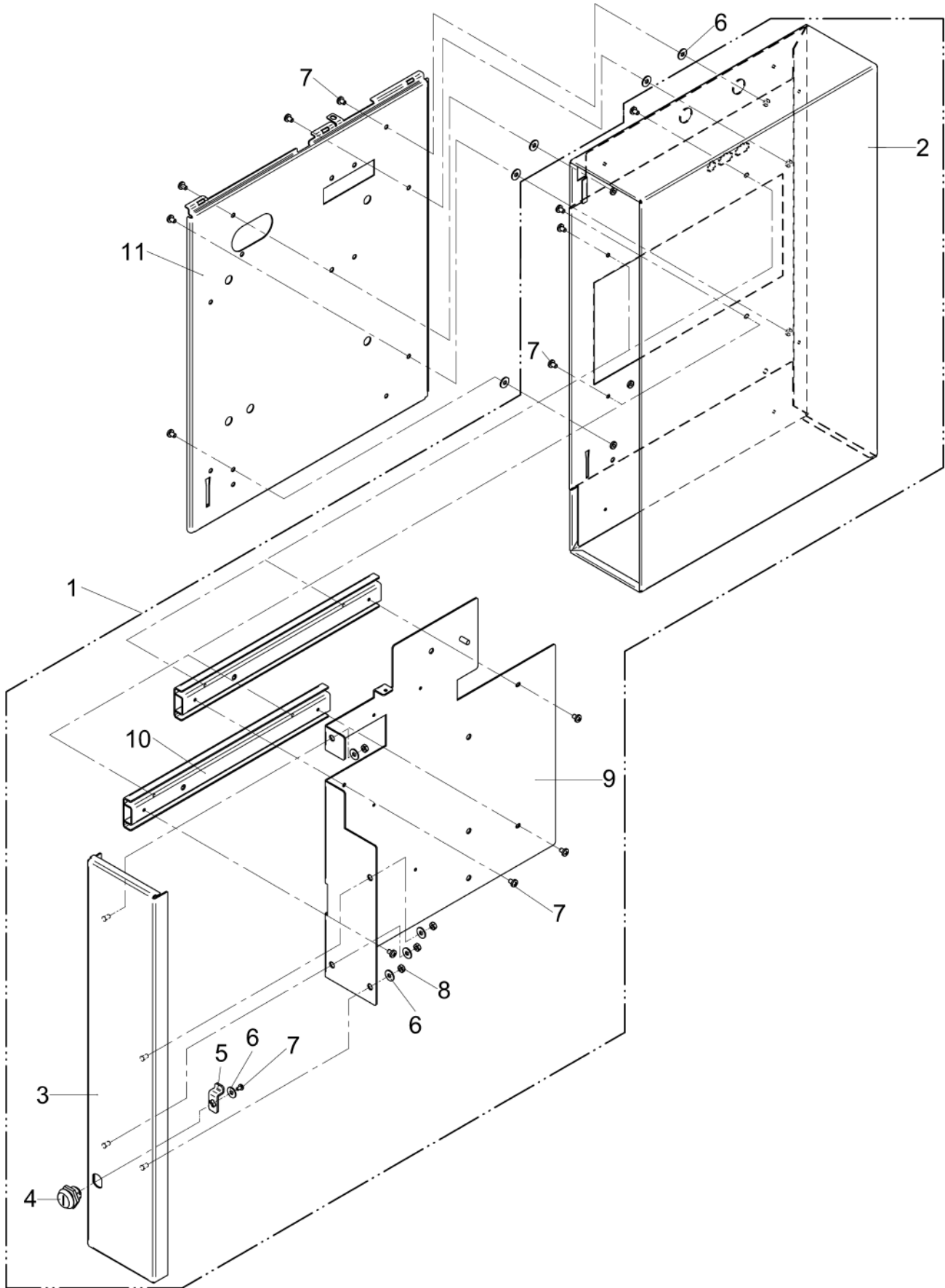
| <b>Pos.</b> | <b>Art.-Nr.<br/>Art. no.</b> | <b>Bezeichnung<br/>Tech-Info<br/>Service-Info</b> | <b>Designation<br/>Tech-Info<br/>Service-Info</b> | <b>EA1</b> | <b>EA2</b> |
|-------------|------------------------------|---|---|------------|------------|
| 15          | 33.9506.5000                 | Klebeschild                                       | adhesive labels                                   | -          | -          |
| 16          | 33.2327.8000                 | Schild<br>Euro                                    | label<br>Euro                                     | -          | -          |
| 17          | 33.2322.9000                 | Halterung, Schild                                 | holder, label                                     | -          | -          |
| 18          | 33.2287.4000                 | Bolzen  | bolt  | -          | -          |
| 19          | 33.2320.9000                 | Seitenwand, rechts                                | side cover, right                                 | -          | -          |
| A           | 33.2826.5000                 | Schloss mit Schließhebel                          | lock with locking lever                           | -          | -          |
| C           | 33.2826.7000                 | Münzkassette, kpl.                                | coin cartridge, compl.                            | -          | -          |



| Pos. | Art.-Nr.<br>Art. no. | Bezeichnung<br>Tech-Info<br>Service-Info         | Designation<br>Tech-Info<br>Service-Info          | EA1 | EA2 |
|------|----------------------|--|---|-----|-----|
| 1    | 33.2827.0000         | Verkleidung, kpl.                                | cover, compl.                                     | -   | -   |
| 2    | 33.2826.9000         | Münzkassette, kpl.                               | coin cartridge, compl.                            | -   | -   |
| 3    | 33.2589.3000         | Kombi-Münztubenkassette<br>für Münzwechsler 7900 | combo coin tube cassette<br>for coin changer 7900 | -   | -   |
| 3    | 33.2108.1299         | Münzwechsler<br>7900 MDB                         | coin changer<br>7900 MDB                          | -   | -   |
| 4    | 33.2328.7000         | Bedienblende<br>mit Schlüsselschalter            | operating panel<br>with switch lock               | -   | -   |
| 5    | 33.1529.1000         | Zylinderschloss<br>mit Schlüssel                 | cylinder lock<br>with key                         | -   | -   |
| 6    | 33.2826.2000         | Schließhebel, kpl.                               | locking lever, compl.                             | -   | -   |
| 7    | 00.0047.2250         | Zahnscheibe DIN 6797-A 3,2-1.4300                | tooth lock washer DIN 6797-A 3,<br>2-1.4300       | -   | -   |
| 8    | 00.0047.3313         | Flkpf-Schraube ISO 7045-M 3x<br>5-1.4301-H       | pan head screw ISO 7045-M 3x<br>5-1.4301-H        | -   | -   |
| 9    | 33.1482.4000         | Schieber   | slider  | -   | -   |
| 10   | 33.2336.6000         | Klebeschild                                      | adhesive labels                                   | -   | -   |
| 11   | 33.2331.5000         | Schlüsselschalter, kpl.                          | switch lock, compl.                               | -   | -   |
| 12   | 33.2826.1000         | Einwurfschacht                                   | insert chute                                      | -   | -   |
| 13   | 00.0047.2049         | Sechskantmutter ISO 4032-M<br>4-1.4301           | hexagonnut ISO 4032-M 4-1.4301                    | -   | -   |
| 14   | 33.1179.5000         | Führung  | guide   | -   | -   |
| 15   | 33.1180.7000         | Platte   | plate   | -   | -   |
| 16   | 33.1179.4000         | Führung  | guide   | -   | -   |
| 18   | 33.1179.6100         | Winkel   | angle   | -   | -   |
| 19   | 33.1368.2000         | Bolzen   | bolt  | -   | -   |



| Pos. | Art.-Nr.<br>Art. no. | Bezeichnung<br>Tech-Info<br>Service-Info   | Designation<br>Tech-Info<br>Service-Info   | EA1 | EA2 |
|------|----------------------|--|--|-----|-----|
| 20   | 33.0191.4000         | Druckfeder                                 | pressure spring                            | -   | -   |
| 21   | 00.0047.3656         | EJOT PT-Schraube KA 25x 5-WN<br>1412-A2    | EJOT PT-screw KA 25x 5-WN<br>1412-A2       | -   | -   |
| 22   | 33.2327.4000         | Winkel, Führung                            | angle, guide                               | -   | -   |
| 23   | 00.0047.2197         | Scheibe ISO<br>7093-1-4-200HV-1.4301       | washer ISO 7093-1-4-200HV-1.4301           | -   | -   |
| 24   | 33.1310.2000         | Hülse                                      | sleeve                                     | -   | -   |
| 25   | 00.0047.3361         | Flkpf-Schraube ISO 7045-M 4x<br>8-1.4301-H | pan head screw ISO 7045-M 4x<br>8-1.4301-H | -   | -   |
| 26   | 33.1502.2000         | Kabelhalterung                             | cable support                              | -   | -   |
| 27   | 33.2334.4000         | Winkel                                     | angle                                      | -   | -   |
| 28   | 00.0047.2101         | Comby-SHB-Mutter-M5-Selbstsiche<br>rnd-A2K | Comby-SHB-nut-M5-Selbstsichernd<br>-A2K    | -   | -   |
| 29   | 33.2333.1000         | Teleskopschiene<br>Paar                    | telescoping rail<br>pair                   | -   | -   |
| 30   | 00.0047.3358         | Flkpf-Schraube ISO 7045-M 4x<br>6-1.4301-H | pan head screw ISO 7045-M 4x<br>6-1.4301-H | -   | -   |
| 31   | 00.0047.3368         | Flkpf-Schraube ISO 7045-M<br>4x20-1.4301-H | pan head screw ISO 7045-M<br>4x20-1.4301-H | -   | -   |
| 32   | 33.2320.9000         | Seitenwand, rechts                         | side cover, right                          | -   | -   |
| 33   | 33.2808.9000         | Münzwechsler, Anbaugehäuse                 | coin changer, add-on housing               | -   | -   |
| 99   | 33.2330.7000         | Kabel MDB-MW                               | Cabel MDB-MW                               | -   | -   |
| 99   | 33.4087.9000         | Adapterkabel                               | adapter cable                              | -   | -   |
| A    | 33.2819.3000         | Bedienblende, kpl.                         | operating panel, compl.                    | -   | -   |

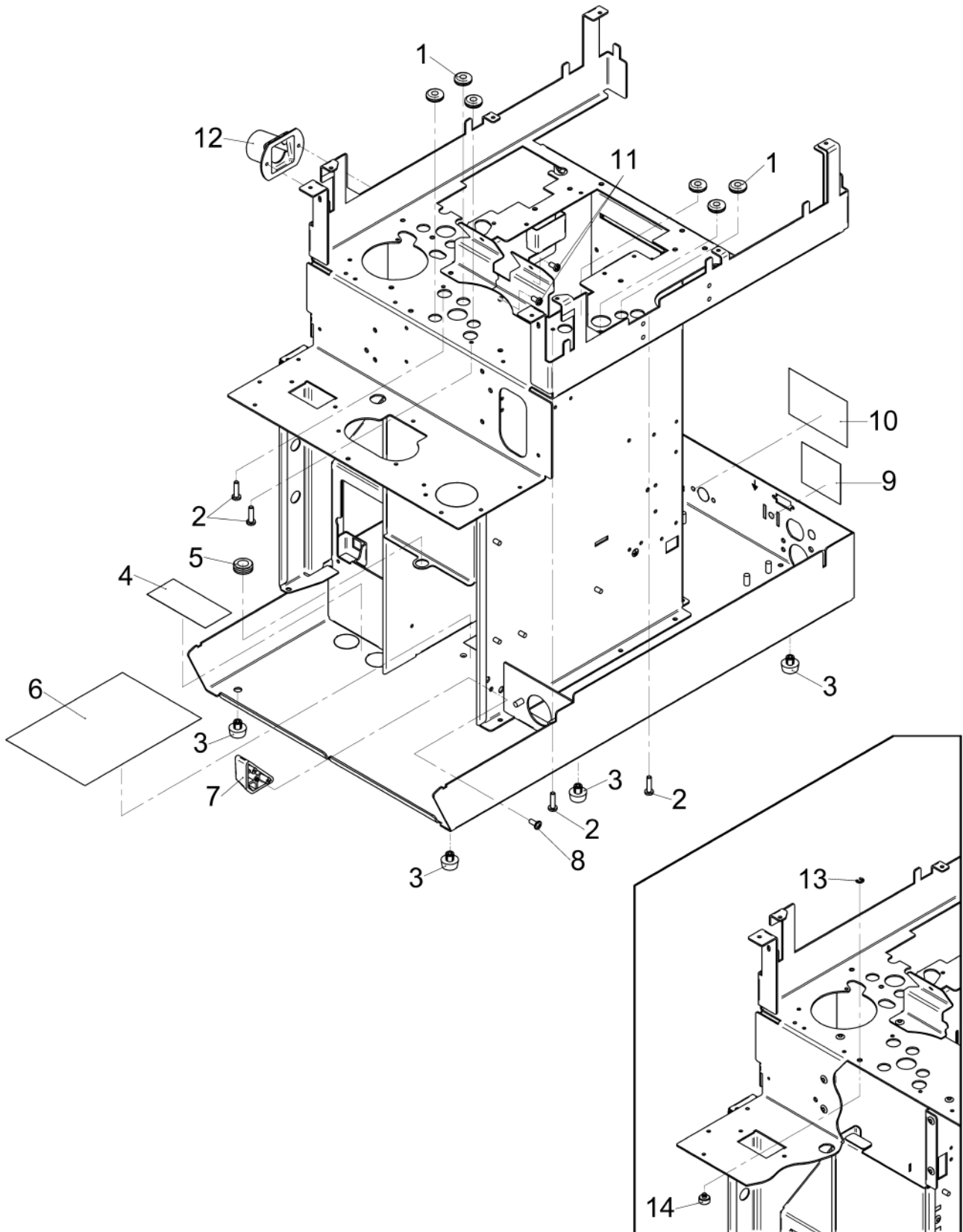


| Pos. | Art.-Nr.<br>Art. no.         | Bezeichnung<br>Tech-Info<br>Service-Info    | Designation<br>Tech-Info<br>Service-Info   | EA1 | EA2 |
|------|------------------------------|---|--|-----|-----|
| 1    | 33.2808.8000                 | Kartenleser<br>Anbaugehäuse                 | card reader                                | -   | -   |
| 2    | 33.2808.4000                 | Verkleidung                                 | cover                                      | -   | -   |
| 2    | 33.2808.4100                 | Verkleidung<br>zum Anbau für Münzwechsler   | cover<br>for assembling coin changer       | -   | -   |
| 3    | 33.2355.2000                 | Bedienblende<br>ohne Schlüsselschalter      | operating panel<br>without switch lock     | -   | -   |
| 4    | <a href="#">33.2071.8000</a> | Zylinderschloss                             | cylinder lock                              | -   | -   |
| 5    | 33.2119.3000                 | Schließhebel                                | locking lever                              | -   | -   |
| 6    | 00.0047.2197                 | Scheibe ISO<br>7093-1-4-200HV-1.4301        | washer ISO 7093-1-4-200HV-1.4301           | -   | -   |
| 7    | 00.0047.3358                 | Flkopf-Schraube ISO 7045-M 4x<br>6-1.4301-H | pan head screw ISO 7045-M 4x<br>6-1.4301-H | -   | -   |
| 8    | 00.0047.2049                 | Sechskantmutter ISO 4032-M<br>4-1.4301      | hexagonnut ISO 4032-M 4-1.4301             | -   | -   |
| 9    | 33.2327.4000                 | Winkel, Führung                             | angle, guide                               | -   | -   |
| 10   | 33.2333.1000                 | Teleskopschiene<br>Paar                     | telescoping rail<br>pair                   | -   | -   |
| 11   | 33.2320.9000                 | Seitenwand, rechts                          | side cover, right                          | -   | -   |
| 99   | 33.4087.9000                 | Adapterkabel<br>MDB 2-fach                  | adapter cable                              | -   | -   |
| 99   | 33.2330.7000                 | Kabel MDB-MW<br>MDB-MW                      | Cabel MDB-MW<br>MDB-MW                     | -   | -   |

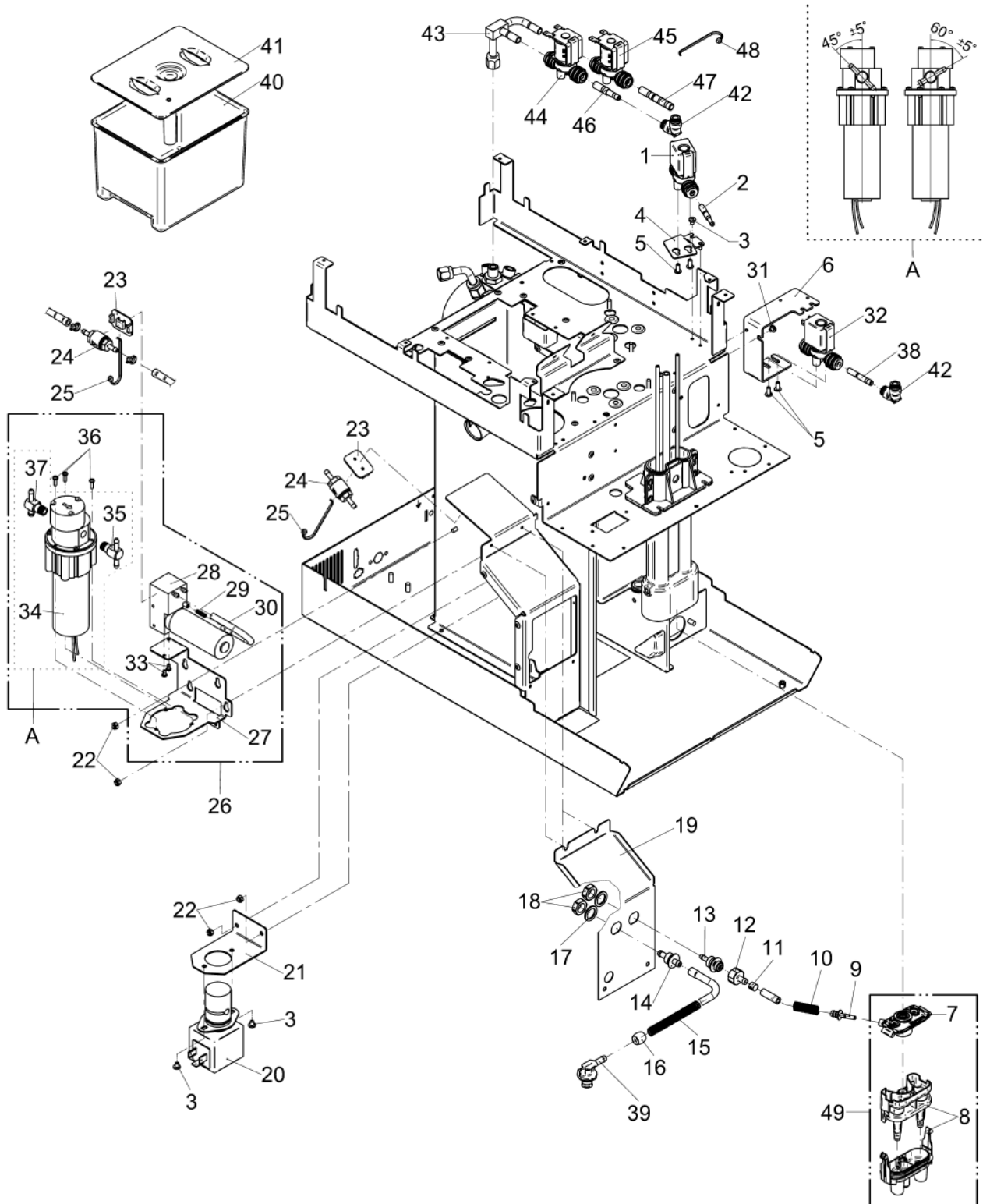
**keine Illustration**

**no illustration**

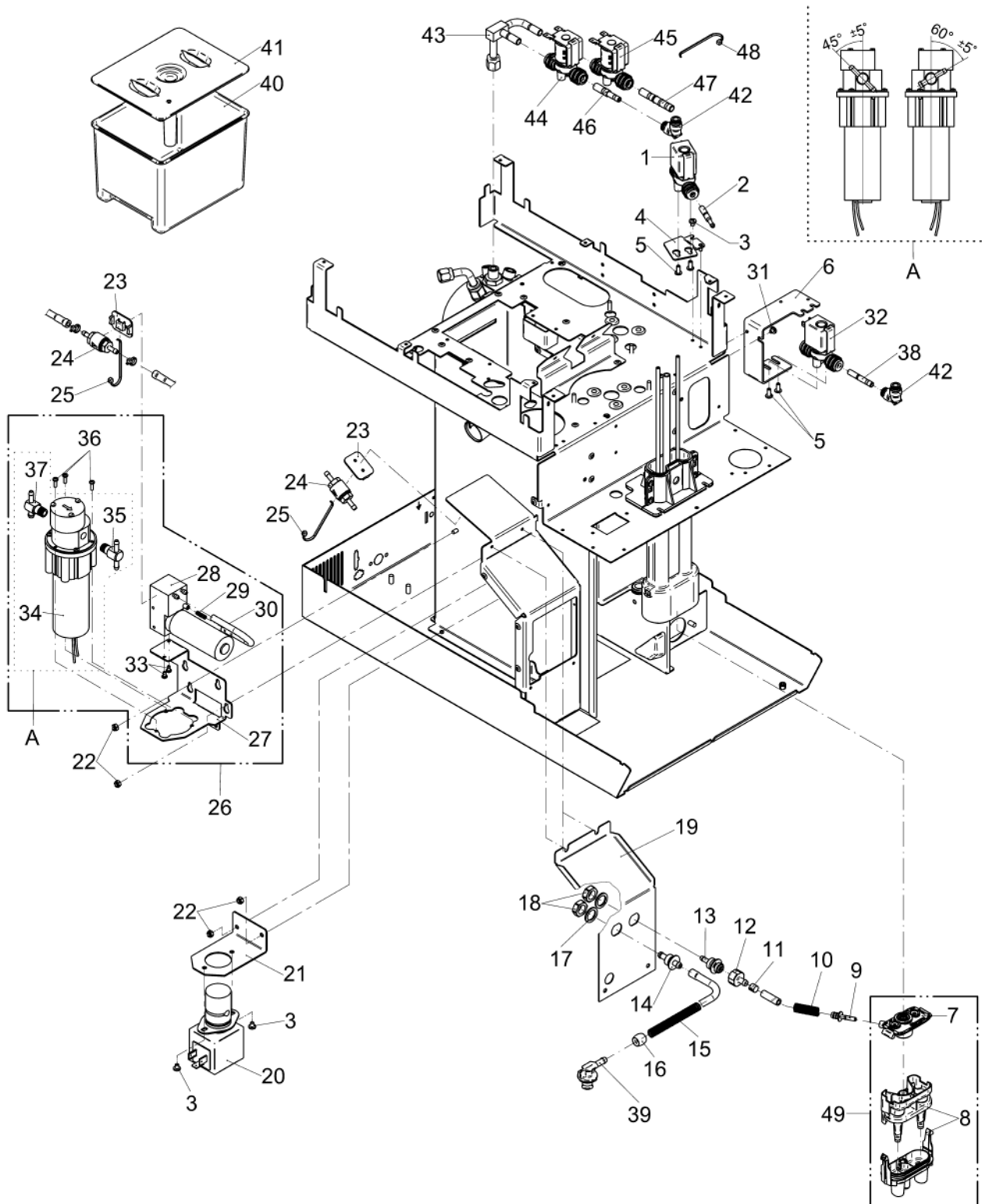
| Pos. | Art.-Nr.<br>Art. no. | Bezeichnung<br>Tech-Info<br>Service-Info                                    | Designation<br>Tech-Info<br>Service-Info                                       | EA1 | EA2 |
|------|----------------------|---|--|-----|-----|
| 1    | 33.3311.2000         | Münzprüfer, Euroeinsatz,<br>Prestofamilie                                   | coin c. EUR presto-family  | -   | -   |
| 3    | 33.3312.8000         | Nachrüstsatz, Geldscheinleser<br>MaasVN2503 o. CoincoBP2BX                  | retrofit kit, bill reader<br>MaasVN2503 or CoincoBP2BX                         | -   | -   |
| 4    | 33.3316.7000         | Nachrüstsatz, LED-Beleuchtung<br>WMF 2000                                   | retrofit kit LED illumination  | -   | -   |
| 5    | 33.3316.8000         | Nachrüstsatz, Schäumerspülung<br>WMF 2000                                   | retrofit kit foamer rinsing  | -   | -   |
| 6    | 33.3316.9000         | Nachrüstsatz, zweite Mühle WMF<br>2000                                      | retrofit kit second grinder  | -   | -   |
| 7    | 33.3317.0000         | Nachrüstsatz, Plug&Clean WMF<br>2000  | retrofit kit Plug&Clean  | -   | -   |
| 8    | 33.3317.1000         | Nachrüsts. Münzwechsler<br>o.Einsatz-presto<br>ohne Einsatz, presto Familie | coin changer compl.w/o ins.-presto<br>without inner part, presto family.       | -   | -   |
| 9    | 33.3317.2000         | Nachrüsts. Kartenleser,<br>o.Einsatz-presto<br>ohne Einsatz, presto Familie | retrofit kit card reader without card re<br>without inner part, presto family. | -   | -   |
| 10   | 33.3311.3000         | Münzwechsler, Euroeinsatz,<br>Prestofamilie<br>mit Einsatz, preso Familie   | coin changer compl with insert EUR<br>prest<br>with inner part, presto family  | -   | -   |
| 11   | 33.3317.7000         | Nachrüsts., Plug&Clean ext.<br>Prestofam.                                   | retrofit kit Plug&Clean external   | -   | -   |
| 12   | 33.3319.9000         | Nachrüstsatz, RDA-Modul<br>-1700/1800                                       | retrofit kit RDA   | -   | -   |
| 13   | 33.3311.0000         | Nachrüststanz, Satz d. Theke<br>-1400/1500                                  | retrofit kit, disposal th. counter-1400  | -   | -   |



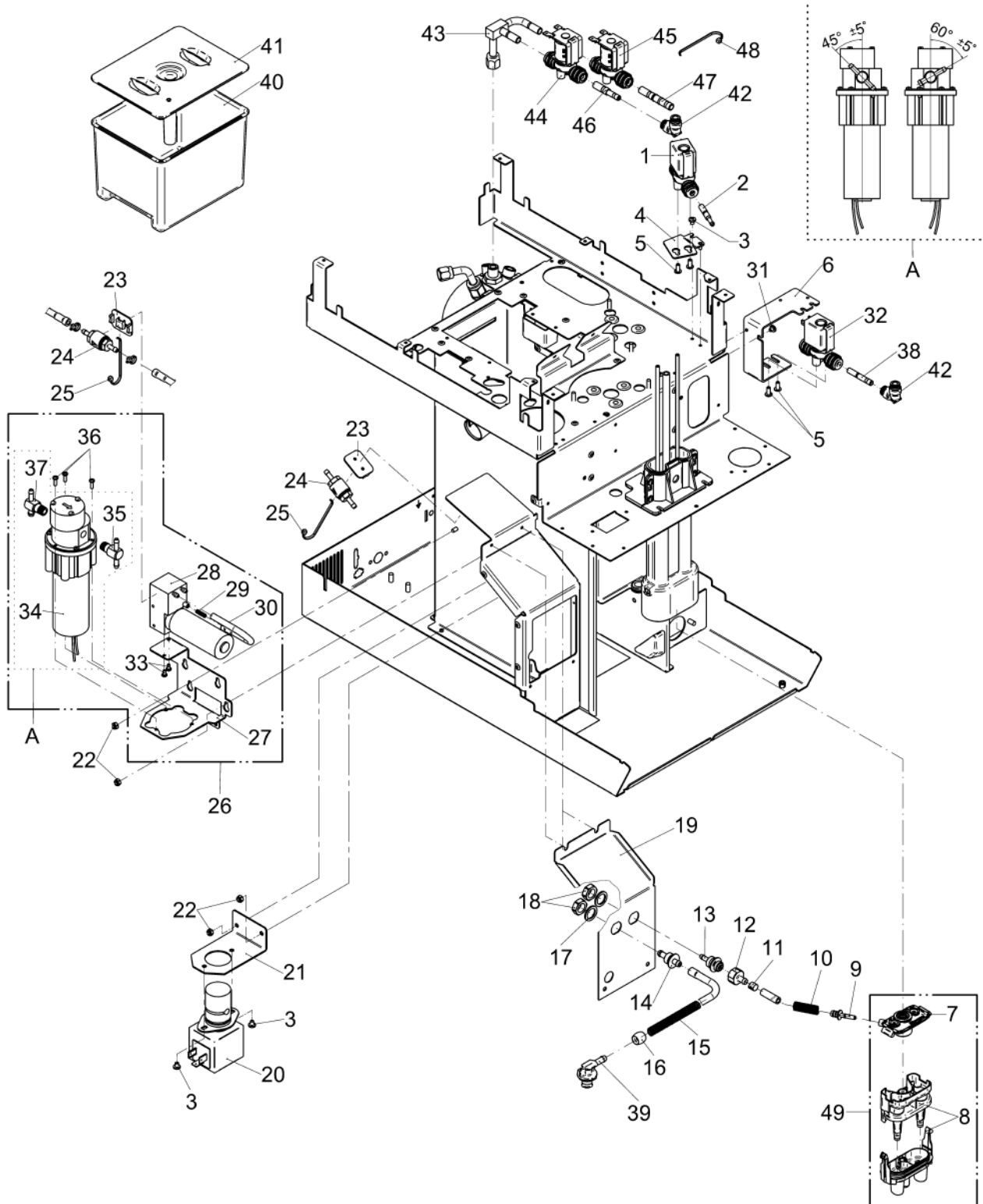
| Pos. | Art.-Nr.<br>Art. no. | Bezeichnung<br>Tech-Info<br>Service-Info    | Designation<br>Tech-Info<br>Service-Info       | EA1 | EA2 |
|------|----------------------|---|--|-----|-----|
| 1    | 33.2473.9000         | Durchführungstülle                          | rubber funnel                                  | -   | -   |
| 2    | 00.0047.3365         | Flkpf-Schraube ISO 7045-M<br>4x16-1.4301-H  | pan head screw ISO 7045-M<br>4x16-1.4301-H     | -   | -   |
| 3    | 33.2298.8000         | Fuß   | foot   | -   | -   |
| 4    | 33.2324.6000         | Klebeband<br>75x34 mm, Weich-Aluminium      | adhesive tape<br>75x34 mm, soft aluminium      | -   | -   |
| 5    | 33.0630.4000         | Durchführungstülle                          | rubber funnel                                  | -   | -   |
| 6    | 33.2324.6000         | Klebeband<br>Weich-Aluminium                | adhesive tape<br>soft aluminium                | -   | -   |
| 7    | 33.2319.4100         | Kulisse                                     | slotted link                                   | -   | -   |
| 8    | 00.0047.3653         | EJOT PT-Schraube KA 40x10 WN<br>1411-A2     | EJOT PT-screw KA 40x10 WN<br>1411-A2           | -   | -   |
| 9    | 33.2324.6000         | Klebeband<br>60x45 mm, Weich-Aluminium, USA | adhesive tape<br>60x45 mm, soft aluminium, USA | -   | -   |
| 10   | 33.2324.6000         | Klebeband<br>75x51 mm, Weich-Aluminium, USA | adhesive tape<br>75x51 mm, soft aluminium, USA | -   | -   |
| 11   | 00.0047.3627         | EJOT PT-Schraube KA 40x 8-WN<br>1412-A2     | EJOT PT-screw KA 40x 8-WN<br>1412-A2           | -   | -   |
| 12   | 33.4050.8000         | Haube                                       | cover  | -   | -   |
| 13   | 00.0047.2242         | Sicherungsscheibe DIN 6799- 3,<br>2-1.4122  | locking washer DIN 6799- 3,2-1.4122            | -   | -   |
| 14   | 33.2824.1000         | Buchse<br>Magnet                            | bushing<br>magnet                              | -   | -   |



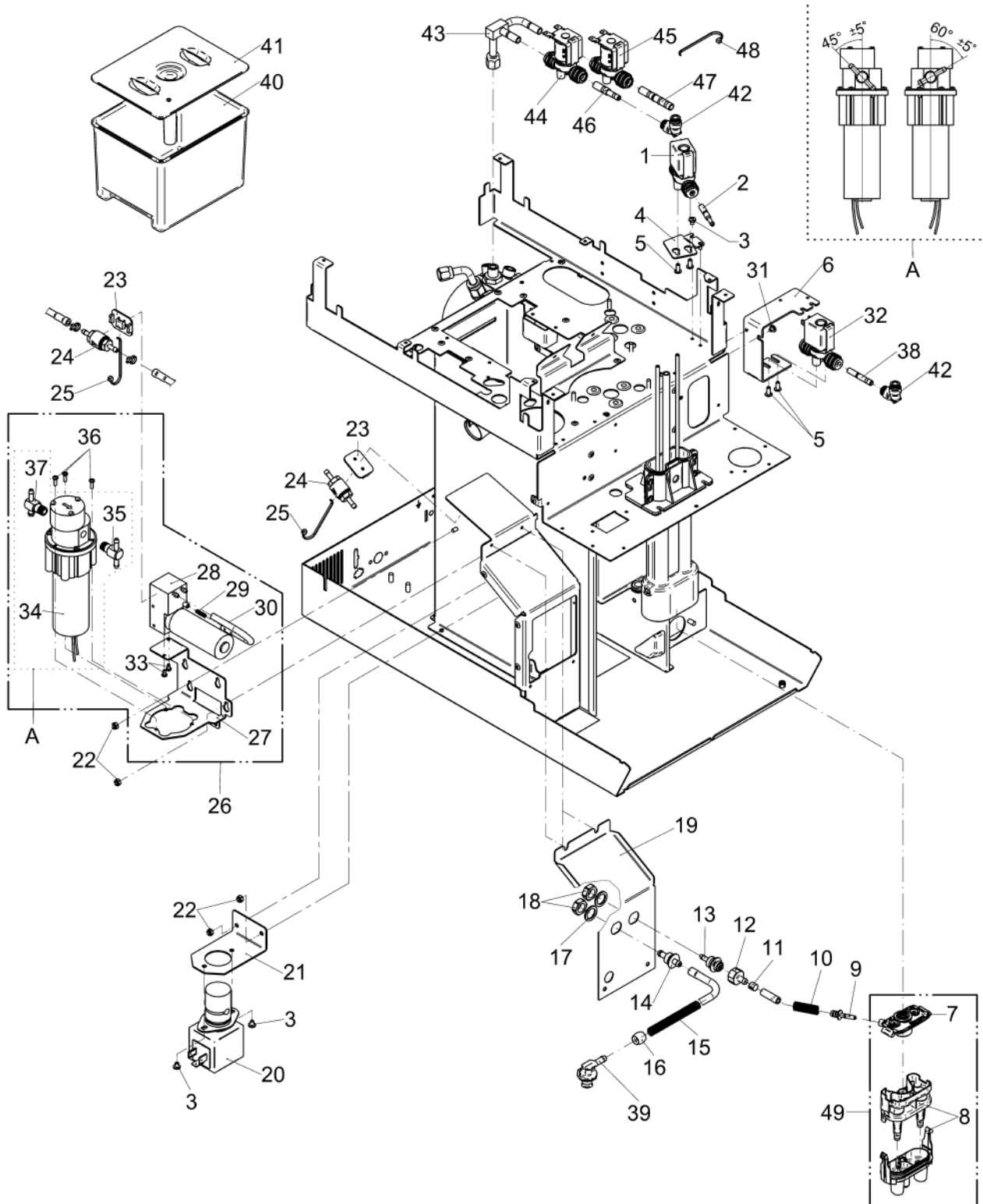
| Pos. | Art.-Nr.<br>Art. no.         | Bezeichnung<br>Tech-Info<br>Service-Info                               | Designation<br>Tech-Info<br>Service-Info  | EA1 | EA2 |
|------|------------------------------|--|---|-----|-----|
| 1    | 33.XXXX.XXXX                 | Hinweis:<br>Belüftungsventil Ventil 14, siehe Blatt<br>208             | Note:   | -   | -   |
| 2    | 33.2468.6000                 | Nippel, Schlauch   | plug, hose  | -   | -   |
| 3    | 00.0047.3356                 | Flkopf-Schraube ISO 7045-M 4x<br>5-1.4301-H                            | pan head screw ISO 7045-M 4x<br>5-1.4301-H                                      | -   | -   |
| 4    | 33.2598.3000                 | Winkel, Befestigung<br>Belüftungsventil                                | angle, fastening<br>vent valve  | -   | -   |
| 5    | 00.0047.3653                 | EJOT PT-Schraube KA 40x10 WN<br>1411-A2                                | EJOT PT-screw KA 40x10 WN<br>1411-A2  | -   | -   |
| 6    | 33.2504.8000                 | Winkel<br>Luftpumpe  | angle<br>air pump   | -   | -   |
| 7    | <a href="#">33.2864.3300</a> | Dampfdüse<br>mit Dichtung 2,3, Active Milk (AM) 3,<br>0 kW, kpl.       | steam nozzle<br>with seal 2.3, Active Milk Power<br>(AMP) model, 3.0 kW, compl. | -   | -   |
| 7    | 33.2864.3100                 | Dampfdüse<br>mit Dichtung 3,0, Active Milk Power<br>(AMP) 5,5 kW, kpl. | steam nozzle<br>with seal 3.0, Active Milk Power<br>(AMP) model, 5.5 kW, compl. | -   | -   |
| 8    | <a href="#">33.2553.1000</a> | Milchschaumer, doppel<br>kpl.  | milk foamer, double<br>compl.   | -   | -   |
| 9    | <a href="#">33.2614.9000</a> | Düse, 1,5 mm   | nozzle, 1.5   | -   | -   |
| 10   | 33.2412.9000                 | Feder  | spring  | -   | -   |
| 11   | 33.2617.0000                 | Schlauchschelle  | hose clip   | -   | -   |
| 12   | 33.2623.1000                 | Nippel   | plug  | -   | -   |
| 13   | 33.2623.2000                 | Befestigung<br>mit O-Ring  | fastening<br>with o-ring  | -   | -   |
| 13   | 33.0397.0000                 | O-Ring 6,07x1,78 EPDM  | O-ring, 6.07x1.78 EPDM  | -   | -   |
| 14   | 33.2623.5000                 | Nippel<br>Mühleneinstellung  | plug<br>grinder setting   | -   | -   |
| 15   | <a href="#">33.0190.3000</a> | Feder  | spring  | -   | -   |
| 16   | <a href="#">33.2180.5000</a> | Hülse  | sleeve  | -   | -   |
| 17   | <a href="#">33.0062.9000</a> | Dichtring  | sealing ring  | -   | -   |



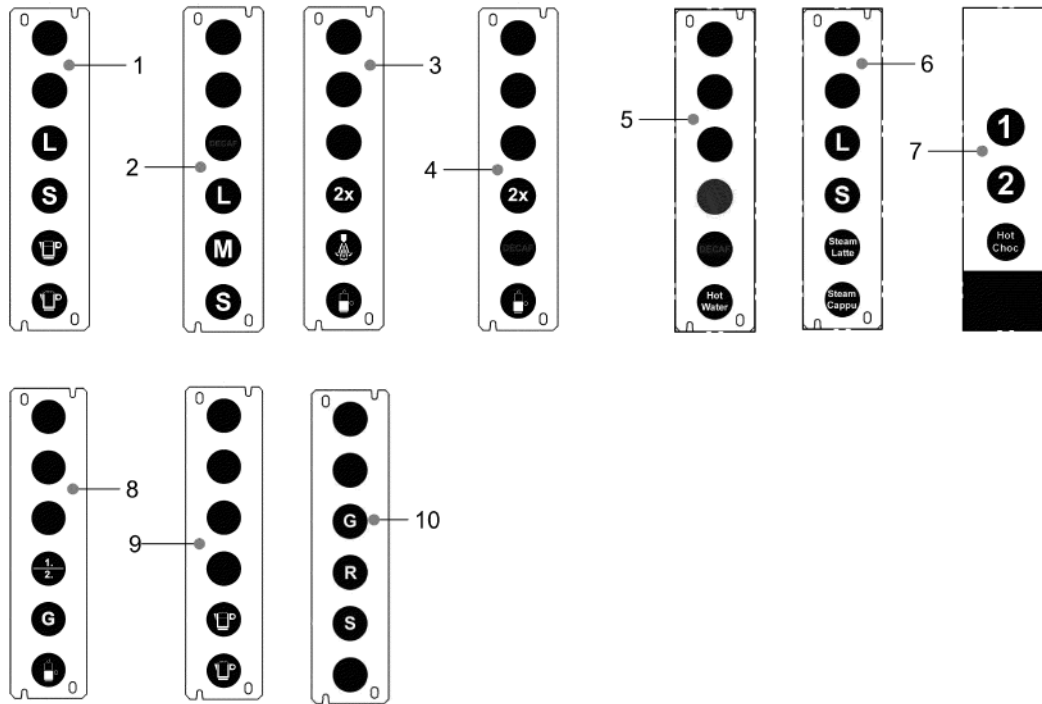
| Pos. | Art.-Nr.<br>Art. no.         | Bezeichnung<br>Tech-Info<br>Service-Info                                     | Designation<br>Tech-Info<br>Service-Info                                      | EA1 | EA2 |
|------|------------------------------|--|---|-----|-----|
| 18   | 33.0227.7000                 | Sechskantmutter<br>G1/4  | hexagon nut<br>G1/4   | -   | -   |
| 19   | 33.2506.5200                 | Blech, Abdeckung   | plate, cover  | -   | -   |
| 20   | 33.7007.1694                 | Klemmventil 2/2<br>24 V  | pinch valve 2/2<br>24 V   | -   | -   |
| 21   | 33.2591.3000                 | Winkel, Befestigung<br>Schlauchquetschventil                                 | angle, fastening<br>double pinch valve  | -   | -   |
| 22   | 00.0047.2098                 | Sechskantmutter ISO 10511-M<br>4-1.4301                                      | hexagonnut ISO 10511-M 4-1.4301   | -   | -   |
| 23   | 33.0344.9000                 | Kabelbefestigung   | cable attachment  | -   | -   |
| 24   | 33.2854.8000                 | Rückschlagventil<br>kpl.   | check valve<br>compl.   | -   | -   |
| 24   | <a href="#">33.2197.8000</a> | Rückschlagventil   | check valve   | -   | -   |
| 24   | <a href="#">33.0395.4000</a> | O-Ring 10,82x1,78 EPDM   | O-ring, 10.82x1.78 EPDM   | -   | -   |
| 25   | <a href="#">33.0649.3000</a> | Kabelbinder  | cable clip  | -   | -   |
| 26   | 33.2854.7199                 | Zahnradpumpe<br>mit Anschlüsse 3,0 kW, Active Milk                           | gear wheel pump<br>with connections, 3.0 kW, Active Milk<br>Power (AMP) model | -   | -   |
| 27   | 33.2591.2000                 | Winkel<br>Befestigung Zahnradpumpe   | angle<br>fastening, gear wheel pump   | -   | -   |
| 28   | 33.2859.9000                 | Blende 0,4 mm, mit Schlauch  | aperture 0.4 mm, with hose  | -   | -   |
| 28   | <a href="#">33.2323.0000</a> | Luftpumpe<br>mit Blende 0,4 mm, Ausführung<br>Active Milk Power (AMP) 3 kW   | air pump<br>with orifice 0.4 mm, Active Milk<br>Power (AMP) model, 3 kW       | -   | -   |
| 28   | <a href="#">33.2595.0600</a> | Luftpumpe<br>mit Blende 0,6 mm, Ausführung<br>Active Milk Power (AMP) 5,5 kW | air pump<br>with orifice 0.6 mm, Active Milk<br>Power (AMP) model, 5.5 kW     | -   | -   |
| 28   | 33.2860.0000                 | Blende 0,6 mm, mit Schlauch  | aperture 0.6 mm, with hose  | -   | -   |
| 28   | <a href="#">33.2595.0000</a> | Luftpumpe<br>Ausführung Active Milk Power (AMP)<br>5,5 kW                    | air pump<br>Active Milk Power (AMP) model, 5.5<br>kW                          | -   | -   |
| 29   | 33.2320.1000                 | Blende 0,4 mm<br>bei 3 kW, Ausführung Active Milk<br>Power (AMP)             | aperture 0.4 mm<br>with 3 kW, Active Milk Power (AMP)<br>model                | -   | -   |
| 29   | 33.2369.3000                 | Blende 0,6 mm<br>bei 5,5 kW, Ausführung Active Milk<br>Power (AMP)           | aperture 0.6 mm<br>with 5.5 kW, Active Milk Power<br>(AMP) model              | -   | -   |



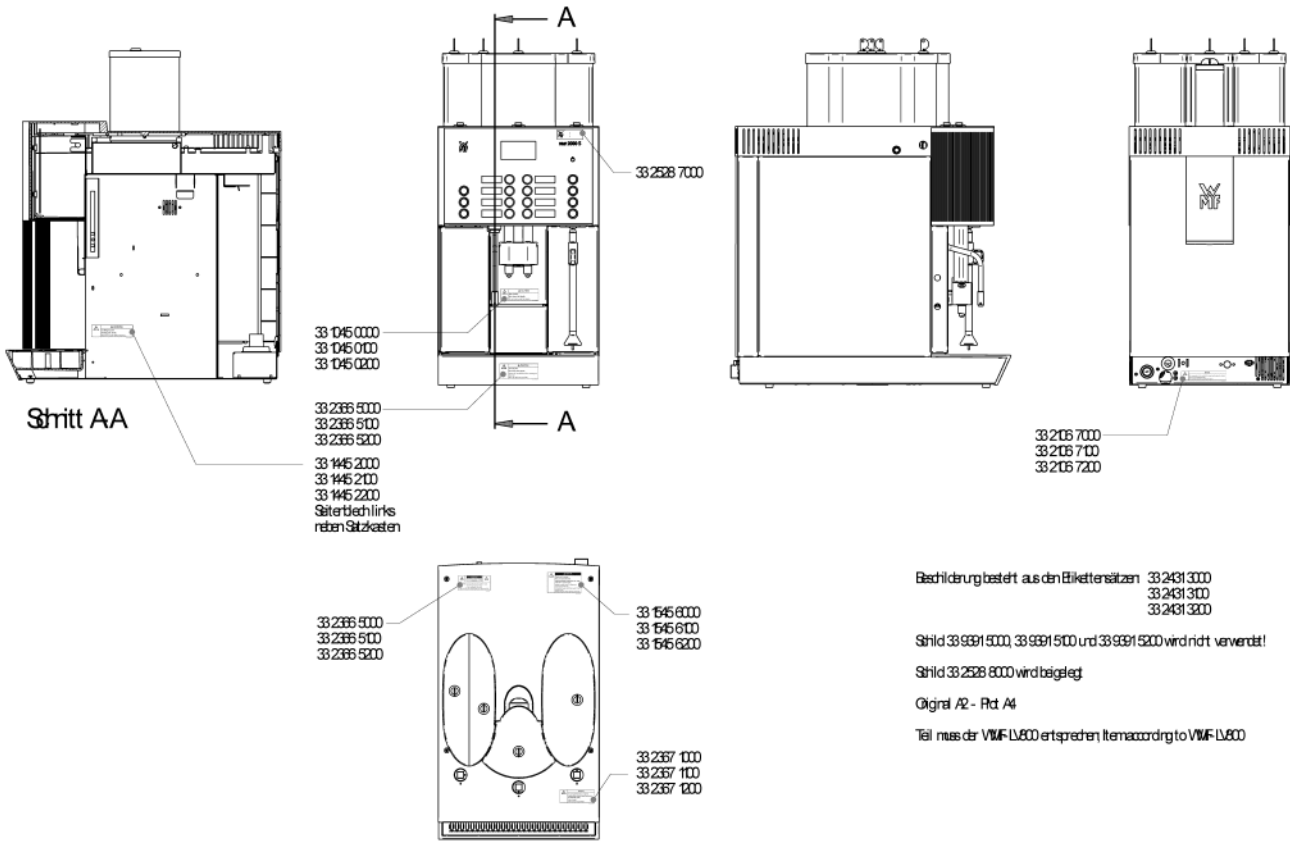
| Pos. | Art.-Nr.<br>Art. no.         | Bezeichnung<br>Tech-Info<br>Service-Info                                 | Designation<br>Tech-Info<br>Service-Info                                  | EA1 | EA2 |
|------|------------------------------|--|---|-----|-----|
| 30   | 00.0048.0063                 | Schlauch 3,0x2,0 Silikon transparent                                     | Hose 3.0x2.0 silicone transparent   | -   | -   |
| 31   | 00.0047.3355                 | Flkpf-Schraube ISO 7045-M 4x<br>4-1.4301-H                               | pan head screw ISO 7045-M 4x<br>4-1.4301-H                                | -   | -   |
| 32   | 33.XXXX.XXXX                 | Hinweis:<br>Schäumerspülventil Ventil 9, siehe<br>Zng. Magnetventil      | Note:   | -   | -   |
| 33   | 00.0047.3316                 | Flkpf-Schraube ISO 7045-M 3x<br>6-1.4301-H                               | pan head screw ISO 7045-M 3x<br>6-1.4301-H                                | -   | -   |
| 34   | 33.2562.4000                 | Zahnradpumpe   | gear wheel pump   | -   | -   |
| 35   | 33.2854.6100                 | Nippel, Anschluss, kpl.<br>eingeklebt mit Mat.-Nr. 00 0048 7704          | plug, connection, compl.<br>glued-in with material number 00<br>0048 7704 | -   | -   |
| 36   | 00.0047.3319                 | Flkpf-Schraube ISO 7045-M<br>3x10-1.4301-H                               | pan head screw ISO 7045-M<br>3x10-1.4301-H                                | -   | -   |
| 37   | 33.2854.6000                 | Nippel, Anschluss, kpl.<br>eingeklebt mit Mat.-Nr. 00 0048 7704          | plug, connection, compl.<br>glued-in with material number 00<br>0048 7704 | -   | -   |
| 38   | 33.2410.8000                 | Blende 0,8 mm  | aperture 0.8 mm   | -   | -   |
| 39   | <a href="#">33.4073.5000</a> | Schlauchadapter_Plug_and_Clean<br>_2K                                    | Hose_Connector_Plug_and_Clean<br>_2K                                      | -   | -   |
| 40   | <a href="#">33.2593.6000</a> | Reinigungsbehälter   | cleaning container  | -   | -   |
| 41   | <a href="#">33.2593.7000</a> | Deckel, Reinigungsbehälter<br>Reinigungsbehälter                         | lid, cleaning container<br>cleaning container                             | -   | -   |
| 42   | <a href="#">33.2021.5000</a> | Steckanschluss L 6-6   | plug-in connection L 6-6  | -   | -   |
| 43   | <a href="#">33.2507.2000</a> | Anschlussstück<br>kpl.   | connection piece<br>compl.  | -   | -   |
| 44   | 33.XXXX.XXXX                 | Hinweis:<br>Spülventil Active Milk Ventil 13, siehe<br>Zng. Magnetventil | Note:   | -   | -   |
| 45   | 33.XXXX.XXXX                 | Hinweis:<br>Cappuccinoventil Ventil 5, siehe Zng.<br>Magnetventil        | Note:   | -   | -   |
| 46   | 33.2591.8000                 | Blende 1,8 AVS-Buschjost   | aperture 1.8 mm, AVS-Buschjost  | -   | -   |
| 47   | 33.2503.1000                 | Blende, Nippel, Schlauch   | aperture, plug, hose  | -   | -   |



| Pos. | Art.-Nr.<br>Art. no.         | Bezeichnung<br>Tech-Info<br>Service-Info  | Designation<br>Tech-Info<br>Service-Info   | EA1 | EA2 |
|------|------------------------------|---|--|-----|-----|
| 48   | <a href="#">33.0649.3000</a> | Kabelbinder<br>Ventile Pos. 44+45 mit Kabelbinder<br>gegen verdrehen sichern.<br>S.Montagean. A LM 110321 Ventile | cable clip<br>secure valves items 44+45 w. cable<br>ties to prevent rotation. See<br>installation instruc. A LM 110321 | -   | -   |
| 49   | <a href="#">33.2867.5300</a> | Milchschaumer, doppel<br>mit Dampfdüse 2,3, Active Milk (AM)<br>3 kW, kpl.  | milk foamer, double<br>with steam nozzle 2.3, Active Milk<br>(AM) 3 kW, compl.   | -   | -   |
| 49   | 33.2867.5400                 | Milchschaumer<br>mit Dampfdüse 3,0, Ausführung<br>Active Milk Power (AMP) 5,5 kW, kpl.                            | milk foamer<br>with steam nozzle 3.0, Active Milk<br>Power (AMP) model, 5.5 kW, compl.                                 | -   | -   |
| A    | 33.2854.9000                 | Zahnradpumpe<br>mit Anschlüssen, Active Milk  | gear wheel pump<br>with connections, Active Milk Power<br>(AMP) model  | -   | -   |



| Pos. | Art.-Nr.<br>Art. no. | Bezeichnung<br>Tech-Info<br>Service-Info           | Designation<br>Tech-Info<br>Service-Info  | EA1 | EA2 |
|------|----------------------|--|---|-----|-----|
| 1    | 33.2368.7900         | Einschubstreifen<br>Milchschaum-Milch-S-L          | insert strips<br>milk foam Milk S-L       | -   | -   |
| 2    | 33.2528.6000         | Einschubstreifen<br>S-M-L-DECAF                    | insert strips<br>S-M-L-DECAF              | -   | -   |
| 3    | 33.2528.6100         | Einschubstreifen<br>HW-Dampf 2 x                   | insert strips<br>HW steam 2x              | -   | -   |
| 4    | 33.2528.6200         | Einschubstreifen<br>HW-DECAF 2 x                   | insert strips<br>HW decaf 2x              | -   | -   |
| 5    | 33.2528.6300         | Einschubstreifen<br>Hot water-DECAF-Dunkin         | insert strips<br>hot water, Decaf, Dunkin | -   | -   |
| 6    | 33.2528.6400         | Einschubstreifen<br>Steam-Dunkin                   | insert strips<br>Steam Dunkin             | -   | -   |
| 7    | 33.2528.6500         | Einschubstreifen<br>1_2 HotChoc                    | insert strips<br>1_2 Hot Choc             | -   | -   |
| 8    | 33.2528.6600         | Einschubstreifen_HW-G-1_2<br>HW-G-1/2              | insert strips, hw-G-1_2<br>HW-G-1/2       | -   | -   |
| 9    | 33.2528.6700         | Einschubstreifen_Schaumqualitaet<br>Schaumqualität | insert strip, foam quality                | -   | -   |
| 10   | 33.2528.6800         | Einschubstreifen<br>S-R-G                          | insert strips<br>S-R-G                    | -   | -   |



Bedruckung besteht aus den Etikettensätzen 33 2431 3000  
33 2431 3100  
33 2431 3200

Schild 33 9991 5000, 33 9991 5100 und 33 9991 5200 wird nicht verwendet!

Schild 33 2528 8000 wird beigelegt

Original A2 - Pkt A4

Teil muss der WMF-IL600 entsprechen Itemaccording to WMF-IL600

---

| <b>Pos.</b> | <b>Art.-Nr.<br/>Art. no.</b> | <b>Bezeichnung<br/>Tech-Info<br/>Service-Info</b> | <b>Designation<br/>Tech-Info<br/>Service-Info</b> | <b>EA1</b> | <b>EA2</b> |
|-------------|------------------------------|---|---|------------|------------|
| 1           | 33.XXXX.XXXX                 | Hinweis:  | Note:   | -          | -          |

---