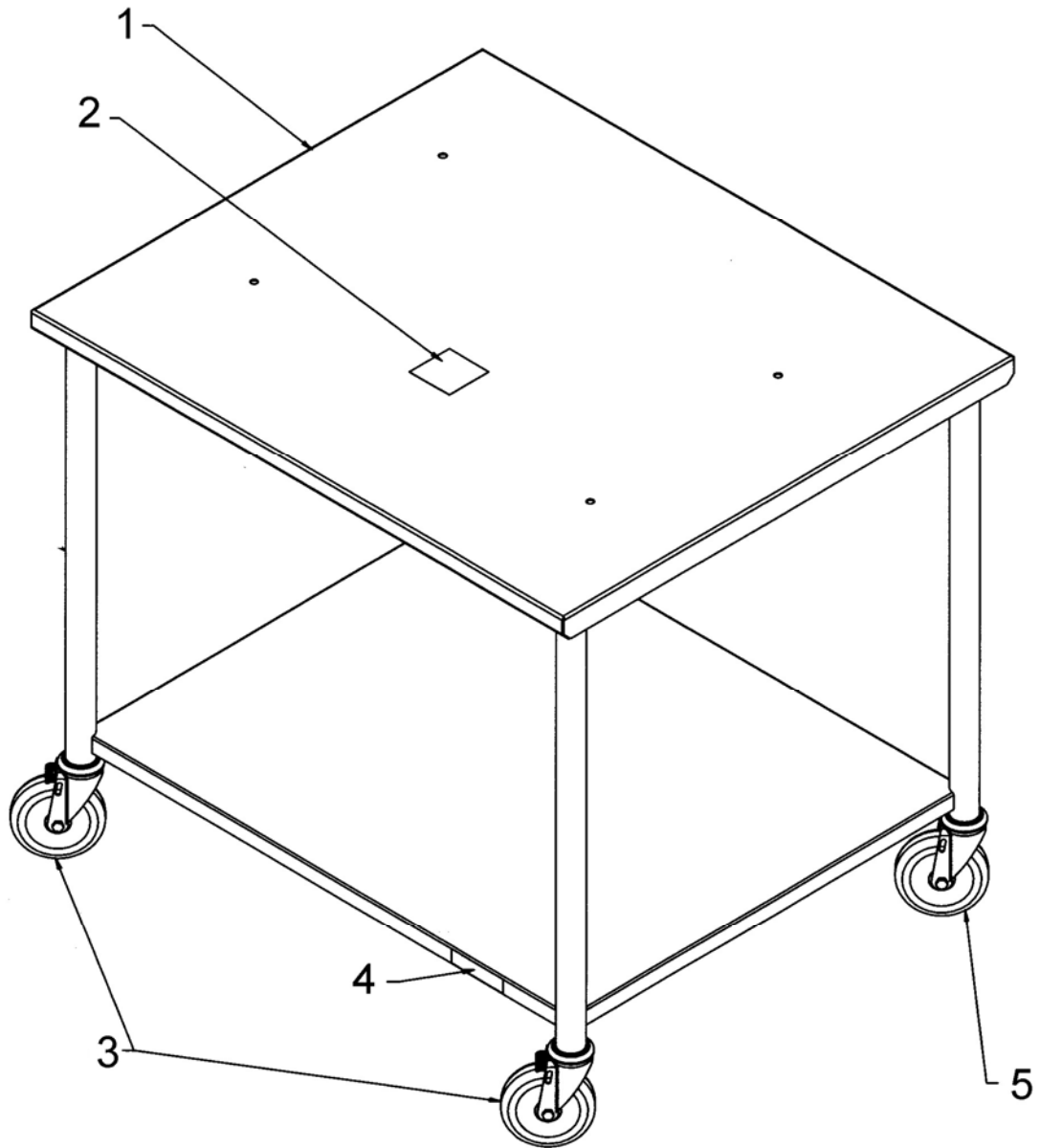


SCT-800 Rotisserie Table Parts List



<u>No.</u>	<u>Part. No.</u>	<u>Description</u>	<u>Qty.</u>
1	68729	Weld Assy. – SCT800 Table Top	1
2	23754	Label – Rotisserie/Table Mount	1
3	23791	Caster – 5” Expan. Stem w/Lock	2
4	59157	Label – ULS-23 MM	1
5	23790	Caster – 5” Expan. Stem w/o Lock	2

FM06-035
09-22-08