

# Prodigy Eclipse ECC, EH330 and EH430 C-E Service Parts

This part list contains the service parts for the Eclipse 1200, 1400, and 1800 systems. D series models began early 2015. E series models began early 2018

The models that are covered include:

EH330 C-E  
EH430 C-E  
ECC1200  
ECC1400  
Contents

ECC1800

Head voltage is independent of the condensing unit voltage.

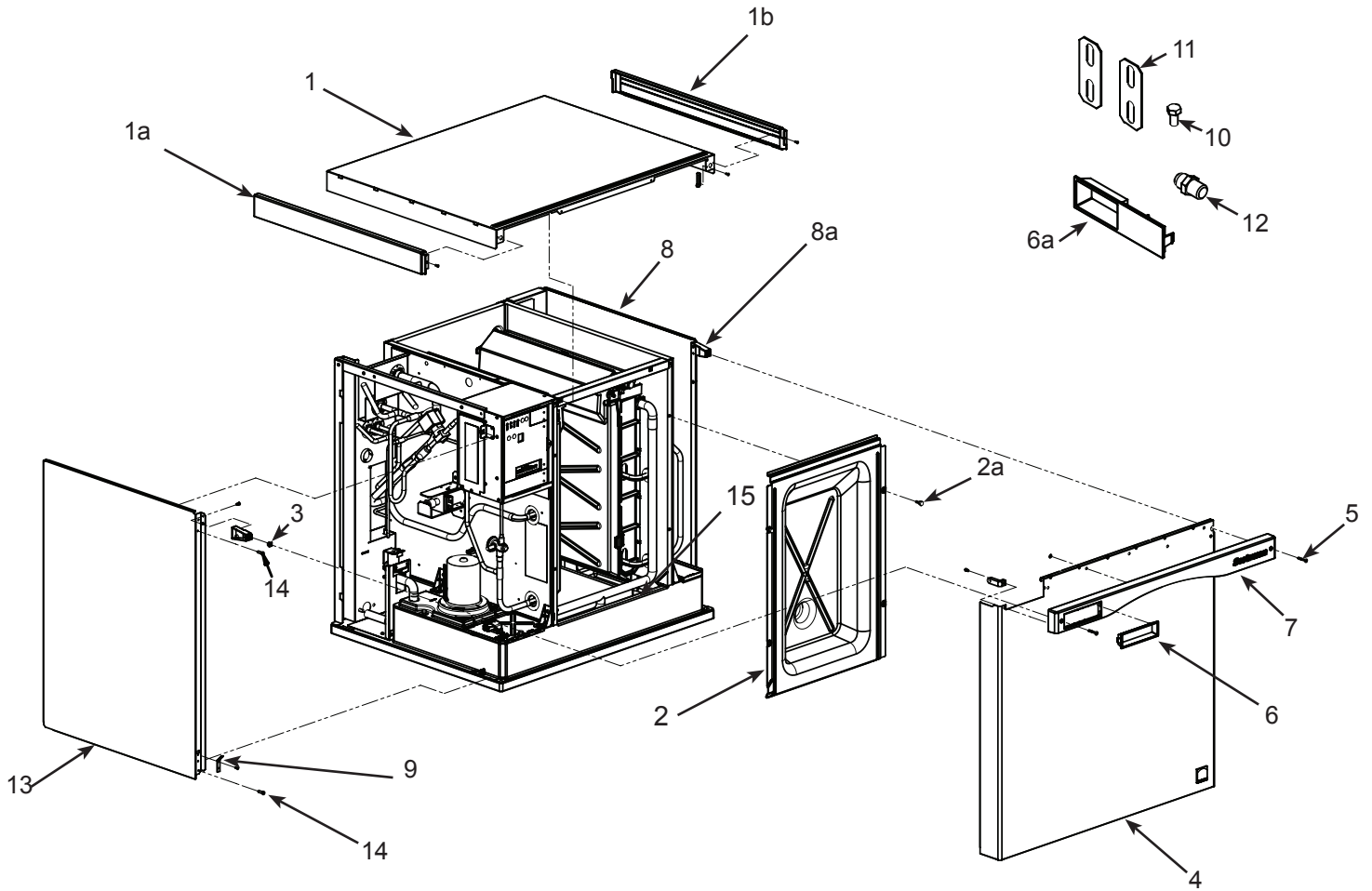
Voltage codes:

-1 = 115/60/1  
-3 = 208-230/60/3  
-6 = 230/50/1  
-32 = 208-230/60/1

EH330 C Cabinet.....	2
EH430 C Cabinet.....	3
EH330 D & E Cabinet.....	4
EH430 D & E Cabinet.....	5
EH330 EH430 C- E Interior Parts.....	6
EH330 and EH430 C-E Refrigeration.....	7
EH330 C-E Evaporator Compartment.....	8
EH430 C-E Evaporator Compartment.....	9
EH330 or EH430 C-E Electrical.....	10
ECC Cabinet and Fan .....	11
ECC Refrigeration Components.....	12
ECC Compressors.....	13
ECC1200, ECC1410 and ECC1800 Control Box.....	14
<b>EH330 C or EH430 C Schematic Diagram.....</b>	<b>15</b>
<b>EH330 C or EH430 C Wiring Diagram.....</b>	<b>16</b>
<b>EH330 D or EH430 D Schematic Diagram.....</b>	<b>17</b>
<b>EH330 D or EH430 D Wiring Diagram.....</b>	<b>18</b>
ECC1200 C.D and ECC1410 C.D Single Phase Wiring Diagram.....	19
ECC1200 C.D and ECC1410 C.D Single Phase Schematic Diagram .....	20
ECC1200 C-E, ECC1410 C.D and ECC1800 C-E Three Phase Wiring Diagram.....	21
ECC1200 C-E, ECC1410 C.D and ECC1800 C-E, Three Phase Schematic Diagram .....	22
ECC1200 E and ECC1410 E Single Phase Wiring Diagram.....	23

# Prodigy Eclipse ECC, EH330 and EH430 C-E Service Parts

## EH330 C Cabinet

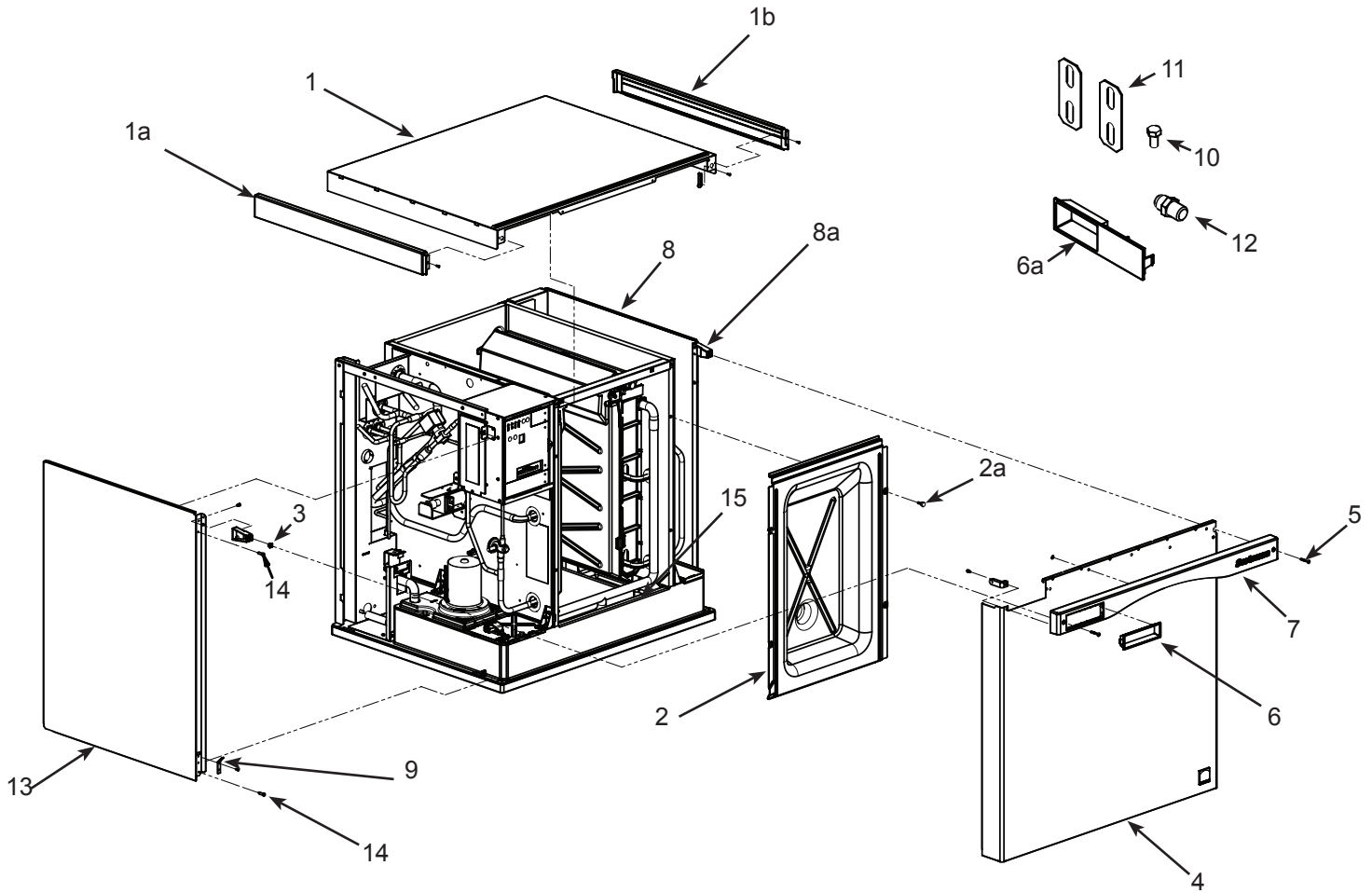


Item Number	Part Number	Description
1	A39579-022	Top panel
2	02-4504-01	Evaporator cover
2a	03-0727-05	Screw
3	03-3804-01	Screw receptacle
4	A39578-022	Front panel assembly, includes trim strip and labels.
4a	02-4216-01	Top gusset
5	03-1735-03	Screw, front panel
6	02-4284-01	Bezel, full window
6a	02-4284-02	Bezel, partial window**
7	02-4214-02	Trim strip
8	A39581-021	Right side panel assy
8a	02-4215-01	Receptacle
9	A39571-001	Panel clip
10	03-1405-15	Screw
11	A30911-015	Machine straps
12	16-0355-00	Inlet water fitting, flare**
13	A39580-022	Left side panel
14	03-1404-12	Screw
15	13-0943-01	Gasket tape

\*\* Optional

# Prodigy Eclipse ECC, EH330 and EH430 C-E Service Parts

## EH430 C Cabinet

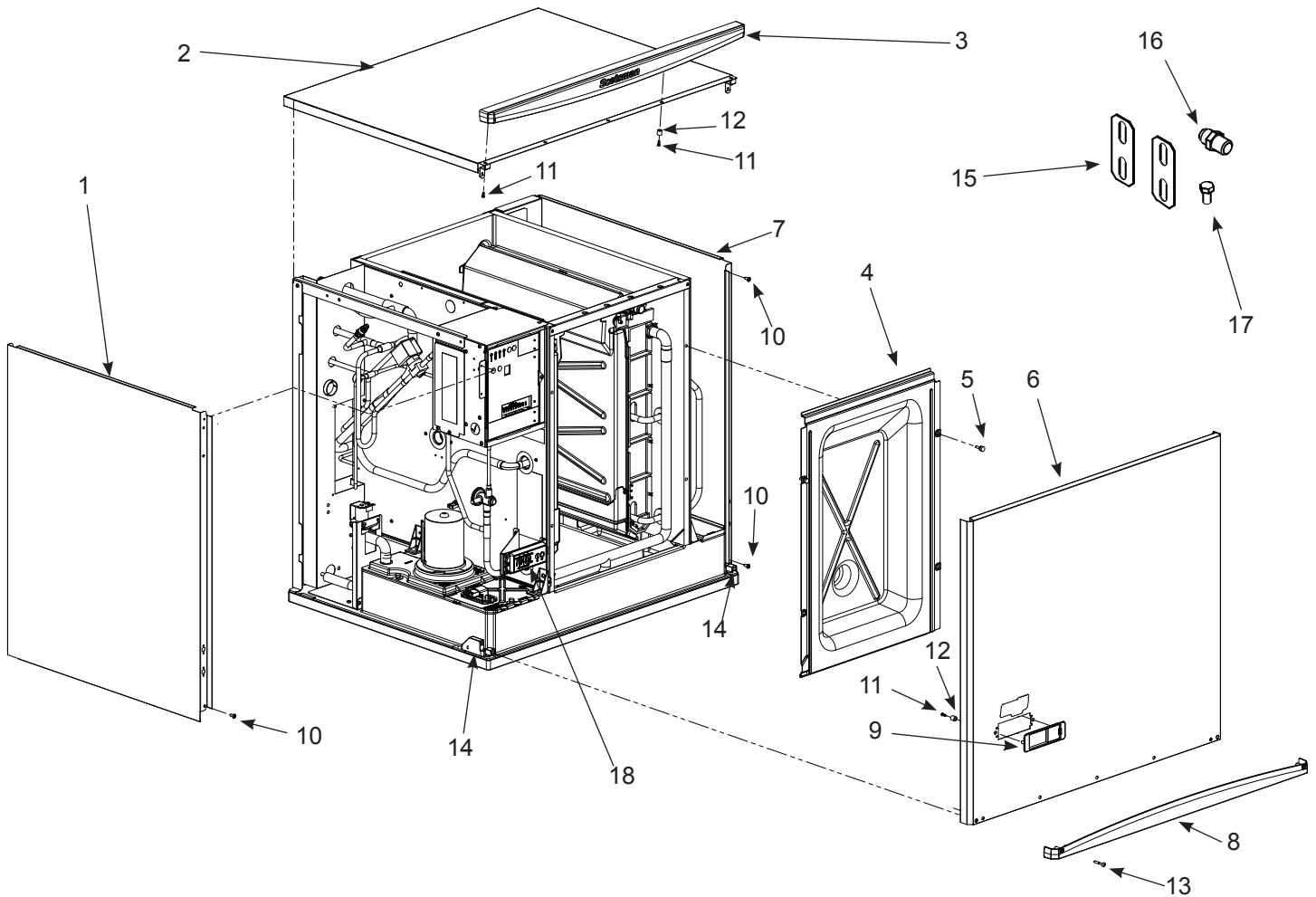


Item Number	Part Number	Description
1	A39579-022	Top panel, w/trim strips
2	02-4504-01	Evaporator cover
2a	03-0727-05	Screw
3	03-3804-01	Screw receptacle
4	A39578-023	Front panel assembly, includes trim strip and labels.
4a	02-4216-01	Top gusset
5	03-1735-03	Screw, front panel
6	02-4284-01	Bezel, full window
6a	02-4284-02	Bezel, partial window*
7	02-4214-02	Trim strip
8	A39581-022	Right side panel assy
8a	02-4215-01	Receptacle
9	A39571-001	Panel clip
10	03-1405-15	Screw
11	A30911-015	Machine straps
12	16-0355-00	Inlet water fitting, flare*
13	A39580-024	Left side panel
14	03-1404-12	Screw
15	13-0943-01	Gasket

\* Optional

# Prodigy Eclipse ECC, EH330 and EH430 C-E Service Parts

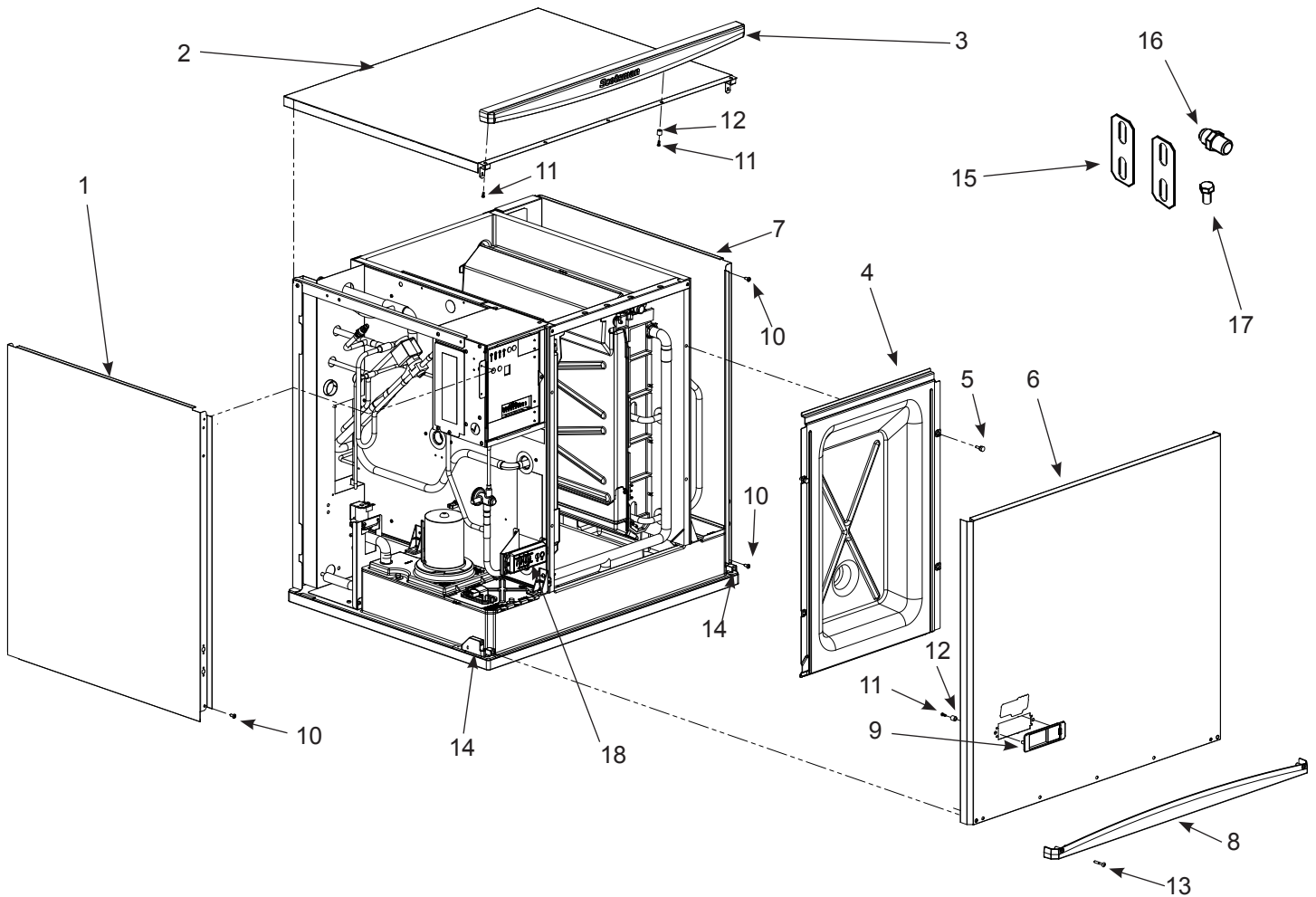
## EH330 D & E Cabinet



Item Number	Part Number	Description	Item Number	Part Number	Description
1	A40310-021	Left side panel assy	11	03-3836-02	Screw #8 X 3/8
2	A40309-021	Top Panel	12	02-4824-01	Spacer .25 Id X .38 Od
3	02-4819-01	Trim Strip Top	13	03-1735-03	Screw, Front Panel
4	02-4504-01	Inner Front Panel	14	02-4823-21	*Panel mount kit, left
5	03-0727-05	Thumbscrew	14a	02-4823-22	*Panel mount kit, right
6	A40308-033	Front panel assembly, includes trim strip and labels.			*Includes both screw receptacles
7	A40311-021	Right side panel assy	15	A30911-015	Machine straps
8	02-4820-01	Trim Strip Bottom 30"	16	16-0355-00	Inlet water fitting, flare**
9	02-4821-02	Bezel With Standard Door	17	03-1405-15	Screw
9A	02-4822-02	Bezel With Secure Door**	18	11-0622-21	Light & switch panel D & E
10	03-1404-10	Screw #8 X 1/2			** Optional

# Prodigy Eclipse ECC, EH330 and EH430 C-E Service Parts

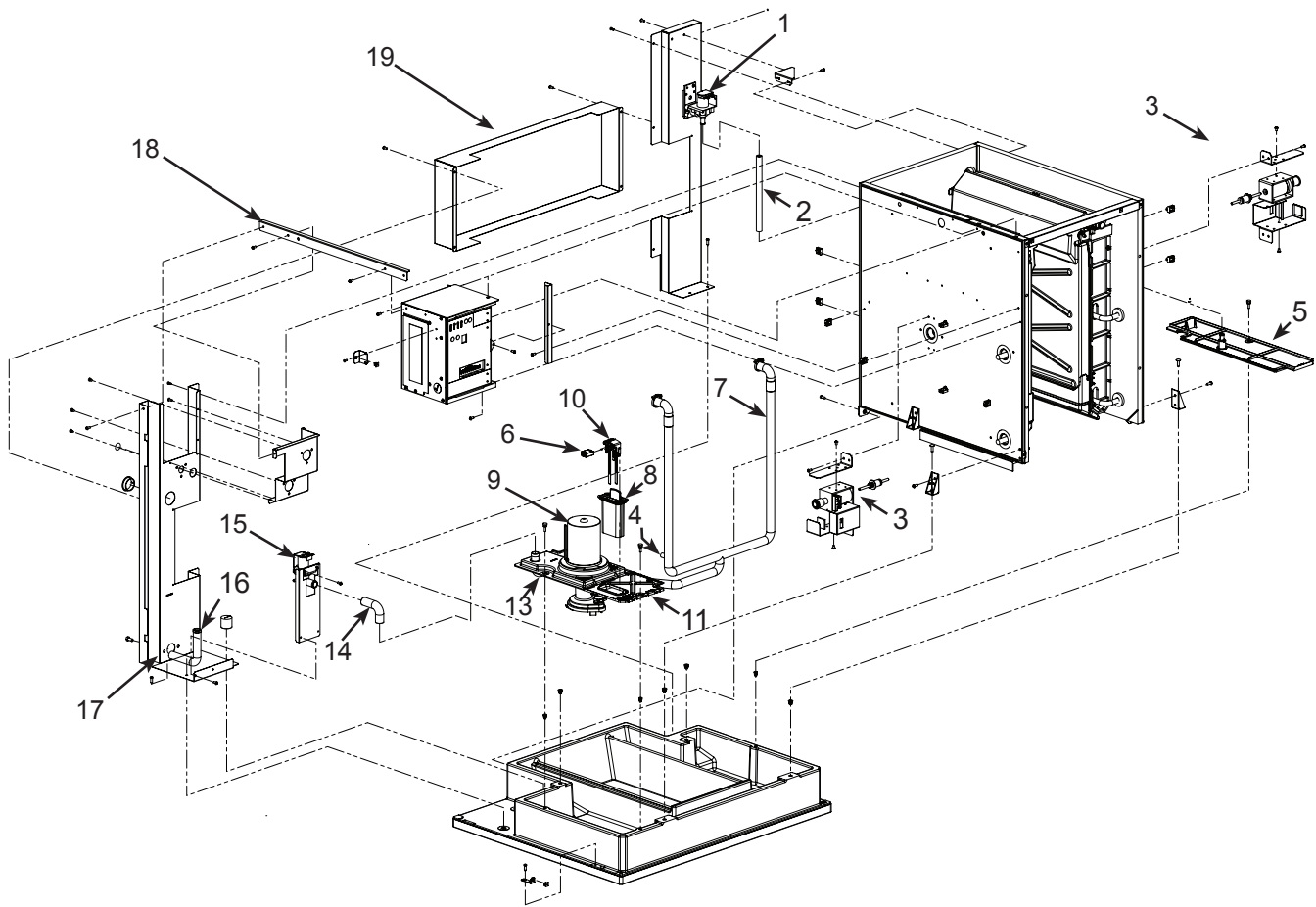
## EH430 D & E Cabinet



Item Number	Part Number	Description	Item Number	Part Number	Description
1	A40310-022	Left side panel assy	11	03-3836-02	Screw #8 X 3/8
2	A40309-021	Top Panel	12	02-4824-01	Spacer .25 Id X .38 Od
3	02-4819-01	Trim Strip Top	13	03-1735-03	Screw, Front Panel
4	02-4504-01	Inner Front Panel	14	02-4823-21	*Panel mount kit, left
5	03-0727-05	Thumbscrew	14a	02-4823-22	*Panel mount kit, right
6	A40308-034	Front panel assembly, includes trim strip and labels.			*Includes both screw receptacles
7	A40311-022	Right side panel assy	15	A30911-015	Machine straps
8	02-4820-01	Trim Strip Bottom 30"	16	16-0355-00	Inlet water fitting, flare**
9	02-4821-02	Bezel With Standard Door	17	03-1405-15	Screw
9A	02-4822-02	Bezel With Secure Door**	18	11-0622-21	Light & switch panel
10	03-1404-10	Screw #8 X 1/2			** Optional

# Prodigy Eclipse ECC, EH330 and EH430 C-E Service Parts

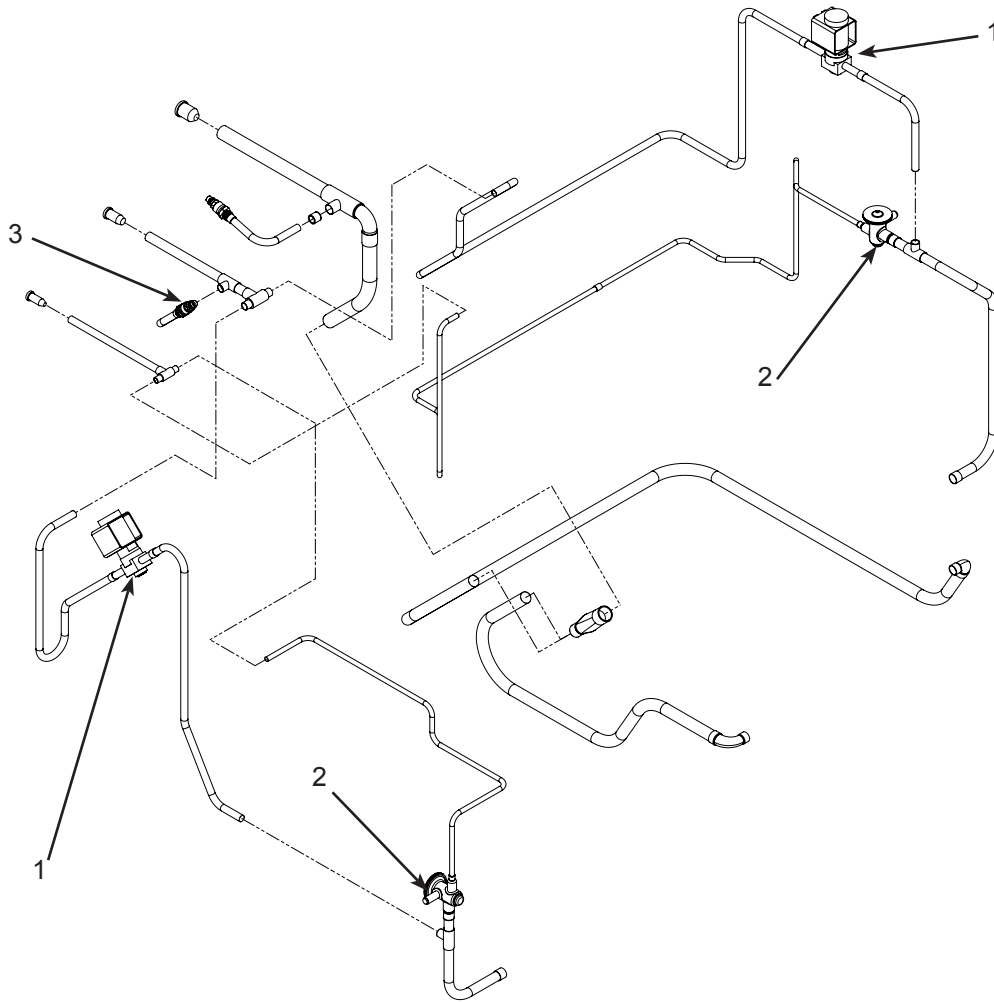
## EH330 EH430 C- E Interior Parts



Item Number	Part Number	Description
1	12-2922-01	Inlet water sol valve
2	13-0674-02	Tubing, order 2 (ft)
3	12-3060-21	Harvest assist
4	11-0572-21	Temp sensor set
5	02-4175-01	Sump cover, rt
6	12-2928-01	WLS harness
7	02-4182-01	Water pump hose, EH430
	02-4505-01	Water pump hose, EH330
8	02-4646-01	WLS cover
9	12-2920-21	Water pump
10	A39030-021	Water level sensor
11	02-4649-01	Sump cover
12		
	13	02-4177-01 Pump bracket
	14	A38863-001 Tube
	15	11-0564-01 Purge valve
	16	A38863-002 Tube, out
	17	02-3692-21 Drain fitting
	18	A38804-001 Brace
	19	A38796-001 Chase

# Prodigy Eclipse ECC, EH330 and EH430 C-E Service Parts

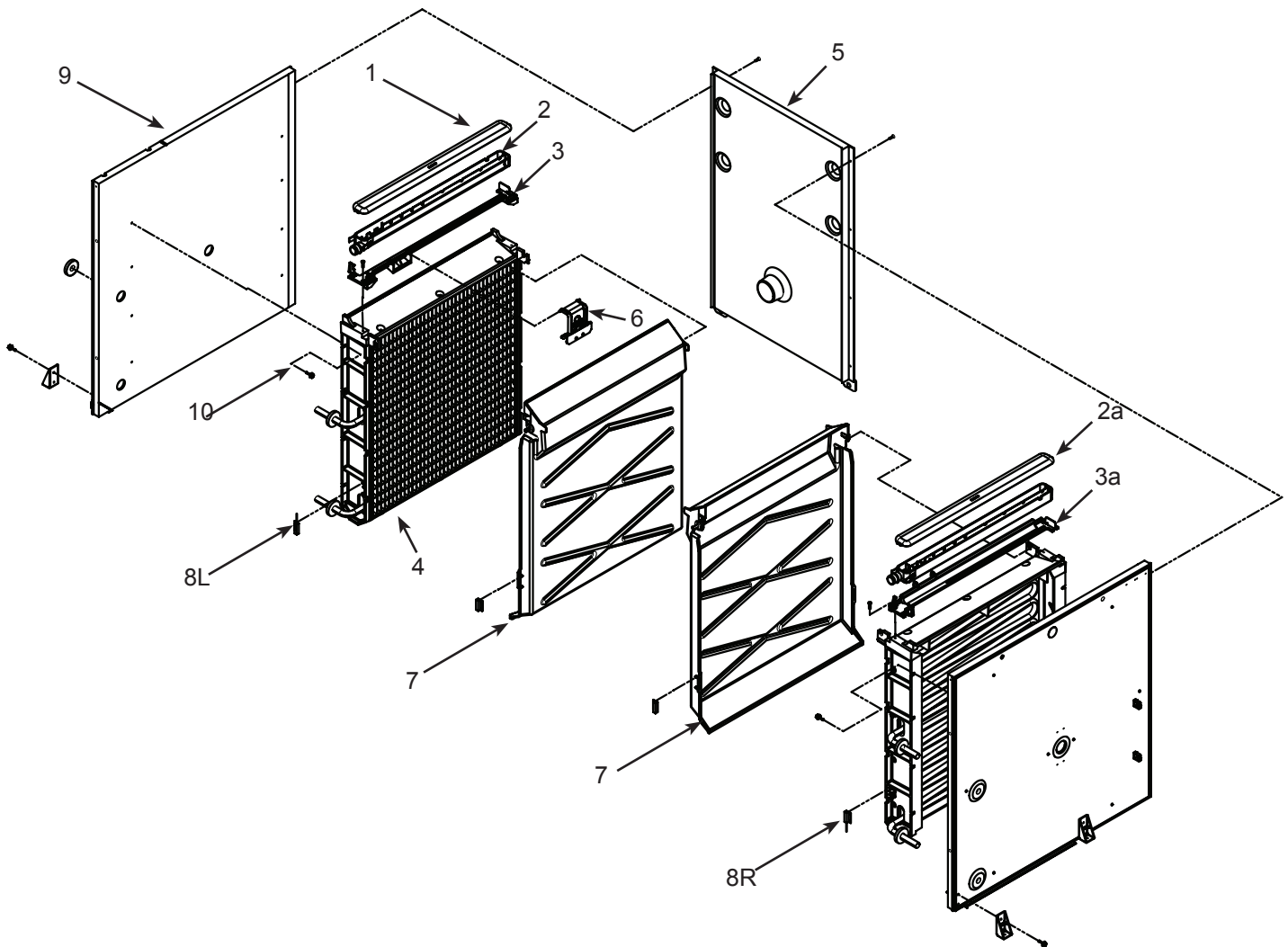
## EH330 and EH430 C-E Refrigeration



Item Number	Part Number	Description
1	<a href="#">11-0493-03</a>	Vapor valve C or D series
	<a href="#">11-0493-02</a>	Vapor valve E series
2	<a href="#">16-1130-01</a>	TXV - EH430
	<a href="#">16-1142-01</a>	TXV - EH330
	<a href="#">19-0599-06</a>	Insulation for TXV\
3	<a href="#">16-1137-01</a>	Access valve seat
	<a href="#">16-1140-01</a>	Access valve cap
	<a href="#">16-1139-01</a>	Access valve core

# Prodigy Eclipse ECC, EH330 and EH430 C-E Service Parts

## EH330 C-E Evaporator Compartment

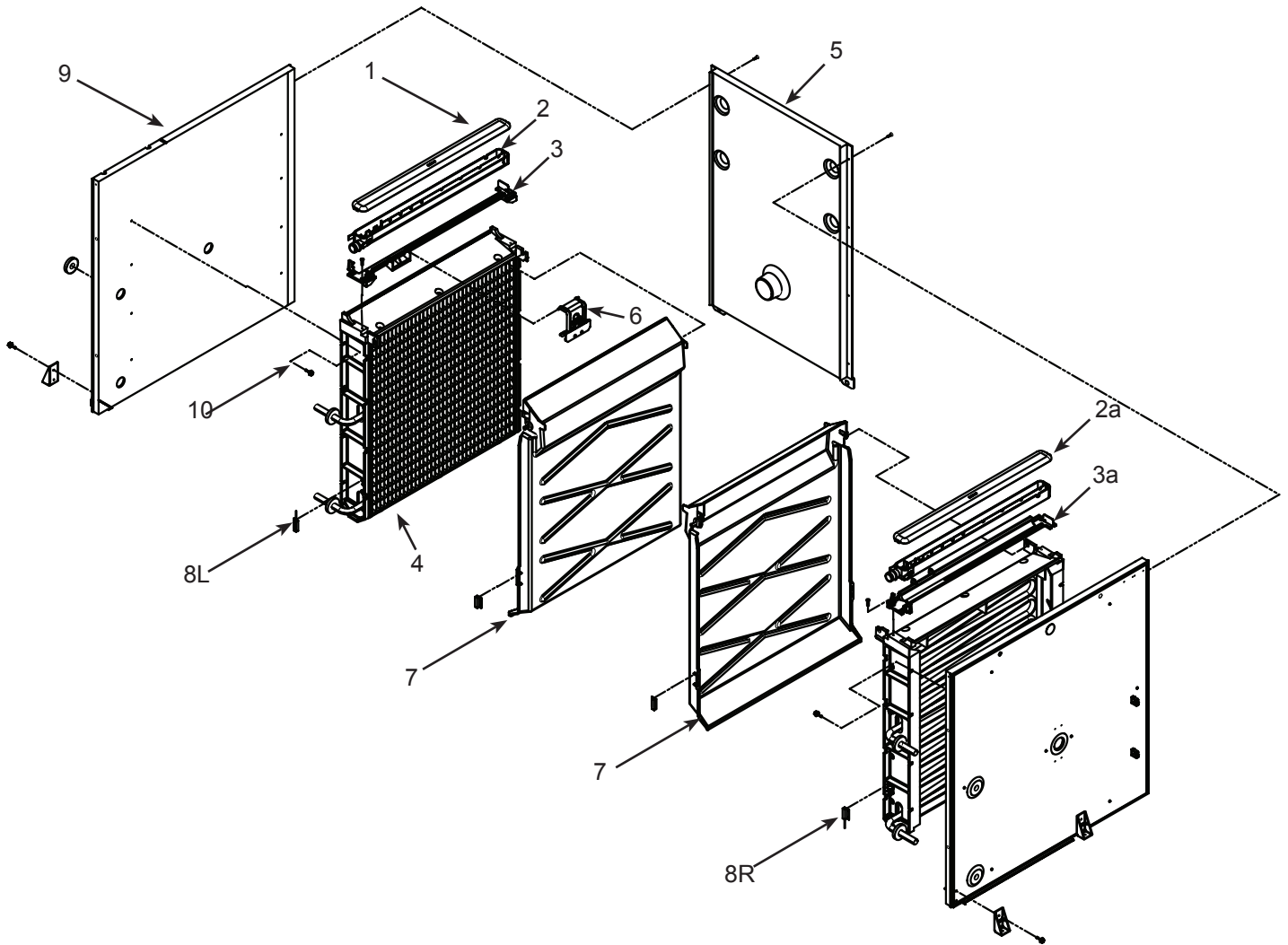


Item Number	Part Number	Description
1	02-4065-01	Water distributor cover
2	02-4064-01	Water distributor, left
2a	02-4064-02	Water distributor, right
3	02-4205-01	Mounting bracket, left
3a	02-4205-02	Mounting bracket, right
4	see table Evaporator	
5	A39480-001	Back wall
6	A39031-021	Ice thickness sensor
7	02-4100-32	Curtain
8L	11-0563-06	Curtain switch, left
8R	11-0563-03	Curtain switch, right
9	13-0943-01	Gasket tape
10	03-3868-01	Screw

	small cube	medium cube
Right	A38627-023	A38627-024
Left	A38627-021	A38627-022

# Prodigy Eclipse ECC, EH330 and EH430 C-E Service Parts

## EH430 C-E Evaporator Compartment

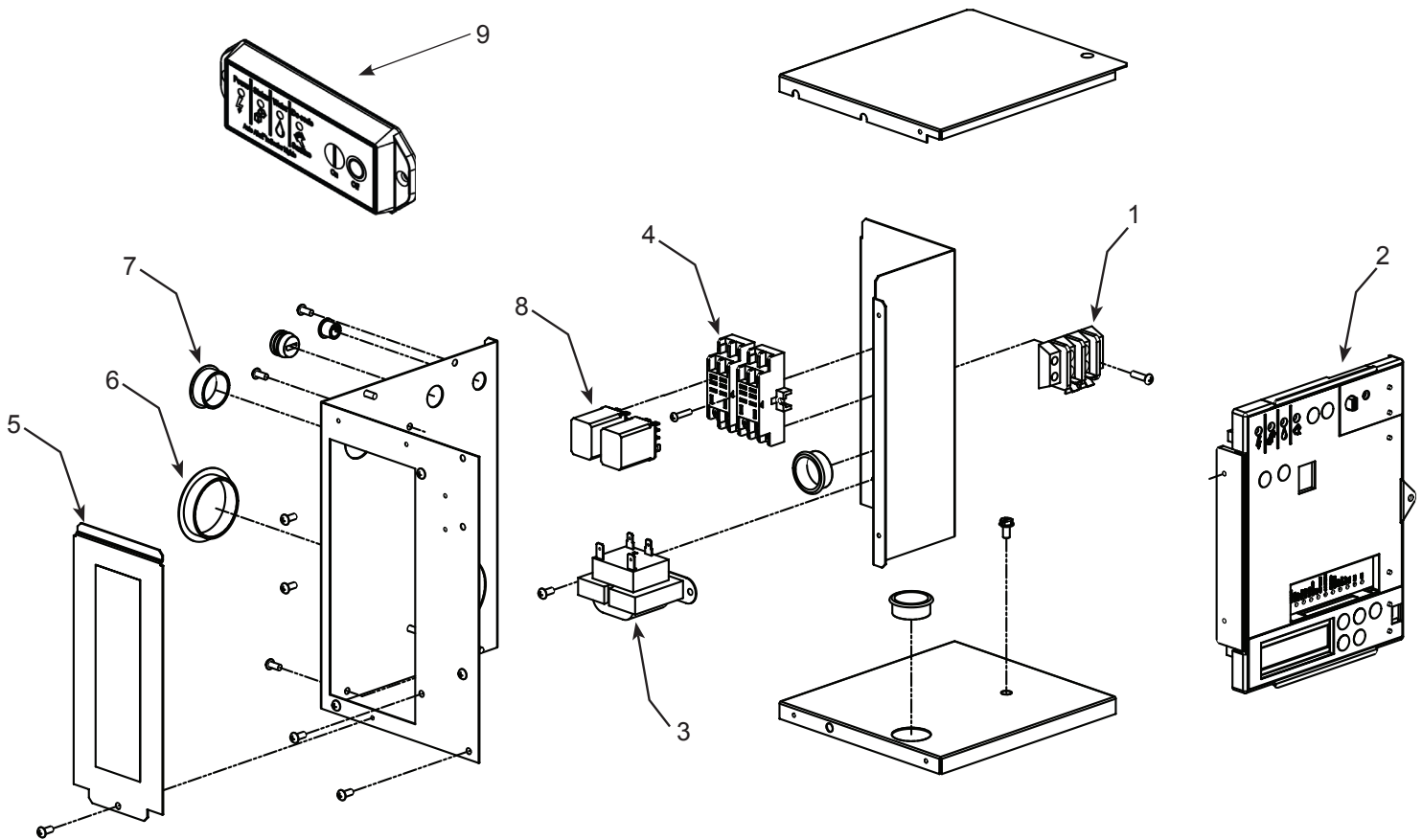


Item Number	Part Number	Description
1	02-4065-01	Water distributor cover
2	02-4064-01	Water distributor, left
2a	02-4064-02	Water distributor, right
3	02-4205-01	Mounting bracket, left
3a	02-4205-02	Mounting bracket, right
4	see table	Evaporator
5	A38677-001	Back wall
6	A39031-021	Ice thickness sensor
7	02-4611-21	Curtain
8L	11-0563-06	Curtain switch, left
8R	11-0563-03	Curtain switch, right
9	13-0943-01	Gasket tape
10	03-3868-01	Screw

	small cube	medium cube
Right	A38628-023	A38628-024
Left	A38628-021	A38628-022

# Prodigy Eclipse ECC, EH330 and EH430 C-E Service Parts

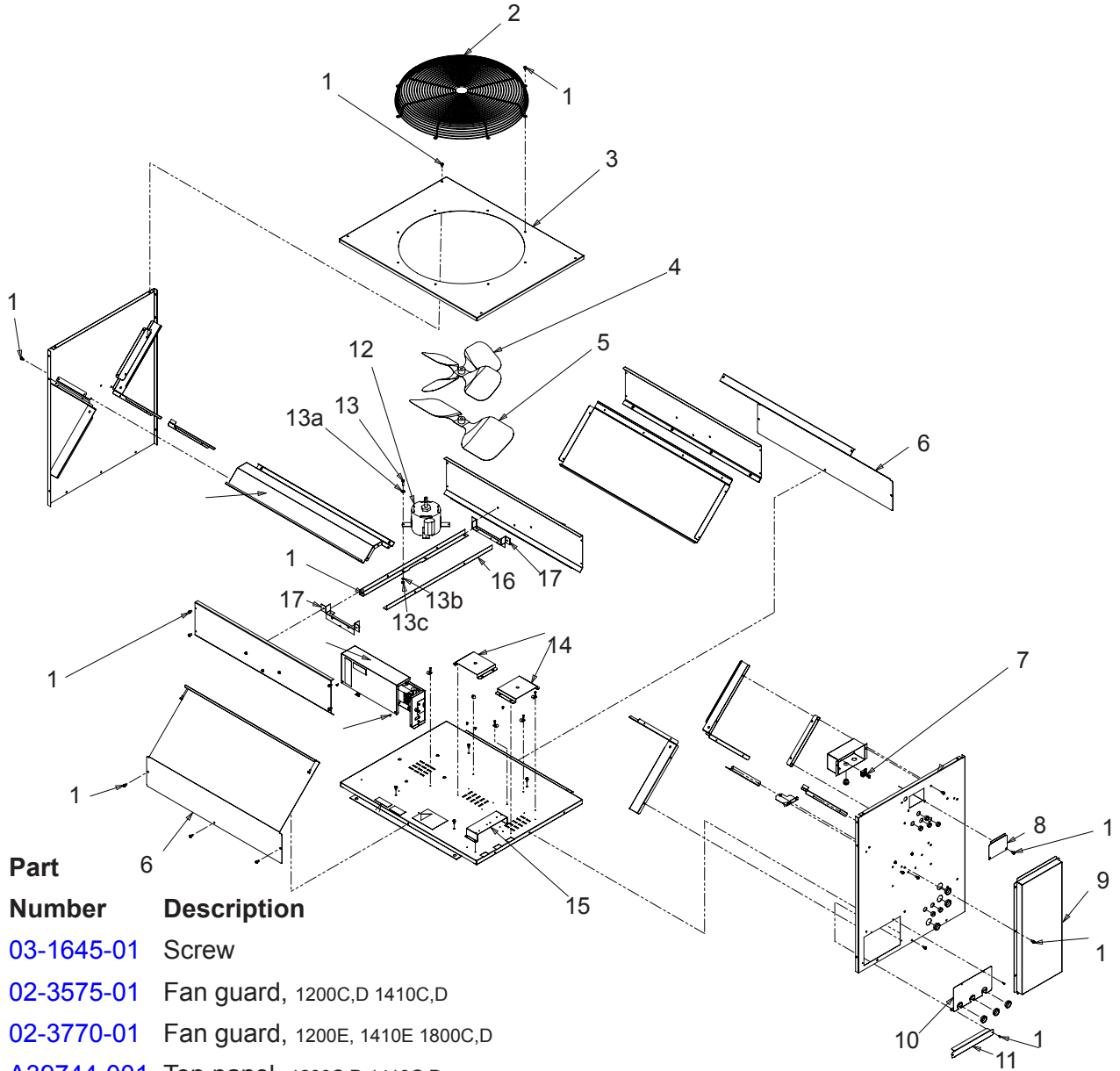
## EH330 or EH430 C-E Electrical



Item Number	Part Number	Description
1	<a href="#">12-2780-01</a>	Terminal strip
2	<a href="#">11-0621-21</a>	Service controller, fits all
2a	<a href="#">11-0550-28</a>	Service controller, thru C
3	<a href="#">12-2924-01</a>	Transformer
4	<a href="#">12-2949-02</a>	Relay base
5	<a href="#">A39287-001</a>	Cover
6	<a href="#">12-1213-15</a>	Snap bushing
7	<a href="#">12-1213-11</a>	Snap bushing
8	<a href="#">12-2949-01</a>	Relay
9	<a href="#">11-0622-21</a>	Light & switch panel D & E
Not Illustrated:		
10	<a href="#">12-2954-01</a>	Low voltage harness - to interconnecting wire
11	<a href="#">12-2943-01</a>	High voltage harness (has large plug)
12	<a href="#">12-2940-01</a>	Control power harness
13	<a href="#">12-1638-19</a>	Power cord

# Prodigy Eclipse ECC, EH330 and EH430 C-E Service Parts

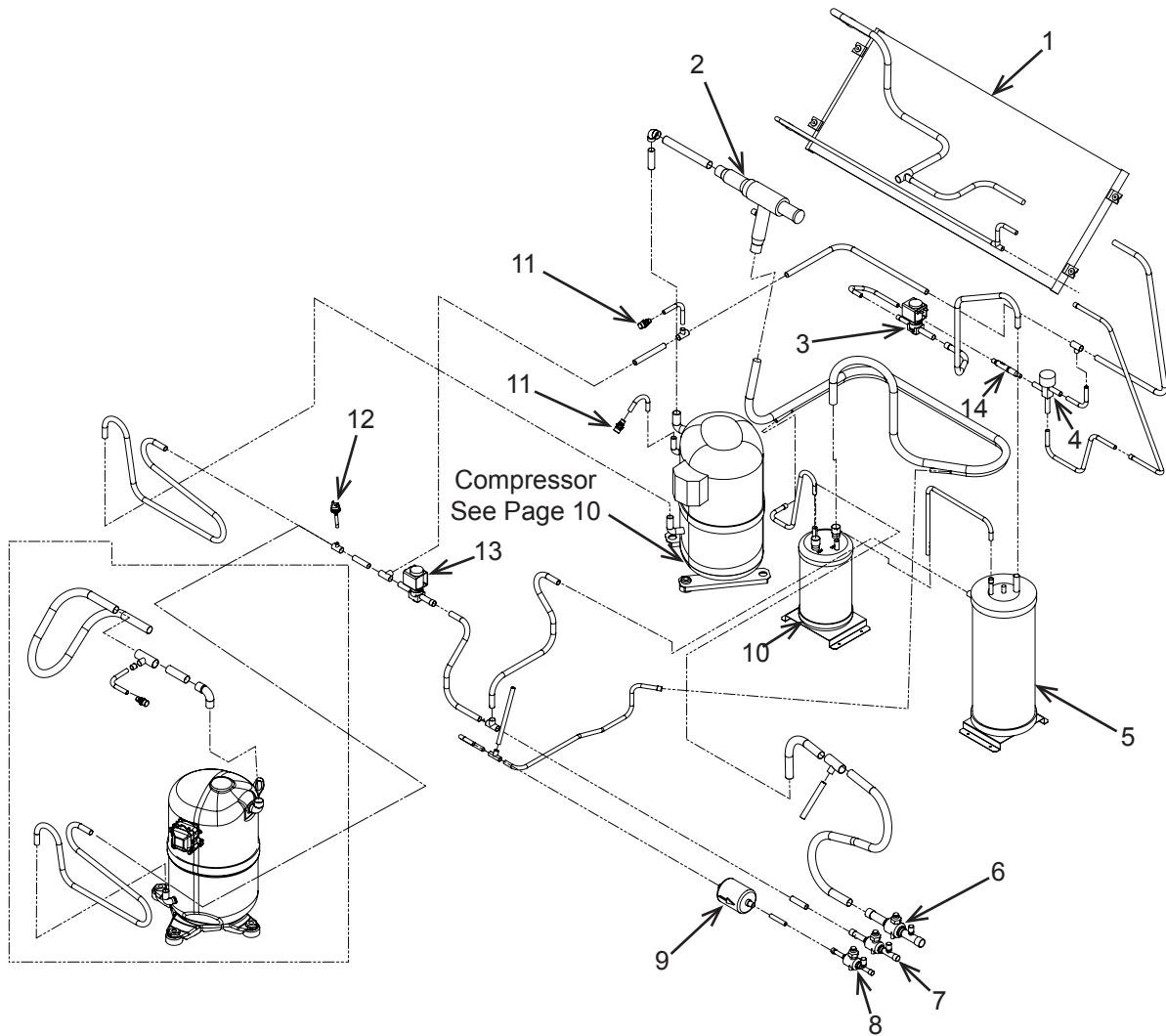
## ECC Cabinet and Fan



Item Number	Part Number	Description
1	<a href="#">03-1645-01</a>	Screw
2	<a href="#">02-3575-01</a>	Fan guard, 1200C,D 1410C,D
	<a href="#">02-3770-01</a>	Fan guard, 1200E, 1410E 1800C,D
3	<a href="#">A39744-001</a>	Top panel, 1200C,D 1410C,D
	<a href="#">A39744-002</a>	Top panel, 1200E, 1410E 1800C,D
4	<a href="#">18-8816-01</a>	Fan blade, 1200C,D 1410C,D
5	<a href="#">18-8820-01</a>	Fan blade, 1200E, 1410E 1800C,D
6	<a href="#">A40100-001</a>	Cover
7	<a href="#">12-2640-01</a>	Terminal strip, 50 Hz only
8	<a href="#">A37128-001</a>	Box cover
9	<a href="#">A40091-001</a>	Chase cover
10	<a href="#">A40094-001</a>	Valve cover
11	<a href="#">A40106-001</a>	Lower cover
12	<a href="#">12-2651-03</a>	Fan motor, 1200C,D 1410C,D
	<a href="#">12-3135-01</a>	Fan motor, 1200E, 1410E
	<a href="#">12-2949-04</a>	Fan Relay used on E series
	<a href="#">12-2717-02</a>	Fan motor, 1800C,D
13	<a href="#">03-1405-08</a>	Hex bolt
13a	<a href="#">03-1407-06</a>	Flat washer
13b	<a href="#">03-1410-03</a>	Lock washer
13c	<a href="#">03-1406-08</a>	Nut
14	<a href="#">A37948-001</a>	Bracket
15	<a href="#">A40093-001</a>	Bracket
16	<a href="#">A39749-001</a>	Motor bracket
17	<a href="#">A37282-001</a>	Support

# Prodigy Eclipse ECC, EH330 and EH430 C-E Service Parts

## ECC Refrigeration Components



Item Number	Part Number	Description
1	18-8945-22	Coil
2	16-1096-01	CPR valve
3	11-0546-01	Liquid line inlet valve
4	11-0422-22	Head master valve
5	16-1085-03	Receiver
6	16-1208-03	Ball valve 3/4
7	16-1208-02	Ball valve 1/2
8	16-1208-01	Ball valve 3/8
9	02-3319-02	Dryer
10	16-1157-01	Accumulator, 1200, 1410
	16-1122-01	Accumulator, 1800
11	16-1137-01	Access valve seat
	16-1139-01	Access valve core
	16-1140-01	Access valve cap
12	11-0501-02	High pressure cut out switch
13	11-0507-03	Bypass valve
14	16-1029-01	Check valve

# Prodigy Eclipse ECC, EH330 and EH430 C-E Service Parts

## ECC Compressors

Compressor - see table below

Model	Series	Phase	Hz	Part Number
ECC1200-32	C,D	single	60	<a href="#">18-8750-22</a>
ECC1200-32	E	single	60	<a href="#">18-8749-22</a>
ECC1410-32	C,D	single	60	<a href="#">18-8965-21</a>
ECC1410-32	E	single	60	<a href="#">18-8726-23</a>
ECC1410-3	C,D	three	60	<a href="#">18-8965-22</a>
ECC1410-3	E	three	60	<a href="#">18-8726-25</a>
ECC1800-3	C,D & E	three	60	<a href="#">18-8930-25</a>

Single phase 60 Hz compressors include starting components.

All include a drier.

All have internal overloads

[12-3043-03](#) Crankcase heater for 18-8730-25, [18-8750-22](#) and 18-8726-xx

[18-2308-01](#) Crankcase heater for 18-8749-xx

Mounting parts for compressors:

[18-2300-27](#) Mounting grommet

[18-2300-26](#) Sleeve

03-1406-07 Washer

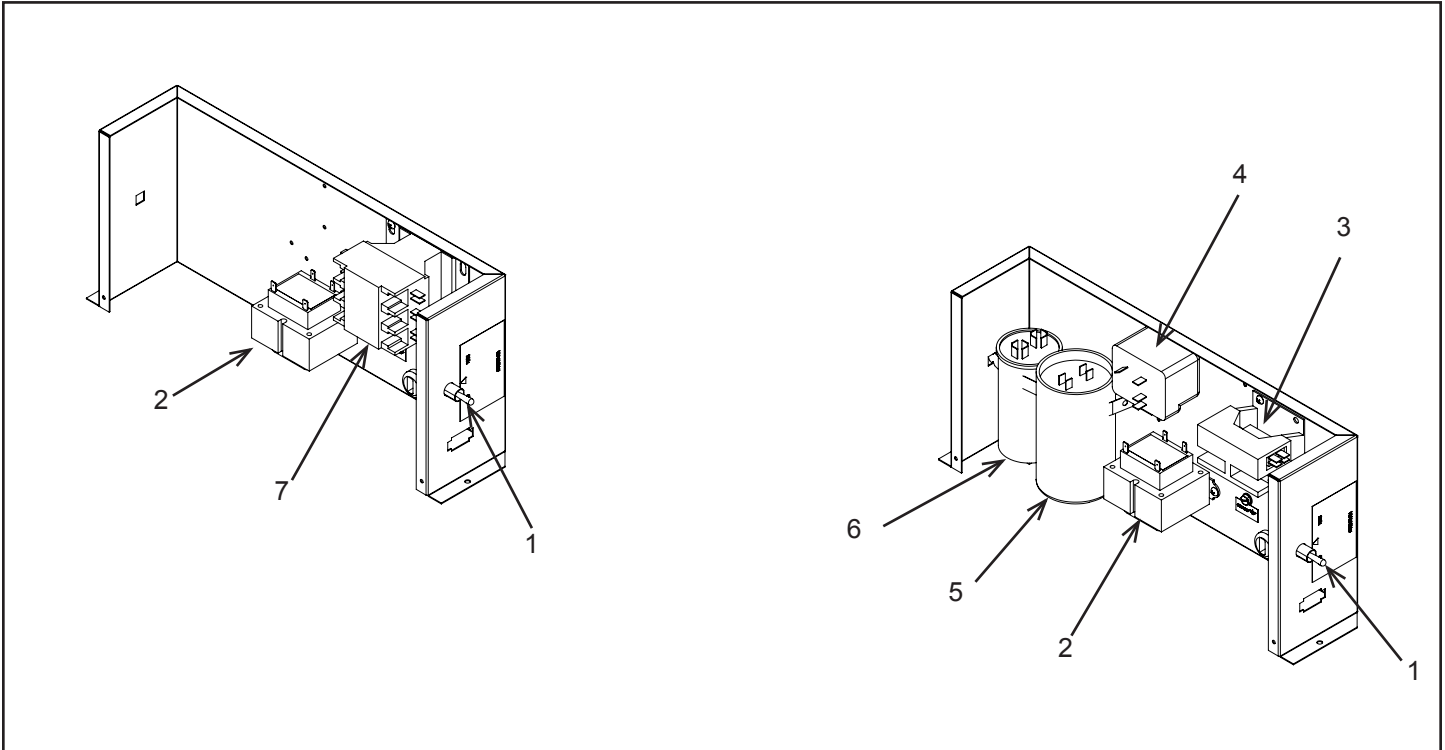
[03-1405-20](#) Cap screw

Parts shipped in condensing unit:

[12-2865-01](#) 75' Interconnecting harness

# Prodigy Eclipse ECC, EH330 and EH430 C-E Service Parts

## ECC1200, ECC1410 and ECC1800 Control Box



**Three Phase Control Box**

**Single Phase Control Box**

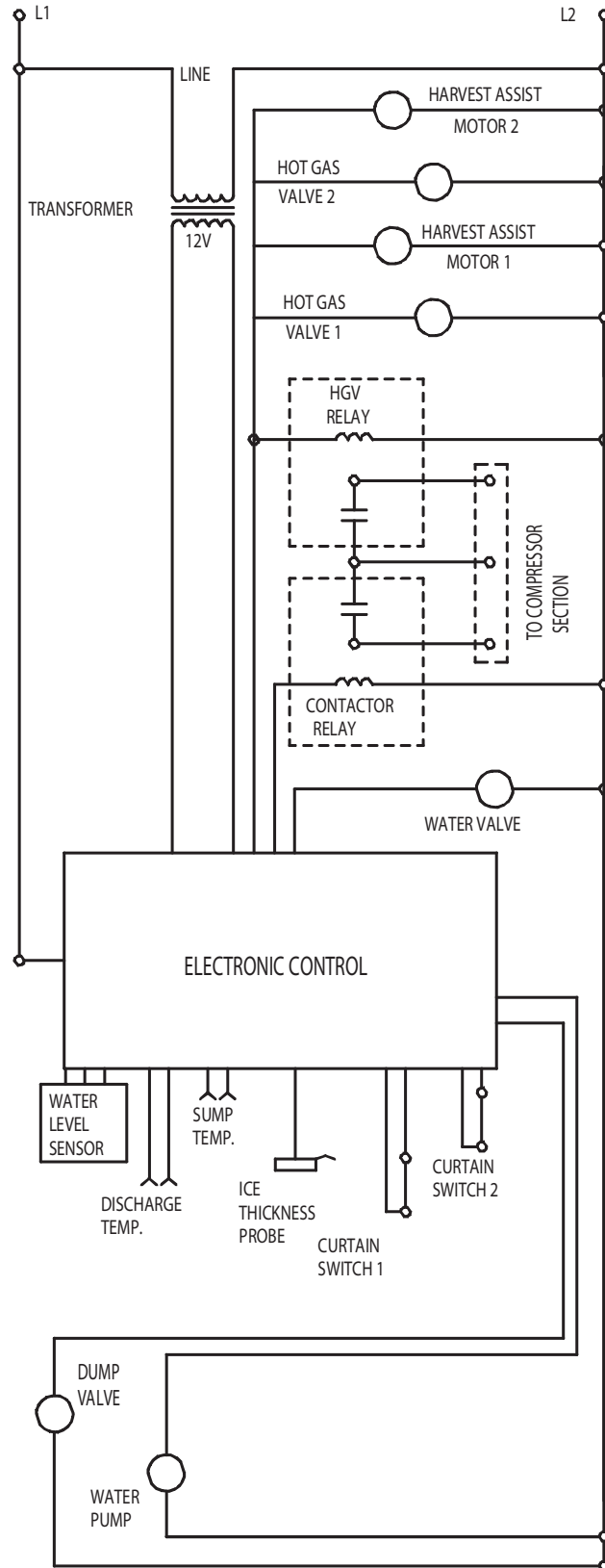
Item Number	Part Number	Description
1	<a href="#">12-2637-01</a>	Toggle switch
2	<a href="#">12-2836-02</a>	Transformer, 60 Hz models 230 volt to 24 volt
3	<a href="#">12-2469-01</a>	Single phase contactor

	Item #4	Item #5	Item #6
	Comp. Relay	Start Capacitor	Run Capacitor
<b>ECC1200-32A</b>	<a href="#">18-1903-46</a>	<a href="#">18-1901-48</a>	<a href="#">18-1902-70</a>
<b>ECC1200-32E</b>	<a href="#">18-1902-70</a>	<a href="#">19-1901-48</a>	<a href="#">18-1903-46</a>
<b>ECC1410-32A</b>	<a href="#">18-1903-72</a>	<a href="#">18-1901-59</a>	<a href="#">18-1902-69</a>
<b>ECC1410-32E</b>	<a href="#">18-1903-33</a>	<a href="#">18-1901-15</a>	<a href="#">18-1902-69</a>

7    [12-2533-01](#)                      Contactor, 3 phase

# Prodigy Eclipse ECC, EH330 and EH430 C-E Service Parts

## EH330 C or EH430 C Schematic Diagram

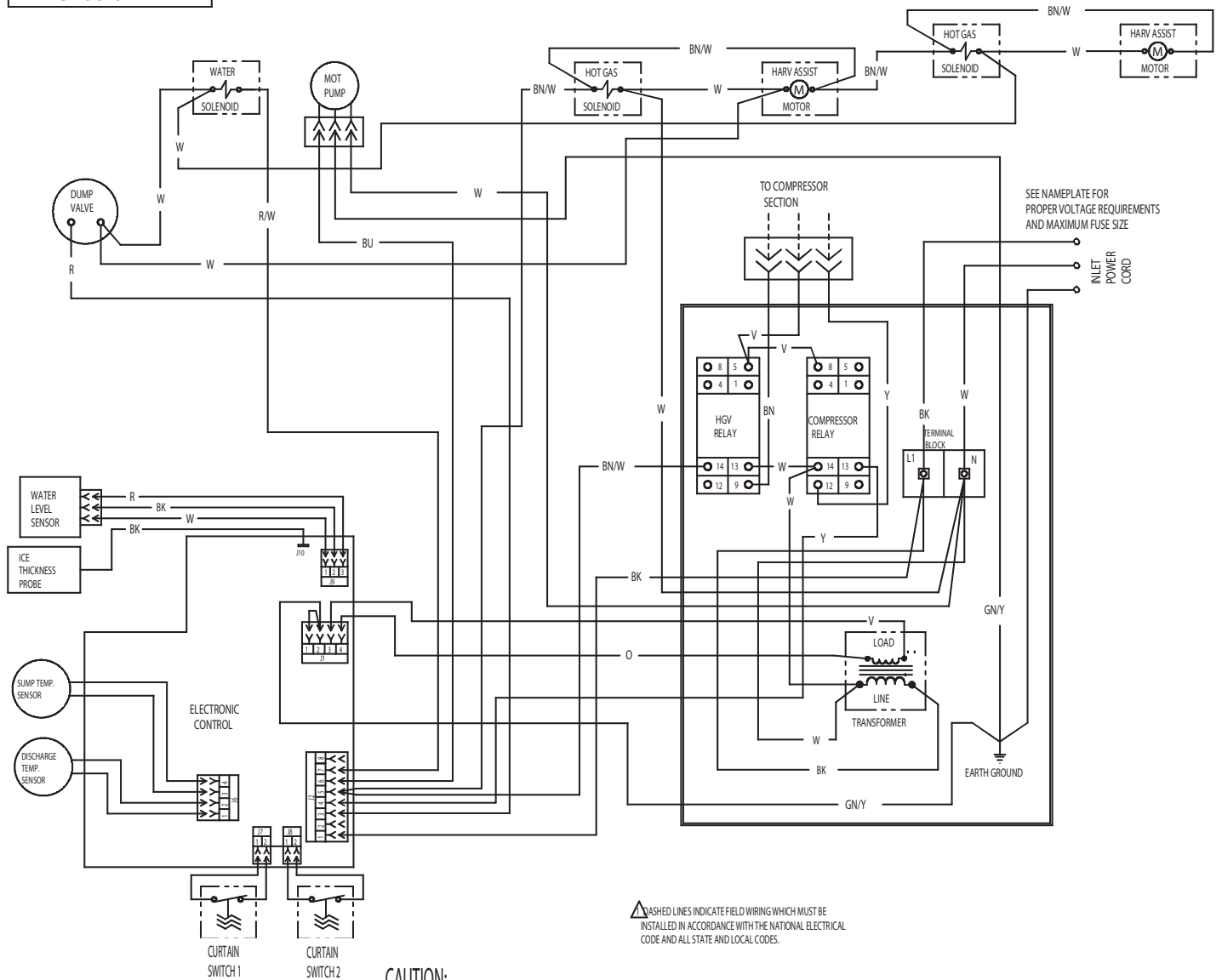


# Prodigy Eclipse ECC, EH330 and EH430 C-E Service Parts

## EH330 C or EH430 C Wiring Diagram

17-3406-01

USE COPPER CONDUCTORS ONLY



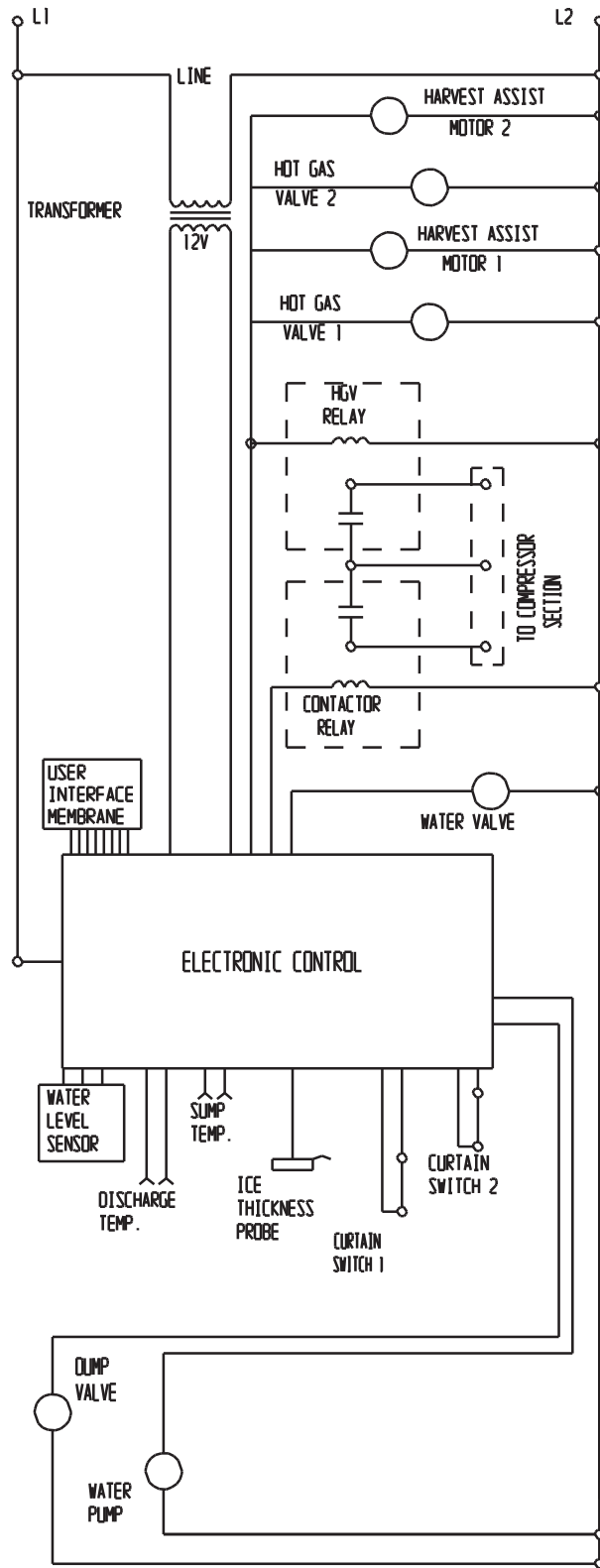
THIS UNIT MUST  
BE GROUNDED.

CAUTION:

MORE THAN ONE DISCONNECT MEANS MAY BE  
REQUIRED TO DISCONNECT ALL POWER TO THIS UNIT.

# Prodigy Eclipse ECC, EH330 and EH430 C-E Service Parts

## EH330 D or EH430 D Schematic Diagram

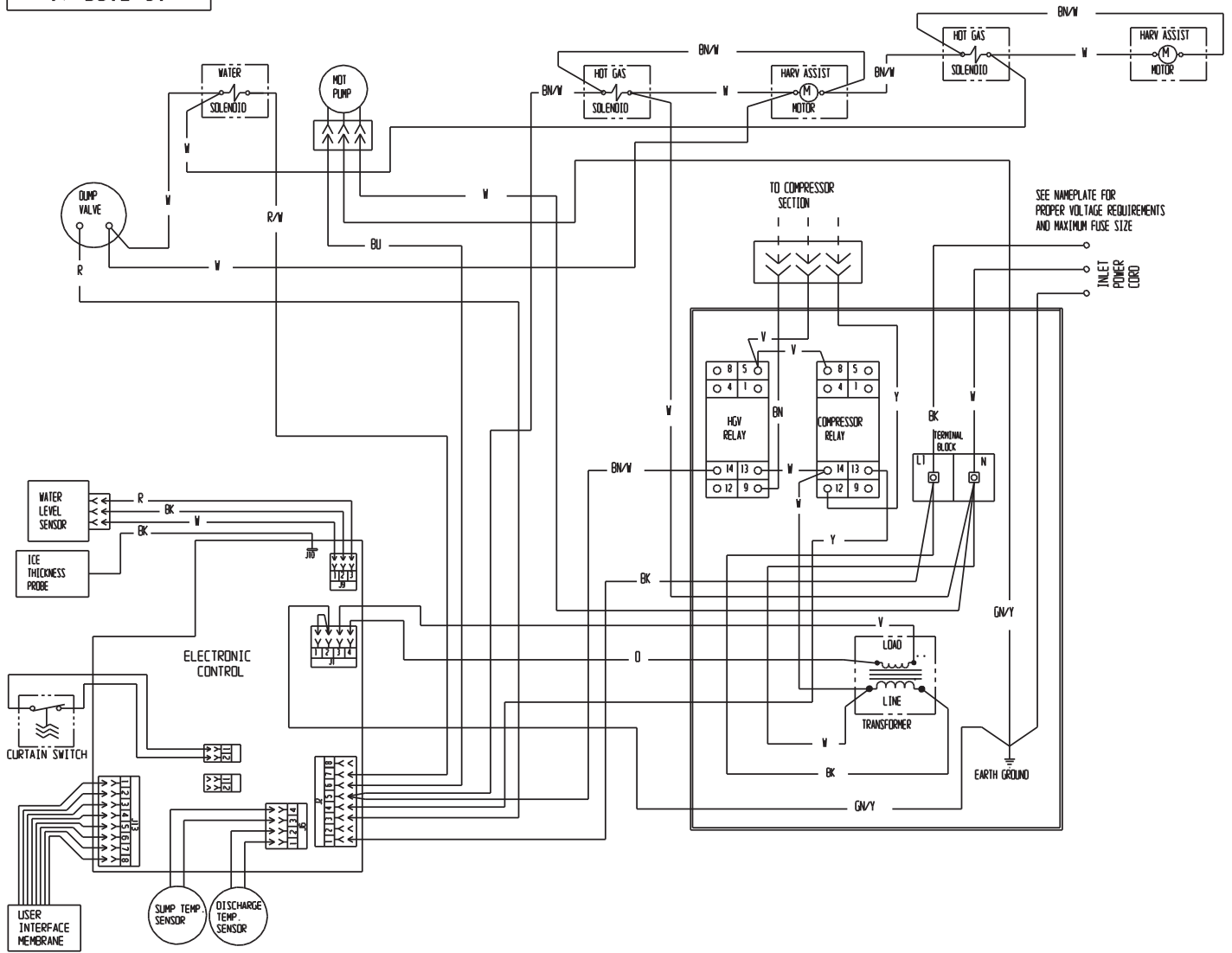


# Prodigy Eclipse ECC, EH330 and EH430 C-E Service Parts EH330 D or EH430 D Wiring Diagram

17-3512-01

USE COPPER CONDUCTORS ONLY

△ DASHED LINES INDICATE FIELD WIRING WHICH MUST BE INSTALLED IN ACCORDANCE WITH THE NATIONAL ELECTRICAL CODE AND ALL STATE AND LOCAL CODES.



SEE NAMEPLATE FOR PROPER VOLTAGE REQUIREMENTS AND MAXIMUM FUSE SIZE

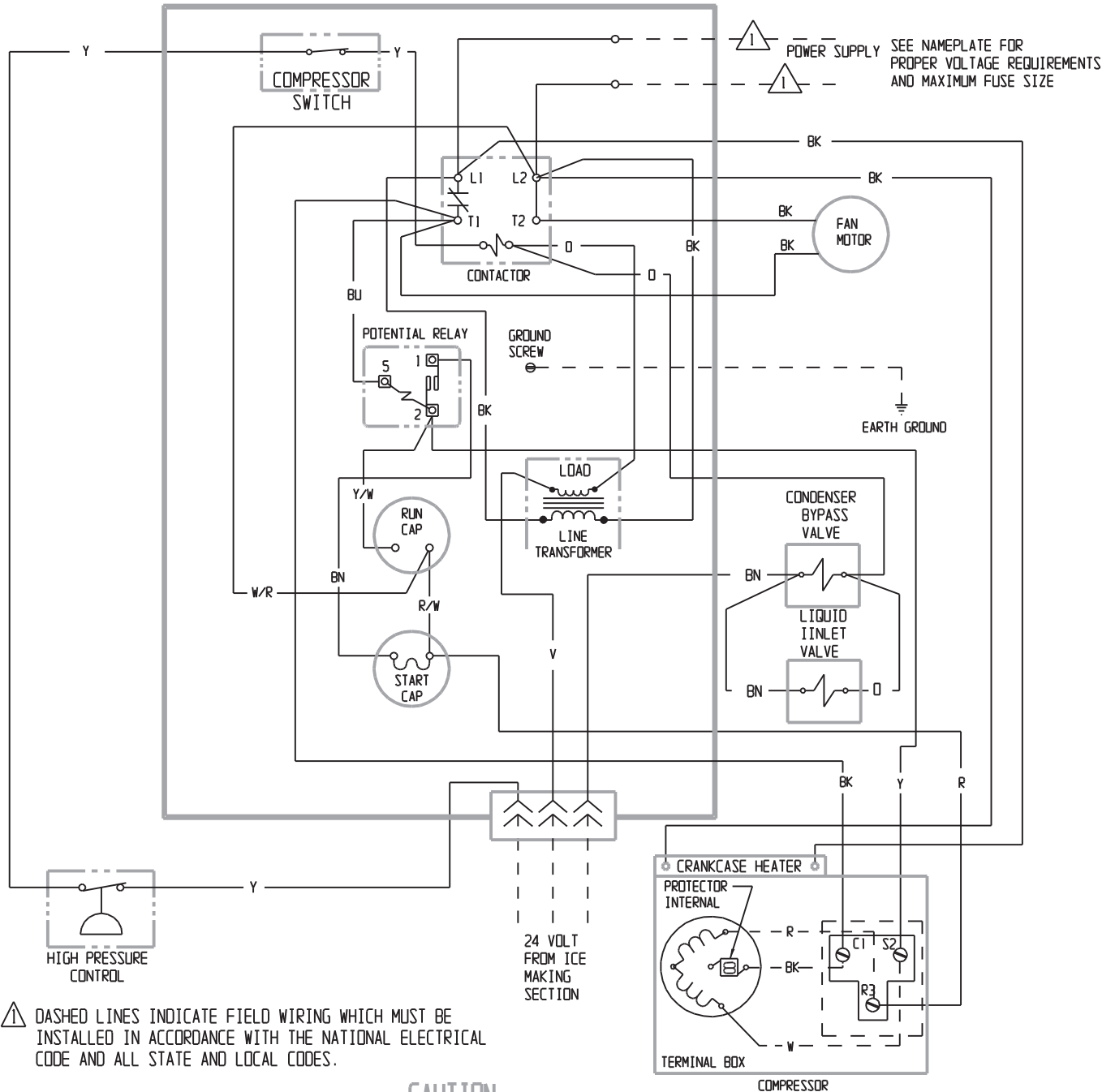
THIS UNIT MUST BE GROUNDED.

CAUTION:  
MORE THAN ONE DISCONNECT MEANS MAY BE REQUIRED TO DISCONNECT ALL POWER TO THIS UNIT.

# Prodigy Eclipse ECC, EH330 and EH430 C-E Service Parts ECC1200 C.D and ECC1410 C.D Single Phase Wiring Diagram

17-3461-01

USE COPPER CONDUCTORS ONLY



⚠ DASHED LINES INDICATE FIELD WIRING WHICH MUST BE INSTALLED IN ACCORDANCE WITH THE NATIONAL ELECTRICAL CODE AND ALL STATE AND LOCAL CODES.

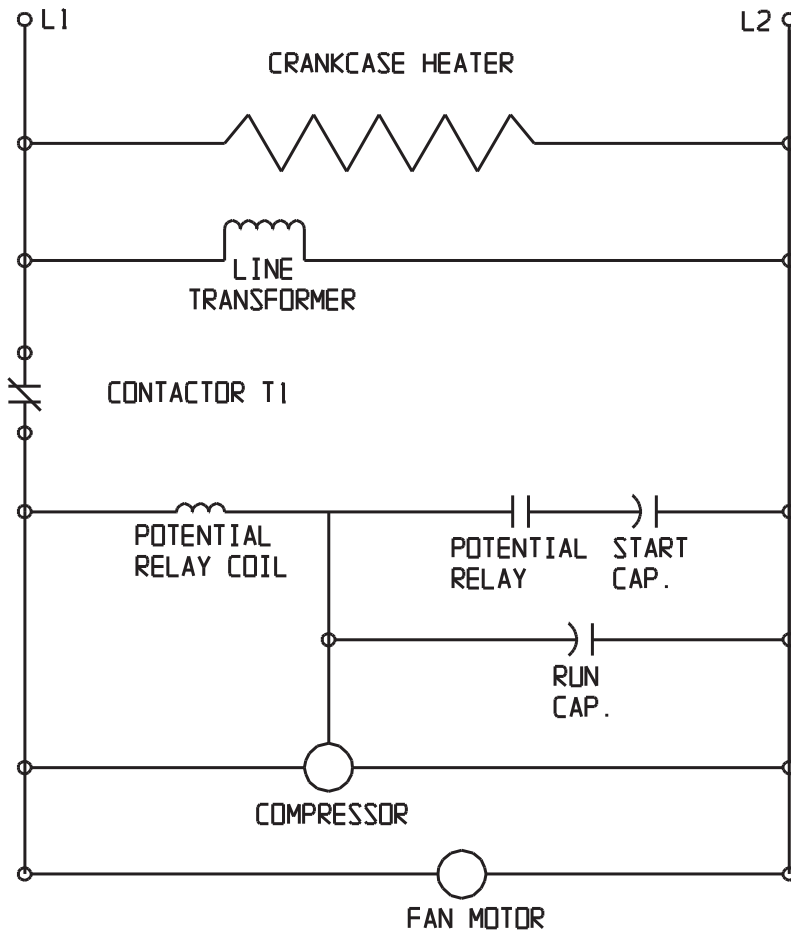
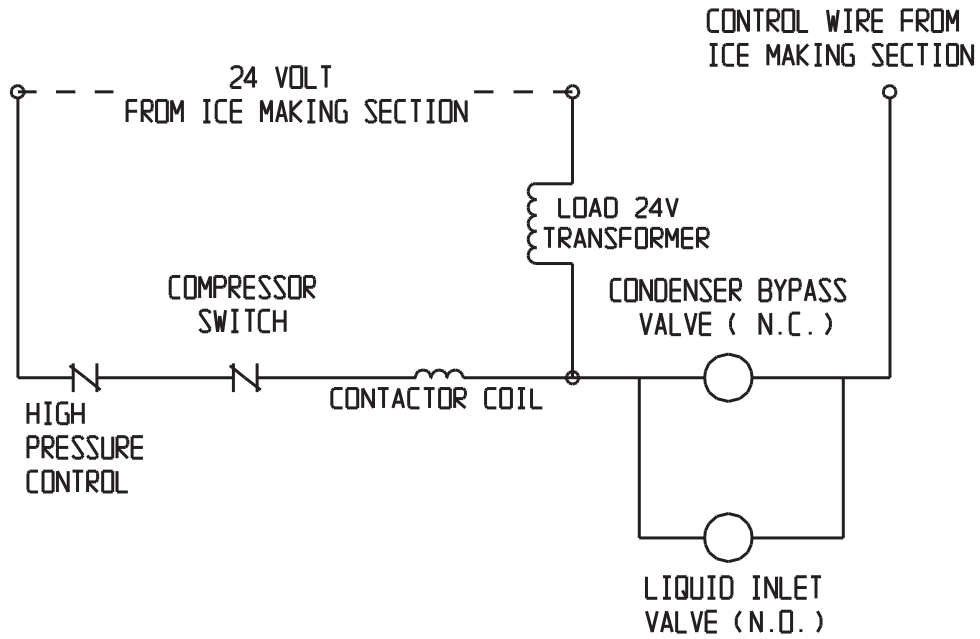
CAUTION:

THIS UNIT MUST BE GROUNDED.

MORE THAN ONE DISCONNECT MEANS MAY BE REQUIRED TO DISCONNECT ALL POWER TO THIS UNIT.

# Prodigy Eclipse ECC, EH330 and EH430 C-E Service Parts

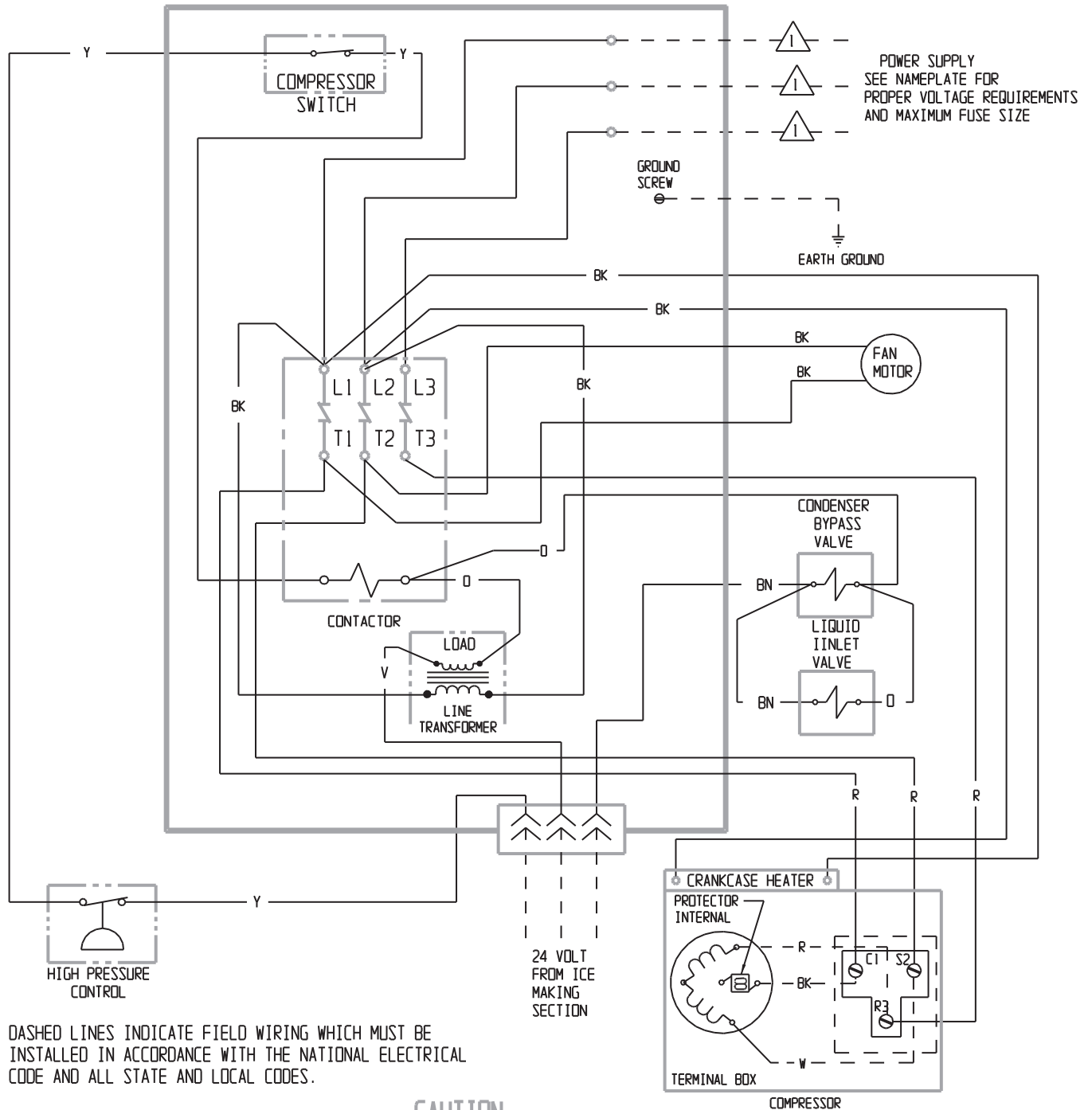
## ECC1200 C.D and ECC1410 C.D Single Phase Schematic Diagram



# Prodigy Eclipse ECC, EH330 and EH430 C-E Service Parts ECC1200 C-E, ECC1410 C.D and ECC1800 C-E Three Phase Wiring Diagram

17-3460-01

USE COPPER CONDUCTORS ONLY



⚠ DASHED LINES INDICATE FIELD WIRING WHICH MUST BE INSTALLED IN ACCORDANCE WITH THE NATIONAL ELECTRICAL CODE AND ALL STATE AND LOCAL CODES.

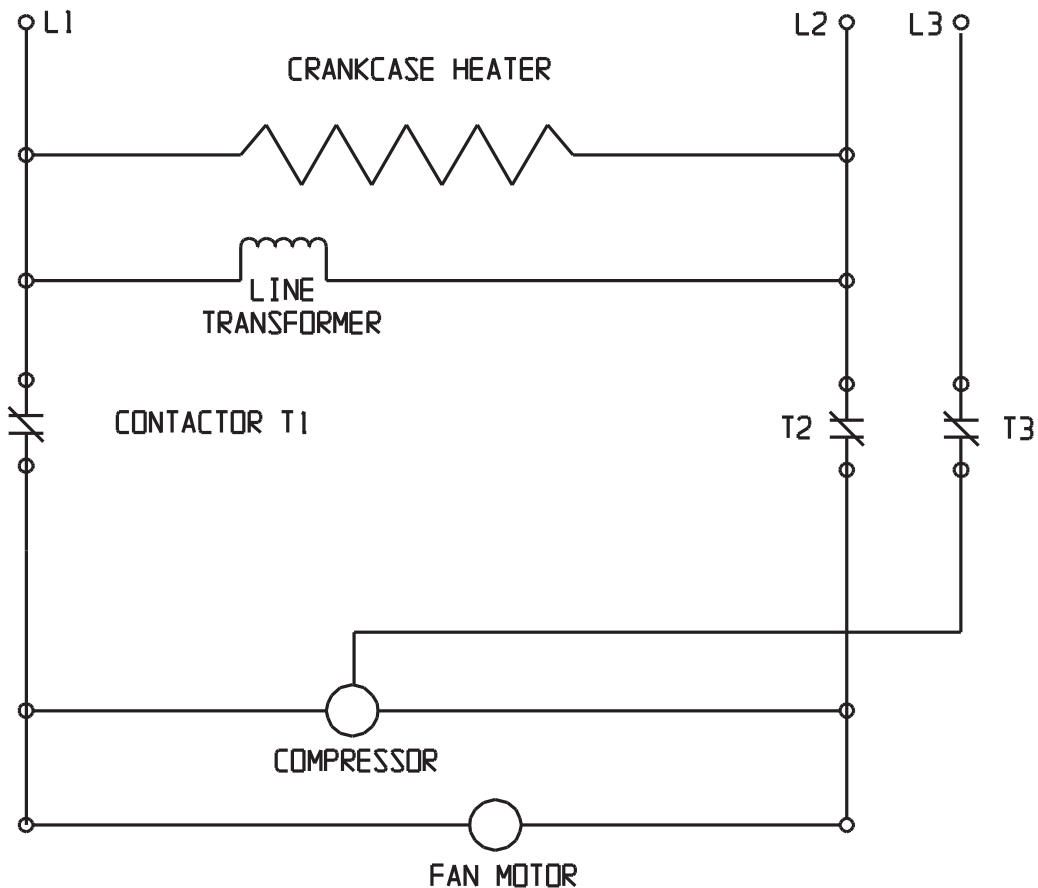
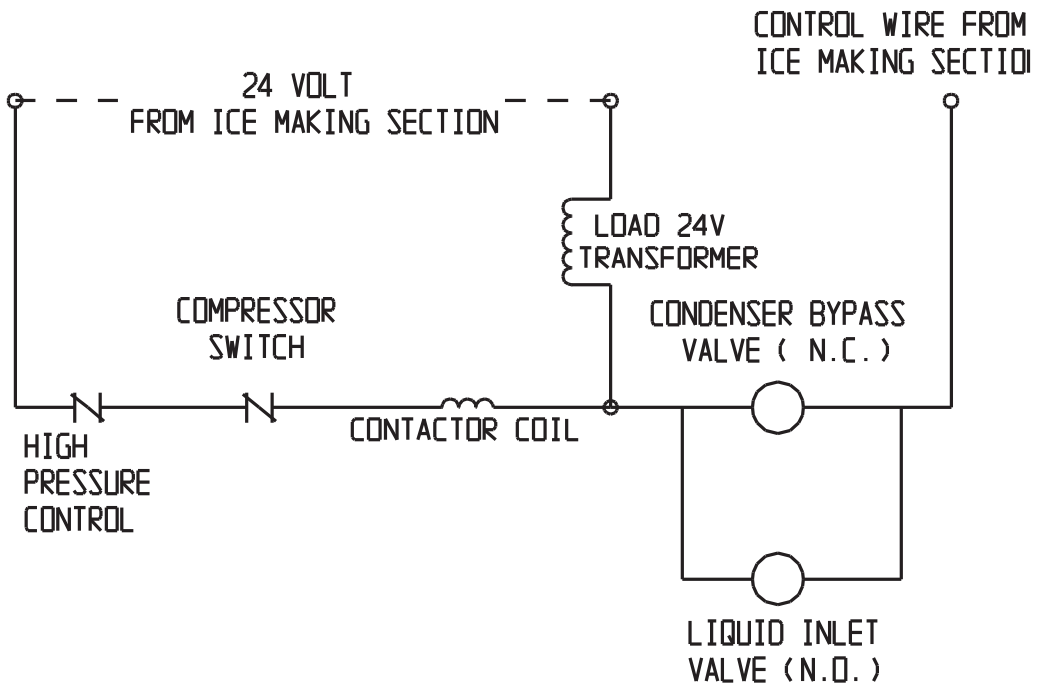
CAUTION:

MORE THAN ONE DISCONNECT MEANS MAY BE REQUIRED TO DISCONNECT ALL POWER TO THIS UNIT.

THIS UNIT MUST BE GROUNDED.

# Prodigy Eclipse ECC, EH330 and EH430 C-E Service Parts

ECC1200 C-E, ECC1410 C.D and ECC1800 C-E, Three Phase Schematic Diagram

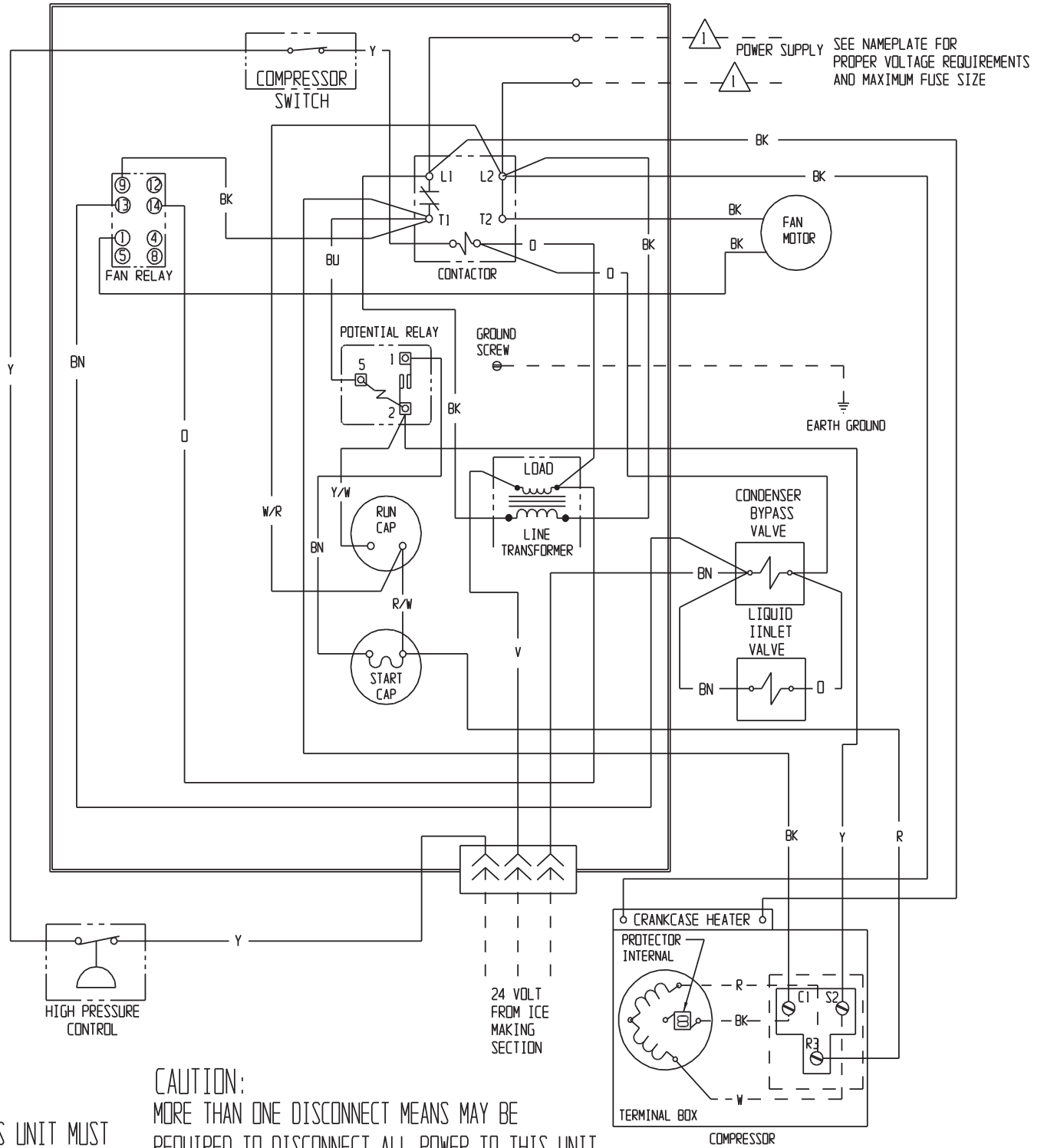


# Prodigy Eclipse ECC, EH330 and EH430 C-E Service Parts

## ECC1200 E and ECC1410 E Single Phase Wiring Diagram

17-3653-01

USE COPPER CONDUCTORS ONLY



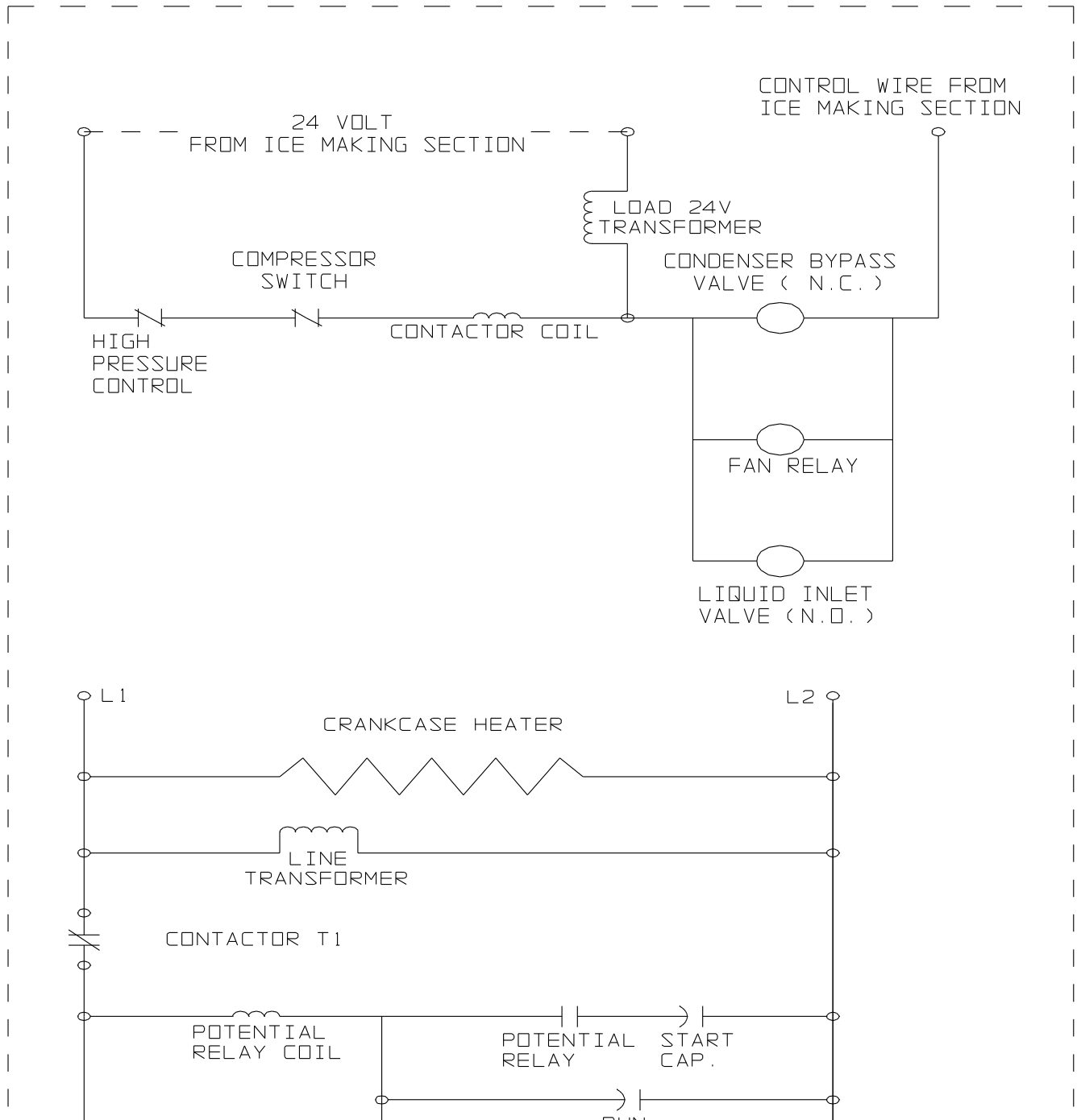
THIS UNIT MUST BE GROUNDED.

CAUTION:  
MORE THAN ONE DISCONNECT MEANS MAY BE REQUIRED TO DISCONNECT ALL POWER TO THIS UNIT.

# Prodigy Eclipse ECC, EH330 and EH430 C-E Service Parts

## ECC1200 E and ECC1410 E Single Phase Wiring Diagram

⚠ DASHED LINES INDICATE FIELD WIRING WHICH MUST BE INSTALLED IN ACCORDANCE WITH THE NATIONAL ELECTRICAL CODE AND ALL STATE AND LOCAL CODES.

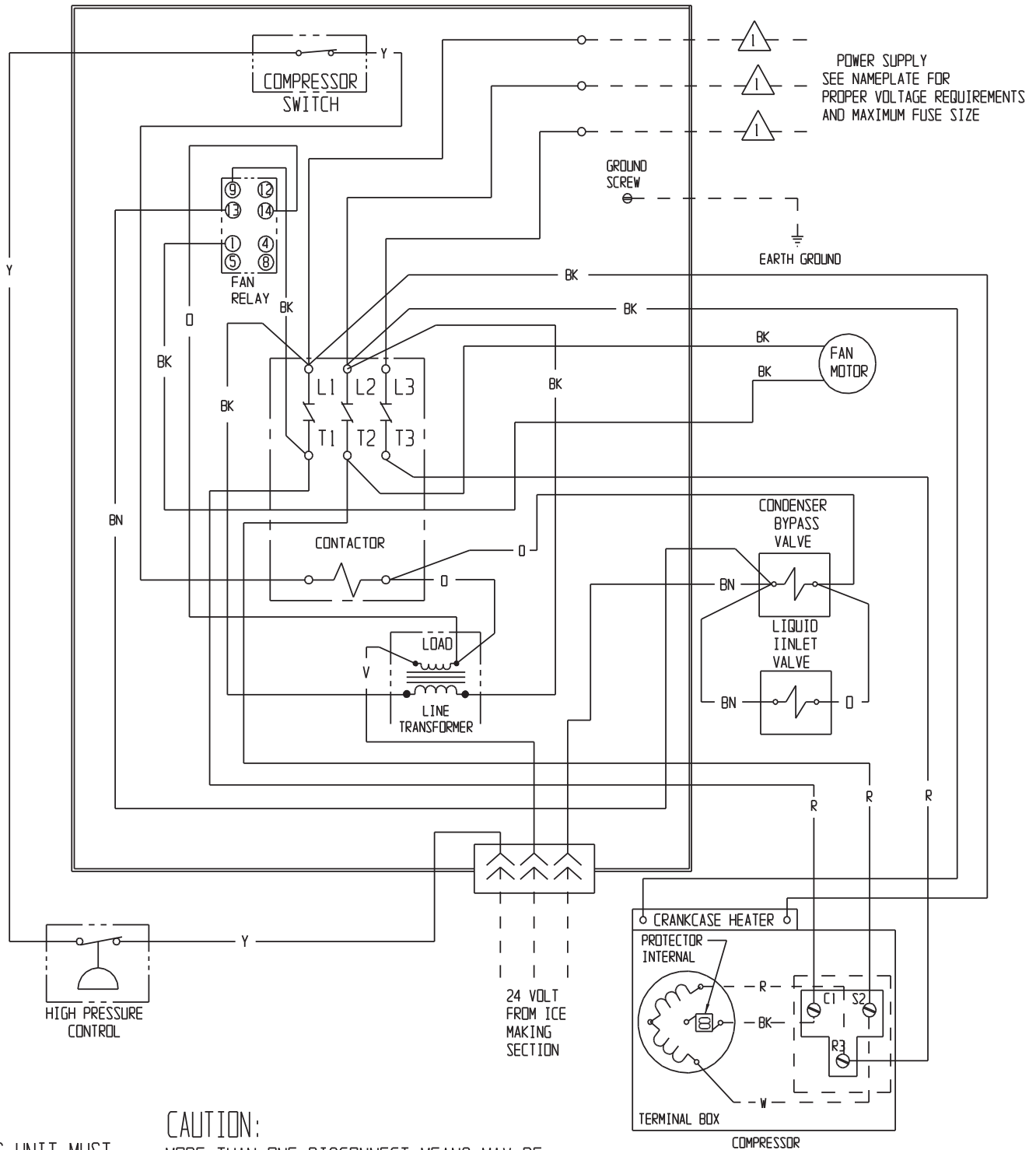


# Prodigy Eclipse ECC, EH330 and EH430 C-E Service Parts

## ECC1410 E Three Phase Schematic Diagram

17-3652-01

USE COPPER CONDUCTORS ONLY



THIS UNIT MUST  
BE GROUNDED.

CAUTION:  
MORE THAN ONE DISCONNECT MEANS MAY BE  
REQUIRED TO DISCONNECT ALL POWER TO THIS UNIT.

# Prodigy Eclipse ECC, EH330 and EH430 C-E Service Parts

## ECC1410 E Three Phase Schematic Diagram

⚠ DASHED LINES INDICATE FIELD WIRING WHICH MUST BE INSTALLED IN ACCORDANCE WITH THE NATIONAL ELECTRICAL CODE AND ALL STATE AND LOCAL CODES.

