

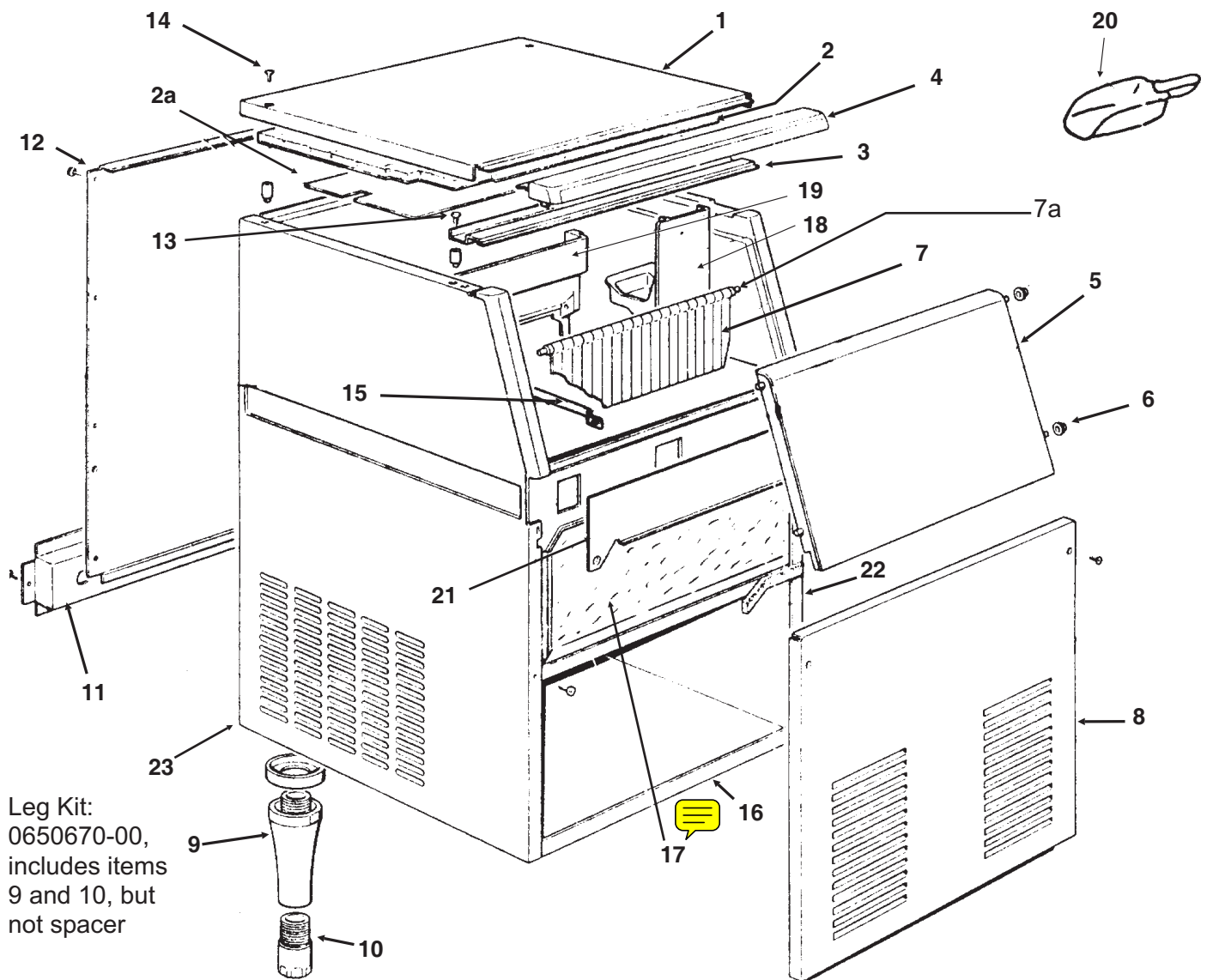
CSE60 Service Parts

This is the parts list for the CSE60. Always check the description to be certain that it matches the part required.

Table of Contents

Cabinet	page 2
Water System	page 3
Refrigeration	page 4
Control Box	page 5
Wiring Diagrams	page 6

CSE60 Service Parts CABINET

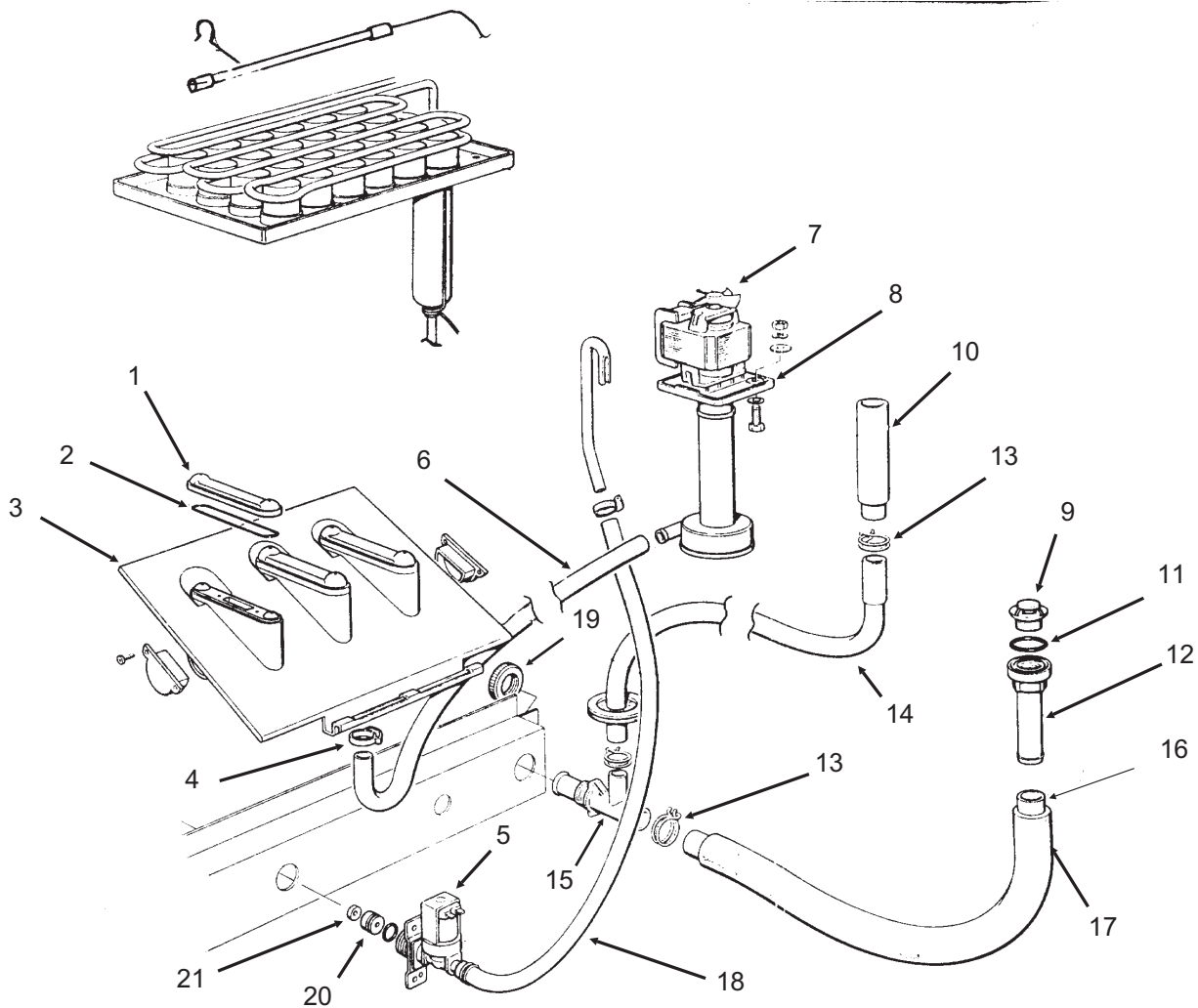


Leg Kit:
0650670-00,
includes items
9 and 10, but
not spacer

ITEM NUMBER	PART NUMBER	DESCRIPTION	ITEM NUMBER	PART NUMBER	DESCRIPTION
1.	F701939-04	Top panel	11.	F702248-03	Lower back panel,
2.	F784378-00	Insulation	12.	F702295-00	Back panel
2a	F742033-00	Cover	13.	F470000-03	Screw
3.	F721455-00	Brace	14.	F470002-00	Screw
4.	F660468-02	Upper Door Frame	15.	F732017-00	Bin Thermo Bracket
5.	F660572-01	Door	16.	F791061-02	Unit base assembly
6.	F660286-00	Door Bushing (4)	17.	F060498-01	Storage Bin Assembly
7.	F784169-09R	Curtain	18.	F660470-02	Pump bracket
7a	13-0617-28	O-Ring at end of rod	19.	F660469-02	Curtain bracket
8.	F721695-01	Front panel,	20.	02-3253-01	Scoop
9.	F660257-00	Leg	21.	F721668-05	Front plate
	F660516-00	Leg spacer	22.	F721808-00	Right side panel
10.	F660258-01	Leg Leveler	23.	F721809-00	Left side panel

CSE60 Service Parts

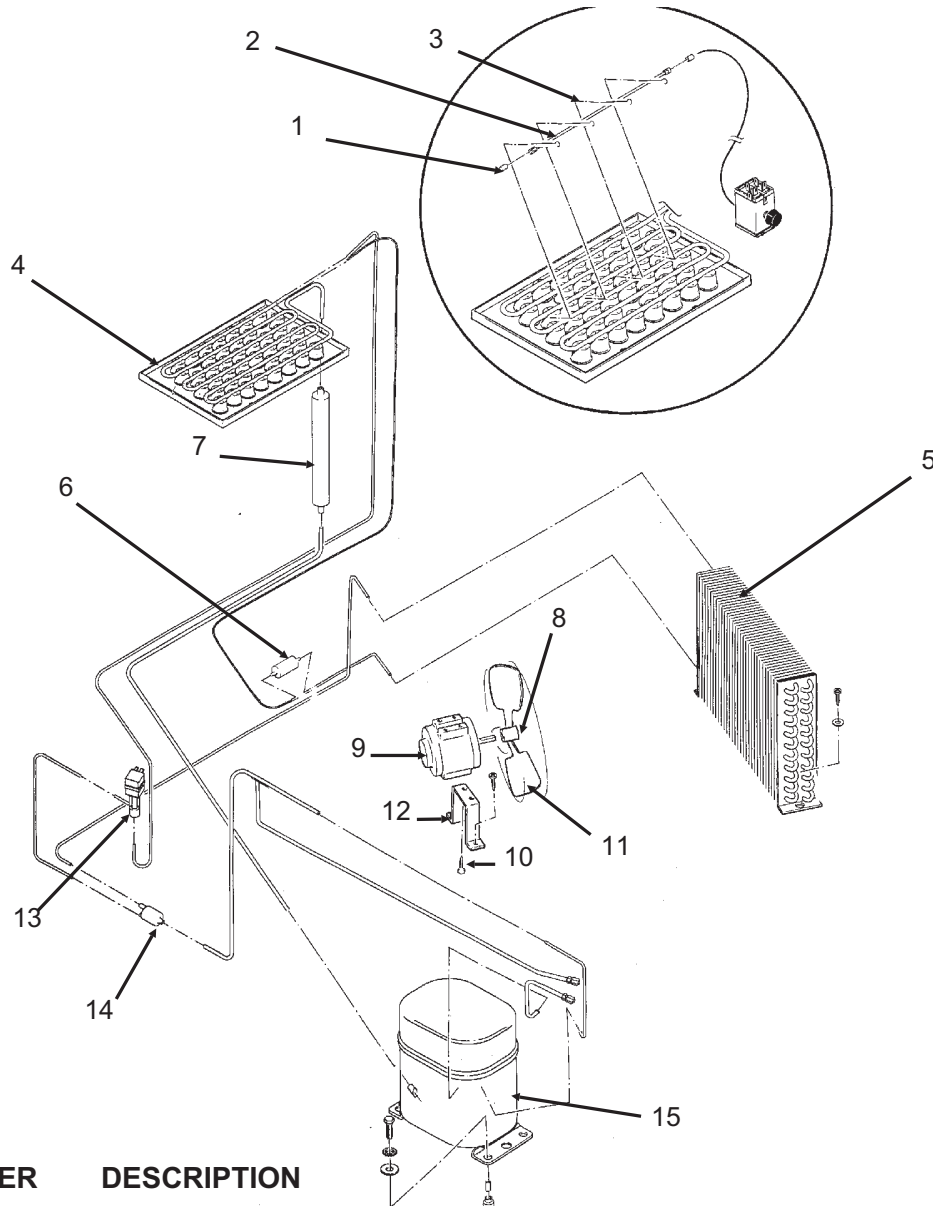
Water System



ITEM NUMBER	PART NUMBER	DESCRIPTION	ITEM NUMBER	PART NUMBER	DESCRIPTION
1.	F060529-01	Spray nozzle (set of 3)	13.	no number	Hose Clamp
2.	F640041-20	Gasket	14.	F610159-02	Drain tube
3.	F793129-04	Spray system (complete)	15.	F660224-00	Drain Fitting
4.	F650499-01	Hose Clamp	16.	F610148-11	Bin Drain Hose
5.	A32405-001	Inlet Water Valve	17.	F744014-05	Drain Hose Insul.
6.	F610166-00	Hose, Pump To Jets	18.	F281900-04	Supply Hose, 1 meter
7.	F660463-02	Pump Fan	19.	F660535-00	Ring Nut
8.	A32588-020	Water Pump	20.	no number	part of item 5
9.	F660211-01	Drain Top	21.	no number	part of item 5
10.	F660387-01	Stand pipe	Not Shown,		
11.	F640134-00	O-ring	22.	02165477	Inlet Water Adaptor (optional)
12.	F660219-01	Drain Tube Fitting	23.	F660570-00	Rubber cap (left of water pump)

CSE60 Service Parts

REFRIGERATION

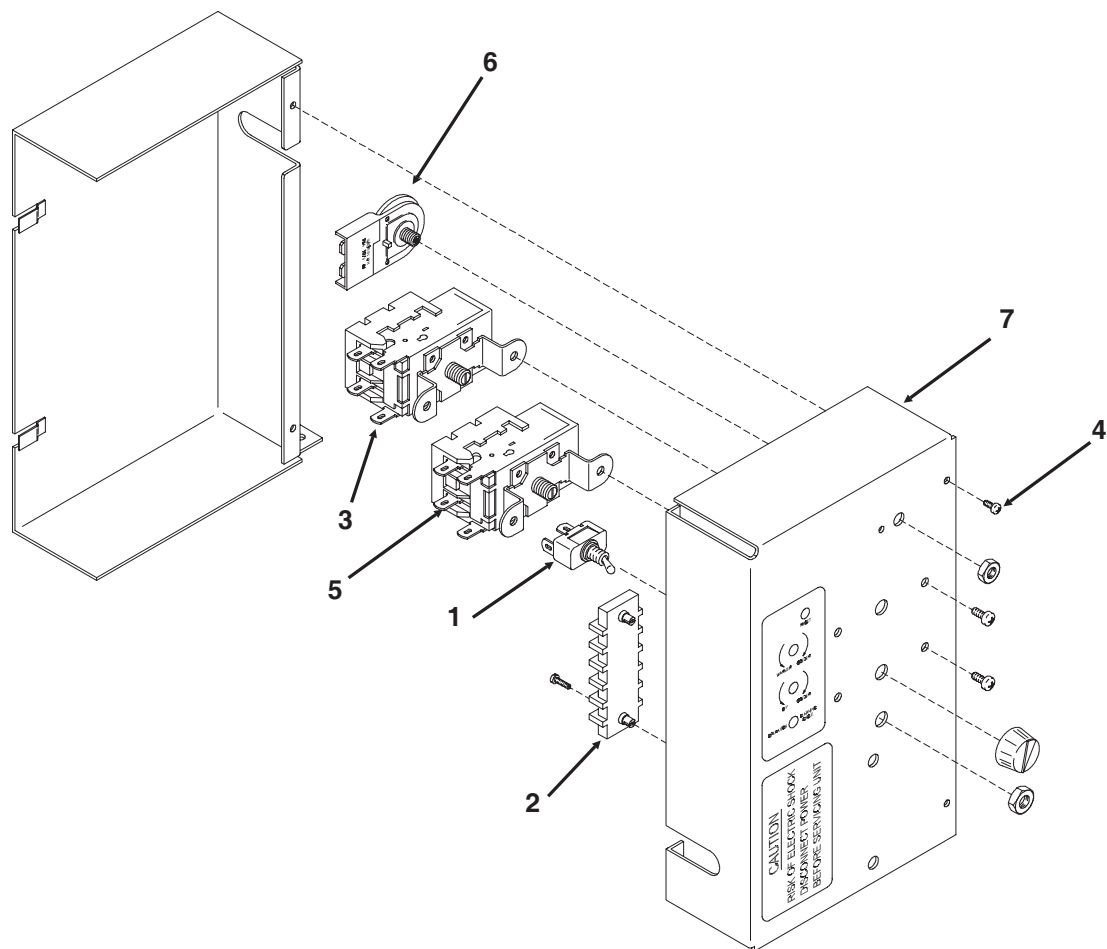


ITEM NUMBER	PART NUMBER	DESCRIPTION
1.	obsolete	Tube Cap
2.	F741114-00R	Tube
3.	F650475-02	Tube Clip
4.	F784297-01	Evaporator
5.	F620420-00	Condenser
6.	F630003-05	Drier
7.	F784444-03	Accumulator/suction Line
8.	18-8752-11	Fan Nut
9.	A38464-001	Fan Motor kit, includes fan motor, blade and mounting bracket. Fits any CSE60.
10.	F420800-00	Screw
11.	18-8725-21	Fan blade kit, two blades to fit any CSE60

ITEM NUMBER	PART NUMBER	DESCRIPTION
12.	F620419-61	Fan motor bracket, does not fit Morrill motor. Morrill motor bracket obsolete.
13.	F620306-27	Hot Gas Valve Body
	F620306-51	Hot Gas Valve Coil
14.	F630137-00	Strainer
15.	F670101-05	Compressor
	F620167-24	Start capacitor
	F620057-58	Relay
	F620058-91	Overload

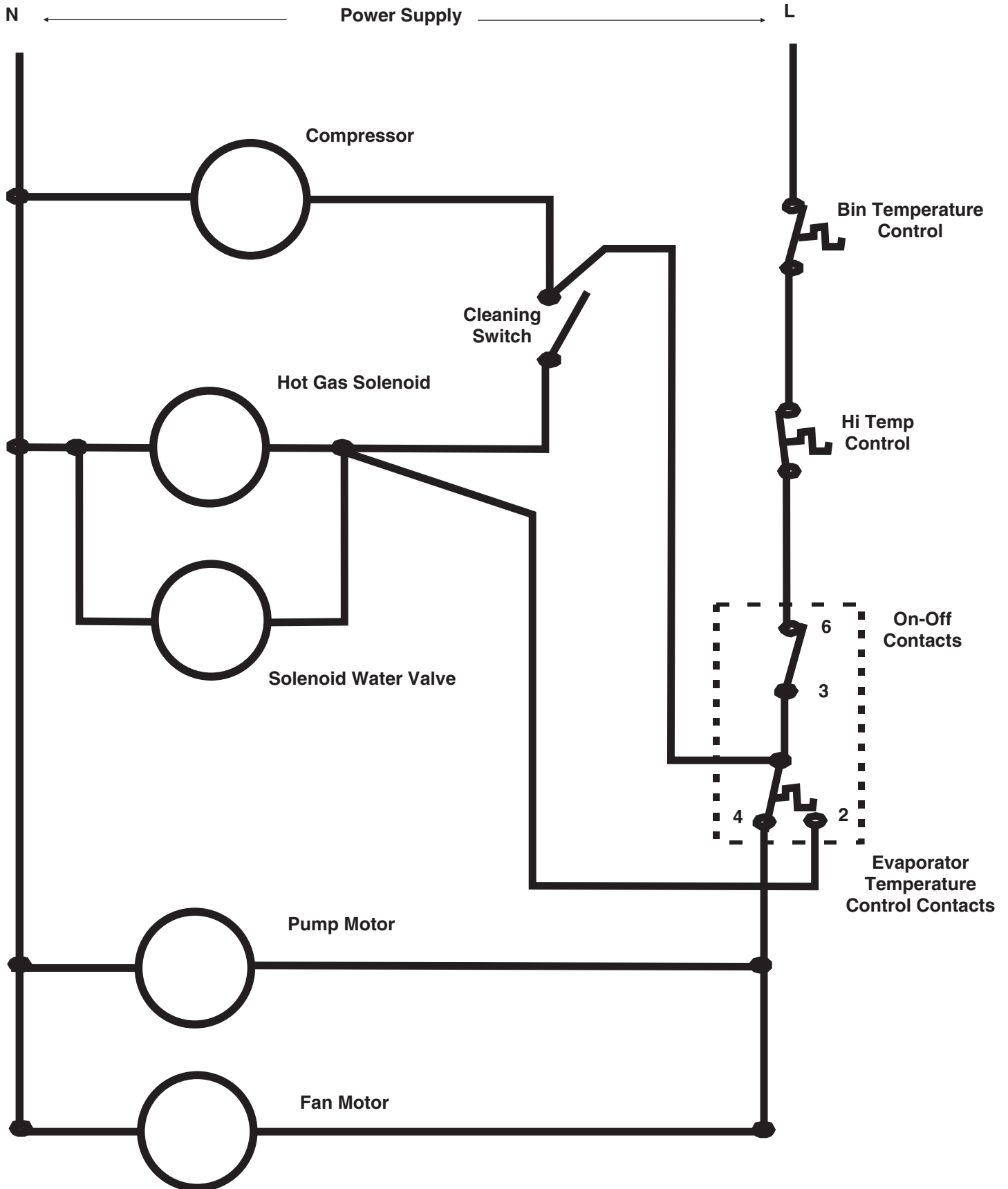
CSE60 Service Parts

CONTROL BOX



ITEM NUMBER	PART NUMBER	DESCRIPTION
1.	F620033-01	Toggle Switch
2.	F630114-01	Terminal Board
3.	F620209-00	Bin Thermostat
4.	F470079-00	Screw
	F440063-00	Lockwasher
5.	F620264-11	Cube Size Control
6.	F620443-01	Hi temperature cut out
7.	F705219-00	Control box cover

CSE60 Service Parts SCHEMATIC DIAGRAM





Bulletin Number: PS - 5 - 2003

Bulletin Date: July 2003

SERVICE BULLETIN

Subject: CSE60 Fan Motor and Blade Change

The fan motor and blade used on the CSE60 has been changed.

Use began with sn 615621-03D to 615640-03D and 615844-04D to 615983-04D.

The new part number will be a kit that includes the fan motor, blade and motor mounting bracket so it fits any CSE60. The kit number is **0794247-18**.

The replacement fan blade will also be a kit so the service tech will always get the correct part. The kit will include two fan blades, one for the prior motor and one for the new motor. The fan blade kit number is: **18-8725-21**.