

INTRODUCTION

This manual is intended as a reference for the installation of a Scotsman ice maker models CME865 and CME1002.

Table of Contents

INTRODUCTION	Page 1
SPECIFICATIONS	Page 2
PRODUCT INFORMATION	Page 3
UTILITY CONNECTION LOCATIONS	Page 4
FOR THE INSTALLER: Environmental Limitations	Page 5
FOR THE INSTALLER: Machine & Bin Assembly	Page 6
FOR THE PLUMBER	Page 7
FOR THE ELECTRICIAN: Electrical Connections	Page 8
FOR THE INSTALLER: Final Check List	Page 9
INITIAL START UP	Page 10
ADJUSTMENT OF THE TIMER & SWITCH ASSEMBLY	Page 12
COMPONENT DESCRIPTION	Page 13
SERVICE SPECIFICATIONS: CME865W	Page 16
SERVICE SPECIFICATIONS: CME1002W	Page 17
CLEANING	Page 18
SERVICE DIAGNOSIS	Page 20
SERVICE DIAGNOSIS: Ice Level Control Circuit	Page 22
REMOVAL AND REPLACEMENT	Page 23
REFRIGERATION SERVICE	Page 26
LIQUID CHARGING	Page 27

Parts lists and wiring diagrams are in the center of the manual, printed on yellow paper.

This manual was printed on recycled paper.

This manual contains information on maintenance and service, keep it for future reference.

Note this symbol where it appears, it marks a possible hazard.



CME865W & CME1002W

SPECIFICATIONS

Before beginning installation, be sure that all of the components necessary for complete assembly of the ice system are available, and are the correct components with regard to model, voltage, and finish.

A stacking kit (KSCMS) is required for stacking CME1002 or CME865 ice machines. It interconnects the sonar bin ice level controls. A CME865 or CME1002 may only be stacked onto models CME865, CME1002, MCM1062 or CMS1002.

The CME865 or CME1002 will fit any current 30" wide Scotsman bin, such as the BH550 or HTB555, without needing a bin top. Other bins will require a bin top.

Note: The sonar transducer, located in the base of the machine, must NOT be covered by installation material (such as a non-Scotsman bin top). The transducer must have clear access to the ice to be able to sense the ice level.

Model Number	Dimensions W" x D" x H"	Basic Electrical	Minimum Circuit Ampacity	Maximum Fuse Size	Refrigerant Charge* R-404A
CME865WE-32A	30 x 24 x 27	208-230/60/1	14.5	20	36 ounces
CME865WE-6A	30 x 24 x 27	30/50/1			36 ounces
CME1002WE-32A	30 x 24 x 27	208-230/60/1	18.5	20	38 ounces
CME1002WE-3A	30 x 24 x 27	208-230/60/3	12.3	15	38 ounces
CME1002WE-6A	30 x 24 x 27	30/50/1			38 ounces

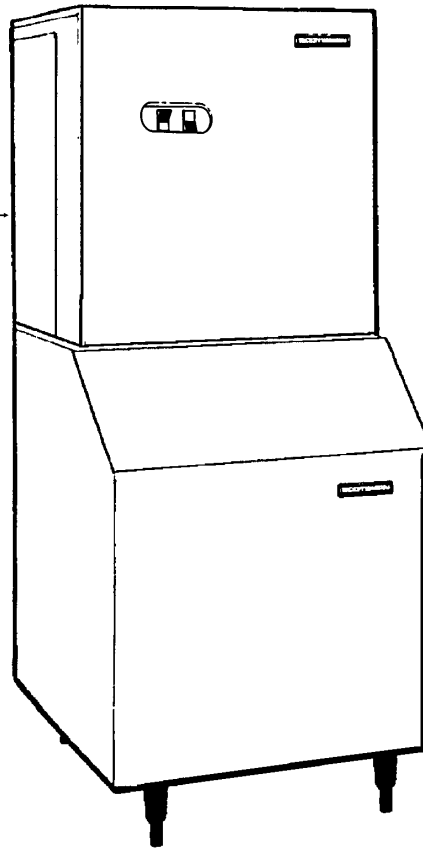
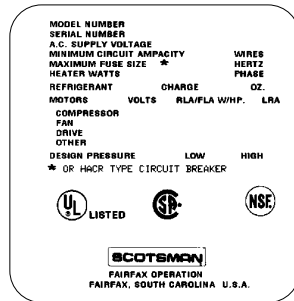
* The system charge is in the machine. This number is for recharging purposes only. If the nameplate has a different value, go by the nameplate.

	Air Temperature	Water Temperature	Voltage
Minimum	50 ⁰ F.	40 ⁰ F.	-5%
Maximum	100 ⁰ F.	100 ⁰ F.	+10%

PRODUCT INFORMATION

Always refer to the nameplate, located on the back of the cabinet, for the:

- model number,
- serial number,
- basic electrical requirements,
- minimum circuit ampacity,
- maximum fuse size,
- and refrigerant charge.



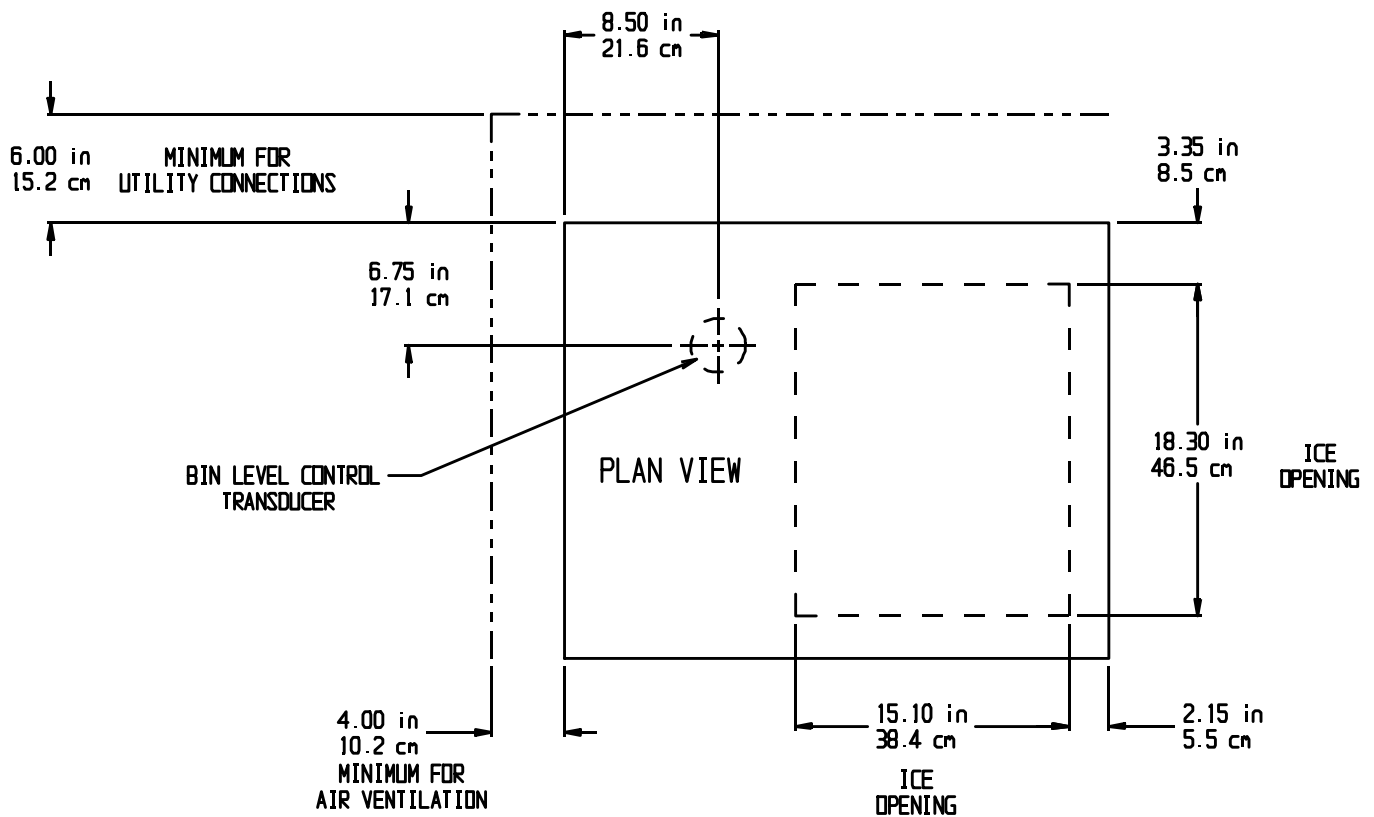
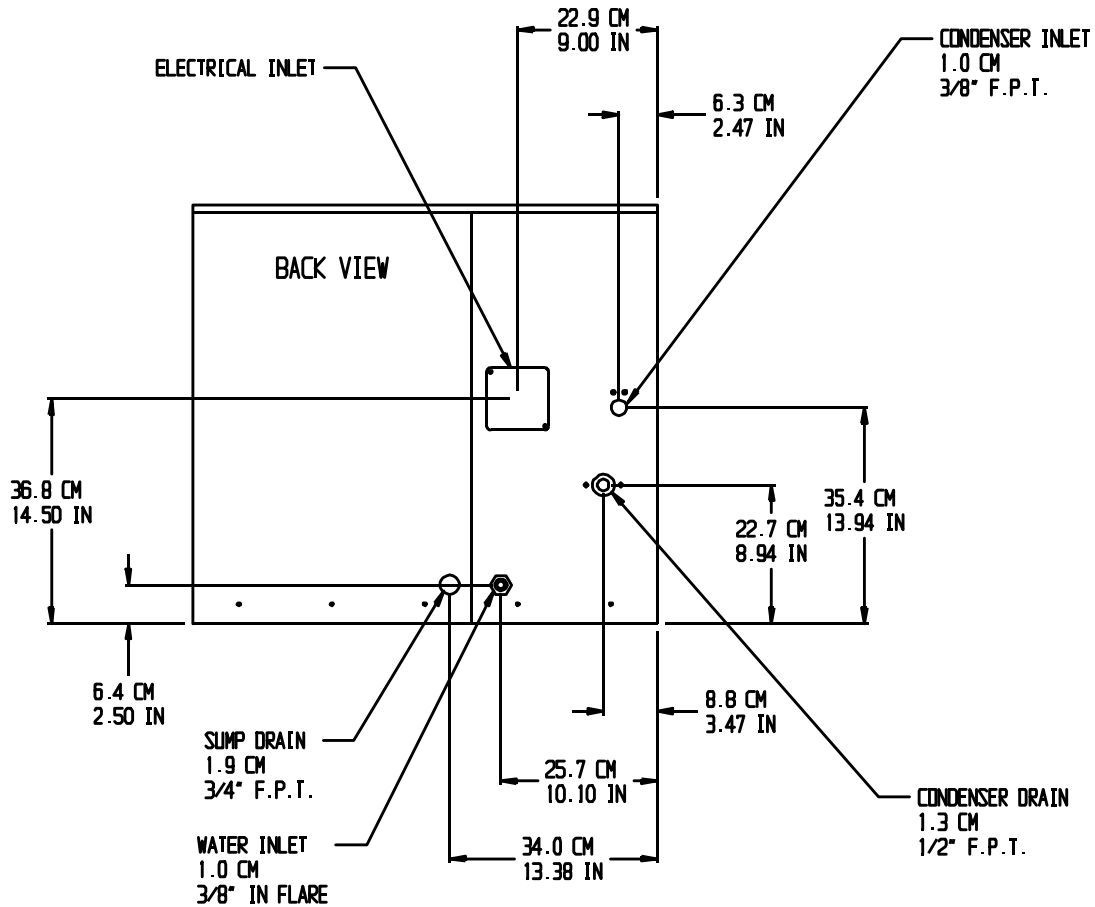
A serial number plate with the model number, serial number and refrigerant charge is located behind the front panel, near the control box.

The unit comes from the factory with the correct refrigerant charge. The refrigerant charge information is for recharging, should that be necessary.

All utility connections are made at the back of the ice maker.

CME865W & CME1002W

UTILITY CONNECTION LOCATIONS



CME865W & CME1002W

FOR THE INSTALLER: Environmental Limitations

Installation Limitations

The ice making portion of this ice system is designed to be installed indoors, in a controlled environment.

	Minimum	Maximum
Air Temp	50 ⁰ F.	100 ⁰ F.
Water Temp	40 ⁰ F.	100 ⁰ F.
Water Pressure	20 PSI	80 PSI
Voltage	197	253

Operating the ice machine outside of the above limitations, or outdoors, is potentially damaging to the machine; also it is misuse of the machine, which may void the warranty.

Scotsman Ice Systems are designed and manufactured with the highest regard for safety and performance. They meet or exceed the standards of UL, NSF, and CSA.

Scotsman assumes no liability or responsibility of any kind for products manufactured by Scotsman that have been altered in any way, including the use of any part and/or other components not specifically approved by Scotsman.

Scotsman reserves the right to make design changes and/or improvements at any time.

Specifications and design are subject to change without notice.

Water Limitations

An ice machine is a food manufacturing plant; it takes a raw material, water, and turns it into a food product, ice. The purity of the water is very important in obtaining pure ice and in maximizing product life. These general recommendations should help keep the ice maker clean:

1. Filter the water used to produce ice. Water filters vary greatly in ability and function. Install one that filters out suspended solids to a dimension of 5 microns or smaller. The finer the filter the better, but finer filters will clog sooner than course ones. It may be necessary to add a course filter ahead of the fine filter to prolong filter life.
2. Check with a water treatment specialist for a water test, and recommendations regarding filters and treatment.

When servicing a machine, it's helpful to compare that unit's operating characteristics to those of a new, clean, normally operating machine. What follows is that type of information:

Service Limitations

Some space on the sides, the back and the top should be allowed for service and utility connections.

NAMEPLATE, LOCATED ON
BACK PANEL.
A SERIAL NUMBER PLATE IS
LOCATED BEHIND THE
FRONT PANEL, NEAR THE
CONTROL BOX.

MODEL NUMBER			
SERIAL NUMBER			
A.C. SUPPLY VOLTAGE			
MINIMUM CIRCUIT AMPACITY		WIRES	
MAXIMUM FUSE SIZE *		HERTZ	
HEATER WATTS		PHASE	
REFRIGERANT	CHARGE	OZ.	
MOTORS	VOLTS	RLA/FLA W/HP.	LRA
COMPRESSOR			
FAN			
DRIVE			
OTHER			
DESIGN PRESSURE		LOW	HIGH
* OR HACR TYPE CIRCUIT BREAKER			
			
SCOTSMAN			
FAIRFAX OPERATION FAIRFAX, SOUTH CAROLINA U.S.A.			

CME865W & CME1002W

FOR THE INSTALLER: Machine & Bin Assembly

Overview:

This ice system is comprised of 2 major assemblies:

1. The ice storage bin.
2. The ice maker itself.

Storage Bin:

After uncrating the ice storage bin, attach the legs to the bin:

1. Use a portion of the carton as a cushion, and tip the storage bin on its back.
2. Screw the legs into the threaded holes in the bottom of the bin.
3. Turn the leg levelers all the way in to prepare the bin and ice machine for leveling.
4. Return the bin to the upright position.

Ice Maker:

1. Arrange for proper electric, water and drain. See instructions for the plumber and for the electrician.
2. Position the ice storage bin in the selected INDOOR location.
3. Level the bin, in both the front to rear and side to side directions.
4. Inspect the bin top mounting gasket which should be flat, with no wrinkles, to provide a good water seal when the cuber is installed on top of the bin.
5. Install the modular cuber on top of the bin using care to be sure a good seal is made between the two cabinets, use of a mechanical lift is recommended. Align the holes in the bottom back of the cabinet to mate with the two mounting straps on the top rear of the bin.
6. Use bolts and straps found in the hardware package to secure the ice machine to the ice storage bin. When alignment and leveling are completed, tighten the bolts to secure the mounting straps.

FOR THE PLUMBER

Water Supply

The recommended water supply line is a 3/8-inch O.D. tubing with a minimum operating pressure of 20 PSIG and a maximum of 80 PSIG.

A separate water inlet is required for the condenser water supply.

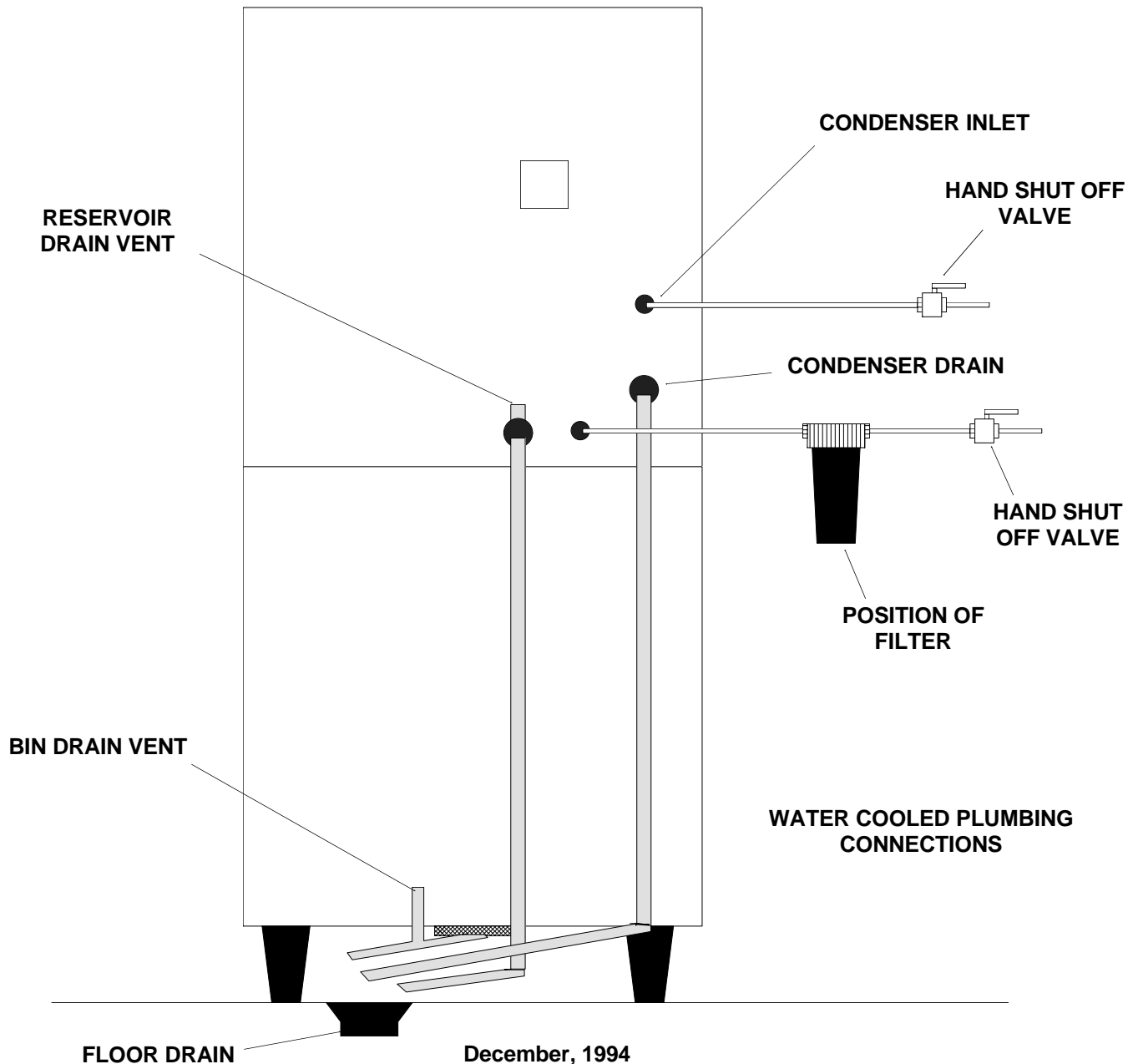
Connect to cold water supply line with standard plumbing fittings, with shut off valve installed in an accessible place between the water supply and the cuber. In some cases a plumber will be required.

CONFORM TO ALL LOCAL CODES

Drain Connections:

Connections: All drains are gravity type and must have a minimum of 1/4 - inch fall per foot of horizontal run. The drains to be installed must conform with the local plumbing codes. Install a vertical open vent on the ice machine reservoir drain. The ideal drain receptacle is a trapped and vented floor drain. The storage bin drain should be insulated.

Water Cooled Connection: A separate cold water supply is required, connect to the 3/8-inch FPT fitting at the back of the cabinet. An additional drain line is required to drain the water cooled condenser, and must not interconnect to any of the other drains.



CME865W & CME1002W

FOR THE ELECTRICIAN: Electrical Connections

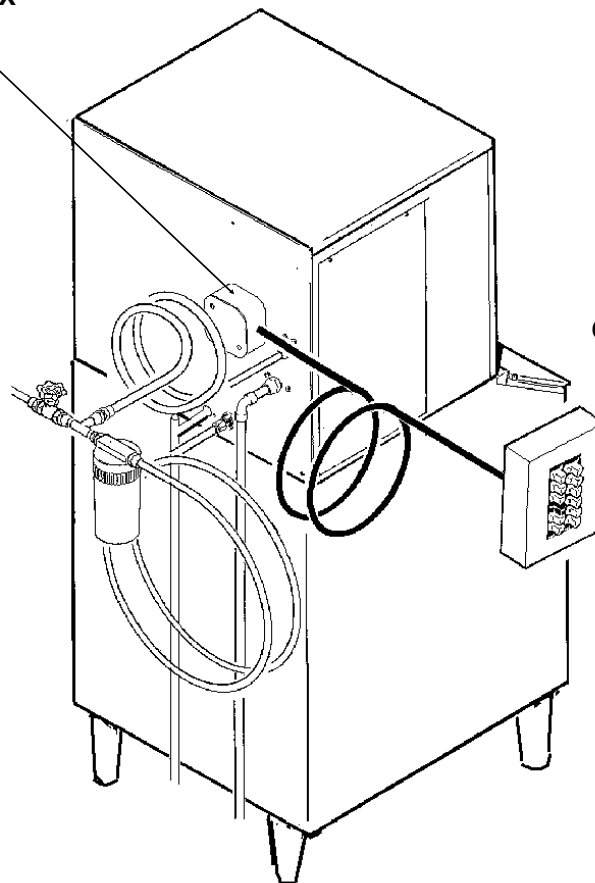
See the NAMEPLATE for current requirements to determine wire size to be used for electrical hookup. The cuber requires a solid chassis to chassis earth ground wire. See Wiring Diagram.

Be certain the cuber is connected to its own electrical circuit and individually fused. Voltage variation should not exceed ten percent of the nameplate rating, even under starting conditions. Low voltages can cause erratic operation and may be responsible for serious damage to the icemaker.

Electrical connections are made at the rear of the icemaker, inside the junction box.

All external wiring should conform to the national, state and local electrical code requirements. Usually an electrical permit and services of a licensed electrician will be required.

ELECTRICAL JUNCTION BOX



**FUSES or HACR
CIRCUIT BREAKERS**

FOR THE INSTALLER: Final Check List

1. Is the ice maker cabinet in a room where ambient temperatures are within the minimum and maximum temperatures specified?
2. Is there clearance at both sides of the cabinet and at the back and top for service and utility connections?
3. Has water supply pressure been checked to insure a minimum of 20 PSIG and a maximum of 80 PSIG operating pressure?
4. Is the cabinet level?
5. Check that any shipping material has been removed from inside the cabinet.
6. Have all electrical and piping connections been PROPERLY made?
7. Are the Master and Compressor switches on OFF?
8. Has power been connected to the ice maker?
9. Is the water supply line shut off valve installed?
10. Check all refrigerant lines and conduit lines, to guard against vibration or rubbing and possible failure.
11. Have the bin and cabinet been wiped clean and sanitized?
12. Has the Customer Evaluation & Warranty Registration form been properly filled out? Check for correct model and serial numbers from Serial nameplate, then mail the completed form to SCOTSMAN.
13. Has the owner been given the name and telephone number of the authorized SCOTSMAN Service Agency serving him?

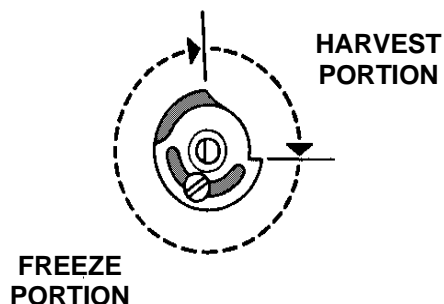
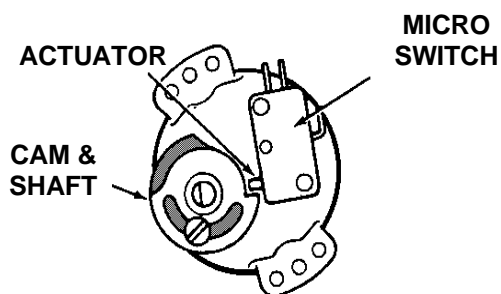
CME865W & CME1002W

INITIAL START UP

Ice Maker:

1. Remove front panel.
2. Remove two screws and the control box cover.
3. Remove the evaporator cover.
4. Remove the left side service panel.
5. Check that the ON/WASH/OFF rocker switch and the Compressor ON-OFF toggle switch are in the OFF position, on the control box.
6. OPEN the water supply line shut off valve.
7. Inside the control box is the shaft of the timer and the switch assembly. Rotate the shaft of the timer and switch assembly clockwise to where the actuator arm on the microswitch drops off outer cam into cam slot. See Timer Cam Positions.

TIMER CAM POSITIONS



8. Move the ON/WASH/OFF rocker switch to the ON position.

9. Observe water fill cycle: The water pump will be operating and the water inlet solenoid valve will OPEN. Incoming water flows from the valve through the tubing, the reservoir fills and excess water drains out the machine drain. At the end of the harvest cycle the water inlet solenoid valve will close and the water fill cycle is complete. If the reservoir is not full, turn the shaft of the timer clockwise into a new harvest cycle; this opens the water valve again.

The water pump forces water from the reservoir up to the water distributor at the top of each evaporator plate, where water is dispensed, cascades down both sides of the evaporator plate and drains back into the reservoir for recirculation.

10. Check that the water cascades down over the cube molds and into the reservoir. Note: Some spray is normal on new machines.

11. When the reservoir is full, move the compressor ON-OFF switch to the ON position.

12. Check operation of the freezing cycle: Very shortly ice begins to form in the cube cells, and tubing becomes frosted at the top of the evaporator plate. Freezing time will be longer than average for the first cycle.. Average complete cycle time is about 14 - 16 minutes.

13. Warm water should begin to flow from the condenser drain.

Note: To optimize the balance between ice production and water use, the water cooled discharge pressure must be 245 P.S.I.G. Check the discharge pressure and adjust the water regulating valve to obtain 245 P.S.I.G. pressure.

14. Check CUBE SIZE

The dimensions of the cubes are fixed by the size and shape of the molds on the evaporator plate, except that the thickness of the cube MAY need to be adjusted at start up. There is only one size of cube that is correct; adjusting the cube size control to that size of cube will allow the ice maker to produce ice at its most efficient size. The correct size cubes will be fully formed at the edges; will harvest off of the evaporators beginning with individual cubes at the top of the evaporator, then vertical strips for the balance; and will appear similar to the illustration for "Correct Size Cube".

INITIAL START UP

Adjust for the correct size if needed:

To produce SMALLER sized ice cubes:

Locate cube size control knob, in the front of the control box. Rotate this knob one eighth of a turn counter clockwise. Observe size of the ice cubes in the next ice cube harvest and adjust again if needed, until the correct ice cube is achieved.

To produce LARGER ice cubes:

Locate cube size control on the front of the control box. Rotate the knob one eighth of a turn clockwise. Observe size of ice cubes in the next cube harvest and adjust again if needed, until correct the ice cube size is achieved.

14. Check Harvest Time. The machine must harvest all cubes before returning to a freeze cycle.

Increase the harvest time if there is less than 15 seconds of harvest time after the last cube has fallen into the bin.

Decrease the harvest time if there is much more than 15 seconds of harvest time after the last cube has fallen into the bin. Note: Harvest time is dependent upon the water and air temperatures at the ice machine. Do not adjust harvest time too short, as this will cause a freeze up .

See the next page for detailed harvest time adjustment instructions.

15. Check ICE BIN LEVEL CONTROL

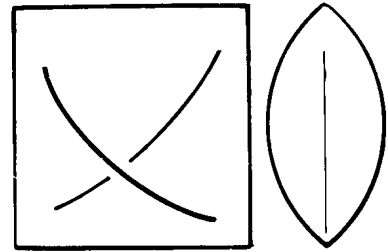
The amount of ice maintained in the bin is adjustable. The normal setting is "full". If the operator desires, the level of ice in the bin may be adjusted lower to shut off the machine when the bin is only partially full.

To Test The Ice Level Setting:

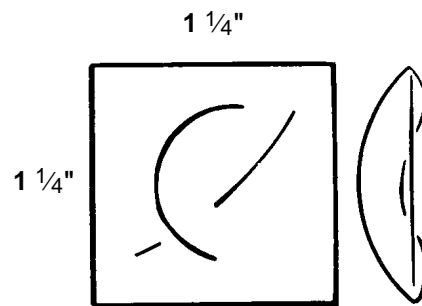
1. Open the bin door and locate on the bottom of the ice machine, the ice level sensor. It's in a socket about 2" in diameter and located left of the evaporator plates.
2. When the machine is running, wait until near the end of a "harvest" cycle.
3. Hold a flat object about the size of this service manual over the ice level sensor socket.
4. The ice machine should turn off at the end of the harvest cycle.
5. Slowly lower the flat object straight down.
6. The ice machine will start again at the point where it will maintain the ice level.

CUBES (ACTUAL SIZE)

TOO THICK

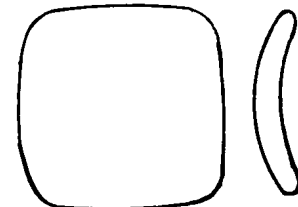


CORRECT SIZE CUBE



Note: Optimum performance will be achieved when the ice machine is adjusted to produce this size and shape of cube. The typical batch weight at this setting is between 8.25 and 9 pounds.

TOO THIN



Adjust Bin Ice Level

1. Locate ice level control knob.
2. Turn knob to the desired position.
3. Replace front panel.
4. To test, wait until the ice machine is near the end of a "harvest" cycle, if there is ice in the bin higher than the position the ice level control is set for, the ice machine will turn OFF at the end of the harvest cycle. If no ice in the bin, test again as described under, "To Test The Ice Level Setting".
16. Replace all panels, the machine is ready for automatic operation.

CME865W & CME1002W

ADJUSTMENT OF THE TIMER & SWITCH ASSEMBLY

One complete revolution of the cam on the timer represents eight minutes. The first part of the cam rotation is the end of the freezing cycle, and the final few minutes is the defrost/harvest cycle. Rotating the shaft of the timer cam Clockwise will put the ice machine into the freeze or harvest cycle, as required in the cleaning instructions.

▲WARNING

Disconnect electrical power supply to icemaker before beginning.

To adjust the timer & switch assembly:

1. Remove front panel.

2. Remove control box cover.

A. To start the HARVEST CYCLE: Slowly rotate the shaft of the timer and switch assembly, clockwise until the actuator arm on the microswitch initiates the harvest cycle. An audible click can be heard, but in a noisy area, look at the cam and switch to observe the event

B. To start the FREEZING CYCLE: Slowly rotate the shaft of the timer and switch assembly clockwise until the actuator arm on the microswitch initiates the freezing cycle.

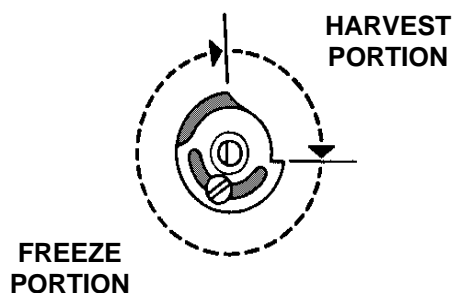
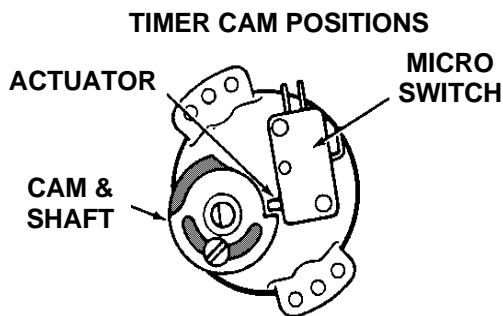
C. To adjust the length of the harvest cycle:

1. Loosen the adjustment screw on the cam and rotate the shaft of the cam to move the cam. More of a gap between the high and low portions will yield more harvest time.

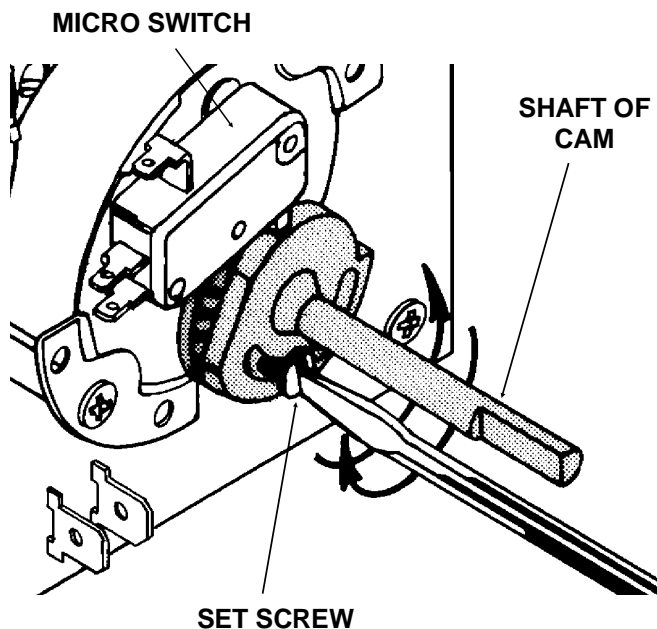
2. Tighten the set screw.

3. Replace the control box cover and front panel.

It is important that the length of the harvest cycle allow enough time for all the ice cubes to fall from the evaporator. Too short of a time will cause the evaporator to freeze up and stop ejecting ice into the bin. Too much time wastes ice making capacity, energy and water. Adjustment of the harvest cycle may require an adjustment of the cube size control.



TIMER ADJUSTMENT



COMPONENT DESCRIPTION

Compressor Contactor

The compressor contactor carries the compressor line current. The contactor is wired so any control in the pilot circuit, such as the bin control, and high pressure controls, etc., will cause the contactor holding coil to be de energized, when the control contact OPENS, thereby breaking the circuit to the compressor.

Cube Size Control

This reverse acting (closes on temperature fall) thermostat determines how long the freezing cycle will be. The cube size control closes it's contacts when the evaporator cools to the set temperature, starting the timer. A variation in heat load (either ambient air or incoming water temperature) will affect the efficiency of the refrigeration system, and that will vary the length of time it takes the evaporators to cool to the temperature at which the cube size control is set to close, which, in turn, will affect the overall cycle time. See CUBE SIZE ADJUSTMENT BEFORE attempting to adjust the control.

Relay

The multi-function, three pole, double throw, relay plugs into a socket on the printed circuit board in the control box. The relay functions in part to by-pass the bin control during the harvest and freeze cycles, preventing the icemaker from shutting off in the middle of a cycle. The bypass action allows only complete freeze and harvest cycles; the only time that the ice maker can shut off on bin control is as the end of the harvest cycle.

Timer - Timer & Switch Assembly

The timer begins to turn when activated by the cube size control. The outer surface, or large diameter lobe of the timer cam, determines the length of time for finish freezing of the ice cubes, while the inner surface, or small diameter lobe, determines length of the harvest cycle. The single-pole, double throw microswitch on the timer controls the power to the plug in relay coil, making it either the freezing or harvest cycle. The microswitch is actuated by a cam assembly directly connected to the timer motor. The timer cam can be adjusted to vary the defrost time, as required. One complete rotation of the cam will take eight minutes. Harvest is preset at 2 and two thirds minutes.

Hot Gas Solenoid Valve

The hot gas solenoid valve opens only during the harvest cycle. When it opens, it diverts the hot discharge gases so that they flow directly into the evaporator plates, by-passing the condenser and thermostatic expansion valve. The hot gases warm the evaporators, releasing the ice cubes from the ice cube molds. The hot gas solenoid valve is installed in a branch of the discharge line, and when the timer switches the ice machine into the harvest cycle, the energized solenoid coil lifts the valve stem within the valve body, allowing the hot discharge gas to be diverted to the evaporators.

High Temperature Cut Out

This temperature sensor is located next to the hot gas valve, on the outlet side.

During normal operation, it does not affect the ice machine, but it will shut the machine off if the hot gas line overheats. It is an automatic reset.

CME865W & CME1002W

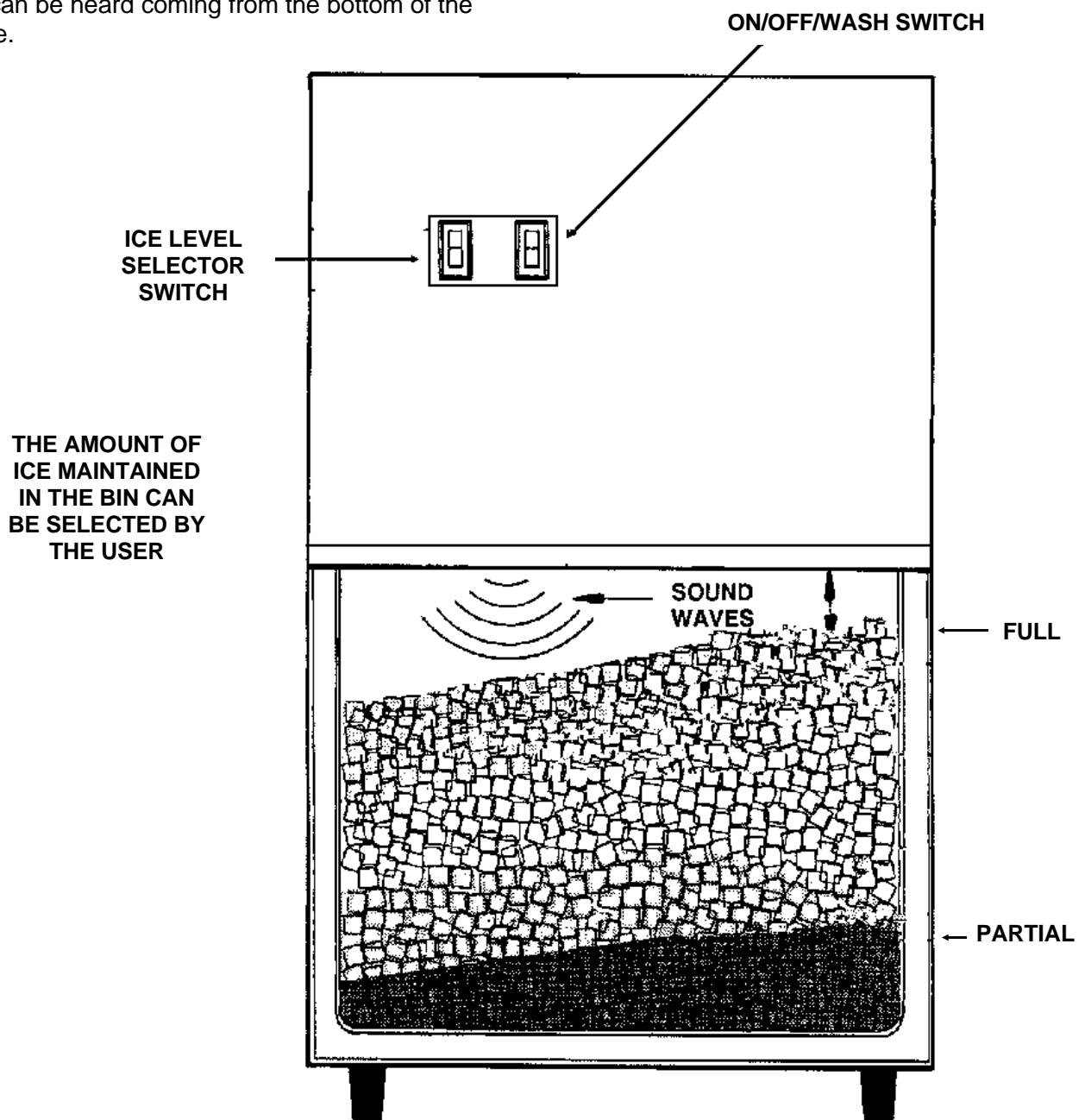
COMPONENT DESCRIPTION

Ice Level Control

This electronic control uses sound waves to measure the distance between the bottom of the ice machine and the top of the ice in the bin. It is designed to control the machine's ice production to maintain that distance.

The control is adjustable so that the ice machine will maintain a certain height of ice. It will not fill any closer to the ice machine than 8", and will not work if the distance to the bottom of the bin is greater than 8 feet.

Because it uses sound waves, a slight "ticking" sound can be heard coming from the bottom of the machine.



COMPONENT DESCRIPTION

Electric Water Inlet Valve

The water inlet solenoid valve fills the reservoir assembly with water. Excess water overflows out the overflow standpipe located at the back of the reservoir. This action fills and rinses the reservoir during each harvest cycle. The flow rate is .75 g.p.m.

Water Distribution System

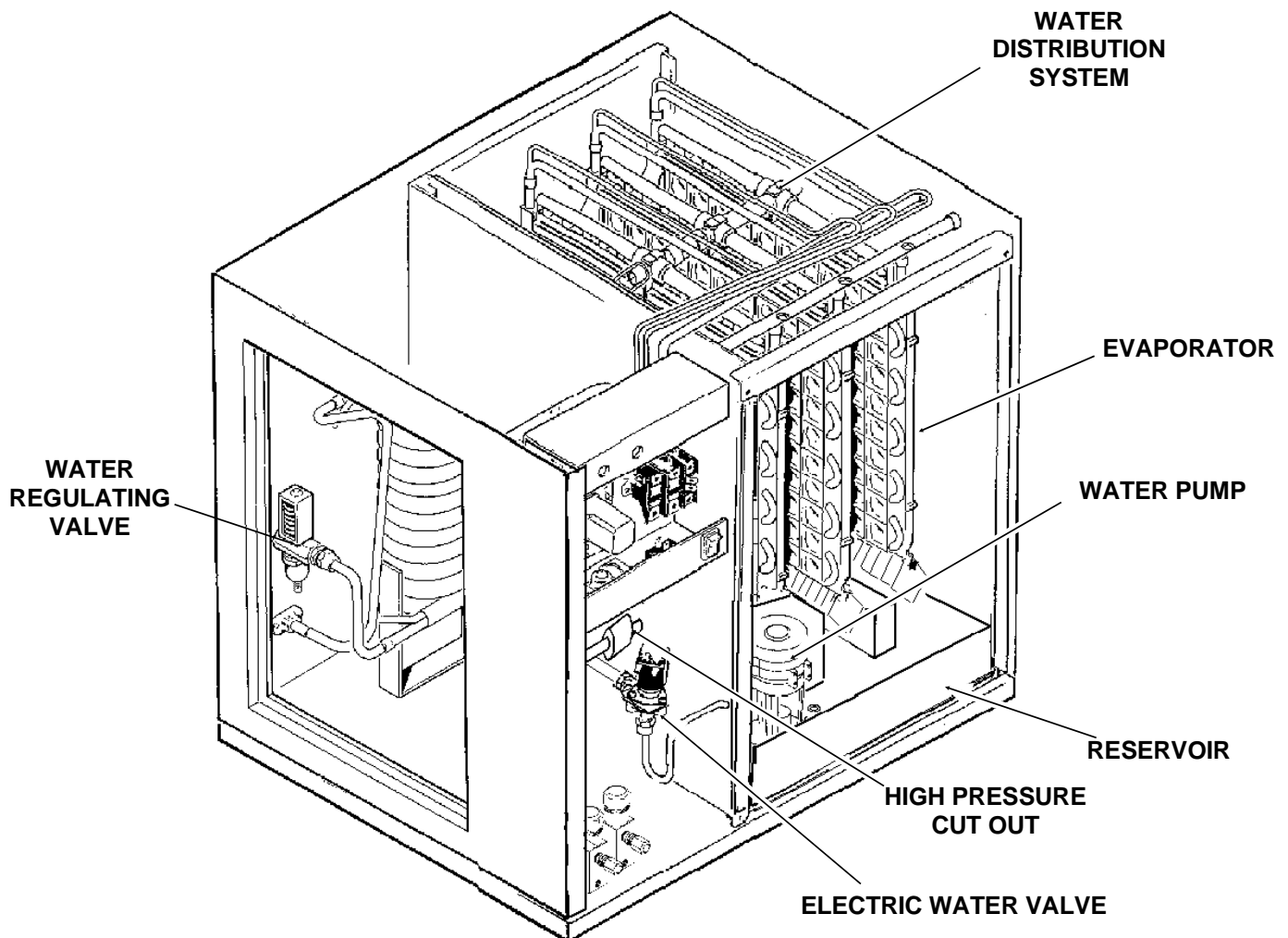
The water distribution system evenly supplies water to all cells of the evaporator plates. The water pump pumps water from the reservoir up the vertical tygon tube to the tee. From there water is channeled through the water manifold to the water distributors, above each evaporator plate, and from six holes within each distributor, water flows to the cells of each side of the evaporator plates. Gravity flow returns the unfrozen excess portion of water to the reservoir for recirculation.

Reservoir

The reservoir, located below the evaporators, stores the inlet water charge, and collects the water that flows over the evaporator plates. Above the reservoir, but below the evaporators are the cube chutes, designed to retain any water splash from ice making or harvest. Most ice will be falling into the bin below the center evaporator.

High Pressure Safety Control

This is a manual reset control that shuts down the icemaker, should the discharge pressure ever reach 400 PSIG.



CME865W & CME1002W

SERVICE SPECIFICATIONS: CME865W

The following numbers may be used as a guideline. There will be some variation from unit to unit. Numbers = (Cabinet/Water).

	70/50	90/70	110/100
Typical Cycle Time	14 - 15 minutes	16 - 17 minutes	23 - 24 minutes
Harvest Time (2 $\frac{2}{3}$ min. standard)	2 $\frac{2}{3}$ minutes needed	2.5 minutes	2 minutes
Typical Freeze Cycle Low Side Pressure (end of cycle)	28 PSIG	29 PSIG	29 PSIG
Typical Freeze Cycle Discharge Pressure (end of cycle)	245 PSIG	245 PSIG	245 PSIG
Typical Harvest Cycle Low Side Pressure (peak)	90 PSIG	100 PSIG	144 PSIG
Typical Harvest Cycle Discharge Pressure (min)	180 PSIG	190 PSIG	215 PSIG

Typical Total Amps

- 5 minutes into freeze: 8.7
- End of harvest: 10.6

Refrigerant Charge

- 36 oz of R-404A

High Pressure Cut Out

- 400

Typical Harvest Ice Weight

- 8.2 - 8.5 lb.

Cube Size Control

- Cut In adjustable between 12.5°F. and 24°F.

CME865W & CME1002W

SERVICE SPECIFICATIONS: CME1002W

The following numbers may be used as a guideline. There will be some variation from unit to unit. Numbers = (Cabinet/Water).

	70/50	90/70	110/100
Typical Cycle Time	13-14 minutes	15 - 16 minutes	21 - 22 minutes
Harvest Time (2 $\frac{2}{3}$ min. standard)	2 $\frac{2}{3}$ minutes needed	2 minutes	2 minutes
Typical Freeze Cycle Low Side Pressure (end of cycle)	24 PSIG	24 PSIG	27 PSIG
Typical Freeze Cycle Discharge Pressure (end of cycle)	245 PSIG	245 PSIG	245 PSIG
Typical Harvest Cycle Low Side Pressure (peak)	86 PSIG	94 PSIG	138 PSIG
Typical Harvest Cycle Discharge Pressure (min)	175 PSIG	190 PSIG	220 PSIG

Typical Total Amps

- 5 minutes into freeze: 9.7
- End of harvest: 12.9

Refrigerant Charge

- 38 oz of R-404A

High Pressure Cut Out

- 400

Typical Harvest Ice Weight

- 8.2 - 8.5 lb.

Cube Size Control

- Cut In adjustable between 12.5°F. and 24°F.

CME865W & CME1002W

CLEANING

A Scotsman Ice System represents a sizable investment of time and money in any company's business. In order to receive the best return for that investment, it MUST receive periodic maintenance. Maintenance and Cleaning should be scheduled at a minimum of twice per year.

CLEANING: ICE MAKER

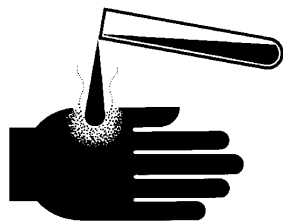
1. Remove front panel.
2. Switch the Wash/Off/Ice switch to OFF.
3. Remove the front liner.
4. Remove and discard all ice from the storage bin.
5. Locate the reservoir drain and drain the reservoir. If the reservoir doesn't drain completely, disconnect the pump hose attached to the water distributors and place the end of the hose in a bucket. Switch the Wash/Off/Ice switch to Wash, and allow the pump to discharge the rest of the water. Reattach the hose to the water distributors.
6. Mix 8 ounces of Scotsman Ice Machine Cleaner with 1 gallon of warm (95⁰F. - 115⁰F.) water and pour into the reservoir until full.

14. Check the next batch of cubes to make sure all of the acid taste is gone.

CAUTION

DO NOT use ice produced from the cleaning solution. Be sure none remains in the bin.

15. Remove and discard all ice from the storage bin, pour hot water into the storage bin to melt the cubes and also clean out the bin drain.
16. The unit is now ready for continued automatic operation.

⚠ WARNING	Scotsman Ice Machine Cleaner contains acids. These compounds may cause burns. If swallowed, DO NOT induce vomiting. Give large amounts of water or milk. Call Physician immediately. In case of external contact, flush with water. KEEP OUT OF THE REACH OF CHILDREN.
	

7. Switch the Wash/Off/Ice switch to "wash". Let the unit operate for 30 minutes, then switch the unit off.
8. Drain the reservoir again (repeat step 5)
9. Switch the machine to "wash" and continue to add fresh water to flush residual cleaner from the system. Switch the Wash/Off/Ice switch off.
10. Sanitize the ice maker and bin, see "Sanitize Water System".
11. Replace the front liner.
12. Switch the Wash/Off/Ice switch back on.
13. Replace the front panel

CLEANING

SANITIZE WATER SYSTEM

1. Remove and discard all ice from the bin.
2. Remove front panel.
3. Drain the reservoir
4. Prepare 2 gallons of an approved sanitizer solution in accordance with the instructions on the package, or use the following instructions for use of household bleach, if it meets local codes:
Mix a sanitizing solution of 1 ounce of household bleach to 2 gallons of water.
5. Pour 1 gallon of the sanitizer into the ice maker reservoir.
6. Move the Wash/Off/Switch switch to "Wash", and allow the solution to circulate for a MINIMUM of 5 minutes.
7. Move the Wash/Off/Switch switch to "Off".
8. Remove the drain plug and drain the reservoir.
9. Using a clean sponge and the remainder of the sanitizer solution, wipe the interior of the evaporator cover and the inside of the storage bin,

taking care to wipe all surfaces that are normally in contact with ice.

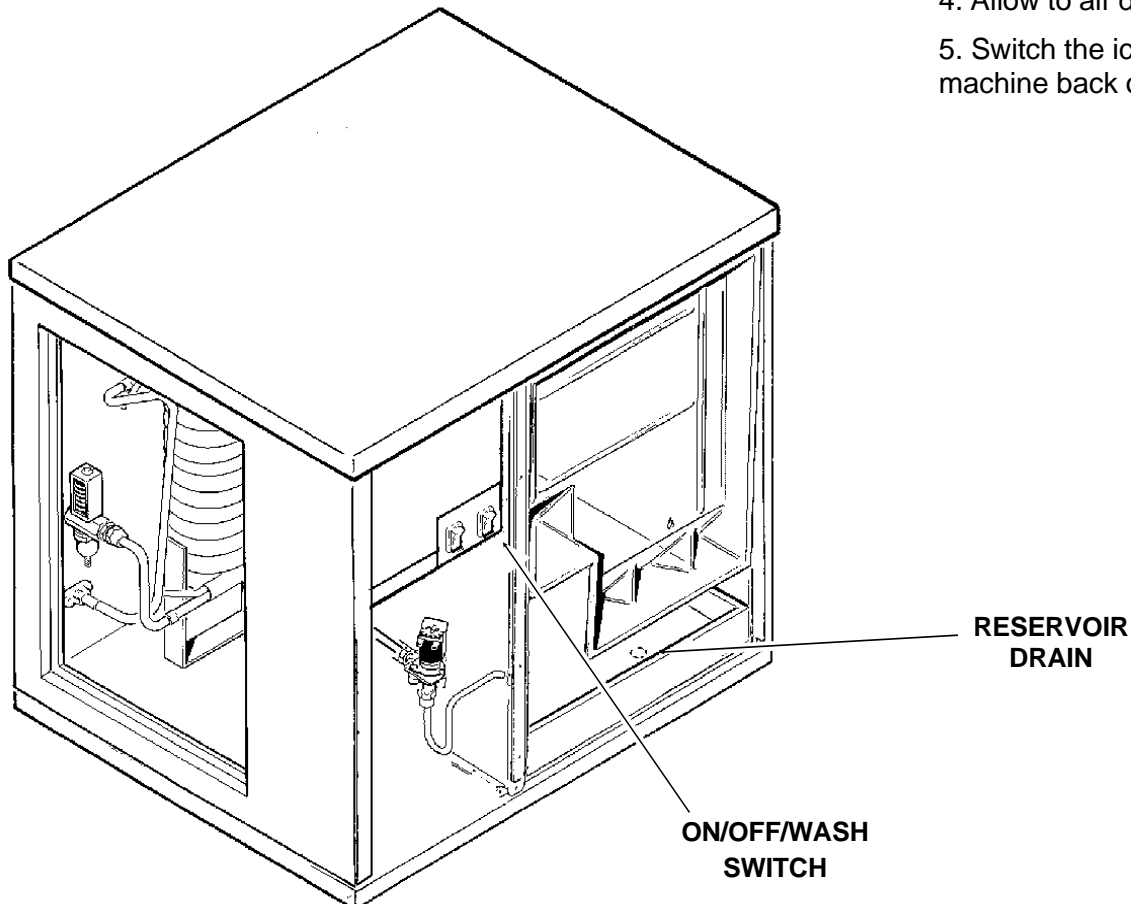
10. Replace the evaporator cover. Replace the front panel.

11. Move the master switch to ON.

SANITIZE ICE STORAGE BIN

This procedure is to be done monthly

1. Remove and discard all ice from the bin.
2. Switch the ice maker off.
2. Prepare 2 gallons of an approved sanitizer solution in accordance with the instructions on the package, or use the following instructions for use of household bleach, if it meets local codes: Mix a sanitizing solution of 1 ounce of household bleach to 2 gallons of water.
3. Using clean rubber gloves and a clean cloth, wipe all interior surfaces of the ice machine and ice storage bin with the sanitizing solution. Immerse any small parts in the sanitizing solution and wash the parts, flushing the solution thoroughly in, over and through all parts and surfaces of the parts being cleaned.
4. Allow to air dry.
5. Switch the ice machine back on.



CME865W & CME1002W

SERVICE DIAGNOSIS

SYMPTOM	POSSIBLE CAUSE	PROBABLE CORRECTION
No ice, machine does not run	1. No electrical power	1. Restore power
	2. Circuit breaker tripped or fuse blown	2. Reset breaker or replace fuse, check for electrical fault.
	3. High pressure control open.	3. Reset HPC, check water supply to water cooled condenser.
	4. ice level control holding machine off	4. Check ice level control circuit.
	5. High temp. cut out open	5. Hot gas valve leaks thru, replace hot gas valve
	6. Timer switch open	6. Replace timer
	7. Master switch open	7. Check or replace switch.
	8. Circuit board open	8. Replace circuit board.
No ice, compressor does not run, rest of ice machine does.	1. Open contactor coil	1. Replace contactor
No ice, no water over evaporators	1. Water pump does not pump	1. Check/replace water pump
	2. No water in reservoir	2. Check/replace water inlet valve.
No ice, everything runs	1. Too much heat load	1. Check for slow leak thru of water inlet valve.
	2. Low on refrigerant	2. Check pressures, if low find/repair leak; weigh in charge.
	3. Suction pressure too high	3. Defective compressor - replace
Low ice production	1. Too much heat load.	1. Check water temperature.
	2. Compressor inefficient.	2. Replace compressor
	3. Non condensable gasses in refrigeration system.	3. Check head pressure or water flow, if very high, and no other reason is suspected, replace refrigerant charge.

CME865W & CME1002W

SERVICE DIAGNOSIS

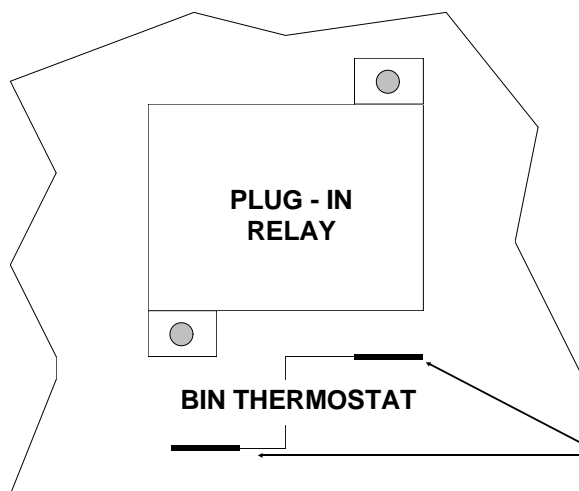
SYMPTOM	POSSIBLE CAUSE	PROBABLE CORRECTION
Low ice production	4. High head pressure, a result of a dirty condenser	4. Clean water circuit of condenser
	5. Hot gas valve leaks thru	5. Replace hot gas valve
	6. High discharge pressure	6. If possible, reduce condenser water inlet temperature.
No ice falling in bin, unit frozen up	1. Cube size control will not close	1. Check temp. of suction line, cube size control will not close if temp. too high. If temp. low enough, replace cube size control
	2. Timer motor open	2. Replace timer
	3. Plug in relay contacts open	3. Replace relay
	4. Not enough time during the harvest cycle to drop all ice	4. Adjust timer for more harvest time
	5. Cube size wrong	5. Adjust cube size
	6. Hot gas valve restricted.	6. Replace hot gas valve.
	7. Not enough water to help harvest.	7. Check for restriction of water supply.
	8. Head pressure too low	8. Check water reg./pressure control valve. Check for low refrigerant charge.
Ice maker stuck in harvest cycle	1. Relay coil open	1. Replace relay
	2. Timer stuck in harvest cycle	2. Check for power to timer motor, if power replace timer, if no power to timer motor, replace relay.
	3. Timer microswitch N.O. contacts will not close.	3. Replace timer.
Ice is mal-formed	1. Shortage of water	1. Check for restriction of water supply. Check for leak.
	2. Evaporator water passages restricted.	2. Clean ice maker.
	3. Cube size set wrong	3. Adjust cube size control
Water overflows from reservoir into bin.	1. Restricted sump drain	1. Repair drain
	2. Inlet water valve lets in too much water	2. Replace valve

CME865W & CME1002W

SERVICE DIAGNOSIS: Ice Level Control Circuit

CONDITION	DETERMINE CAUSE	PROBABLE CORRECTION
Ice Machine does not run, it has power to it, the high pressure control is closed, the on/off switch is set to ON.	A. Listen for a ticking sound from transducer.	If no noise, go to C. If there is a noise, check for a light on the board (models built after 4/93). If there is a light on, check relay contacts N.O. and COM. The contacts should be CLOSED. If closed, go to D. If not, replace the board. If light is off, or prior model, go to B.
	B. Open bin door and twist transducer 1/4 turn and pull out. DO NOT UNPLUG with power connected. Examine the transducer, the inside must be clean and dry.	If the inside of the transducer (above screen) was wet, replace it. Set bin level to FULL and aim at an object about 1-3 feet away. Machine should restart, if not go to D.
	C. Check power to bin level control board.	Should be 12 volts from transformer, if not replace transformer. If there is power go to D.
	D. Disconnect electrical power and test ice machine circuit by attaching a jumper wire between bin thermostat posts on circuit board part no. 12-1912-01 (the circuit board with the timer on it). Reconnect power.	If machine does not start go back to machine circuit. If machine starts, disconnect electrical power, remove jumper wire and reconnect electrical power. Then go to E.
	E. Transducer or ice level board assembly defective.	Replace transducer. Set bin level to FULL and aim at an object about 1-3 feet away. Machine should restart. If this does not repair unit, replace the board.

PARTIAL VIEW OF CIRCUIT BOARD 12-1912-01



⚠️ WARNING

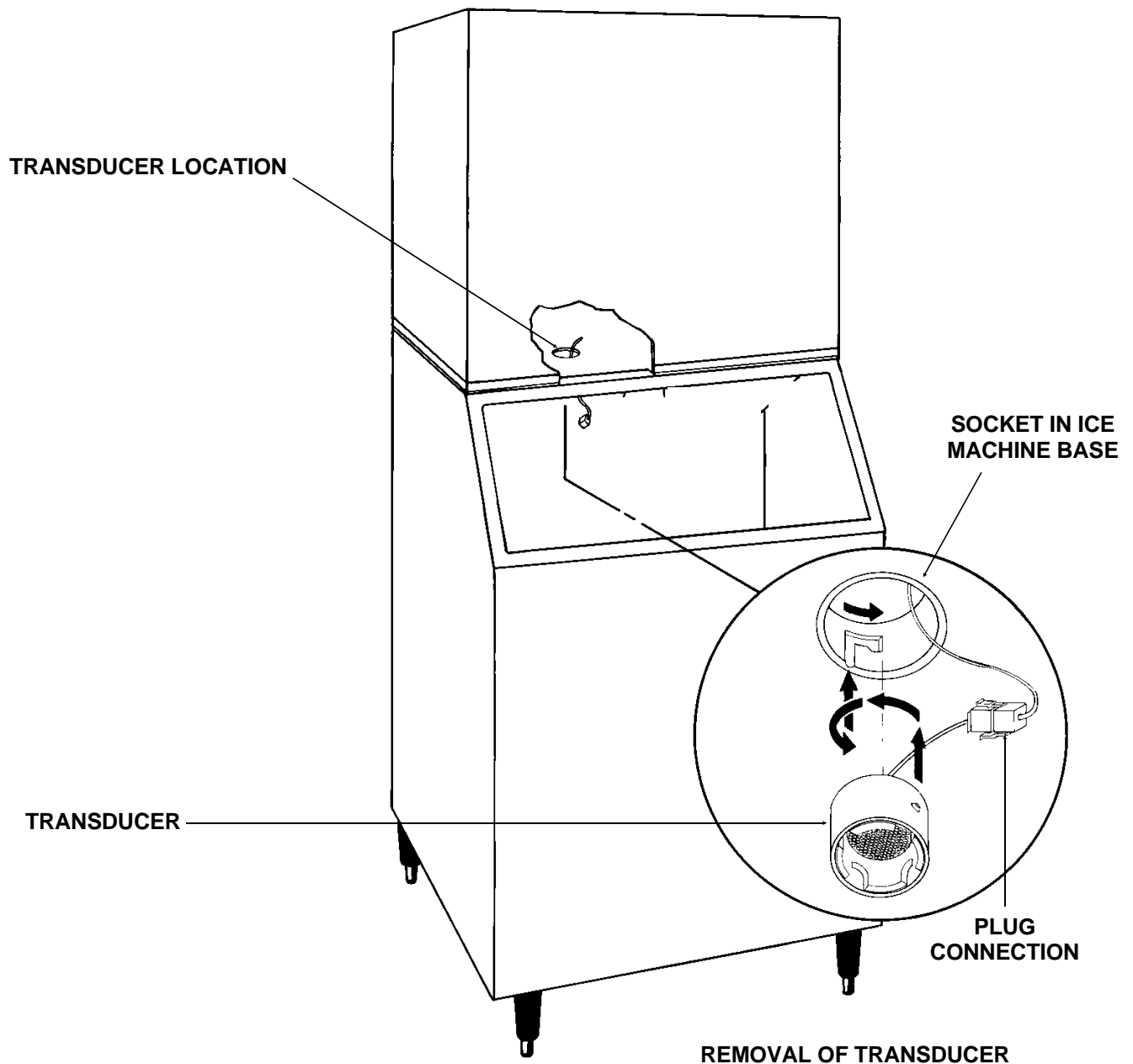
Electrical Shock Hazard Can Cause Personal Injury.
 Disconnect Power Before Servicing.
 Bin Thermostat Posts at Line Voltage.

POSTS MENTIONED IN "D" ABOVE

REMOVAL AND REPLACEMENT

TRANSDUCER

1. Disconnect electrical power BEFORE removing transducer.
2. Open bin door and locate the transducer socket.
3. Twist inner portion of transducer counter-clockwise and push up gently.
4. Pull transducer down until plug connection is accessible.
5. Unplug transducer and remove from the machine.
6. Reverse steps 1-5 to reassemble.



CME865W & CME1002W

REMOVAL AND REPLACEMENT

▲WARNING

Disconnect electrical power supply to icemaker before beginning.

Cube Size Control

To remove the cube size control:

1. Remove front panel.
2. Remove cover from control box.
3. Trace capillary tube, from the cube size control to the refrigerant suction line.
4. Remove the coiled capillary tube bulb from the tube well on the suction line.
5. Remove electrical leads from the cube size control.
6. Remove screws and the cube size control. To replace the cube size control, reverse the removal procedure. Be certain to re-insulate the cube size control bulb.

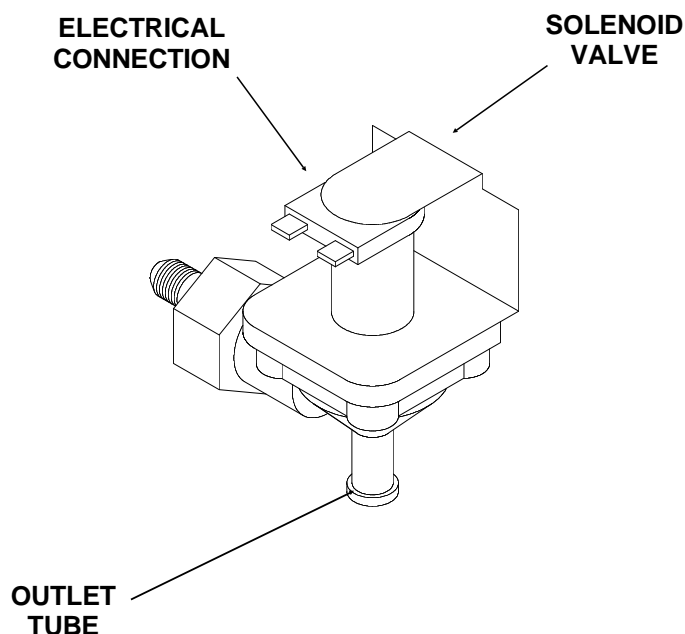
Water Distributor Tubes And Manifold Tubes To remove the water distributor tube and manifold tube:

1. Stainless steel models only: remove two front screws. All models, pull out to unsnap catches and remove the front panel.
2. Remove the evaporator cover.
3. Slide the water distributor tube to the front about 1/8-inch along the top of the evaporator plate, until the water distributor tube can be unsnapped from the flexible notch and lifted upward to the right side.
4. Unsnap and disconnect water distributor tubes from the water manifold section. To replace the water distributor tubes and manifold tubes, reverse the removal procedure. BE SURE the notches in the water manifold tubes properly engage the alignment keys in the tee. BE SURE the water distributor tube is securely fastened at the notch at both sides of the evaporator plate. Check identical attachment for the left water distributor tube and notch; also, that the distributor/manifold connections at the top center of each evaporator plate is snug against the top of the plate.

Inlet Water Solenoid Valve Assembly

To remove the inlet water solenoid valve assembly:

1. Shut OFF water supply to machine.



REMOVAL OF THE INLET WATER VALVE

2. Loosen and remove outlet water line from the inlet water solenoid valve assembly.
3. Remove screws and pull the water solenoid valve out to gain access.
4. Pull electrical cord connection from solenoid coil terminals.
4. Remove inlet water fitting from the water solenoid valve. To replace the inlet water valve assembly, reverse the removal procedures.

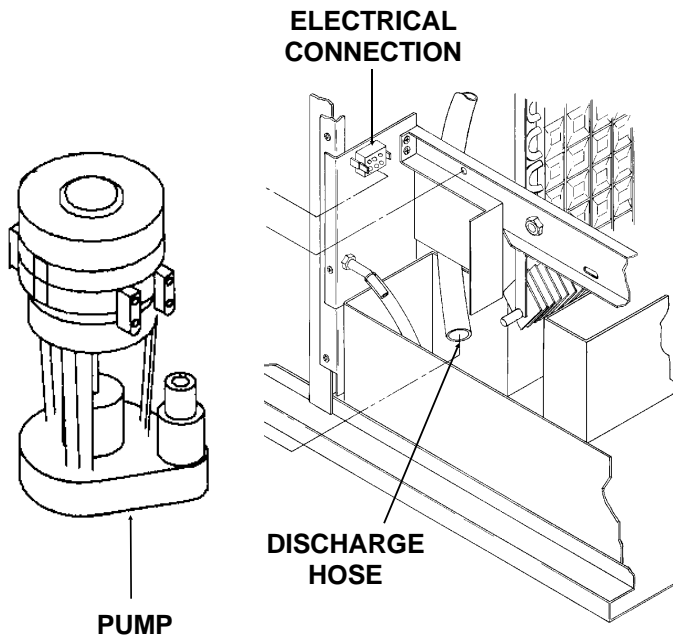
REMOVAL AND REPLACEMENT

▲WARNING

Disconnect electrical power supply to icemaker before beginning.

Water Pump

1. Remove front panel.
2. Remove evaporator cover.
3. Unplug water pump electrical connection.
4. Remove screw retaining pump to cross brace.



REMOVAL OF THE WATER PUMP

5. Pull pump partially out of reservoir and remove discharge hose.
6. Remove two nuts holding pump cover to pump body; separate the two and remove the pump from the icemaker.
7. Reverse to reassemble.
8. Replace all panels.
9. Reconnect electrical power.

Hot Gas Valve

1. Remove the side service panel, and top panel if possible.
2. Discharge and recover the refrigerant from the system.
3. Remove the electrical connections from the coil of the valve.
4. Cut out or unsweat the valve at the tubing connections, remove the valve from the icemaker.
5. Install the new valve, wrap it in wet cloths or other efficient heat sink material.
6. Sweat the tubing connections to the valve.
7. Connect the electrical wires to the terminals of the valve coil.
8. Weigh in the nameplate charge.
9. Replace all panels removed for service.
10. Reconnect electrical power.

Thermostatic Expansion Valve

1. Remove the side service panel, and top panel if possible..
2. Discharge and recover the refrigerant from the system.
3. Locate the TXV sensing bulb on the suction line, unwrap the insulation and remove the bulb from the clamp.
4. Cut out or unsweat the old TXV from the tubing connections.
5. Wrap the new TXV body in wet cloths or other efficient heat sink material.
6. Sweat in the new valve. Do not overheat.
7. Re-attach the TXV bulb to the suction line in the same place as the original. Be certain to re-insulate.
8. Weigh in the nameplate charge.
9. Replace all panels removed for service.
10. Reconnect electrical power.

CME865W & CME1002W

REFRIGERATION SERVICE

This ice machine uses R-404A refrigerant and polyolester oil. Do NOT use mineral oil in this refrigeration system.

- R-404A is a "Near Azeotrope" so liquid charging is required: See the next page.
- When the system is serviced, a special liquid line drier is required. It is included with replacement compressors.
- R-404A (HP62) is not compatible with mineral oil, so these ice machines use Polyolester oil. Polyolester oil absorbs water very easily. When one of these refrigeration systems is opened for service, it must be re-sealed as soon as possible (15 minutes maximum).
- Special leak detection equipment is required to locate small refrigerant leaks. Usually a leak detector capable of detecting a Halogenated refrigerant or HFC-134A will work. Check with the leak detector manufacturer if in doubt.

Access Valves: To use the access valves:

- Remove the cap from the stem, use a 3/16" allen wrench to check that the valve is CLOSED. Then remove the core cap.
- **Close the valve and replace the caps when the job is finished. The valve must be closed and the caps must be on or the valve will leak.**

General Information:

Work on the refrigeration system should only be done when it is certain that the system needs repair.

- **Refrain from checking refrigeration pressures without reason.** Visual inspection of the water system, observation of the ice formation, amp draw, voltage, and other techniques will lead to proper diagnosis.
- If gauges must be used, don't always check the high side pressure. If the condenser is clean and seems to be operating correctly, it most likely is.
- If gauges must be used, use very short hoses to minimize refrigerant discharged into the air.
- Refrigerant should not be added except as a way to determine the proper operation of the product. If the system was low on refrigerant, there is a leak, and it must be found and repaired.
- This system has a critical charge, it must be recharged with the correct amount of refrigerant as listed on the nameplate of the ice machine, or performance will suffer.
- Anytime the refrigeration system has been opened, the dryer should be replaced. **Note: Only a HFC type dryer can be used.**
- When brazing the tubing connections to components such as the TXV, the component must be protected by heat sink material.

Recover, reclaim or recycle refrigerant. The method chosen is up to the service company. Any refrigerant placed into a Scotsman ice machine must meet ARI spec 700-88. Reclaim programs are available through most refrigerant wholesalers.

Pressure-Temperature Chart for R-404A

TEMP. (DEG F)	VAPOR		
	PRES. (PSIG)	TEMP. (DEG F)	PRES. (PSIG)
-20	17	70	146
-18	18	72	150
-16	20	74	155
-14	21	76	161
-12	23	78	166
-10	24	80	171
-8	26	82	177
-6	28	84	182
-4	29	86	188
-2	31	88	194
0	33	90	200
2	35	92	206
4	37	94	212
6	39	96	219
8	41	98	225
10	43	100	232
12	46	102	239
14	48	104	246
16	50	106	253
18	53	108	260
20	55	110	268
22	58	112	275
24	60	114	283
26	63	116	291
28	66	118	299
30	69	120	307
32	72	122	316
34	75	124	324
36	78	126	333
38	81	128	342
40	85	130	351
42	88	132	360
44	91	134	370
46	95	136	379
48	99	138	389
50	102	140	399
52	106	142	409
54	110	144	420
56	114	146	430
58	118	148	441
60	123	150	452
62	127	152	464
64	132	154	475
66	136	156	487
68	141	158	499

LIQUID CHARGING

Instructions for R-404A

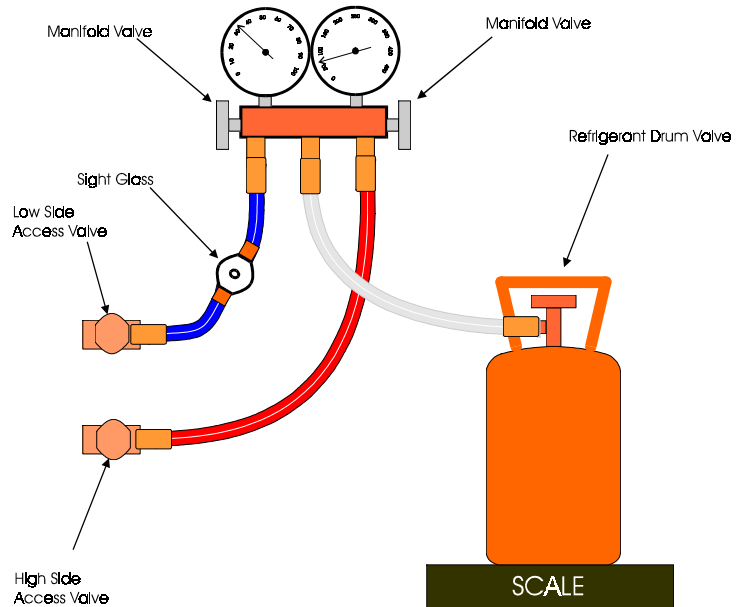
In preparation for charging, the low side hose should have a sight glass, and/or a restrictor device (such as a "Charge Faster") installed in it for metering liquid into the low side of the system.

1. After a thorough evacuation to at least 200 microns, shut off the manifold valves and switch off the vacuum pump.
2. Place a drum of R-404A onto an electronic scale.
3. Attach the charging hose to the drum.
4. Open the valve on the drum and purge the charging hose.
5. Zero out the scale.
6. Shut the low side access valve at the ice machine.
7. Open the discharge manifold valve full open.
8. Watch the scale, when the correct charge is shown, shut the manifold valve.

Note: If all of the charge will not "go in" the discharge side:

- A. Shut the discharge access valve at the ice machine.
- B. Switch the machine on.
- C. Open the low side access valve at the ice machine.
- D. Open the low side manifold valve and observe the sight glass to be certain that only gas is flowing into the system.
- E. When the proper charge is indicated on the scale, shut off the manifold valve(s).

9. Shut off the valve on the refrigerant drum.
10. Re-open the manifold valves until all liquid has flowed out of the hoses.
11. Shut the low side access valve on the ice machine.
12. Remove hoses from ice machine and replace all caps.



Hose Connection Schematic for Liquid Charging

