

Eclipse 600, 800, 1000 Service Parts

This part list contains the service parts for the Eclipse 600, 800 and 1000 systems.

The models that are covered include:

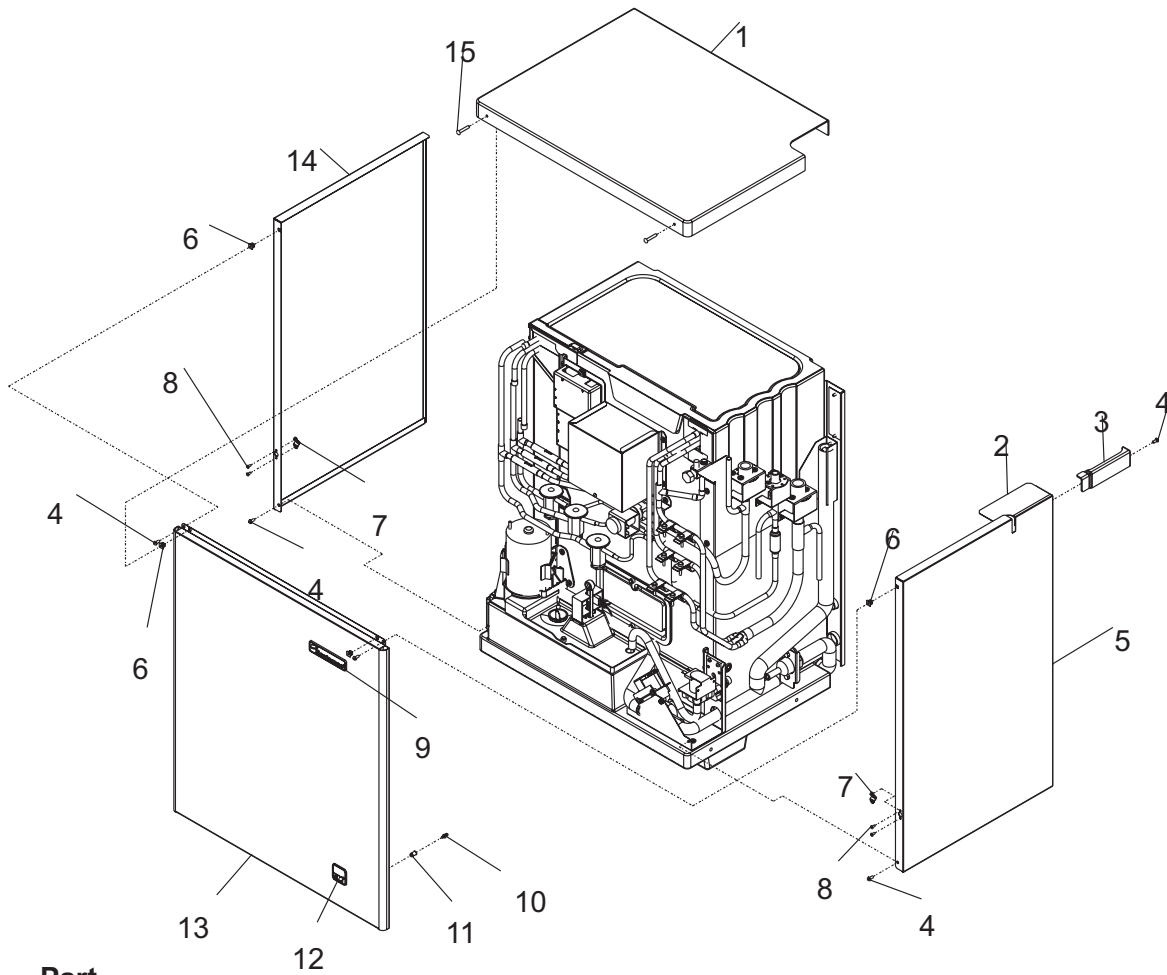
- CME686
- CME810
- CP686
- CP886
- CP1086
- ERC680
- ERC1086
- ER2C6810

Table of Contents

CME686 and CME810 Cabinet	Page 2
CME686 and CME810 Interior Parts	Page 3
CME686 and CME810 Water and Control Systems	Page 4
CME686 and CME810 Water Valves & Sensor	Page 5
CME686 and CME810 Refrigeration	Page 6
CME686 and CME810 Electrical	Page 7
CP686, CP886 and CP1086 Cabinet	Page 8
CP686, CP886 and CP1086 Refrigeration Systems	Page 9
Compressors	Page 10
CP686, CP886 and CP1086 Control Box	Page 11
Remote Condensers	Page 12
CME686 and CME810 Schematic Diagram	Page 13
CME686 and CME810 Wiring Diagram	Page 14
CP686, CP886 and CP1086 Single Phase Schematic Diagram	Page 15
CP686, CP886 and CP1086 Single Phase Wiring Diagram	Page 16
CP686, CP886 and CP1086 Three Phase Wiring Diagram	Page 17
CP686, CP886 and CP1086 Three Phase Schematic Diagram	Page 18

Eclipse 600, 800, 1000 Service Parts

CME686 and CME810 Cabinet

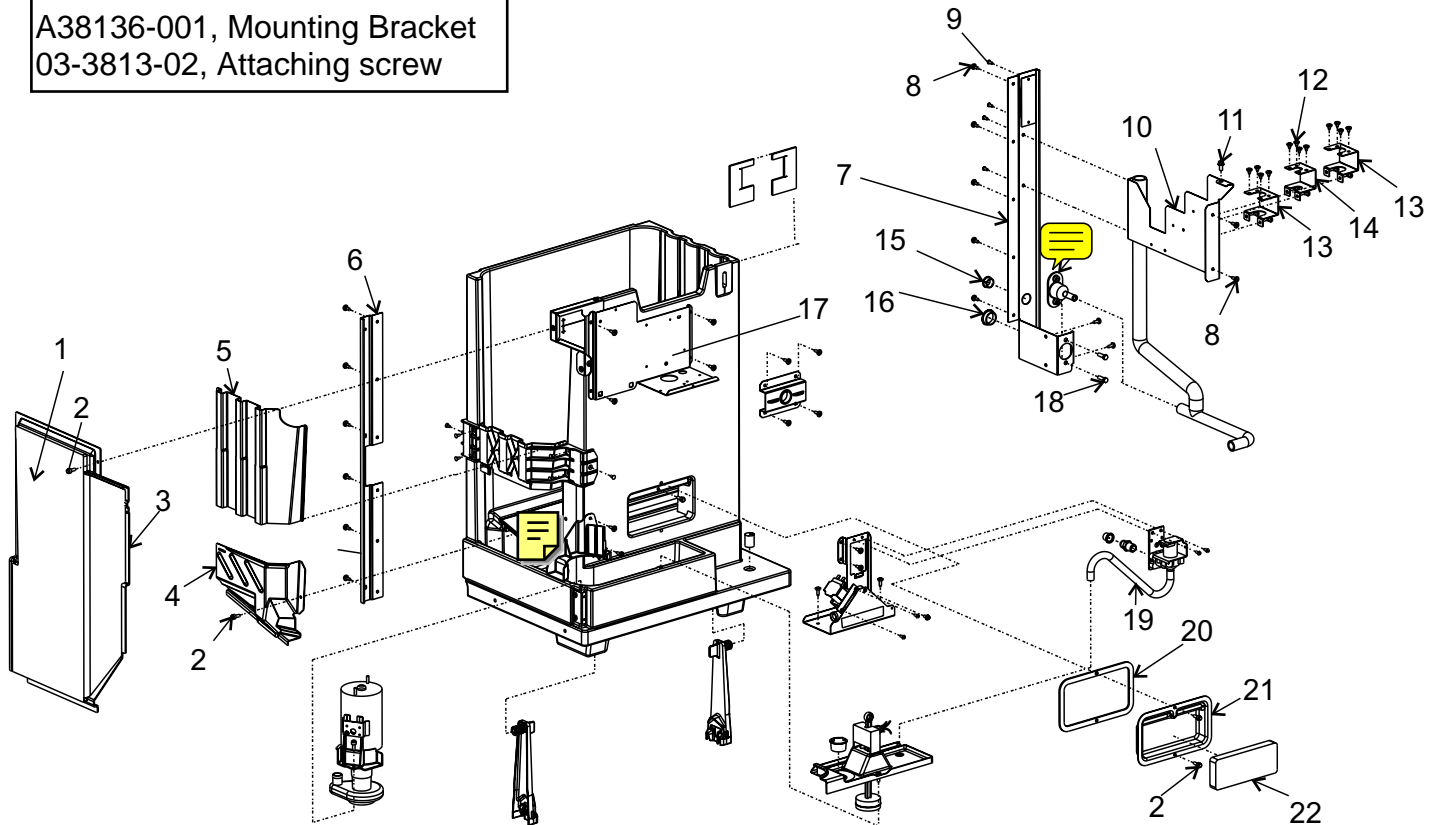


Item Number	Part Number	Description
1	02-3894-31	Top panel
2	A38101-001	Cover plate
3	02-3894-33	Plastic edge
4	03-1531-01	Screw
5	A37940-022	Right side panel
6	03-3804-01	Speed nut
7	03-1733-02	Catch
8	no number	Rivet
9	15-0809-01	Emblem
10	03-1733-01	Strike
11	03-1734-01	Insert
12	15-0811-01	Emblem, CM3
13	A37944-020	Front panel
14	A37940-021	Left side panel
15	03-1735-03	Screw

Eclipse 600, 800, 1000 Service Parts

CME686 and CME810 Interior Parts

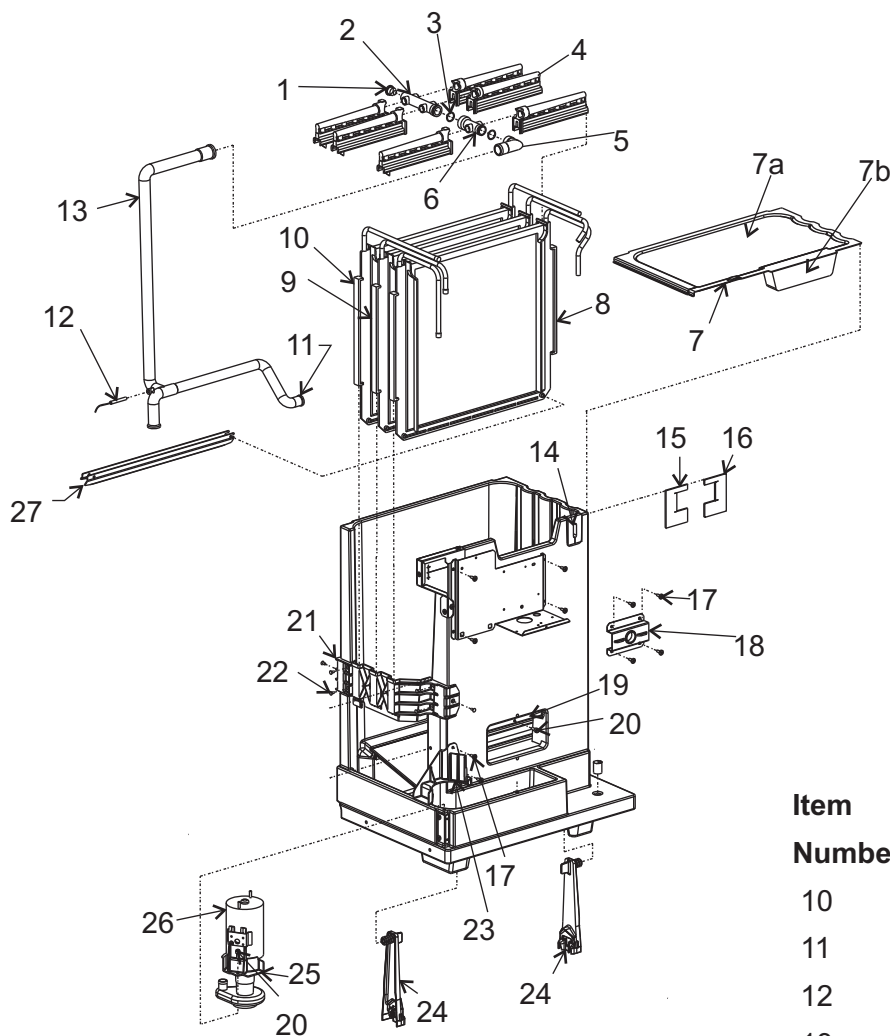
A38136-001, Mounting Bracket
03-3813-02, Attaching screw



Item Number	Part Number	Description	Item Number	Part Number	Description
1	02-3896-04	Insulation for item 3	14	A37966-002	Bracket
2	03-1691-01	Nylon screw	15	12-1213-10	Snap bushing
3	02-3893-01	Inner side panel	16	02-1875-13	Hole plug
4	02-3884-01	End deflector	17	A37923-001	Control bracket
5	02-3882-01	Top end cover		A37924-001	Cover for item 17
6	A37927-001	Back Channel	18	03-0571-01	Screw
7	A37925-001	Back panel	19	02-3886-01	Inlet tube
8	03-1404-18	Screw	20	02-3896-01	Seal
9	03-1531-01	Screw	21	02-3883-01	Cover
10	A37965-001	Bracket	22	02-3896-02	Insulation for item 21
11	03-1645-01	Screw			
12	03-1404-15	Screw			
13	A37966-001	Bracket			

Eclipse 600, 800, 1000 Service Parts

CME686 and CME810 Water and Control Systems

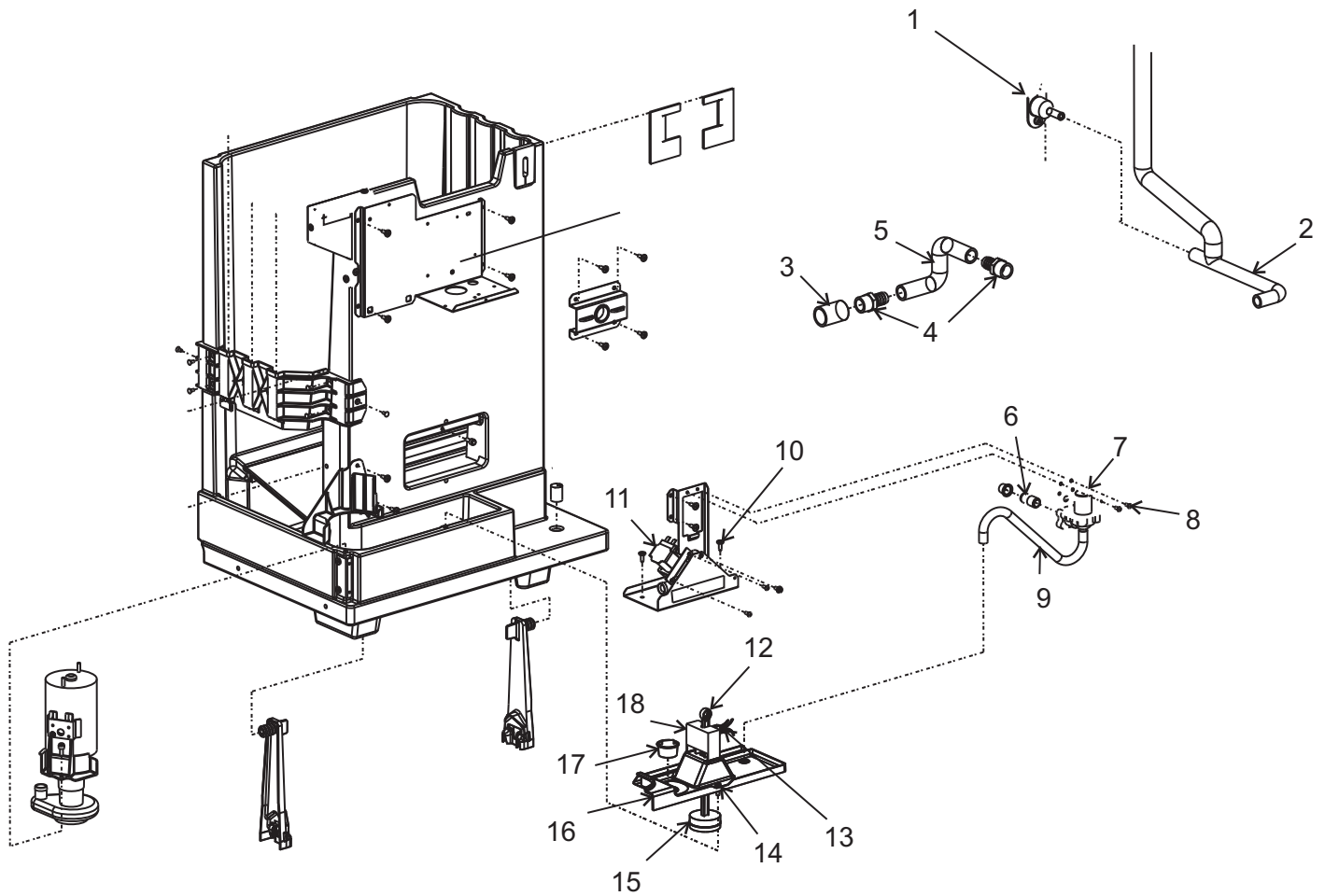


Item Number	Part Number	Description
1	13-0840-01	Rubber plug
2	02-3518-01	Manifold
3	13-0617-48	O-ring
4	02-2527-01	Distributor
5	02-3613-01	Elbow
6	02-3519-01	Manifold fitting -
7	02-3912-01	Cover
7a	02-3896-06	Insulation for item 7
7b	02-3896-03	Insulation for item 7
8	A38010-021	Front evap.
9	A38010-022	Middle evap

Item Number	Part Number	Description
10	A38010-023	Back evaporator
11	02-2814-09	Hose clamp
12	11-0545-21	Temp sensor set
13	02-3888-01	Pump hose
14	02-3779-01	Grommet
15	02-3779-02	Seal
16	02-3779-03	Seal
17	03-1404-18	Screw
18	A37968-001	Valve bracket
19	02-3899-01	Cascading shield
20	03-1691-01	Nylon thumb screw
21	02-3892-01	Evaporator support
22	03-1418-30	Screw
23	02-3891-01	Back pump bracket
24	11-0540-22	Ice sensor set
25	02-3890-01	Front pump bracket
26	12-2714-22	Water pump, 115/60/1
27	02-3824-01	Water trough

Eclipse 600, 800, 1000 Service Parts

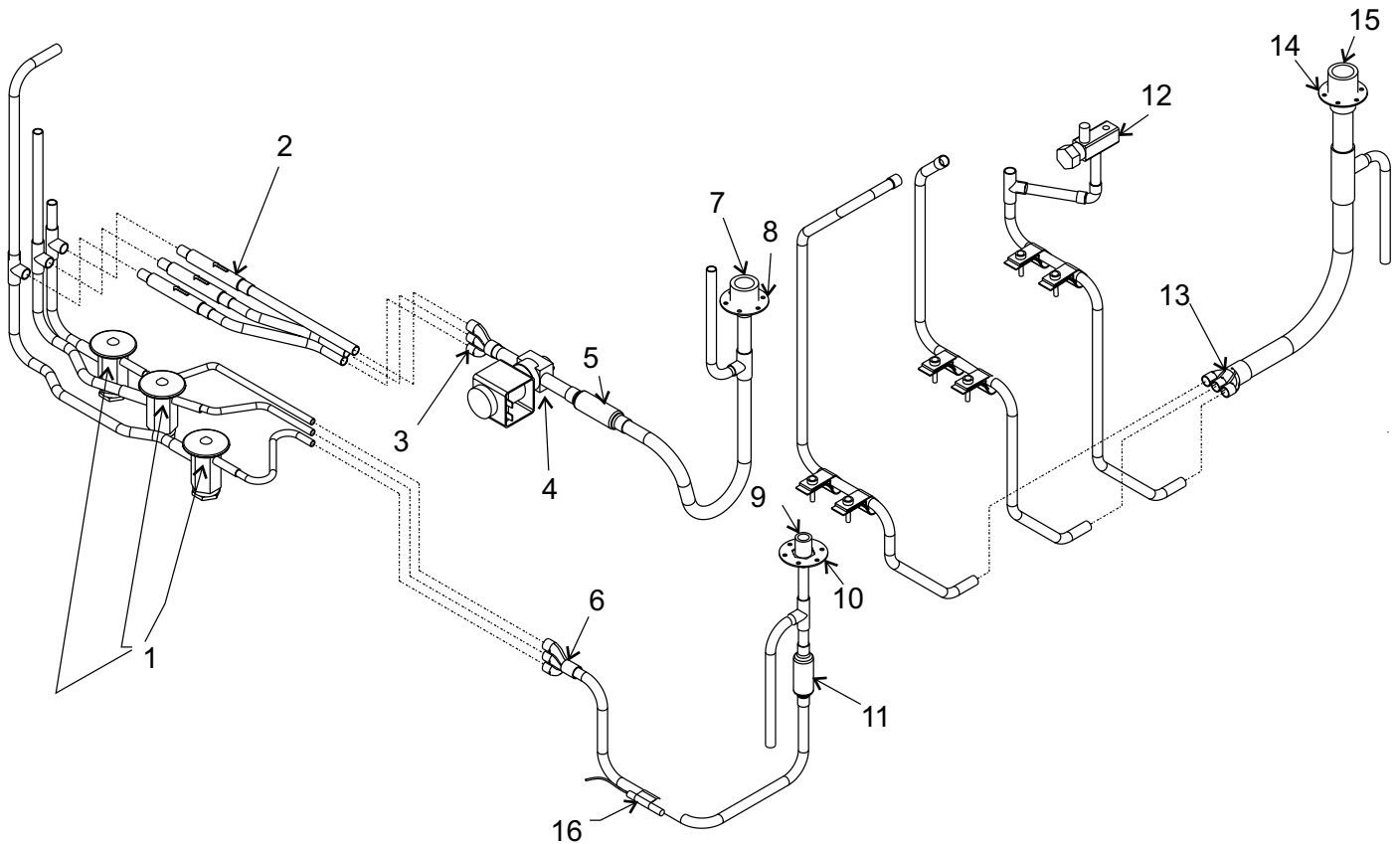
CME686 and CME810 Water Valves & Sensor



Item Number	Part Number	Description	Item Number	Part Number	Description
1	02-3692-21	Drain fitting	12	02-3777-02	Float stem for CME686
2	02-3887-01	Drain tube		02-3777-04	Float stem for CME810
3	16-1099-02	PVC adapter, ¾ Female	13	12-2665-01	Harness for sensor
4	16-1099-01	Barbed adapter	14	03-1691-01	Nylon thumb screw
5	02-3914-01	Drain tube for left	15	02-3341-01	Float
	02-3914-02	Drain tube for right	16	02-3889-01	Sump cover
6	16-0355-00	Coupling half	17	02-3703-01	Plug
7	12-2548-01	Inlet water solenoid valve	18	11-0539-51	Water level sensor
8	03-1531-01	Screw			
9	02-3886-01	Inlet tube			
10	03-1404-18	Screw			
11	11-0514-02	Purge valve			

Eclipse 600, 800, 1000 Service Parts

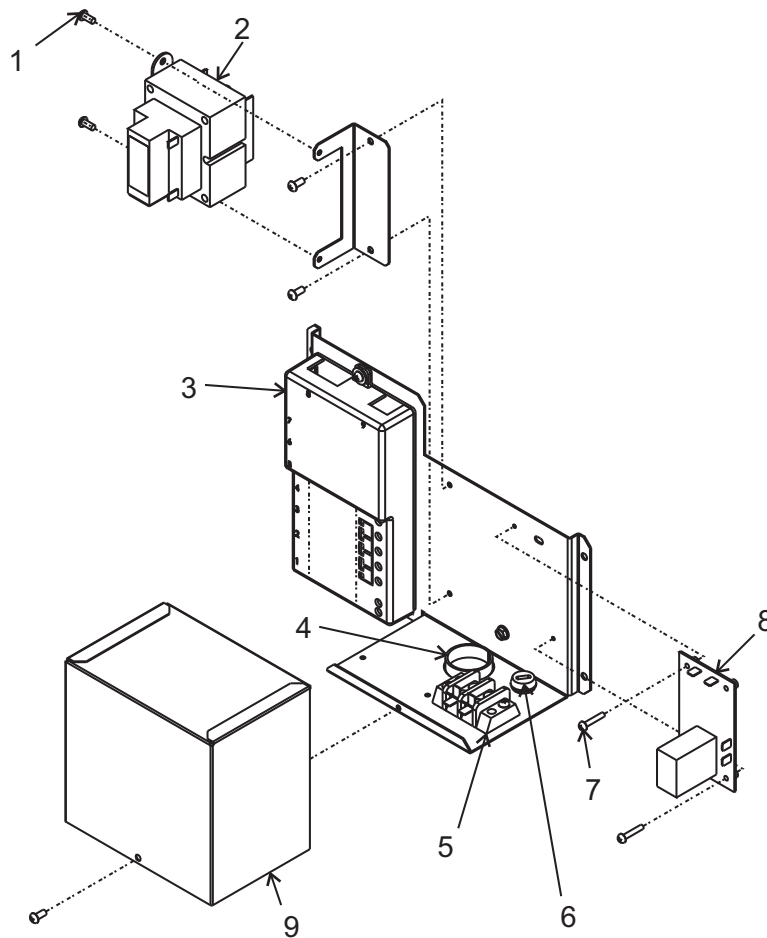
CME686 and CME810 Refrigeration



Item Number	Part Number	Description	Item Number	Part Number	Description
1	16-1009-22	Thermo Expansion Valve	11	16-1063-01	Strainer
	02-3792-01	Insulation for item 1	12	16-0832-20	Access valve
2	16-1071-01	Check valve	13	16-1047-02	Manifold,
3	16-1047-04	Manifold	14	16-0701-18	Flange
4	12-2471-22	CME686 vapor inlet valve	15	16-0850-04	Suction connection
	11-0507-03	CME810 Vapor inlet valve	16	11-0545-21	Temp sensor set
5	16-1063-03	Strainer		03-1711-01	Sensor clip
6	16-1047-03	Manifold			
7	16-0850-01	Vapor connection			
8	16-0701-14	Flange			
9	16-0850-03	Liquid connection			
10	16-0701-07	Flange			

Eclipse 600, 800, 1000 Service Parts

CME686 and CME810 Electrical



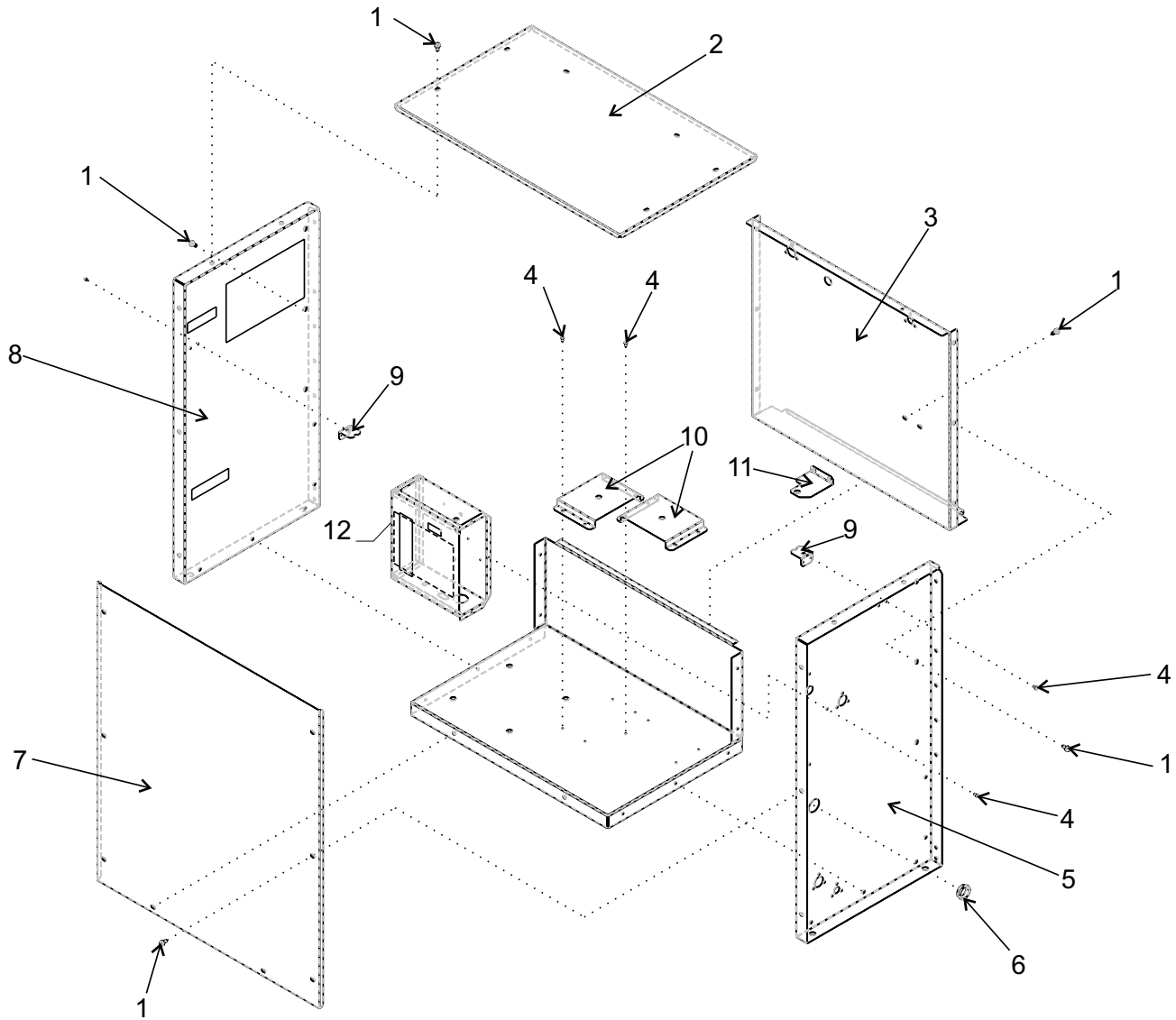
Item Number	Part Number	Description
1	03-1531-01	Screw
2	12-2860-01	Transformer
3	12-2838-23	Controller
4	12-1213-10	Snap bushing
5	12-2780-01	Terminal block
6	12-0629-08	Strain relief
7	03-1638-01	Screw
8	11-0531-21	Drain valve timer
9	A37924-001	Control box cover

Not illustrated:

10	12-1638-19	Power cord
11	12-2855-01	Hi voltage harness
12	12-2854-01	Lo voltage harness

Eclipse 600, 800, 1000 Service Parts

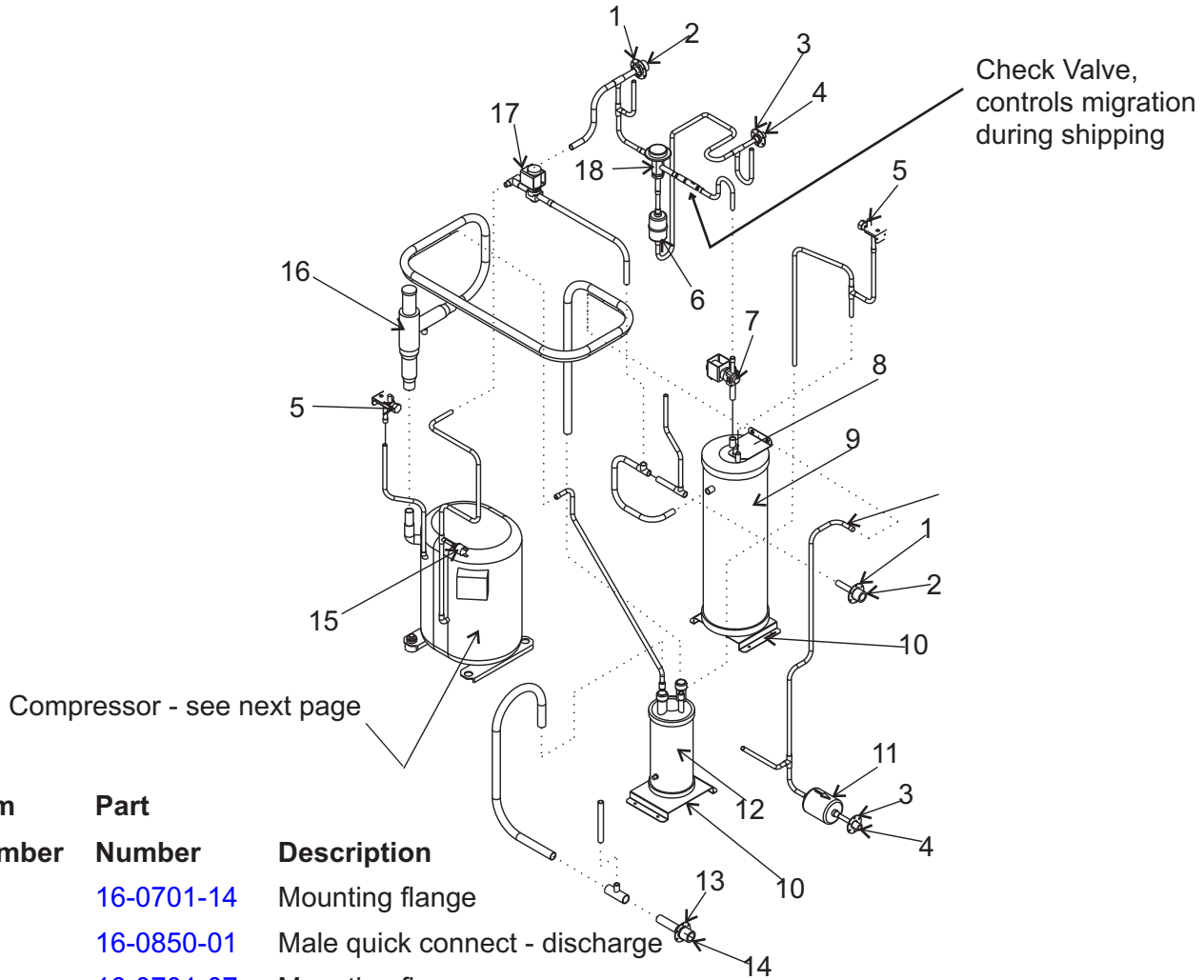
CP686, CP886 and CP1086 Cabinet



Item Number	Part Number	Description	Item Number	Part Number	Description
1	02-1645-01	Screw	10	A37948-001	Receiver or accumulator bracket
2	A37853-001	Top cover	11	A37949-001	Receiver top bracket
3	A37845-001	Back panel	12	A37826-001	Control box cover
4	03-1531-01	Screw			
5	A37829-001	Right side panel			
6	12-1213-20	Snap bushing			
7	A37896-001	Front cover			
8	A37829-002	Left side panel			
9	A37962-001	Service valve bracket			

Eclipse 600, 800, 1000 Service Parts

CP686, CP886 and CP1086 Refrigeration Systems



Item Number	Part Number	Description
1	16-0701-14	Mounting flange
2	16-0850-01	Male quick connect - discharge
3	16-0701-07	Mounting flange
4	16-0850-03	Male quick connect - liquid
5	16-0832-20	Access valve
6	02-3231-02	Filter
7	11-0546-21	Liquid inlet valve (N.O.)
8	A37949-001	Top bracket
9	16-1085-01	Receiver
10	A37948-001	Bottom bracket
11	02-3319-02	Filter dryer
12	16-1157-21	Suction accumulator
13	16-0701-18	Mounting flange
14	16-0850-04	Male quick connect - suction
15	11-0501-22	Hi press cut out
16	16-1096-22	CPR valve
17	11-0507-03	By pass solenoid valve
18	16-1044-01	Headmaster

Eclipse 600, 800, 1000 Service Parts

Compressors

Compressor - see table below

CP Model	Phase	Part Number
CP686-32	single	18-8768-22
CP686-2	three	18-8768-24
CP886-32	single	18-8726-23
CP886-3	three	18-8726-25
CP1086-32	single	18-8750-22
CP1086-3	three	18-8750-24

All compressors are 208-230 volt, 60 Hz.

Single phase compressors include starting components.

All include a drier.

18-8726 & 18-8750 types include crankcase heaters

- [18-2308-01](#) Internal crankcase heater for 18-8726 and 18-8750 type (CS)
- [12-3043-03](#) External crankcase heater for 18-8726 and 18-8750 type (CS starting 2012)
- [12-1868-02](#) Crankcase heater for 18-8768 type

Mounting parts for 18-8726 and 18-8750 type compressors:

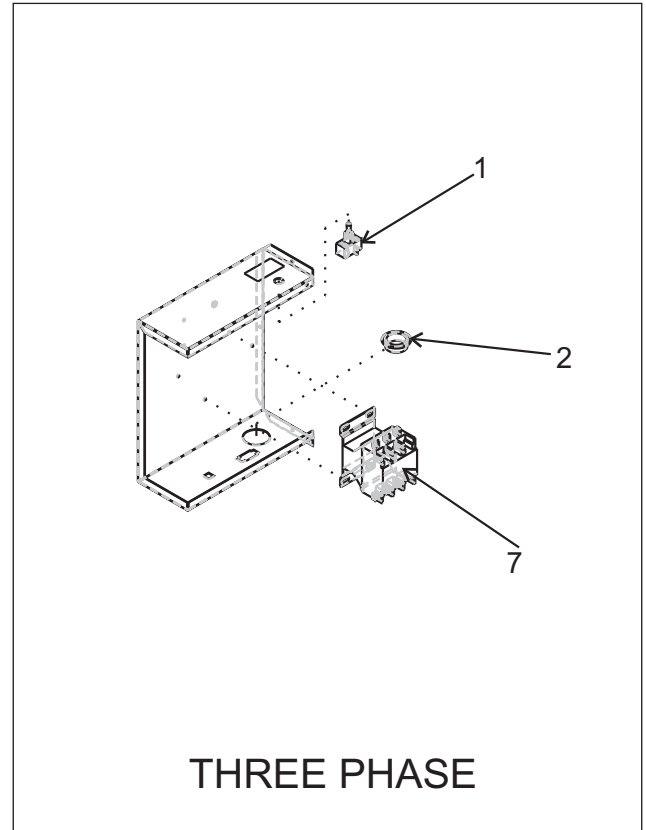
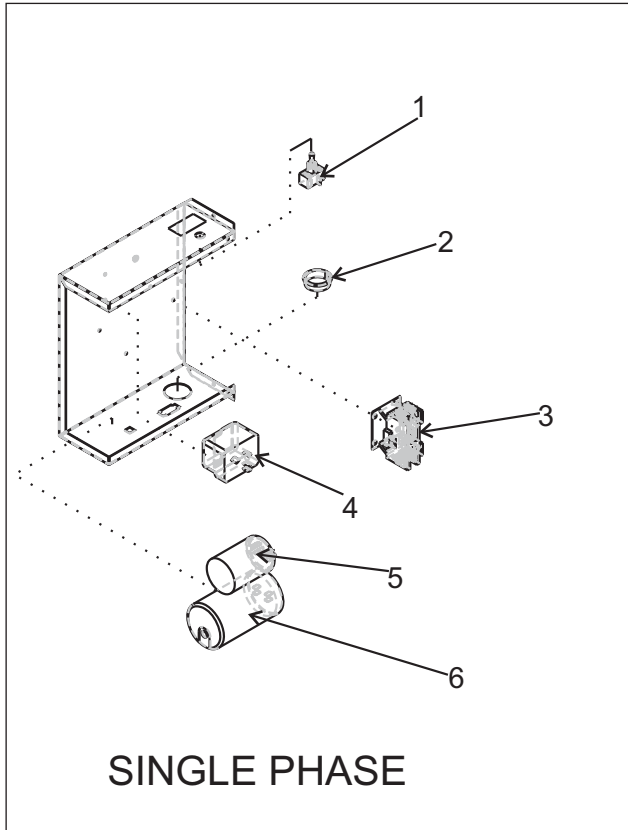
- [18-2300-27](#) Mounting grommet
- [18-2300-26](#) Sleeve
- 03-1406-07 Washer
- [03-1404-15](#) Cap screw

Parts Shipped in CP unit:

- [12-2865-01](#) 75' Interconnecting harness

Eclipse 600, 800, 1000 Service Parts

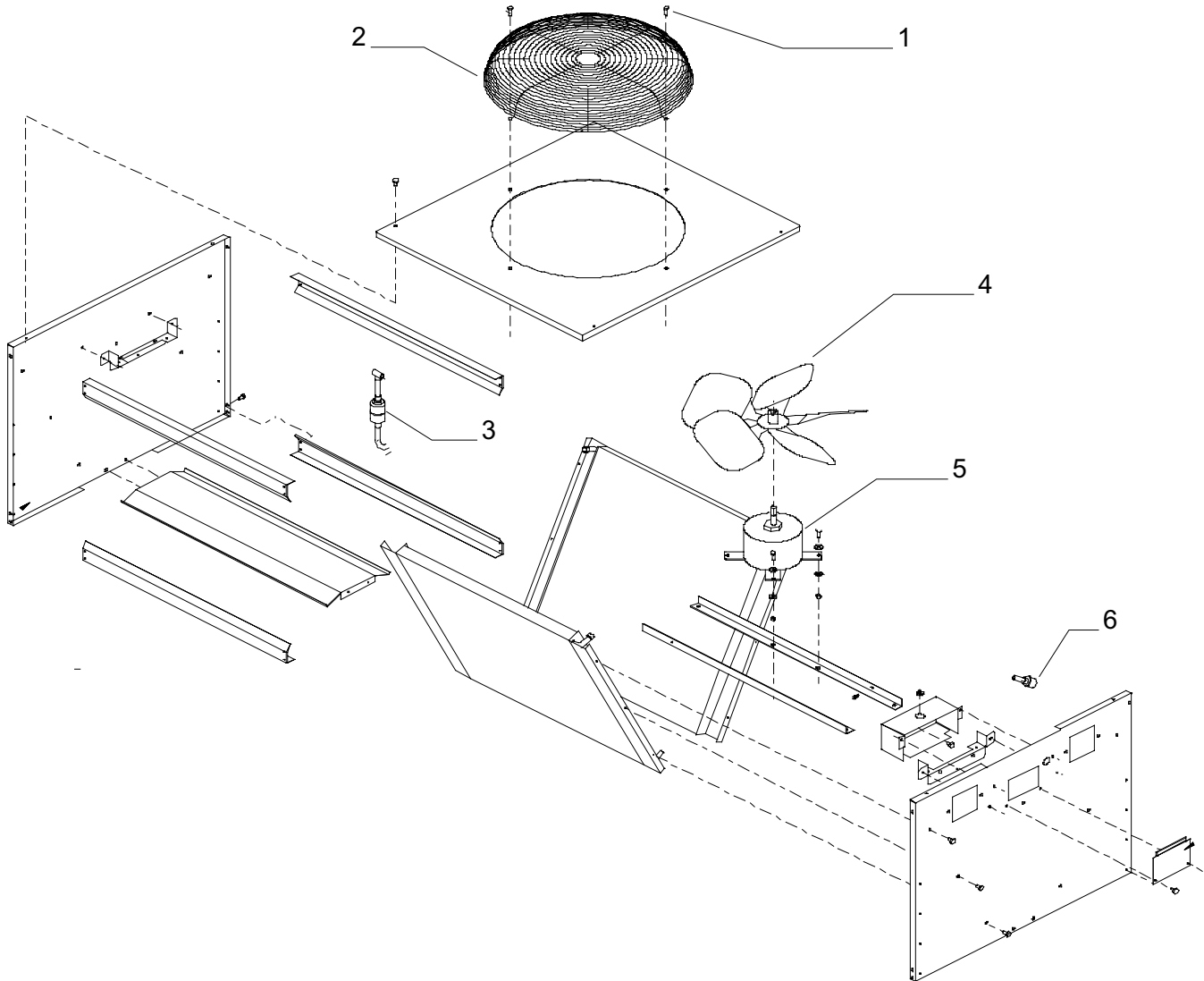
CP686, CP886 and CP1086 Control Box



Item Number	Part Number	Description
1	12-2637-01	Toggle switch
2	12-1213-20	Snap bushing
3	12-2469-01	Single phase contactor
4	18-1903-33	Potential relay for CP686
	18-1903-33	Potential relay for CP886
	18-1903-46	Potential relay for CP1086
5	18-1902-45	Run capacitor for CP686
	18-1902-53	Run capacitor for CP886
	18-1902-55	Run capacitor for CP1086
6	18-1901-54	Start capacitor for CP686
	18-1901-15	Start capacitor for CP886
	18-1901-48	Start capacitor for CP1086
7	12-2533-01	Three phase contactor

Eclipse 600, 800, 1000 Service Parts

Remote Condensers



Models ERC680, ERC1086

Item Number	Part Number	Description
1	03-1405-08	Screw
2	02-3575-01	Fan guard
3	02-3231-03	Filter
4	18-8816-01	Fan blade
5	12-2651-01	Fan motor
6	16-1057-04	Quick connect, discharge
	16-1057-03	Quick connect, liquid

Not Shown:

A37169-001	Leg
A37170-001	Leg brace
03-1645-01	Screw for legs

Model ER2C6810 (two circuit condenser)

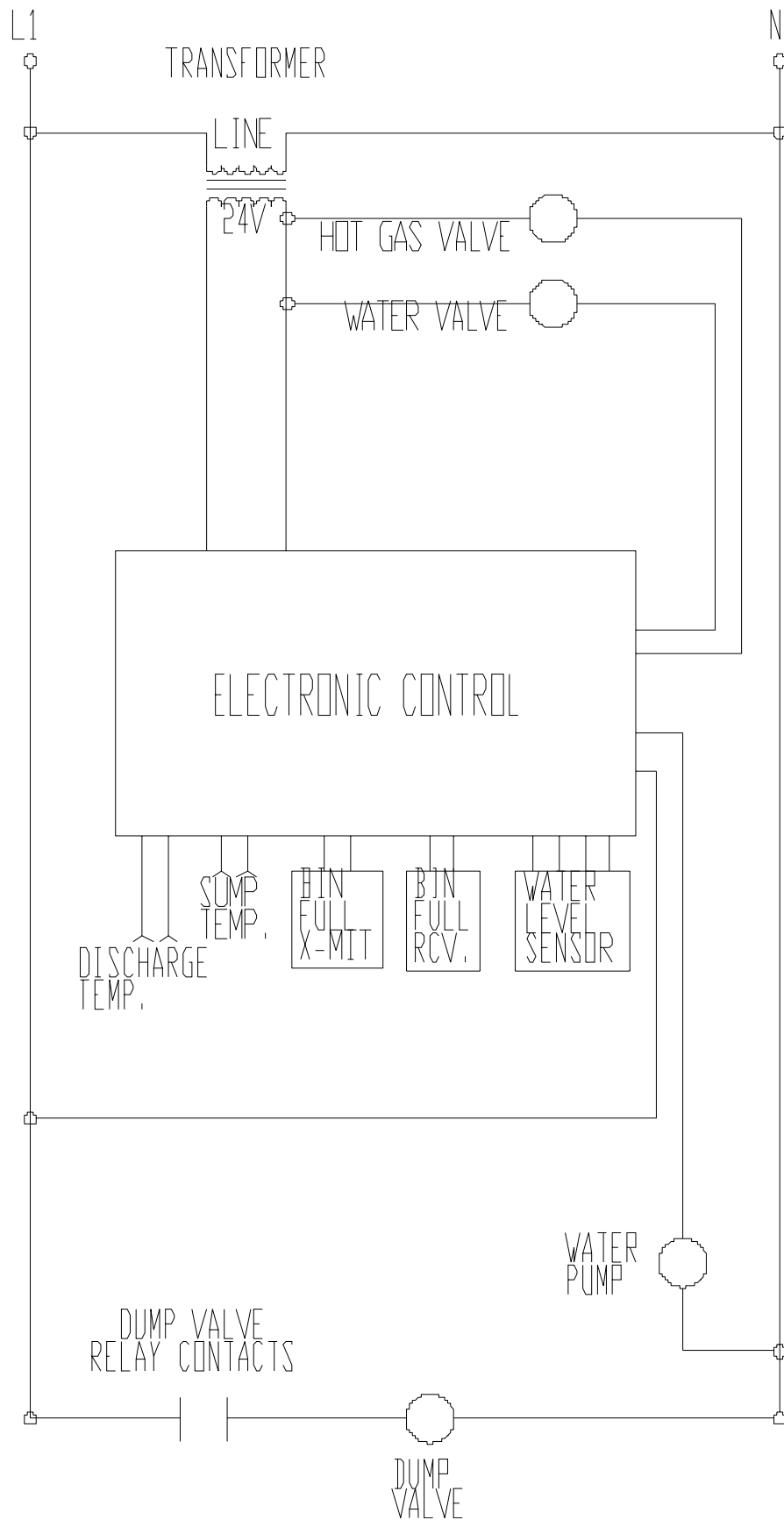
Item Number	Part Number	Description
1	03-1405-08	Screw
2	02-3770-01	Fan guard
3	02-3231-03	Filter
4	18-8820-01	Fan blade
5	12-2717-01	Fan motor
6	16-1057-04	Quick connect, discharge
	16-1057-03	Quick connect, liquid

Not Shown:

A37169-001	Leg
A37296-001	Leg brace
03-1645-01	Screw for legs

Eclipse 600, 800, 1000 Service Parts

CME686 and CME810 Schematic Diagram

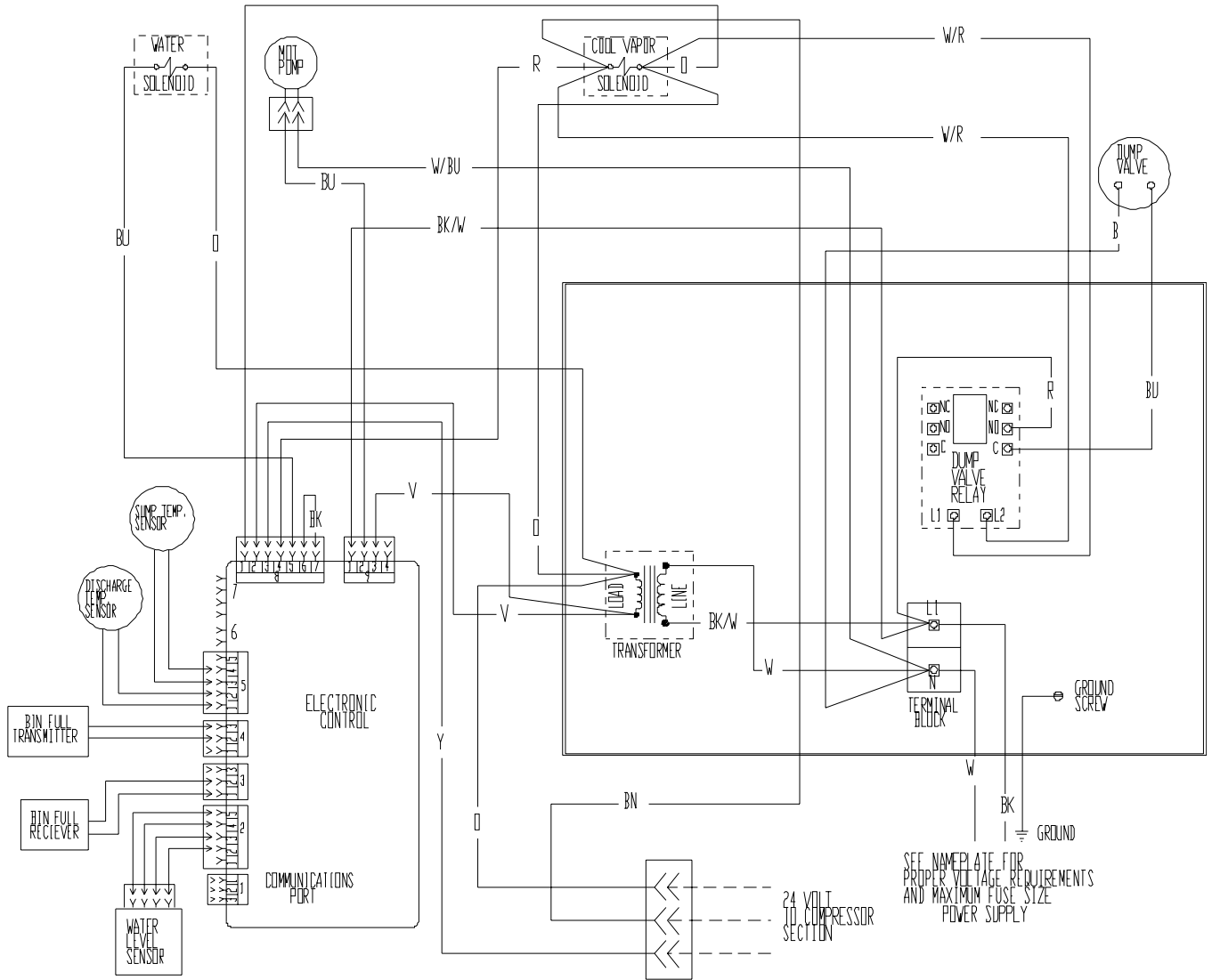


Eclipse 600, 800, 1000 Service Parts

CME686 and CME810 Wiring Diagram

17-2890-01

USE COPPER CONDUCTORS ONLY



CAUTION:

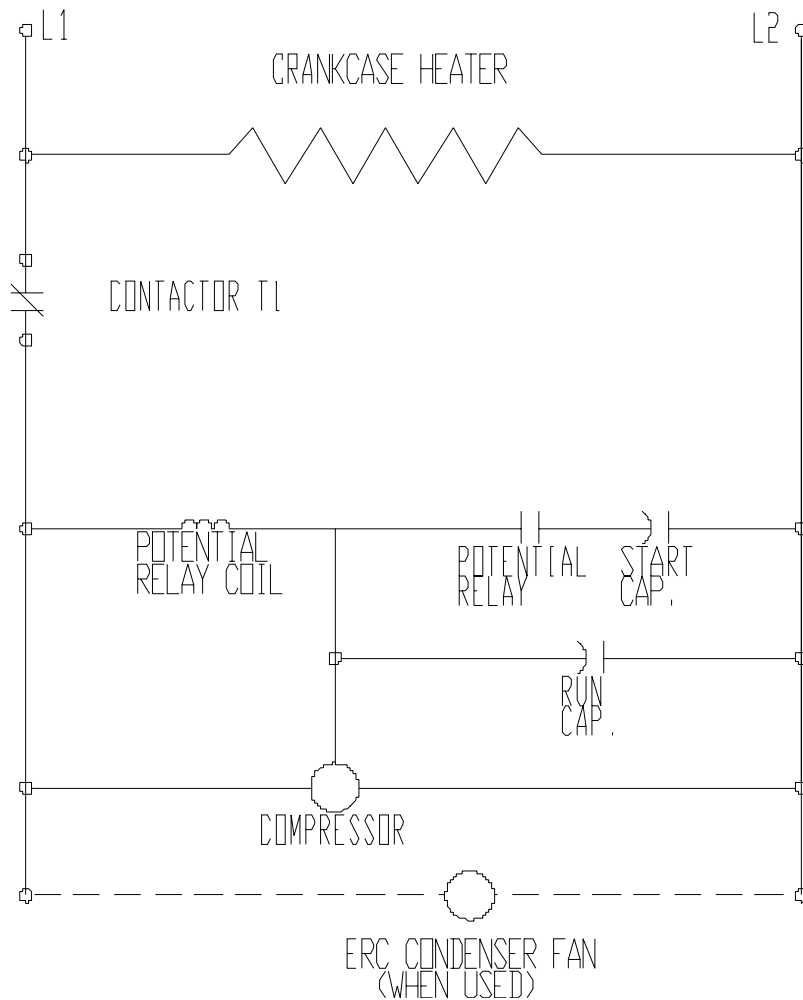
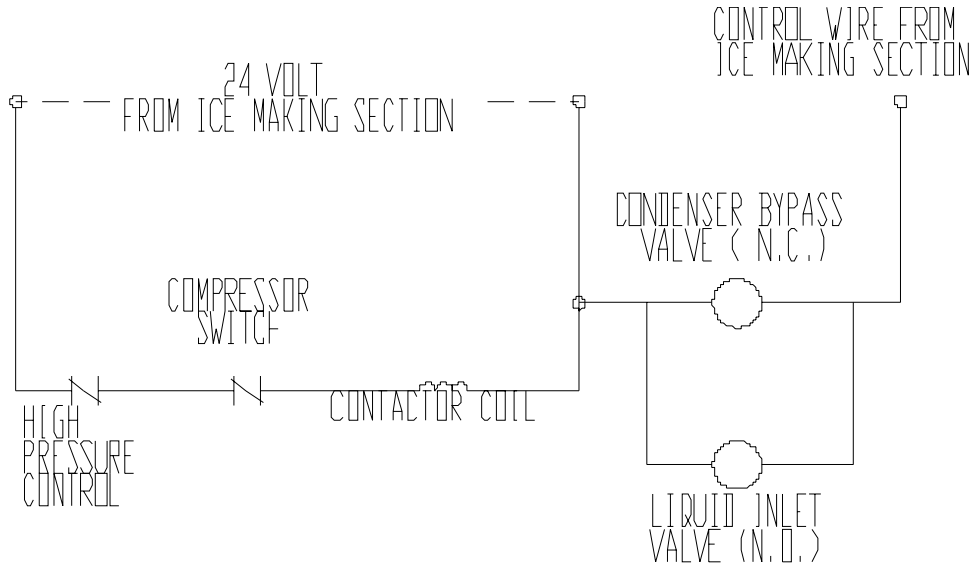
MORE THAN ONE DISCONNECT MEANS MAY BE REQUIRED TO DISCONNECT ALL POWER TO THIS UNIT.

THIS UNIT MUST BE GROUNDED.

⚠ DASHED LINES INDICATE FIELD WIRING WHICH MUST BE INSTALLED IN ACCORDANCE WITH THE NATIONAL ELECTRICAL CODE AND ALL STATE AND LOCAL CODES.

Eclipse 600, 800, 1000 Service Parts

CP686, CP886 and CP1086 Single Phase Schematic Diagram

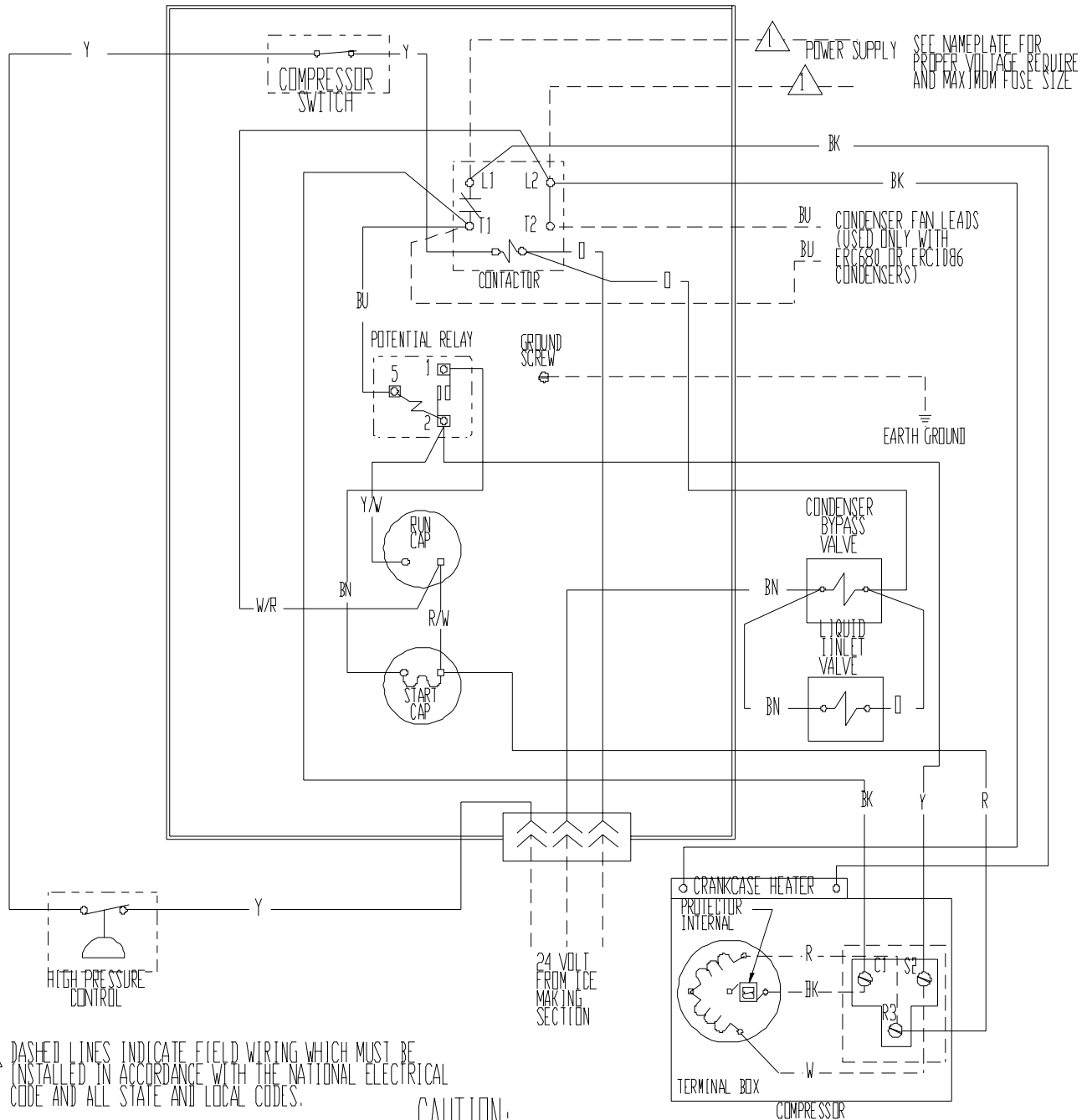


Eclipse 600, 800, 1000 Service Parts

CP686, CP886 and CP1086 Single Phase Wiring Diagram

17-2877-01

USE COPPER CONDUCTORS ONLY



△ DASHED LINES INDICATE FIELD WIRING WHICH MUST BE INSTALLED IN ACCORDANCE WITH THE NATIONAL ELECTRICAL CODE AND ALL STATE AND LOCAL CODES.

CAUTION:

MORE THAN ONE DISCONNECT MEANS MAY BE REQUIRED TO DISCONNECT ALL POWER TO THIS UNIT.

THIS UNIT MUST BE GROUNDED.

Eclipse 600, 800, 1000 Service Parts

CP686, CP886 and CP1086 Three Phase Schematic Diagram

