

# C0322, C0522 and C0722 Service Parts

This part list contains the service parts for the air cooled, water cooled and remote air cooled C0322, C0522 ice machines.

There was a change to panels in late 2009. Those are designated as B series units.

C0722 was added to the line in early 2013.

To avoid costly and time consuming errors, double check the model and voltage before ordering a part.

Prodigy Plus D Series models were added in late 2014. Prodigy Plus E Series models were added in late 2016.

Note: These abbreviations are used in this list:

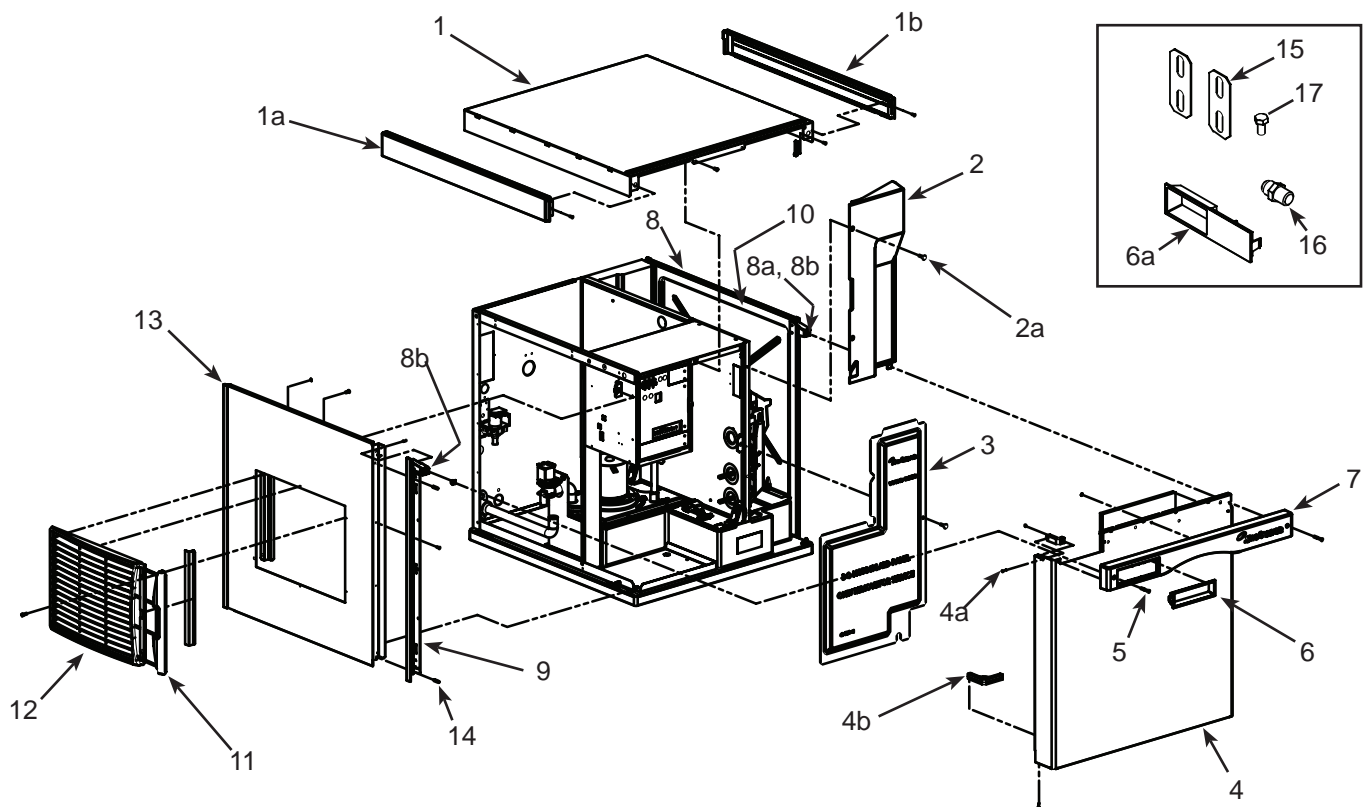
- AC = Air Cooled
- WC = Water Cooled
- RC = Remote Cooled
- HGVS = Hot Gas Valve
- TXV = Thermostatic Expansion Valve
- Volt = Voltage
- Sol Vlv = Solenoid Valve
- Hdwe = Hardware

## Contents

Cabinet - C0322 and C0522 A Series. . . . .	Page 2
Cabinet - B Series C0322 and C0522 . . . . .	Page 3
Cabinet - C0722 B Series.. . . .	Page 4
Cabinet - D and E Series C0322 and C0522. . . . .	Page 5
Cabinet - C0722 D and E Series. . . . .	Page 6
Interior Parts. . . . .	Page 7
Evaporator Compartment - C0322 or C0522. . . . .	Page 8
Evaporator Compartment - C0722 .. . . .	Page 9
Air or Water Cooled Refrigeration .. . . .	Page 10
Fan and Condenser Area - C0322 .. . . .	Page 11
Fan and Condenser Area - C0522 or C0722. . . . .	Page 12
C0522 Remote Refrigeration .. . . .	Page 13
Control Box and Other Electrical. . . . .	Page 14
Compressors and Compressor Electrical . . . . .	Page 15
Remote Condenser .. . . .	Page 16

# C0322, C0522 and C0722 Service Parts

## Cabinet - C0322 and C0522 A Series

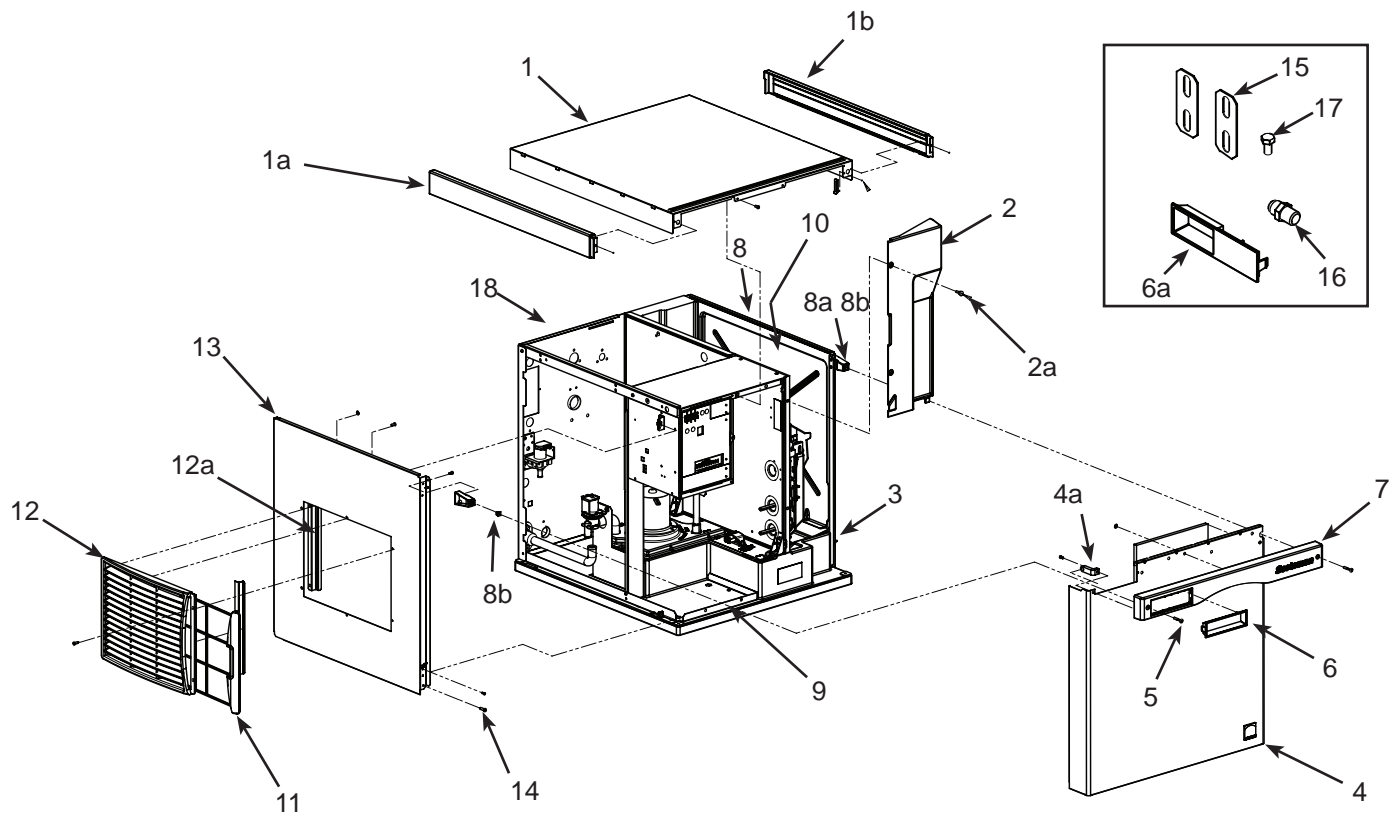


Item Number	Part Number	Description
1	<a href="#">A38941-021</a>	Top panel, w/trim strips
1a	<a href="#">02-4221-01</a>	Left trim strip
1b	<a href="#">02-4221-02</a>	Right trim strip
2	<a href="#">02-4240-01</a>	Evaporator cover
2a	<a href="#">03-0727-05</a>	Screw
3	<a href="#">02-4219-01</a>	Shield - discont Feb 2009.
4	<a href="#">A38552-021</a>	Front panel assembly, includes trim strip, gussets and labels.
4a	<a href="#">02-4216-01</a>	Top gusset
4b	<a href="#">02-4217-01</a>	Bottom gusset
5	<a href="#">03-1735-03</a>	Screw, front panel
6	<a href="#">02-4284-01</a>	Bezel, full window
6a	<a href="#">02-4284-02</a>	Bezel, partial window
7	<a href="#">02-4214-01</a>	Trim strip
8	<a href="#">A38553-021</a>	Right side panel assy
8a	<a href="#">02-4215-01</a>	Receptacle
8b	<a href="#">03-3804-01</a>	Screw receptacle

Item Number	Part Number	Description
9	<a href="#">02-4067-01</a>	Side panel support for water cooled and remote models
	<a href="#">02-4067-02</a>	Side panel support for air cooled models
10	<a href="#">02-4336-01</a>	Right side panel liner
11	<a href="#">02-4212-01</a>	Air filter
12a	<a href="#">A39222-001</a>	Filter guide
12b	<a href="#">A39238-001</a>	Louver bracket
13	<a href="#">A38551-021</a>	Left side panel, AC
	<a href="#">A38551-022</a>	Left side panel WC, RC
14	<a href="#">03-1404-12</a>	Screw
15	<a href="#">A30911-015</a>	Machine straps
16	<a href="#">16-0355-00</a>	Inlet water fitting, flare
17	<a href="#">03-1405-15</a>	Screw

# C0322, C0522 and C0722 Service Parts

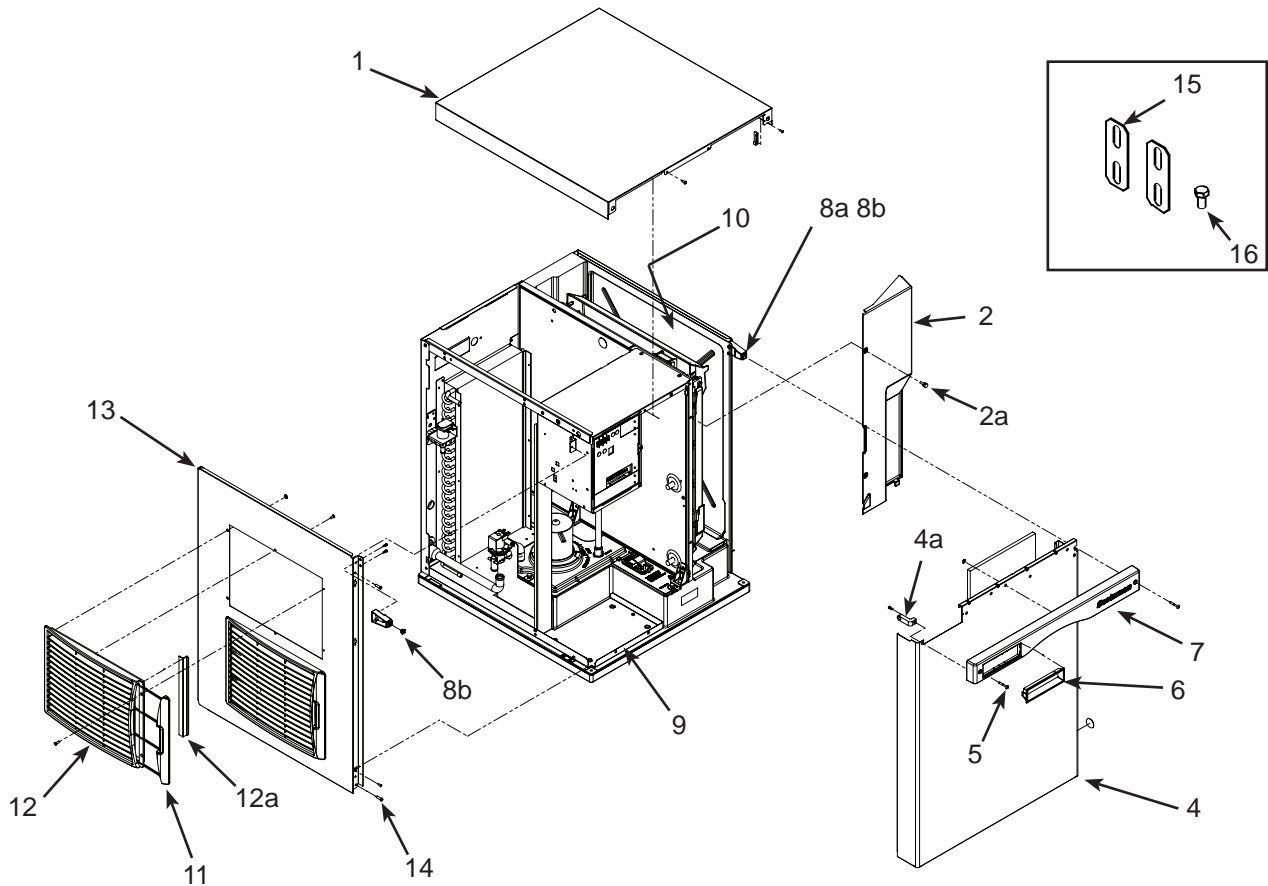
## Cabinet - B Series C0322 and C0522



Item Number	Part Number	Description	Item Number	Part Number	Description
1	A39579-021	Top panel	10	02-4336-01	Right side panel liner
1a	02-4221-01	Left trim strip*	11	02-4212-01	Air filter
1b	02-4221-02	Right trim strip*	12	02-4224-01	Louver panel
2	02-4240-01	Evaporator cover	12a	A39238-001	Louver bracket
2a	03-0727-05	Screw	13	A39580-021	Left side panel, AC
3	A39571-001	Side panel clip		A39580-022	Left side panel WC, RC
4	A39578-021	Front panel assembly, includes trim strip and labels.	14	03-1404-12	Screw
4a	02-4216-01	Top gusset	15	A30911-015	Machine straps
5	03-1735-03	Screw, front panel	16	16-0355-00	Inlet water fitting, flare**
6	02-4284-01	Bezel, full window	17	03-1405-15	Screw
6a	02-4284-02	Bezel, partial window**	18	A39750-001	Back panel, water cooled
7	02-4214-01	Trim strip		A39750-001	Back panel, remote
8	A39581-021	Right side panel assy			
8a	02-4215-01	Receptacle	* Trim strips discontinued mid 2011. ** Bezel and fitting discontinued from production 2/8/2012.		
8b	03-3804-01	Screw receptacle			
9	no number	Compressor deck			

# C0322, C0522 and C0722 Service Parts

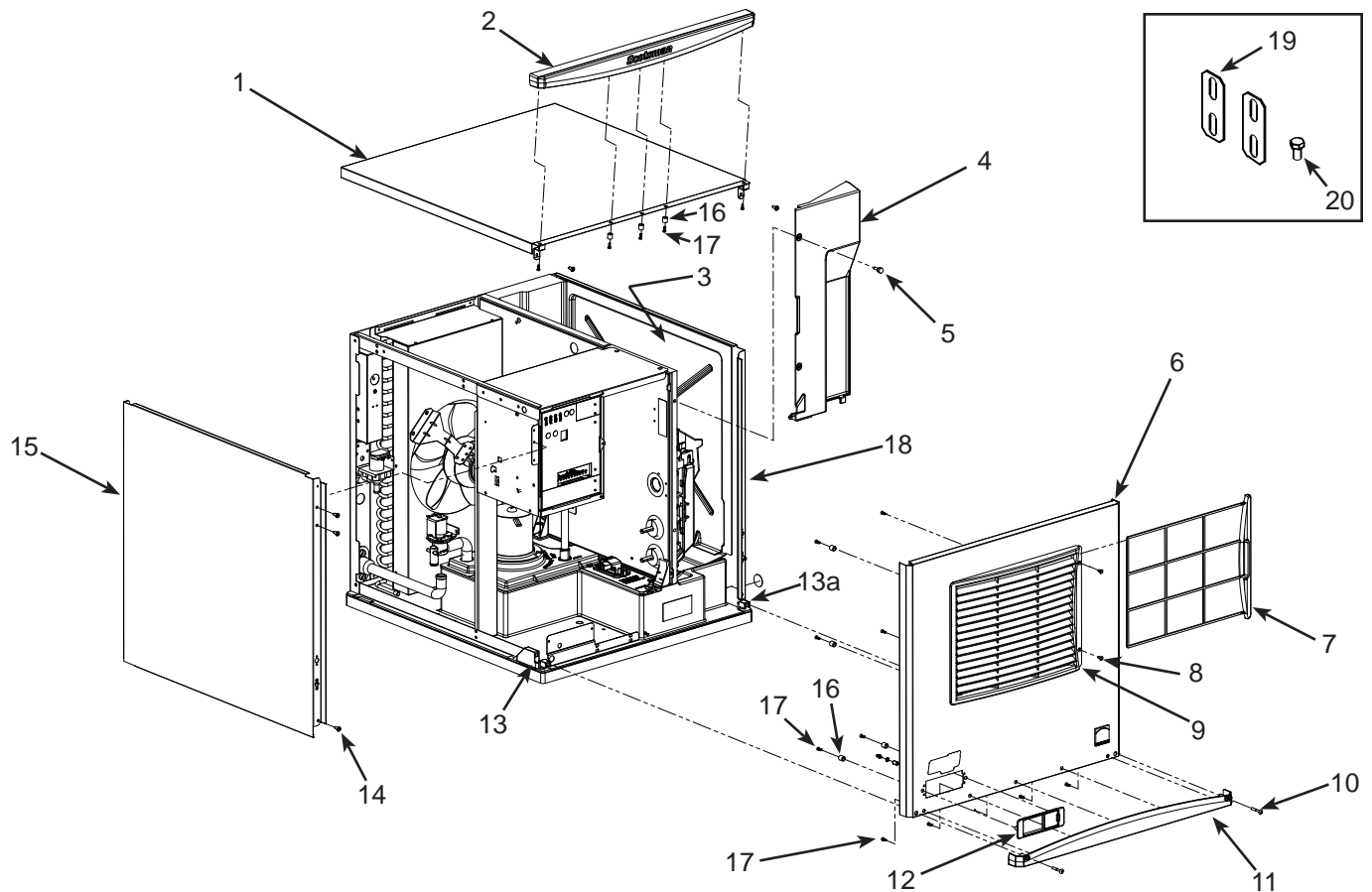
## Cabinet - C0722 B Series



Item Number	Part Number	Description	Item Number	Part Number	Description
1	A39579-021	Top panel	8b	03-3804-01	Screw receptacle
2	02-4240-02	Evaporator cover	9	no number	Compressor deck
2a	03-0727-05	Screw	10	02-4336-01	Right side panel liner
3	A39571-001	Side panel clip	11	02-4212-01	Air filter
4	A39578-027	Front panel assembly, includes trim strip and labels.	12	02-4224-01	Louver panel
4a	02-4216-01	Top gusset	12a	A39238-001	Louver bracket
5	03-1735-03	Screw, front panel	13	A39580-023	Left side panel, AC
6	02-4284-01	Bezel, full window	14	03-1404-12	Screw
7	02-4214-01	Trim strip	15	A30911-015	Machine straps
8	A39581-022	Right side panel assy	16	03-1405-15	Screw
8a	02-4215-01	Receptacle			

# C0322, C0522 and C0722 Service Parts

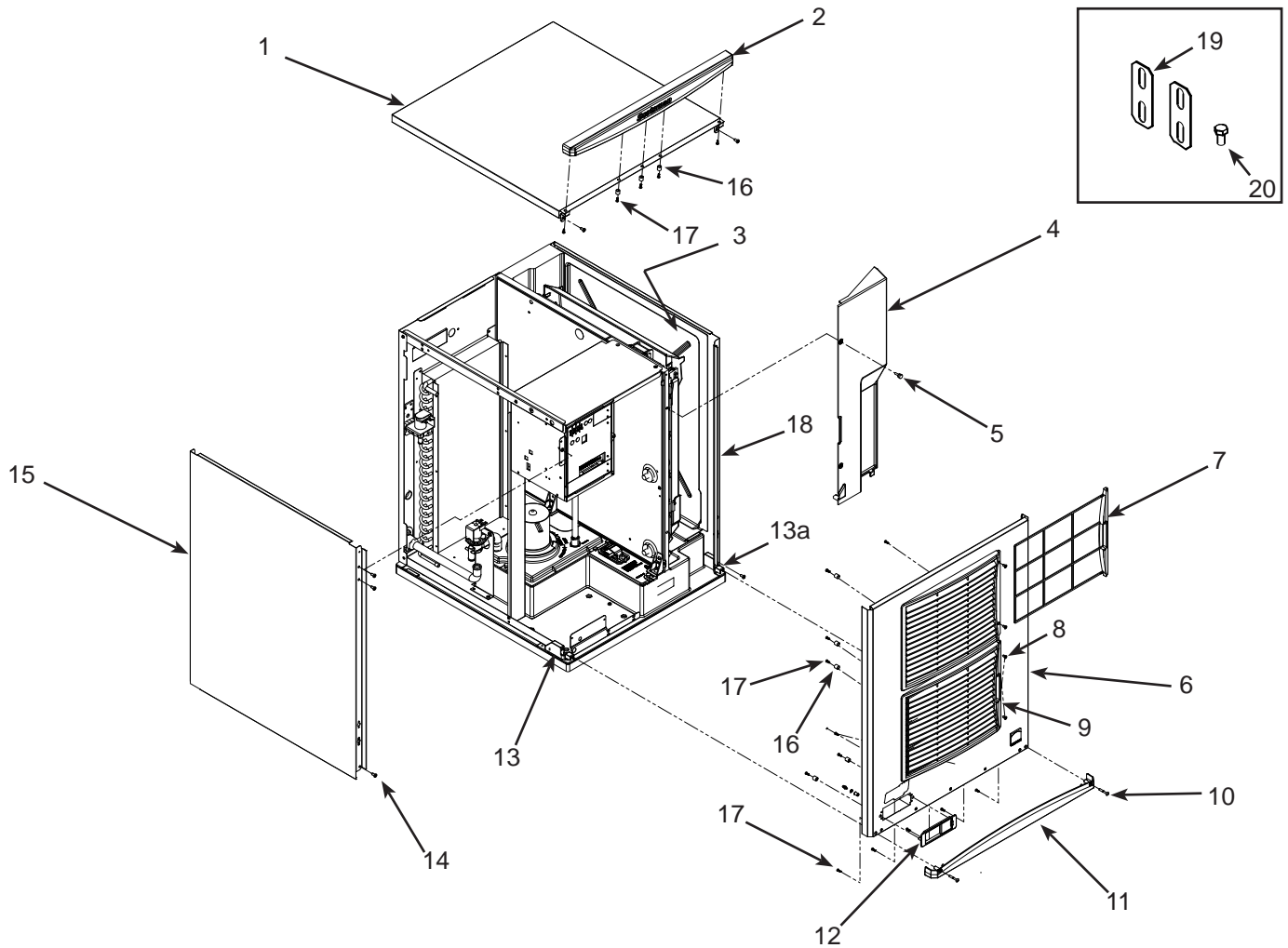
## Cabinet - D and E Series C0322 and C0522



Item Number	Part Number	Description
1	A40309-022	Top panel, includes item 2
2	02-4819-02	Trim strip, top
3	02-4336-01	Right side panel liner
4	02-4240-01	Evaporator cover
5	03-0727-05	Thumbscrew
6	A40308-025	Front panel, AC includes items 7, 8, 9, 10, 11, 12
	A40308-026	Front panel, WC or RC. Includes items 10, 11, 12
7	02-4212-03	Air filter
8	03-1419-26	Screw
9	02-4224-03	Louvers
10	03-1735-03	Screw
11	02-4820-02	Trimstrip
12	02-4821-02	Bezel, includes standard door
12a	02-4822-01	Door, bezel with handle
12b	02-4822-02	Door, bezel secure
13	02-4823-21	*Panel mount kit, left
13a	02-4823-22	*Panel mount kit, right
		*Includes both screw receptacles
14	03-1404-10	Screw
15	A40310-023	Left side panel, AC
	A40310-021	Left side panel, WC, RC
16	02-4824-01	Spacer
17	03-3836-02	Screw
18	A40311-021	Right side panel
19	A30911-015	Machine straps
20	03-1405-15	Screw

# C0322, C0522 and C0722 Service Parts

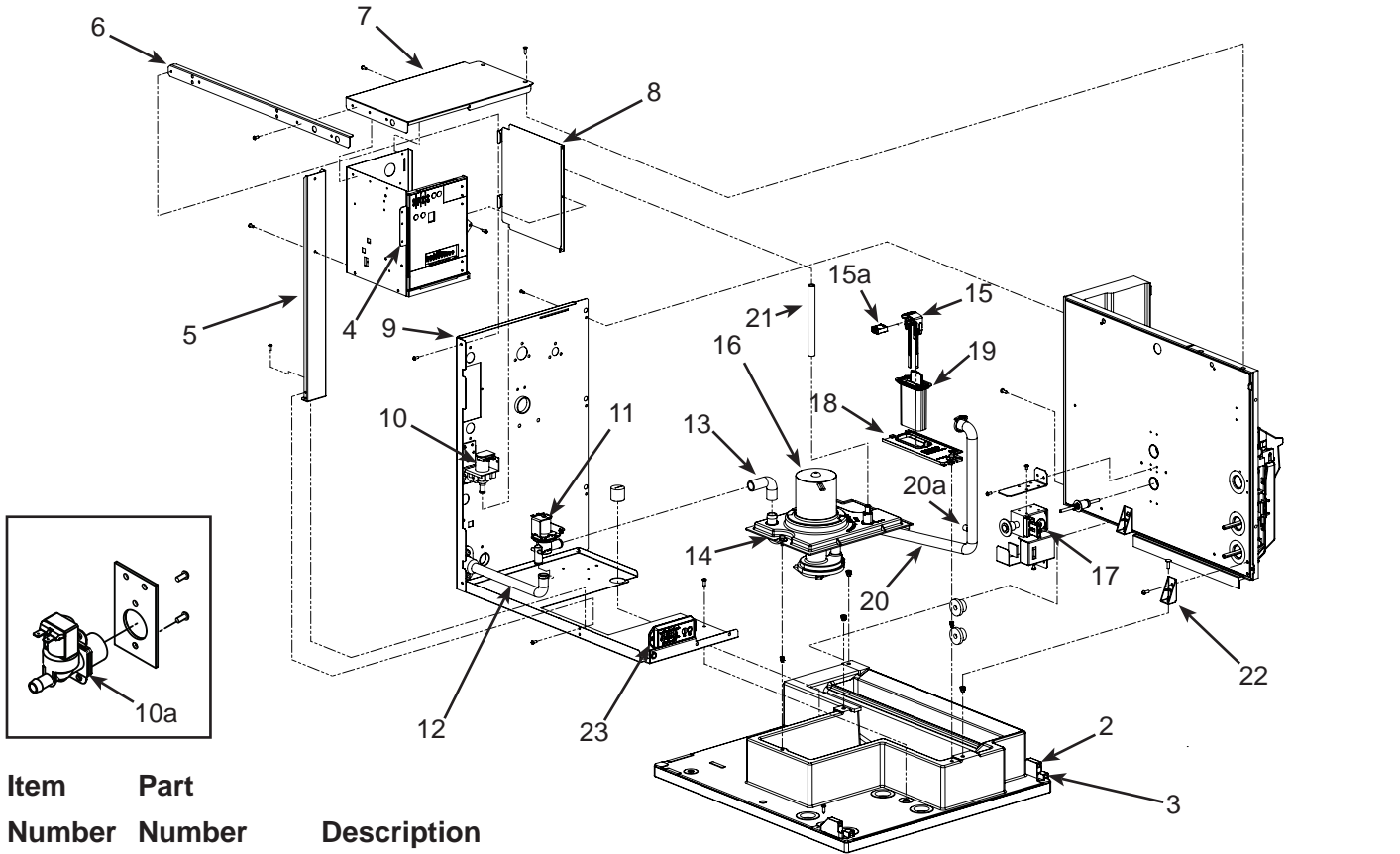
## Cabinet - C0722 D and E Series



Item Number	Part Number	Description
1	A40309-022	Top panel, includes item 2
2	02-4819-02	Trim strip, top
3	02-4336-02	Right side panel liner
4	02-4240-02	Evaporator cover
5	03-0727-05	Thumbscrew
6	A40308-027	Front panel, AC includes items 7, 8, 9, 10, 11, 12
7	02-4212-03	Air filter
8	03-1419-26	Screw
9	02-4224-03	Louvers
10	03-1735-03	Screw
11	02-4820-02	Trim strip
12	02-4821-02	Bezel, includes standard door
12a	02-4822-01	Door, bezel with handle
12b	02-4822-02	Door, bezel secure
13	02-4823-21	*Panel mount kit, left
13a	02-4823-22	*Panel mount kit, right *Includes both screw receptacles
14	03-1404-10	Screw
15	A40310-024	Left side panel, AC
16	02-4824-01	Spacer
17	03-3836-02	Screw
18	A40311-022	Right side panel
19	A30911-015	Machine straps
20	03-1405-15	Screw

# C0322, C0522 and C0722 Service Parts

## Interior Parts

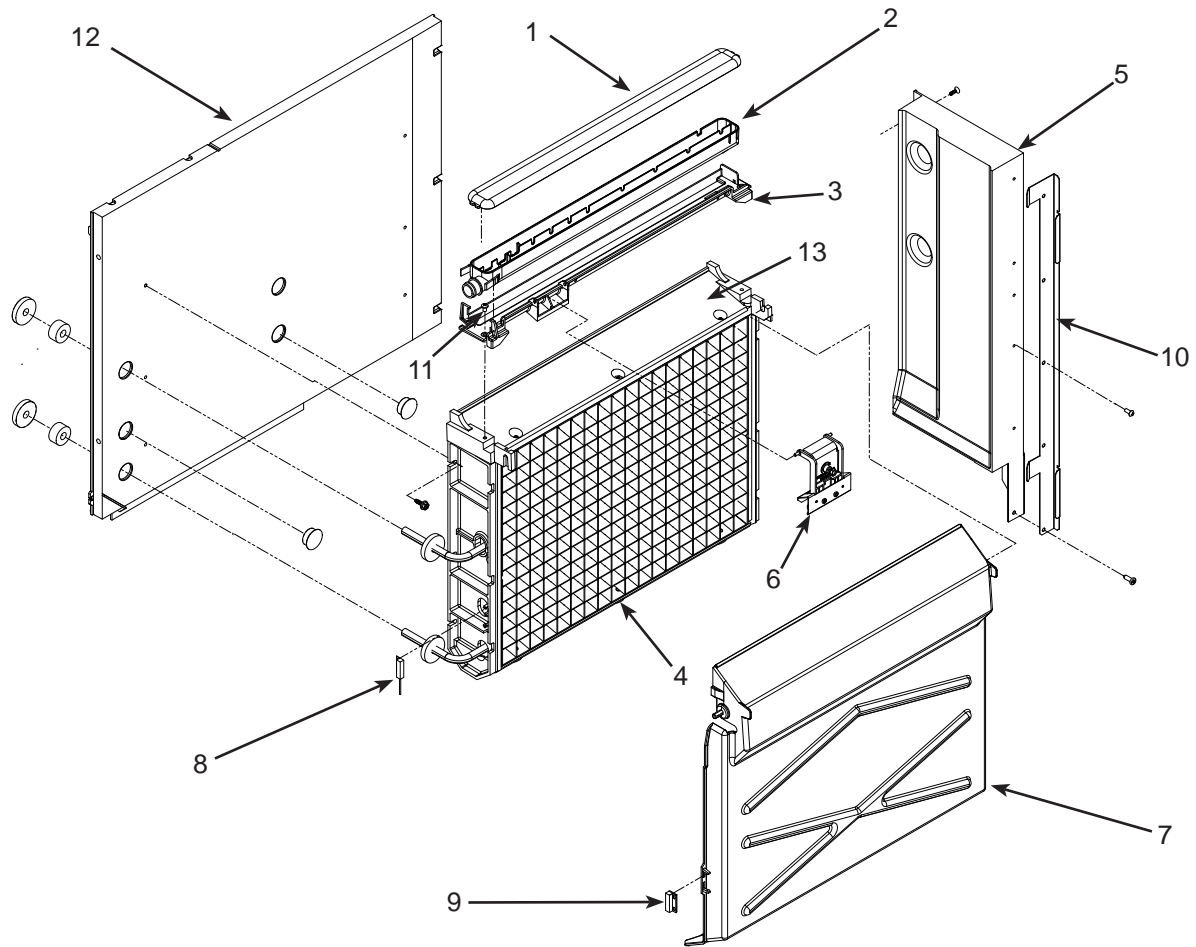


Item Number	Part Number	Description
1*	<a href="#">15-0411-00</a>	Strike - A series only
2	See page 6 item # 13,13a and 13b	
3	<a href="#">03-3804-01</a>	Screw receptacle
4	<a href="#">A38732-001</a>	Side pnl mount
5	<a href="#">A38607-001</a>	Strut, C0322, C0522
	<a href="#">A40057-001</a>	Strut, C0722
6	<a href="#">A38582-001</a>	Brace
7	<a href="#">A38539-001</a>	Control box top A - C series
	<a href="#">A40283-002</a>	Control box top, D series
8	<a href="#">A38537-001</a>	Control box side
9	no number	Back panel
10	<a href="#">12-3124-01</a>	Inlet water sol vlv, 115 volt
	<a href="#">12-3124-02</a>	Inlet water sol vlv, 230 volt
	<a href="#">12-2912-01</a>	Water valve rebuild kit
10a	<a href="#">11-0568-02</a>	Inlet water sol vlv, CE mod
11	<a href="#">11-0564-01</a>	Purge valve, 115 volt
	<a href="#">11-0564-02</a>	Purge valve, 230 volt
12	<a href="#">A38861-002</a>	Drain tube
13	<a href="#">A38861-001</a>	Drain hose
14	<a href="#">02-4164-01</a>	Water pump bracket
	<a href="#">15</a>	<a href="#">A39030-021</a> Water level sensor
	<a href="#">15a</a>	Harness, see page 14
	<a href="#">16</a>	<a href="#">12-2919-21</a> Water pump, 115 volt
		<a href="#">12-2919-22</a> Water pump, C0322/522 208-230 volt
		<a href="#">12-2920-23</a> Water pump, C0722
	<a href="#">17</a>	<a href="#">12-3060-21</a> Harvest assist, 115 volt
		<a href="#">12-3060-22</a> Harvest assist, 230 volt
	<a href="#">18</a>	<a href="#">02-4648-01</a> Reservoir cover
	<a href="#">19</a>	<a href="#">02-4646-01</a> Sensor guard
	<a href="#">20</a>	<a href="#">02-4154-03</a> Pump hose, C0722
		<a href="#">02-4154-02</a> Pump hose, C0522
		<a href="#">02-4154-01</a> Pump hose, C0322
	<a href="#">20a</a>	<a href="#">11-0515-21</a> Temp sensor set
	<a href="#">21</a>	<a href="#">13-0674-02</a> Fill hose - order per foot
		<a href="#">15-0821-01</a> Fill hose, -6 CE models
	<a href="#">22</a>	<a href="#">02-4152-01</a> Gusset
	<a href="#">23</a>	<a href="#">11-0622-21</a> Lower switch panel w/ harness

\* Not illustrated, no longer used.

# C0322, C0522 and C0722 Service Parts

## Evaporator Compartment - C0322 or C0522



Item Number	Part Number	Description
1	02-4065-01	Water distributor cover
2	02-4064-01	Water distributor
3	02-4205-01	Mounting bracket
4	see table	Evaporator

Item Number	Part Number	Description
7	02-4100-31	Curtain, C0322
	02-4100-32	Curtain, C0522
8	11-0563-01	Curtain switch
9	11-0563-02	Curtain switch magnet
10	02-4067-01	Side panel support
11	03-1418-30	Mounting screw
12	13-0943-01	Gasket tape, order by foot
13	02-4156-21	Spillway replacement kit

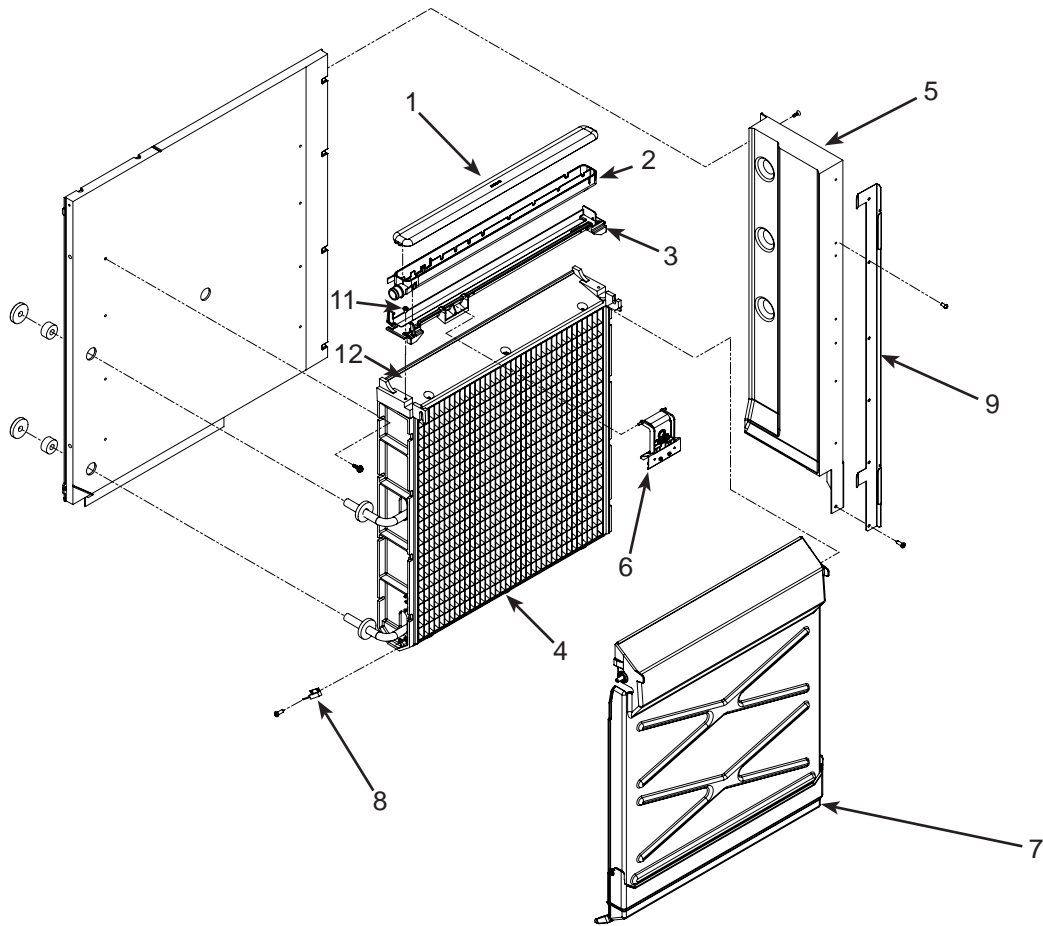
	small cube	medium cube
C0322	A38626-021	A38626-022
C0522	A38627-021	A38627-022

5	A38596-001	Back wall,
6	A39031-021	Ice thickness sensor

Note: Item 7 includes item 9, shipped loose

# C0322, C0522 and C0722 Service Parts

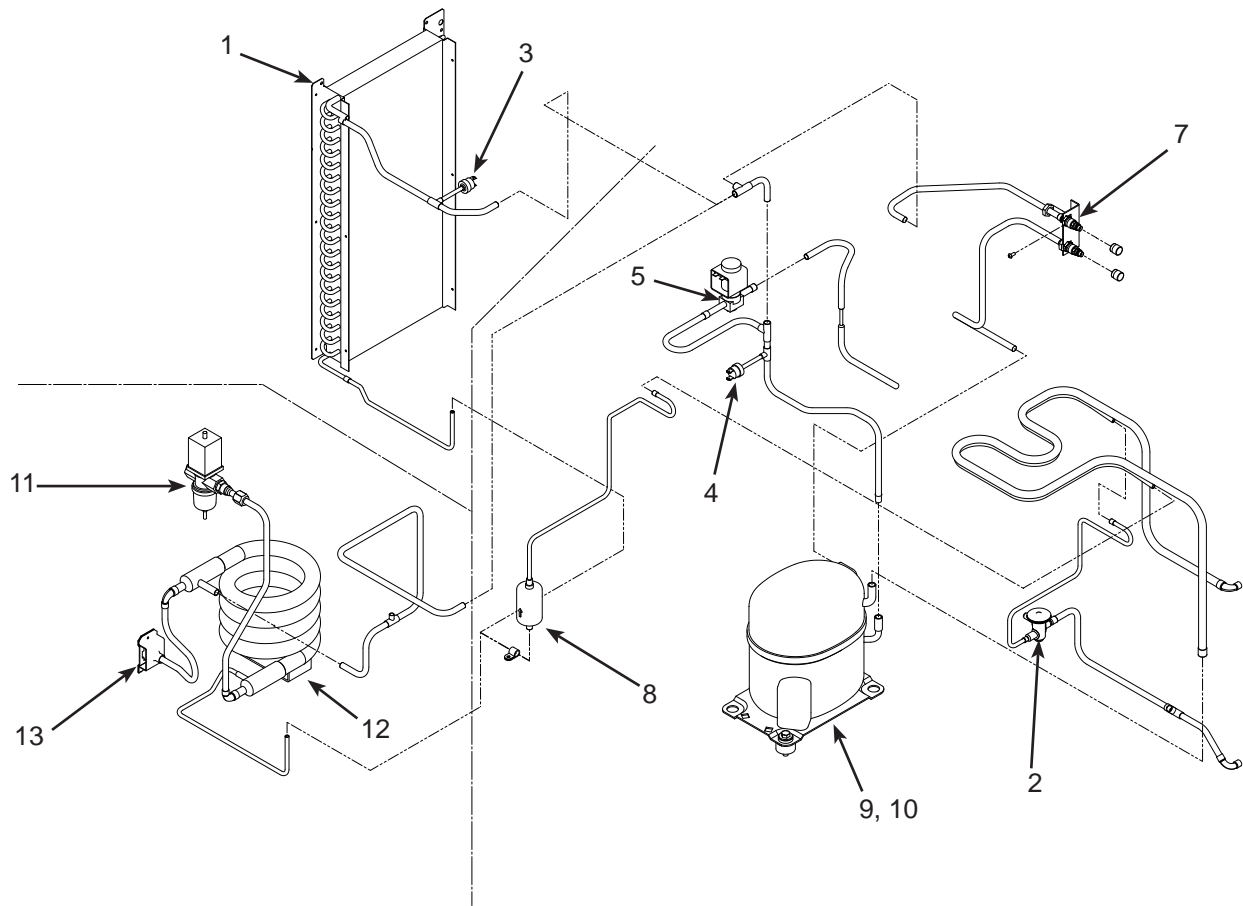
## Evaporator Compartment - C0722



Item Number	Part Number	Description	Item Number	Part Number	Description
1	02-4065-01	Water distributor cover	7	02-4611-21	Curtain,
2	02-4064-01	Water distributor	8	11-0563-01	Curtain switch
3	02-4205-01	Mounting bracket	9	A39584-001	Liner support bracket
4	A38628-021	Evaporator, small cube	10	03-1418-30	Mounting screw
	A38628-022	Evaporator, large cube	11	13-0943-01	Gasket tape, order by foot
5	A38598-001	Back wall	12	02-4156-21	Spillway replacement kit
6	A39031-021	Ice thickness sensor			Note: Item 7 includes magnet

# C0322, C0522 and C0722 Service Parts

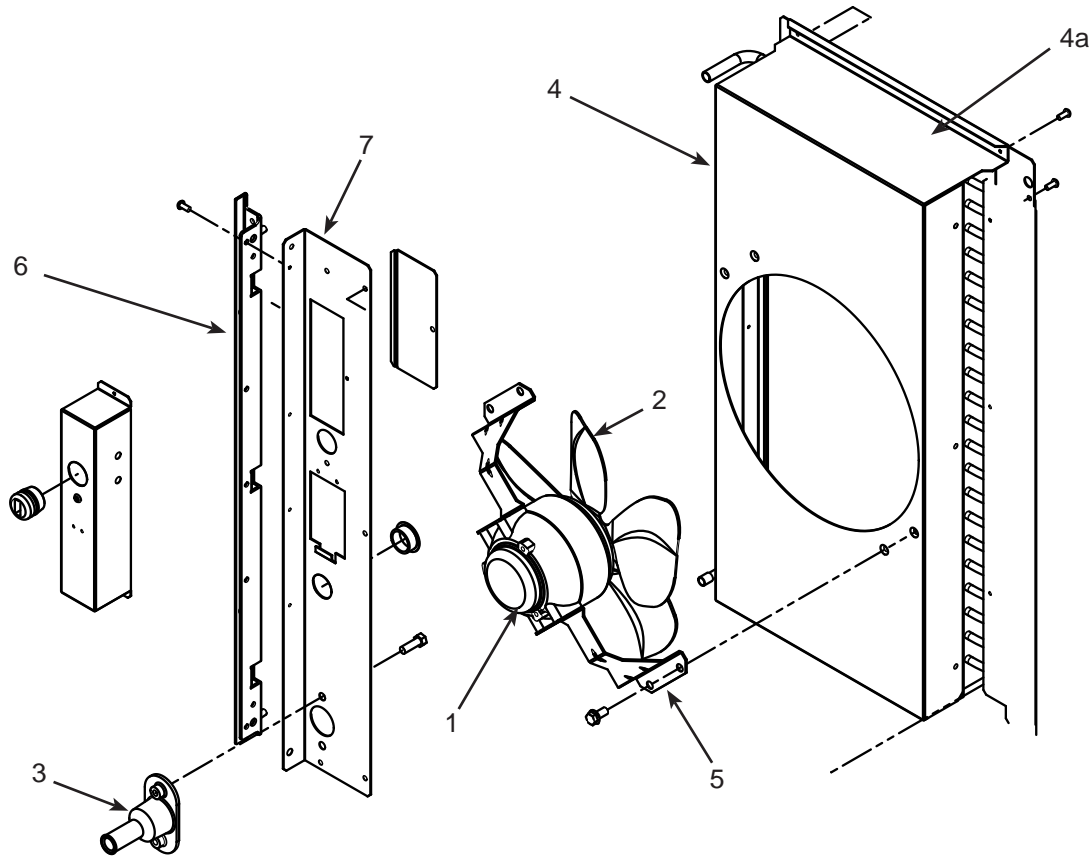
## Air or Water Cooled Refrigeration



Item Number	Part Number	Description	Item Number	Part Number	Description
1	18-8890-01	Condenser, AC	7	16-1137-01	Valve body for all but C0722 E
2	16-1142-01	TXV, C0722		16-1138-01	C0722 E Valve body
	16-1184-02	TXV, C0522	7a	16-1139-01	Core
	16-1183-02	TXV, C0322	7b	16-1140-01	Cap
	19-0599-06	Insulation for TXV	8	02-3319-01	Dryer
3	11-0566-21	Fan cycle pressure sw.	9	see page 15	Compressors
4	11-0501-05	Hi pressure cut out (AC)	10	see page 15	Compressor mounting hdw
	11-0501-01	Hi pressure cut out (WC)	11	11-0608-21	Water regulating valve
5	11-0493-02	Hot gas valve w/coil, 115 volt	12	18-8871-21	Condenser
	12-2719-21	115 volt coil only	13	A31828-002	Condenser drain
	11-0493-01	Hot gas valve w/coil, 230 volt			Prior access valves (operate with hex key)
	12-2719-22	230 volt coil only		16-0832-20	Access valve
	12-2733-30	HGV rebuild kit		16-0832-03	Port cap
	*16-1063-01	HGV Strainer - discontinued 2012		16-0832-02	Stem cap

# C0322, C0522 and C0722 Service Parts

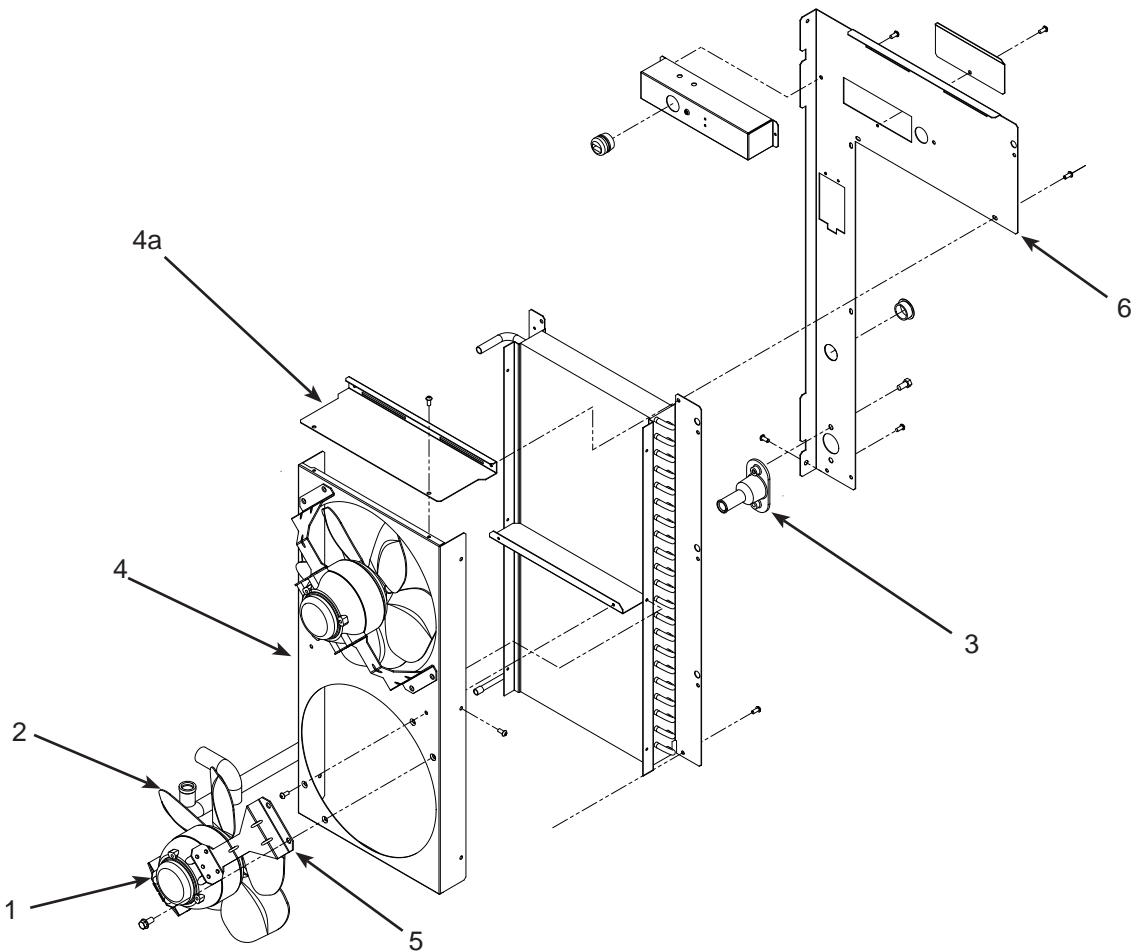
## Fan and Condenser Area - C0322



Item Number	Part Number	Description
1	<a href="#">12-1681-23</a>	Fan motor, C0322, 115 volt
	<a href="#">12-1681-04</a>	Fan motor, C0322, 230 volt
2	<a href="#">18-8836-01</a>	Fan blade, C0322
3	<a href="#">02-3692-21</a>	Drain adapter - also for WC and RC
4	<a href="#">A38841-001</a>	Fan shroud, C0322 - A series
	<a href="#">A39350-001</a>	Fan shroud, C0322 - B or D series
4a	<a href="#">A39593-001</a>	Fan shroud top - B or D series only
5	<a href="#">A38480-001</a>	Fan motor bracket, C0322
6	<a href="#">02-4067-02</a>	Side panel support, A series only
7	<a href="#">A39585-001</a>	Utility bracket

# C0322, C0522 and C0722 Service Parts

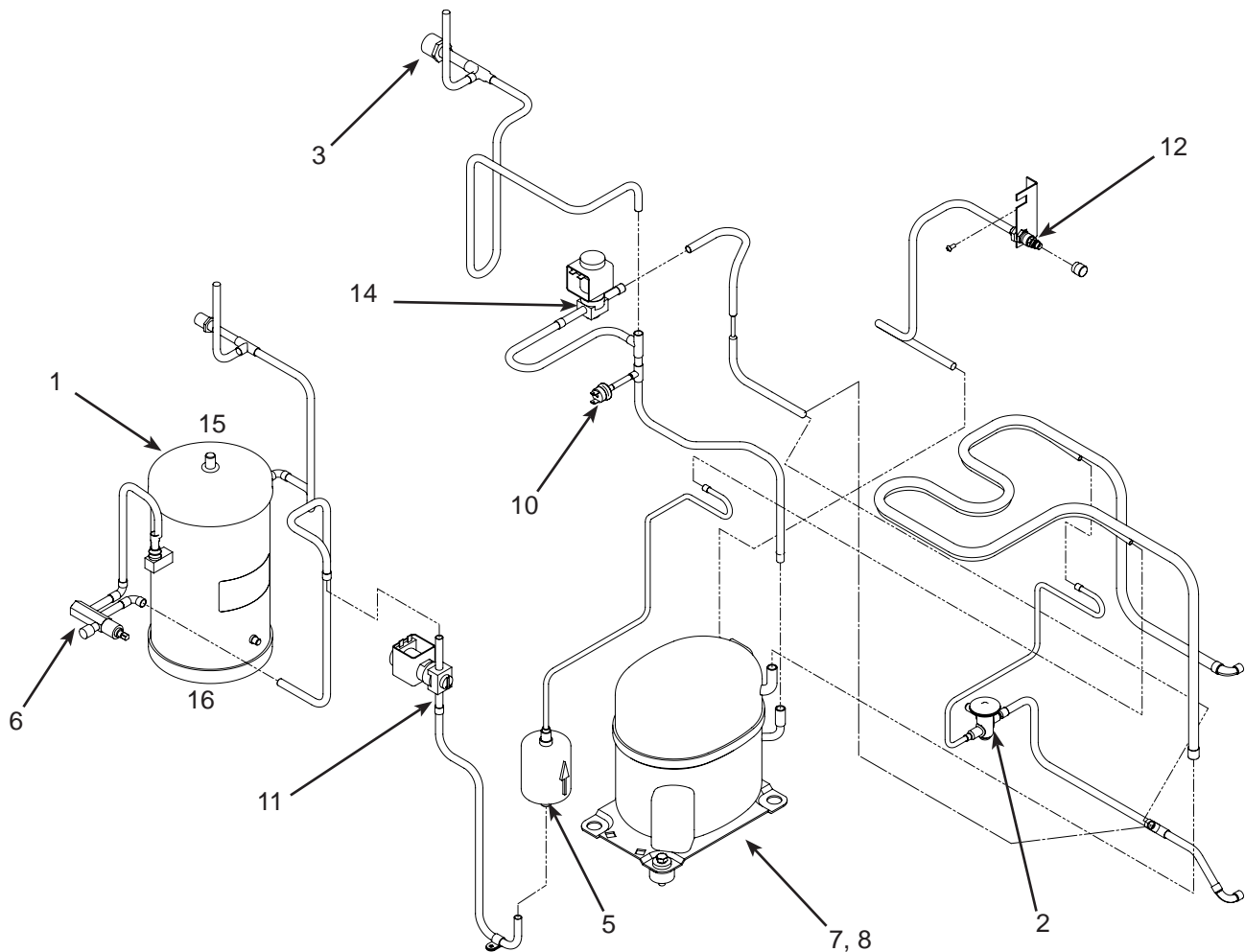
## Fan and Condenser Area - C0522 or C0722



Item Number	Part Number	Description
1	<a href="#">12-1681-23</a>	Fan motor, C0522 115 v
	<a href="#">12-1681-04</a>	Fan motor, C0522 or C0722 230 volt
2	<a href="#">18-8836-01</a>	Fan blade, C0522 or C0722
3	<a href="#">02-3692-21</a>	Drain adapter - also for WC and RC
4	<a href="#">A38605-001</a>	Fan shroud - C0522 A Series
	<a href="#">A39351-001</a>	Fan shroud - C0522 or C0722 B or D Series
4a	<a href="#">A39593-001</a>	Fan shroud top, C0522 or C0722 B or D Series only
5	<a href="#">A38480-001</a>	Fan motor bracket, C0522 or C0722
6	<a href="#">A40059-001</a>	Back panel - C0722
	<a href="#">A39585-001</a>	Back panel - C0522. Not as shown.
7	<a href="#">02-4067-02</a>	Side panel support - A series only. Not shown.

# C0322, C0522 and C0722 Service Parts

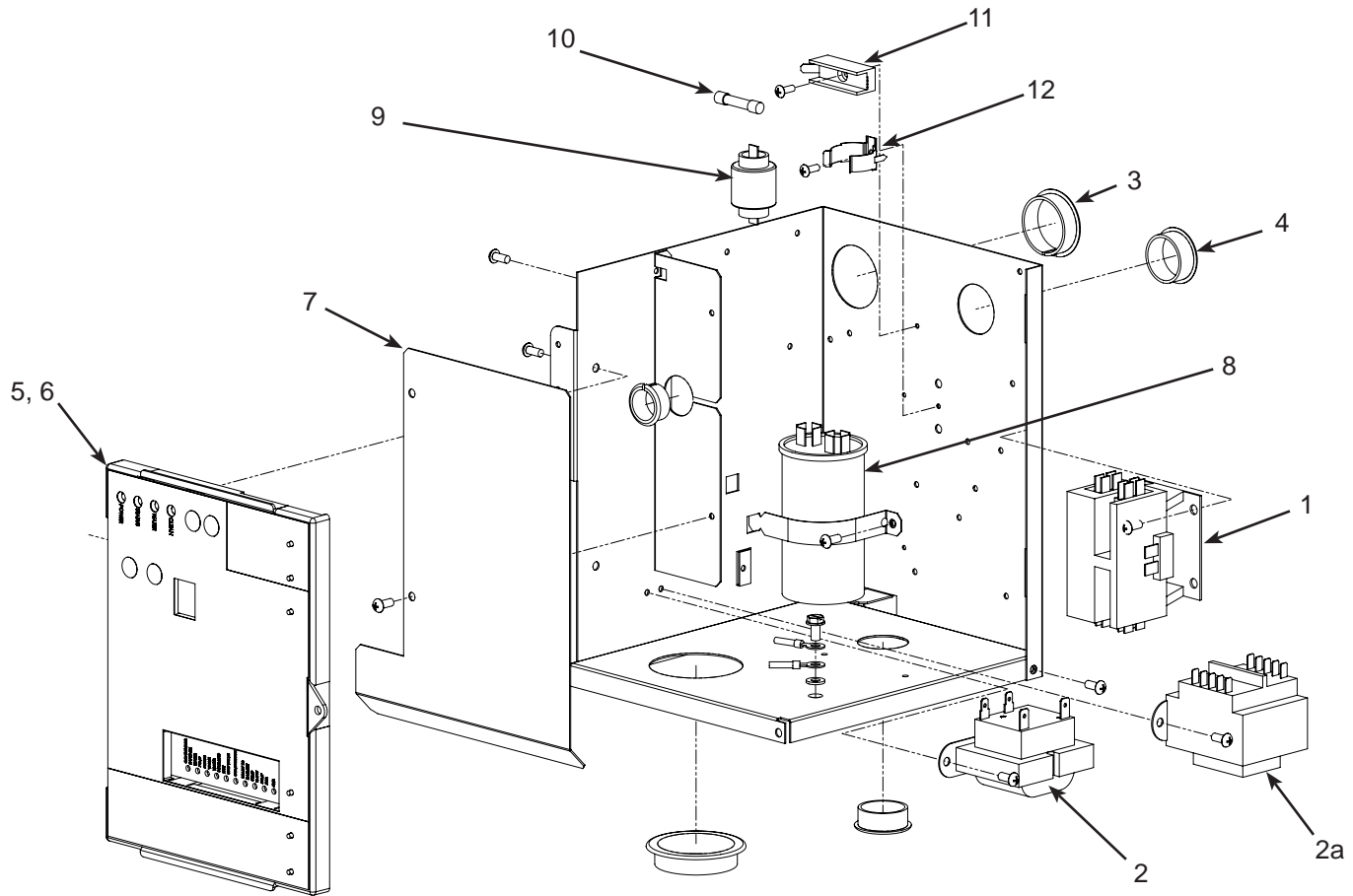
## C0522 Remote Refrigeration



Item Number	Part Number	Description	Item Number	Part Number	Description
1	16-1176-01	Receiver	11	11-0493-02	Liquid line valve or HG, 115 volt
2	16-1182-01	TXV	12	16-1137-01	Valve body
	19-0559-06	Insulation for TXV	12a	16-1139-01	Core
3	16-0850-01	Discharge quick connect	12b	16-1140-01	Cap
4	16-0850-03	Liquid quick connect	13	16-1063-01	Strainer - no longer used
5	02-3319-02	Drier	14	11-0493-02	Hot gas valve
6	16-1030-01	Liquid line access valve	15	A37211-001	Top receiver bracket
7	see page 12	Compressors	16	A37212-001	Bottom receiver bracket
7a	12-2942-01	Crankcase heater	17	02-3692-21	Drain adapter
8	see page 12	Compressor mounting hdw	18	16-0832-20	Access valve
9	02-4067-01	Side panel support		16-0832-03	Port cap
10	11-0501-22	High pressure cut out		16-0832-02	Stem cap

# C0322, C0522 and C0722 Service Parts

## Control Box and Other Electrical



Item Number	Part Number	Description	Item Number	Part Number	Description
1	12-2469-03	Contactor, 115 volt	9	see next page	PTCR -
	12-2469-02	Contactor, 230 volt	10	12-2686-01	Fuse, 50 Hz only
2	12-2924-01	Transformer, 115 volt	11	12-2687-01	Fuse holder
	12-2924-02	Transformer, 230 volt	12	18-8835-02	Bracket
2a	12-2639-01	Transformer, 50 Hz	Wiring Harnesses (not illustrated)		
3	12-1213-11	Snap bushing	13	12-2931-01	Power harness, A & W
4	12-1213-15	Snap bushing		12-2931-02	Power harness, Remote
5	11-0621-21	Service controller, fits all Prodigy cubers		12-2930-01	Power harness, *C0722E
6	02-4076-01	Control box door	Power harness connects to J1 on controller		
	02-4189-01	Overlay label	14	12-2932-01	Hi voltage harness, A & W
7	A39216-001	Barrier		12-2933-01	Hi voltage harness, Rem
8	see next page	Run capacitor		12-2971-01	Hi voltage, 50 Hz A & W
			Hi voltage harness has the 8 pin connector		
			15	12-2928-01	WLS harness

# C0322, C0522 and C0722 Service Parts

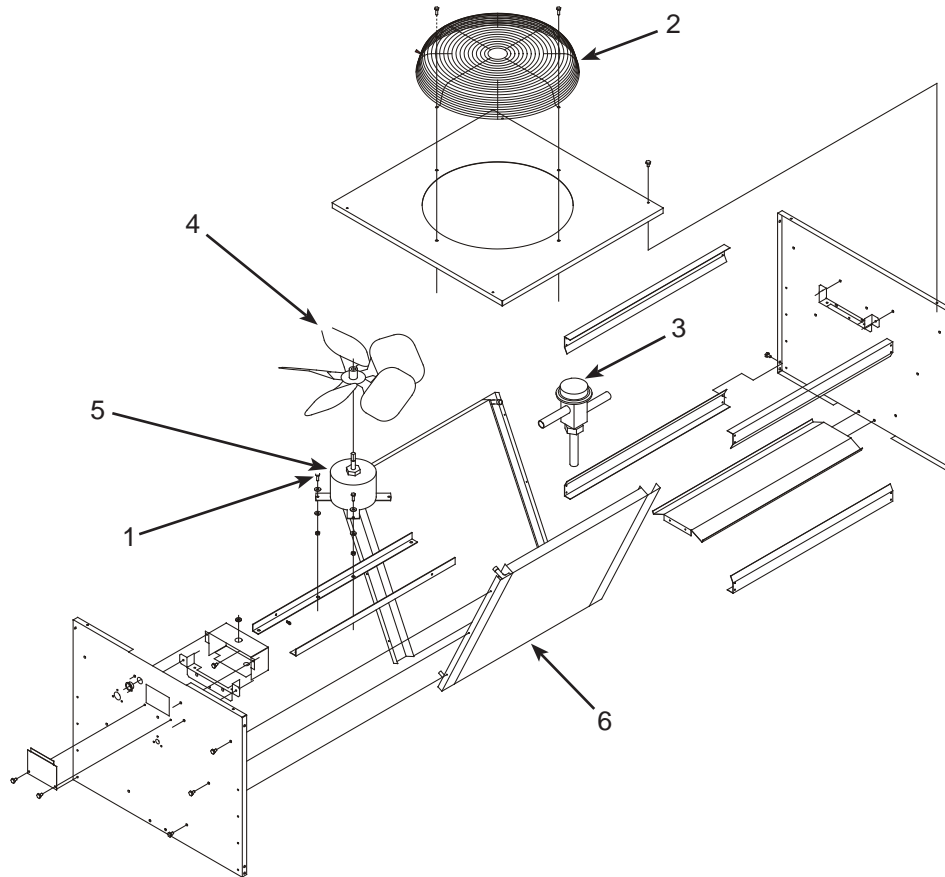
## Compressors and Compressor Electrical

Model	Series	Electrical	Compressor	Overload	Run Ca- pacitor	PTCR
C0322-1	A-E	115/60/1	<a href="#">18-8897-21</a>	<a href="#">18-8897-23</a>	<a href="#">18-1902-53</a>	<a href="#">18-8835-01</a>
C0322-6	A-E	230/50	<a href="#">18-8897-26</a>	<a href="#">18-8897-28</a>	<a href="#">18-1902-57</a>	<a href="#">18-8835-01</a>
C0322-32	A-E	208-230/60/1	<a href="#">18-8897-22</a>	<a href="#">18-8897-27</a>	<a href="#">18-1902-57</a>	<a href="#">18-8835-01</a>
C0522-1	A-D	115/60/1	<a href="#">18-8921-21</a>	<a href="#">18-8921-23</a>	<a href="#">18-1902-45</a>	<a href="#">18-8835-01</a>
C0522-1	E	115/60/1	<a href="#">18-8897-21</a>	<a href="#">18-8897-23</a>	<a href="#">18-1902-69</a>	<a href="#">18-8835-01</a>
C0522-6	A-D	230/50	<a href="#">18-8921-26</a>	<a href="#">18-8774-27</a>	<a href="#">18-1902-68</a>	<a href="#">18-8835-01</a>
C0522-6	E	230/50	<a href="#">18-8897-26</a>	<a href="#">18-8897-28</a>	<a href="#">18-1902-68</a>	<a href="#">18-8835-01</a>
C0522-32	A-D	208-230/60/1	<a href="#">18-8921-22</a>	<a href="#">18-8774-28</a>	<a href="#">18-1902-68</a>	<a href="#">18-8835-01</a>
C0522-32	E	208-230/60/1	<a href="#">18-8897-22</a>	<a href="#">18-8897-27</a>	<a href="#">18-1902-68</a>	<a href="#">18-8835-01</a>
C0722-32	A-D	208-230/60/1	<a href="#">18-8922-22</a>	<a href="#">18-8922-27</a>	<a href="#">18-1902-57</a>	<a href="#">18-8835-01</a>
C0722-32	E	208-230/60/1	<a href="#">18-8955-22</a>	Internal	<a href="#">18-1902-67</a>	<a href="#">18-8835-01</a>
C0722-6	A-D	230/50	<a href="#">18-8922-26</a>	<a href="#">18-8922-28</a>	<a href="#">18-1902-71</a>	<a href="#">18-8835-01</a>
C0722-6	E	230/50	<a href="#">18-8955-26</a>	Internal	<a href="#">18-1902-63</a>	<a href="#">18-8835-01</a>

Model	Series	Bolt	Washer	Grommet	Sleeve
C0322, C0522	A-E	<a href="#">03-1405-20</a>	<a href="#">03-1407-07</a>	<a href="#">18-4700-28</a>	<a href="#">18-0108-41</a>
C0722	A-D	<a href="#">03-1405-20</a>	<a href="#">03-1407-07</a>	<a href="#">18-4700-28</a>	<a href="#">18-0108-41</a>
C0722	E	<a href="#">03-1405-20</a>	<a href="#">03-1407-07</a>	<a href="#">18-2200-28</a>	<a href="#">18-2200-27</a>

# C0322, C0522 and C0722 Service Parts

## Remote Condenser



Item Number	Part Number	Description
1	03-1405-08	Screw
2	02-3575-01	Fan guard
3	16-1044-01	Headmaster
4	18-8816-01	Fan blade
5	12-2651-02	Fan motor - 115 volt (ERC111 and ERC211)
6	18-8815-01	Coil

### Not Shown:

A37169-001	Leg
A37170-001	Leg brace
03-1645-01	Screw for legs
16-0850-01	Quick connect, discharge
16-0850-03	Quick connect, liquid