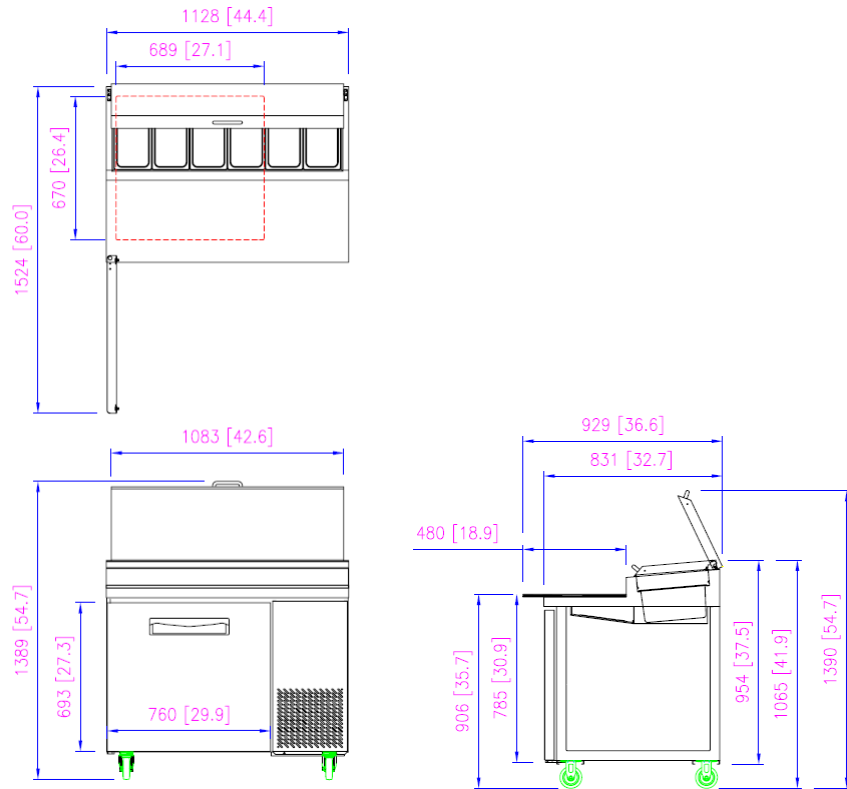


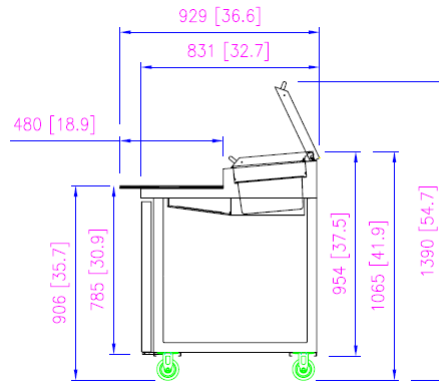
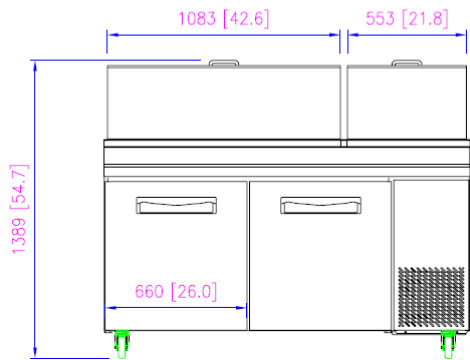
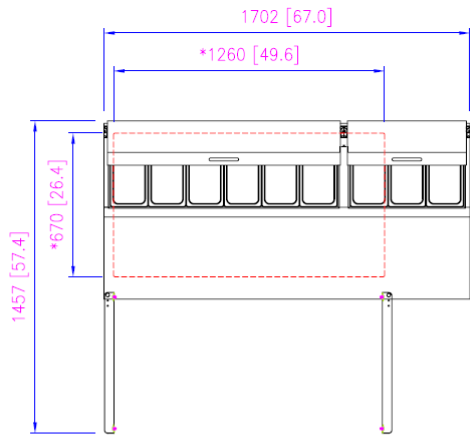
# **Pizza Table Manual**

# Model – SPT-44



1. Technical Specifications		
Amp	115V	6.5A
Connection		15 amp plug
Refrigerant	Name	R134a
	Q'ty (oz)	11.3
	Q'ty (gram)	320
	HP	3/8 HP
Compressor	Samsung	SK1A1C-L2W
2. Function Specifications		
Temp Range	°F	32°F ~ 45°F
Capacity	Cubic Feet	11.3
Climate Class		N
Max Ambient Temp	°F	89.6°F
Min Ambient Temp	°F	59°F
Castors	4"	4EA
Shelves		2EA
Doors		1EA
Max No Of Pans	Option	6(1/3")
Exterior Finish		Stainless Steel
Interior Finish		Stainless Steel
3. Sizes		
Exterior Dimensions	Width(Inches)	44.4 inch
	Depth 1(Inches)	32.7 inch
	Depth 2(Inches)	36.6 inch
	Hight(Inches)	42.4 inch
Packing Size	Width(Inches)	48.6 inch
	Depth (Inches)	36.8 inch
Total Weight	Hight (Inches)	43.7 inch
	LBS	342 lb

# Model – SPT-67



## 1. Technical Specifications

Amp	115V	6.5
Connection		15 amp plug
Refrigerant	Name	R134a
	Q'ty (oz)	12
	Q'ty (gram)	320
	HP	3/8 HP
Compressor	Samsung	SK1A1C-L2W

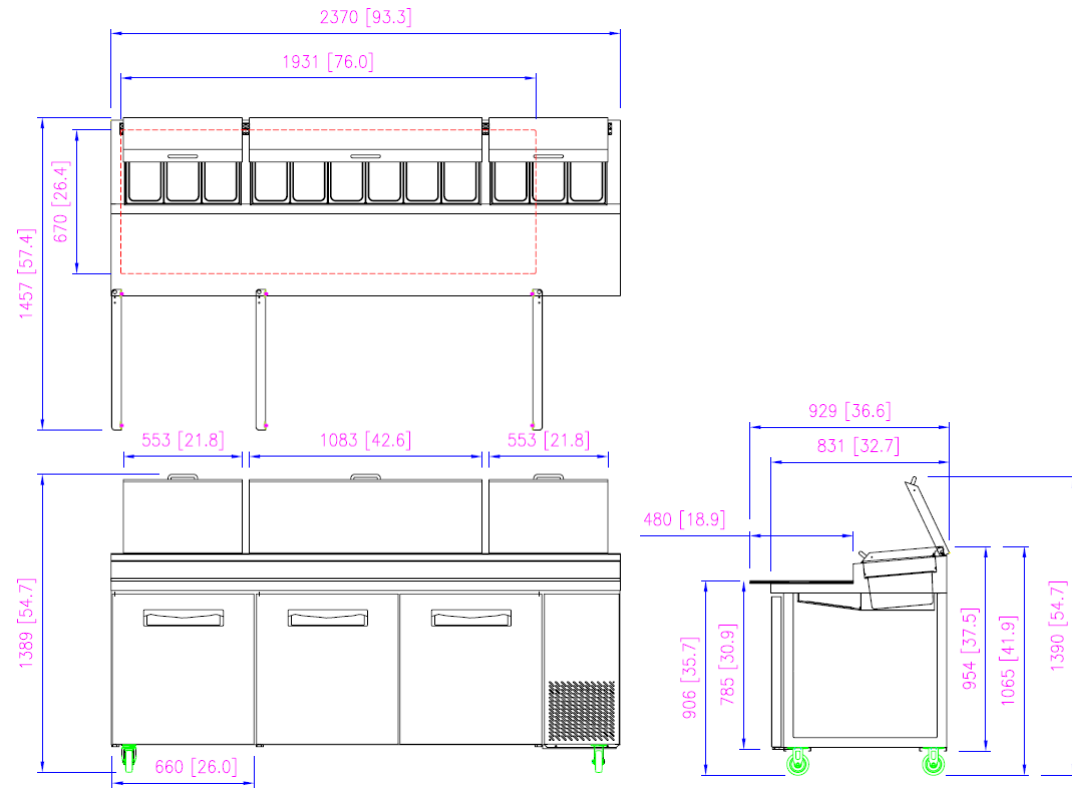
## 2. Function Specifications

Temp Range	°F	32°F ~ 45°F
Capacity	Cubic Feet	20.2
Climate Class		N
Max Ambient Temp	°F	89.6°F
Min Ambient Temp	°F	59°F
Castors	4"	4EA
Shelves		4EA
Doors		2EA
Max No Of Pans	Option	9(1/3")
Exterior Finish		Stainless Steel
Interior Finish		Stainless Steel

## 3. Sizes

Exterior Dimensions	Width(Inches)	67.1 inch
	Depth 1(Inches)	32.2 inch
	Depth 2(Inches)	36.6 inch
	Hight(Inches)	41.9inch
Packing Size	Width(Inches)	68.58 inch
	Depth (Inches)	37.44 inch
	Hight (Inches)	43.31 inch
Total Weight	LBS	430 lb

# Model – SPT-93



## 1. Technical Specifications

Amp/Watt	115V	7.5
Connection		15 amp plug
Refrigerant	Name	R404a
	Q'ty (oz)	12.7
	HP	1/2 HP
Compressor	Danfoss	SC12clx.2

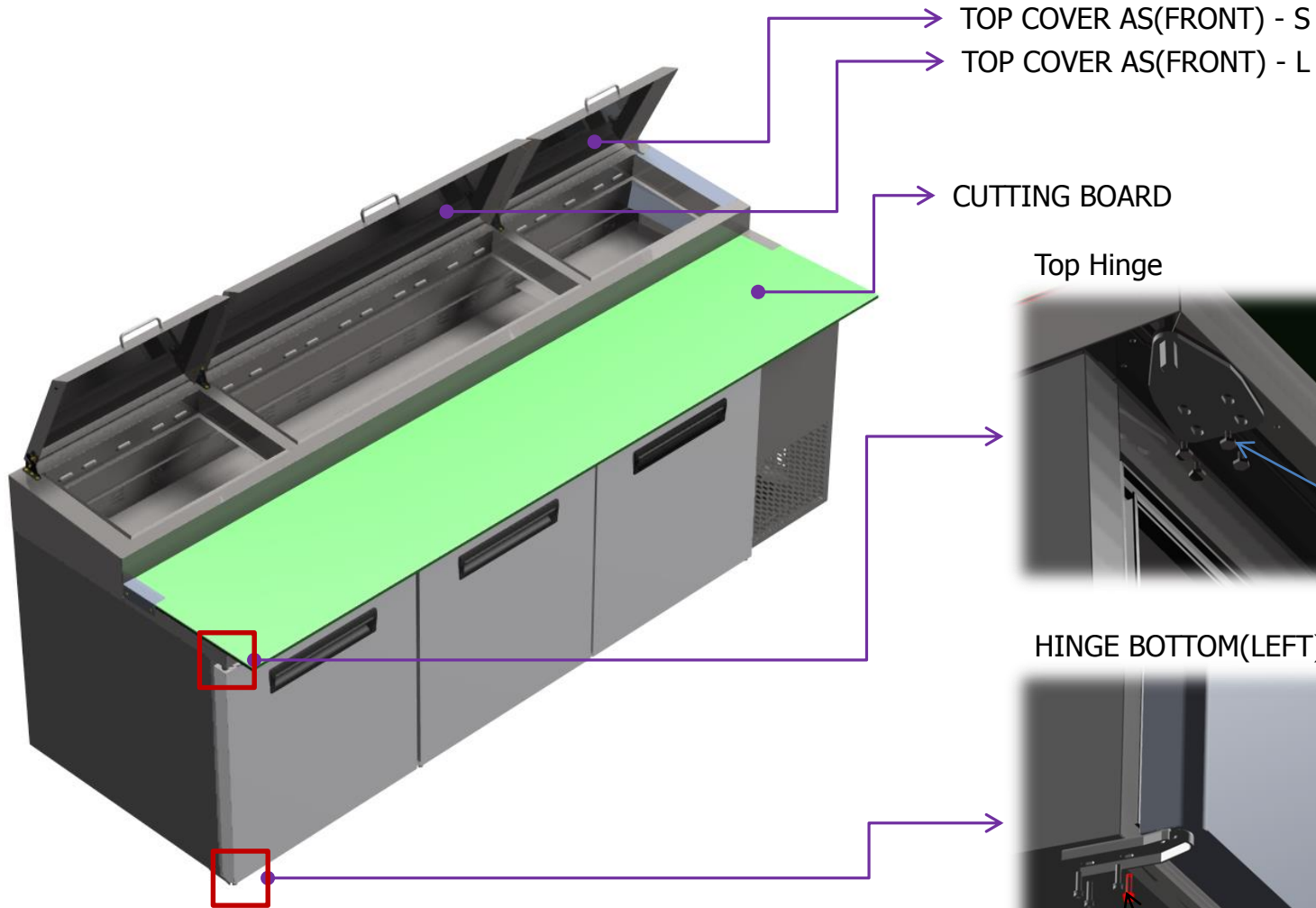
## 2. Function Specifications

Temp Range	°F	32°F ~ 45°F
Capacity	Cubic Feet	30.8
Climate Class		N
Max Ambient Temp	°F	89.6°F
Min Ambient Temp	°F	59°F
Castors	4"	4EA
Shelves		6EA
Doors		3EA
Max No Of Pans	Option	12(1/3")
Exterior Finish		Stainless Steel
Interior Finish		Stainless Steel

## 3. Sizes

Exterior Dimensions	Width(Inches)	93.3 inch
	Depth 1(Inches)	32.7 inch
	Depth 2(Inches)	36.6 inch
	Hight(Inches)	41.9inch
Packing Size	Width(Inches)	94.8 inch
	Depth (Inches)	37.4 inch
	Hight (Inches)	43.3 inch
Total Weight	LBS	567 lb

■ Pizza – Cabinet



TOP COVER AS(FRONT) - S

TOP COVER AS(FRONT) - L

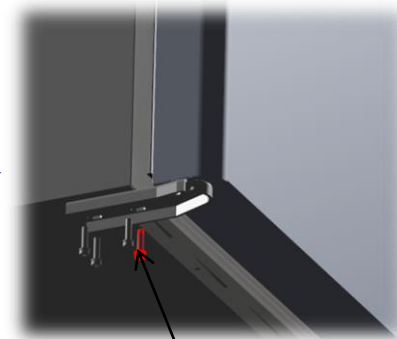
CUTTING BOARD

Top Hinge



Stainless BOLT – M5

HINGE BOTTOM(LEFT)



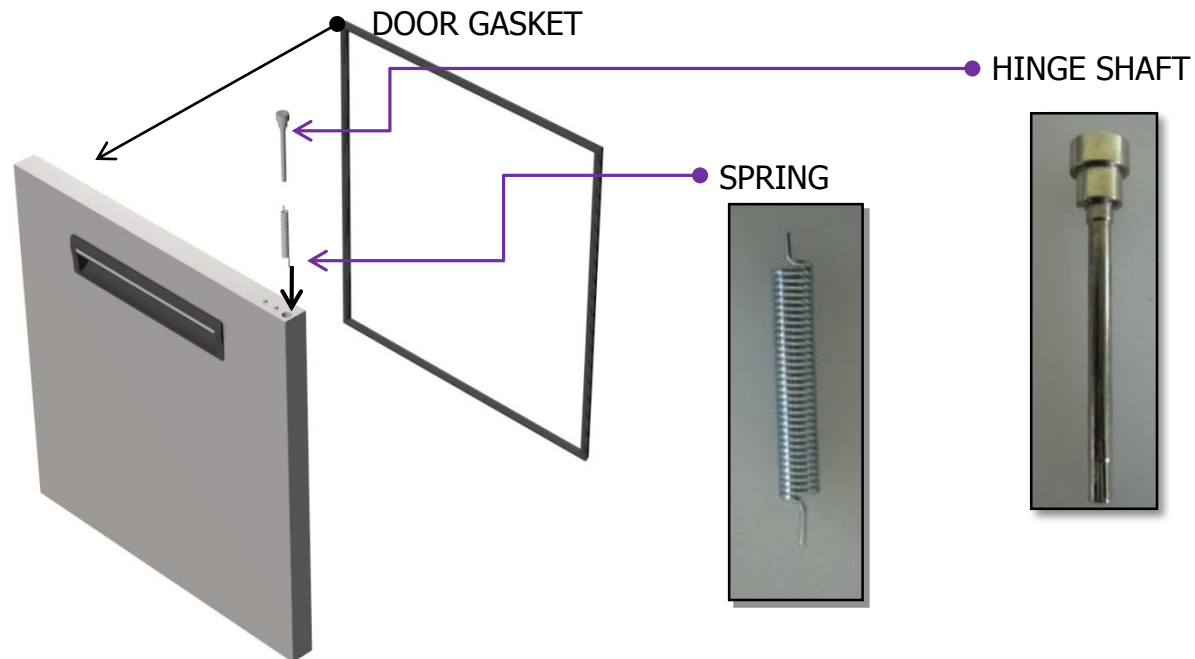
M5 screw

■ Pizza – DOOR



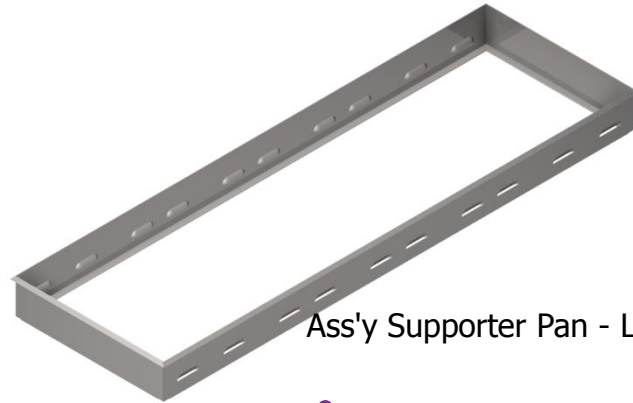
67,93 MODEL DOOR(LEFT RIGHT)

44 MODEL DOOR

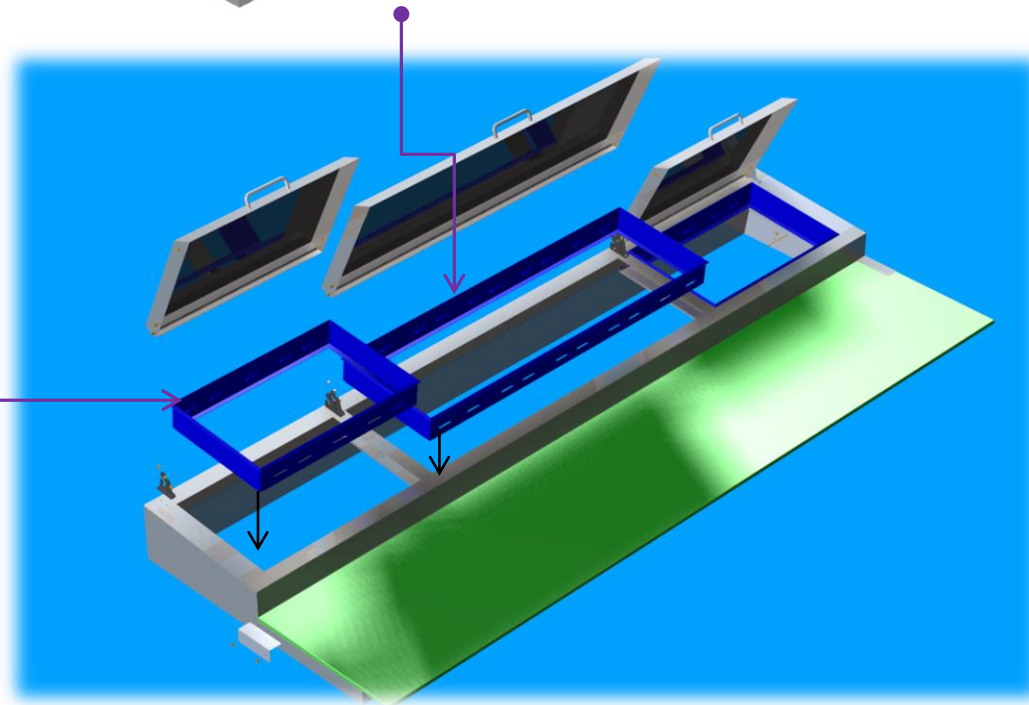


■ Pizza – Top 1

Ass'y Supporter Pan - S , P

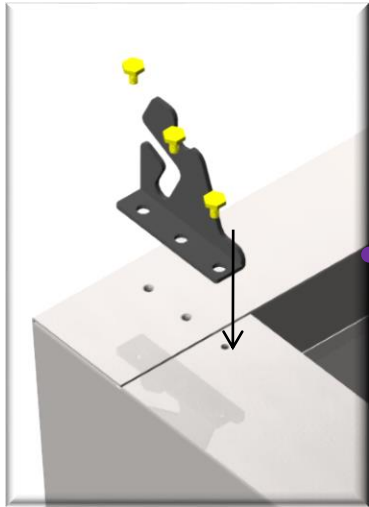


Ass'y Supporter Pan - L , P



■ Pizza – Top 2

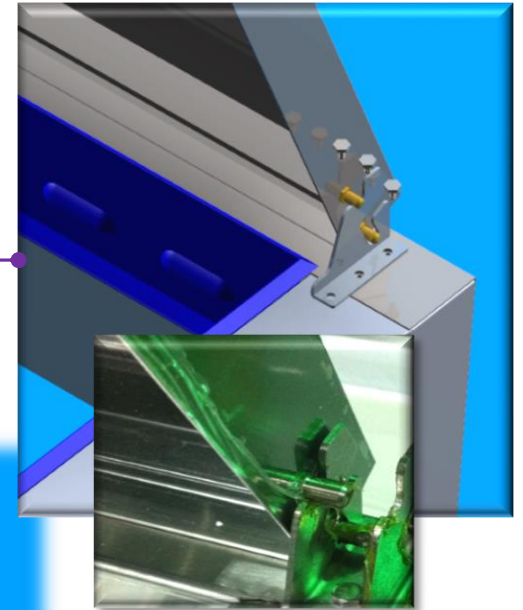
TOP COVER HINGE(LEFT)



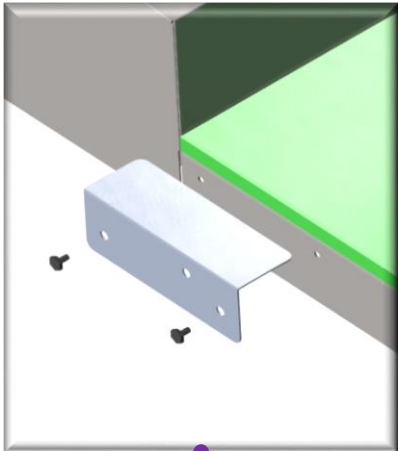
TOP COVER HINGE(Middle)



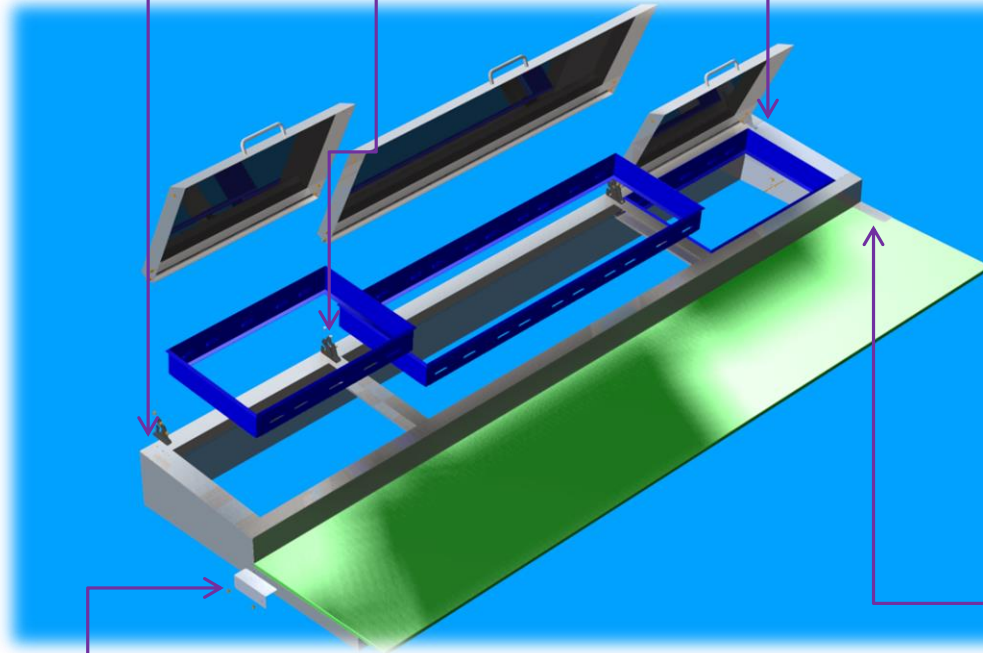
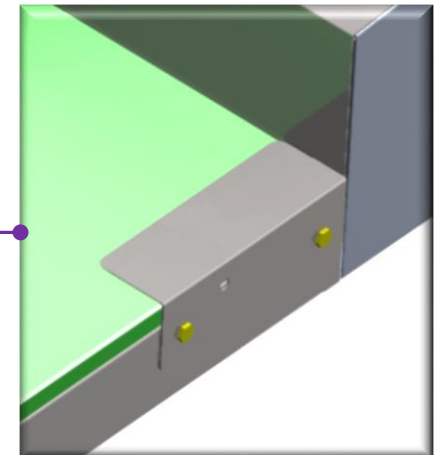
TOP COVER HINGE(RIGHT)



FIXTURE CUTTING BOARD - L

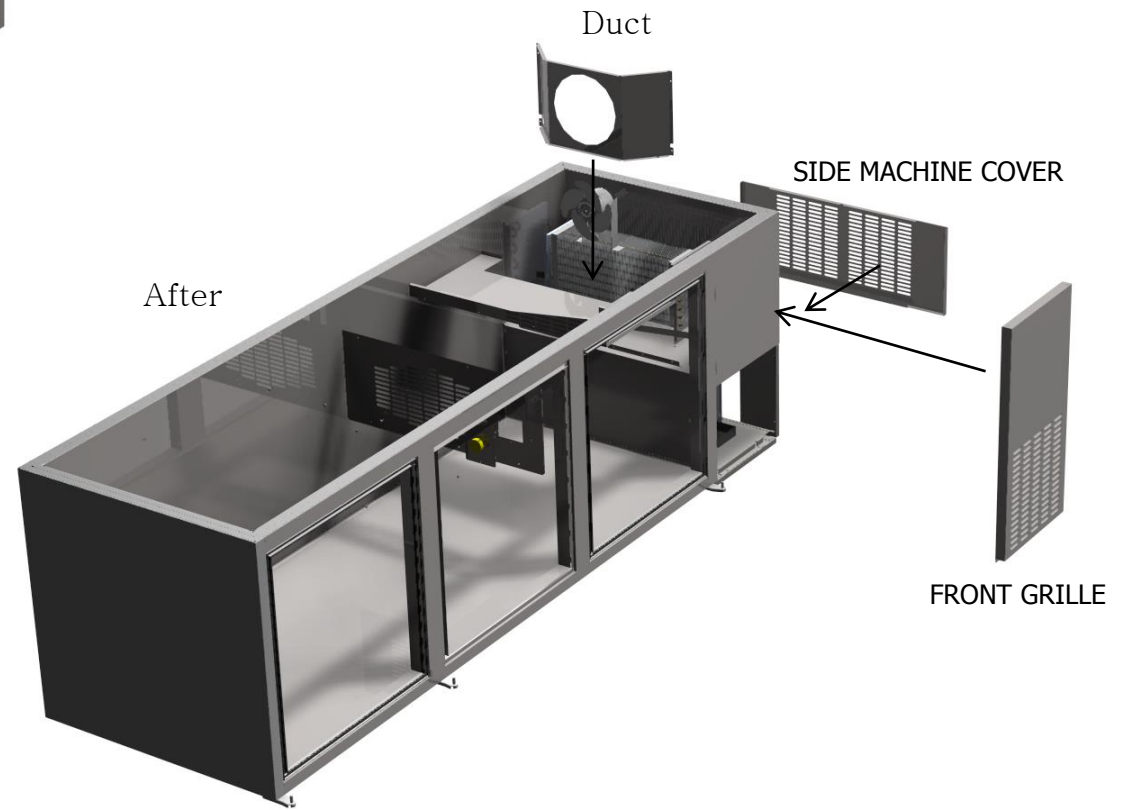


FIXTURE CUTTING BOARD - R

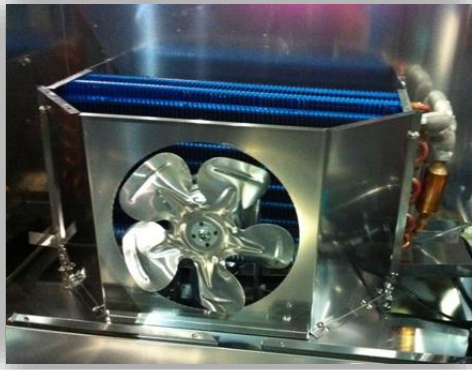


Stainless BOLT – M5

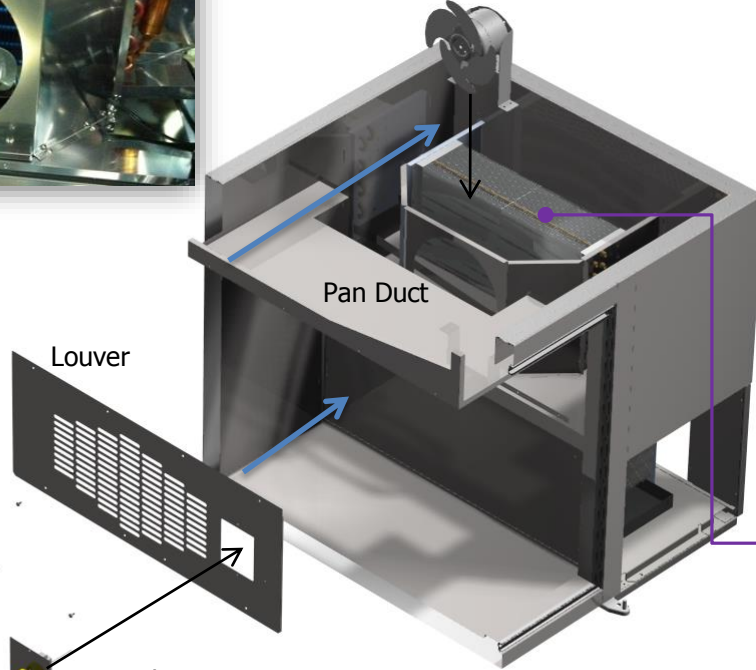
■ Pizza – Cabinet Disassemble -1



# ■ Pizza – Cabinet Disassemble 2



Evaporator Fan Motor Kit (Assembly)



Louver

Pan Duct

REF-Thermostat Kit

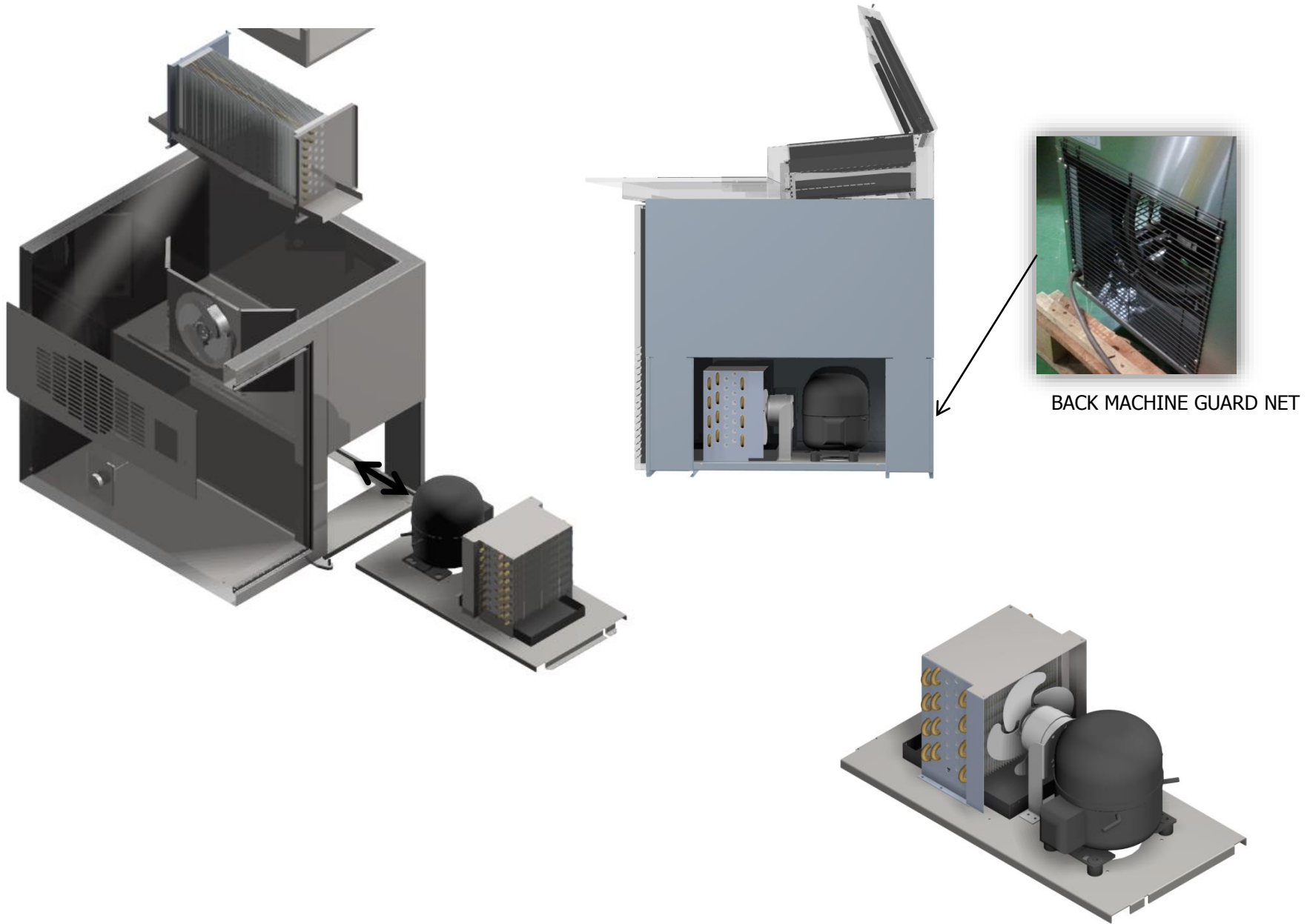
Assembled



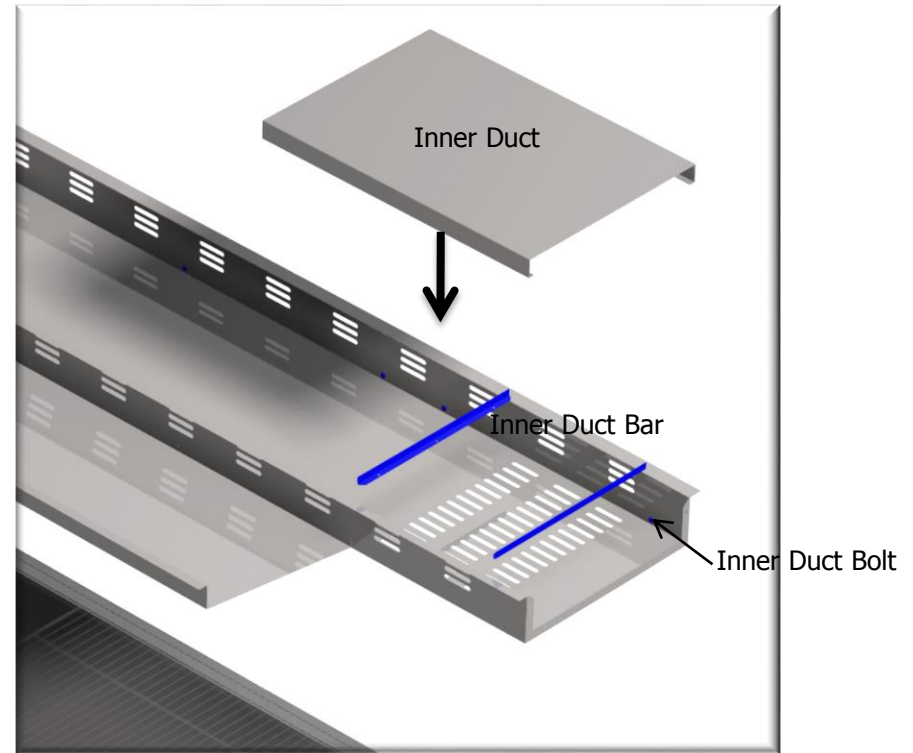
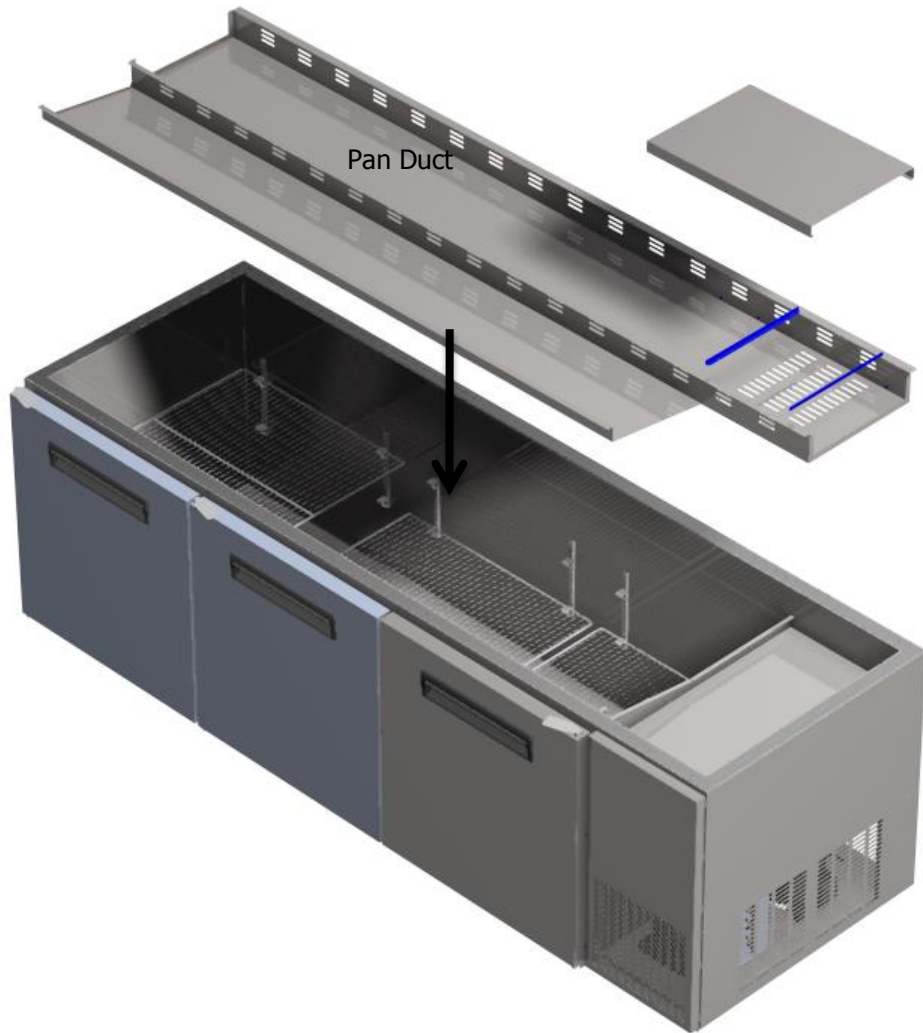
EVAPORATOR (Assembly)



■ Pizza – Machine room (Refrigeration)-1

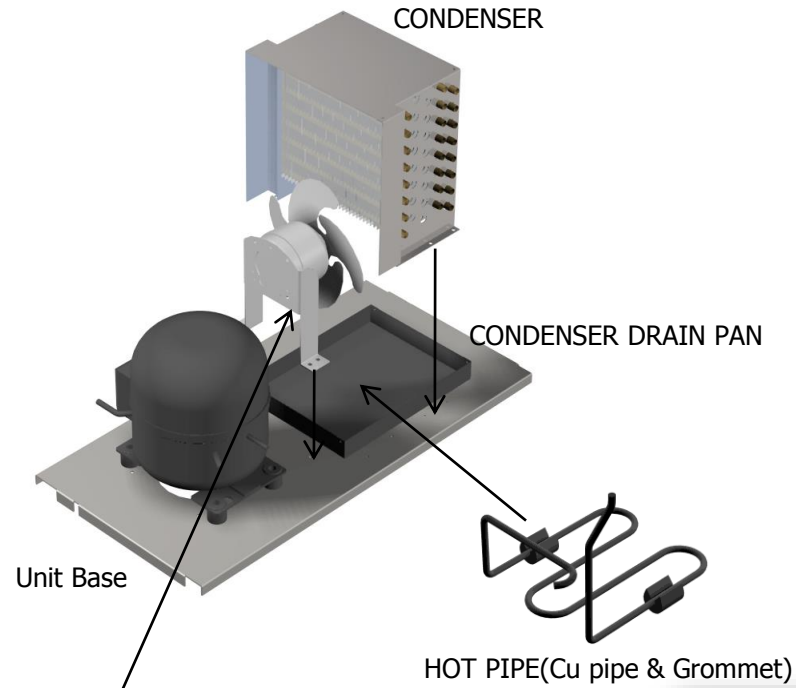


# ■ Pizza – Pan Duct Assemble Structure

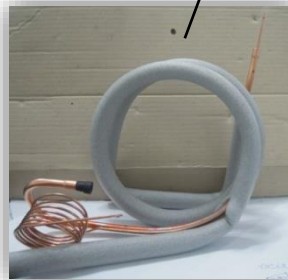


# ■ Pizza – Machine room (Composition )-2

Pizza Condensing Unit



Condenser / Evaporator Fan Motor Kit

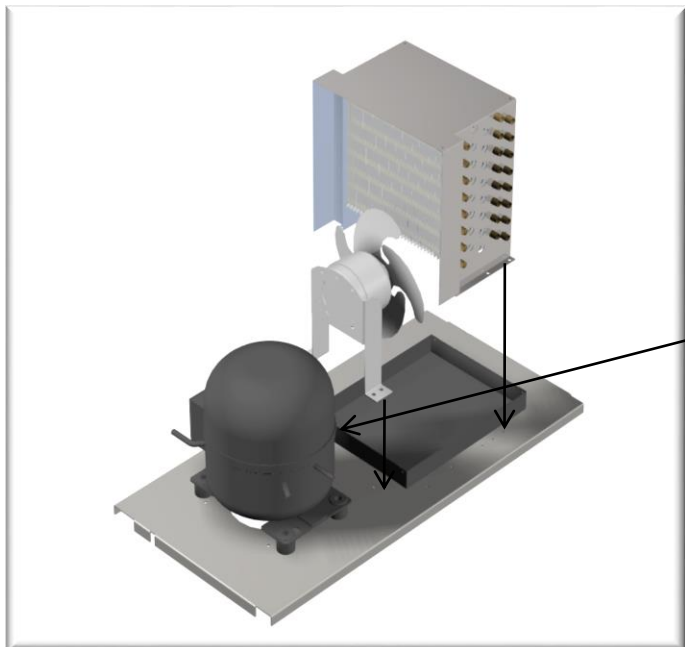


CAPILLARY & SUCTION PIPE ASSY



DRYER

# ■ Pizza – Machine room (COMPRESSOR)-3



SPT-44,67 COMPRESSOR SK1A1C-L2W



SPT-44,67 COMPRESSOR SK1A1C-L2W

PTC Relay - J531Q34E220M350-3



Overload Protector 4TM795TFBZZ-53



Running Capacitor  
250VAC-12 $\mu$ F

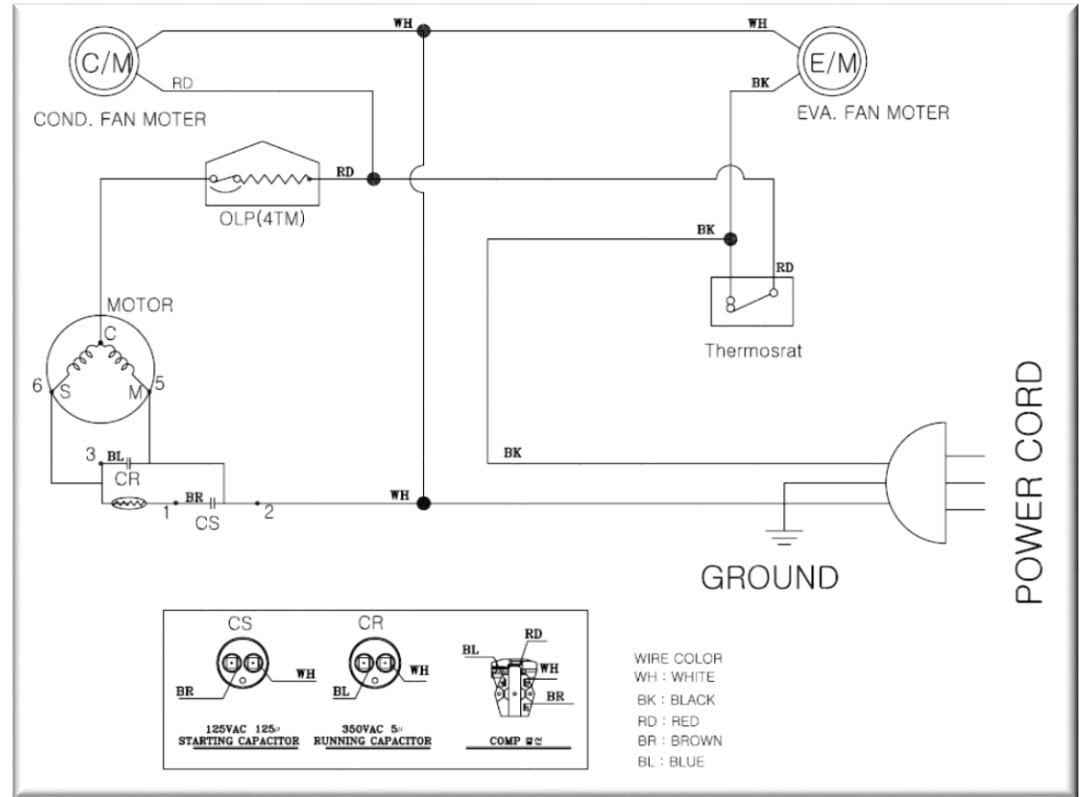
Starting Capacitor  
125VAC-125 $\mu$ F

SPT-93 COMPRESSOR Danfoss Sc12clx.2



SPT-44, SPT-67 Refrigerant	Name	R134a
	Q'ty (oz)	12
	Q'ty (gram)	320
SPT-44, SPT-67 Compressor	HP	3/8 HP
	Samsung	SK1A1C-L2W
	Tecumseh	AEA4448YXA
SPT-93 Refrigerant	Name	R404a
	Q'ty (oz)	12.7
	HP	1/2 HP
SPT-93 Compressor	Danfoss	SC12clx.2
	Tecumseh	AJA2425ZXA

# ■ Pizza – Wiring Diagram



HARNESS MAIN [SPT-44, SPT-67, SPT-93]

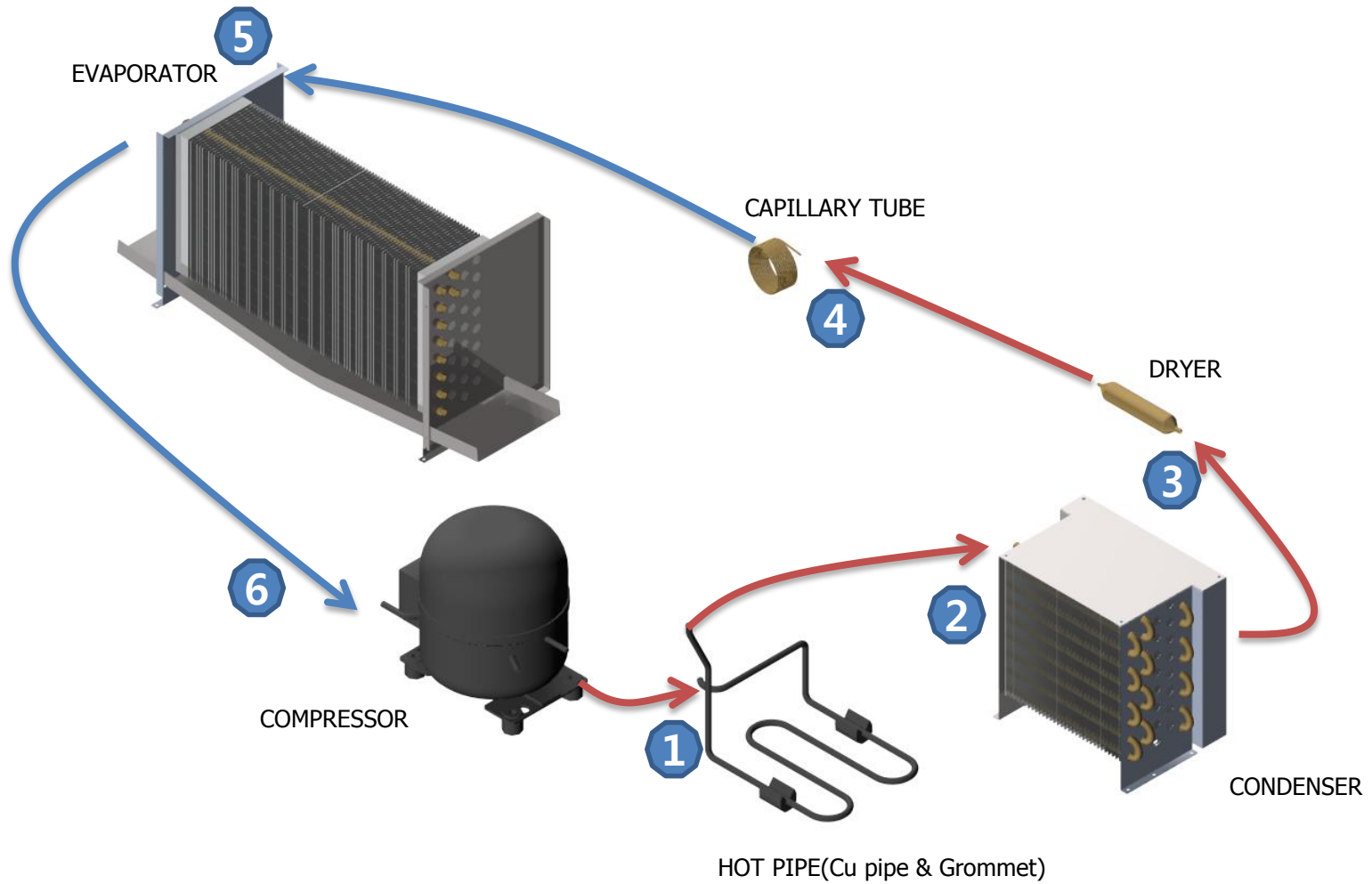


HARNESS COMP [SPT-44, SPT-67, SPT-93]



POWER CORD [SPT-44, SPT-67, SPT-93]

# ■ Pizza – Cycle diagram (Refrigeration)



■ Pizza – Air Circulation (Flow)

