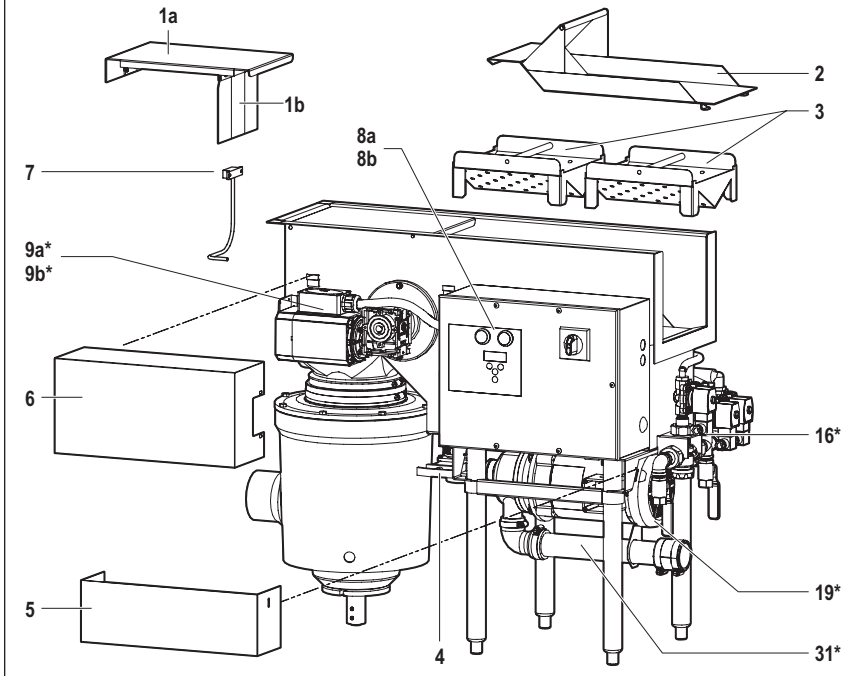


# Salvajor TroughVeyor®

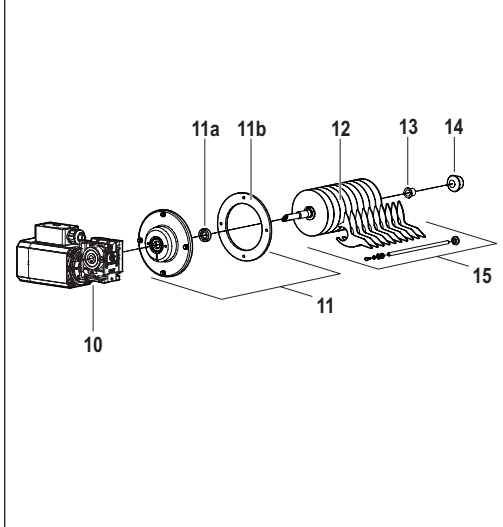
For  
Serial  
Numbers  
starting at  
5070

## PARTS BREAKDOWN for Model TVL & Model TVR (Left hand shown, Right hand similar)

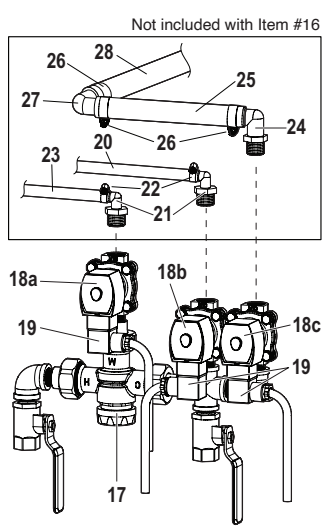
### Model TVL & TVR System Components



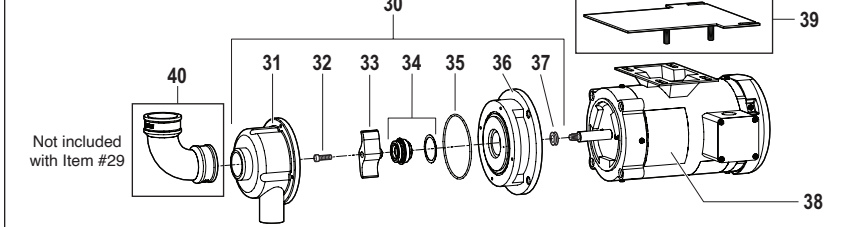
### Item #9



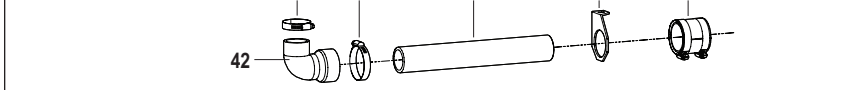
### Item #16



### Item #29



### Item #41

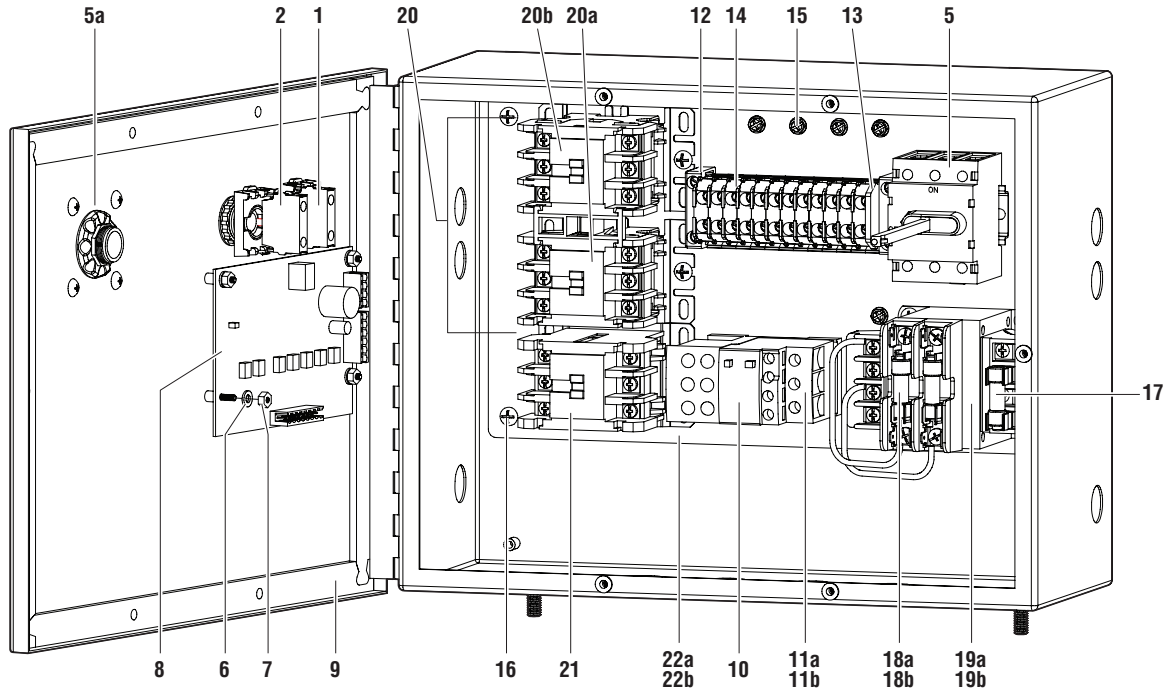


ITEM	Part No.	Description
1a	<a href="#">980114</a> (includes 1b)	Door Assembly w/Proximity Magnet
1b	<a href="#">SM47X5</a>	Rubber Door Gasket
2	<a href="#">980086</a>	Salvage Basin
3	<a href="#">980085</a>	Screen Assembly (2 pieces)
4	<a href="#">998058</a>	Drain Valve
5	<a href="#">982214</a>	Pump Cover
6	<a href="#">980147</a>	Service Cover
7	<a href="#">980558</a>	Proximity Switch Retrofit Kit
8a	<a href="#">320UL</a>	Control Panel 208-230V 3PH
8b	<a href="#">396UL</a>	Control Panel 460V 3PH
9a	<a href="#">980121R</a>	Gearmotor Assembly 208-230/460V 3PH (includes items 10-15, right hand)
9b	<a href="#">980121L</a>	Gearmotor Assembly 208-230/460V 3PH (includes items 10-15, left hand)
10	<a href="#">981002</a>	Gearmotor 208-230/460V 3PH
11	<a href="#">980060</a>	Separator Cap Assembly (includes 11a and 11b)
11a	<a href="#">995007</a>	Seal
11b	<a href="#">SM52G</a>	Gasket
12	<a href="#">980059</a>	Separator Assembly
13	<a href="#">995005</a>	Bearing
14	<a href="#">SM4RBC</a>	Bearing Carrier
15	<a href="#">980046</a>	Separator Cleaner Assembly
16	<a href="#">980191</a>	Water Harness Assembly (includes 17-19)
17	<a href="#">998124</a>	Tempering Valve
18a	<a href="#">AS8245DIN</a>	Solenoid Valve Assy 24V (5 GPM Flow Control)
18b	<a href="#">AS8242DIN</a>	Solenoid Valve Assy 24V (2 GPM Flow Control)
18c	<a href="#">AS824DIN</a>	Solenoid Valve Assy 24V (Unrestricted Quick Fill)
19	<a href="#">994395</a>	DIN Cord Pigtail
20	<a href="#">998022</a>	Water Supply 3/8" Hose - TVR 40.5", TVL 36.5" (Disposer)
21	<a href="#">998046</a>	Adaptor 3/8" 90 Deg Barb x 1/2" NPT
22	<a href="#">997001</a>	Clamp SS 1/4" to 11/16"
23	<a href="#">998022</a>	Water Supply 3/8" Hose - TVR 23.5", TVL 27" (Blended)
24	<a href="#">998132</a>	Adaptor 3/4" 90 Deg Barb x 1/2" NPT
25	<a href="#">998130</a>	Water Supply 3/4" Hose - TVR 8.5" (Quick Fill) <i>Not used on TVL Models</i>
26	<a href="#">997183</a>	Clamp SS 1/2" to 1-1/16"
27	<a href="#">998133</a>	Adaptor 3/4" Barb 90 Elbow <i>Not used on TVL Models</i>
28	<a href="#">998130</a>	Water Supply 3/4" Hose - TVR 19", TVL 21" (Quick Fill)
29	<a href="#">980077</a>	Pump and Motor Assembly 208-230/460V 3PH (includes items 31-38)
30	<a href="#">980074</a>	Pump Assembly (includes 31-37)
31	<a href="#">988010</a>	Pump Housing
32	<a href="#">997089</a>	Cap Screw (not used on 1-phase)
33	<a href="#">996027</a>	Impeller
34	<a href="#">ECK511</a>	Seal Kit
35	<a href="#">996028</a>	O-Ring
36	<a href="#">988009</a>	Pump Base
37	<a href="#">996030</a>	V-Ring
38	<a href="#">991061</a>	Pump Motor 208-230/460V 3PH
39	<a href="#">982199</a>	Tank Motor Base Bracket (sold separately)
40	<a href="#">15X90QEL</a>	Elbow 1-1/2" x 90 Rubber (sold separately)
41	<a href="#">980054</a>	Plumbing Assy TV (includes 42-47)
42	<a href="#">996019</a>	Elbow Pump Discharge (sold separately)
43	<a href="#">M32 SS</a>	Clamps
44	<a href="#">S24 SS</a>	Clamps
45	<a href="#">988017</a>	Nipple 12" PVC
46	<a href="#">TV84</a>	Discharge Pipe Support Bracket
47	<a href="#">15X15BR</a>	Coupling 1-1/2" x 1-1/2"

# Salvajor TroughVeyor®

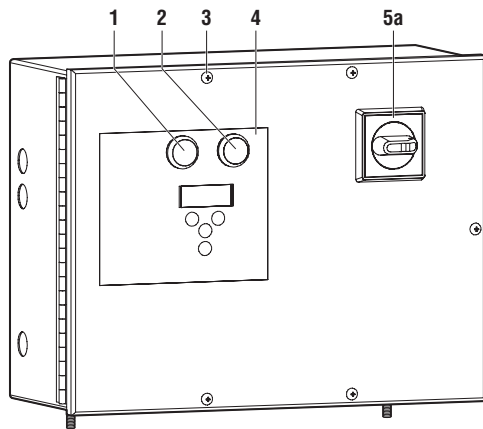
## PRE-WIRED CONTROL PANEL PARTS BREAKDOWN for Model TVL & Model TVR

### Model TVL & TVR Control Components



Item Numbers		
VOLTAGE	PHASE	ITEM NO.
208 or 230	3	320UL
460	3	396UL

### Control Box Assembly



### ITEM PART NO. DESCRIPTION

ITEM	PART NO.	DESCRIPTION
1	<a href="#">ABD100B</a>	Start Button Assembly
2	<a href="#">ABD200A</a>	Stop Button Assembly
3	<a href="#">997032</a>	Screw 10-32 x 5/8"
4	<a href="#">999235</a>	Hydrologic Overlay
5	<a href="#">994177</a>	Line Disconnect Assembly (includes 5a)
5a	<a href="#">984016</a>	Line Disconnect Handle (included with <a href="#">994177</a> )
6	<a href="#">997161</a>	Flat Washer 6-32
7	<a href="#">997160</a>	Hex Nut 6-32
8	<a href="#">994392</a>	Solid State Control Panel
9	<a href="#">12155GA</a>	Gasket Assembly 12" x 15.5" (4 Pc.)
10	<a href="#">994123</a>	Overload Mounting Base
11a	<a href="#">994291</a>	Overload .73 Amps (for 208-230V 3PH)
11b	<a href="#">994108</a>	Overload .4 Amps (for 460V 3PH)
12	<a href="#">994294</a>	End Block for Terminal Strip
13	<a href="#">994293</a>	End Barrier for Terminal Strip
14	<a href="#">994292</a>	Terminal Block for Terminal Strip
15	<a href="#">SCR1032</a>	Ground Screw 10-32
16	<a href="#">997093</a>	Screw 10-32 x 3/8"
17	<a href="#">994397</a>	Secondary Fuse 3 Amp
18a	<a href="#">994095</a>	Fuse 1 Amp (for 208-230V 3PH, 2 required)
18b	<a href="#">994112</a>	Fuse 1/2 Amp (for 460V 3PH, 2 required)
19a	<a href="#">994115C</a>	Transformer with 208-230V 3PH (with fuses)
19b	<a href="#">994115D</a>	Transformer with 460V 3PH (with fuses)
20	<a href="#">994380</a>	Contactors 24V Assembly (includes 20a & 20b)
20a	<a href="#">994174</a>	Contactors 24V
20b	<a href="#">994302</a>	Interlock Mechanical
21	<a href="#">994174</a>	Contactors 24V
22a	007ULIP	Inner Panel SS System 208-230V 3PH (incls all electrical components)
22b	009ULIP	Inner Panel SS System 460V 3PH (incls all electrical components)

# SALVAJOR®

4530 East 75th Terrace Kansas City, MO 64132-2081, USA  
 Toll Free: 1.888.725.8256 | Fax: 1.800.832.9373  
 service@salvajor.com | www.salvajor.com