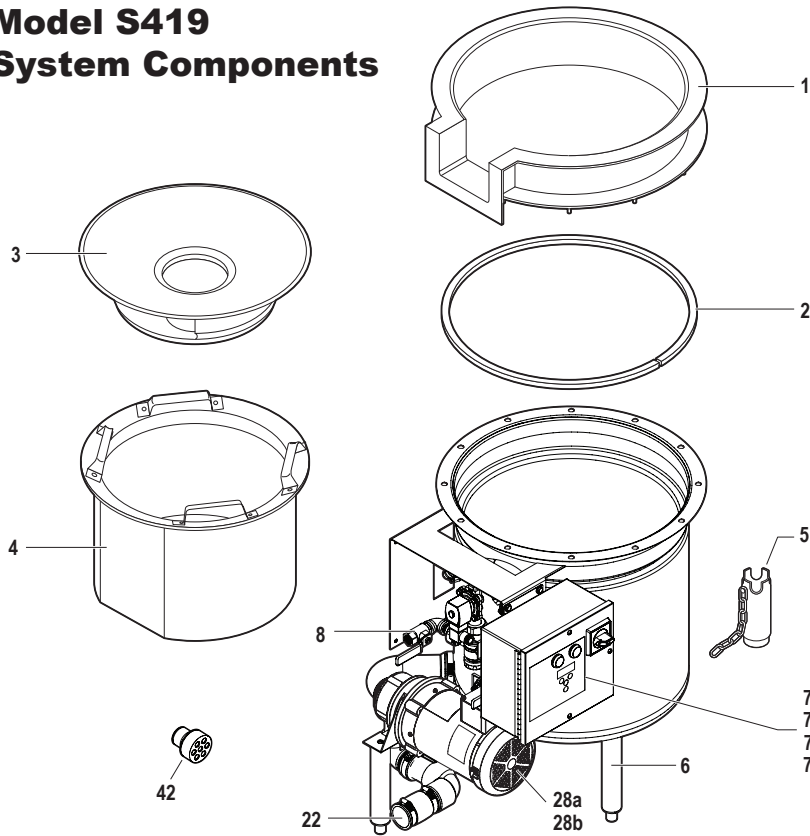


Salvajor Trough Collector

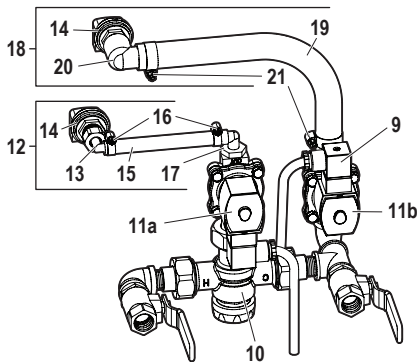
For Serial Numbers
starting at 26606

PARTS BREAKDOWN for Model S419

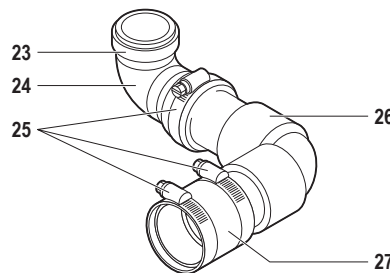
Model S419 System Components



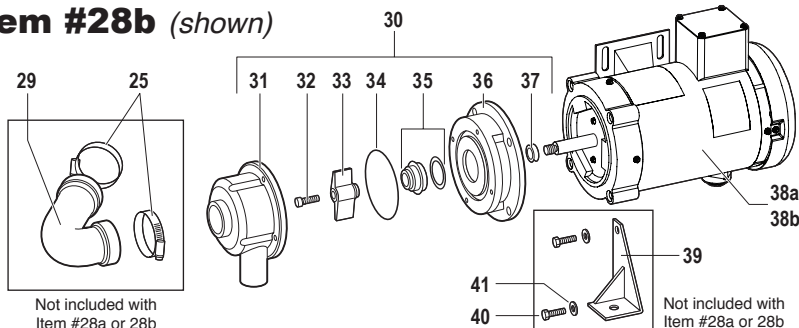
Item #8



Item #22



Item #28a Item #28b (shown)



ITEM PART NO. DESCRIPTION

ITEM	PART NO.	DESCRIPTION
1	980169	S419 Top Assembly
2	996058	Top Gasket
3	992011	Salvage Basin
4	992013	Scrap Basket
5	988006	Overflow Pipe Assembly
6	914LESS	Stainless Steel Leg
7a	SS334	Control Panel 115V 1PH
7b	SS335	Control Panel 208-230V 1PH
7c	SS337	Control Panel 208-230V 3PH
7d	SS339	Control Panel 460V 3PH
8	980192	Water Harness 24V Assy (Includes 9-21)
9	994395	Din Cord Pigtail
10	998124	Water Blender (Only)
11a	AS8242DIN	Solenoid Valve Assy 24V (2 GPM Flow Control)
11b	AS824DIN	Solenoid Valve Assy 24V (Unrestricted Quick Fill)
12	980159	Nozzle Assembly SC/PC/TC (Includes 13-17)
13	998113	3/8" Nylon Elbow
14	2906	Fixed Nozzle
15	998022	3/8" Braided Tubing
16	997001	Hose Clamp
17	998046	Adaptor 3/8" X 1/2" 90 Deg Hose
18	980197	Quick Fill Nozzle Assy (Includes 14, 19-21)
19	988040	3/4" Braided Tubing
20	998136	Female 1/2" NPT 90 deg 3/4" Barb
21	997183	1-1/16" Hose Clamp
22	988026	Pump Plumbing Assembly (Includes 23-27)
23	S24	Hose Clamp
24	996019	Rubber Elbow Discharge
25	M32	Hose Clamp
26	988025	Elbow Assembly
27	15X15BR	Coupling 1-1/2" X 1-1/2"
28a	980076	Pump and Motor Assy 1PH (Includes 31-38)
28b	980077	Pump and Motor Assy 3PH (Includes 31-38)
29	996034	Elbow 125 Degree Rubber (Sold separately)
30	980074	Pump Assembly (Includes 31-37)
31	988010	Pump Housing
32	997089	Cap Screw (Not used on 1-phase)
33	996027	Impeller
34	996028	O-Ring
35	ECK511	Seal Kit
36	988009	Pump Base
37	996030	V-Ring
38a	991060	Pump Motor 1PH
38b	991061	Pump Motor 3PH (Shown)
39	980157	Leg Bracket (Sold separately)
40	997061	Screw 3/8" (Sold separately)
41	38L	Lockwasher (Sold separately)
42	980110	Pump Intake Screen

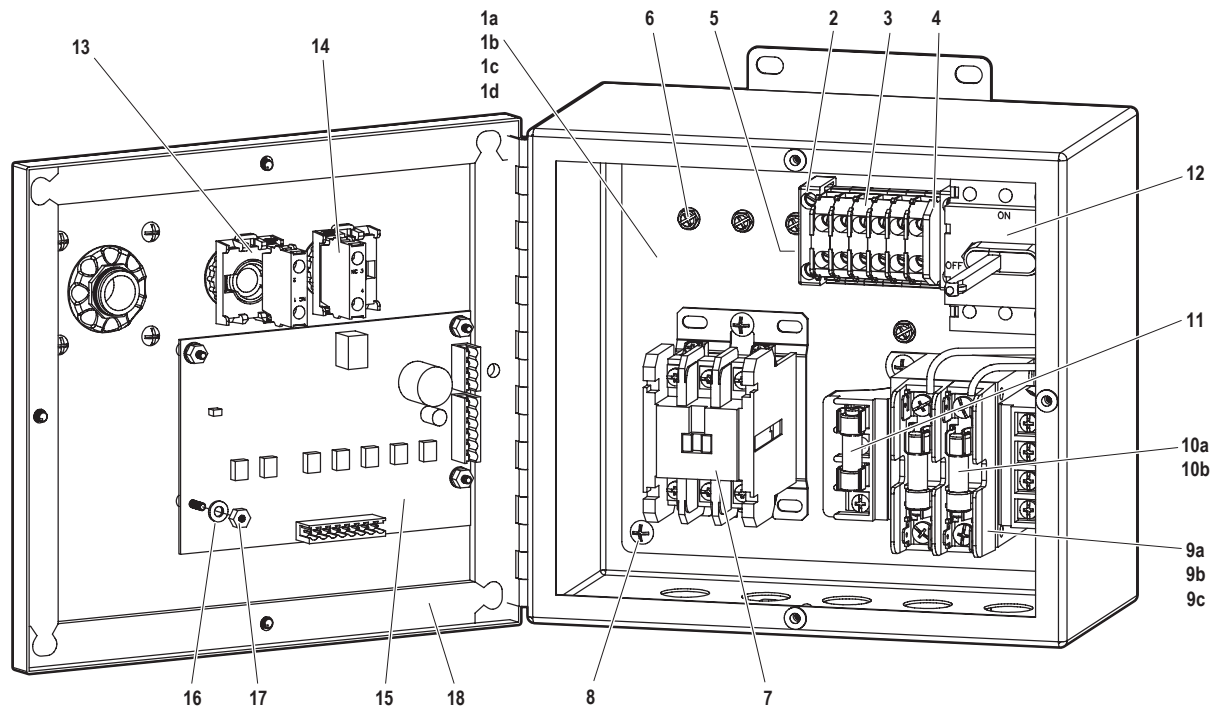
SALVAJOR®

4530 East 75th Terrace Kansas City, MO 64132-2081, USA
Toll Free: 1.888.725.8256 | Fax: 1.800.832.9373
service@salvajor.com | www.salvajor.com

Salvajor Model SS33

Automatic Start/Stop with Line Disconnect

PRE-WIRED CONTROL PANEL PARTS BREAKDOWN

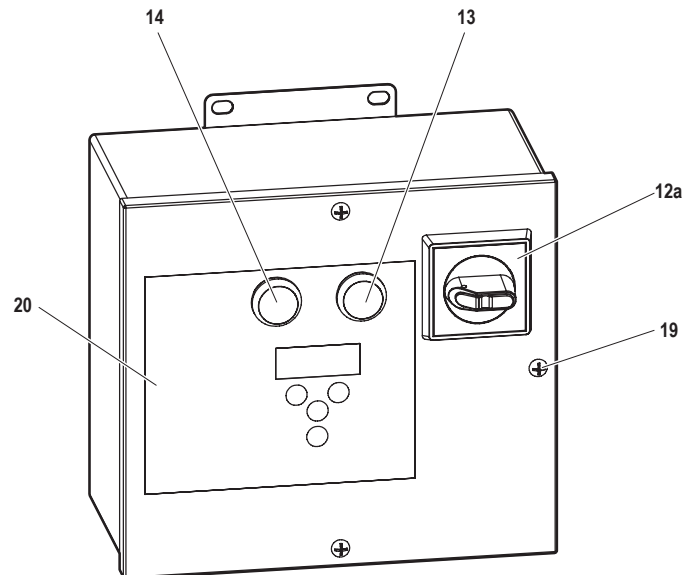


SS33 Item Numbers

VOLTAGE	PHASE	ITEM NO.
115	1	SS334
208 or 230	1	SS335
208 or 230	3	SS337
460	3	SS339

ITEM	PART NO.	DESCRIPTION
1a	SS334IP	SS33 Inner Panel 115V 1PH
1b	SS335IP	SS33 Inner Panel 208V 1PH
1c	SS337IP	SS33 Inner Panel 208-230V 3PH
1d	SS339IP	SS33 Inner Panel 460V 1PH
2	994294	End Clamp
3	994292	Terminal Block
4	994293	End Barrier
5	994295	Din Rail Mounting Track
6	SCR1032	Ground Screw 10-32
7	994174	Contactors 24V
8	997093	Screw 10-32 X 3/8"
9a	994116A	Transformer Assembly 115V
9b	994115A	Transformer Assembly 208-230V
9c	994115B	Transformer Assembly 460V
10a	994095	Fuse 1 AMP
10b	994122	Fuse .5 AMP
11	994101	Fuse 2 AMP
12	980209	Line Disconnect Assembly (Includes 12a)
12a	984016	Line Disconnect (Handle Only)
13	ABD200A	Button Stop
14	ABD100B	Button Start
15	994392	Solid State Control Panel
16	997161	Flat Washer 6-32
17	997160	Hex Nut 6-32
18	910GA	Gasket Assembly 9 X 10 Box
19	997032	Screw 10-32 X 5/8"
20	999235	Hydrologic Overlay

10" x 9" Box Assembly



SALVAJOR

4530 East 75th Terrace Kansas City, MO 64132-2081, USA
 Toll Free: 1.888.725.8256 | Fax: 1.800.832.9373
 service@salvajor.com | www.salvajor.com

Printed in USA
 Form No. TC/COL 26606 (04-18)