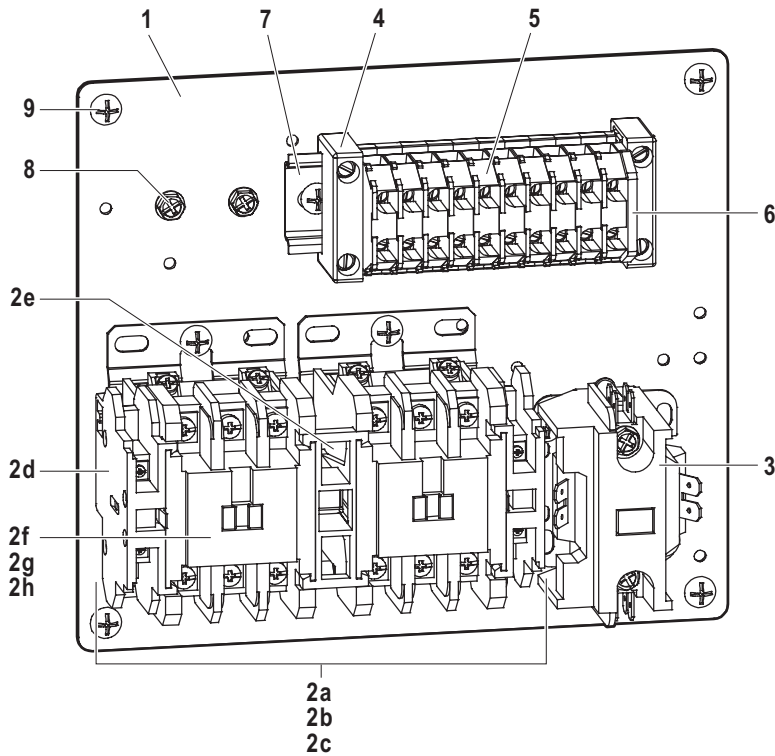


# Salvajor Model **MRSS**

## Manual Reversing

### PRE-WIRED CONTROL PANEL PARTS BREAKDOWN

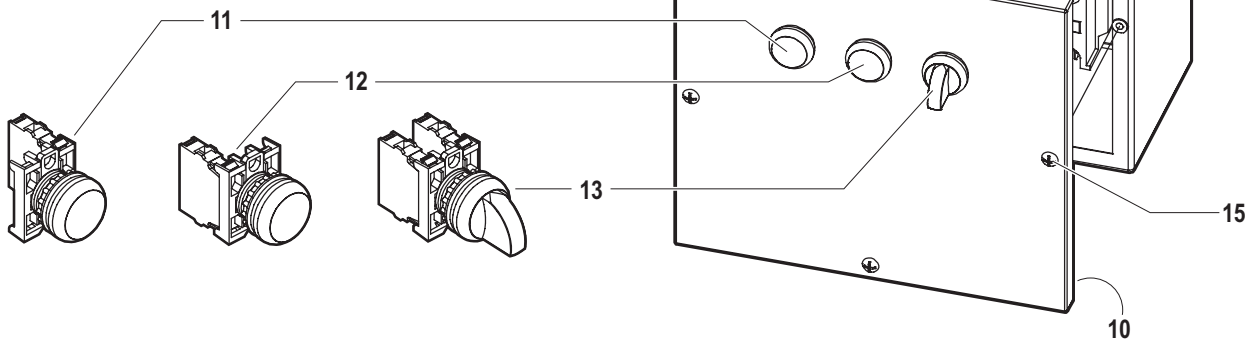


ITEM	PART NO.	DESCRIPTION
1	910IP	INNER PANEL MRSS
2a	994305	CONTACT ASSEMBLY 115V
2b	994306	CONTACT ASSEMBLY 208-230V
2c	994307	CONTACT ASSEMBLY 460V
2d	994299	AUXILIARY CONTACT (Incl. with 2a, 2b, or 2c)
2e	994302	MECHANICAL INTERLOCK (Incl. with 2a, 2b, or 2c)
2f	994006	CONTACTOR 115V (Incl. with 2a, 2b, or 2c)
2g	994007	CONTACTOR 208-230V (Incl. with 2a, 2b, or 2c)
2h	994008	CONTACTOR 460V (Incl. with 2a, 2b, or 2c)
3	994406	CONTACTOR 208-230V SECONDARY 1 POLE (For 208-230V 1PH only)
4	994294	END CLAMP
5	994292	TERMINAL BLOCK
6	994293	END BARRIER
7	994005	DIN RAIL MOUNTING TRACK
8	SCR1032	GROUND SCREW 10-32
9	997093	SCREW 10-32 X 3/8
10	910GA	LID GASKET ASSEMBLY
11	ABD100B	BUTTON START
12	ABD200A	BUTTON STOP
13	980141	SELECTOR SWITCH
14	910BA3	9 x 10 BOX ASSEMBLY
15	997032	SCREW 10-32 X 5/8

(Model **MRSS-LD** on other side)

MRSS Item Numbers		
VOLTAGE	PHASE	ITEM NO.
115	1	MRSS4
208 or 230	1	MRSS5
208 or 230	3	MRSS7
460	3	MRSS9

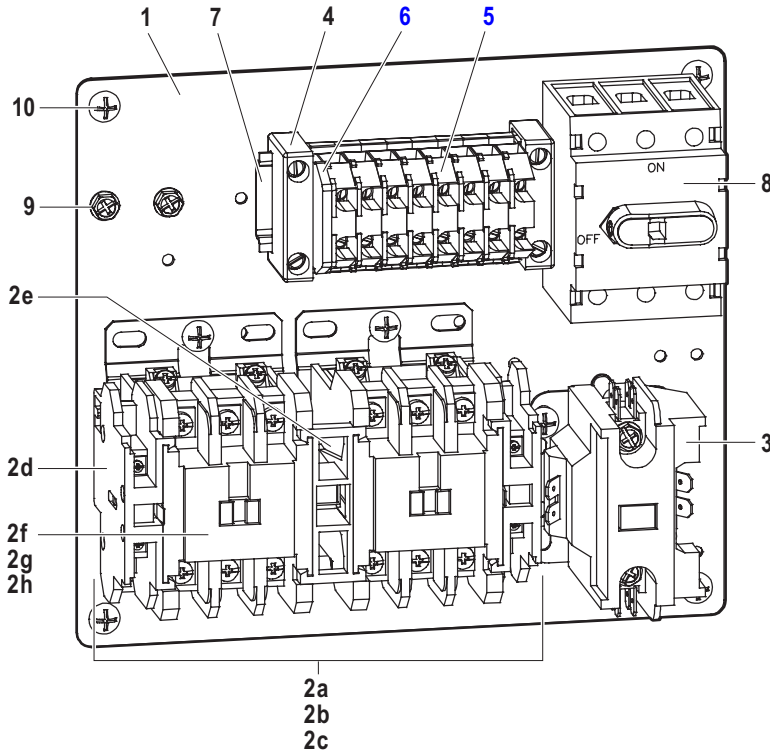
### 10" x 9" Box Assembly



# Salvajor Model **MRSS-LD**

## Manual Reversing with Line Disconnect

### PRE-WIRED CONTROL PANEL PARTS BREAKDOWN

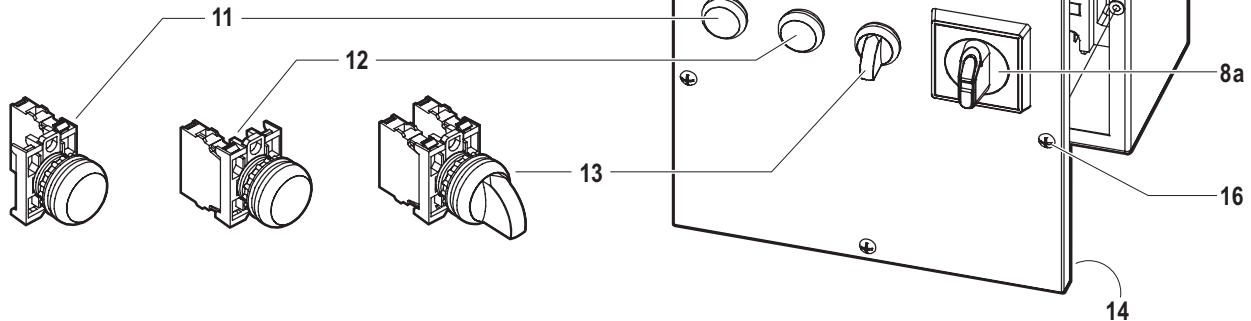


ITEM	PART NO.	DESCRIPTION
1	910IP	INNER PANEL MRSSLD
2a	994305	CONTACT ASSEMBLY 115V
2b	994306	CONTACT ASSEMBLY 208-230V
2c	994307	CONTACT ASSEMBLY 460V
2d	994299	AUXILIARY CONTACT (Incl. with 2a, 2b, or 2c)
2e	994302	MECHANICAL INTERLOCK (Incl. with 2a, 2b, or 2c)
2f	994006	CONTACTOR 115V (Incl. with 2a, 2b, or 2c)
2g	994007	CONTACTOR 208-230V (Incl. with 2a, 2b, or 2c)
2h	994008	CONTACTOR 460V (Incl. with 2a, 2b, or 2c)
3	994406	CONTACTOR 208-230V SECONDARY 1 POLE (For 208-230V 1PH only)
4	994294	END CLAMP
5	994292	TERMINAL BLOCK
6	994293	END BARRIER
7	994005	DIN RAIL MOUNTING TRACK
8	994177	LINE DISCONNECT ASSEMBLY (Includes 8a)
8a	984016	LINE DISCONNECT HANDLE
9	SCR1032	GROUND SCREW 10-32
10	997093	SCREW 10-32 X 3/8
11	ABD100B	BUTTON START
12	ABD200A	BUTTON STOP
13	980141	SELECTOR SWITCH
14	910GA	LID GASKET ASSEMBLY
15	910BA3LD	9 x 10 BOX ASSEMBLY
16	997032	SCREW 10-32 X 5/8

(Model MRSS on other side)

MRSS-LD Item Numbers		
VOLTAGE	PHASE	ITEM NO.
115	1	MRSSLD4
208 or 230	1	MRSSLD5
208 or 230	3	MRSSLD7
460	3	MRSSLD9

#### 10" x 9" Box Assembly



# SALVAJOR

4530 East 75th Terrace Kansas City, MO 64132-2081, USA  
 Service: 1.888.725.8256 | Fax: 1.800.832.9373  
 service@salvajor.com | www.salvajor.com

Printed in USA  
 Form No. MRSSPB (04-18)