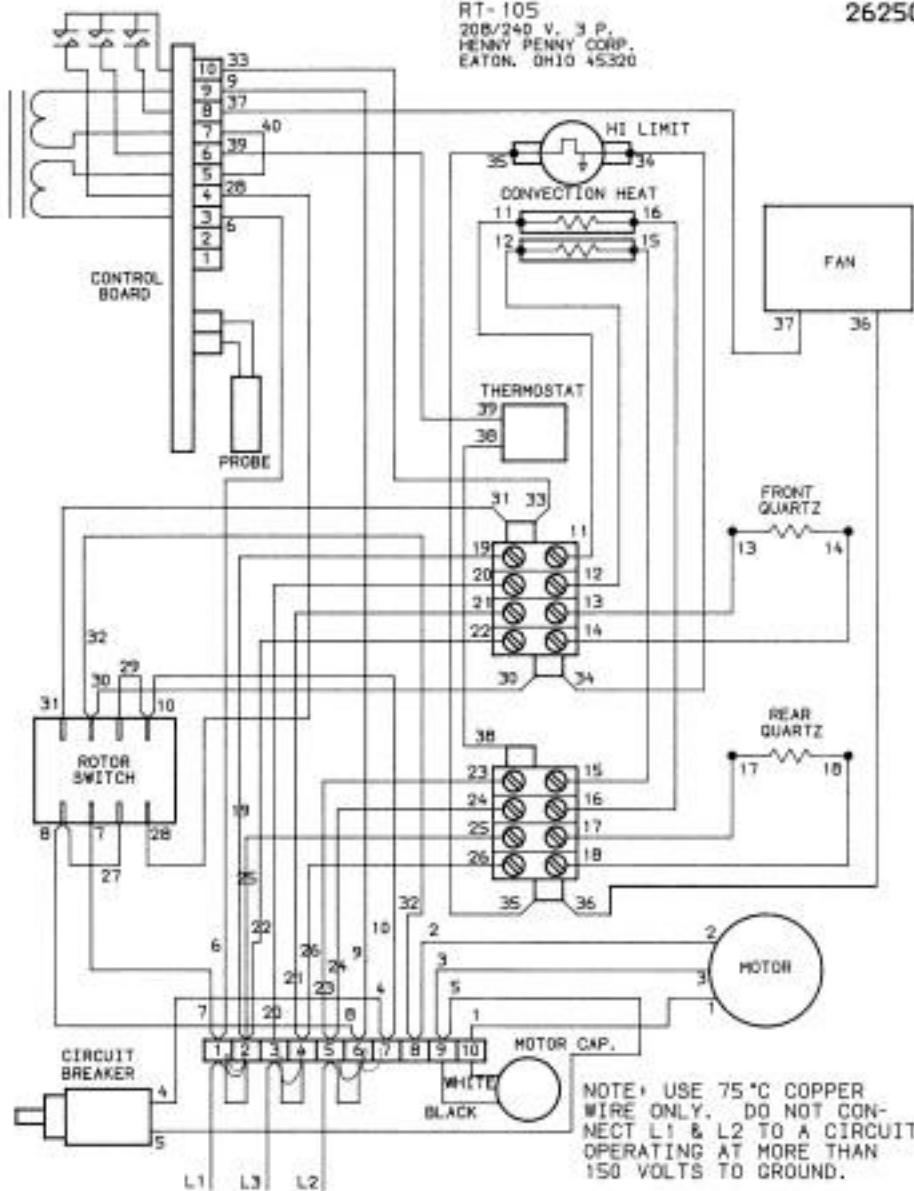


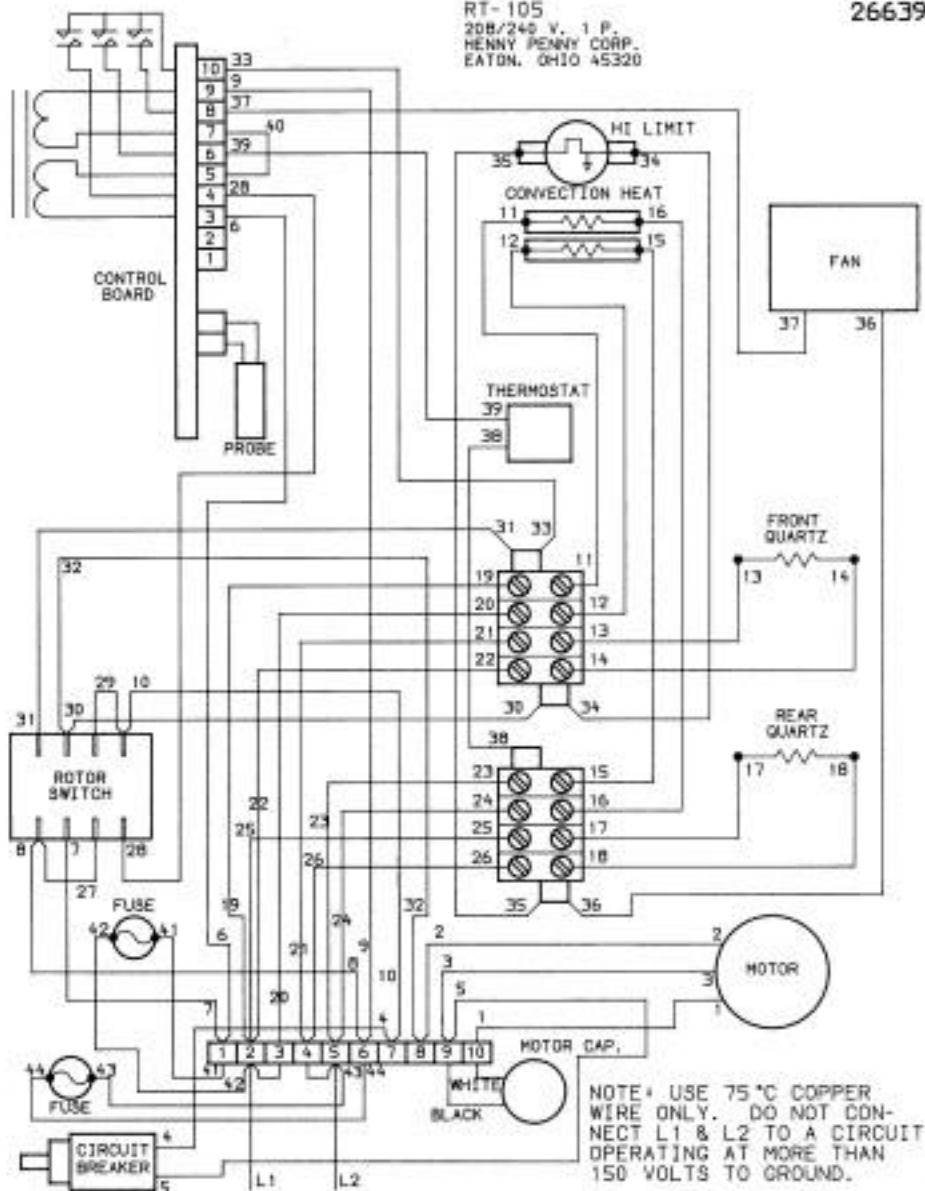
RT-105  
 208/240 V., 3 P.  
 PENNY PENNY CORP.  
 EATON, OHIO 45320

26250



NOTE: USE 75°C COPPER WIRE ONLY. DO NOT CONNECT L1 & L2 TO A CIRCUIT OPERATING AT MORE THAN 150 VOLTS TO GROUND.

RT-105  
 208/240 V., 1 P.  
 HENNY PENNY CORP.  
 EATON, OHIO 45320





NOTE\* USE 75°C COPPER WIRE ONLY. DO NOT CONNECT L1 & L2 TO A CIRCUIT OPERATING AT MORE THAN 150 VOLTS TO GROUND.

CONTROL BOARD

