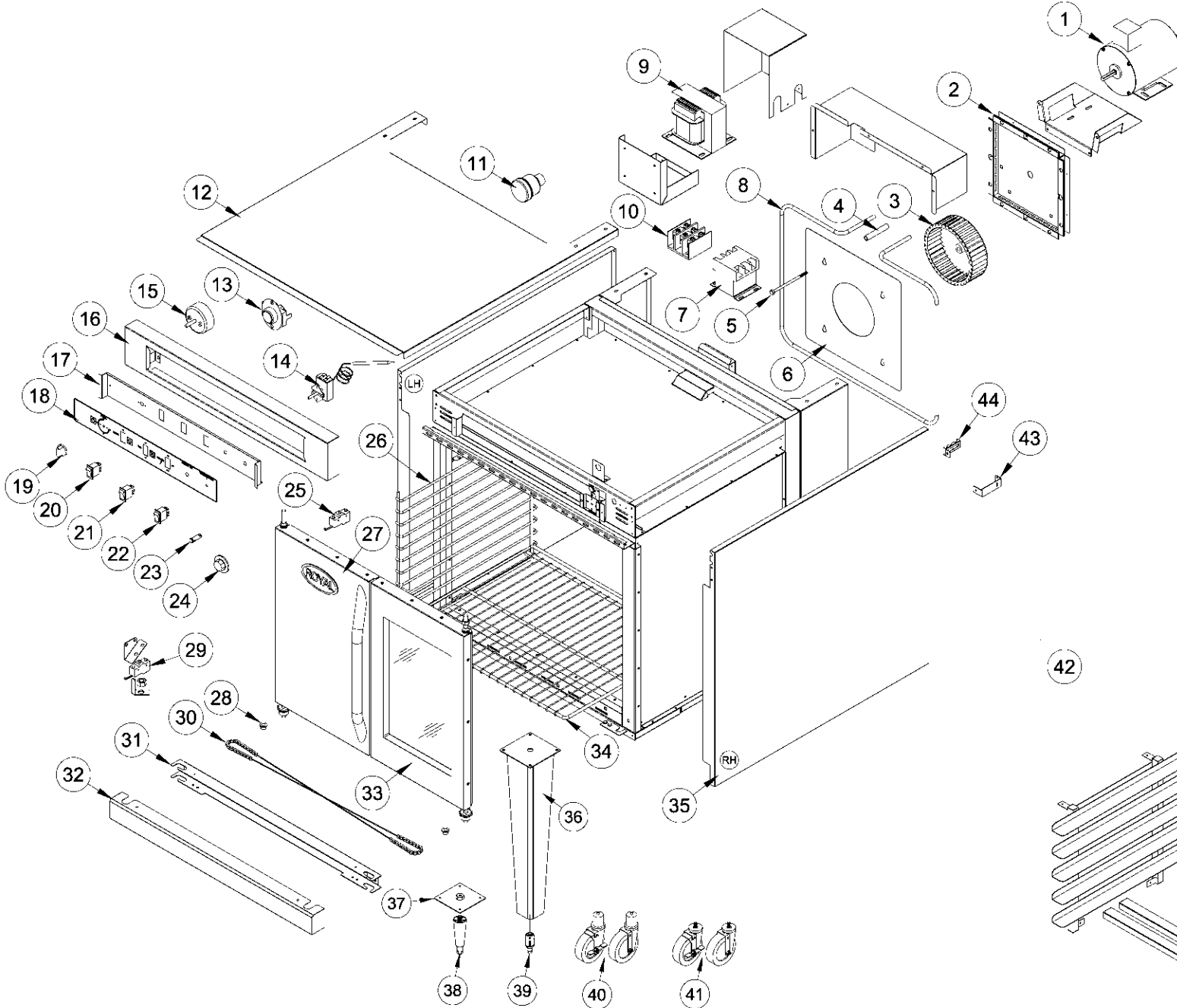


RECO - SERIES Electric Convection Oven

1 OF 3



This block contains detailed views of individual components from the oven assembly, numbered 7 through 25. The components are shown in their respective orientations and positions. Component 7 is a small electrical component. Component 10 is a larger electrical component. Component 13 is a circular component, likely a fan or motor. Component 14 is a rectangular electrical component. Component 15 is a circular component, likely a knob or dial. Component 19 is a handle. Component 23 is a cylindrical component, likely a roller or wheel. Component 24 is a circular component, likely a knob or dial. Component 25 is a rectangular electrical component.

082824

RECO SERIES - CONVECTION OVEN		
ITEM NO.	PART NO.	DESCRIPTION
1	5860	MOTOR (230V).
2	30602	MOTOR MOUNT WELD ASSY.
3	2503	BLOWER WHEEL.
4	2505	SPACER TUBE.
5	2507	SHOULDER BOLT (1/4-20 x 4").
6	30721	BLOWER BAFFLE COVER.
7	2564	CONTACTOR (230V).
8	2560-208	HEATER ELEMENT (RECO) 3 KW.
	2730-240	HEATER ELEMENT (RECO) 3 KW.
	2731-480	HEATER ELEMENT (RECO) 3 KW.
	2567-208	HEATER ELEMENT (RECOD) 4 KW.
	2732-240	HEATER ELEMENT (RECOD) 4 KW.
	2733-480	HEATER ELEMENT (RECOD) 4 KW.
9	5857	TRANSFORMER, STEP DOWN (480V - 240V).
10	2613	POWER DISTRIBUTION BLOCK, 3 POLE.
11	2561	LIGHT SOCKET ASSY WITH 230V BULB (COMPLETE SET).
12	26529	TOP PANEL (RECO).
	26574	TOP PANEL (RECOD).
13	3123	THERMAL CUT OFF SWITCH.
14	2520	KX THERMOSTAT
15	2527	MANUAL TIMER.
16	26520	CONTROL FRAME WELD ASSY.
17	26524	CONTROL PANEL.
18	2555	DECAL, CONTROL PANEL.
19	3098	KNOB, BLACK (TIMER).
20	2524	LIGHT SWITCH, MOMENTARY.
21	2525	FAN SWITCH HIGH/LOW.
22	2526	SWITCH, POWER - 3 POSITION.
23	2595	INDICATOR LIGHT RED (230V).
24	2523	DIAL KNOBN, KX THERMOSTAT.
25	2539	SWITCH, DOOR.
26	2544	OVEN RACK GUIDE (RECO).
	2542	OVEN RACK GUIDE (RECOD).
27	26545	DOOR LH ASSY (SOLID)
28	2532	BRONZE BUSHING (1/2 I.D. x 5/8 O.D).
29	31866	RETROFIT KIT - DOOR SWITCH RECO
30	2531	CHAIN ASSY (COMPLETE SET).
31	26509	CHANNEL SPROCKET SUPPORT.
32	26548	KICKPLATE.
33	26544	DOOR RH ASSY (WINDOW).

RCO SERIES - CONVECTION OVEN		
ITEM NO.	PART NO.	DESCRIPTION
34	2545	OVEN RACK (RECO).
	2540	OVEN RACK (RECOD).
35	26527	SIDE PANEL RH (RECO).
	26572	SIDE PANEL RH (RECOD).
	26528	SIDE PANEL LH (RECO).
	26573	SIDE PANEL LH (RECOD).
36	30589	LEG - SINGLE UNIT (COMPLETE SET OF 4).
37	30621	LEG PLATE (FOR 6" ONLY).
38	3605	6" LEG (FOR DOUBLE UNIT ONLY).
39	1214	ADJUSTABLE BULLET FEET(ONE PIECE ONLY)
40	2551	CASTER 5" WITH BRAKE - STEM MTG (SINGLE DECK).
	2552	CASTER 5" W/OUT BRAKE - STEM MTG (SINGLE DECK).
41	2547	CASTER WITH BRAKE - STUD MTG (DOUBLE STACK).
	2548	CASTER W/OUT BRAKE -STUD MTG (DOUBLE STACK).
42	30687	PAN RACK GUIDE ASSY - RECO.
	30065	PAN RACK GUIDE ASSY - RECOD.
43	26547	ELEMENT CLAMP BRACKET (2 PCS).
44	26546	HEATER ELEMENT BRACKET (2 PCS).