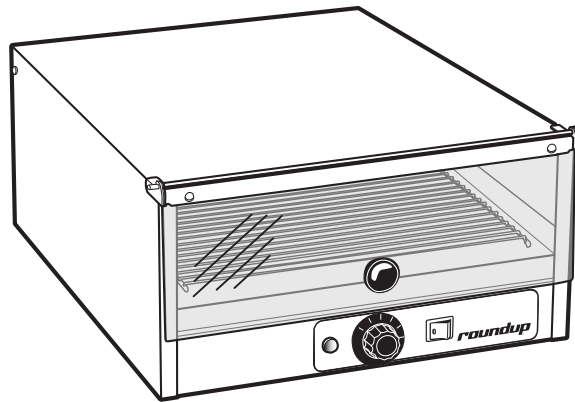


***roundup***  
by A.J. Antunes & Co. ®



# **WD-20D**

## **warmer display**

### owner's manual

**Manufacturing Numbers:**

9400170, 9400171

## Table of Contents

General .....	2
Warranty Information.....	2
Service/Technical Assistance.....	2
Important Safety Information.....	3
Warnings .....	3
Specifications .....	4
Installation .....	5
Operation .....	5
Hi-Limit Reset Button.....	5
Maintenance Schedule.....	5
Replacing Components .....	5
Troubleshooting.....	6
Wiring Diagram .....	6
Replacement Parts.....	7
Limited Warranty.....	8

### **IMPORTANT**

A.J. Antunes & Co. reserves the right to change specifications and product design without notice. Such revisions do not entitle the buyer to corresponding changes, improvements, additions or replacements for previously purchased equipment.

### **IMPORTANT**

Keep these instructions for future reference. If the unit changes ownership, be sure this manual accompanies the equipment.

## General

The Roundup Warmer Display is designed to warm and hold bread products at ready-to-serve temperatures. The unit features easily adjustable controls that allow you to tailor the temperature required for your bread product.

The Warmer Display is designed to be used separately, stacked, or fit under the Roundup Hot Dog Corral.

This manual provides the safety, installation, and operating procedures for the unit. We recommend that all information contained in this manual be read prior to installation and operation.

This unit is manufactured from the finest materials available and is assembled to Roundup's strict quality standards. It has been tested at the factory to ensure dependable trouble-free operation.

## Warranty Information

Please read the full text of the Limited Warranty in this manual.

If the unit arrives damaged, contact the carrier immediately and file a damage claim with them. Save all packing materials when filing a claim. Freight damage claims are the responsibility of the purchaser and are not covered under warranty.

The warranty does not extend to:

- Damages caused in shipment or damage as result of improper use.
- Installation of electrical service.
- Normal maintenance as outlined in this manual.
- Malfunction resulting from improper maintenance.
- Damage caused by abuse or careless handling.
- Damage from moisture into electrical components.
- Damage from tampering with, removal of, or changing any preset control or safety device.

## Service/Technical Assistance

If you experience any problems with the installation or operation of your unit, contact your local Roundup Authorized Service Agency.

Fill in the information below and have it handy when calling your Authorized Service Agency for assistance. The serial number is on the specification plate located on the rear of the unit.

---

Purchased From

---

Date of Purchase

---

Model Number

---

Serial Number

---

Manufacturing Number

Use only genuine Roundup replacement parts in this unit. Use of replacement parts other than those supplied by the manufacturer will void the warranty. Your Authorized Service Agency has been factory trained and has a complete supply of parts for this unit.

To locate your nearest Authorized Service Agency, visit [www.ajantunes.com](http://www.ajantunes.com) or contact the factory at 1-630-784-1000.

Refer to the service agency directory packaged with your manual and fill in the information below.

---

Authorized Service Agency

---

Name

---

Phone Number

---

Address

## Important Safety Information

Use the following guidelines for safe operation of the unit:

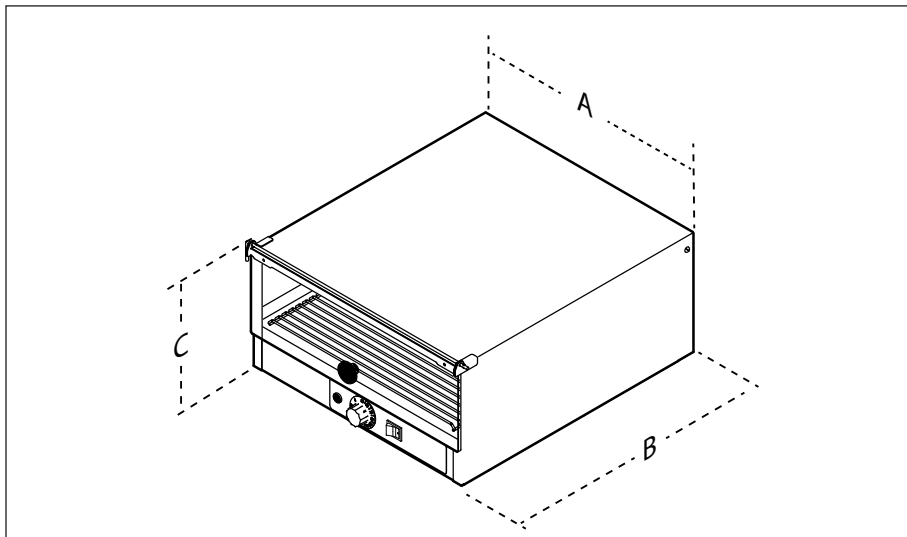
- Read all instructions before using equipment.
- For your safety, the equipment is furnished with a properly grounded cord connector. Do not attempt to defeat the grounded connector.
- Install or locate the equipment only for its intended use as described in this manual. Do not use corrosive chemicals in this equipment.
- Do not operate this equipment if it has a damaged cord or plug, if it is not working properly, or if it has been damaged or dropped.
- This equipment should be serviced by qualified personnel only. Contact the nearest Roundup Authorized Service Agency for adjustment or repair.
- Do not block or cover any openings on the unit.
- Do not immerse cord or plug in water.
- Keep cord away from heated surfaces.
- Do not allow cord to hang over edge of table or counter.
- Turn the unit off, unplug the power cord, and allow unit to cool down before performing any service or maintenance on the unit.
- The procedures in this manual may include the use of chemical products. These chemical products will be highlighted with bold face letters followed by the abbreviated HCS (Hazard Communication Standard). See Hazard Communication Standard manual for the appropriated Material Safety Data Sheets (MSDS).
- The equipment should be grounded according to local electrical codes to prevent the possibility of electrical shock. It requires a grounded receptacle with separate electrical lines, protected by fuses or circuit breaker of the proper rating.
- Do not clean this appliance with a water jet.

## Warnings

Be advised of the following warnings when operating and performing maintenance on this unit.

- If the supply cord is damaged, it must be replaced by the manufacturer, its service agent, or a similarly qualified person in order to avoid a hazard.
- Do not modify the power supply cord plug. If it does not fit the outlet, have a proper outlet installed by a qualified electrician.
- Do not use an extension cord with this appliance.
- Check with a qualified electrician if you are unsure if the unit is properly grounded.
- If a chemical cleaner is used, be sure it is safe to use on cast aluminum. Observe all precautions and warnings on product label.
- Inspection, test, and repair of electrical equipment should only be performed by qualified service personnel.
- Chlorides or phosphates in cleaning agents (e.g. bleach, sanitizers, degreasers or detergents) could cause permanent damage to stainless steel equipment. The damage is usually in the form of discoloration, dulling of metal surface finish, pits, voids, holes, or cracks. This damage is permanent and not covered by warranty. The following tips are recommended for maintenance of your stainless steel equipment:
  - Always use soft, damp cloth for cleaning, rinse with clear water and wipe dry. When required, always rub in direction of metal polish lines.
  - Stains and spots should be removed using a vinegar solution.
  - Finger marks and smears should be removed using soap and water.
- Do not use an extension cord with this appliance.
- Electrical ground is required on this appliance.

# Specifications



Model & Mfg. No.	Width (A)	Depth (B)	Height (C)
WD-20D 9400170 9400171	18 3/4" (476 mm)	21 1/2" (546 mm)	9 3/4" (248 mm)

Model & Mfg. No.	Volts	Watts	Amps	Hertz	Plug Description	Plug Configuration
WD-20D 9400171	120	500	4.2	60	NEMA 5-15P	
WD-20D 9400170	230	500	2.2	60	CEE 7/7	

Model & Mfg. No.	Agency Approvals
WD-20D 9400170 9400171	

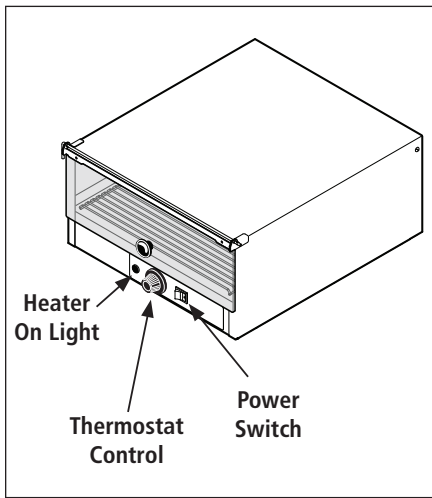


Figure 1. Control Panel

## Installation

1. Remove unit and all packing materials from shipping carton.
2. Open the large box. It should contain the following items:
  - Warmer Display
  - Information Packet
3. Remove the information packet.
4. Remove all packing materials and protective coverings from the unit.

**NOTE: If any parts are missing or damaged, contact A.J. Antunes & Co. IMMEDIATELY at 1-630-784-1000 or in the U.S. or Canada at 1-800-253-2991 toll free.**

5. Wash removable parts in soap and water.
6. Clean the unit with a damp cloth. Do not use a dripping wet cloth.
7. Re-install parts into unit.

When placing the Warmer Display into service, pay attention to the following guidelines.

- Make sure the power switch is off and the unit is at room temperature before plugging in the power cord.
- Do not block or cover any openings on the unit.
- Do not immerse the power cord or plug in water.
- Keep the power cord away from heated surfaces.
- Do not allow the power cord to hang over edge of table or counter.
- Plug the power cord into the appropriate power outlet. Refer to the specification plate for the proper voltage.

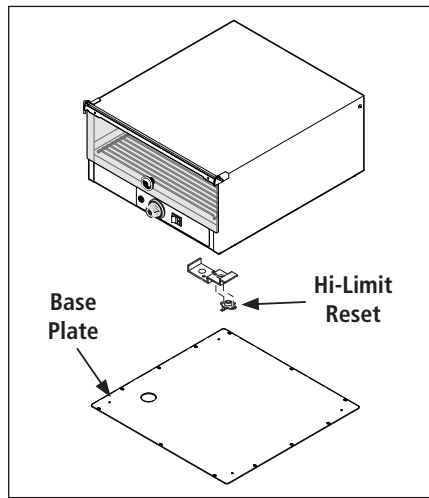


Figure 2. Hi-Limit Reset Button

## Operation

The recommended starting temperature for hot dog buns and hard rolls is 140°F (60°C). Your operation may require temperature adjustment, depending on product and usage.

Most products warm to serving temperature of 130–140°F (54–60°C) in 15–20 minutes and remain ready to serve for up to 1.5 hours, if the product remains in its original packaging. If the product is removed from its original packaging, the serving time is 30–45 minutes.

1. Turn the power on (Figure 1).
2. Set the thermostat control (Figure 1) to the desired setting. The Heater On light will be lit.
3. Open the door and load product into the unit. Then close the door.
4. Open the door and remove product as needed. Then close the door.

## Hi-Limit Reset Button

A hi-limit thermostat with a reset switch is contained in the heating circuit. If the unit should overheat for any reason, the hi-limit thermostat opens and cuts off power to the heating element.

To reset the hi-limit thermostat:

1. Turn the power off, unplug the power cord, and allow the unit to cool.
2. Remove the base plate (Figure 2) from the unit.
3. Push in the reset button located on the bottom of the hi-limit thermostat.
4. Re-assemble the unit and return to service.

If the unit requires continuous resetting, contact your Authorized Service Agency.

## Maintenance Schedule

### DAILY

1. Turn the power off, unplug the power cord, and allow the unit to cool.
2. Remove all parts from the unit.
3. Wash all parts in soap and water, rinse in clear water, and wipe dry.
4. Wipe the exterior of the unit with a damp cloth or stainless steel cleaner. Then wipe dry with a clean, dry cloth.
5. Re-install all parts into the unit.
6. Plug in the power cord, turn the power on, and test the unit before returning it to service.

Failure to properly clean and dry the parts prior to re-assembly may result in the accumulation of water and moisture overnight. This may lead to permanent damage to the equipment finish and accessories, which is not covered by the warranty.

### MONTHLY

1. Turn the power off, unplug the power cord, and allow the unit to cool.
2. Remove all parts from the unit.
3. Wash all parts in soap and water, rinse in clear water, and wipe dry.
4. Open the door on the unit.
5. Wipe the interior of the Warmer Display with a clean, damp cloth. Then wipe dry with a clean, dry cloth.
6. Wipe the interior and exterior of the Warmer Display door with a clean, damp cloth. Then wipe dry with a clean, dry cloth.
7. Wipe the exterior of the unit with a damp cloth or stainless steel cleaner. Then wipe dry with a clean, dry cloth.
8. Re-install all parts into the unit.
9. Plug in the power cord, turn the power on, and test the unit before returning it to service.

Failure to properly clean and dry the parts prior to re-assembly may result in the accumulation of water and moisture overnight. This may lead to permanent damage to the equipment finish and accessories, which is not covered by the warranty.

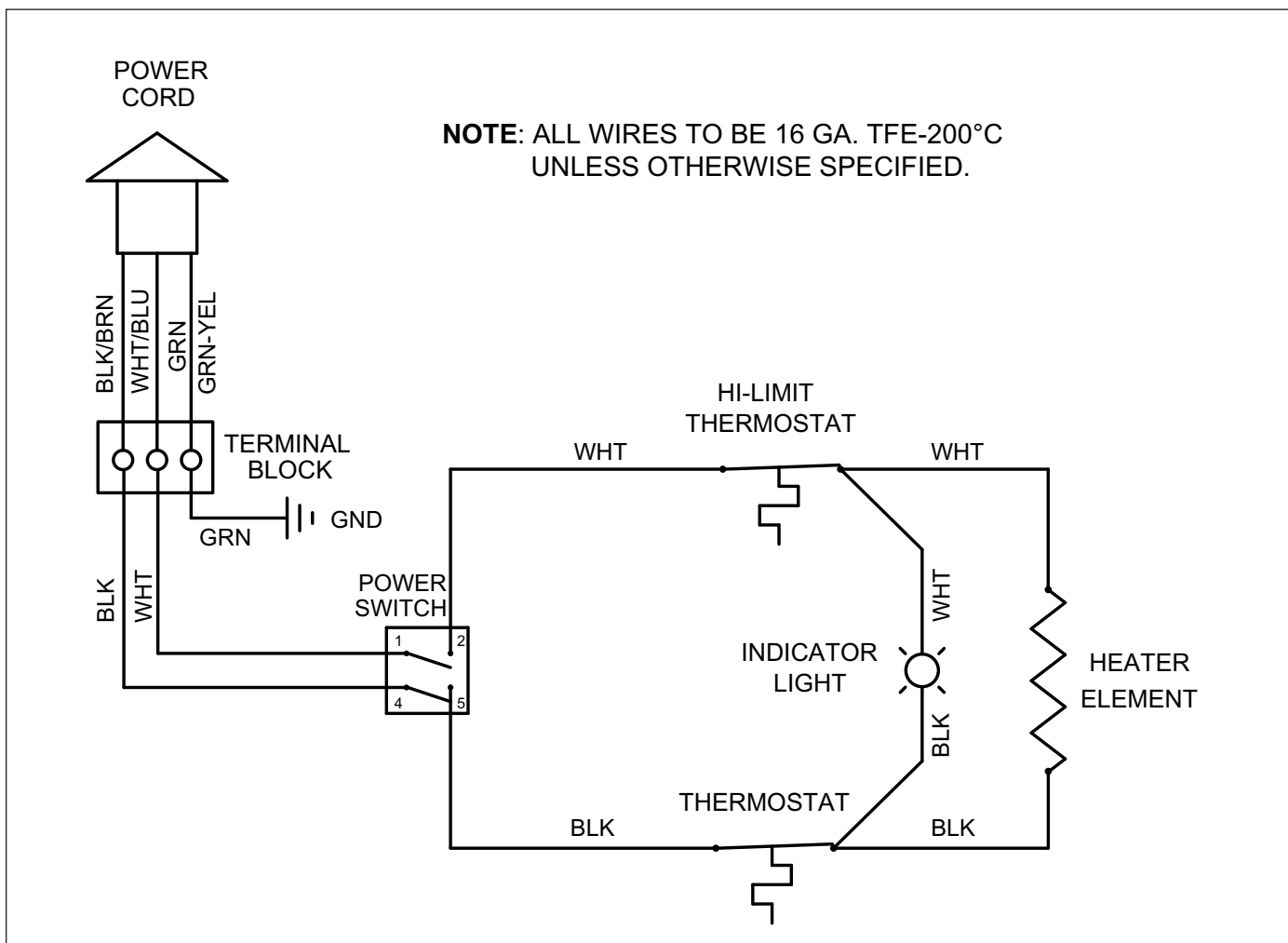
## Replacing Components

It is recommended that all service procedures be performed by a qualified Authorized Service technician.

## Troubleshooting

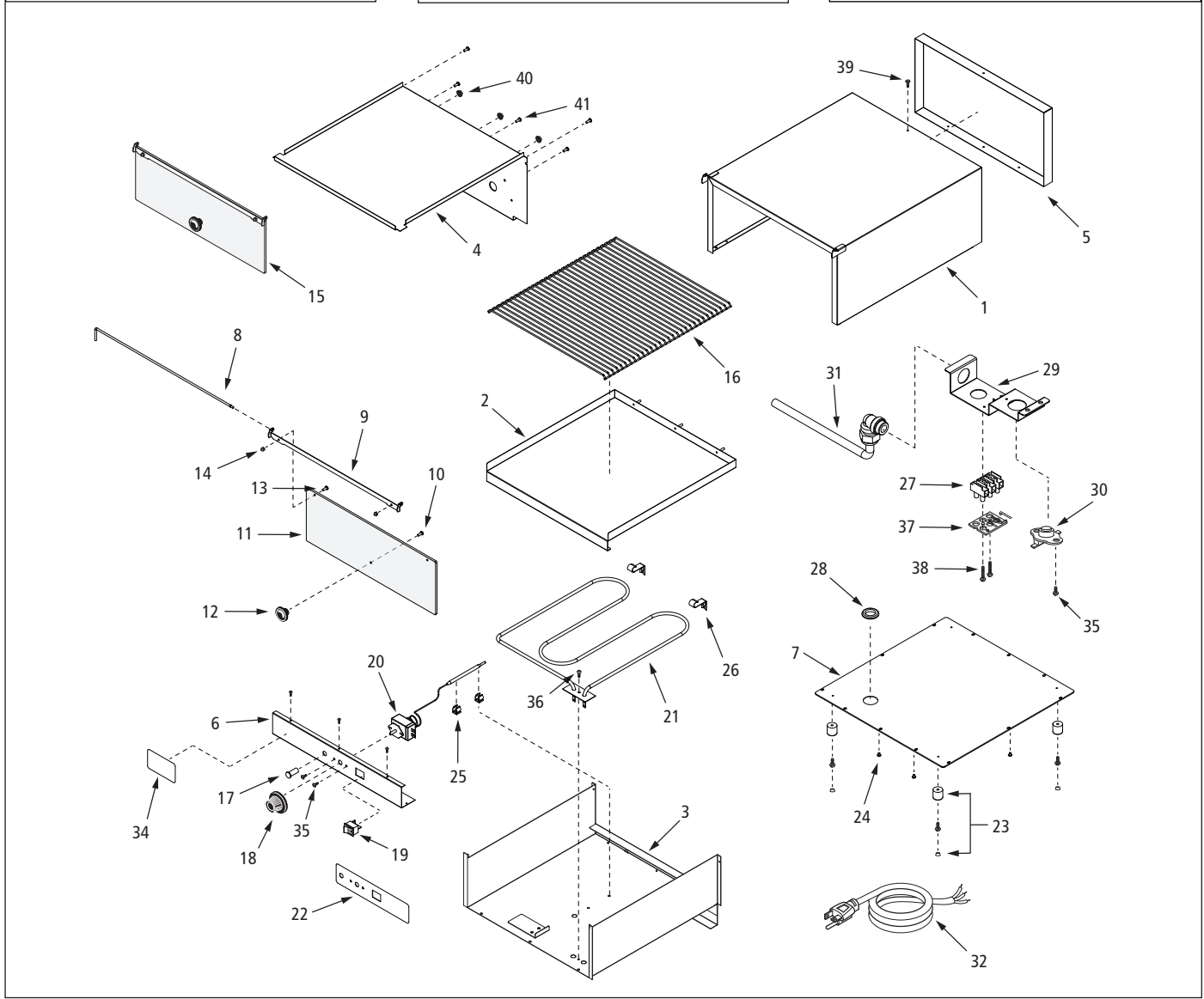
Problem	Possible Cause	Corrective Action
Unit will not heat up.	Power cord is not plugged in.	Plug the power cord into the appropriate outlet.
	Circuit breaker is tripped.	Reset the circuit breaker. Contact your electrician if the breaker trips again.
	Hi-limit thermostat is tripped or inoperable.	Reset the hi-limit thermostat. If the unit still does not heat up, contact your maintenance person or Authorized Service Agency for service.
	Loose, broken, or burnt wiring in the heating circuit.	Contact your maintenance person or Authorized Service Agency for service.
	Faulty heating element.	Contact your maintenance person or Authorized Service Agency for service.
	Faulty thermostat control.	Contact your maintenance person or Authorized Service Agency for service.
Product becomes hard and dry.	Thermostat control is set too high.	Adjust the thermostat control.
	Product is not being kept in its original packaging.	Refer to the Operation section of this manual.
	Product is kept beyond normal holding times.	Refer to the Operation section of this manual.
Unit is getting too hot.	Thermostat control is set too high.	Adjust the thermostat control.
	Faulty thermostat control.	Contact your maintenance person or Authorized Service Agency for service.

## Wiring Diagram



# Replacement Parts

Item	Part No.	Description	Qty.	Item	Part No.	Description	Qty.	Item	Part No.	Description	Qty.
1	0021702	Outer Housing	1	17	4060323	Indicator Light, 120 V	1	27	7000136	Terminal Block Kit	1
2	0021703	Floor Panel Weldment	1		4060229	Indicator Light, 230 V	1	28	0400329	2" Rubber Grommet	1
3	0021727	Inner Liner	1	18	2100110	Knob, F°	1	29	0506220	Cord Mounting Brkt.	1
4	0506128	Top Liner Panel	1		2100224	Knob, C°	1	30	4030291	Hi-Limit Thermostat	1
5	0506125	Back Panel	1	19	4010151	Power Switch, 120 V	1	31	0400354	90° Strain Relief	1
6	0506129	Control Panel	1		4010137	Power Switch, 230 V	1	32	0700463	Power Cord, 120 V	1
7	0506131	Base Plate	1	20	403K115	Thermostat Kit, F°	1		0700453	Power Cord, 230 V	1
8	0800424	Hinge Pin	1		403K160	Thermostat Kit, C°	1	33	1000933	Wiring Diagram	1
9	0506130	Lexan Bracket	1			(incl. #18)				(not shown)	
10	310P110*	Mach. Screw	1	21	4030225	Heating Element	1	34	1000363	Caution Label	1
		#10-32 x 1/2"				120 Volt, 500 Watt		35	306P104*	Screw #06-32 x 1/4"	1
11	0900294	Lexan Door	1		4030231	Heating Element	1	36	308P133*	Screw #08-32 x 1/4"	1
12	2100145	Knob	1	22	1000925	Label	1	37	1000967	Marking Label	1
13	308P104*	Mach. Screw	1	23	210K230	Bumper Leg Kit	1	38	306P123*	Screw #06-32 x 7/8"	1
		#08-32 x 3/8"		24	308P157*	Screw #08-32 x 3/8"	1	39	308P103*	Mach. Screw	1
14	308P145*	Hex Nut #08-32	1	25	300P108*	3/8" Tube Clip	2			#08-32 x 1/4"	
15	0012608	Door Assembly	1	26	300P107*	.31-.35" Tube Clip	2	40	308P143*	Nut #08-32 KEPS	1
		(incl. #9-14)						41	3060144	Screw #06-32	5
21	0800423	Trivet	1								* Available only in packages of 10.



## LIMITED WARRANTY

Equipment manufactured by Roundup Food Equipment Division of A.J. Antunes & Co. has been constructed of the finest materials available and manufactured to high quality standards. These units are warranted to be free from electrical and mechanical defects for a period of one (1) year from date of purchase under normal use and service, and when installed in accordance with manufacturer's recommendations. To insure continued operation of the units, follow the maintenance procedures outlined in the Owner's Manual. During the first 12 months, electro-mechanical parts, non-overtime labor, and travel expenses up to 2 hours (100 miles/160 km), round trip from the nearest Authorized Service Center are covered.

1. This warranty does not cover cost of installation, defects caused by improper storage or handling prior to placing of the Equipment. This warranty does not cover overtime charges or work done by unauthorized service agencies or personnel. This warranty does not cover normal maintenance, calibration, or regular adjustments as specified in operating and maintenance instructions of this manual, and/or labor involved in moving adjacent objects to gain access to the equipment. This warranty does not cover consumable/wear items. This warranty does not cover damage to the Load Cell or Load Cell Assembly due to abuse, misuse, dropping of unit/shock loads or exceeding maximum weight capacity (4 lbs). This warranty does not cover water contamination problems such as foreign material in water lines or inside solenoid valves. It does not cover water pressure problems or failures resulting from improper/incorrect voltage supply. This warranty does not cover Travel Time & Mileage in excess of 2 hours (100 miles/160 km) round trip from the nearest authorized service agency.
2. Roundup reserves the right to make changes in design or add any improvements on any product. The right is always reserved to modify equipment because of factors beyond our control and government regulations. Changes to update equipment do not constitute a warranty charge.
3. If shipment is damaged in transit, the purchaser should make a claim directly upon the carrier. Careful inspection should be made of the shipment as soon as it arrives and visible damage should be noted upon the carrier's receipt. Damage should be reported to the carrier. This damage is not covered under this warranty.
4. Warranty charges do not include freight or foreign, excise, municipal or other sales or use taxes. All such freight and taxes are the responsibility of the purchaser.
5. THIS WARRANTY IS EXCLUSIVE AND IS IN LIEU OF ALL OTHER WARRANTIES, EXPRESSED OR IMPLIED, INCLUDING ANY IMPLIED WARRANTY OR MERCHANTABILITY OR FITNESS FOR A PARTICULAR PURPOSE, EACH OF WHICH IS HEREBY EXPRESSLY DISCLAIMED. THE REMEDIES DESCRIBED ABOVE ARE EXCLUSIVE AND IN NO EVENT SHALL ROUNDUP BE LIABLE FOR SPECIAL CONSEQUENTIAL OR INCIDENTAL DAMAGES FOR THE BREACH OR DELAY IN PERFORMANCE OF THIS WARRANTY.



**A.J. Antunes & Co.**  
We exist to make our customers successful.

---

**A.J. Antunes & Co.**  
Headquarters/Manufacturing  
Carol Stream, Illinois 60188 USA  
Phone: (630) 784-1000  
Toll Free: (800) 253-2991  
Fax: (630) 784-1650

**Antunes Equipment**  
Manufacturing (Suzhou) Ltd.,  
Suzhou, Jiangsu, China 215011  
Phone: 86-512-6841-3637  
Toll Free: 400-0-7878-22  
Fax: 86-512-6841-3907

[www.ajantunes.com](http://www.ajantunes.com)