

MANUFACTURING  
NUMBERS:

9100200  
9100250

# *roundup*

by A.J. Antunes & Co. ®



P/N 1010591 Rev. E 03/12

## **VARIETY STEAMER**

*Model VS-200A-A1*



# *Owner's Manual*

**TABLE OF CONTENTS**

<b>Owner Information</b> .....	<b>2</b>	<b>Operation</b> .....	<b>9</b>
General .....	2	Operating Instructions .....	9
Warranty Information .....	2	<b>Maintenance</b> .....	<b>13</b>
Service/Technical Assistance .....	3	Daily Cleaning .....	13
<b>Important Safety Information</b> .....	<b>4</b>	Monthly Cleaning.....	13
<b>Specifications</b> .....	<b>6</b>	Cleaning Steam Chamber .....	15
Electrical Ratings.....	6	<b>Troubleshooting</b> .....	<b>11</b>
Electrical Cord & Plug Configurations .....	6	<b>Replacement Parts</b> .....	<b>12</b>
Shipping Weight .....	6	<b>Notes</b> .....	<b>15</b>
Dimensions.....	6	<b>Limited Warranty</b> .....	<b>Back Cover</b>
<b>Installation</b> .....	<b>7</b>		
Unpacking.....	7		
Plumbing.....	7		
Equipment Setup .....	7		

**OWNER INFORMATION**

**General**

The Variety Steamer produces steam using plain tap water for quick heating and reconstituting of food items. Simple push-button action delivers a fully adjustable impulse of steam. Because the amount of steam is consistent, it removes the guesswork and produces a uniform finished product from one operator to the next.

This manual provides the safety, installation, and operating procedures for the Variety Steamer. We recommend that all information contained in this manual be read prior to installing and operating the unit.

Your Variety Steamer is manufactured from the finest materials available and is assembled to Roundup's strict quality standards. This unit has been tested at the factory to ensure dependable trouble-free operation.

**Warranty Information**

Please read the full text of the Limited Warranty in this manual.

If the unit arrives damaged, contact the carrier immediately and file a damage claim with them. Save all packing materials when filing a claim. Freight damage claims are the responsibility of the purchaser and NOT covered under warranty.

The warranty does NOT extend to:

- Damages caused in shipment or damage as result of improper use.
- Installation of electrical service.
- Normal maintenance as outlined in this manual.
- Malfunction resulting from improper maintenance.
- Damage caused by abuse or careless handling.
- Damage from moisture into electrical components.
- Damage from tampering with, removal of, or changing any preset control or safety device.

**IMPORTANT! Keep these instructions for future reference. If the unit changes ownership, be sure this manual accompanies the equipment.**

### OWNER INFORMATION (continued)

#### Service/Technical Assistance

If you experience any problems with the installation or operation of your unit, contact your local Roundup Authorized Service Agency. They can be found in the service agency directory packaged with the equipment.

Fill in the information below and have it handy when calling your Authorized Service Agency for assistance. The serial number is on the specification plate located on the rear of the unit.

Purchased From: \_\_\_\_\_

Date of Purchase: \_\_\_\_\_

Model No.: \_\_\_\_\_

Serial No.: \_\_\_\_\_

Mfg. No.: \_\_\_\_\_

Refer to the service agency directory and fill in the information below:

Authorized Service Agency

Name: \_\_\_\_\_

Phone No.: \_\_\_\_\_

Address: \_\_\_\_\_

Use only genuine Roundup replacement parts in this unit. Use of replacement parts other than those supplied by the manufacturer will void the warranty. Your Authorized Service Agency has been factory trained and has a complete supply of parts for this unit.

You may also contact the factory at **1-877-392-7854** or **630-784-1000** if you have trouble locating an Authorized Service Agency.

### IMPORTANT

**A.J. Antunes & Co. reserves the right to change specifications and product design without notice. Such revisions do not entitle the buyer to corresponding changes, improvements, additions, or replacements for previously purchased equipment.**

## IMPORTANT SAFETY INFORMATION

In addition to the warnings and cautions in this manual, use the following guidelines for safe operation of the unit.

- Read all instructions before using equipment.
- For your safety, the equipment is furnished with a properly grounded cord connector. Do NOT attempt to defeat the grounded connector.
- Install or locate the equipment only for its intended use as described in this manual. Do NOT use corrosive chemicals in this equipment.
- Do NOT operate this equipment if it has a damaged cord or plug, if it is not working properly, or if it has been damaged or dropped.
- This equipment should be serviced by qualified personnel only. Contact the nearest Authorized Service Agency for adjustment or repair.
- Do NOT block or cover any openings on the unit.
- Do NOT immerse cord or plug in water.
- Keep cord away from heated surfaces.
- Do NOT allow the cord to hang over edge of table or counter.

The following warnings and cautions appear throughout this manual and should be carefully observed.

- Turn the power off, unplug the power cord, and allow the unit to cool down before performing any service or maintenance.
- The procedures in this chapter may include the use of chemical products. These chemical products will be highlighted with bold face letters followed by the abbreviated HCS (Hazard Communication Standard). See Hazard Communication Standard manual for the appropriate Material Safety Data Sheets (MSDS).
- The equipment should be grounded according to local electrical codes to prevent the possibility of electrical shock. It requires a grounded receptacle with separate electrical lines, protected by fuses or circuit breaker of the proper rating.
- All electrical connections must be in accordance with local electrical codes and any other applicable codes.

**IMPORTANT SAFETY INFORMATION (continued)**

- **WARNING ELECTRICAL SHOCK HAZARD. FAILURE TO FOLLOW THESE INSTRUCTIONS COULD RESULT IN SERIOUS INJURY OR DEATH.**
  - Electrical ground is required on this unit.
  - Do NOT modify the power supply cord plug. If it does not fit the outlet, have a proper outlet installed by a qualified electrician.
  - Do NOT use an extension cord with this unit.
  - Check with a qualified electrician if you are unsure if the appliance is properly grounded.
- If the supply cord is damaged, it must be replaced by the manufacturer, its service agent, or a similarly qualified person.
- This equipment is to be installed to comply with the basic plumbing code of the Building Officials and Code Administrators, Inc. (BOCA) and the Food Service Sanitation Manual of the Food and Drug Administration (FDA).
- Water pressure must not exceed 30 psi (2.1 kg/cm<sup>2</sup> or 207 kPa). Higher water pressures may cause poor performance or flooding. To reduce water pressure, install a Water Pressure Regulator and set to 20–25 psi (1.4–1.7 kg/cm<sup>2</sup> or 138–172 kPa).
- Do NOT clean this appliance with a water jet.
- Do NOT use a sanitizing solution or abrasive materials. The use of these may cause damage to the stainless steel finish.
- To ensure proper steaming characteristics, some calcium/mineral deposits must be present on the Generator Surface. If, during cleaning, the surface does become free of deposits, add plain tap water to the surface and allow it to boil off. This will ensure proper steaming characteristics by creating a thin layer of calcium/mineral deposits.
- Chlorides or phosphates in cleaning agents (e.g. bleach, sanitizers, degreasers, or detergents) could cause permanent damage to stainless steel equipment. The damage is usually in the form of discoloration, dulling of metal surface finish, pits, voids, holes, or cracks. This damage is permanent and NOT covered by warranty:

The following tips are recommended for maintenance of your stainless steel equipment:

- Always use a soft, damp cloth for cleaning, rinse with clear water, and wipe dry. When required, always rub in direction of metal polish lines.
- Routine cleaning should be done daily using soap, ammonia detergent, and water.
- Stains and spots should be removed using a vinegar solution.
- Finger marks and smears should be rubbed off using soap and water.
- Hard water spots should be removed using a vinegar solution.

**SPECIFICATIONS**

**Electrical Ratings**

Model & Mfg. No.	Voltage	Watts	Amps	Hertz
VS-200A-A1 9100200	208-240	3800	18.3	50/60
VS-200A-A1 9100250	208-240	3800	18.3	50/60

**Electrical Cord & Plug Configurations**

Model & Mfg. No.	Description	Configuration
VS-200A-A1 9100200 9100250	6-20P, 20 Amp., 250 VAC	

**⚠ WARNING ⚠**

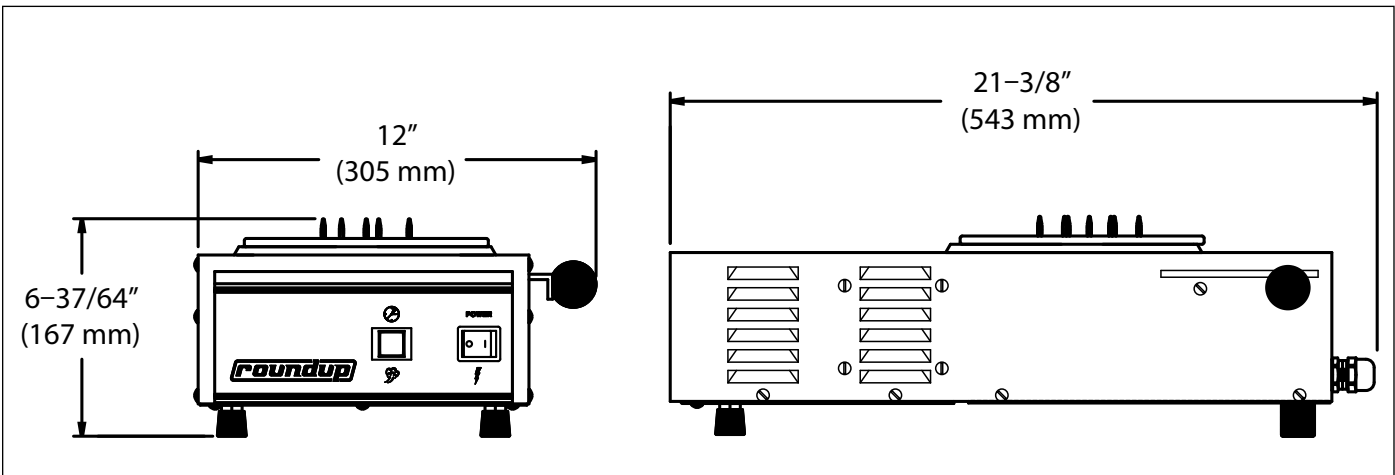
**ELECTRICAL SHOCK HAZARD.  
FAILURE TO FOLLOW THE INSTRUCTIONS IN  
THIS MANUAL COULD RESULT IN SERIOUS  
INJURY OR DEATH.**

- Electrical ground is required on this appliance.
- Do NOT modify the power supply cord plug. If it does not fit the outlet, have a proper outlet installed by a qualified electrician.
- Do NOT use an extension cord with this unit.
- Check with a qualified electrician if you are unsure if the appliance is properly grounded.

**Shipping Weight**

42 lbs. (19 kg)

**Dimensions**



### INSTALLATION

#### Unpacking

1. Remove unit and all packing materials from shipping carton.
2. The unit should contain the following:
  - Owner's Manual
  - Authorized Service Agency Directory
  - Petro Gel Tube
  - Inlet Hose and Strainer Assembly
  - Black Drain Tubing

**NOTE: If any parts are missing or damaged, contact Antunes Technical Service IMMEDIATELY at 1-877-392-7854 or 630-784-1000.**

3. Remove all packing materials and protective coverings.
4. Remove and wash the Needle Plate, O-ring, and Diffuser (Figure 1) in soap and water. Rinse with clean hot water and allow to air dry.
5. Wipe all surfaces of the unit with a hot damp cloth.

**NOTE: Do NOT use a dripping wet cloth. Wring out before use.**

6. Reinstall all removed parts.

#### Plumbing

**NOTE: Variety Steamer models are designed to use cold tap water at 20–25 psi (1.4–1.7 kg/cm<sup>2</sup> or 138–172 kPa).**

1. Connect the water supply hose to the Quick Disconnect Body on the rear of the unit.
2. Connect the other end of the water supply hose to the water supply.
3. Turn on the water supply.
4. Disconnect the water supply hose from the unit by pressing down on the tab on the Quick Disconnect Body.
5. Hold the Quick Disconnect Insert over a bucket, and press and hold the white plastic tip until there's a good, steady water flow.
6. Push the fitting back into the Quick Disconnect until it clicks into place.
7. Connect the other end of the water supply hose to the Quick Disconnect Body on the rear of the unit.

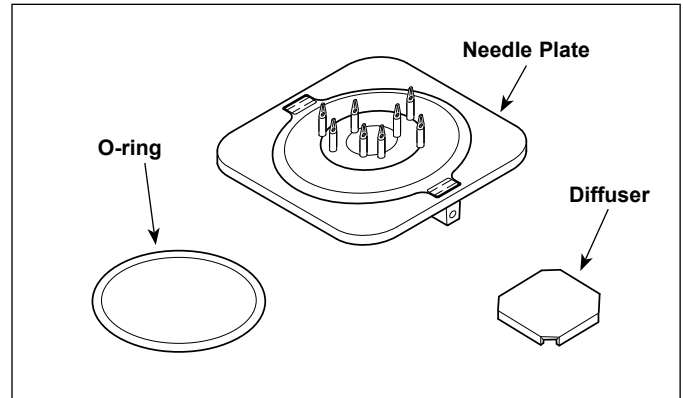


Figure 1. Wash Items

#### ⚠ CAUTION ⚠

**Water pressure must not exceed 30 psi (2.1 kg/cm<sup>2</sup> or 207 kPa). Higher water pressures may cause poor performance or flooding. To reduce water pressure, install a Water Pressure Regulator, and set water pressure to 20–25 psi (1.4–1.7 kg/cm<sup>2</sup> or 138–172 kPa).**

#### ⚠ CAUTION ⚠

**This equipment is to be installed to comply with the basic plumbing code of the Building Officials and Code Administrators, Inc. (BOCA) and the Food Service Sanitation Manual of the Food and Drug Administration (FDA).**

#### Equipment Setup

1. Place the unit on a sturdy, level table or other work surface. Be sure the power is off before proceeding.
2. Connect the unit to the power supply.
3. Connect the Black Drain Tubing to the Drip Tray by pressing the tubing onto the drain pipe at the bottom of the Drip Tray.
4. Place the other end of the tubing in a drain or collection pan.
5. Rotate the black rubber tips on the front legs so the unit is tilted slightly to the rear.
6. Turn the power on and allow 20 minutes for the unit to warmup.

**NOTE: Do NOT operate the unit during the warmup period. This could cause flooding in the unit.**

7. Press and release the Momentary switch on the front panel to clear air out of the water line.
8. Turn off the power and allow the unit to cool.

## OPERATION

### Operating Instructions

1. Turn the power on and allow the unit to warmup for approximately 20 minutes.

**NOTE: Do NOT operate the unit during the warmup period. This could cause flooding in the unit.**

2. Press the MOMENTARY Switch (Figure 2) on the front panel to clear the water line of any air.
3. Place product to be steamed onto the Needle Plate.
4. Press the MOMENTARY Switch for approximately one second and then release.
5. Carefully remove the product from the Needle Plate using the Spatula Fork.

**NOTE: Experiment with your products and different steaming times to get the desired results.**

6. At the end of the day, turn the power off and allow the unit to cool.

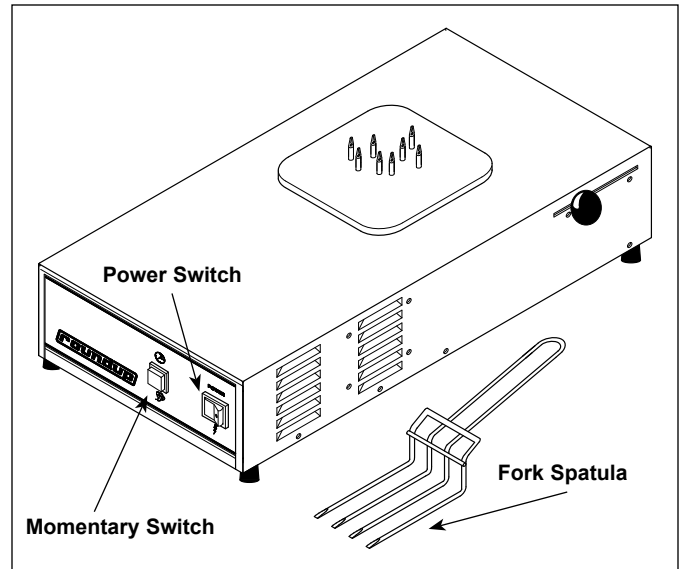


Figure 2. Operating Unit

### MAINTENANCE

#### Daily Cleaning

**NOTE:** Frequency of cleaning is determined by water conditions, usage, and water filter systems.

1. Turn the power off, unplug the power cord, and allow the unit to cool for 30 minutes.
2. Check the Quick Disconnect Insert and all hose clamp connections for leakage. If leakage is apparent, tighten all clamps or replace part(s) if required.

**NOTE:** Three spare O-rings are attached to the water hose.

3. Turn off the water supply.
4. Remove the water hose from the unit by pressing down on the tab on the Quick Disconnect Body on the rear of the unit.
5. Remove the Needle Plate by pushing the Lock Lever Knob on the right of the unit and lifting the plate (Figure 3).
6. Remove the O-ring from the Needle Plate.
7. Wash all removed parts in soap and hot water, rinse in clear water, and allow to air dry.
8. Wipe the entire unit with a hot, damp cloth.

**NOTE:** Do NOT use a dripping wet cloth. Wring it out before use.

9. Reinstall all parts and plug in the power cord to return to service.

#### ⚠ WARNING ⚠

Refer to the instructions for cleaning and handling the unit within the Important Safety Information section of this manual.

#### ⚠ CAUTION ⚠

Failure to regularly and/or properly clean this equipment may damage it or cause the user bodily injury.

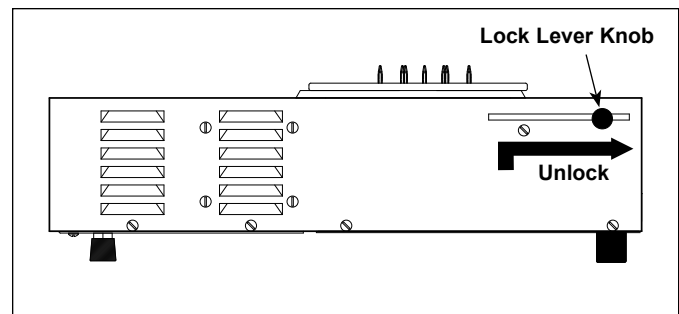


Figure 3. Lock Lever Knob

## MAINTENANCE (continued)

### Monthly Cleaning

**NOTE: Frequency of cleaning is determined by water conditions, usage, and water filter systems.**

1. Perform all steps of the Daily Cleaning but do NOT reinstall all removed parts.
2. After cleaning the Needle Plate, use a suitable 1/16" punching tool (such as a large paper clip) to clear all needle holes of mineral deposits.
3. Remove the Diffuser Plate from the Generator.
4. Remove the Spray Tube by lifting it and pulling it free of the Generator.
5. Check the inside of the Spray Tube for mineral deposits. If deposits have formed, carefully flex the tube so the deposits crumble and fall out, making sure not to create any sharp bends in the tube.
6. If deposits are still present, soak the Spray Tube overnight in a vinegar solution to dissolve the remaining deposits.

**NOTE: If vinegar is used, be sure to wash the Spray Tube in detergent water and rinse well before re-installing in the unit.**

7. Check the water ports of the Spray Tube for mineral deposits. If they are clogged, remove them with the end of a paper clip.

**NOTE: Some mineral deposits must be present on the Generator to ensure proper steaming. If during cleaning the Generator becomes free of deposits, they will reform as the unit is used.**

8. Reinstall the Spray Tube and Diffuser.
9. Lightly apply some Petro Gel (supplied) onto the O-ring and then reinstall the O-ring.
10. Reinstall the Needle Plate and lock it in place by pulling the Lock Lever Knob towards the front of the unit. Check that the plate is securely locked in place.
11. Reconnect the water hose and plug in the power cord.

### Cleaning Steam Chamber

1. Turn the power off, unplug the power cord, and allow the unit to cool for approximately 30 minutes.
2. Remove the Needle Plate and soak in a mineral dissolver (ex. vinegar or delimer).
3. Remove the O-ring and set aside.
4. Pour mineral dissolver onto the Generator, filling it 1/4" to the top.
5. Allow the Generator to soak for one hour or more, depending on the amount of buildup.
6. Carefully empty mineral dissolver from Generator and wipe up any spills in the unit.
7. Remove Diffuser Plate and Spray Tube.
8. Remove Needle Plate from mineral dissolver.
9. Wash Diffuser Plate, Spray Tube, and Needle Plate in soap and hot water and then rinse in clear water.
10. Use a paper clip to clear all needle holes of any mineral deposit.
11. Wipe down the Generator with a hot, damp cloth to remove any remaining mineral dissolver.
12. Plug in the power cord and turn the unit on. Wait approximately 20 minutes for the unit to warmup.
13. Press the MOMENTARY Switch three times to purge any remaining dissolver from the Generator.
14. Turn the power off, unplug the power cord, and allow the unit to cool down.
14. Lightly apply Petro Gel onto the O-ring and reinstall on the Generator Manifold.
15. Reinstall all remaining parts.
16. Clean entire unit with a hot, damp cloth and wipe dry.

**NOTE: Do NOT use a dripping wet cloth. Wring it out before use.**

16. Plug the power cord back in and return to service.

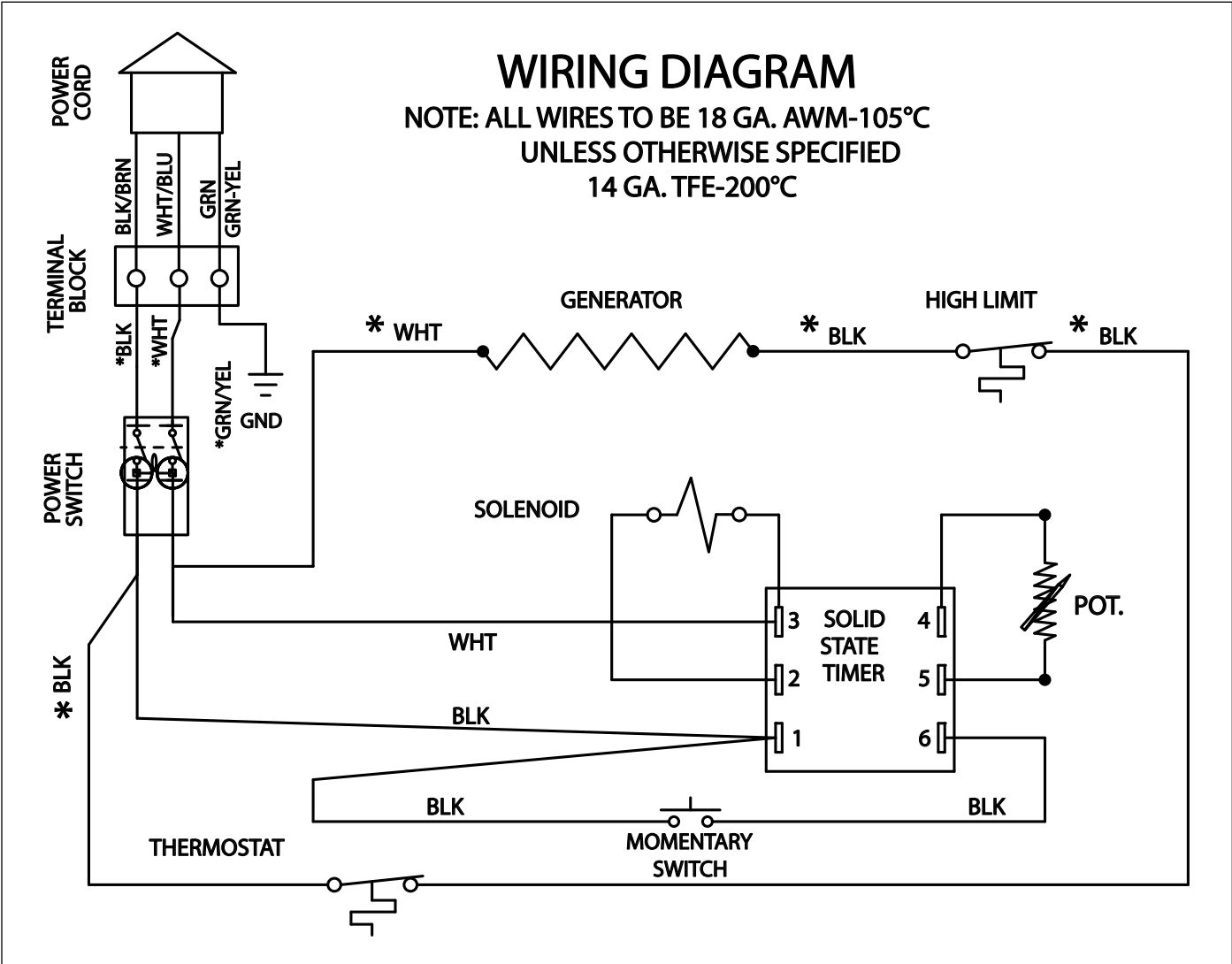
### TROUBLESHOOTING

#### ⚠ WARNING ⚠

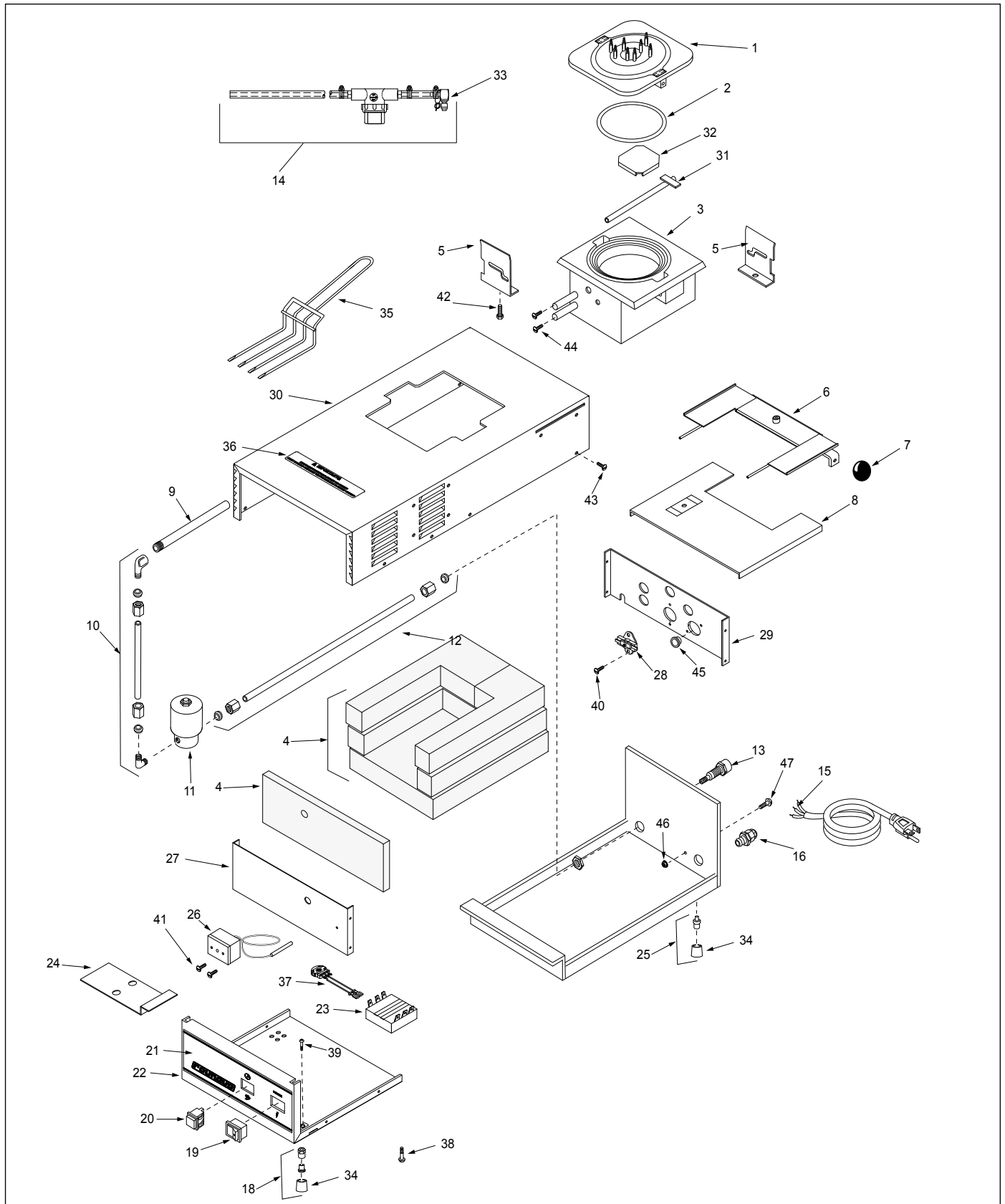
To avoid possible personal injury and/or damage to the unit, inspection, test, and repair of electrical equipment should be performed by qualified service personnel. The unit should be unplugged when servicing, except when electrical tests are required.

Problem	Possible Cause	Corrective Action
Unit does not operate.	Power cord not correctly plugged in.	Plug in the power cord correctly.
	The power cord and/or electrical plug is damaged.	Inspect electrical wire, plug, and receptacle.
	Hi-Limit Thermostat has been tripped or is defective.	Reset circuit breaker. Contact your maintenance person or Authorized Service Agency if it trips again.
	Loose connections.	Check and tighten all connections.
	Power Switch is inoperable.	Contact your maintenance person or Authorized Service Agency for service.
Unit does not steam product evenly.	Main water supply.	Verify water pressure is 20–30 psi.
	Needle Plate clogged.	Clean Needle Plate according to the Maintenance Section of this manual.
	Spray Tube partially clogged.	Clean the Spray Tube according to the Maintenance Section of this manual.
	Diffuser missing.	Reinstall/replace Diffuser.
No heat or insufficient heat. Correct temperature is 360°F–390°F (182°C– 199°C), measured continuously on Generator surface in the cavity.	Thermostat defective.	Remove one wire from Thermostat. Test for continuity. Replace if open.
	Generator defective.	Disconnect one wire from Generator. Check continuity for approximately 16 ohms resistance. Replace if necessary.
Unit flooding or always steaming  OR  Unit floods overnight.	Heavy deposit buildup on Generator.	Clean unit according to Maintenance section of this manual.
	Incorrect water pressure.	Verify water pressure is 20–30 psi.
	Potentiometer defective.	Read 0-2 Vdc at terminals while rotating shaft. Replace if defective.
	Solenoid defective.	Read line voltage at Solenoid leads for 1/2 second every 10 seconds during steaming. Solenoid should click when powered. If not, replace.
	Solid State Timer defective.	Replace Solid State Timer.
Unit heats but will not steam.	Water supply not connected.	Connect water supply.
	Potentiometer set too low.	Adjust Potentiometer according to the Maintenance Section of this manual.
Unit steams too little or too much each time MOMENTARY Switch is pressed.	Potentiometer not adjusted properly.	Adjust Potentiometer according to the Maintenance Section of this manual.

**WIRING DIAGRAM**



### REPLACEMENT PARTS



**REPLACEMENT PARTS (continued)**

Item	Part No.	Description	Qty.
1	0010452	Needle Plate Assy.	1
2	0200121	O-ring	1
3	7000388	Generator, 3800W (240V)	1
4	040K103	Insulation Kit	1
5	0501139	Generator Retainer	2
6	001K105	Lock Lever and Support Assy. (Incl. #7 & 8)	1
7	2100138	Ball Knob	1
8	0020606	Lever Support	1
9	2190105	Tube	1
10	200K126	Generator Tube Kit	1
11	0020419	Solenoid	1
12	200K127	Inlet Tube Kit	1
13	208K106	Quick Disconnect Body	1
14	0010584	Inlet Hose Assy.	1
15	0700323	Power Cord	1
16	040K251	Strain Relief	1
17	0020443	Base	1
18	210K122	Adj. Leg Kit (Set of 4)	1
19	7000542	Switch, Rocker	1
20	4010166	Switch, Momentary	1
21	1000906	Label, Control Panel	1
22	0020967	Electrical Housing Weldment	1
23	4020125	Solid State Timer	1
24	0502816	Timer Bracket	1
25	7000130	Leg Kit (Set of 4)	1
26	403K157	Thermostat	1
27	0501141	Heat Shield	1

Item	Part No.	Description	Qty.
28	4030189	Hi-Limit Thermostat (Mfg. No. 9100200 only)	1
	7000344	Hi-Limit Thermostat (Mfg. No. 9100250 only)	1
29	0501140	Bulkhead	1
30	0501138	Cover	1
31	0020269	Spray Tube	1
32	0500625	Diffuser	1
33	7000139	Quick Disconnect Insert	1
34	210K108	Rubber Tip Kit (Set of 4)	1
35	0800124	Spatula Fork	1
36	1001157	Label, Manifold Cleaning	1
37	4050192	Potentiometer Assy.	1
38	306P113*	Screw, #6-32 x 5/8"	1
39	310P109*	Screw, #10-32 x 7/8"	1
40	308P103*	Screw, #8-32 x 1/4" SS	1
41	308P128*	Screw, #8-32 x 1/4"	1
42	325P109*	Bolt, 1/4-20 x 1/2"	1
43	306P104*	Screw, #6-32 x 1/4"	1
44	308P110*	Screw, #8-32 x 5/16"	1
45	040P111*	Snap Bushing	1
46	308P143*	Nut, Hex, 32 KEPS	1
47	308P115*	Screw, #8-32 x 3/8"	1
48	306P116*	Nut, Hex, #6-32 (not shown)	1
49	020P117*	O-ring, 5/16" Dia. (not shown)	1
50	0700265	Wire Set (not shown)	1
51	<b>2140116</b>	<b>Petrol Gel (not shown)</b>	<b>1</b>

\* Only available in packages of 10.



## LIMITED WARRANTY

Equipment manufactured by Roundup Food Equipment Division of A.J. Antunes & Co. has been constructed of the finest materials available and manufactured to high quality standards. These units are warranted to be free from electrical and mechanical defects for a period of one (1) year from date of purchase under normal use and service, and when installed in accordance with manufacturer's recommendations. To insure continued operation of the units, follow the maintenance procedures outlined in the Owner's Manual. During the first 12 months, electro-mechanical parts, non-overtime labor, and travel expenses up to 2 hours (100 miles/160 km), round trip from the nearest Authorized Service Center are covered.

1. This warranty does not cover cost of installation, defects caused by improper storage or handling prior to placing of the Equipment. This warranty does not cover overtime charges or work done by unauthorized service agencies or personnel. This warranty does not cover normal maintenance, calibration, or regular adjustments as specified in operating and maintenance instructions of this manual, and/or labor involved in moving adjacent objects to gain access to the equipment. This warranty does not cover consumable/wear items. This warranty does not cover damage to the Load Cell or Load Cell Assembly due to abuse, misuse, dropping of unit/shock loads or exceeding maximum weight capacity (4 lbs). This warranty does not cover water contamination problems such as foreign material in water lines or inside solenoid valves. It does not cover water pressure problems or failures resulting from improper/incorrect voltage supply. This warranty does not cover Travel Time & Mileage in excess of 2 hours (100 miles/160 km) round trip from the nearest authorized service agency.
2. Roundup reserves the right to make changes in design or add any improvements on any product. The right is always reserved to modify equipment because of factors beyond our control and government regulations. Changes to update equipment do not constitute a warranty charge.
3. If shipment is damaged in transit, the purchaser should make a claim directly upon the carrier. Careful inspection should be made of the shipment as soon as it arrives and visible damage should be noted upon the carrier's receipt. Damage should be reported to the carrier. This damage is not covered under this warranty.
4. Warranty charges do not include freight or foreign, excise, municipal or other sales or use taxes. All such freight and taxes are the responsibility of the purchaser.
5. THIS WARRANTY IS EXCLUSIVE AND IS IN LIEU OF ALL OTHER WARRANTIES, EXPRESSED OR IMPLIED, INCLUDING ANY IMPLIED WARRANTY OR MERCHANTABILITY OR FITNESS FOR A PARTICULAR PURPOSE, EACH OF WHICH IS HEREBY EXPRESSLY DISCLAIMED. THE REMEDIES DESCRIBED ABOVE ARE EXCLUSIVE AND IN NO EVENT SHALL ROUNDUP BE LIABLE FOR SPECIAL CONSEQUENTIAL OR INCIDENTAL DAMAGES FOR THE BREACH OR DELAY IN PERFORMANCE OF THIS WARRANTY.



**A.J. Antunes & Co.**

**We exist to make our customers successful.**

---

**A.J. Antunes & Co.**  
**Headquarters/Manufacturing**  
**Carol Stream, Illinois 60188 USA**  
**Phone: (630) 784-1000**  
**Toll Free: (800) 253-2991**  
**Fax: (630) 784-1650**

**Antunes Equipment**  
**Manufacturing (Suzhou) Ltd.,**  
**Suzhou, Jiangsu, China 215011**  
**Phone: 86-512-6841-3637**  
**Toll Free: 400-0-7878-22**  
**Fax: 86-512-6841-3907**

**[www.ajantunes.com](http://www.ajantunes.com)**