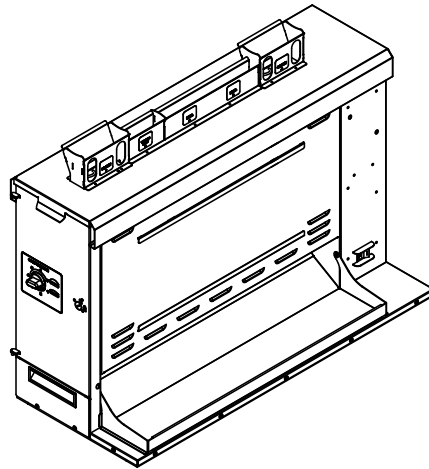


roundup
by A.J. Antunes & Co. ®



Toaster

GST-5V owner's manual

Manufacturing Numbers:

9210880

CONTENTS

General	2
Warranty	2
Information	2
Service/Technical Assistance	2
Important Safety Information	3
Warnings	3
Specifications	4
Dimensions	4
Electrical Specifications & Plug Configuration	4
Installation	5
Unpacking	5
Location	5
Language Selection	6
Operating Instructions	6
Control Panel	6
Settings	6
Factory Reset	7
Adjusting Toast Quality	7
Maintenance	7
Daily Cleaning	7
Cleaning and Sanitizing the Belts (Daily)	8
Replacing Belts (Quarterly)	11
Installing Belts	12
Cleaning the Top Cooling Fan and Electrical Housing (Annually)	13
Cleaning the Rear Cooling Fan and Electrical Housing (Annually)	13
Troubleshooting	14
Replacement Parts	18
Optional Accessory	18
Wiring Diagram	24
Notes	25

GENERAL

This manual provides the safety, installation, and operating procedures for your toaster. Please read all of the information contained in this manual prior to installing and operating the toaster.

Your toaster is manufactured from the finest materials available and is assembled to Roundup's strict quality standards. This toaster was tested at the factory to ensure dependable trouble-free operation.

WARRANTY INFORMATION

Please read the full text of the Limited Warranty in this manual.

If the unit arrives damaged, contact the carrier immediately and file a damage claim with them. Save all packing materials when filing a claim. Freight damage claims are the responsibility of the purchaser and are not covered under warranty.

The warranty does not extend to:

- Damages caused in shipment or damage as result of improper use.
- Installation of electrical service.
- Normal maintenance as outlined in this manual.
- Malfunction resulting from improper maintenance.
- Damage caused by abuse or careless handling.
- Damage from moisture into electrical components.

Damage from tampering with, removal of, or changing any preset control or safety device.

SERVICE/TECHNICAL ASSISTANCE

If you experience any problems with the installation or operation of your system, contact A.J. Antunes & Co. at 1-630-784-1000, or toll free in the United States at 1-800-253-2991.

Fill in the information in the next column and have it handy when calling for assistance. The serial number is on the specification plate located on the system.

Purchased From

Date of Purchase

Model Number

Serial Number

Mfg. Number

Use only genuine Roundup replacement parts in this unit. Use of replacement parts other than those supplied by the manufacturer will void the warranty. Your Authorized Service Agency has been factory trained and has a complete supply of parts for this unit.

Visit www.ajantunes.com or contact the factory at 1-630-784-1000 to locate your nearest Authorized Service Agency.

Refer to the service agency directory packaged with your manual and fill in the information below.

Authorized Service Agency

Name

Phone Number

Address

IMPORTANT SAFETY INFORMATION

Use the following guidelines for safe operation of the unit.

- Read all instructions before using equipment.
- For your safety, the equipment is furnished with a properly grounded cord connector. Do not attempt to defeat the grounded connector.
- Install or locate the equipment only for its intended use as described in this manual. Do not use corrosive chemicals in this equipment.
- Do not operate this equipment if it has a damaged cord or plug, if it is not working properly, or if it has been damaged or dropped.
- This equipment should be serviced by qualified personnel only. Contact your nearest Authorized Service Agency for adjustment or repair.
- Do not block or cover any openings on the unit.
- Do not immerse cord or plug in water.
- Keep cord away from heated surfaces.
- Do not allow cord to hang over edge of table or counter.
- Turn the power off, unplug the power cord, and allow unit to cool down before performing any service or maintenance on the unit.
- The equipment should be grounded according to local electrical codes to prevent the possibility of electrical shock. It requires a grounded receptacle with separate electrical lines, protected by fuses or circuit breaker of the proper rating.
- All electrical connections must be in accordance with local electrical codes and any other applicable codes.
- Do not clean this appliance with a water jet.
- This appliance is not to be used by persons (including children) with reduced physical, sensory, or mental capabilities, or lack of experience and knowledge unless they have been given supervision or instructions.
- Do not allow children to play with the appliance.

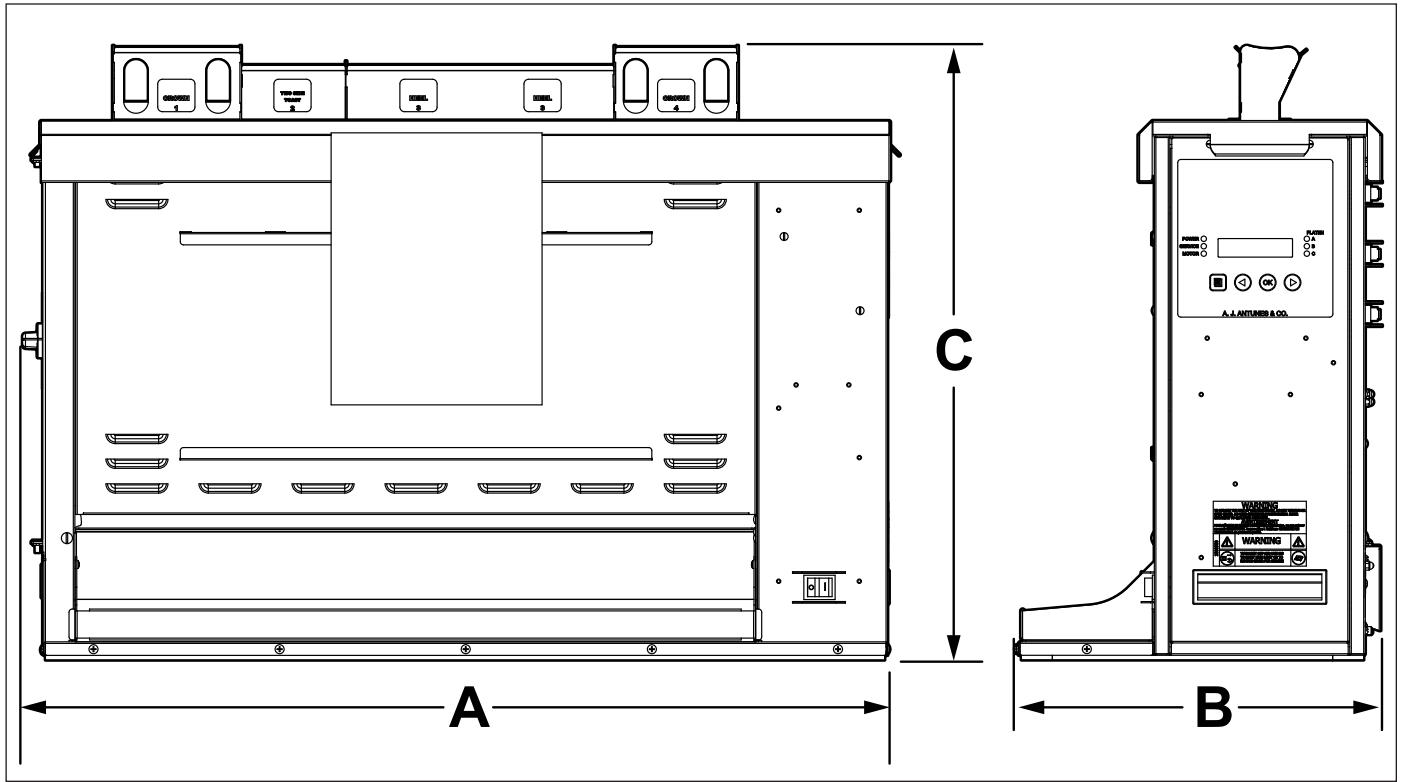
WARNINGS

Be advised of the following warnings when operating and performing maintenance on this unit.

- If the supply cord is damaged, it must be replaced by the manufacturer or its service agent or a similarly qualified person in order to avoid a hazard.
- Do not modify the power supply cord plug. If it does not fit the outlet, have a proper outlet installed by a qualified electrician.
- Do not use an extension cord with this appliance.
- Electrical ground is required on this appliance.
- Check with a qualified electrician if you are unsure if the appliance is properly grounded.
- If a chemical cleaner is used, be sure it is safe to use on cast aluminum. Observe all precautions and warnings on product label.
- Inspection, testing, and repair of electrical equipment should only be performed by qualified service personnel.
- This equipment is to be installed to comply with the basic plumbing code of the Building Officials and Code Administrators, Inc. (BOCA) and the Food Service Sanitation Manual of the Food and Drug Administration (FDA).
- To ensure proper steaming characteristics, some calcium/mineral deposits must be present on the generator surface. If, during cleaning, the surface does become free of calcium/mineral deposits, add plain tap water to the surface and allow it to boil off. This may have to be repeated several times to ensure proper steaming characteristics by creating a thin layer of deposits on the surface.
- Do not use a sanitizing solution or abrasive materials. The use of these may cause damage to the stainless steel finish.
- Chlorides or phosphates in cleaning agents (e.g. bleach, sanitizers, degreasers or detergents) could cause permanent damage to stainless steel equipment. The damage is usually in the form of discoloration, dulling of metal surface finish, pits, voids, holes, or cracks. This damage is permanent and not covered by warranty.

- The following tips are recommended for maintenance of your stainless steel equipment:
- Always use soft, damp cloth for cleaning, rinse with clear water and wipe dry. When required, always rub in direction of metal polish lines.
- Routine cleaning should be done daily with soap, ammonia detergent, and water.
- Stains and spots should be sponged using a vinegar solution.
- Finger marks and smears should be rubbed off using soap and water.
- Hard water spots should be removed using a vinegar solution.

SPECIFICATIONS



Dimensions

Model & Mfg. No.	Width (A)	Depth (B)	Height (C)
GST-5V 9210880	34.25 inches (870 mm)	14.75 inches (375 mm)	24.84 inches (631 mm)

Electrical Specifications & Plug Configuration

Model & Mfg. No	Volt	Watts	Hz.	Plug Description
GST-5V 9210880 (International)	230	4600	50/60	IEC 309-Plug, 32 Amp., 230 VAC Three Pin

INSTALLATION

Unpacking

1. Open the large box. It contains:
 - GST-5V toaster
 - Accessories box
2. Remove the accessories box from the large box.
3. With the help of another person, carefully remove the GST-5V from the large box.
4. Remove all protective coverings from the unit.
5. Open the Accessories Box. It contains:
 - Owner's Manual
 - Bun Buffer Frame
6. Wipe the entire exterior of the toaster and the accessories mentioned above with a clean towel sprayed with an approved sanitizer. Allow to air dry.

NOTE: Handle accessories with care. If an accessory becomes bent or damaged, it may not attach to the unit correctly, which may affect normal operation.

NOTE: If any parts are missing or damaged, contact A.J. Antunes Technical Service IMMEDIATELY at 1-877-392-7854 (North America only), or 630-784-1000.

Location

When placing the toaster into service, pay attention to the following guidelines:

- Make sure power is off and the toaster is at room temperature.
- Do NOT block or cover any openings on the unit.
- Do NOT immerse cord or plug in water.
- Keep cord away from heated surfaces.
- Do NOT allow cord to hang over edge of table or counter.

1. Place the toaster in the required position.
2. Attach the Bun Feeder and Bun Buffer Frame accessories (Figure 1).
3. Attach the optional Top Feeder if present (Figure 1).
4. Plug the power cord into an appropriate power outlet. Refer to the specification plate for the proper voltage.

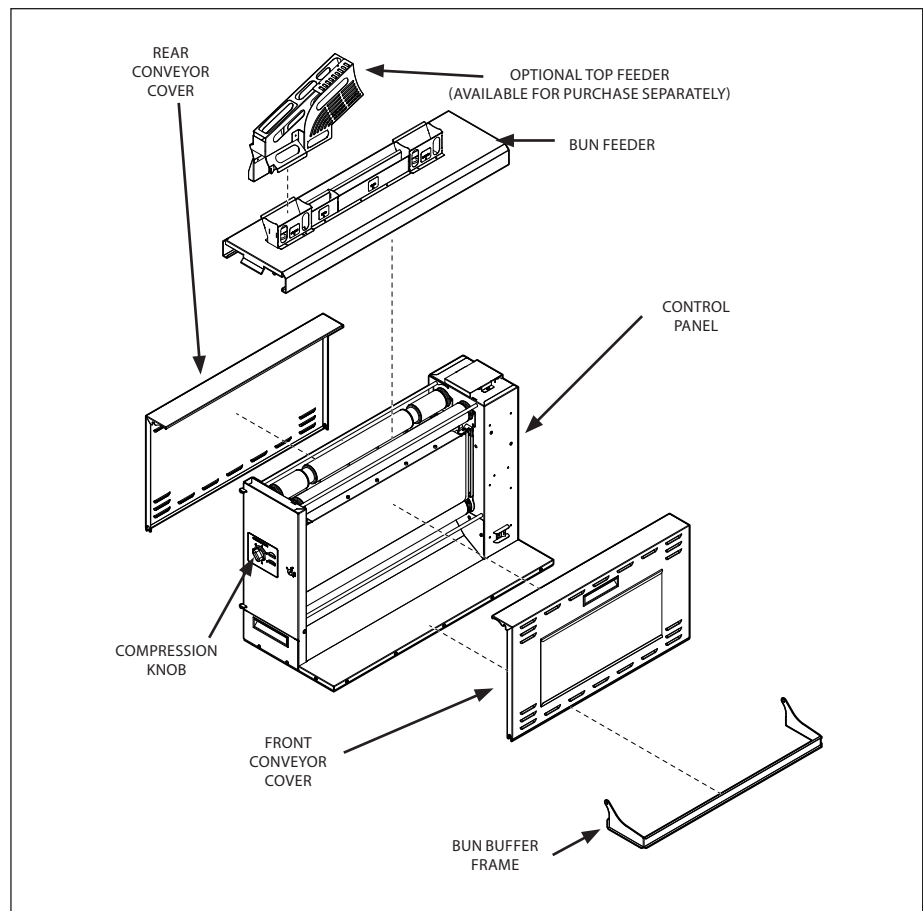


Figure 1. GST-5V Components (Belts not Shown)

Language Selection

Follow these steps to set the language option for the GST-5V toaster.

1. Plug in the power cord and turn the toaster on.
2. See Figure 1. Press and hold the MENU button for five seconds.
3. Press the LEFT ARROW button five times so that the display shows "English".
4. Press the OK button.
5. Use the LEFT and RIGHT ARROW buttons to select your preferred language. The available languages appear in the following order:
 - English
 - Spanish
 - French Canadian
 - French
 - German
 - Portuguese
 - Italian
 - Swedish
 - Russian
 - Mandarin Chinese
 - Japanese
6. Press the OK button to save the changes.
7. Return the toaster to service.

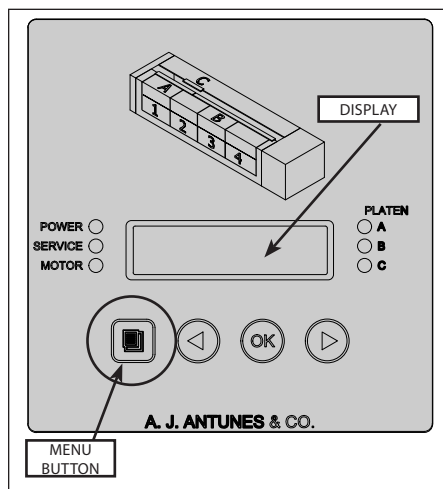


Figure 1. GST-5V Control Panel and Display

OPERATING INSTRUCTIONS

The GST-5V toasts Crowns, Heels, Clubs, and other products. Follow these steps to start the GST-5V:

1. Turn on the toaster and wait for warm-up to complete.

NOTE: The toaster fans turn on after the A, B, or C Platen temperature reaches 66°C (150°F).

2. Set the Compression Knob to 4 (recommended). If you use setting 5, refer to Table 1 (page 8) for the required internal settings.
3. When the unit reaches operating temperature, the control panel displays "Ready".
4. Insert product into the designated area of the Bun Feeder Assembly with the cut side of the bun facing towards the front. Toasted product drops into the Bun Buffer.

Control Panel

The control panel is located on the right side of the unit. The LEDs on the control panel light to signify when each item is operating. The Service LED lights and the corresponding LED (Motor, A Platen, B Platen, C Platen) blinks when the unit requires service. A message also appears on the display.

Settings

Follow the steps below to view and adjust the settings of the GST-5V.

1. When the unit is plugged in, press and hold the MENU button (Figure 4) for five seconds. The control panel displays "A Platen." The display scrolls to show the actual temperature, SSR Duty cycle, and the setpoint. Example: A Platen: 271°C 35% 271°C

NOTE: The unit does not have to be turned on in order to access the settings menu.

2. Use the LEFT and RIGHT arrow buttons (Figure 4) to scroll through the settings, which appear in the following order:

- A Platen
- B Platen
- C Platen
- Units (°C/°F)
- Buzzer (Soft, Loud, Mute)
- Display Languages
- ET (Elapsed Time)
- Controls Temperature
- Motor

3. To change a setting, press the OK button and then use the LEFT and RIGHT arrow buttons to adjust as needed. Press the OK button again to save the changes. See Figure 4.

NOTE: The Elapsed Time and Control Temperature can not be adjusted.

The table below describes the settings for the A Platen, B Platen, C Platen, and Motor depending on the Compression Knob setting:

Compression Setting #4	Compression Setting #5
A Platen: 271°C (520°F)	A Platen: 275°C (527°F)
B Platen: 271°C (520°F)	B Platen: 275°C (527°F)
C Platen: 254°C (490°F)	C Platen: 255°C (491°F)
Motor: 4100	Motor: 4000

Factory Reset

To reset the unit to the factory default settings, press and hold the LEFT and RIGHT arrow buttons for 5 seconds until "Factory Settings Restored" appears on the display.

NOTE: For ALL Units, this sets the display temperature to °C (Celsius). Refer to the "Settings" section of this manual to change the display temperature to °F (Fahrenheit).

Adjusting Toast Quality

When the unit is turned on and ready, you can adjust the toast quality by pressing the LEFT and RIGHT arrow buttons on the control panel. After making an adjustment, test several products to verify they are toasting at the desired quality.

NOTE: This setting is maintained when the unit is powered off.

NOTE: If at any time the unit displays an error message or if it fails to operate properly, contact the factory immediately for service.

MAINTENANCE

Daily Cleaning

1. Turn the toaster off. The toaster enters a cool-down mode and will automatically shut down when complete.

NOTE: You do NOT need to wait for the cool down to complete.

2. Put on neoprene gloves. Remove the optional Top Feeder (if present). Remove the Bun Feeder and Angular Bun Feeder (Figure 5).
3. Clean the outside surfaces of the toaster with a paper towel sprayed with an approved multi-surface cleaner. Allow to air dry.
4. Wipe the Top Feeder (if present) and Bun Feeder with a paper towel sprayed with an approved multi-surface cleaner. Allow to air dry.
5. Reattach items onto the unit. Plug the power cord into the outlet. Turn the unit on.

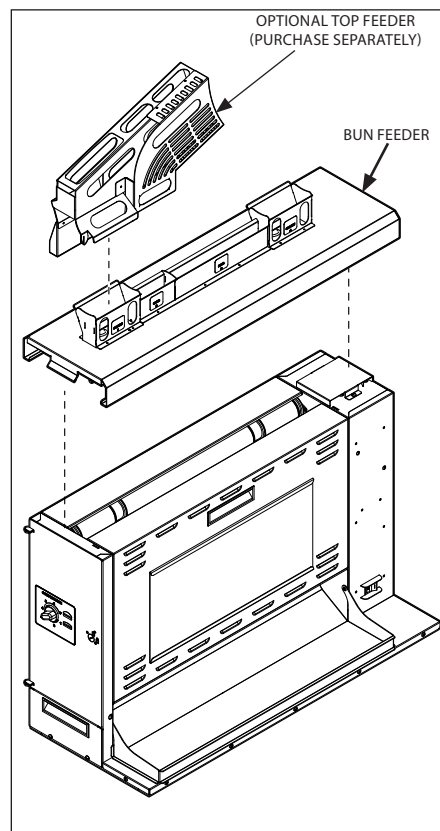


Figure 5. Bun Feeder

Cleaning and Sanitizing the Belts (Daily)

1. Turn the toaster off. The toaster enters a cool-down mode and automatically shuts down when complete.

NOTE: You do NOT need to wait for the cool down to complete.

2. Put on neoprene gloves. Remove optional Top Feeder (if present) and remove the Bun Feeder.
3. Clean the exterior of the toaster with a paper towel sprayed with an approved multi-surface cleaner solution.
4. Remove the Front Conveyor Covers by lifting up and away from the unit (Figure 9 next page).

NOTE: Replace all Belts if any of the Belts are discolored, torn, or if any of the Belt snaps are damaged.

NOTE: Only clean the Belt when it is in front of the Backing Plate. This avoids causing damage to the belt. The conveyors continue to turn during the cool-down period, allowing you to clean the entire Belt.

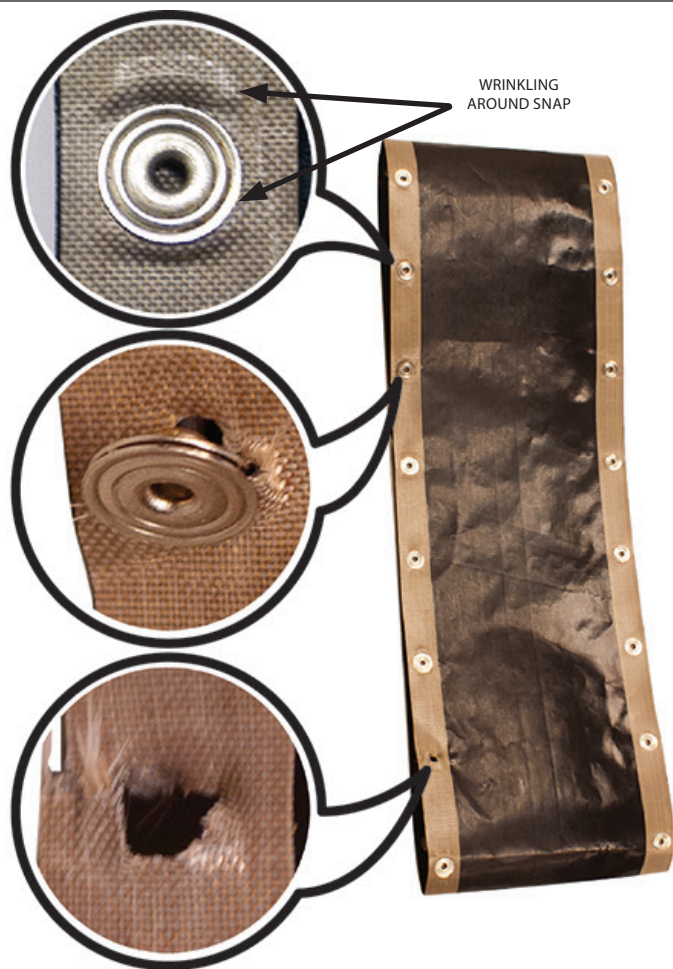
5. Inspect the front Belt and rear Belts. Refer to Figures 6, 7, and 8. Replace all of the Belts if any of them are torn, folded, discolored, missing snaps, or damaged in any way.
Continued on page 10.



Belt is torn and folded. Replace all Belts.



Belt is missing snaps and is damaged. Replace all Belts.



BELT IS WRINKLING/DISTRESSED AROUND SNAPS, Has LOOSE/DAMAGED SNAPS, AND IS MISSING SNAPS. REPLACE DEFECTIVE BELT

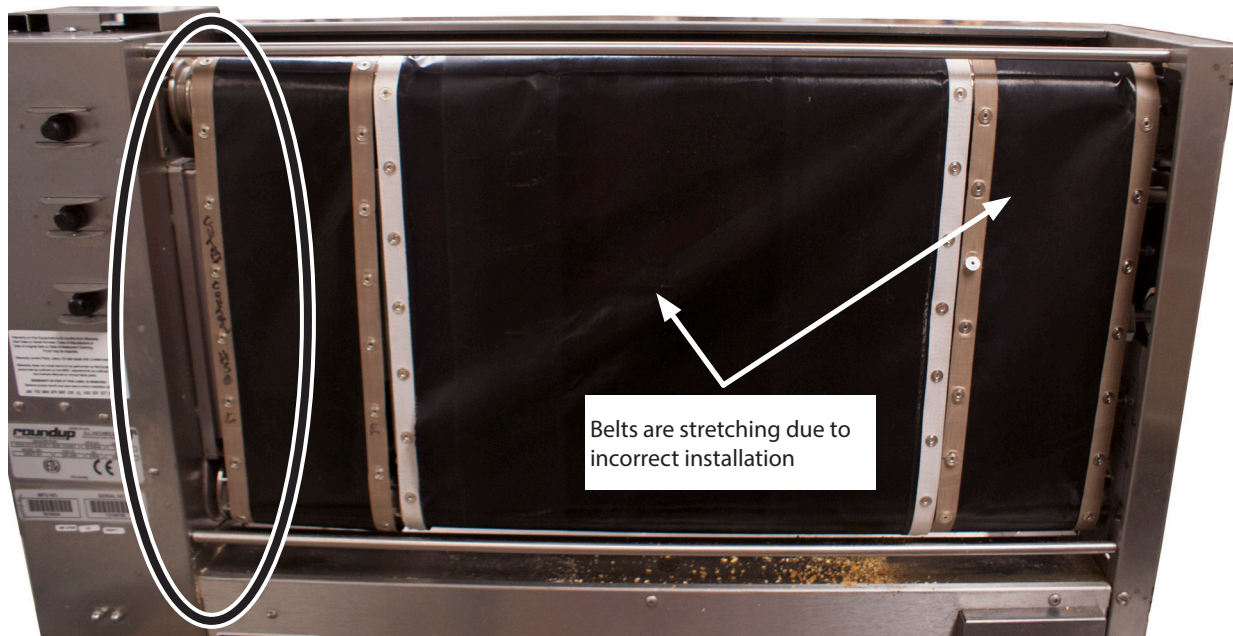
CORRECT BELT INSTALLATION

The belts are aligned vertically on the top and bottom rollers. The rollers are not visible when the belts are correctly positioned because the snaps are properly positioned.



INCORRECT BELT INSTALLATION.

The rollers are visible in the circled section. The belts are not aligned properly. Misaligned belts shift off the rollers to the left or right. In this image, the belts are shifted to the right and the snaps are not correctly positioned on the rollers. The belts are stretching which may result in torn belts or broken snaps.



6. If the Belts are all in good condition, spray a clean, sanitized towel with an approved sanitizer. Wipe the Front Belt clean.
7. Wipe the Front Belt with a clean, sanitized towel sprayed with an approved sanitizer. Allow to air dry.
8. Clean the Rear Belts using the same procedure in Step 6.

NOTE: Only clean the Belt where it is in front of the Backing Plate. This avoids causing damage to the belt (Figure 10).

9. Place all towels used to clean the toaster and belts into the soiled towel bucket.
10. Clean the Front and Rear Conveyor Covers with a paper towel sprayed with an approved multi-surface cleaner. Allow to air dry.
11. Re-install the Front and Rear Conveyor Covers and then re-install the Bun Feeder. Re-install the optional Top Feeder (if present)
12. Turn the toaster on and test the unit before returning it to service.

NOTE: For heavy carbon buildup, Steps 6 - 8 may need to be repeated several times to achieve desired cleanliness.

NOTE: Be sure to clean and sanitize the Belts completely. Failure to properly clean the Belts will shorten the life of the Belts and result in poor toaster performance.

NOTE: Replace the Belts if they show excessive wear and tear. To obtain new Belts, contact the factory at 1-877-392-7854 (North America only) or 630-784-1000.

NOTE: Belts should be removed ONLY during Belt replacement or when required in a service situation.

NOTE: All Belt Wraps must be replaced every 90 days.

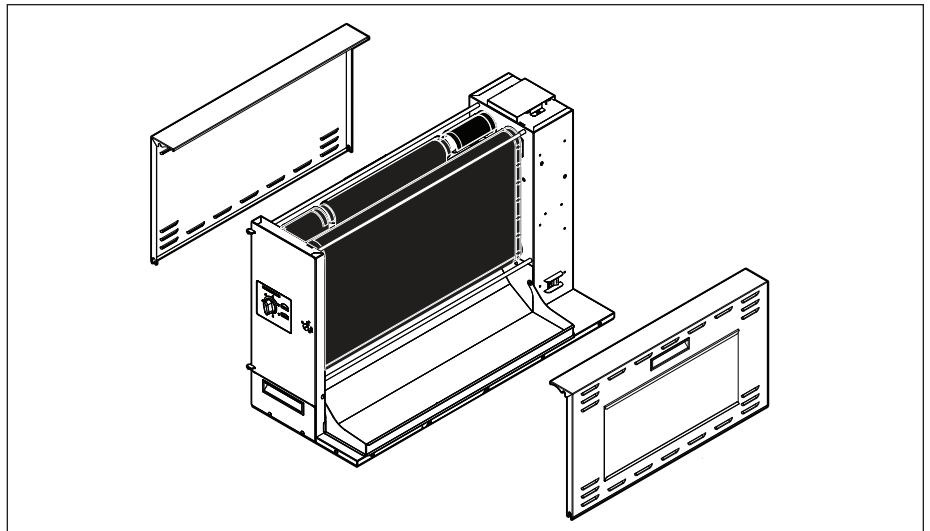


Figure 9. Front and Rear Conveyor Covers

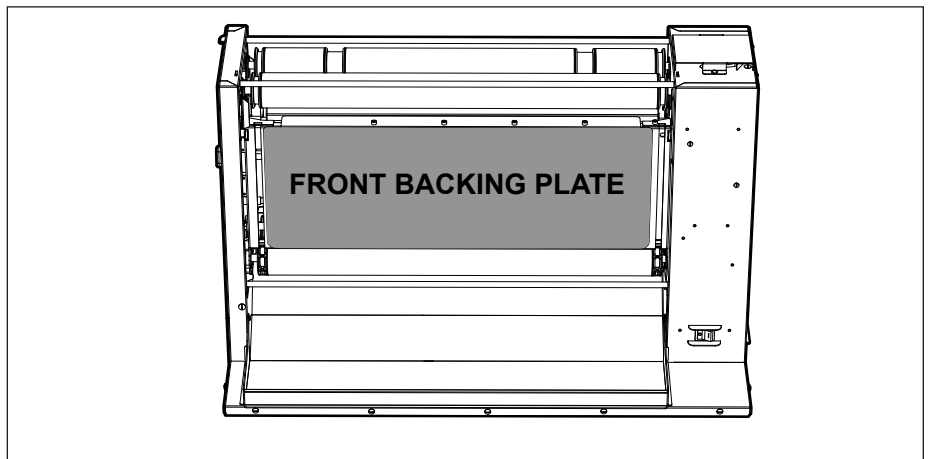


Figure 10. Front Belt Backing Plate Location

Replacing Belts (Quarterly)

Over time, the Belts will begin to show signs of wear (tearing or discoloration of the belt) at which point the belts should be replaced.

NOTE: Belts should be removed **ONLY** during Belt Replacement or when required in a service situation. For proper operation, replace all belts at the same time.

NOTE: All Belts **MUST** be replaced every 90 days.

Removing Belts

1. Turn the toaster's power switch to the off position. The toaster enters a cool-down mode and will automatically shut down when complete.
2. Unplug the power cord once the cool-down period is complete.
3. Put on neoprene gloves. Remove the optional Top Feeder (if present) and remove the Bun Feeder.
4. Remove the Front and Rear Conveyor Covers by lifting up and away from the toaster.
5. Set the Compression Knob to 7. Unlock the latch and open the left side panel.
6. To lock the front Conveyor Roller, face the front of the toaster. Use both hands and push down on the Front Conveyor Roller and pull towards you. This removes tension and locks the roller in place (Figure 11).
7. To lock the Rear Roller, face the rear of the toaster. Use both hands and push down on the Rear Conveyor Roller and pull towards you. This removes tension and locks the roller in place (Figure 11).
8. Lift the upper Belt Frame Lock. Then rotate down so it rests on the cam shaft of the rear conveyor roller. (Figure 12).
9. Pull down the lower Belt Frame Lock (Figure 12).
10. Remove and discard the Front Belt (the recommendation is to cut it in half so it cannot be used again). See Figure 13.
11. Remove and discard the Rear Belts (the recommendation is to cut them in half so they cannot be used again). See Figure 13.
12. Wipe all four rollers with a clean towel sprayed with sanitizer. Make sure to remove all debris from the rollers so they are as clean as possible.

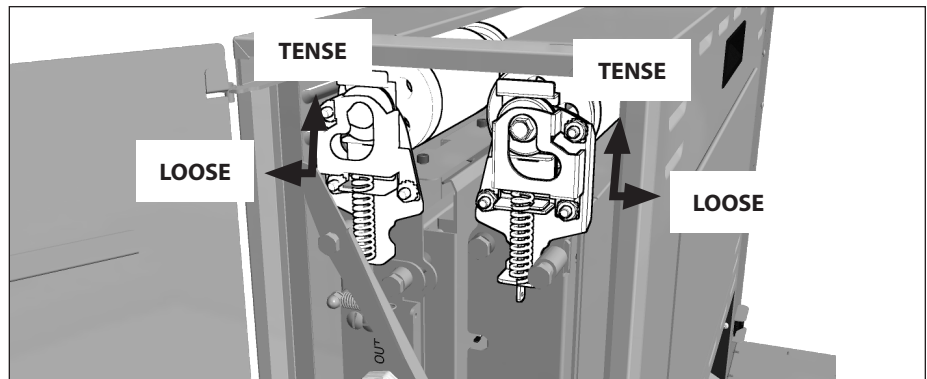


Figure 11. Conveyor Rollers

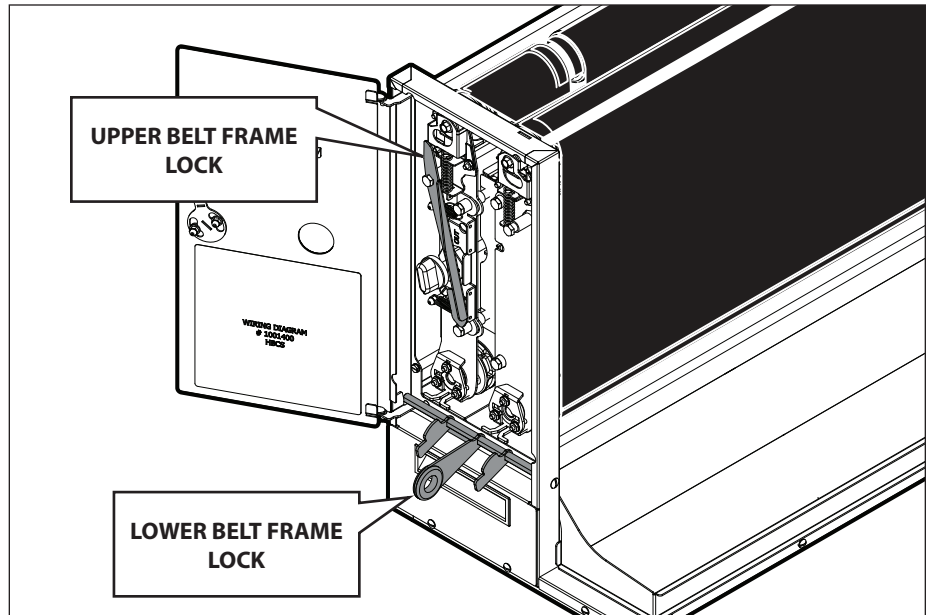


Figure 12. Conveyor Locks

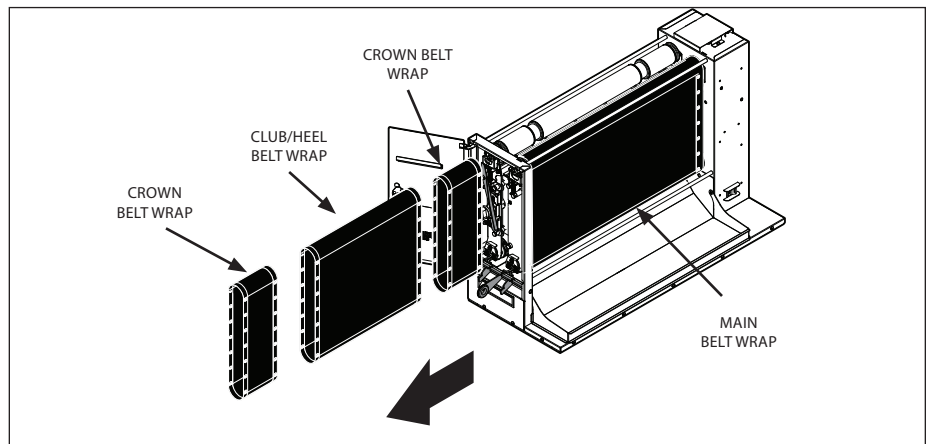


Figure 13. Remove and Discard the Belts
DO NOT REUSE THE BELTS!

Installing Belts

1. Follow the steps for Removing Belts.
2. Wipe both sides of the new Belts with a clean, sanitized towel sprayed with an approved sanitizer and allow to air dry.
3. Wipe all four rollers and the backing plate with a clean towel sprayed with sanitizer. Make sure to remove all debris from the rollers and backing plate so they are as clean as possible.
4. Slide the new front belt gently over the front top roller and front bottom roller.

NOTE: Make sure the belt lines up properly on the rollers. The snaps on the belts should face the inside of the top front roller.

5. Slide the first crown belt over the rear top roller and rear bottom roller. Repeat this step for the club/heel belt and the second crown belt.

NOTE: Make sure the belt lines up properly on the rollers. The snaps on the belts should face the inside of the top rear roller.

6. Return the Front and Rear Belt Rollers to full tension by lifting them up so each roller locks into place (Figure 14).
7. Slowly lift up the Lower Belt Frame Lock so the Front and Rear Belt Rollers lock into place (Figure 15). If necessary, lift up the cam shaft of the Rear Belt Roller while lifting the Lower Belt Frame Lock into place.
8. Re-engage the Upper Belt Frame Lock by lifting up and then locking it in place on the Front Conveyor Assembly (Figure 15).
9. Close and latch the Side Panel.

NOTE: Inform the Store Manager after any Belt Replacement so new Belts can be ordered. To obtain new Belts, contact the factory at 1-877-392-7854 (North America only) or 630-784-1000.

10. Set the Compression Knob to 4.
11. Re-install the Front and Rear Conveyor Covers and then the Bun Feeder. Re-install the optional Top Cover assembly (if present).
12. Plug in the toaster and test the unit before returning to service.

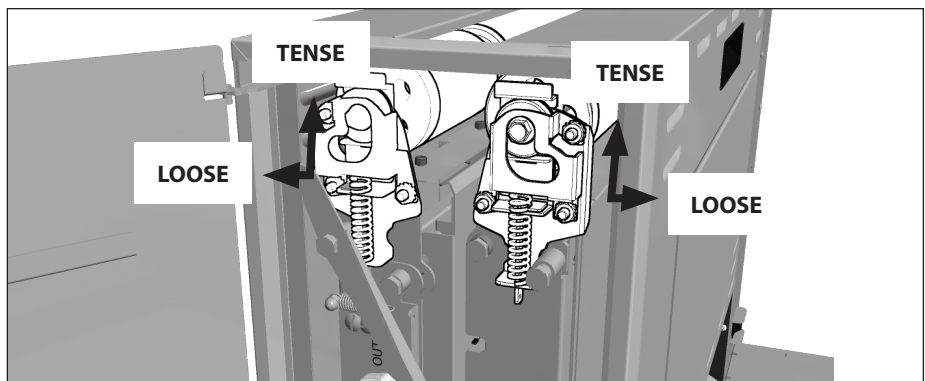


Figure 13. Conveyor Rollers

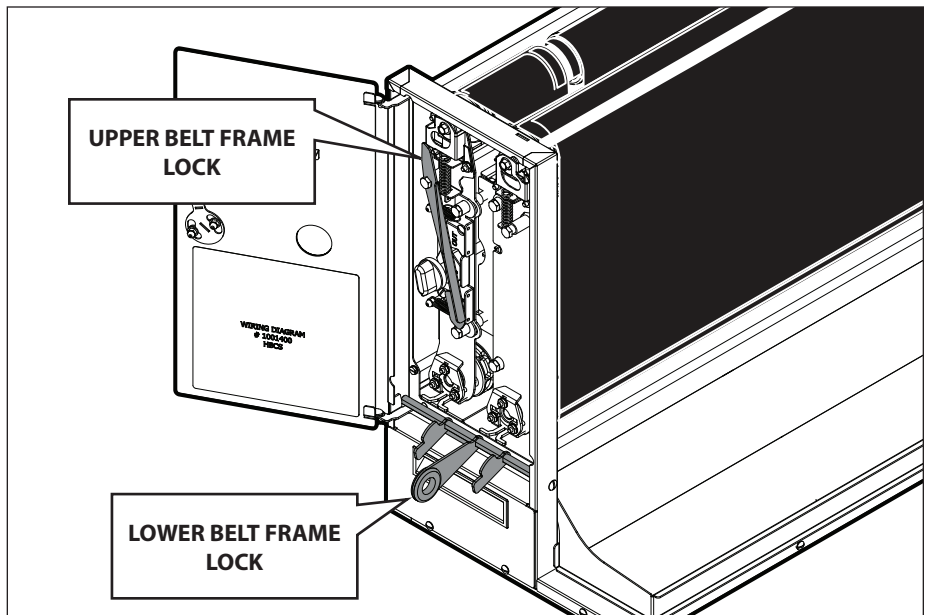


Figure 14. Conveyor Locks

Cleaning the Top Cooling Fan and Electrical Housing (Annually)

Follow these steps to clean the top fan.

1. Turn the power switch to the OFF position. The toaster enters a cool-down mode and will automatically shut down when complete. Unplug the power cord.
2. Remove the optional Top Feeder (if Present). Remove the Bun Feeder.
3. Facing the front of the toaster, move to the right Side Panel. Remove the 2 top screws from the right Side side Panel and lower the panel (Figure 16).
4. Use a plastic brush or similar tool to brush all 5 fan blades from beneath. Be sure to remove all debris.
5. Carefully clean any debris from the inside floor of the control compartment and from all electrical connections. Be sure to remove any grease, lint, or debris from these areas.
6. Attach the right Side Panel and secure with screws.
7. Resassemble the unit.

Cleaning the Rear Cooling Fan and Electrical Housing (Annually)

Follow these steps to clean the rear fan.

1. With the unit off, remove the 3 rear screws securing the rear access panel and carefully lower the panel (Figure 17).
2. Use a plastic brush or similar tool to brush all 5 fan blades free of debris.
3. Carefully clean any debris from the floor of the toaster and from all electrical connections. Be sure to remove any grease, lint, or debris from these areas.
4. Attach the rear panel and secure with the 3 screws.

NOTE: Be careful not to pinch wiring upon closing the rear panel.

5. Plug in the power cord, turn the power switch on, and test the toaster for proper operation.

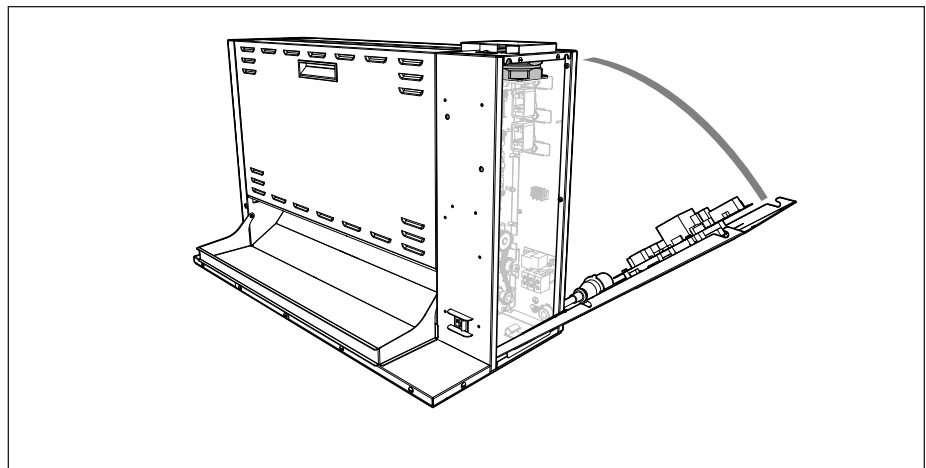


Figure 16. Accessing Top Cooling Fan

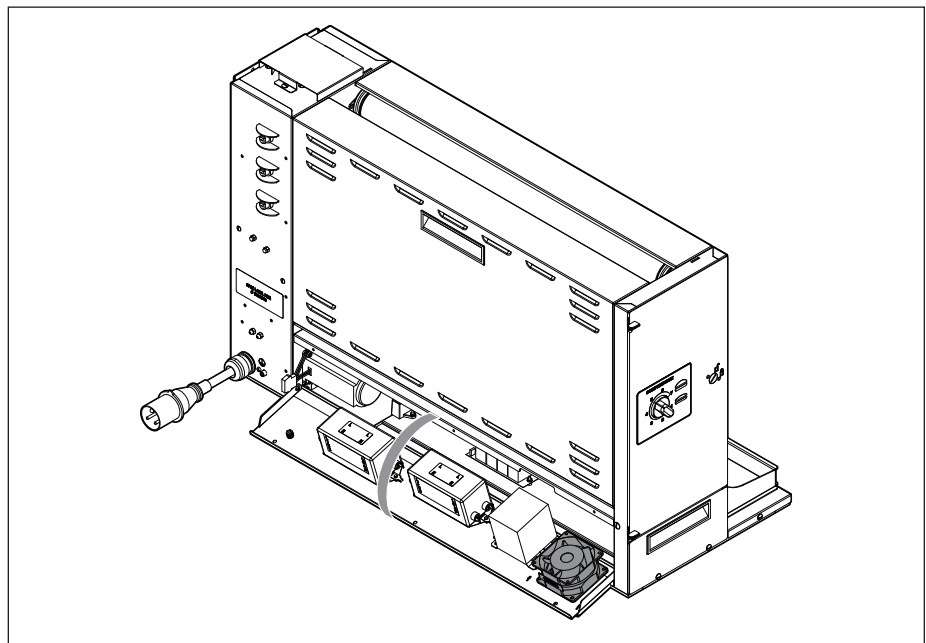


Figure 17. Accessing Rear Cooling Fan

TROUBLESHOOTING

WARNING

To avoid possible personal injury and/or damage to the unit, inspection, test and repair of electrical equipment should be performed by qualified service personnel. The unit should be unplugged when servicing, except when electrical tests are required. If the troubleshooting steps listed do not solve your machine problem, contact an Authorized Service Agency for further assistance or service.

NOTE: The table below describes troubleshooting related to the unit display.

Problem	Possible Cause	Corrective Action
Unit displays error message: “SSR ‘A’ Fail. Toaster Shut Down” . Followed by a cool down cycle. Power, Motor, ‘B’, and ‘C’ lights are solid and Service and ‘A’ lights are flashing.	SSR is stuck closed causing platen ‘A’ temperature to exceed 343°C (650°F).	Cycle power off and on if fault message persist; contact your Maintenance person or Authorized Service Agency for service.
	Failed Display Board.	
	Failed I/O Board.	
Unit displays error message: “SSR ‘B’ Fail. Toaster Shut Down” . Followed by a cool down cycle. Power, Motor, ‘A’, and ‘C’ lights are solid and Service and ‘B’ lights are flashing.	SSR is stuck closed causing platen ‘B’ temperature to exceed 343°C (650°F).	Cycle power off and on if fault message persist; contact your Maintenance person or Authorized Service Agency for service.
	Failed Display Board.	
	Failed I/O Board.	
Unit displays error message: “SSR ‘C’ Fail. Toaster Shut Down” . Followed by a cool down cycle. Power, Motor, ‘A’, and ‘B’ lights are solid and Service and ‘C’ lights are flashing.	SSR is stuck closed causing platen ‘C’ temperature to exceed 343°C (650°F).	Cycle power off and on if fault message persist; contact your Maintenance person or Authorized Service Agency for service.
	Failed Display Board.	
	Failed I/O Board.	
Unit displays error message: “High Limit Tripped. Toaster Shut Down” . Followed by a cool down cycle.	Failed Platen Thermocouple causing the High Limit to trip.	Allow unit to cool and reset the High Limit. If the High Limit trips again, contact your Maintenance person or Authorized Service Agency for service.
	Defective High Limit	
Unit displays error message: “Conveyor Stopped. Toaster Shut Down” . Followed by a cool down cycle. Power, ‘A’, ‘B’, and ‘C’ lights are solid and Service and Motor lights are flashing.	Mechanical bind in one of the conveyors.	Cycle power off and on if fault message persist; contact your Maintenance person or Authorized Service Agency for service.
	Defective Motor	
	Damaged Ball Bearing(s).	
	Drive chain or sprockets are damaged.	
	Failed Display Board.	
	Failed I/O Board.	
Unit displays error message: “Internal Error. Power Plug: Out/In” .	Internal board error.	Turn unit off and unplug . Plug unit back in, Turn unit on and if error persists; contact your Maintenance person or Authorized Service Agency for service.
Unit displays error message: “Control Temperature Fail. Toaster Shut Down” . Followed by a cool down cycle. The control compartment’s ambient temperature is above 60°C (140°C).	Cooling Fan(s) are dirty and need to be cleaned.	Verify vents on toaster are unblocked and not near other heating appliances. Clean fans describe in the Maintenance section of this manual. If error persists contact your maintenance person or Authorized Service Agency for service.
	Failed Cooling Fan(s).	
	Failed Display Board.	
	Failed I/O Board.	
Problem	Possible Cause	Corrective Action
Unit displays fault message: “‘A’ System Fail” . Followed by a graphic display. Power, Motor, ‘B’, and ‘C’ lights are solid and Service and ‘A’ lights are flashing.	SSR is stuck open causing platen ‘A’ to not reach set point within 30 minutes.	Cycle power off and on if fault message persist; contact your Maintenance person or Authorized Service Agency for service.
	Failed Platen ‘A’ Heater.	
	Failed Display Board	
	Failed I/O Board.	
	Loose wire or connection.	
	Failed thermocouple.	

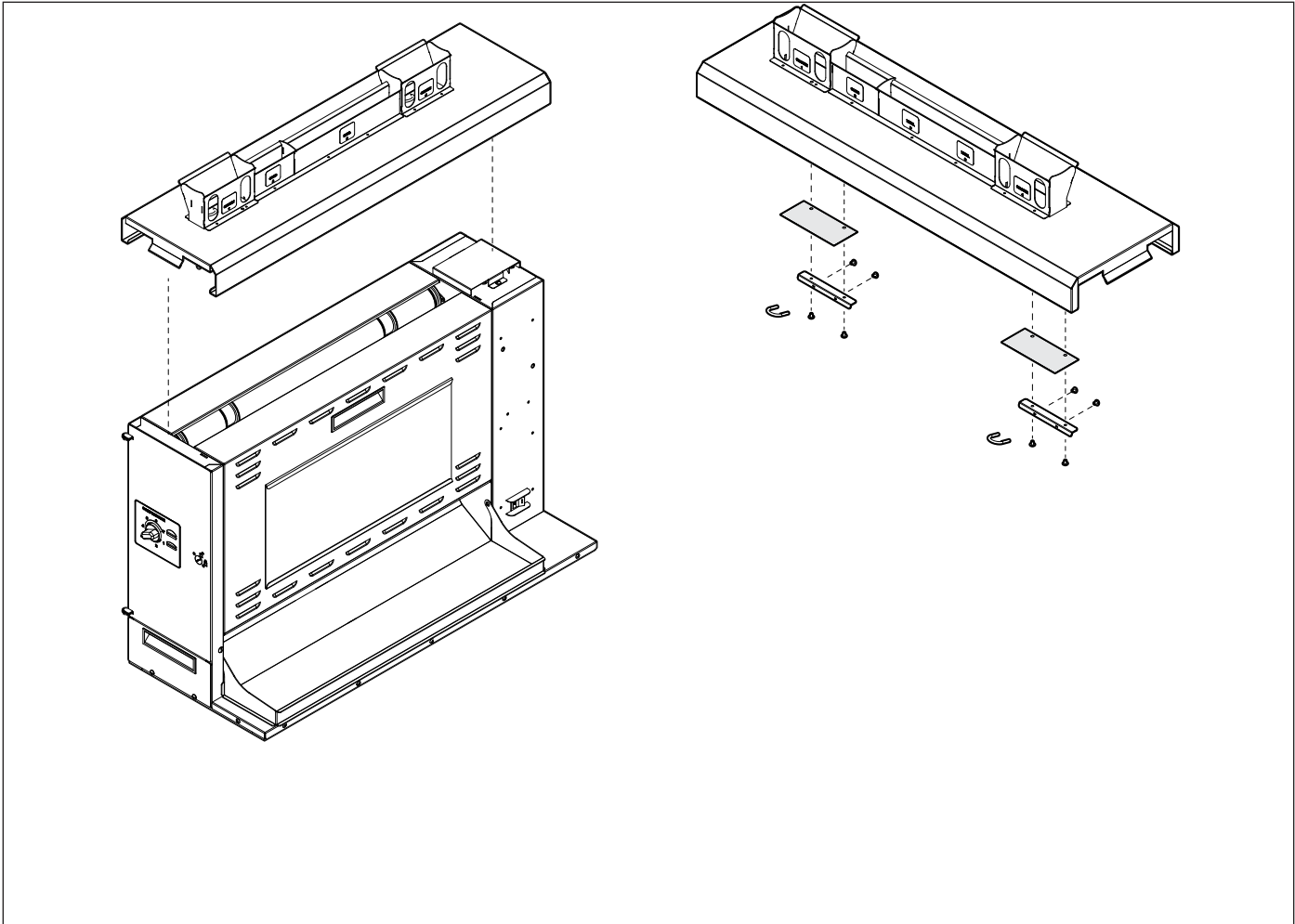
Problem	Possible Cause	Corrective Action
Unit displays fault message: “B’ System Fail” . Followed by a graphic display. Power, Motor, ‘A’, and ‘C’ lights are solid and Service and ‘B’ lights are flashing.	SSR is stuck open causing platen ‘B’ to not reach set point within 30 minutes.	Cycle power off and on if fault message persist; contact your Maintenance person or Authorized Service Agency for service.
	Failed Platen ‘B’ Heater.	
	Failed Display Board	
	Failed I/O Board.	
	Loose wire or connection.	
	Failed thermocouple.	
Unit displays fault message: “C’ System Fail” . Followed by a graphic display. Power, Motor, ‘A’, and ‘B’ lights are solid and Service and ‘C’ lights are flashing.	SSR is stuck open causing platen ‘C’ to not reach set point within 30 minutes.	Cycle power off and on if fault message persist; contact your Maintenance person or Authorized Service Agency for service.
	Failed Platen ‘C’ Heater.	
	Failed Display Board	
	Failed I/O Board.	
	Failed thermocouple.	
	Loose wire or connection.	
Unit displays fault message: “A’ Platen Low” . Followed by a graphic display. Power, Motor, ‘B’, and ‘C’ lights are solid and Service and ‘A’ lights are flashing.	SSR is stuck open causing platen ‘A’ temperature to decrease by 27° C (50° F) after achieving set point.	Cycle power off and on if fault message persist; contact your Maintenance person or Authorized Service Agency for service.
	Failed Platen ‘A’ Heater.	
	Failed Display Board	
	Failed I/O Board.	
	Loose wire or connection.	
	Failed thermocouple.	
Unit displays fault message: “B’ Platen Low” . Followed by a graphic display. Power, Motor, ‘A’, and ‘C’ lights are solid and Service and ‘B’ lights are flashing.	SSR is stuck open causing platen ‘B’ temperature to decrease by 27° C (50° F) after achieving set point.	Cycle power off and on if fault message persist; contact your Maintenance person or Authorized Service Agency for service.
	Failed Platen ‘B’ Heater.	
	Failed Display Board	
	Failed I/O Board.	
	Loose wire or connection.	
	Failed thermocouple.	
Problem	Possible Cause	Corrective Action
Unit displays fault message: “C’ Platen Low” . Followed by a graphic display. Power, Motor, ‘A’, and ‘B’ lights are solid and Service and ‘C’ lights are flashing.	SSR is stuck open causing platen ‘C’ temperature to decrease by 27° C (50° F) after achieving set point.	Cycle power off and on if fault message persist; contact your Maintenance person or Authorized Service Agency for service.
	Failed Platen ‘C’ Heater.	
	Failed Display Board	
	Failed I/O Board.	
	Failed thermocouple.	
	Loose wire or connection.	
Unit displays fault message: “A’ Sensor Open” . Followed by a graphic display. Power, Motor, ‘B’, and ‘C’ lights are solid and Service and ‘A’ lights are flashing.	Disconnected/Failed Platen ‘A’ Thermocouple.	Cycle power off and on if fault message persist; contact your Maintenance person or Authorized Service Agency for service.
	Failed Display Board.	
Unit displays fault message: “B’ Sensor Open” . Followed by a graphic display. Power, Motor, ‘A’, and ‘C’ lights are solid and Service and ‘B’ lights are flashing.	Disconnected/Failed Platen ‘B’ Thermocouple.	Cycle power off and on if fault message persist; contact your Maintenance person or Authorized Service Agency for service.
	Failed Display Board.	
Unit displays fault message: “C’ Sensor Open” . Followed by a graphic display. Power, Motor, ‘A’, and ‘B’ lights are solid and Service and ‘C’ lights are flashing.	Disconnected/Failed Platen ‘C’ Thermocouple.	Cycle power off and on if fault message persist; contact your Maintenance person or Authorized Service Agency for service.
	Failed Display Board.	

Problem	Possible Cause	Corrective Action
Unit displays fault message: “Motor Running Slow. See Operators Manual” . Power, ‘A’, ‘B’, and ‘C’ lights are solid and Service and ‘Motor’ lights are flashing.	Mechanical bind in one of the conveyors.	Cycle power off and on if fault message persist; contact your Maintenance person or Authorized Service Agency for service.
	Damaged Ball Bearing(s).	
	Drive chain or sprockets are damaged.	
	Defective Motor	
	Failed Display Board	
Unit displays: “Display BD U2”, “Display BD U4”, Display BD U6”, Display BD U7”, “I/O BD U1”, “I/O BD U2”, “I/O BD U10”, “Calibration Fault” .	Internal board error.	Turn unit off and unplug. Plug unit back in. turn unit back on if error persists; contact your Maintenance person or Authorized Service Agency for service.

NOTE: The table below describes non-error/fault troubleshooting.

Problem	Possible Cause	Corrective Action
Buns not toasting adequately	Compression settings are incorrect.	Use recommended setting of 4. See the Programming section of this Manual if using a setting of 5.
	Temperature Settings are incorrect	Verify that Platen 'A' set point is set to 271°C (520°F), Platen 'B' set point is set to 271°C (520°F), and Platen 'C' is set point is set to 254°C (490°F). For making changes to the set point temperature or if using a compression setting of 5, see the Programming section of this manual.
	Motor setting are incorrect.	Verify that the motor setting is set to 4100 for compression setting 4 or 4000 for compression setting 5 as described in the Programming section of this Manual.
	Belts are worn or need cleaning (replace quarterly).	Inspect belts for cleanliness, worn spots, tears, or wrinkles. Clean or replace belts as described in the Maintenance section of this manual.
	One of the conveyor's top shafts is stuck in lower lock position.	Inspect position of the shafts as described in the Maintenance section of this manual.
	Either or both Upper/Lower Conveyor Locks are not properly locked in place.	Inspect the proper position of the Locks as described in the Maintenance section of this manual.
	Buns do not meet specifications.	Contact your bun supplier.
Buns must be forced into the toaster. Buns Sticking and burning.	Belts are worn or need cleaning (replace quarterly).	Inspect belts for cleanliness, worn spots, tears, or wrinkles. Clean or replace belts as described in the Maintenance section of this manual.
	Chain and/or sprockets are worn and/or loose.	Contact your maintenance person or an Authorized Service Agency for service.
	Compression setting is incorrect.	Use recommended setting of 4. See the Programming section of this Manual if using a setting of 5.
	Buns are not inserted into the toaster properly.	Verify buns are being inserted into the designated area of the Bun Feeder Assembly with the cut side of the bun facing towards the front of the unit.
Toaster makes unusual sounds.	Compression setting is incorrect.	Use recommended setting of 4. See the Programming section of this Manual if using a setting of 5.
	Belts are installed incorrectly.	Belts must be installed as described in the Maintenance section of this manual.
	Belts are worn or need cleaning (replace quarterly).	Inspect belts for cleanliness, worn spots, tears, or wrinkles. Clean or replace belts as described in the Maintenance section of this manual.
	Motor Drive chain needs lubrication.	Lubricate the Drive Chain carefully with Lubit-8 (P/N 2140152) at least once a year.
	Bearing(s) are worn and/or binding.	Contact your maintenance person or an Authorized Service Agency for service.
Compression side door will not close.	Either or both Upper/Lower Conveyor Locks are not properly locked in place.	Inspect the proper position of the Locks as described in the Maintenance section of this manual.
Fan(s) are making an unusual sound.	Failed Cooling Fan(s).	Verify vents on toaster are unblocked and not near other heating appliances. Clean fans describe in the Maintenance section of this manual. If error persists contact your maintenance person or Authorized Service Agency for service.
	Cooling Fan(s) are dirty and need to be cleaned.	

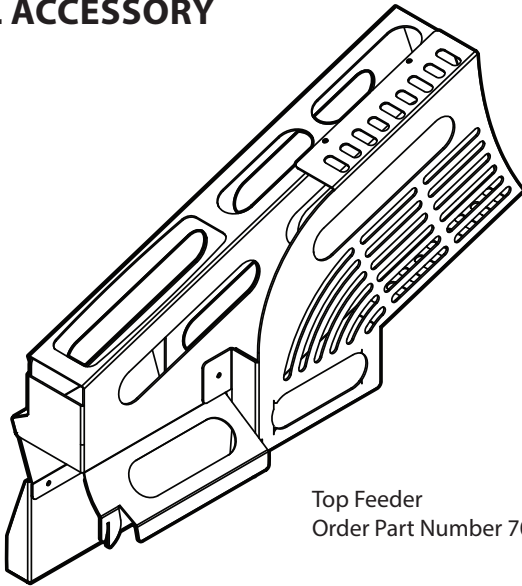
REPLACEMENT PARTS



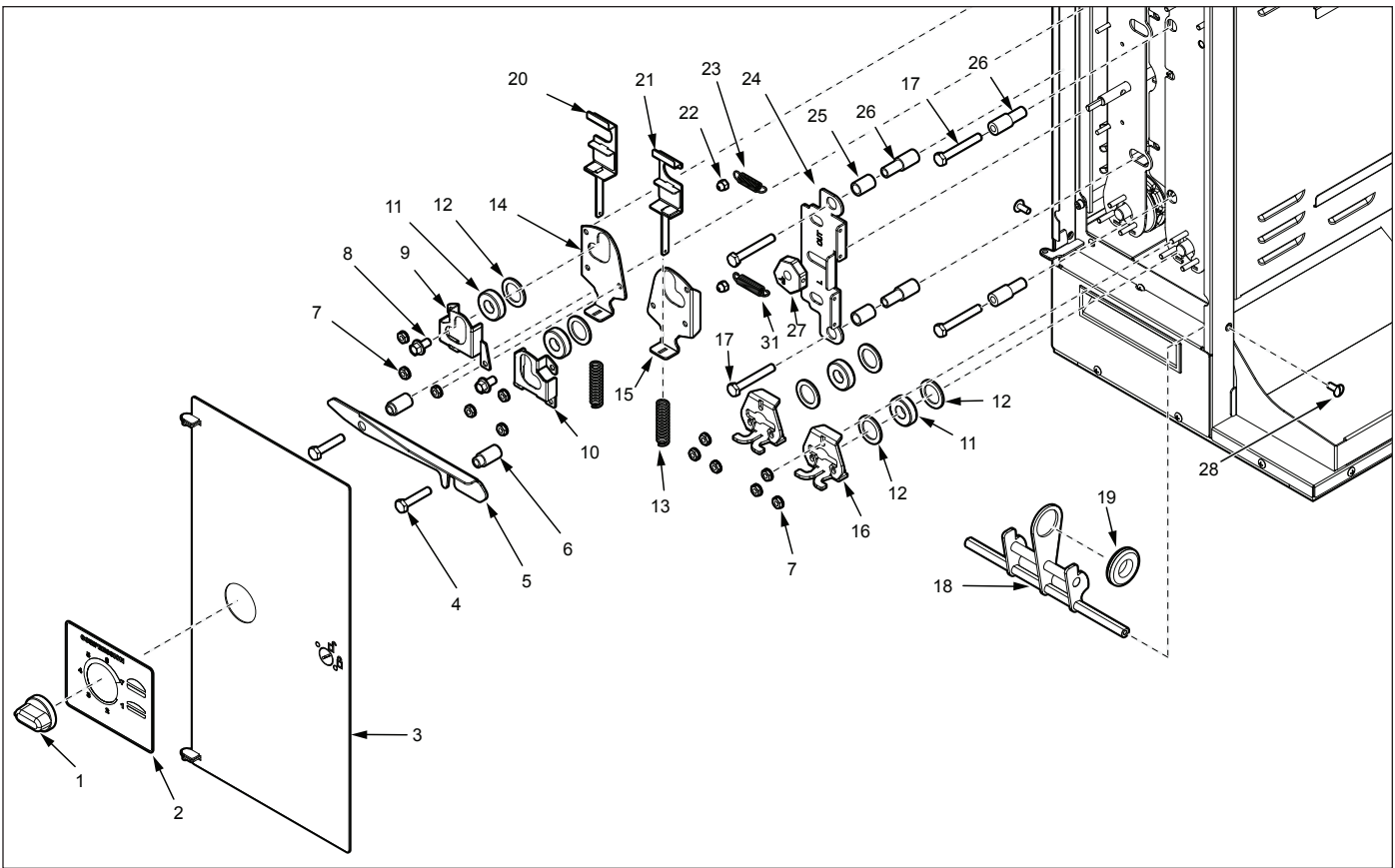
Item	Part No.	Description	Qty.
2	0012774	Bun Feeder Assembly	1
3	0506184	Bun Stop Bracket	1
4	0021733	Club Base Divider	1
		Weldment	
5	7000884	Damper Replacement Kit Incl. Items 6, 7, 8, & 9	1
6	0400425	Damper	2
7	0506300	Damper Support	2
8	0600132	Spring, Damper Support	2
9	306P104*	Screw, Mach. #06-32 x 1/4	8

* Items available in packages of ten (10)

OPTIONAL ACCESSORY



Top Feeder
Order Part Number 7001110

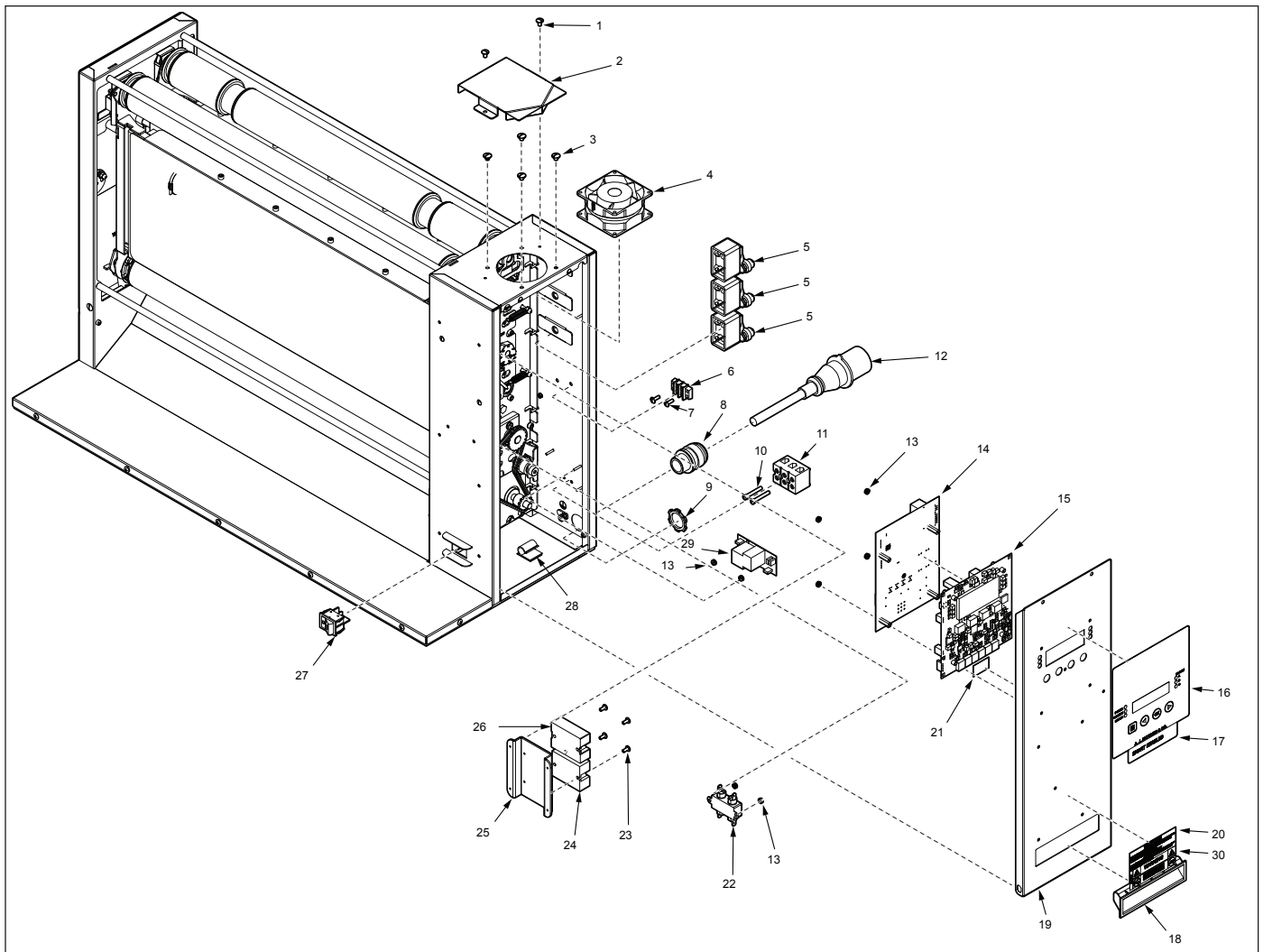


Item	Part No.	Description	Qty.
1	2100253	Knob, 1/4" Shaft, Push-On	1
2	1001417	Label, Compression	1
3	0506179	End Housing Panel	1
4	325P193*	Screw, Hex Head, #1/4-20 X 1.375"	1
5	0506188	Bracket, Housing Locking	1
6	2120216	Spacer, Upper Locking Plate, Front	1
7	310P146*	Nut, Hex 'KEPS' #10-32 (see Item 29, 30,, & 31)	1
8	325P176*	Screw, Flange Hex Head Cap (see item 30 & 31)	1
9	0506291	Bracket, Tensioner- End Housing, Rear (See item 31)	1
10	0506292	Bracket, Tensioner- End Housing, Front (see item 30)	1
11	2150285	Bearing, Single Groove S/S (See Item 29, 30 & 31)	8

Item	Part No.	Description	Qty.
12	0504320	Spacer 0.781 X 1.125 X 0.06" (see Item 29, 30 & 31)	10
13	0600158	Spring, Roller Tension (see item 30 & 31)	4
14	0506293	Plate, Tensioner - End Housing, Rear (see item 31)	1
15	0506294	Plate, Tensioner - End Housing, Front (See item 30)	1
16	0506167	Bracket, Bearing	2
17	325P194*	Screw, Hex Head, #1/4-20 X 2.00", S.S.	4
18	0021714	Weldment, End Housing Rod Support	1
19	0400418	Push In Grommet For 1-1/8" Dia. Hole	1
20	0021725	Weldment, Bearing Bracket & Spring Guide LH (see item 30)	1
21	0021724	Weldment, Bearing Bracket & Spring Guide RH (See item 30)	1

Item	Part No.	Description	Qty.
22	308P145*	Nut, Hex Acorn #08-32	11
23	0600156	Spring, Cam Adjustment	2
24	0012814	Cam Bracket & Thrust Strip Assembly, LH	1
25	2120223	Sleeve Bearing, .50" Od X .75" LG	2
26	2120213	Spacer, Frame & Platen LH	4
27	2150322	Cam	2
28	310P110*	Screw, Mach. #10-32 X 1/2"	2
29	7000856	Bearing Kit (incl. items 7, 11, & 12)	1
30	7000859	Idler Shaft Tensioner Assy. Front End Hsg. Side Kit (Incl. items 7, 8, 10, 11, 12, 13, 15, & 21)	1
	7000860	Idler Shaft Tensioner Assy. Rear End Hsg. Side Kit (Incl. items 7, 8, 9, 11, 12, 13, 14, & 20)	1
31	0600143	Spring, Compression Setting	1

* Items available in packages of ten (10)

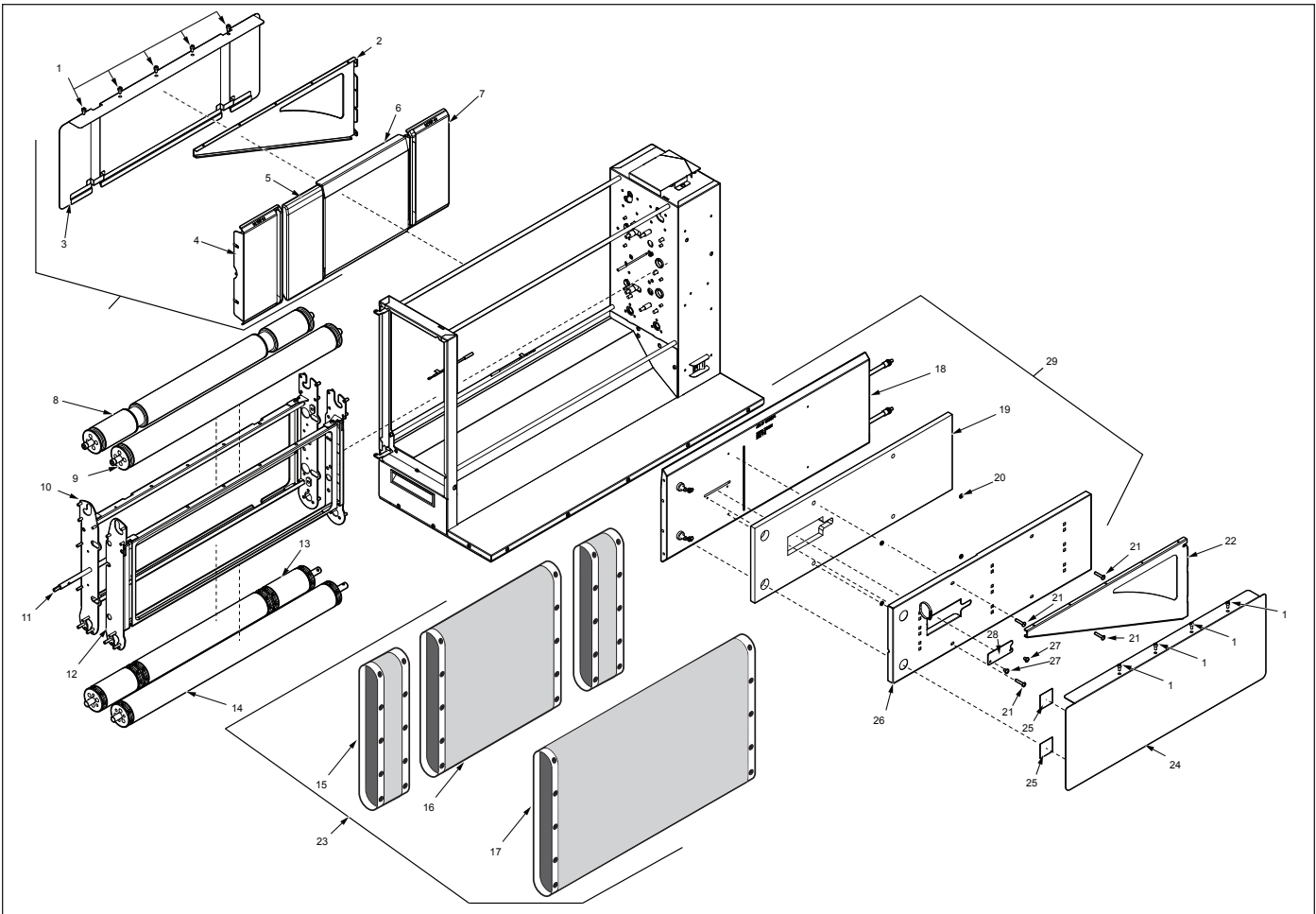


Item	Part No.	Description	Qty.
1	308P151*	Screw, SEMS #8-32 x 5/16"	1
2	0506155	Duct, Fan	1
3	3100213	Screw, PHPNHD #10-16 x 3/4" THRD Form, #3 PT	1
4	7000913	Fan Kit (Incl. Item 3)	1
5	4030352	Thermostat, Hi-Limit	3
6	4060387	Terminal Block, 2 Pole	1
7	306P105*	Screw, Mach #6-32 x 1/4	1
8	0400375	Strain Relief, Cord	1
9	0400376	Lock-nut, Conduit	1
10	308P193*	Screw, Mach #08-32 x 1 1/4	1
11	4060398	Terminal Block, 5-Series	1
12	0700588	Power Cord	

Item	Part No.	Description	Qty.
13	304P105*	Nut, Hex KEPS #4-40 Zinc	1
14	7000870	I/O Board Kit	1
15	7001131	Vert Toast I/O PCB Kit	1
16	1001399	Label, Control	1
17	1001394	Label, Smart Enabled MCD	1
18	2100212	Handle, Pull, Snap-in	3
19	0506139	Control Panel	1
20	1001213	Label, Shock Hazard	1
21	1001434	Label, Thermocouple	1
22	2090163	Filter, RFI 250VAC	1
23	306P103*	Screw, Mach #06 x 3/80	1
24	4050240	Relay, Solid State Dual Pole With Conn-receptical	1

Item	Part No.	Description	Qty.
25	0506156	Heat Sink, Relay	1
26	7000370	Solid State Relay Kit	1
27	7000868	Switch Kit, Power	1
28	2110199	Clip "C" type	9
29	7000871	Varistor Board Kit	1
30	1000900	Label, Service	1

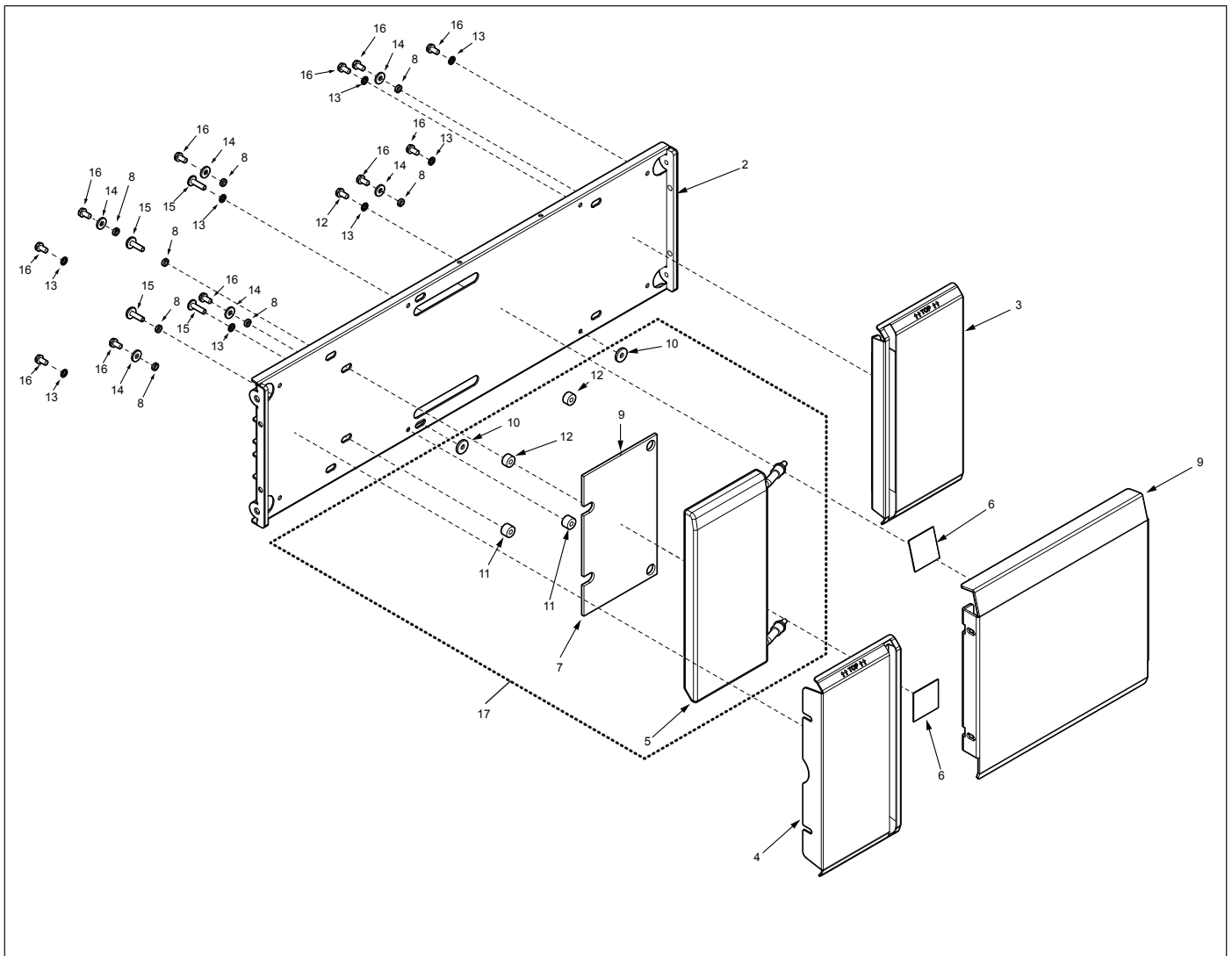
*Items available in packages of ten (10)



Item	Part No.	Description	Qty.
1	310P124*	Screw, #10-32 X 2-1/4" Truss Head S/S	1
2	0506093	Support Bracket, LH	1
3	0506149	Cover, Adj. Platen	1
4	0021780	Crown Plate Weldment End Housing Side	1
5	0100272	Platen, Club	1
6	0506178	Plate, Heel Platen	1
7	0506168	Plate, Crown	1
8	0021719	Weldment, Idler Roller Rear Top	1
9	0021718	Weldment, Idler Roller Front Top	1
10	0021707	Weldment, Adj. Platen Frame	1
11	2150303	Cam Shaft	1
12	0021711	Weldment, Fixed Platen Frame	1
13	0021721	Weldment, Drive Roller Rear Bottom	1
14	0021720	Weldment, Drive Roller Front Bottom	1
15	7000795	Crown Belt	1
16	7000967	Heel/Club Belt	1
17	7000796	Main Belt	1
18	0100266	Platen, Main (see Item 29)	1
19	0400416	Insulation, Main Platen (see Item 29)	1

Item	Part No.	Description	Qty.
20	308P102*	Washer, Int. Tooth #08 Steel Zinc Plated (see Item 29)	1
21	308P164*	Screw, Mach. #8-32 x 1" LG (see Item 29)	1
22	0506092	Support Bracket, RH	1
23	7000799	Belt Kit (incl. items 15, 16 & 17)	1
24	0506150	Cover, Fixed Platen	1
25	0400290	Insulator, Electrical	4
26	0506158	Insulation Plate	1
27	308P151*	Screw, SEMS #8-32 x 5/16" Flex Line (see Item 29)	1
28	0506183	Retainer Plate, Thermocouple (see Item 29)	1
29	7000857	Main Platen Kit	1

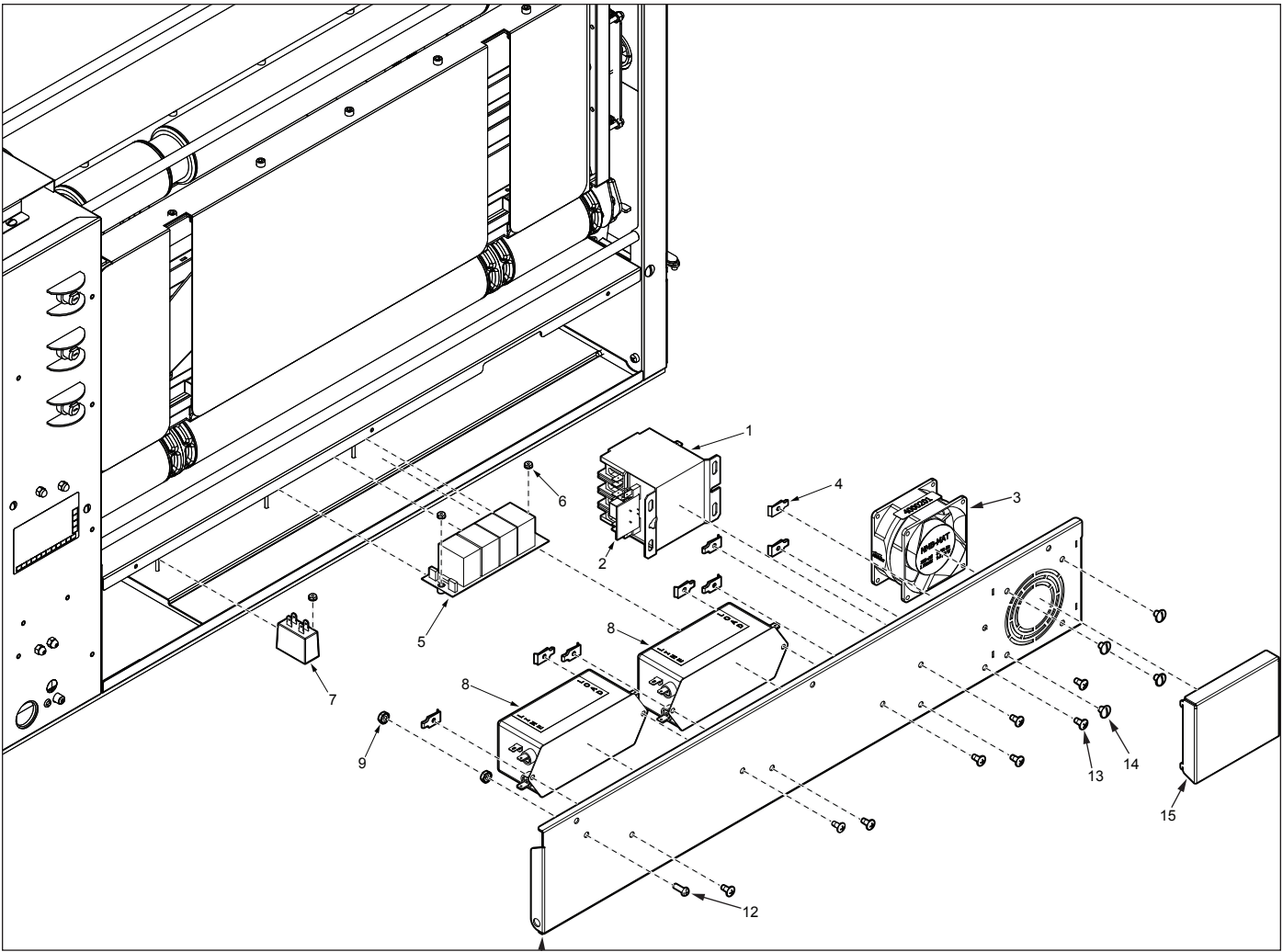
* Items available in packages of ten (10)



Item	Part No.	Description	Qty.
1	0012594	Adj. Platen Assembly	1
2	0021710	Weldment, Back Plate Adj. Platen	1
3	0021712	Weldment, Crown Plate	1
4	0021780	Crown Plate Weldment	1
5	0100271	Platen, Club 230 VAC, 900W (See Item 17)	1
6	0400290	Insulator, Electrical	1
7	0400417	Insulation, Fiberglass Club Platen (See Item 17)	1
8	0506083	Spacer	8
9	0506178	Plate, Heel Platen	1
10	0506198	Spacer, .625 OD x .218 x .075 Thick (See Item 17)	2
11	2120226	Spacer, .50 OD x .203 ID x .328 Thick (See Item 17)	2
12	2120227	Spacer, .50 OD x 203" ID x .265 Thick (See Item 17)	2
13	310P102*	Washer, Lock #10 S/S Internal Tooth (See Item 17)	1

Item	Part No.	Description	Qty.
14	310P140*	Washer, Flat #10 Stl/ZN .219 x .500 x .049 (See Item 17)	1
15	310P209*	Screw, Mach #10-24 x 3/4" Slotted TrussHD 18-8SS	1
16	310P214*	Screw, Hex #10-322 x 1/4" Thrd Cutting Type F, SS	1
	7000875	Club Platen Assy. Kit (Incl. Items 5, 7, 10, 11, 12, 13, & 14)	1

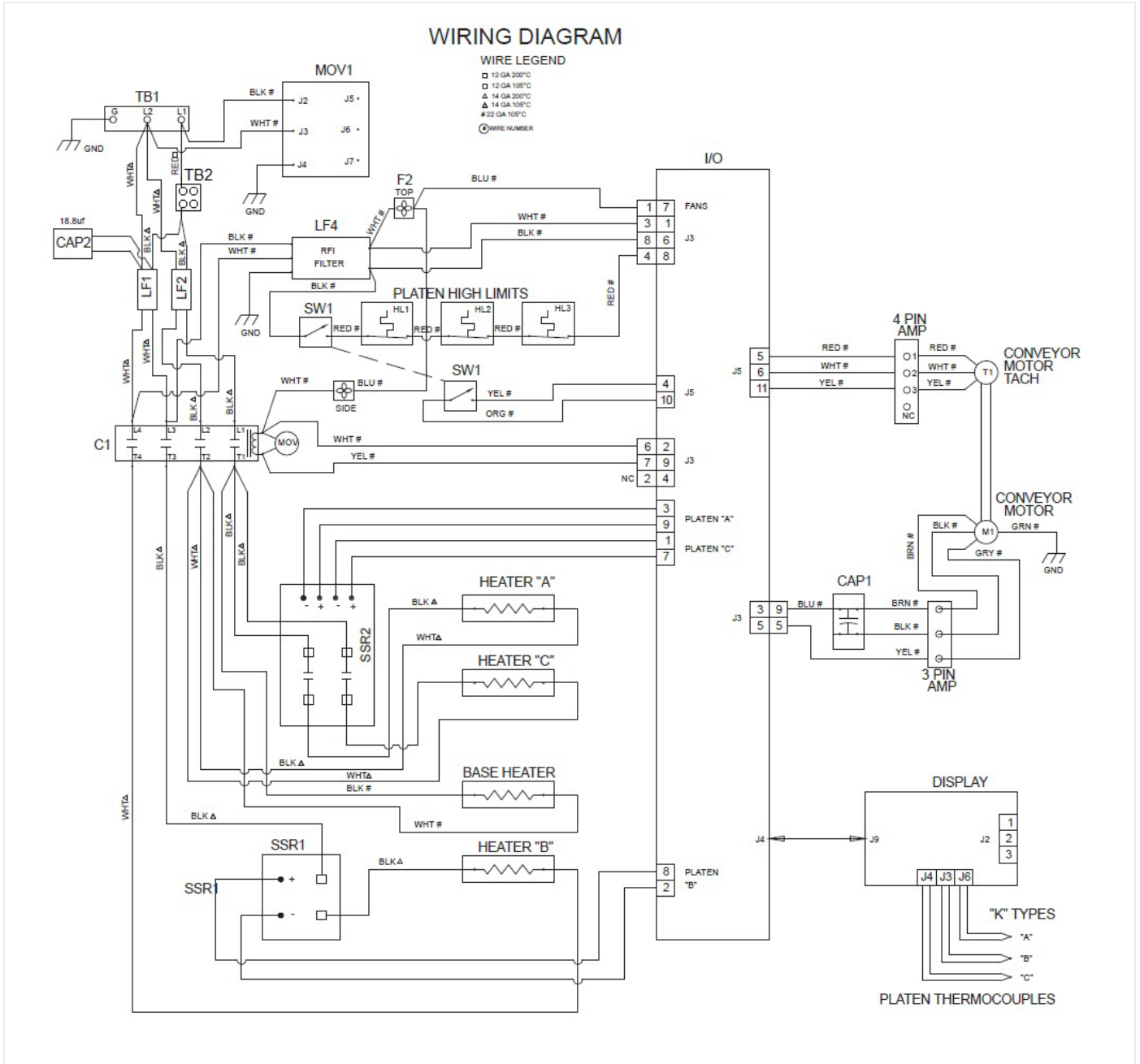
* Items available in packages of ten (10)



Item	Part No.	Description	Qty.
1	4050241	Contactors, 4 Pole	1
2	7000886	Snubber Board Kit	1
3	7000913	Fan - Axial, 200/230 VAC	1
4	300P102*	Nut, Speed #8-32"U"	1
5	4070170	MCD Vert Toaster Filter Board	1
6	304P105*	Nut, Hex KEPS #4-40 Zinc	1
7	4010221	Cap-MP, Motor Run	1
8	4050242	Filter, Power Line, 10A 120/250 V, 50-60 HZ	2
9	308P143	Nut, Hex KEPS #08-32	1
11	0506181	Elec. Panel	1
12	308P124*	Screw, Mach #8-32 x 1/2"	1
13	308P157*	Screw, Tap #08-32 x 3/8	1
14	310P103*	Screw, Mach #10-32 x 1/4	1
15	0506170	Fan Cover	1

* Items available in packages of ten (10)

WIRING DIAGRAM





A.J. Antunes & Co.

We exist to make our customers successful.

A.J. Antunes & Co.
Headquarters/Manufacturing
Carol Stream, Illinois 60188 USA
Phone: (630) 784-1000
Toll Free: (800) 253-2991
Fax: (630) 784-1650

Antunes Equipment
Manufacturing (Suzhou) Ltd.,
Suzhou, Jiangsu, China 215011
Phone: 86-512-6841-3637
Toll Free: 400-0-7878-22
Fax: 86-512-6841-3907

www.ajantunes.com