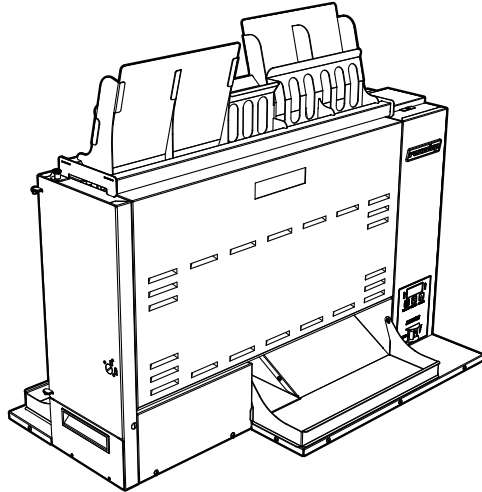




roundup
by A.J. Antunes & Co. ®



GST-5V

gold standard toaster

Manufacturing Number

9210877

TABLE OF CONTENTS

Warranty Information	2
Service/Technical Assistance	2
Important Safety Information	3
Warnings	3
Specifications	4
Dimensions – see page 4	
Electrical Ratings / Cord & Plug Configurations – see page 4	
Installation	5
Operation	5
User Mode	6
Manager Mode	6
Safety Features	6
Hi-Limit Control – see page 6	
Purging buns from Toaster – see page 6	
Fault Messages	6
Error Codes	6
Daily Cleaning	7
Replacing Belts (Quarterly)	7
Removing Belts – see page 7	
Installing Belts – see page 7	
Cleaning the Top Cooling Fan and Electrical Housing (Annually)	8
Limited Warranty	10

WARRANTY INFORMATION

Please read the full text of the Limited Warranty in this manual.

If the unit arrives damaged, contact the carrier immediately and file a damage claim with them. Save all packing materials when filing a claim. Freight damage claims are the responsibility of the purchaser and are not covered under warranty.

The warranty does not extend to:

- Damages caused in shipment or damage as result of improper use.
- Installation of electrical service.
- Normal maintenance as outlined in this manual.
- Malfunction resulting from improper maintenance.
- Damage caused by abuse or careless handling.
- Damage from moisture into electrical components.
- Damage from tampering with, removal of, or changing any preset control or safety device.

SERVICE/TECHNICAL ASSISTANCE

If you experience any problems with the installation or operation of your unit, contact your local Roundup Authorized Service Agency.

Fill in the information below and have it handy when calling your Authorized Service Agency for assistance. The serial number is on the specification plate located on the rear of the unit.

Purchased From

Date of Purchase

Model Number

Serial Number

Manufacturing Number

Use only genuine Roundup replacement parts in this unit. Use of replacement parts other than those supplied by the manufacturer will void the warranty. Your Authorized Service Agency has been factory trained and has a complete supply of parts for this unit.

Visit www.ajantunes.com or contact the factory at 1-630-784-1000 to locate your nearest Authorized Service Agency.

Refer to the service agency directory packaged with your manual and fill in the information below.

Authorized Service Agency

Name

Phone Number

Address

IMPORTANT

A.J. Antunes & Co. reserves the right to change specifications and product design without notice. Such revisions do not entitle the buyer to corresponding changes, improvements, additions or replacements for previously purchased equipment.

IMPORTANT

Keep these instructions for future reference. If the unit changes ownership, be sure this manual accompanies the equipment.

IMPORTANT SAFETY INFORMATION

Use the following guidelines for safe operation of the unit.

- Read all instructions before using equipment.
- For your safety, the equipment is furnished with a properly grounded cord connector. Do not attempt to defeat the grounded connector.
- Install or locate the equipment only for its intended use as described in this manual. Do not use corrosive chemicals in this equipment.
- Do not operate this equipment if it has a damaged cord or plug, if it is not working properly, or if it has been damaged or dropped.
- This equipment should be serviced by qualified personnel only. Contact your nearest Authorized Service Agency for adjustment or repair.
- Do not block or cover any openings on the unit.
- Do not immerse cord or plug in water.
- Keep cord away from heated surfaces.
- Do not allow cord to hang over edge of table or counter.
- Turn the power off, unplug the power cord, and allow unit to cool down before performing any service or maintenance on the unit.

NOTE: Turning off the power switch does NOT turn off all power to the unit.

- The equipment should be grounded according to local electrical codes to prevent the possibility of electrical shock. It requires a grounded receptacle with separate electrical lines, protected by fuses or circuit breaker of the proper rating.
- All electrical connections must be in accordance with local electrical codes and any other applicable codes.
- Do not clean this appliance with a water jet.

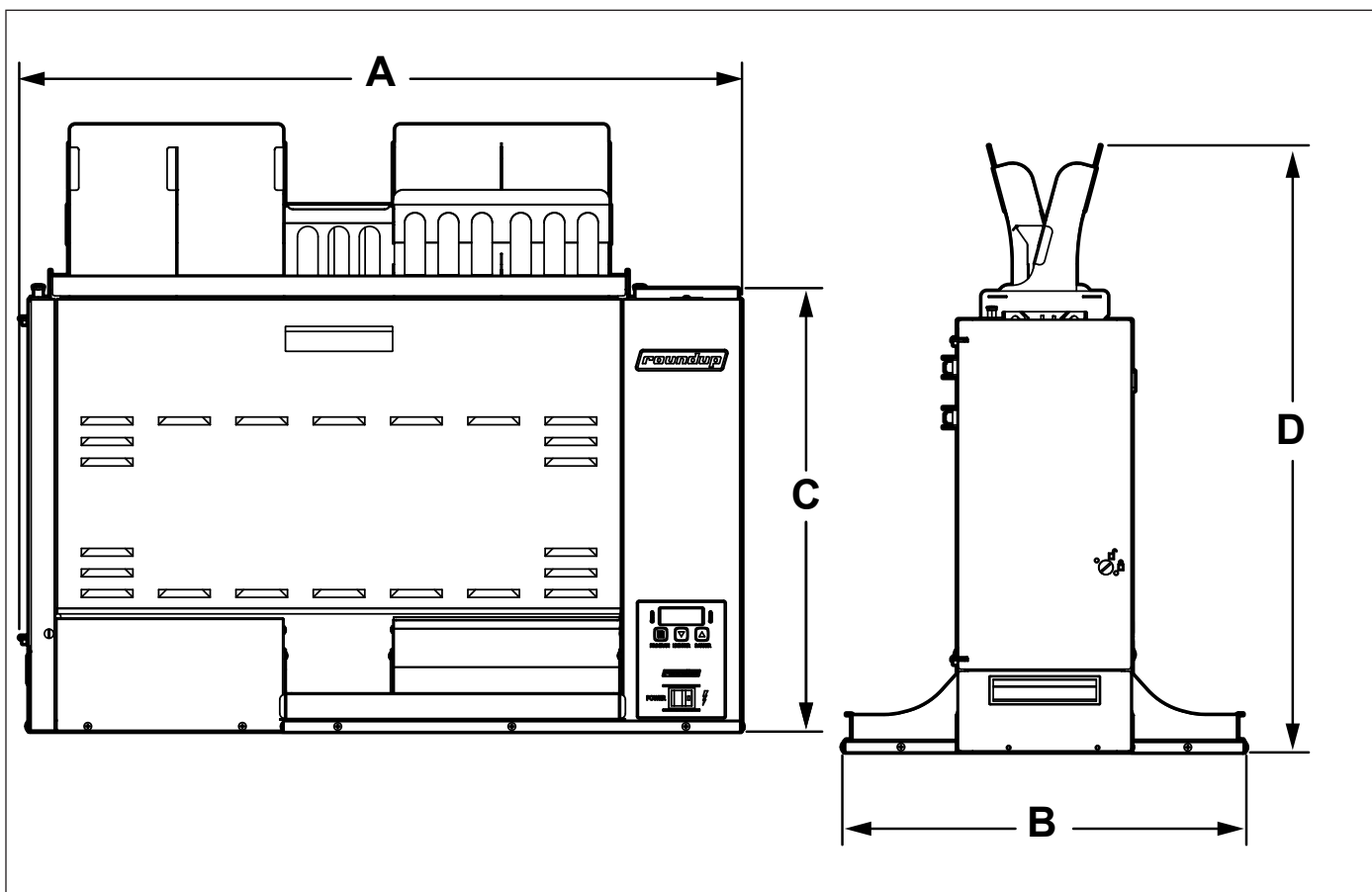
WARNINGS

Be advised of the following warnings when operating and performing maintenance on this unit.

- If the supply cord is damaged, it must be replaced by the manufacturer or its service agent or a similarly qualified person in order to avoid a hazard.
- Do not modify the power supply cord plug. If it does not fit the outlet, have a proper outlet installed by a qualified electrician.
- Do not use an extension cord with this appliance.
- Electrical ground is required on this appliance.
- Check with a qualified electrician if you are in doubt as to whether the appliance is properly grounded.
- If a chemical cleaner is used, be sure it is safe to use on cast aluminum. Observe all precautions and warnings on product label.
- Inspection, testing, and repair of electrical equipment should only be performed by qualified service personnel.
- Do not use a sanitizing solution or abrasive materials. The use of these may cause damage to the stainless steel finish.
- Chlorides or phosphates in cleaning agents (e.g. bleach, sanitizers, degreasers or detergents) could cause permanent damage to stainless steel equipment. The damage is usually in the form of discoloration, dulling of metal surface finish, pits, voids, holes, or cracks. This damage is permanent and not covered by warranty.

- The following tips are recommended for maintenance of your stainless steel equipment:
 - Always use soft, damp cloth for cleaning, rinse with clear water and wipe dry. When required, always rub in direction of metal polish lines.
 - Routine cleaning should be done daily with soap, ammonia detergent, and water.
 - Stains and spots should be sponged using a vinegar solution.
 - Finger marks and smears should be rubbed off using soap and water.
 - Hard water spots should be removed using a vinegar solution.

SPECIFICATIONS



Dimensions

Model & Mfg. No.	Width (A)	Depth (B)	Height (C)	Height (D)
GST-5V 9210877	35" (889 mm)	20" (508 mm)	21 1/2" (546 mm) (without Bun Feeder)	29 1/2" (749 mm) (with Bun Feeder)

Electrical Ratings / Cord & Plug Configurations

Model & Mfg. No.	Volts	Watts	Amps	Hz	Plug Description
GST-5V 9210877	208-240	5000-5760	24	50/60	Twist Lock L6-30 P

INSTALLATION

1. Remove unit and all packing materials from shipping carton.
2. Open the Accessories Box. It should contain the following:
 - Bun Chute
 - Bun Feeder
 - 1 Belt Set
 - Owner's Manual

NOTE: If any parts are missing or damaged, contact Antunes Technical Service IMMEDIATELY at 1-877-392-7854 or 1-630-784-1000.

3. Remove all packing materials and protective coverings from the unit.
4. Wipe the entire exterior of the toaster and the accessories mentioned above with a hot damp cloth. Allow to air dry

NOTE: Do NOT use a dripping wet cloth. Wring out before use.

5. Attach the Bun Chute and Bun Feeder.

When placing the toaster into service, pay attention to the following guidelines.

- Make sure the power switch is off and the unit is at room temperature before plugging in the power cord.
- Do not block or cover any openings on the unit.
- Do not immerse the power cord or plug in water.
- Keep the power cord away from heated surfaces.
- Do not allow the power cord to hang over edge of table or counter.
- Place the unit on a sturdy, level table or other work surface..
- Turn the power switch to off (if it is set to on).
- Ensure the line voltage corresponds to the stated voltage on the specification label and power cord warning tag.
- Plug the power cord into the appropriate power outlet. Refer to the specification plate for the proper voltage.

OPERATION

1. Turn the unit on and allow it to warm up until USE appears in the display
2. Drop product into the appropriate lane on the Bun Feeder according to Bun Feeder labels. Insert buns with the cut side facing away from the front of the toaster
3. Finished product drops into the bun landing zone.

LIGHT/DARK ADJUSTMENTS

The light/dark value can be adjusted when the unit is displaying "USE". To adjust the light/dark value, press the **LIGHTER** or **DARKER** button. The display will change to show the current light/dark value.

NOTE: The default light/dark value is d0.

Press the **LIGHTER** or **DARKER** buttons to change the light/dark value. The adjustment range is L1-L9 and d0-d9. L9 is the lightest, d0 is the middle, and d9 is the darkest setting.

To save the light/dark value, press the **PROGRAM** button or wait 5 seconds until the screen displays "USE".

NOTE: Adjusting the light/dark value does NOT change the temperature. It changes the speed of the conveyors. The light/dark value will reset to the d0 value when the unit is turned off.

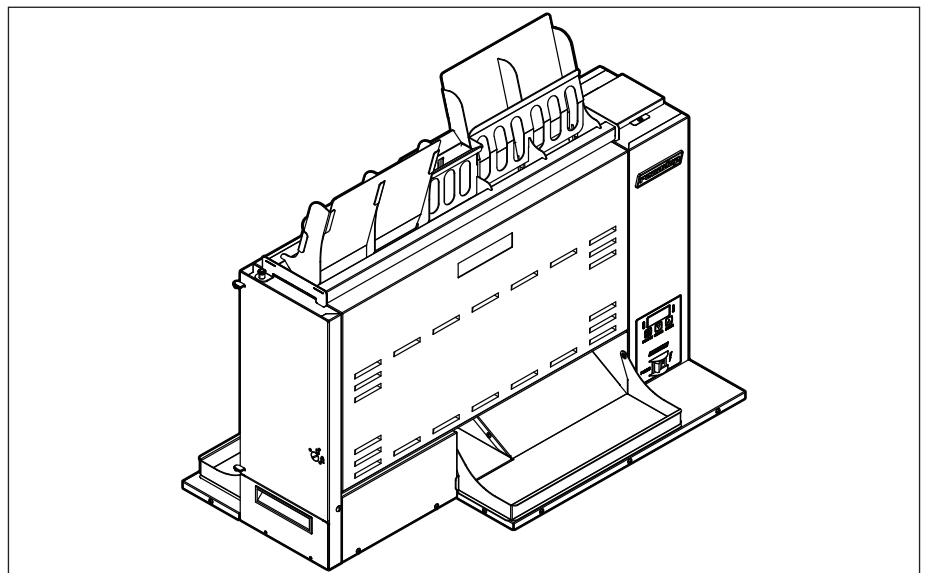


Figure 1.

USER MODE

User Mode allows an operator to view the toaster settings but does not permit any adjustments.

1. Press and hold the **PROGRAM** button for 5 seconds. After 5 seconds, the display will show the actual temperature of the Rear Platen.
2. Press the **LIGHTER** button to toggle between the setpoint and actual temperature of the Rear Platen Heater.
3. Press the **PROGRAM** button to proceed to the Front Platen Heater menu. The display shows the actual temperature of the Front Platen.
4. Press the **LIGHTER** button to toggle between the setpoint and actual temperature of the Front Platen.
5. Press the **PROGRAM** button to proceed to the Motor Menu. The display shows the actual speed of the motor.
6. Press the **LIGHTER** button to toggle between the setpoint and actual speed of the Motor.

NOTE: The unit will exit User Mode after 5 seconds of keypad inactivity.

MANAGER MODE

Manager Mode allows an operator to view and adjust the following settings:

- Rear Platen Temperature
- Front Platen Temperature
- Motor Speed
- Temperature Units (Celsius or Fahrenheit)
- Current Selection: 208 or 240 volts

Manager Mode also allows an operator to view (but not adjust) the Ambient Temperature of the Control Compartment as well as the number of days of operation.

1. Turn the unit off.
2. Turn the power on while holding the **PROGRAM** button.
3. Release the **PROGRAM** button. The display shows the Platen Setpoint Temperature.
4. Enter the appropriate code and press the **PROGRAM** button.
5. To adjust the Platen Setpoint Temperature, press the **LIGHTER** or **DARKER** buttons to reach the desired temperature.

NOTE: The recommended temperature setting for the Rear Platen is 545 F (285 C).

6. Press the **PROGRAM** button to proceed to the Front Heater Setpoint Temperature.
7. To adjust the Front Heater Setpoint Temperature, press the **LIGHTER** or **DARKER** buttons to reach the desired temperature.

NOTE: The recommended temperature setting for the Front Platen is 545° F (285° C)

8. Press the **PROGRAM** button to procedure to the Motor Speed Setpoint.
9. Adjust the Motor Speed Setpoint by pressing the **LIGHTER** or **DARKER** buttons to reach the desired speed.

NOTE: the Motor Speed is adjustable from 1-100. The recommended setting is 51.

10. Press the **PROGRAM** button to proceed to the Temperature Units.
11. To change the Temperatures units from Fahrenheit or Celsius, press the **LIGHTER** or **DARKER** buttons.
12. Press the **PROGRAM** button to proceed to the Ambient Temperature of the Control Compartment.

NOTE: No changes can be made to the Ambient Temperature of the Control Compartment. Temperatures under 150° F (66° C) are acceptable.

13. Press and hold the **PROGRAM** button to save any changes.

NOTE: The unit exits Manager Mode after 30 seconds of keypad inactivity.

SAFETY FEATURES

Hi-Limit Control

A Hi-Limit Control turns off electrical power to the heaters and control circuits if the unit overheats. To reset the control:

1. Let the unit cool for 10 - 15 minutes.
2. Locate the two Hi-Limit Controls on the rear of the unit. Remove the two black protective cap.
3. Press and release both buttons. Reinstall the protective caps.

NOTE: If the Hi-Limit Controls require continuous resetting, contact your Authorized Service Agency.

Purging buns from Toaster

If buns get stuck in the toaster, press and hold both the **UP** and **DOWN** arrow buttons to increase the belt speed until the buns are purged from the toaster.

FAULT MESSAGES

The unit displays fault messages when there is a problem with the unit.

“**Hi**” flashes if the Rear Platen Heater temperature is 30° F more than the setpoint or if the Rear Platen Thermocouple is disconnected or open.

“**CHEC**” flashes when the control compartment ambient temperature is more than 150° F (66° C). All heaters shut off. The unit will not restart until the control compartment ambient temperature falls below 140° F (60° C).

“**PO**” flashes if the incoming power drops below 190 volts. The toaster shuts down.

“**StoP**” flashes when the motor has stopped for seven continuous seconds.

“**SpEd**” flashes when the motor speed drops 25% below the Setpoint for 30 continuous seconds.

ERROR CODES

If any of the following Error Codes appear, turn the power off, allow the unit to cool, and turn the power back on. If the error repeats, contact your Authorized Service Agency for assistance.

Error	Description
ERR 1	Internal Error. Cycle the Power Switch. If error persists, replace the board.
ERR 2	Internal Error. Cycle the power Switch. If error persists, replace the board.
ERR 3	Internal Error. Cycle the power Switch. If error persists, replace the board.
ERR 4	Invalid DIP Switch setting. The only approved setting is (left to right) up-up-up- down (1 on, and 2,3,4 off).
ERR 5	Internal Error. Cycle the power Switch. If error persists, replace the board.
ERR 6	Internal Error. Cycle the power Switch. If error persists, replace the board.
ERR 7	Not used.
ERR 8	Shorted Platen Thermocouple
ERR 9	Open Platen Thermocouple.

DAILY CLEANING

1. Turn the toaster's power switch to the off position. The toaster enters a 45 minute cool-down mode and automatically shuts down when complete.

NOTE: Be sure to perform cleaning steps during cool-down mode.

2. Put on neoprene gloves and remove the Bun Feeder.
3. Clean the outside surfaces of the toaster with a paper towel sprayed with an approved multi-surface cleaner. Allow to air dry.
4. Wipe the Bun Feeder Assembly with a paper towel sprayed with an approved multi-surface cleaner. Allow to air dry.
5. Wash, rinse, and sanitize the Bun Wheel assembly at the sink and allow to air dry.
6. Remove the Front and Rear Conveyor Covers by lifting up and away from the unit.

NOTE: Replace all Belts if any of the Belts are discolored, torn, or if any of the Belt Snaps are damaged.

NOTE: Only clean the rear Belt when it is in front of the Backing Plate. This avoids causing damage to the Belt. The conveyors continue to turn during the cool-down period.

7. Inspect the front and rear Belts. Replace all of the belts if any of them are torn, folded, discolored, missing snaps, or damaged in any way.
8. If the Belts are all in good condition, spray a clean, sanitized towel with an approved sanitizer. Press and hold both arrow buttons for 5 seconds. PUR appears on the display with a blinking cursor. This locks the belt speed in Purge mode for 5 minutes to assist in cleaning. Wipe the front and rear Belts clean. Allow to air dry.
9. Press any button to exit Purge mode.

NOTE: Only clean the Belt where it is in front of the Backing Plate. This avoids causing damage to the Belt.

10. Clean the Front and Rear Conveyor Covers with a paper towel sprayed with an approved multisurface Cleaner. Allow to air dry.

11. Reinstall the Front and Rear Conveyor Covers and then re-install the Bun Feeder.
12. Turn the toaster on and test the unit before returning it to operation.

NOTE: These cleaning steps may need to be repeated to remove heavy carbon buildup.

NOTE: Be sure to clean and sanitize the Belts completely. Failure to properly clean the Belts will shorten the life of the Belts and result in poor toaster performance.

NOTE: Replace all Belts if any of the Belts are discolored, torn, or if any of the Belt Snaps are damaged. To obtain new Belts, contact the factory at 1-877-392-7854 (North America only) or 630-784-1000.

NOTE: Belts should be removed ONLY during Belt replacement or when required in a service situation.

REPLACING BELTS (QUARTERLY)

Over time, the Belts begin to show signs of wear. This wear appears in the form of tears or discoloration of the belt, at which point all belts should be replaced.

NOTE: Belts should be removed ONLY during Belt Replacement or when required in a service situation. For proper operation, replace all belts at the same time.

Removing Belts

1. Turn the toaster off's power switch to the off position. The toaster enters a cool-down mode and will automatically shut down when complete.
2. Unplug the power cord once the cool-down period is complete.
3. Put on neoprene gloves. Remove the Bun Feeder.
4. Remove the Bun Ramp as shown in Figure 2, next page)
5. Remove the Front and Rear Conveyor Covers by lifting up and away from the toaster.
6. Set the Compression Knob to 7.
7. Unlock the latch and open the left side panel.

8. To lock out the front Conveyor Roller, face the front of the toaster. Use both hands and push down on the Front Conveyor Roller and pull towards you. This removes tension and locks the roller in place (Figure zx).
9. To lock out the Rear Roller, face the rear of the toaster. Use both hands and push down on the Rear Conveyor Roller and push away from you. This removes tension and locks the roller in place (Figure zx)
10. Lift the upper Belt Frame Lock. Then rotate down so it rests on the cam shaft of the rear conveyor roller.
11. Pull down the lower Belt Frame Lock.
12. Using a utility knife, cut the existing Front Belts and remove from the toaster. Discard the old Belts.
13. Using a utility knife, cut the Rear Belt and remove from the toaster. Discard the old Belt.

Installing Belts

NOTE: To obtain new Belts, contact the factory at 1-877-392-7854 (North America only) or 630-784-1000.

1. Follow the steps for Removing Belts.
2. Wipe both sides of the new Belts with a clean, sanitized towel sprayed with an approved sanitizer and allow to air dry.
3. Slide the new rear belt gently over the rear top roller and rear bottom roller.

NOTE: Make sure the belt lines up properly on the rollers. The snaps on the belts should face the inside of the top front roller.

4. Slide the Heel/Texas Toaster belt over the front bottom roller. Repeat this step for the crown belt.

NOTE: Make sure the belt lines up properly on the rollers. The snaps on the belts should face the inside of the top rear roller. Belts must be installed so the exposed diagonal seam of the belt is away from the direction of belt travel.

5. Return the Front and Rear Belt Rollers to full tension by sliding them toward each other so each roller locks into place.
6. Slowly lift up the Lower Belt Frame Lock so the Front and Rear Belt Rollers lock into place.

7. Re-engage the Upper Belt Frame Lock by lifting up and then locking it in place on the Front Conveyor Assembly.
8. Close and latch the Side Panel.

NOTE: Inform the Store Manager after any Belt Replacement so new Belts can be ordered. To obtain new Belts, contact the factory at 1-877-392-7854 (North America only) or 630-784-1000.

9. Set the Compression Knob to 4.
10. Re-install the Front and Rear Conveyor Covers and then the Bun Feeder Assembly.
11. Reinstall the Bun Ramp (Figure 2).
12. Plug in the toaster and test the unit before returning to service.

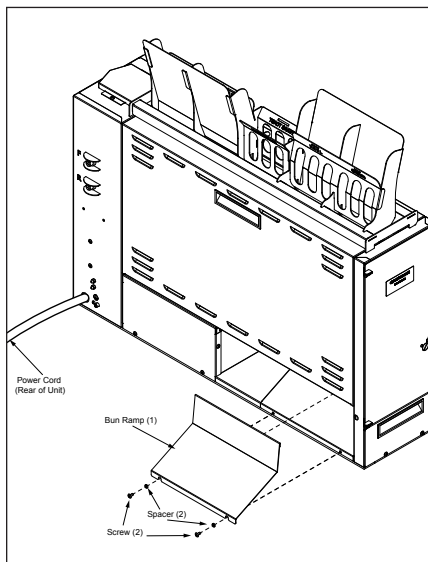


Figure 2. Bun Ramp

CLEANING THE TOP COOLING FAN AND ELECTRICAL HOUSING (ANNUALLY)

Follow these steps to clean the top fan.

1. Turn the power switch to the OFF position. The toaster enters a cool-down mode and will automatically shut down when complete.
2. Unplug the power cord.
3. Facing the front of the toaster, move to the right Side Panel. Remove the right Side Panel and set aside. Do not lose the screws.
4. Remove the Fan Duct cover from the top of the unit and set aside. Do not lose the screws.
5. Use a plastic brush or similar tool to brush all 5 fan blades from above and below. Be sure to remove all debris.
6. Carefully clean any debris from the inside floor of the control compartment and from all electrical connections. Be sure to remove any grease, lint, or debris from these areas.
7. Reattach the right Side Panel and Fan Duct cover securely with screws.

THIS PAGE LEFT INTENTIONALLY BLANK

LIMITED WARRANTY

Equipment manufactured by Roundup Food Equipment Division of A.J. Antunes & Co. has been constructed of the finest materials available and manufactured to high quality standards. These units are warranted to be free from electrical and mechanical defects for a period of one (1) year from date of purchase under normal use and service, and when installed in accordance with manufacturer's recommendations. To insure continued operation of the units, follow the maintenance procedures outlined in the Owner's Manual. During the first 12 months, electro-mechanical parts, non-overtime labor, and travel expenses up to 2 hours (100 miles/160 km), round trip from the nearest Authorized Service Center are covered.

1. This warranty does not cover cost of installation, defects caused by improper storage or handling prior to placing of the Equipment. This warranty does not cover overtime charges or work done by unauthorized service agencies or personnel. This warranty does not cover normal maintenance, calibration, or regular adjustments as specified in operating and maintenance instructions of this manual, and/or labor involved in moving adjacent objects to gain access to the equipment. This warranty does not cover consumable/wear items. This warranty does not cover damage to the Load Cell or Load Cell Assembly due to abuse, misuse, dropping of unit/shock loads or exceeding maximum weight capacity (4 lbs). This warranty does not cover water contamination problems such as foreign material in water lines or inside solenoid valves. It does not cover water pressure problems or failures resulting from improper/incorrect voltage supply. This warranty does not cover Travel Time & Mileage in excess of 2 hours (100 miles/160 km) round trip from the nearest authorized service agency.
2. Roundup reserves the right to make changes in design or add any improvements on any product. The right is always reserved to modify equipment because of factors beyond our control and government regulations. Changes to update equipment do not constitute a warranty charge.
3. If shipment is damaged in transit, the purchaser should make a claim directly upon the carrier. Careful inspection should be made of the shipment as soon as it arrives and visible damage should be noted upon the carrier's receipt. Damage should be reported to the carrier. This damage is not covered under this warranty.
4. Warranty charges do not include freight or foreign, excise, municipal or other sales or use taxes. All such freight and taxes are the responsibility of the purchaser.
5. THIS WARRANTY IS EXCLUSIVE AND IS IN LIEU OF ALL OTHER WARRANTIES, EXPRESSED OR IMPLIED, INCLUDING ANY IMPLIED WARRANTY OR MERCHANTABILITY OR FITNESS FOR A PARTICULAR PURPOSE, EACH OF WHICH IS HEREBY EXPRESSLY DISCLAIMED. THE REMEDIES DESCRIBED ABOVE ARE EXCLUSIVE AND IN NO EVENT SHALL ROUNDUP BE LIABLE FOR SPECIAL CONSEQUENTIAL OR INCIDENTAL DAMAGES FOR THE BREACH OR DELAY IN PERFORMANCE OF THIS WARRANTY.



A.J. Antunes & Co.
We exist to make our customers successful.

A.J. Antunes & Co.
Headquarters/Manufacturing
Carol Stream, Illinois 60188 USA
Phone: (630) 784-1000
Toll Free: (800) 253-2991
Fax: (630) 784-1650

Antunes Equipment
Manufacturing (Suzhou) Ltd.,
Suzhou, Jiangsu, China 215011
Phone: 86-512-6841-3637
Toll Free: 400-0-7878-22
Fax: 86-512-6841-3907

www.ajantunes.com