



# RSPM

Parts List  
23-February-2021



*This parts list is current as of the above revision date.  
See <http://www.rheempartslists.net/92-42800-RSPM.pdf> for the current revision.*

**Package Air Conditioners**

# Table of Contents

Model Explanation .....	Page 3
<b>Parts Numbers</b>	
Panels - Miscellaneous (Granite-Steel Gray) 024-036 .....	Page 4
Panels - Miscellaneous (Neutra Green) 024-036 .....	Page 5
Panels - Miscellaneous (Granite-Steel Gray) 042-048 .....	Page 6
Panels - Miscellaneous (Neutra Green) 042-048 .....	Page 7
Panels - Miscellaneous (Granite-Steel Gray) 060 .....	Page 8
Panels - Miscellaneous (Neutra Green) 060 .....	Page 9
Electrical Group .....	Page 10
Fan Group .....	Page 11
Blower Group .....	Page 12
Coil Parts .....	Page 13
Compressor Group .....	Page 14
Heater Kits .....	Page 15
Accessories .....	Page 15
<b>Drawings/Photographs</b>	
Exploded View .....	Page 16
Control Panel .....	Page 17
Blower Assembly .....	Page 18
Coil Assembly .....	Page 19
Notes/Disclaimer .....	Page 20

**MODEL NUMBER EXPLANATION**

<b>R</b>	<b>S</b>	<b>P</b>	<b>M</b>	<b>-</b>	<b>A</b>	<b>0</b>	<b>2</b>	<b>4</b>	<b>J</b>	<b>K</b>	<b>000</b>
(1)	(2)	(3)	(4)		(5)		(6)		(7)	(8)	(9)

- |  |   |
|--|---|
| <p>(1) <b>TRADEBRAND IDENTIFICATION</b></p> <p>(2) <b>PRODUCT CLASSIFICATION</b><br/>S= PACKAGED AIR CONDITIONER</p> <p>(3) <b>EFFICIENCY DESIGNATION</b><br/>P= 14 SEER</p> <p>(4) <b>DESIGN SERIES</b><br/>M= R-410A</p> <p>(5) <b>FUTURE TECHNICAL DESIGNATIONS</b></p> <p>(6) <b>COOLING CAPACITY</b><br/>024= 24,000 BTU/HR<br/>030= 30,000 BTU/HR<br/>036= 36,000 BTU/HR<br/>042= 42,000 BTU/HR<br/>043= 43,000 BTU/HR<br/>048= 48,000 BTU/HR<br/>060= 60,000 BTU/HR</p> | <p>(7) <b>ELECTRICAL DESIGNATION</b><br/>J= 208-230/1/60<br/>C= 208-230/3/60</p> <p>(8) <b>DRIVE DESIGNATION</b><br/>K= DIRECT DRIVE</p> <p>(9) <b>HEATING CAPACITY</b><br/>000=NO RESISTANCE HEAT<br/>005=05 kW RESISTANCE HEAT<br/>007=07 kW RESISTANCE HEAT<br/>010=010 kW RESISTANCE HEAT<br/>015=015 kW RESISTANCE HEAT<br/>020=020 kW RESISTANCE HEAT</p> |
|--|---|

**SERIAL NUMBER EXPLANATION (Units Produced before Sept. 2013)**

<b>7</b>	<b>1</b>	<b>6</b>	<b>6</b>	<b>F</b>	<b>2</b>	<b>7</b>	<b>0</b>	<b>4</b>	<b>9</b>	<b>9</b>	<b>9</b>	<b>9</b>	<b>9</b>
(1)		(2)		(3)		(4)		(5)					

- (1) **COMPRESSOR IDENTIFICATION NUMBER**
- (2) **PRODUCTION LOCATION**  
F = FORT SMITH, AR
- (3) **WEEK OF PRODUCTION**
- (4) **YEAR OF PRODUCTION**
- (5) **PRODUCTION NUMBER**

**SERIAL NUMBER EXPLANATION (Units Produced after Sept. 2013)**

<b>W</b>	<b>0</b>	<b>8</b>	<b>1</b>	<b>3</b>	<b>9</b>	<b>9</b>	<b>9</b>	<b>9</b>
(1)	(2)		(3)		(4)			

- (1) **PLANT CODE**  
W = Nuevo Laredo (West)
- (2) **WEEK OF PRODUCTION**
- (3) **YEAR OF PRODUCTION**
- (4) **PRODUCTION NUMBER**

**Note: For Compressor Identification Number, see Compressor Code on Rating Plate**

No.	Notes	MODEL TECHNICAL VARIATION COOLING CAPACITY ELECTRICAL DESIGNATION	RSPM A 024 J	RSPM A 030 J	RSPM A 036 C	RSPM A 036 J
<b>PANELS, MISCELLANEOUS PARTS (Granite Steel Gray - After F4411)</b>						
1		Louver Panel	AS-100830-02H	AS-100830-02H	AS-100830-02H	AS-100830-02H
2		Corner Post	AS-100822-01H	AS-100822-01H	AS-100822-01H	AS-100822-01H
3		Front Post	AS-100821-01H	AS-100821-01H	AS-100821-01H	AS-100821-01H
4		Louver Panel	AS-100830-01H	AS-100830-01H	AS-100830-01H	AS-100830-01H
5		Insulation Retainer	AE-100831-02	AE-100831-02	AE-100831-02	AE-100831-02
6		Front Access Panel	AS-100823-01H	AS-100823-01H	AS-100823-01H	AS-100823-01H
7	Stk	Drainpan	68-100808-02	68-100808-02	68-100808-02	68-100808-02
8		Air Stop - Drainpan	AE-100825-01	AE-100825-01	AE-100825-01	AE-100825-01
9		Air Stop - Drainpan	AE-100825-02	AE-100825-02	AE-100825-02	AE-100825-02
10		Drainpan Tray	AS-100809-01H	AS-100809-01H	AS-100809-01H	AS-100809-01H
11		Control Access Panel	AS-100824-01H	AS-100824-01H	AS-100824-01H	AS-100824-01H
12		Control Panel Assembly	AS-100807-01	AS-100807-01	AS-100807-01	AS-100807-01
13		Base Rail (2) - Before F2208	AE-100803-02	AE-100803-02	AE-100803-02	AE-100803-02
13		Base Rail (2) - After F2208	AE-102792-01	AE-102792-01	AE-102792-01	AE-102792-01
14		Base Rail (2) - Before F2208	AE-100803-01	AE-100803-01	AE-100803-01	AE-100803-01
15		Base Pan	AS-100804-01H	AS-100804-01H	AS-100804-01H	AS-100804-01H
16		Right Panel Assembly	AS-100820-01H	AS-100820-01H	AS-100820-01H	AS-100820-01H
17		Blower Support	AE-100818-02	AE-100818-02	AE-100818-02	AE-100818-02
		Insulation Retainer (2)	AE-100831-01	AE-100831-01	AE-100831-01	AE-100831-01
		Duct Ring - 14 in.	58-100850-01	58-100850-01	58-100850-01	58-100850-01
18		Transition Bottom	AE-100815-01	AE-100815-01	AE-100815-01	AE-100815-01
19		Transition Top	AE-100815-02	AE-100815-02	AE-100815-02	AE-100815-02
20		Block Off Plate	AE-100816-01	AE-100816-01	AE-100816-01	AE-100816-01
21		Rear Panel Assembly	AS-100814-01H	AS-100814-01H	AS-100814-01H	AS-100814-01H
22		Rear Air Stop	AE-100810-01	AE-100810-01	AE-100810-01	AE-100810-01
23		Top Panel Assembly (Indoor)	AS-100828-01H	AS-100828-01H	AS-100828-01H	AS-100828-01H
24		Top Panel (Outdoor)	AS-100829-01H	AS-100829-01H	AS-100829-01H	AS-100829-01H
25		Grille	95-100906-07	95-100906-07	95-100906-07	95-100906-07
28		Blower Support	AE-100818-01	AE-100818-01	AE-100818-01	AE-100818-01
29		Bulkhead Cap Assembly	AS-100826-01H	AS-100826-01H	AS-100826-01H	AS-100826-01H
30		Bulkhead Assembly	AS-100812-01	AS-100812-01	AS-100812-01	AS-100812-01
37		Low Voltage Mount	AE-100839-01	AE-100839-01	AE-100839-01	AE-100839-01
38		Low Voltage Cover	AE-100839-02	AE-100839-02	AE-100839-02	AE-100839-02
43		Heater Kit Delete Plate (Mounted in Control Box)	AE-100842-01	AE-100842-01	AE-100842-01	AE-100842-01
49		Gaugeport Enclosure	AE-101352-01	AE-101352-01	AE-101352-01	AE-101352-01

No.	Notes	MODEL TECHNICAL VARIATION COOLING CAPACITY ELECTRICAL DESIGNATION	RSPM A 024 J	RSPM A 030 J	RSPM A 036 C	RSPM A 036 J
<b>PANELS, MISCELLANEOUS PARTS (Neutra Green - Before F4411)</b>						
1		Louver Panel	AS-100830-02A	AS-100830-02A	AS-100830-02A	AS-100830-02A
2		Corner Post	AS-100822-01A	AS-100822-01A	AS-100822-01A	AS-100822-01A
3		Front Post	AS-100821-01A	AS-100821-01A	AS-100821-01A	AS-100821-01A
4		Louver Panel	AS-100830-01A	AS-100830-01A	AS-100830-01A	AS-100830-01A
5		Insulation Retainer	AE-100831-02	AE-100831-02	AE-100831-02	AE-100831-02
6		Front Access Panel	AS-100823-01A	AS-100823-01A	AS-100823-01A	AS-100823-01A
7	Stk	Drainpan	68-100808-02	68-100808-02	68-100808-02	68-100808-02
8		Air Stop - Drainpan	AE-100825-01	AE-100825-01	AE-100825-01	AE-100825-01
9		Air Stop - Drainpan	AE-100825-02	AE-100825-02	AE-100825-02	AE-100825-02
10		Drainpan Tray	AS-100809-01A	AS-100809-01A	AS-100809-01A	AS-100809-01A
11		Control Access Panel	AS-100824-01A	AS-100824-01A	AS-100824-01A	AS-100824-01A
12		Control Panel Assembly	AS-100807-01	AS-100807-01	AS-100807-01	AS-100807-01
13		Base Rail (2) - Before F2208	AE-100803-02	AE-100803-02	AE-100803-02	AE-100803-02
13		Base Rail (2) - After F2208	AE-102792-01	AE-102792-01	AE-102792-01	AE-102792-01
14		Base Rail (2) - Before F2208	AE-100803-01	AE-100803-01	AE-100803-01	AE-100803-01
15		Base Pan	AS-100804-01A	AS-100804-01A	AS-100804-01A	AS-100804-01A
16		Right Panel Assembly	AS-100820-01A	AS-100820-01A	AS-100820-01A	AS-100820-01A
17		Blower Support	AE-100818-02	AE-100818-02	AE-100818-02	AE-100818-02
		Insulation Retainer (2)	AE-100831-01	AE-100831-01	AE-100831-01	AE-100831-01
		Duct Ring - 14 in.	58-100850-01	58-100850-01	58-100850-01	58-100850-01
18		Transition Bottom	AE-100815-01	AE-100815-01	AE-100815-01	AE-100815-01
19		Transition Top	AE-100815-02	AE-100815-02	AE-100815-02	AE-100815-02
20		Block Off Plate	AE-100816-01	AE-100816-01	AE-100816-01	AE-100816-01
21		Rear Panel Assembly	AS-100814-01A	AS-100814-01A	AS-100814-01A	AS-100814-01A
22		Rear Air Stop	AE-100810-01	AE-100810-01	AE-100810-01	AE-100810-01
23		Top Panel Assembly (Indoor)	AS-100828-01A	AS-100828-01A	AS-100828-01A	AS-100828-01A
24		Top Panel (Outdoor)	AS-100829-01A	AS-100829-01A	AS-100829-01A	AS-100829-01A
25		Grille	95-100906-07	95-100906-07	95-100906-07	95-100906-07
28		Blower Support	AE-100818-01	AE-100818-01	AE-100818-01	AE-100818-01
29		Bulkhead Cap Assembly	AS-100826-01A	AS-100826-01A	AS-100826-01A	AS-100826-01A
30		Bulkhead Assembly	AS-100812-01	AS-100812-01	AS-100812-01	AS-100812-01
37		Low Voltage Mount	AE-100839-01	AE-100839-01	AE-100839-01	AE-100839-01
38		Low Voltage Cover	AE-100839-02	AE-100839-02	AE-100839-02	AE-100839-02
43		Heater Kit Delete Plate (Mounted in Control Box)	AE-100842-01	AE-100842-01	AE-100842-01	AE-100842-01
49		Gaugeport Enclosure	AE-101352-01	AE-101352-01	AE-101352-01	AE-101352-01

No.	Notes	MODEL TECHNICAL VARIATION COOLING CAPACITY ELECTRICAL DESIGNATION	RSPM A 042 C/J	RSPM A 043 C/J	RSPM A 048 C	RSPM A 048 J
<b>PANELS, MISCELLANEOUS PARTS (Granite Steel Gray - After F4411)</b>						
1		Louver Panel	AS-100830-02H	AS-100830-02H	AS-100830-04H	AS-100830-04H
2		Corner Post	AS-100822-01H	AS-100822-01H	AS-100822-02H	AS-100822-02H
3		Front Post	AS-100821-01H	AS-100821-01H	AS-100821-02H	AS-100821-02H
4		Louver Panel	AS-100830-01H	AS-100830-01H	AS-100830-03H	AS-100830-03H
5		Insulation Retainer	AE-100831-02	AE-100831-02	AE-100831-03	AE-100831-03
6		Front Access Panel	AS-100823-01H	AS-100823-01H	AS-100823-02H	AS-100823-02H
7	Stk	Drainpan	68-100808-02	68-100808-02	68-100808-02	68-100808-02
8		Air Stop - Drainpan	AE-100825-01	AE-100825-01	AE-100825-01	AE-100825-01
9		Air Stop - Drainpan	AE-100825-02	AE-100825-02	AE-100825-02	AE-100825-02
10		Drainpan Tray	AS-100809-01H	AS-100809-01H	AS-100809-01H	AS-100809-01H
11		Control Access Panel	AS-100824-01H	AS-100824-01H	AS-100824-02H	AS-100824-02H
12		Control Panel Assembly	AS-100807-01	AS-100807-01	AS-100807-02	AS-100807-02
13		Base Rail (2) - Before F2208	AE-100803-02	N/A	AE-100803-02	AE-100803-02
13		Base Rail (2) - After F2208	AE-102792-01	AE-102792-01	AE-102792-01	AE-102792-01
14		Base Rail (2) - Before F2208	AE-100803-01	N/A	AE-100803-01	AE-100803-01
15		Base Pan	AS-100804-01H	AS-100804-01H	AS-100804-01H	AS-100804-01H
16		Right Panel Assembly	AS-100820-01H	AS-100820-01H	AS-100820-02H	AS-100820-02H
17		Blower Support	AE-100818-02	AE-100818-02	AE-100818-02	AE-100818-02
		Insulation Retainer (2)	AE-100831-01	AE-100831-01	AE-100831-01	AE-100831-01
		Duct Ring - 14 in.	58-100850-01	58-100850-01	58-100850-01	58-100850-01
18		Transition Bottom	AE-100815-01	AE-100815-01	AE-100815-01	AE-100815-01
19		Transition Top	AE-100815-02	AE-100815-02	AE-100815-02	AE-100815-02
20		Block Off Plate	AE-100816-01	AE-100816-01	AE-100816-01	AE-100816-01
21		Rear Panel Assembly	AS-100814-01H	AS-100814-01H	AS-100814-02H	AS-100814-02H
22		Rear Air Stop	AE-100810-01	AE-100810-01	AE-100810-02	AE-100810-02
23		Top Panel Assembly (Indoor)	AS-100828-01H	AS-100828-01H	AS-100828-01H	AS-100828-01H
24		Top Panel (Outdoor)	AS-100829-01H	AS-100829-01H	AS-100829-01H	AS-100829-01H
25		Grille	95-100906-07	95-100906-07	95-100906-07	95-100906-07
28		Blower Support	AE-100818-01	AE-100818-01	AE-100818-01	AE-100818-01
29		Bulkhead Cap Assembly	AS-100826-01H	AS-100826-01H	AS-100826-01H	AS-100826-01H
30		Bulkhead Assembly	AS-100812-01	AS-100812-01	AS-100812-02	AS-100812-02
37		Low Voltage Mount	AE-100839-01	AE-100839-01	AE-100839-01	AE-100839-01
38		Low Voltage Cover	AE-100839-02	AE-100839-02	AE-100839-02	AE-100839-02
43		Heater Kit Delete Plate (Mounted in Control Box)	AE-100842-01	AE-100842-01	AE-100842-01	AE-100842-01
49		Gauge Port Enclosure	AE-101352-01	AE-101352-01	AE-101352-01	AE-101352-01

No.	Notes	MODEL TECHNICAL VARIATION COOLING CAPACITY ELECTRICAL DESIGNATION	RSPM A 042 C/J	RSPM A 043 C/J	RSPM A 048 C	RSPM A 048 J
<b>PANELS, MISCELLANEOUS PARTS (Neutra Green - Before F4411)</b>						
1		Louver Panel	AS-100830-02A	AS-100830-02A	AS-100830-04A	AS-100830-04A
2		Corner Post	AS-100822-01A	AS-100822-01A	AS-100822-02A	AS-100822-02A
3		Front Post	AS-100821-01A	AS-100821-01A	AS-100821-02A	AS-100821-02A
4		Louver Panel	AS-100830-01A	AS-100830-01A	AS-100830-03A	AS-100830-03A
5		Insulation Retainer	AE-100831-02	AE-100831-02	AE-100831-03	AE-100831-03
6		Front Access Panel	AS-100823-01A	AS-100823-01A	AS-100823-02A	AS-100823-02A
7	Stk	Drainpan	68-100808-02	68-100808-02	68-100808-02	68-100808-02
8		Air Stop - Drainpan	AE-100825-01	AE-100825-01	AE-100825-01	AE-100825-01
9		Air Stop - Drainpan	AE-100825-02	AE-100825-02	AE-100825-02	AE-100825-02
10		Drainpan Tray	AS-100809-01A	AS-100809-01A	AS-100809-01A	AS-100809-01A
11		Control Access Panel	AS-100824-01A	AS-100824-01A	AS-100824-02A	AS-100824-02A
12		Control Panel Assembly	AS-100807-01	AS-100807-01	AS-100807-02	AS-100807-02
13		Base Rail (2) - Before F2208	AE-100803-02	N/A	AE-100803-02	AE-100803-02
13		Base Rail (2) - After F2208	AE-102792-01	AE-102792-01	AE-102792-01	AE-102792-01
14		Base Rail (2) - Before F2208	AE-100803-01	N/A	AE-100803-01	AE-100803-01
15		Base Pan	AS-100804-01A	AS-100804-01A	AS-100804-01A	AS-100804-01A
16		Right Panel Assembly	AS-100820-01A	AS-100820-01A	AS-100820-02A	AS-100820-02A
17		Blower Support	AE-100818-02	AE-100818-02	AE-100818-02	AE-100818-02
		Insulation Retainer (2)	AE-100831-01	AE-100831-01	AE-100831-01	AE-100831-01
		Duct Ring - 14 in.	58-100850-01	58-100850-01	58-100850-01	58-100850-01
18		Transition Bottom	AE-100815-01	AE-100815-01	AE-100815-01	AE-100815-01
19		Transition Top	AE-100815-02	AE-100815-02	AE-100815-02	AE-100815-02
20		Block Off Plate	AE-100816-01	AE-100816-01	AE-100816-01	AE-100816-01
21		Rear Panel Assembly	AS-100814-01A	AS-100814-01A	AS-100814-02A	AS-100814-02A
22		Rear Air Stop	AE-100810-01	AE-100810-01	AE-100810-02	AE-100810-02
23		Top Panel Assembly (Indoor)	AS-100828-01A	AS-100828-01A	AS-100828-01A	AS-100828-01A
24		Top Panel (Outdoor)	AS-100829-01A	AS-100829-01A	AS-100829-01A	AS-100829-01A
25		Grille	95-100906-07	95-100906-07	95-100906-07	95-100906-07
28		Blower Support	AE-100818-01	AE-100818-01	AE-100818-01	AE-100818-01
29		Bulkhead Cap Assembly	AS-100826-01A	AS-100826-01A	AS-100826-01A	AS-100826-01A
30		Bulkhead Assembly	AS-100812-01	AS-100812-01	AS-100812-02	AS-100812-02
37		Low Voltage Mount	AE-100839-01	AE-100839-01	AE-100839-01	AE-100839-01
38		Low Voltage Cover	AE-100839-02	AE-100839-02	AE-100839-02	AE-100839-02
43		Heater Kit Delete Plate (Mounted in Control Box)	AE-100842-01	AE-100842-01	AE-100842-01	AE-100842-01
49		Gauge Port Enclosure	AE-101352-01	AE-101352-01	AE-101352-01	AE-101352-01

No.	Notes	MODEL TECHNICAL VARIATION COOLING CAPACITY ELECTRICAL DESIGNATION	RSPM A 060 C	RSPM A 060 J
<b>PANELS, MISCELLANEOUS PARTS (Granite Steel Gray - After F4411)</b>				
1		Louver Panel	AS-100830-04H	AS-100830-04H
2		Corner Post	AS-100822-02H	AS-100822-02H
3		Front Post	AS-100821-02H	AS-100821-02H
4		Louver Panel	AS-100830-03H	AS-100830-03H
5		Insulation Retainer	AE-100831-03	AE-100831-03
6		Front Access Panel	AS-100823-02H	AS-100823-02A
7	Stk	Drainpan	68-100808-02	68-100808-02
8		Air Stop - Drainpan	AE-100825-01	AE-100825-01
9		Air Stop - Drainpan	AE-100825-02	AE-100825-02
10		Drainpan Tray	AS-100809-01H	AS-100809-01H
11		Control Access Panel	AS-100824-02H	AS-100824-02H
12		Control Panel Assembly	AS-100807-02	AS-100807-02
13		Base Rail (2) - Before F2208	AE-100803-02	AE-100803-02
13		Base Rail (2) - After F2208	AE-102792-01	AE-102792-01
14		Base Rail (2) - Before F2208	AE-100803-01	AE-100803-01
15		Base Pan	AS-100804-01H	AS-100804-01H
16		Right Panel Assembly	AS-100820-02H	AS-100820-02H
17		Blower Support	AE-100818-02	AE-100818-02
		Insulation Retainer (2)	AE-100831-01	AE-100831-01
		Duct Ring - 14 in.	58-100850-01	58-100850-01
18		Transition Bottom	AE-100815-01	AE-100815-01
19		Transition Top	AE-100815-02	AE-100815-02
20		Block Off Plate	AE-100816-01	AE-100816-01
21		Rear Panel Assembly	AS-100814-02H	AS-100814-02H
22		Rear Air Stop	AE-100810-02	AE-100810-02
23		Top Panel Assembly (Indoor)	AS-100828-01H	AS-100828-01H
24		Top Panel (Outdoor)	AS-100829-01H	AS-100829-01H
25		Grille	<a href="#">95-100906-07</a>	<a href="#">95-100906-07</a>
28		Blower Support	AE-100818-01	AE-100818-01
29		Bulkhead Cap Assembly	AS-100826-01H	AS-100826-01H
30		Bulkhead Assembly	AS-100812-02	AS-100812-02
37		Low Voltage Mount	AE-100839-01	AE-100839-01
38		Low Voltage Cover	AE-100839-02	AE-100839-02
43		Heater Kit Delete Plate (Mounted in Control Box)	AE-100842-01	AE-100842-01
49		Gauge Port Enclosure	AE-101352-01	AE-101352-01

No.	Notes	MODEL TECHNICAL VARIATION COOLING CAPACITY ELECTRICAL DESIGNATION	RSPM A 060 C	RSPM A 060 J
<b>PANELS, MISCELLANEOUS PARTS (Neutra Green - Before F4411)</b>				
1		Louver Panel	AS-100830-04A	AS-100830-04A
2		Corner Post	AS-100822-02A	AS-100822-02A
3		Front Post	AS-100821-02A	AS-100821-02A
4		Louver Panel	AS-100830-03A	AS-100830-03A
5		Insulation Retainer	AE-100831-03	AE-100831-03
6		Front Access Panel	AS-100823-02A	AS-100823-02A
7	Stk	Drainpan	68-100808-02	68-100808-02
8		Air Stop - Drainpan	AE-100825-01	AE-100825-01
9		Air Stop - Drainpan	AE-100825-02	AE-100825-02
10		Drainpan Tray	AS-100809-01A	AS-100809-01A
11		Control Access Panel	AS-100824-02A	AS-100824-02A
12		Control Panel Assembly	AS-100807-02	AS-100807-02
13		Base Rail (2) - Before F2208	AE-100803-02	AE-100803-02
13		Base Rail (2) - After F2208	AE-102792-01	AE-102792-01
14		Base Rail (2) - Before F2208	AE-100803-01	AE-100803-01
15		Base Pan	AS-100804-01A	AS-100804-01A
16		Right Panel Assembly	AS-100820-02A	AS-100820-02A
17		Blower Support	AE-100818-02	AE-100818-02
		Insulation Retainer (2)	AE-100831-01	AE-100831-01
		Duct Ring - 14 in.	58-100850-01	58-100850-01
18		Transition Bottom	AE-100815-01	AE-100815-01
19		Transition Top	AE-100815-02	AE-100815-02
20		Block Off Plate	AE-100816-01	AE-100816-01
21		Rear Panel Assembly	AS-100814-02A	AS-100814-02A
22		Rear Air Stop	AE-100810-02	AE-100810-02
23		Top Panel Assembly (Indoor)	AS-100828-01A	AS-100828-01A
24		Top Panel (Outdoor)	AS-100829-01A	AS-100829-01A
25		Grille	<a href="#">95-100906-07</a>	<a href="#">95-100906-07</a>
28		Blower Support	AE-100818-01	AE-100818-01
29		Bulkhead Cap Assembly	AS-100826-01A	AS-100826-01A
30		Bulkhead Assembly	AS-100812-02	AS-100812-02
37		Low Voltage Mount	AE-100839-01	AE-100839-01
38		Low Voltage Cover	AE-100839-02	AE-100839-02
43		Heater Kit Delete Plate (Mounted in Control Box)	AE-100842-01	AE-100842-01
49		Gauge Port Enclosure	AE-101352-01	AE-101352-01

No.	Notes	MODEL TECHNICAL VARIATION COOLING CAPACITY ELECTRICAL DESIGNATION	RSPM A 024 J	RSPM A 030 J	RSPM A 036 C	RSPM A 036 J
<b>ELECTRICAL GROUP</b>						
CONTROL BOX COMPONENTS:						
39		Terminal Strip	45-23591-01	45-23591-01	45-23591-01	45-23591-01
40	Stk	Transformer	46-100836-01	46-100836-01	46-100836-01	46-100836-01
42	Stk	Relay	<a href="#">42-21571-08</a>	<a href="#">42-21571-08</a>	<a href="#">42-21571-08</a>	42-101208-01
		Wiring Harness - 6 pin to heater kit	45-104222-01	45-104222-01	45-104222-01	45-104222-01
46	Stk	Contactactor	42-42478-04	42-42478-04	42-102664-08	42-42478-04
47		Capacitor Strap - Compressor/Fan	AE-50892-56	AE-50892-56	AE-50892-01	AE-50892-56
48	Stk	Capacitor - Compressor/Fan	See Compressor Group			

No.	Notes	MODEL TECHNICAL VARIATION COOLING CAPACITY ELECTRICAL DESIGNATION	RSPM A 042 C	RSPM A 042 J	RSPM A 043 C	RSPM A 043 J
<b>ELECTRICAL GROUP</b>						
CONTROL BOX COMPONENTS:						
39		Terminal Strip	45-23591-01	45-23591-01	45-23591-01	45-23591-01
40	Stk	Transformer	46-100836-01	46-100836-01	46-100836-01	46-100836-01
42	Stk	Relay	<a href="#">42-21571-08</a>	42-101208-01	<a href="#">42-21571-08</a>	<a href="#">42-21571-08</a>
		Wiring Harness - 6 pin to heater kit	45-104222-01	45-104222-01	45-104222-01	45-104222-01
46	Stk	Contactactor	42-102664-08	42-42478-04	42-102664-08	42-42478-04
47		Capacitor Strap - Compressor/Fan	AE-50892-01	AE-50892-56	AE-50892-01	AE-50892-56
48	Stk	Capacitor - Compressor/Fan	See Compressor Group			
	1	Outdoor Fan Control - See Note 1	N/A	N/A	See Fan Group	

No.	Notes	MODEL TECHNICAL VARIATION COOLING CAPACITY ELECTRICAL DESIGNATION	RSPM A 048 C	RSPM A 048 J	RSPM A 060 C	RSPM A 060 J
<b>ELECTRICAL GROUP</b>						
CONTROL BOX COMPONENTS:						
39		Terminal Strip	45-23591-01	45-23591-01	45-23591-01	45-23591-01
40	Stk	Transformer	46-100836-01	46-100836-01	46-100836-01	46-100836-01
42	Stk	Relay	<a href="#">42-21571-08</a>	<a href="#">42-21571-08</a>	<a href="#">42-21571-08</a>	<a href="#">42-21571-08</a>
		Wiring Harness - 6 pin to heater kit	45-104222-01	45-104222-01	45-104222-01	45-104222-01
46	Stk	Contactactor	42-102664-08	42-42478-04	42-102664-08	42-42478-02
47		Capacitor Strap - Compressor/Fan	AE-50892-01	AE-50892-56	AE-50892-01	AE-50892-56
48	Stk	Capacitor - Compressor/Fan	See Compressor Group			

No.	Notes	MODEL TECHNICAL VARIATION COOLING CAPACITY ELECTRICAL DESIGNATION	RSPM A 024 J	RSPM A 030 J	RSPM A 036 C	RSPM A 036 J
<b>FAN GROUP</b>						
26	Stk	Fan Motor	51-100998-24	51-100998-24	51-100998-24	51-100998-24
27	Stk	Fan Blade	70-100580-08	70-100580-08	70-100580-08	70-100580-08
48		Capacitor - Fan Motor	See Compressor Group			

No.	Notes	MODEL TECHNICAL VARIATION COOLING CAPACITY ELECTRICAL DESIGNATION	RSPM A 042 C	RSPM A 042 J	RSPM A 043 C	RSPM A 043 J
<b>FAN GROUP</b>						
26	Stk	Fan Motor	51-100998-24	51-100998-24	N/A	N/A
26	Stk	Fan Motor - Includes Outdoor Fan Control (OFC)	N/A	N/A	51-103329-02	51-103329-02
27	Stk	Fan Blade	70-100580-08	70-100580-08	70-101323-20	70-101323-20
48		Capacitor - Fan Motor	See Compressor Group			

No.	Notes	MODEL TECHNICAL VARIATION COOLING CAPACITY ELECTRICAL DESIGNATION	RSPM A 048 C	RSPM A 048 J	RSPM A 060 C	RSPM A 060 J
<b>FAN GROUP</b>						
26	Stk	Fan Motor	51-100998-25	51-100998-25	51-100998-25	51-100998-25
27	Stk	Fan Blade	70-102345-01	70-102345-01	70-102345-01	70-102345-01
48		Capacitor - Fan Motor	See Compressor Group			
<b>Note: The fan blade listed below is of a new design to further enhance sound characteristics and may be substituted for the above fan where applicable.</b>						
27	Stk	Fan Blade	70-100580-09	70-100580-09	70-100580-09	70-100580-09

No.	Notes	MODEL TECHNICAL VARIATION COOLING CAPACITY ELECTRICAL DESIGNATION	RSPM A 024 J	RSPM A 030 J	RSPM A 036 C	RSPM A 036 J
<b>BLOWER GROUP</b>						
	Stk	Blower Assembly	AS-100841-09	AS-100841-10	AS-100841-11	AS-100841-11
51		Blower Housing w/Wheel	<a href="#">70-100840-01</a>	<a href="#">70-100840-01</a>	<a href="#">70-100840-01</a>	<a href="#">70-100840-01</a>
	Stk	Blower Wheel	703017	703017	703017	703017
52		Motor Band	70-19927-03	70-19927-03	70-19927-03	70-19927-03
53		Blower Arm Assembly (3)	70-19929-09	70-19929-09	70-19929-09	70-19929-09
54	Stk	Blower Motor - X-13	<a href="#">51-101880-07</a>	<a href="#">51-101880-08</a>	<a href="#">51-101880-09</a>	<a href="#">51-101880-09</a>

No.	Notes	MODEL TECHNICAL VARIATION COOLING CAPACITY ELECTRICAL DESIGNATION	RSPM A 042 C	RSPM A 042 J	RSPM A 043 C	RSPM A 043 J
<b>BLOWER GROUP</b>						
	Stk	Blower Assembly	AS-100841-12	AS-100841-12	AS-100841-12	AS-100841-12
51		Blower Housing w/Wheel	<a href="#">70-100840-02</a>	<a href="#">70-100840-02</a>	<a href="#">70-100840-02</a>	<a href="#">70-100840-02</a>
	Stk	Blower Wheel	<a href="#">703016</a>	<a href="#">703016</a>	<a href="#">703016</a>	<a href="#">703016</a>
52		Motor Band	70-19927-03	70-19927-03	70-19927-03	70-19927-03
53		Blower Arm Assembly (3)	70-19929-09	70-19929-09	70-19929-09	70-19929-09
54	Stk	Blower Motor - X-13	51-101920-06	51-101920-06	51-101920-06	51-101920-06

No.	Notes	MODEL TECHNICAL VARIATION COOLING CAPACITY ELECTRICAL DESIGNATION	RSPM A 048 C	RSPM A 048 J	RSPM A 060 C	RSPM A 060 J
<b>BLOWER GROUP</b>						
	Stk	Blower Assembly	AS-100841-13	AS-100841-13	AS-100841-08	AS-100841-08
51		Blower Housing w/Wheel	<a href="#">70-100840-02</a>	<a href="#">70-100840-02</a>	<a href="#">70-100840-02</a>	<a href="#">70-100840-02</a>
	Stk	Blower Wheel	<a href="#">703016</a>	<a href="#">703016</a>	<a href="#">703016</a>	<a href="#">703016</a>
52		Motor Band	70-19927-03	70-19927-03	70-19927-03	70-19927-03
53		Blower Arm Assembly (3)	70-19929-09	70-19929-09	70-19929-09	70-19929-09
54	Stk	Blower Motor - X-13	51-101920-07	51-101920-07	51-101984-04	51-101984-04

No.	Notes	MODEL TECHNICAL VARIATION COOLING CAPACITY	RSPM A 024	RSPM A 030	RSPM A 036	RSPM A 042
<b>COIL GROUP</b>						
<b>CONDENSER COIL:</b>						
32	Stk	Condenser Coil (Outdoor Coil)	AS-100793-18	AS-100793-07	AS-100793-07	AS-100793-07
<b>EVAPORATOR COIL:</b>						
33	Stk	Evaporator Coil (Indoor Coil)	AS-100792-18	AS-100792-19	AS-100792-19	AS-100792-20
33	Stk	Evaporator Coil (Indoor Coil) - Tin Plated	AS-104684-18	AS-104684-19	AS-104684-19	AS-104684-20
7		Drain Pan - Evaporator Coil	See Panels - Miscellaneous			
34		Bulb Strainer	N/A	N/A	N/A	N/A
35	Stk	TXV	61-102213-09	61-102213-01	61-102211-16	61-102213-10
		TXV Bulb Strap Kit	64-101357-01	64-101357-01	64-101357-01	64-101357-01
36		Draintrap Assembly	68-100846-02	68-100846-02	68-100846-02	68-100846-02
<b>REFRIGERATION GROUP:</b>						
50		Gaugeport Manifold - Valve Body (2)	61-22369-04	61-22369-04	61-22369-04	61-22369-04
50		Gaugeport Manifold - Valve Core (2)	61-18551-01	61-18551-01	61-18551-01	61-18551-01

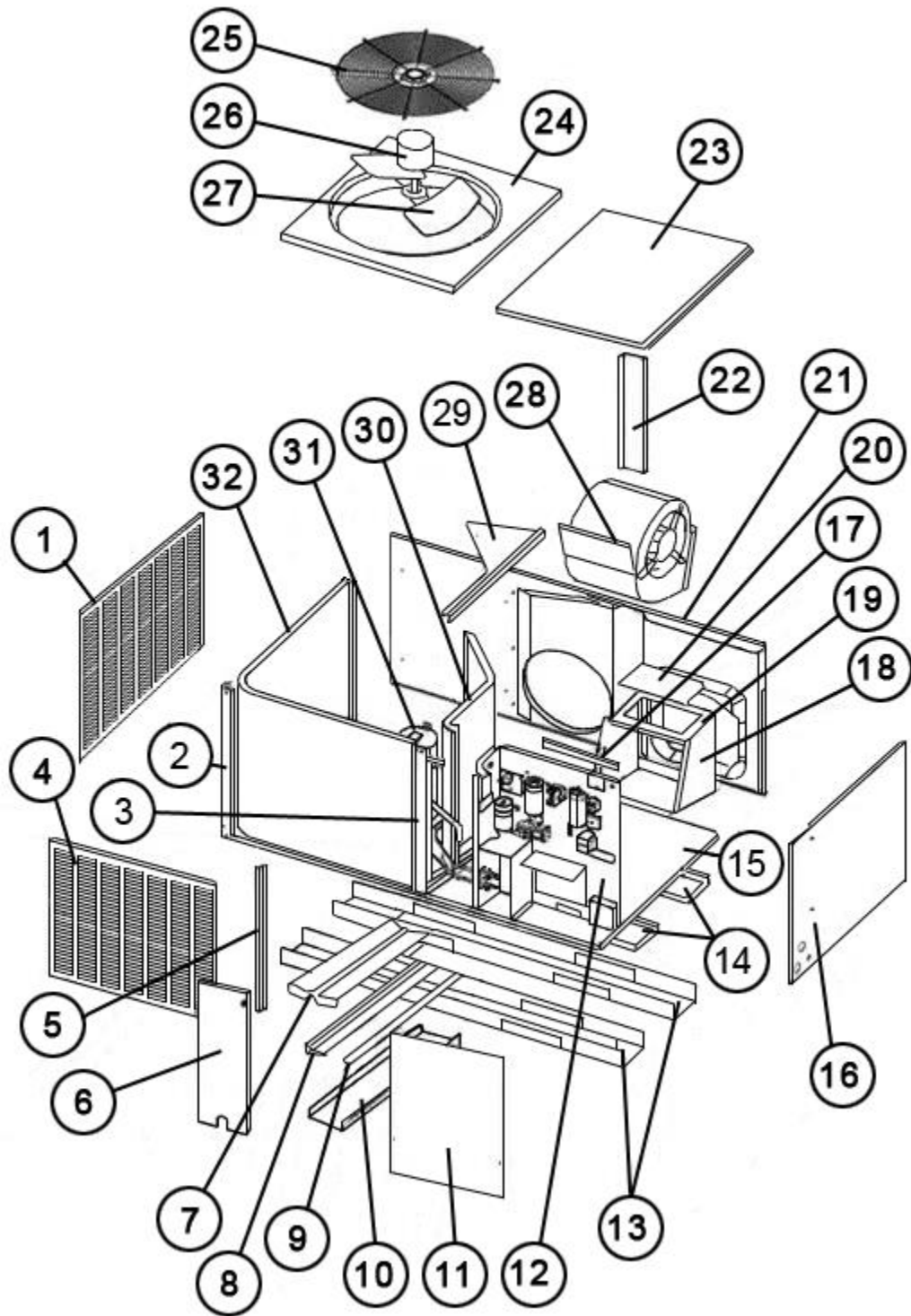
No.	Notes	MODEL TECHNICAL VARIATION COOLING CAPACITY	RSPM A 043	RSPM A 048	RSPM A 060	
<b>COIL GROUP</b>						
<b>CONDENSER COIL:</b>						
32	Stk	Condenser Coil (Outdoor Coil)	AS-100793-07	AS-100793-19	AS-100793-09	
<b>EVAPORATOR COIL:</b>						
33	Stk	Evaporator Coil (Indoor Coil)	AS-100792-20	AS-100792-21	AS-100792-22	
33	Stk	Evaporator Coil (Indoor Coil) - Tin Plated	AS-104684-20	AS-104684-21	AS-104684-22	
7		Drain Pan - Evaporator Coil	See Panels - Miscellaneous			
34		Bulb Strainer	N/A	N/A	N/A	
35	Stk	TXV	61-102213-10	61-102213-12	61-102213-11	
		TXV Bulb Strap Kit	64-101357-01	64-101357-01	64-101357-01	
36		Draintrap Assembly	68-100846-02	68-100846-02	68-100846-02	
<b>REFRIGERATION GROUP:</b>						
50		Gaugeport Manifold - Valve Body (2)	61-22369-04	61-22369-04	61-22369-04	
50		Gaugeport Manifold - Valve Core (2)	61-18551-01	61-18551-01	61-18551-01	

No.	Notes	MODEL TECHNICAL VARIATION COOLING CAPACITY ELECTRICAL DESIGNATION	RSPM A 024 J	RSPM A 030 J	RSPM A 036 C	RSPM A 036 J
<b>COMPRESSOR GROUP</b>						
		<b>Compressor ID:</b>	<b>7593</b>	<b>7594</b>	<b>7601</b>	<b>7595</b>
31	Stk	Compressor	55-102045-24S	55-102045-02S	55-102045-05S	55-102045-03S
48	Stk	Run Capacitor - Fan/Compressor	43-26261-44	43-26271-09	43-100496-03	43-26271-41
55	Stk	Compressor Wiring Harness (Molded Plug)	45-100834-80	45-100834-80	45-100834-80	45-100834-80
		<b>Compressor ID:</b>			<b>7602</b>	<b>7596</b>
31	Stk	Compressor			55-102282-08	55-102282-07
48	Stk	Run Capacitor - Fan/Compressor			43-100496-03	43-26271-41
	Stk	Compressor Wiring Harness (Molded Plug)			45-102303-01	45-102303-01

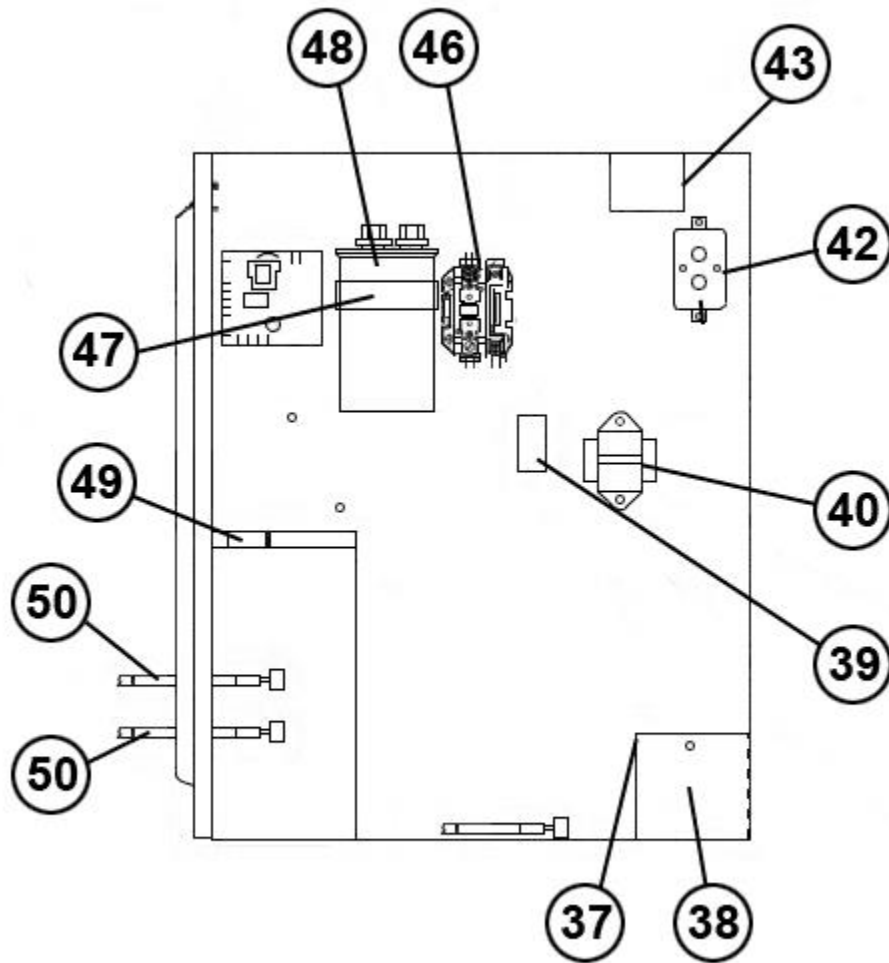
No.	Notes	MODEL TECHNICAL VARIATION COOLING CAPACITY ELECTRICAL DESIGNATION	RSPM A 042 C	RSPM A 042 J	RSPM A 043 C	RSPM A 043 J
<b>COMPRESSOR GROUP</b>						
		<b>Compressor ID:</b>	<b>7603</b>	<b>7597</b>	<b>8180</b>	<b>8179</b>
31	Stk	Compressor	55-102045-16S	55-102045-12S	55-102045-16S	55-102045-12S
48	Stk	Run Capacitor - Fan/Compressor	43-100496-03	43-26271-41	N/A	N/A
48	Stk	Run Capacitor - Compressor	N/A	N/A	N/A	43-101666-37
	Stk	Compressor Wiring Harness (Molded Plug)	45-100834-80	45-100834-80	45-100834-80	45-100834-80

No.	Notes	MODEL TECHNICAL VARIATION COOLING CAPACITY ELECTRICAL DESIGNATION	RSPM A 048 C	RSPM A 048 J	RSPM A 060 C	RSPM A 060 J
<b>COMPRESSOR GROUP</b>						
		<b>Compressor ID:</b>	<b>7604</b>	<b>7598</b>	<b>7606</b>	<b>7600</b>
31	Stk	Compressor	55-102045-08S	55-102045-06S	55-102045-27S	55-102045-26S
48	Stk	Run Capacitor - Fan/Compressor	43-100496-09	43-26271-48	43-100496-09	43-101662-47
55	Stk	Compressor Wiring Harness (Molded Plug)	45-100834-80	45-100834-80	45-100834-80	45-100834-80
		<b>Compressor ID:</b>	<b>7605</b>	<b>7599</b>		
31	Stk	Compressor	55-102282-10	55-102282-09		
48	Stk	Run Capacitor - Fan/Compressor	43-100496-09	43-26261-39		
	Stk	Compressor Wiring Harness (Molded Plug)	45-102303-01	45-102303-01		

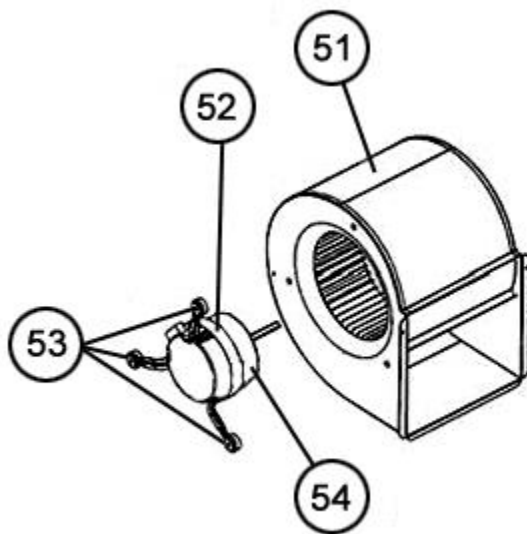
No.	Notes	MODEL TECHNICAL VARIATION COOLING CAPACITY ELECTRICAL DESIGNATION	RSPM A 024 J	RSPM A 030 J	RSPM A 036 C	RSPM A 036 J
<b>HEATER KITS</b>						
		Heater Kit (5 kW)	RXQJ-C05J	RXQJ-C05J	N/A	RXQJ-C05J
		Heater Kit (7 kW)	RXQJ-C07J	RXQJ-C07J	N/A	RXQJ-C07J
		Heater Kit (10 kW)	RXQJ-C10J	RXQJ-C10J	RXQJ-C10C	RXQJ-C10J
		Heater Kit (15 kW)	N/A	RXQJ-C15J	RXQJ-C15C	RXQJ-C15J
No.	Notes	MODEL TECHNICAL VARIATION COOLING CAPACITY ELECTRICAL DESIGNATION	RSPM A 042/043 C	RSPM A 042/043 J	RSPM A 048 C	RSPM A 048 J
<b>HEATER KITS</b>						
		Heater Kit (5 kW)	N/A	RXQJ-C05J	N/A	RXQJ-C05J
		Heater Kit (7 kW)	N/A	RXQJ-C07J	N/A	RXQJ-C07J
		Heater Kit (10 kW)	RXQJ-C10C	RXQJ-C10J	RXQJ-C10C	RXQJ-C10J
		Heater Kit (15 kW)	RXQJ-C15C	RXQJ-C15J	RXQJ-C15C	RXQJ-C15J
		Heater Kit (20 kW)	RXQJ-C20C	RXQJ-C20J	RXQJ-C20C	RXQJ-C20J
No.	Notes	MODEL TECHNICAL VARIATION COOLING CAPACITY ELECTRICAL DESIGNATION	RSPM A 060 C	RSPM A 060 J		
<b>HEATER KITS</b>						
		Heater Kit (5 kW)	N/A	RXQJ-C05J		
		Heater Kit (7 kW)	N/A	RXQJ-C07J		
		Heater Kit (10 kW)	RXQJ-C10C	RXQJ-C10J		
		Heater Kit (15 kW)	RXQJ-C15C	RXQJ-C15J		
		Heater Kit (20 kW)	RXQJ-C20C	RXQJ-C20J		
No.	Notes	MODEL TECHNICAL VARIATION COOLING CAPACITY ELECTRICAL DESIGNATION	RSPM A ALL ALL			
<b>ACCESSORIES</b>						
		Outdoor Thermostat	RXPT-A01			



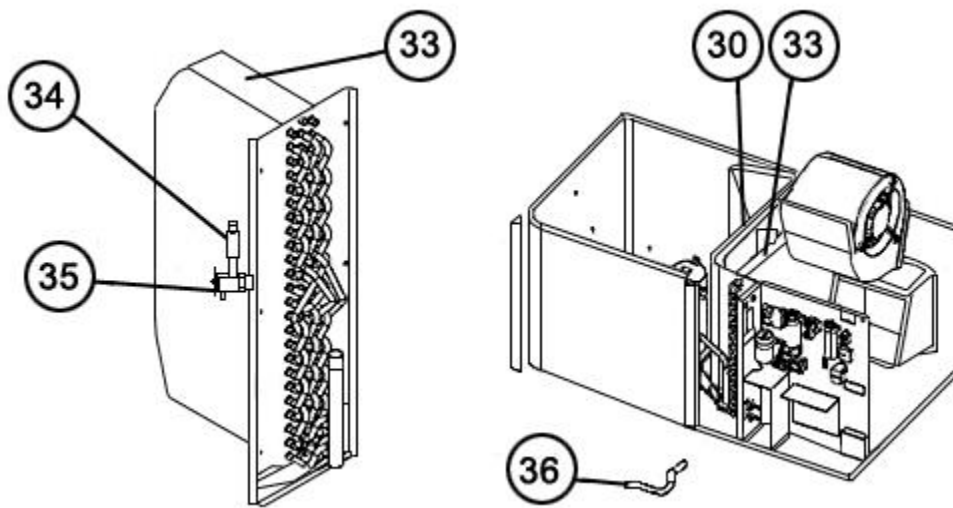
Exploded View



Control Panel



Blower Assembly



Coil Assembly

# NOTES

Stk It is recommended that stock be maintained for this part.  
N/A Not Applicable  
1 Not available as a separate component.

**DISCLAIMER:** This document is intended to provide general replacement parts information to aid qualified service personnel in the repair of these models. The complete Model and Serial Number of the unit under repair should be specified when selecting and ordering replacement parts. Specifications and illustrations are subject to change without notice. Document 92-42800-RSPM supersedes all previous parts lists for these models. See <http://www.rheempartslists.net/92-42800-RSPM> for the latest revision of this document. The manufacturer assumes no obligation for errors or omissions. Service personnel must verify the proper and safe operation of equipment after the replacement of any original components.