



RQRM

Parts List
24-February-2021



*This parts list is current as of the above revision date.
See <http://www.rheempartslists.net/92-42800-RQRM.pdf> for the current revision.*

Package Heat Pumps

Table of Contents

Model Explanation	Page 3
Parts Numbers	
Panels - Miscellaneous (Granite-Steel Gray)	Page 4
Panels - Miscellaneous (Neutra Green)	Page 5
Electrical Group	Page 6
Fan Group	Page 7
Blower Group	Page 7
Coil Parts	Page 8
Compressor Group	Page 9
Heater Kits	Page 10
Accessories	Page 10
Drawings/Photographs	
Exploded View	Page 11
Control Panel	Page 12
Blower Assembly	Page 13
Coil Assembly	Page 14
Compressor and Refrigeration Group	Page 15
Notes/Disclaimer	Page 16

MODEL NUMBER EXPLANATION

R	Q	R	M	-	A	0	3	0	J	K	0	0	0
1	2	3	4		5		6		7	8		9	

- | | | | |
|----------|--|----------|--|
| 1 | TRADEBRAND | 7 | ELECTRICAL DESIGNATION
J = 208-230/1/60
C = 208-230/3/60 |
| 2 | PRODUCT CLASSIFICATION | 8 | DRIVE PACKAGE
K = Direct Drive |
| 3 | EFFICIENCY DESIGNATION
R = 15/16 SEER | 9 | HEATING CAPACITY (ELECTRIC HEAT)
000 = No Resistance Heat
005 = 5 kW
007 = 7 kW
010 = 10 kW
015 = 15 kW
020 = 20 kW |
| 4 | DESIGN SERIES
M = R410A | | |
| 5 | TECHNICAL VARIATION | | |
| 6 | COOLING CAPACITY (BTU/HR)
024 = 24,000
030 = 30,000
036 = 36,000
042 = 42,000
048 = 48,000
060 = 60,000 | | |

SERIAL NUMBER EXPLANATION (Units Produced before Sept. 2013)

8	2	8	7	F	2	7	1	0	9	9	9	9	9
	1			2	3		4			5			

- | | |
|----------|---|
| 1 | COMPRESSOR IDENTIFICATION NUMBER |
| 2 | PRODUCTION LOCATION
F = Fort Smith, AR
W = Nuevo Laredo (West) |
| 3 | WEEK OF PRODUCTION |
| 4 | YEAR OF PRODUCTION |
| 5 | PRODUCTION NUMBER |

SERIAL NUMBER EXPLANATION (Units Produced after Sept. 2013)

W	0	8	1	3	9	9	9	9
(1)	(2)		(3)			(4)		

- | | |
|------------|--|
| (1) | PLANT CODE
W = Nuevo Laredo (West) |
| (2) | WEEK OF PRODUCTION |
| (3) | YEAR OF PRODUCTION |
| (4) | PRODUCTION NUMBER |

Note: For Compressor Identification Number, see Compressor Code on Rating Plate

No.	Notes	MODEL TECHNICAL VARIATION COOLING CAPACITY ELECTRICAL DESIGNATION HEATING CAPACITY	RQRM	RQRM	RQRM	RQRM	RQRM	RQRM
			A 024 J 000-010	A 030 J 000-010	A 036 J 000-015	A 042 J 000-020	A 048 J 000-020	A 060 J 000-020
PANELS, MISCELLANEOUS PARTS (Granite Steel Gray - After F4411)								
1		Panel - Louver	AS-100830-02H	AS-100830-04H	AS-100830-04H	AS-100830-04H	AS-100830-04H	AS-100830-04H
2		Corner Post	AS-100822-01H	AS-100822-02H	AS-100822-02H	AS-100822-02H	AS-100822-02H	AS-100822-02H
3		Front Post	AS-100821-01H	AS-100821-02H	AS-100821-02H	AS-100821-02H	AS-100821-02H	AS-100821-02H
4		Panel - Louver	AS-100830-01H	AS-100830-03H	AS-100830-03H	AS-100830-03H	AS-100830-03H	AS-100830-03H
5		Insulation Retainer	AE-100831-02	AE-100831-03	AE-100831-03	AE-100831-03	AE-100831-03	AE-100831-03
6		Front Access Panel	AS-100823-01H	AS-100823-02H	AS-100823-02H	AS-100823-02H	AS-100823-02H	AS-100823-02H
7		Drainpan	See Coil Group					
8		Air Stop - Drainpan	AE-100825-01	AE-100825-01	AE-100825-01	AE-100825-01	AE-100825-01	AE-100825-01
9		Air Stop - Drainpan	AE-100825-02	AE-100825-02	AE-100825-02	AE-100825-02	AE-100825-02	AE-100825-02
10		Drain Pan Tray	AS-100809-01H	AS-100809-01H	AS-100809-01H	AS-100809-01H	AS-100809-01H	AS-100809-01H
11		Control Access Panel	AS-100824-01H	AS-100824-02H	AS-100824-02H	AS-100824-02H	AS-100824-02H	AS-100824-02H
12		Control Panel Assembly	AS-100807-01	AS-100807-02	AS-100807-02	AS-100807-02	AS-100807-02	AS-100807-02
13		Base Rail (2)	AE-102792-01	AE-102792-01	AE-102792-01	AE-102792-01	AE-102792-01	AE-102792-01
15		Base Pan	AS-100804-01H	AS-100804-01H	AS-100804-01H	AS-100804-01H	AS-100804-01H	AS-100804-01H
16		Right Panel Assembly	AS-100820-01H	AS-100820-02H	AS-100820-02H	AS-100820-02H	AS-100820-02H	AS-100820-02H
17		Blower Support	AE-100818-02	AE-100818-02	AE-100818-02	AE-100818-02	AE-100818-02	AE-100818-02
		Insulation Retainer (2)	AE-100831-01	AE-100831-01	AE-100831-01	AE-100831-01	AE-100831-01	AE-100831-01
		Duct Ring - 14 in.	58-100850-01	58-100850-01	58-100850-01	58-100850-01	58-100850-01	58-100850-01
18		Transition Bottom	AE-100815-01	AE-100815-01	AE-100815-01	AE-100815-01	AE-100815-01	AE-100815-01
19		Transition Top	AE-100815-02	AE-100815-02	AE-100815-02	AE-100815-02	AE-100815-02	AE-100815-02
20		Block Off Plate	AE-100816-01	AE-100816-01	AE-100816-01	AE-100816-01	AE-100816-01	AE-100816-01
21		Rear Panel Assembly	AS-100814-01H	AS-100814-02H	AS-100814-02H	AS-100814-02H	AS-100814-02H	AS-100814-02H
22		Rear Air Stop	AE-100810-01	AE-100810-02	AE-100810-02	AE-100810-02	AE-100810-02	AE-100810-02
23		Top Panel Assembly (Indoor)	AS-100828-01H	AS-100828-01H	AS-100828-01H	AS-100828-01H	AS-100828-01H	AS-100828-01H
24		Top Panel (Outdoor)	AS-100829-01H	AS-100829-01H	AS-100829-01H	AS-100829-01H	AS-100829-01H	AS-100829-01H
25		Grille	95-100906-07	95-100906-07	95-100906-07	95-100906-07	95-100906-07	95-100906-07
28		Blower Support	AE-100818-01	AE-100818-01	AE-100818-01	AE-100818-01	AE-100818-01	AE-100818-01
29		Bulkhead Cap Assembly	AS-100826-01H	AS-100826-01H	AS-100826-01H	AS-100826-01H	AS-100826-01H	AS-100826-01H
30		Bulkhead Assembly	AS-100812-01	AS-100812-02	AS-100812-02	AS-100812-02	AS-100812-02	AS-100812-02
38		Low Voltage Mount	AE-100839-01	AE-100839-01	AE-100839-01	AE-100839-01	AE-100839-01	AE-100839-01
39		Low Voltage Cover	AE-100839-02	AE-100839-02	AE-100839-02	AE-100839-02	AE-100839-02	AE-100839-02
44		Heater Kit Delete Plate (Mounted in Control Box)	AE-100842-01	AE-100842-01	AE-100842-01	AE-100842-01	AE-100842-01	AE-100842-01
51		Gaugeport Enclosure	AE-101352-01	AE-101352-01	AE-101352-01	AE-101352-01	AE-101352-01	AE-101352-01

No.	Notes	MODEL TECHNICAL VARIATION COOLING CAPACITY ELECTRICAL DESIGNATION HEATING CAPACITY	RQRM A 024 J 000-010	RQRM A 030 J 000-010	RQRM A 036 J 000-015	RQRM A 042 J 000-020	RQRM A 048 J 000-020	RQRM A 060 J 000-020
PANELS, MISCELLANEOUS PARTS (Neutra Green - Before F4411)								
1		Panel - Louver	AS-100830-02A	AS-100830-04A	AS-100830-04A	AS-100830-04A	AS-100830-04A	AS-100830-04A
2		Corner Post	AS-100822-01A	AS-100822-02A	AS-100822-02A	AS-100822-02A	AS-100822-02A	AS-100822-02A
3		Front Post	AS-100821-01A	AS-100821-02A	AS-100821-02A	AS-100821-02A	AS-100821-02A	AS-100821-02A
4		Panel - Louver	AS-100830-01A	AS-100830-03A	AS-100830-03A	AS-100830-03A	AS-100830-03A	AS-100830-03A
5		Insulation Retainer	AE-100831-02	AE-100831-03	AE-100831-03	AE-100831-03	AE-100831-03	AE-100831-03
6		Front Access Panel	AS-100823-01A	AS-100823-02A	AS-100823-02A	AS-100823-02A	AS-100823-02A	AS-100823-02A
7		Drainpan	See Coil Group					
8		Air Stop - Drainpan	AE-100825-01	AE-100825-01	AE-100825-01	AE-100825-01	AE-100825-01	AE-100825-01
9		Air Stop - Drainpan	AE-100825-02	AE-100825-02	AE-100825-02	AE-100825-02	AE-100825-02	AE-100825-02
10		Drain Pan Tray	AS-100809-01A	AS-100809-01A	AS-100809-01A	AS-100809-01A	AS-100809-01A	AS-100809-01A
11		Control Access Panel	AS-100824-01A	AS-100824-02A	AS-100824-02A	AS-100824-02A	AS-100824-02A	AS-100824-02A
12		Control Panel Assembly	AS-100807-01	AS-100807-02	AS-100807-02	AS-100807-02	AS-100807-02	AS-100807-02
13		Base Rail (2)	AE-102792-01	AE-102792-01	AE-102792-01	AE-102792-01	AE-102792-01	AE-102792-01
15		Base Pan	AS-100804-01A	AS-100804-01A	AS-100804-01A	AS-100804-01A	AS-100804-01A	AS-100804-01A
16		Right Panel Assembly	AS-100820-01A	AS-100820-02A	AS-100820-02A	AS-100820-02A	AS-100820-02A	AS-100820-02A
17		Blower Support	AE-100818-02	AE-100818-02	AE-100818-02	AE-100818-02	AE-100818-02	AE-100818-02
		Insulation Retainer (2)	AE-100831-01	AE-100831-01	AE-100831-01	AE-100831-01	AE-100831-01	AE-100831-01
		Duct Ring - 14 in.	58-100850-01	58-100850-01	58-100850-01	58-100850-01	58-100850-01	58-100850-01
18		Transition Bottom	AE-100815-01	AE-100815-01	AE-100815-01	AE-100815-01	AE-100815-01	AE-100815-01
19		Transition Top	AE-100815-02	AE-100815-02	AE-100815-02	AE-100815-02	AE-100815-02	AE-100815-02
20		Block Off Plate	AE-100816-01	AE-100816-01	AE-100816-01	AE-100816-01	AE-100816-01	AE-100816-01
21		Rear Panel Assembly	AS-100814-01A	AS-100814-02A	AS-100814-02A	AS-100814-02A	AS-100814-02A	AS-100814-02A
22		Rear Air Stop	AE-100810-01	AE-100810-02	AE-100810-02	AE-100810-02	AE-100810-02	AE-100810-02
23		Top Panel Assembly (Indoor)	AS-100828-01A	AS-100828-01A	AS-100828-01A	AS-100828-01A	AS-100828-01A	AS-100828-01A
24		Top Panel (Outdoor)	AS-100829-01A	AS-100829-01A	AS-100829-01A	AS-100829-01A	AS-100829-01A	AS-100829-01A
25		Grille	95-100906-07	95-100906-07	95-100906-07	95-100906-07	95-100906-07	95-100906-07
28		Blower Support	AE-100818-01	AE-100818-01	AE-100818-01	AE-100818-01	AE-100818-01	AE-100818-01
29		Bulkhead Cap Assembly	AS-100826-01A	AS-100826-01A	AS-100826-01A	AS-100826-01A	AS-100826-01A	AS-100826-01A
30		Bulkhead Assembly	AS-100812-01	AS-100812-02	AS-100812-02	AS-100812-02	AS-100812-02	AS-100812-02
38		Low Voltage Mount	AE-100839-01	AE-100839-01	AE-100839-01	AE-100839-01	AE-100839-01	AE-100839-01
39		Low Voltage Cover	AE-100839-02	AE-100839-02	AE-100839-02	AE-100839-02	AE-100839-02	AE-100839-02
44		Heater Kit Delete Plate (Mounted in Control Box)	AE-100842-01	AE-100842-01	AE-100842-01	AE-100842-01	AE-100842-01	AE-100842-01
51		Gaugeport Enclosure	AE-101352-01	AE-101352-01	AE-101352-01	AE-101352-01	AE-101352-01	AE-101352-01

No.	Notes	MODEL TECHNICAL VARIATION COOLING CAPACITY ELECTRICAL DESIGNATION HEATING CAPACITY	RQRM A 024 J 000-010	RQRM A 030 J 000-010	RQRM A 036 J 000-015	RQRM A 042 J 000-020	RQRM A 048 J 000-020	RQRM A 060 J 000-020	
ELECTRICAL GROUP									
CONTROL BOX COMPONENTS:									
40		Terminal Strip	45-23591-01	45-23591-01	45-23591-01	45-23591-01	45-23591-01	45-23591-01	
41	Stk	Transformer	46-18788-11	46-18788-11	46-18788-11	46-18788-11	46-18788-11	46-18788-11	
43	Stk	Relay	42-21571-08	42-21571-08	42-21571-08	42-21571-08	42-21571-08	42-21571-08	
47	Stk	Contactora	42-42478-04	42-42478-04	42-42478-04	42-42478-04	42-42478-04	42-42478-02	
48	Stk	Capacitor - Compressor/Fan	See Compressor Group						
		Wiring Harness - 6 pin to heater kit	45-104222-01	45-104222-01	45-104222-01	45-104222-01	45-104222-01	45-104222-01	
49		Capacitor Strap (Compressor/Fan)	AE-50892-56	AE-50892-56	AE-50892-56	AE-50892-56	AE-50892-56	AE-50892-56	
50	Stk	Defrost Control Board	47-102685-05	47-102685-05	47-102685-05	47-102685-05	47-102685-05	47-102685-05	
		Ambient Sensor	47-102709-01	47-102709-01	47-102709-01	47-102709-01	47-102709-01	47-102709-01	
		Coil Sensor	47-102710-02	47-102710-02	47-102710-02	47-102710-02	47-102710-02	47-102710-02	
		High Pressure Control	47-102290-01	47-102290-01	47-102290-01	47-102290-01	47-102290-01	47-102290-01	
		Low Pressure Control	47-102240-04	47-102240-04	47-102240-04	47-102240-04	47-102240-04	47-102240-04	
	1	Outdoor Fan Control - See Note 1	N/A	N/A	N/A	See Fan Group	See Fan Group	See Fan Group	

No.	Notes	MODEL	RQRM	RQRM	RQRM	RQRM	RQRM	RQRM	
		TECHNICAL VARIATION	A	A	A	A	A	A	
		COOLING CAPACITY	024	030	036	042	048	060	
		ELECTRICAL DESIGNATION	J	J	J	J	J	J	
		HEATING CAPACITY	000-010	000-010	000-015	000-020	000-020	000-020	
FAN GROUP									
26	Stk	Fan Motor	51-100998-24	51-100998-24	51-100998-24	N/A	N/A	N/A	
26	Stk	Fan Motor - Includes Outdoor Fan Control (OFC)	N/A	N/A	N/A	51-103329-03	51-103329-01	51-103329-03	
27	Stk	Fan Blade	70-101323-20	70-101323-20	70-101323-20	70-102345-01	70-102345-01	70-102345-01	
48		Capacitor - Fan Motor	See Compressor Group					N/A	

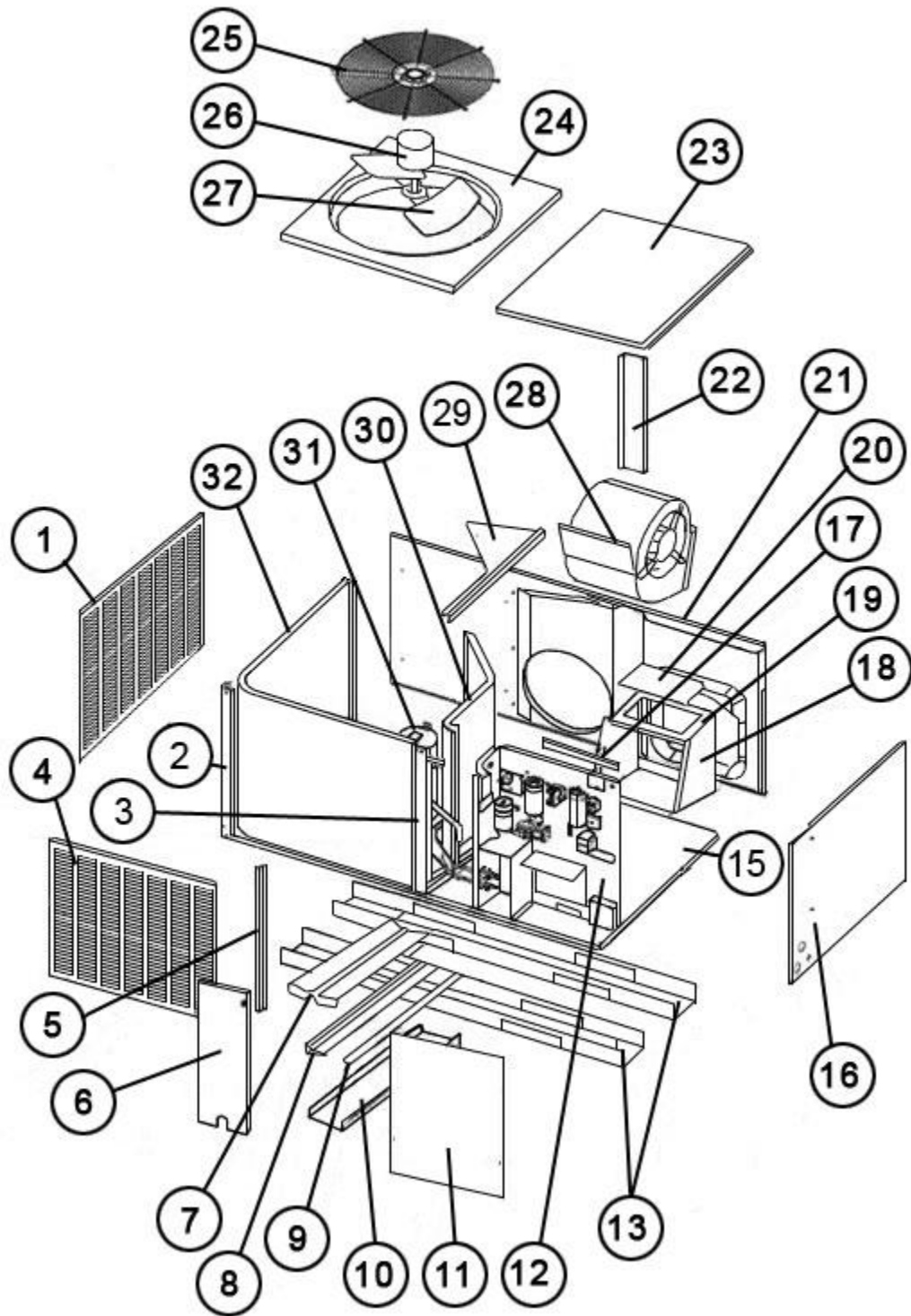
No.	Notes	MODEL	RQRM	RQRM	RQRM	RQRM	RQRM	RQRM
		TECHNICAL VARIATION	A	A	A	A	A	A
		COOLING CAPACITY	024	030	036	042	048	060
		ELECTRICAL DESIGNATION	J	J	J	J	J	J
		HEATING CAPACITY	000-010	000-010	000-015	000-020	000-020	000-020
BLOWER GROUP								
	Stk	Blower Assembly	AS-100841-09	AS-100841-20	AS-100841-19	AS-100841-12	AS-100841-13	AS-100841-21
53	Stk	Blower Housing w/Wheel	70-100840-01	70-100840-02	70-100840-02	70-100840-02	70-100840-02	70-100840-02
	Stk	Blower Wheel	703017	703016	703016	703016	703016	703016
54		Motor Band	70-19927-03	70-19927-03	70-19927-03	70-19927-03	70-19927-03	70-19927-03
55		Blower Arm Assembly	70-19929-09	70-19929-09	70-19929-09	70-19929-09	70-19929-09	70-19929-09
56	Stk	Blower Motor	51-101880-07	51-101880-20	51-101880-19	51-101920-06	51-101920-07	51-101984-14

No.	Notes	MODEL TECHNICAL VARIATION COOLING CAPACITY	RQRM A 024	RQRM A 030	RQRM A 036	RQRM A 042	RQRM A 048	RQRM A 060
COIL GROUP								
CONDENSER COIL:								
32	Stk	Condenser Coil - Outdoor	AS-100793-22	AS-100793-17	AS-100793-17	AS-100793-17	AS-100793-17	AS-100793-17
34a		Distributor Assembly	83-102272-02	83-102272-02	83-102272-02	83-102272-02	83-102272-02	83-102272-02
37b	Stk	TXV - (Outdoor Coil)	61-103652-17	61-102993-15	61-102993-15	61-103652-19	61-102993-13	61-103652-21
EVAPORATOR COIL:								
33	Stk	Evaporator Coil - Indoor	AS-100792-24	AS-100792-23	AS-100792-16	AS-100792-17	AS-100792-17	AS-100792-17
33	Stk	Evaporator Coil (Indoor) - Tin Plated	AS-104684-24	AS-104684-23	AS-104684-16	AS-104684-17	AS-104684-17	AS-104684-17
7	Stk	Drain Pan - Evaporator Coil	68-100808-02	68-100808-02	68-100808-02	68-100808-02	68-100808-02	68-100808-02
34b		Distributor Assembly	83-102278-09	83-102278-02	83-102278-03	83-102278-04	83-102278-04	83-102278-04
35		Drain Trap Assembly	68-100846-02	68-100846-02	68-100846-02	68-100846-02	68-100846-02	68-100846-02
37a	Stk	TXV - (Indoor Coil)	61-103652-16	61-102993-14	61-102993-14	61-103652-18	61-102993-12	61-103652-20
		TXV Bulb Strap Kit (2)	64-101357-01	64-101357-01	64-101357-01	64-101357-01	64-101357-01	64-101357-01
REFRIGERATION GROUP:								
37c	Stk	Charge Compensator	83-25361-08	83-25361-02	N/A	N/A	83-25361-13	N/A
37d	Stk	Filter Drier	83-41714-01	83-41714-01	83-41714-01	83-41714-01	83-41714-01	83-41714-01
36	Stk	Reversing Valve w/Coil	61-102498-09	61-102498-09	61-102498-09	61-102498-06	61-102498-06	61-102498-03
	Stk	Solenoid Coil - RV	61-101713-92	61-101713-92	61-101713-92	61-101713-92	61-101713-92	61-101713-92
	Stk	Wiring Harness - Reversing Valve	61-26149-01	61-26149-01	61-26149-01	61-26149-01	61-26149-01	61-26149-01
		Valve Core	61-18551-01	61-18551-01	61-18551-01	61-18551-01	61-18551-01	61-18551-01
		Valve Cap	83-100635-01	83-100635-01	83-100635-01	83-100635-01	83-100635-01	83-100635-01
52		Bulkhead Valve Assembly (2)	61-101821-02	61-101821-02	61-101821-02	61-101821-02	61-101821-02	61-101821-02
		Low Pressure Control			See Electrical Group			
		Filter Drier Strap	AE-102132-01	AE-102132-01	AE-102132-01	AE-102132-01	AE-102132-01	AE-102132-01

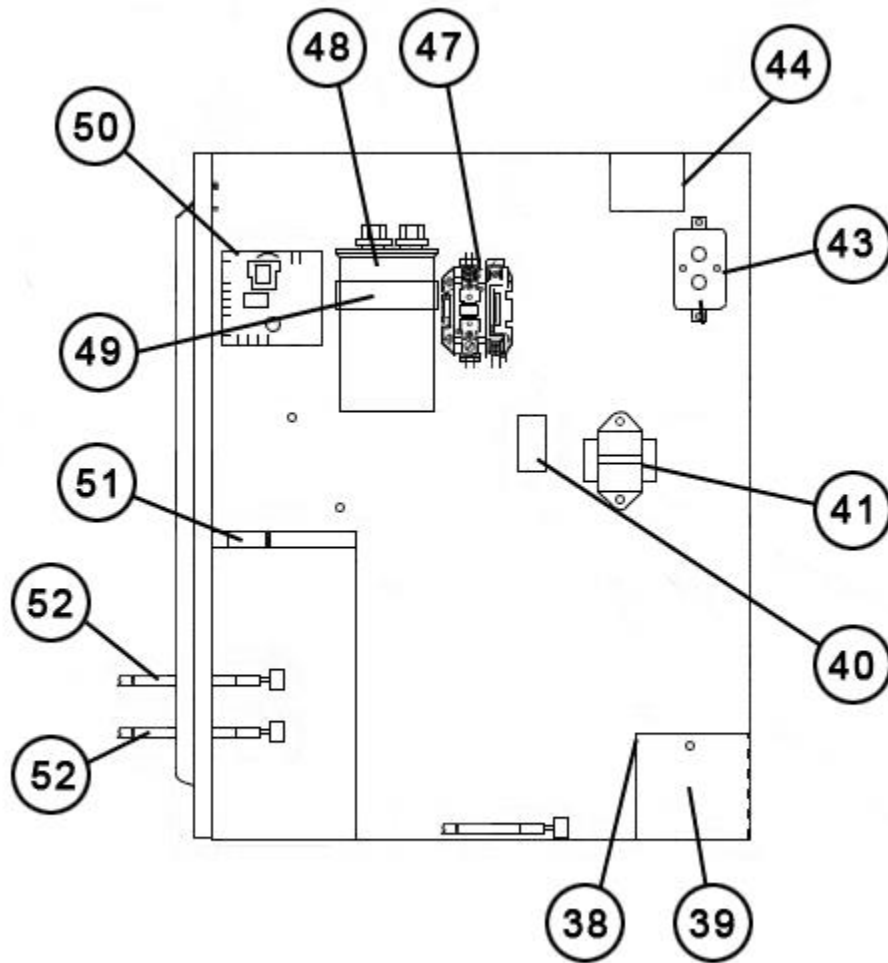
No.	Notes	MODEL TECHNICAL VARIATION COOLING CAPACITY ELECTRICAL DESIGNATION	RQRM A 024 J	RQRM A 030 J	RQRM A 036 J	RQRM A 042 J	RQRM A 048 J	RQRM A 060 J
COMPRESSOR GROUP								
		Compressor ID:	8362	8287	8288	8363	8326	8364/8583
31	Stk	Compressor	55-102045-24S	55-102045-31S	55-102045-66S	55-102045-15S	55-102045-17S	55-23156-34S
48	Stk	Run Capacitor - Fan/Compressor	43-101665-44	43-101665-09	43-101665-41	N/A	N/A	N/A
	Stk	Run Capacitor - Compressor	N/A	N/A	N/A	43-101666-37	43-101666-37	43-101666-25
57	Stk	Compressor Wiring Harness (Plug)	45-100834-03	45-100834-03	45-100834-03	45-100834-03	45-100834-03	45-100834-03
	Stk	Compressor Wiring Harness (Low Voltage)	N/A	N/A	N/A	N/A	N/A	45-101723-02
		Low Pressure Control	See Electrical Group					
		High Pressure Control	See Electrical Group					

No.	Notes	MODEL TECHNICAL VARIATION COOLING CAPACITY ELECTRICAL DESIGNATION	RQRM A 024 J	RQRM A 030 J	RQRM A 036 J	RQRM A 042 J	RQRM A 048 J	RQRM A 060 J
HEATER KITS								
		Heater Kit (5 kW)	RXQJ-C05J	RXQJ-C05J	RXQJ-C05J	RXQJ-C05J	RXQJ-C05J	RXQJ-C05J
		Heater Kit (7 kW)	RXQJ-C07J	RXQJ-C07J	RXQJ-C07J	RXQJ-C07J	RXQJ-C07J	RXQJ-C07J
		Heater Kit (10 kW)	RXQJ-C10J	RXQJ-C10J	RXQJ-C10J	RXQJ-C10J	RXQJ-C10J	RXQJ-C10J
		Heater Kit (15 kW)	RXQJ-C15J	RXQJ-C15J	RXQJ-C15J	RXQJ-C15J	RXQJ-C15J	RXQJ-C15J
		Heater Kit (20 kW)	N/A	N/A	N/A	RXQJ-C20J	RXQJ-C20J	RXQJ-C20J

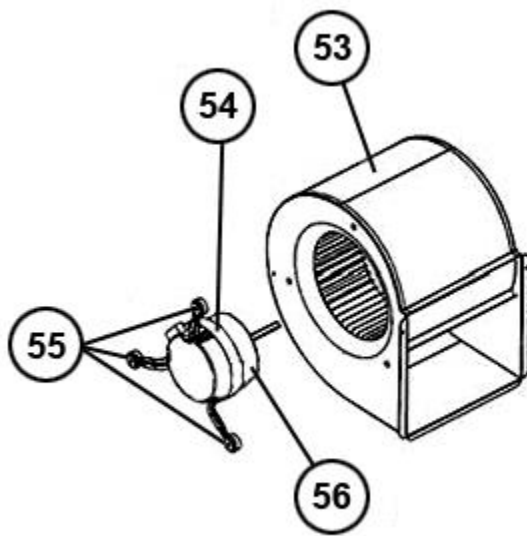
No.	Notes	MODEL TECHNICAL VARIATION COOLING CAPACITY	RQRM A ALL					
ACCESSORIES								
		Outdoor Thermostat	RXPT-A01					



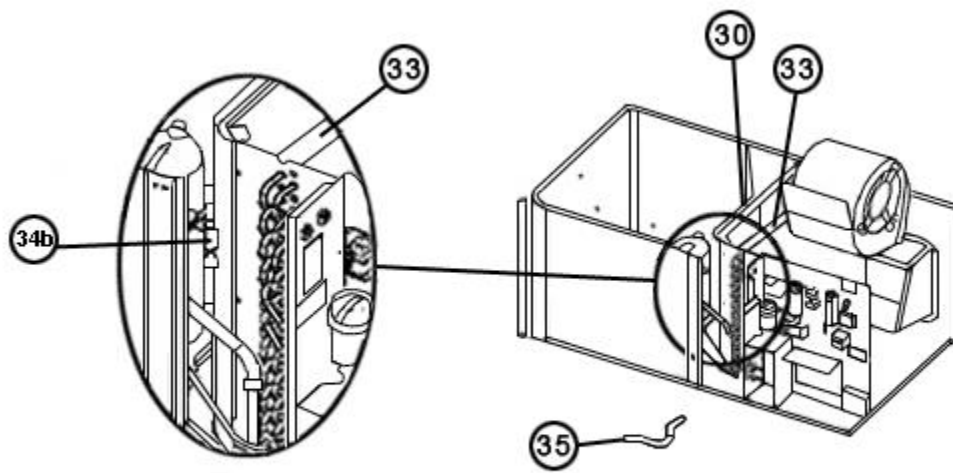
Exploded View



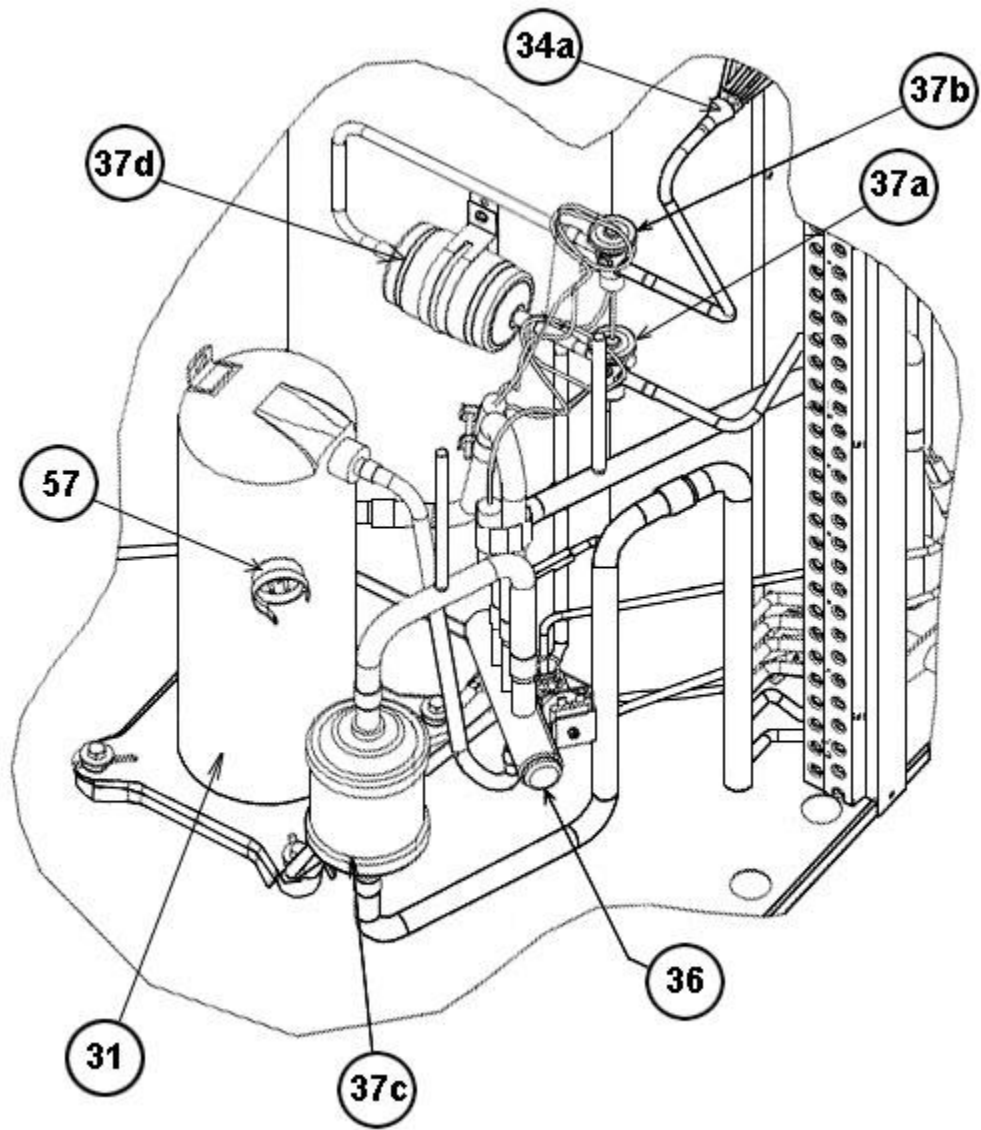
Control Panel



Blower Assembly



Coil Assembly



Compressor and Refrigeration Group

NOTES

Stk It is recommended that stock be maintained for this part.

N/A Not Applicable

- 1 Not available as a separate component.
- 2 The reversing valve specified for 024, 030, 036 models may be different than the one originally supplied with the equipment. The use of the specified valve is recommended for improved shifting performance.

DISCLAIMER: This document is intended to provide general replacement parts information to aid qualified service personnel in the repair of these models. The complete Model and Serial Number of the unit under repair should be specified when selecting and ordering replacement parts. Specifications and illustrations are subject to change without notice. Document 92-42800-RQRM supersedes all previous parts lists for these models. See <http://www.rheempartslists.net/92-42800-RQRM> for the latest revision of this document. The manufacturer assumes no obligation for errors or omissions. Service personnel must verify the proper and safe operation of equipment after the replacement of any original components.