



RP14

Parts List
21-July-2022



*This parts list is current as of the above revision date.
See <http://www.rheempartslists.net/92-42800-RP14.pdf> for the current revision.*

Heat Pumps

Table of Contents

| | |
|-----------------------------------|---------|
| Model Explanation | Page 3 |
| Parts Numbers | |
| Panels (1) | Page 4 |
| Panels (2) | Page 5 |
| Panels (3) | Page 6 |
| Panels (4) | Page 7 |
| Panels (5) | Page 8 |
| Electrical-Fan Group (1) | Page 9 |
| Electrical-Fan Group (2) | Page 10 |
| Electrical-Fan Group (3) | Page 11 |
| Electrical-Fan Group (4) | Page 12 |
| Coil Parts (1) | Page 13 |
| Coil Parts (2) | Page 14 |
| Coil Parts (3) | Page 15 |
| Coil Parts (4) | Page 16 |
| Coil Parts (5) | Page 17 |
| Coil Parts (6) | Page 18 |
| Compressor Group (1) | Page 19 |
| Compressor Group (2) | Page 20 |
| Compressor Group (3) | Page 21 |
| Compressor Group (4) | Page 22 |
| Accessories (1) | Page 23 |
| Accessories (2) | Page 24 |
| Drawings/Photographs | |
| Exploded View | Page 25 |
| Control Box (1) | Page 26 |
| Control Box (2) | Page 26 |
| Valve Mounting, Compressor | Page 27 |
| Distributor-Piston Variants | Page 28 |
| TXV Variants | Page 29 |
| Notes/Disclaimer | Page 30 |

MODEL NUMBER EXPLANATION

| | | | | | | | | | | |
|----------|----------|----------|----------|----------|----------|----------|----------|----------|----------|----------|
| R | P | 1 | 4 | 1 | 8 | A | J | 1 | N | A |
| 1 | 2 | 3 | 4 | 5 | 6 | 7 | 8 | 9 | | |

- | | |
|---|---|
| <p>(1) Brand</p> <p>(2) Product Category P = Heat Pump</p> <p>(3) Seer 14 = 14 SEER</p> <p>(4) COOLING CAPACITY (BTU/HR) 018 = 18,000 024 = 24,000 030 = 30,000 036 = 36,000 042 = 42,000 048 = 48,000 060 = 60,000</p> | <p>(5) MAJOR SERIES A = First Design Series B = Second Design Series C = Third Design Series F = PSC AHU/Furnace Coil Series G = PSC AHU/Furnace Coil Second Design Series</p> <p>(6) VOLTAGE J = 208-230/1/60 C = 208-230/3/60 D = 460/3/60</p> <p>(7) TYPE 1 = Single Stage P = Piston</p> <p>(8) CONTROLS N = Non-Communicating</p> <p>(9) MINOR SERIES A = First Design Series</p> |
|---|---|

SERIAL NUMBER EXPLANATION

| | | | | | | | | |
|----------|----------|----------|----------|----------|----------|----------|----------|----------|
| W | 0 | 8 | 1 | 3 | 9 | 9 | 9 | 9 |
| (1) | (2) | (3) | (4) | | | | | |

- (1) PLANT CODE**
W = West Nuevo Laredo
- (2) WEEK OF PRODUCTION**
- (3) YEAR OF PRODUCTION**
- (4) PRODUCTION NUMBER**

Note: For Compressor Identification Number, see Compressor Code on Rating Plate

| No. | Notes | MODEL COOLING CAPACITY VARIATION | RP14 | RP14 | RP14 | RP14 | | |
|---|-------|--|--------------------------|--------------------------|--------------------------|--------------------------|--|--|
| | | | 36 AC1NA | 42 AC1NA | 48 AC1NA | 60 AC1NA | | |
| SHEET METAL PARTS, MISCELLANEOUS | | | | | | | | |
| 1 | | Front Panel | AE-104456-03 | AE-104456-03 | AE-104456-25 | AE-104456-43 | | |
| 2 | | Left Panel (Badge Panel) | AE-104456-21 | AE-104456-21 | AE-104456-41 | AE-104456-56 | | |
| 3 | | Back Panel | AE-104456-04 | AE-104456-04 | AE-104456-26 | AE-104456-44 | | |
| 4 | | Right Panel | AE-104456-03 | AE-104456-35 | AE-104456-25 | AE-104456-43 | | |
| 5 | | Base Pan | 68-104457-02 | 68-104457-02 | 68-104457-02 | 68-104457-03 | | |
| 6 | | Control Box - Before W1017 | AE-104461-01 | AE-104461-01 | AE-104461-01 | AE-104461-01 | | |
| 6 | | Control Box - On or After W1017 | AE-104461-05 | AE-104461-05 | AE-104461-05 | AE-104461-05 | | |
| 7 | | Control Box Cover | AS-104462-01 H | AS-104462-01 H | AS-104462-01 H | AS-104462-01 H | | |
| 8 | | Control Box Bracket | AS-104460-02 H | AS-104460-02 H | AS-104460-04 H | AS-104460-05 H | | |
| 9 | | Service Door | AS-104525-01 H | AS-104525-01 H | AS-104525-01 H | AS-104525-01 H | | |
| 10 | | Center Post (2) | AS-104459-03 H | AS-104459-03 H | AS-104459-07 H | AS-104459-09 H | | |
| 12 | | Corner Post - Louvered | AS-104469-02 H (3) | AS-104469-02 H (3) | AS-104469-04 H (3) | AS-104469-05 H (5) | | |
| 13 | | Top Panel | AS-104458-02 H | AS-104458-02 H | AS-104458-02 H | AS-104458-03 H | | |
| 14 | | Venturi | 68-104464-04 | 68-104464-04 | 68-104464-04 | 68-104464-05 | | |
| 15 | | Grille | 95-104620-02 | 95-104620-02 | 95-104620-02 | 95-104620-03 | | |
| | | Center Cap - Blank (for Grille) | 91-101123-00 | 91-101123-00 | 91-101123-00 | 91-101123-00 | | |
| | | Service Valve - Suction | See Coil Group | | | | | |
| | | Service Valve - Liquid | See Coil Group | | | | | |
| | | Touch-up Paint - Granite/Steel Gray (Aerosol) | PD523018 | PD523018 | PD523018 | PD523018 | | |
| | | Touch-up Paint - Granite/Steel Gray (Paint Pens) | PD523019 | PD523019 | PD523019 | PD523019 | | |

| No. | Notes | MODEL COOLING CAPACITY VARIATION | RP14 | RP14 | RP14 | RP14 | | |
|---|-------|--|--------------------------|--------------------------|--------------------------|--------------------------|--|--|
| | | | 36 AD1NA | 42 AD1NA | 48 AD1NA | 60 AD1NA | | |
| SHEET METAL PARTS, MISCELLANEOUS | | | | | | | | |
| 1 | | Front Panel | AE-104456-03 | AE-104456-03 | AE-104456-25 | AE-104456-43 | | |
| 2 | | Left Panel (Badge Panel) | AE-104456-21 | AE-104456-21 | AE-104456-41 | AE-104456-56 | | |
| 3 | | Back Panel | AE-104456-04 | AE-104456-04 | AE-104456-26 | AE-104456-44 | | |
| 4 | | Right Panel | AE-104456-03 | AE-104456-03 | AE-104456-25 | AE-104456-43 | | |
| 5 | | Base Pan | 68-104457-02 | 68-104457-02 | 68-104457-02 | 68-104457-03 | | |
| 6 | | Control Box - Before W1017 | AE-104461-01 | AE-104461-01 | AE-104461-01 | AE-104461-01 | | |
| 6 | | Control Box - On or After W1017 | AE-104461-05 | AE-104461-05 | AE-104461-05 | AE-104461-05 | | |
| 7 | | Control Box Cover | AS-104462-01 H | AS-104462-01 H | AS-104462-01 H | AS-104462-01 H | | |
| 8 | | Control Box Bracket | AS-104460-02 H | AS-104460-02 H | AS-104460-04 H | AS-104460-05 H | | |
| 9 | | Service Door | AS-104525-01 H | AS-104525-01 H | AS-104525-01 H | AS-104525-01 H | | |
| 10 | | Center Post (2) | AS-104459-03 H | AS-104459-03 H | AS-104459-07 H | AS-104459-09 H | | |
| 12 | | Corner Post - Louvered | AS-104469-02 H (3) | AS-104469-02 H (3) | AS-104469-04 H (3) | AS-104469-05 H (5) | | |
| 13 | | Top Panel | AS-104458-02 H | AS-104458-02 H | AS-104458-02 H | AS-104458-03 H | | |
| 14 | | Venturi | 68-104464-04 | 68-104464-04 | 68-104464-04 | 68-104464-05 | | |
| 15 | | Grille | 95-104620-02 | 95-104620-02 | 95-104620-02 | 95-104620-03 | | |
| | | Center Cap - Blank (for Grille) | 91-101123-00 | 91-101123-00 | 91-101123-00 | 91-101123-00 | | |
| | | Service Valve - Suction | See Coil Group | | | | | |
| | | Service Valve - Liquid | See Coil Group | | | | | |
| | | Touch-up Paint - Granite/Steel Gray (Aerosol) | PD523018 | PD523018 | PD523018 | PD523018 | | |
| | | Touch-up Paint - Granite/Steel Gray (Paint Pens) | PD523019 | PD523019 | PD523019 | PD523019 | | |

| No. | Notes | MODEL COOLING CAPACITY VARIATION | RP14 | RP14 | RP14 | RP14 | RP14 | RP14 |
|---|-------|--|----------------------|----------------------|----------------------|----------------------|----------------------|----------------------|
| | | | 18 AJ1NA | 24 AJ1NA | 30 AJ1NA | 36 AJ1NA | 42 AJ1NA | 48 AJ1NA |
| SHEET METAL PARTS, MISCELLANEOUS | | | | | | | | |
| 1 | | Front Panel | AE-104456-07 | AE-104456-07 | AE-104456-07 | AE-104456-03 | AE-104456-03 | AE-104456-25 |
| 2 | | Left Panel (Badge Panel) | AE-104456-09 | AE-104456-09 | AE-104456-09 | AE-104456-21 | AE-104456-21 | AE-104456-41 |
| 3 | | Back Panel | AE-104456-08 | AE-104456-08 | AE-104456-08 | AE-104456-04 | AE-104456-04 | AE-104456-26 |
| 4 | | Right Panel | AE-104456-10 | AE-104456-10 | AE-104456-07 | AE-104456-03 | AE-104456-03 | AE-104456-25 |
| 5 | | Base Pan | 68-104457-01 | 68-104457-01 | 68-104457-01 | 68-104457-02 | 68-104457-02 | 68-104457-02 |
| 6 | | Control Box - Before W1017 | AE-104461-01 | AE-104461-01 | AE-104461-01 | AE-104461-01 | AE-104461-01 | AE-104461-01 |
| 6 | | Control Box - On or After W1017 | AE-104461-05 | AE-104461-05 | AE-104461-05 | AE-104461-05 | AE-104461-05 | AE-104461-05 |
| 7 | | Control Box Cover | AS-104462-01H | AS-104462-01H | AS-104462-01H | AS-104462-01H | AS-104462-01H | AS-104462-01H |
| 8 | | Control Box Bracket | AS-104460-01H | AS-104460-01H | AS-104460-01H | AS-104460-02H | AS-104460-02H | AS-104460-04H |
| 9 | | Service Door | AS-104525-01H | AS-104525-01H | AS-104525-01H | AS-104525-01H | AS-104525-01H | AS-104525-01H |
| 10 | | Center Post (2) | AS-104459-01H | AS-104459-01H | AS-104459-01H | AS-104459-03H | AS-104459-03H | AS-104459-07H |
| 12 | | Corner Post - Solid | AS-104469-08H (1) | AS-104469-08H (1) | N/A | N/A | N/A | N/A |
| 12 | | Corner Post - Louvered | AS-104469-01H (2) | AS-104469-01H (2) | AS-104469-01H (3) | AS-104469-02H (3) | AS-104469-02H (3) | AS-104469-04H (3) |
| 13 | | Top Panel | AS-104458-01H | AS-104458-01H | AS-104458-01H | AS-104458-02H | AS-104458-02H | AS-104458-02H |
| 14 | | Venturi | 68-104464-02 | 68-104464-02 | 68-104464-02 | 68-104464-04 | 68-104464-04 | 68-104464-04 |
| 15 | | Grille | 95-104620-01 | 95-104620-01 | 95-104620-01 | 95-104620-02 | 95-104620-02 | 95-104620-02 |
| | | Center Cap - Blank (for Grille) | 91-101123-00 | 91-101123-00 | 91-101123-00 | 91-101123-00 | 91-101123-00 | 91-101123-00 |
| | | Service Valve - Suction | See Coil Group | | | | | |
| | | Service Valve - Liquid | See Coil Group | | | | | |
| | | Touch-up Paint - Granite/Steel Gray (Aerosol) | PD523018 | PD523018 | PD523018 | PD523018 | PD523018 | PD523018 |
| | | Touch-up Paint - Granite/Steel Gray (Paint Pens) | PD523019 | PD523019 | PD523019 | PD523019 | PD523019 | PD523019 |

| No. | Notes | MODEL COOLING CAPACITY VARIATION | RP14 | | RP14 | RP14 | RP14 | RP14 |
|---|-------|--|----------------------|--|----------------------|----------------------|----------------------|----------------------|
| | | | 60 AJ1NA | | 18 AJPNA | 24 AJPNA | 30 AJPNA | 36 AJPNA |
| SHEET METAL PARTS, MISCELLANEOUS | | | | | | | | |
| 1 | | Front Panel | AE-104456-43 | | AE-104456-03 | AE-104456-03 | AE-104456-22 | AE-104456-28 |
| 2 | | Left Panel (Badge Panel) | AE-104456-56 | | AE-104456-21 | AE-104456-21 | AE-104456-24 | AE-104456-42 |
| 3 | | Back Panel | AE-104456-44 | | AE-104456-04 | AE-104456-04 | AE-104456-23 | AE-104456-29 |
| 4 | | Right Panel | AE-104456-43 | | AE-104456-03 | AE-104456-03 | AE-104456-22 | AE-104456-28 |
| 5 | | Base Pan | 68-104457-03 | | 68-104457-02 | 68-104457-02 | 68-104457-02 | 68-104457-02 |
| 6 | | Control Box - Before W1017 | AE-104461-01 | | AE-104461-01 | AE-104461-01 | AE-104461-01 | AE-104461-01 |
| 6 | | Control Box - On or After W1017 | AE-104461-05 | | AE-104461-05 | AE-104461-05 | AE-104461-05 | AE-104461-05 |
| 7 | | Control Box Cover | AS-104462-01H | | AS-104462-01H | AS-104462-01H | AS-104462-01H | AS-104462-01H |
| 8 | | Control Box Bracket | AS-104460-05H | | AS-104460-02H | AS-104460-02H | AS-104460-03H | AS-104460-05H |
| 9 | | Service Door | AS-104525-01H | | AS-104525-01H | AS-104525-01H | AS-104525-01H | AS-104525-01H |
| 10 | | Center Post (2) | AS-104459-09H | | AS-104459-03H | AS-104459-03H | AS-104459-05H | AS-104459-09H |
| 12 | | Corner Post - Louvered | AS-104469-05H (3) | | AS-104469-02H (3) | AS-104469-02H (3) | AS-104469-03H (3) | AS-104469-05H (3) |
| 13 | | Top Panel | AS-104458-03H | | AS-104458-02H | AS-104458-02H | AS-104458-02H | AS-104458-02H |
| 14 | | Venturi | 68-104464-05 | | 68-104464-04 | 68-104464-04 | 68-104464-04 | 68-104464-06 |
| 15 | | Grille | 95-104620-03 | | 95-104620-02 | 95-104620-02 | 95-104620-02 | 95-104620-02 |
| | | Center Cap - Blank (for Grille) | 91-101123-00 | | 91-105471-01 | 91-105471-01 | 91-105471-01 | 91-105471-01 |
| | | Service Valve - Suction | See Coil Group | | | | | |
| | | Service Valve - Liquid | See Coil Group | | | | | |
| | | Touch-up Paint - Granite/Steel Gray (Aerosol) | PD523018 | | PD523018 | PD523018 | PD523018 | PD523018 |
| | | Touch-up Paint - Granite/Steel Gray (Paint Pens) | PD523019 | | PD523019 | PD523019 | PD523019 | PD523019 |

| No. | Notes | MODEL COOLING CAPACITY VARIATION | RP14 42 AJPNA | RP14 48 AJPNA | RP14 60 AJPNA | | RP14 60 BC1NA | RP14 60 BD1NA |
|---|-------|--|----------------------|----------------------|----------------------|--|----------------------|----------------------|
| SHEET METAL PARTS, MISCELLANEOUS | | | | | | | | |
| 1 | | Front Panel | AE-104456-25 | AE-104456-46 | AE-104456-49 | | AE-104456-46 | AE-104456-46 |
| 2 | | Left Panel (Badge Panel) | AE-104456-41 | AE-104456-57 | AE-104456-58 | | AE-104456-57 | AE-104456-57 |
| 3 | | Back Panel | AE-104456-26 | AE-104456-47 | AE-104456-50 | | AE-104456-47 | AE-104456-47 |
| 4 | | Right Panel | AE-104456-25 | AE-104456-46 | AE-104456-49 | | AE-104456-46 | AE-104456-46 |
| 5 | | Base Pan | 68-104457-02 | 68-104457-03 | 68-104457-03 | | 68-104457-03 | 68-104457-03 |
| 6 | | Control Box - Before W1017 | AE-104461-01 | AE-104461-01 | AE-104461-01 | | N/A | N/A |
| 6 | | Control Box - On or After W1017 | AE-104461-05 | AE-104461-05 | AE-104461-05 | | AE-104461-05 | AE-104461-05 |
| 7 | | Control Box Cover | AS-104462-01H | AS-104462-01H | AS-104462-01H | | AS-104462-01H | AS-104462-01H |
| 8 | | Control Box Bracket | AS-104460-04H | AS-104460-06H | AS-104460-11H | | AS-104460-06H | AS-104460-06H |
| 9 | | Service Door | AS-104525-01H | AS-104525-01H | AS-104525-01H | | AS-104525-01H | AS-104525-01H |
| 10 | | Center Post (2) | AS-104459-07H | AS-104459-11H | AS-104459-13H | | AS-104459-11H | AS-104459-11H |
| 12 | | Corner Post - Solid | N/A | N/A | N/A | | N/A | N/A |
| 12 | | Corner Post - Louvered | AS-104469-04H (3) | AS-104469-06H (3) | AS-104469-07H (3) | | AS-104469-06H (3) | AS-104469-06H (3) |
| 13 | | Top Panel | AS-104458-02H | AS-104458-03H | AS-104458-03H | | AS-104458-03H | AS-104458-03H |
| 14 | | Venturi | 68-104464-04 | 68-104464-07 | 68-104464-05 | | 68-104464-05 | 68-104464-05 |
| 15 | | Grille | 95-104620-02 | 95-104620-03 | 95-104620-03 | | 95-104620-03 | 95-104620-03 |
| | | Center Cap - Blank (for Grille) | 91-105471-01 | 91-105471-01 | 91-105471-01 | | 91-105471-01 | 91-105471-01 |
| | | Service Valve - Suction | See Coil Group | | | | | |
| | | Service Valve - Liquid | See Coil Group | | | | | |
| | | Touch-up Paint - Granite/Steel Gray (Aerosol) | PD523018 | PD523018 | PD523018 | | PD523018 | PD523018 |
| | | Touch-up Paint - Granite/Steel Gray (Paint Pens) | PD523019 | PD523019 | PD523019 | | PD523019 | PD523019 |

| No. | Notes | MODEL COOLING CAPACITY VARIATION | RP14 18 BJ1NA | RP14 60 BJ1NA | | RP14 36 BJPNA | |
|---|-------|--|----------------------|----------------------|--|----------------------|--|
| SHEET METAL PARTS, MISCELLANEOUS | | | | | | | |
| 1 | | Front Panel | AE-104456-07 | AE-104456-46 | | AE-104456-28 | |
| 2 | | Left Panel (Badge Panel) | AE-104456-09 | AE-104456-57 | | AE-104456-42 | |
| 3 | | Back Panel | AE-104456-08 | AE-104456-47 | | AE-104456-29 | |
| 4 | | Right Panel | AE-104456-10 | AE-104456-46 | | AE-104456-28 | |
| 5 | | Base Pan | 68-104457-01 | 68-104457-03 | | 68-104457-02 | |
| 6 | | Control Box | AE-104461-05 | AE-104461-05 | | AE-104461-05 | |
| 7 | | Control Box Cover | AS-104462-01H | AS-104462-01H | | AS-104462-01H | |
| 8 | | Control Box Bracket | AS-104460-01H | AS-104460-06H | | AS-104460-05H | |
| 9 | | Service Door | AS-104525-01H | AS-104525-01H | | AS-104525-01H | |
| 10 | | Center Post (2) | AS-104459-01H | AS-104459-11H | | AS-104459-09H | |
| 12 | | Corner Post - Solid | AS-104469-08H (1) | N/A | | N/A | |
| 12 | | Corner Post - Louvered | AS-104469-01H (2) | AS-104469-06H (3) | | AS-104469-05H (3) | |
| 13 | | Top Panel | AS-104458-01H | AS-104458-03H | | AS-104458-02H | |
| 14 | | Venturi | 68-104464-02 | 68-104464-05 | | 68-104464-06 | |
| 15 | | Grille | 95-104620-01 | 95-104620-03 | | 95-104620-02 | |
| | | Center Cap - Blank (for Grille) | 91-105471-01 | 91-105471-01 | | 91-105471-01 | |
| | | Service Valve - Suction | See Coil Group | | | | |
| | | Service Valve - Liquid | See Coil Group | | | | |
| | | Touch-up Paint - Granite/Steel Gray (Aerosol) | PD523018 | PD523018 | | PD523018 | |
| | | Touch-up Paint - Granite/Steel Gray (Paint Pens) | PD523019 | PD523019 | | PD523019 | |

| No. | Notes | MODEL COOLING CAPACITY VARIATION | RP14 42 CC1NA | | RP14 42 CD1NA | | RP14 18 CJ1NA | RP14 42 CJ1NA |
|---|-------|--|----------------------|--|----------------------|--|----------------------|----------------------|
| SHEET METAL PARTS, MISCELLANEOUS | | | | | | | | |
| 1 | | Front Panel | AE-104456-25 | | AE-104456-25 | | AE-104456-07 | AE-104456-25 |
| 2 | | Left Panel (Badge Panel) | AE-104456-41 | | AE-104456-41 | | AE-104456-09 | AE-104456-41 |
| 3 | | Back Panel | AE-104456-26 | | AE-104456-26 | | AE-104456-08 | AE-104456-26 |
| 4 | | Right Panel | AE-104456-25 | | AE-104456-25 | | AE-104456-07 | AE-104456-25 |
| 5 | | Base Pan | 68-104457-02 | | 68-104457-02 | | 68-104457-01 | 68-104457-02 |
| 6 | | Control Box | AE-104461-05 | | AE-104461-05 | | AE-104461-05 | AE-104461-05 |
| 7 | | Control Box Cover | AS-104462-01H | | AS-104462-01H | | AS-104462-01H | AS-104462-01H |
| 8 | | Control Box Bracket | AS-104460-04H | | AS-104460-04H | | AS-104460-01H | AS-104460-04H |
| 9 | | Service Door | AS-104525-01H | | AS-104525-01H | | AS-104525-01H | AS-104525-01H |
| 10 | | Center Post (2) | AS-104459-07H | | AS-104459-07H | | AS-104459-01H | AS-104459-07H |
| 12 | | Corner Post - Louvered | AS-104469-04H (3) | | AS-104469-04H (3) | | AS-104469-01H (3) | AS-104469-04H (3) |
| 13 | | Top Panel | AS-104458-02H | | AS-104458-02H | | AS-104458-01H | AS-104458-02H |
| 14 | | Venturi | 68-104464-04 | | 68-104464-04 | | 68-104464-02 | 68-104464-04 |
| 15 | | Grille | 95-104620-02 | | 95-104620-02 | | 95-104620-01 | 95-104620-02 |
| | | Center Cap - Blank (for Grille) | 91-105471-01 | | 91-105471-01 | | 91-105471-01 | 91-105471-01 |
| | | Service Valve - Suction | See Coil Group | | | | | |
| | | Service Valve - Liquid | See Coil Group | | | | | |
| | | Touch-up Paint - Granite/Steel Gray (Aerosol) | PD523018 | | PD523018 | | PD523018 | PD523018 |
| | | Touch-up Paint - Granite/Steel Gray (Paint Pens) | PD523019 | | PD523019 | | PD523019 | PD523019 |

| No. | Notes | MODEL COOLING CAPACITY VARIATION | RP14 36 FC1NA | RP14 42 FC1NA | RP14 48 FC1NA | RP14 60 FC1NA | | RP14 18 FJ1NA |
|---|-------|--|----------------------|----------------------|----------------------|----------------------|--|----------------------|
| SHEET METAL PARTS, MISCELLANEOUS | | | | | | | | |
| 1 | | Front Panel | AE-104456-25 | AE-104456-25 | AE-104456-43 | AE-104456-46 | | AE-104456-07 |
| 2 | | Left Panel (Badge Panel) | AE-104456-41 | AE-104456-41 | AE-104456-56 | AE-104456-57 | | AE-104456-09 |
| 3 | | Back Panel | AE-104456-26 | AE-104456-26 | AE-104456-44 | AE-104456-47 | | AE-104456-08 |
| 4 | | Right Panel | AE-104456-25 | AE-104456-25 | AE-104456-43 | AE-104456-46 | | AE-104456-10 |
| 5 | | Base Pan | 68-104457-02 | 68-104457-02 | 68-104457-03 | 68-104457-03 | | 68-104457-01 |
| 6 | | Control Box - Before W1017 | AE-104461-01 | AE-104461-01 | AE-104461-01 | AE-104461-01 | | AE-104461-01 |
| 6 | | Control Box - On or After W1017 | AE-104461-05 | AE-104461-05 | AE-104461-05 | AE-104461-05 | | AE-104461-05 |
| 7 | | Control Box Cover | AS-104462-01H | AS-104462-01H | AS-104462-01H | AS-104462-01H | | AS-104462-01H |
| 8 | | Control Box Bracket | AS-104460-04H | AS-104460-04H | AS-104460-05H | AS-104460-06H | | AS-104460-01H |
| 9 | | Service Door | AS-104525-01H | AS-104525-01H | AS-104525-01H | AS-104525-01H | | AS-104525-01H |
| 10 | | Center Post (2) | AS-104459-07H | AS-104459-07H | AS-104459-09H | AS-104459-11H | | AS-104459-01H |
| 12 | | Corner Post - Solid | N/A | N/A | N/A | N/A | | AS-104469-08H (1) |
| 12 | | Corner Post - Louvered | AS-104469-04H (3) | AS-104469-04H (3) | AS-104469-05H (3) | AS-104469-06H (3) | | AS-104469-01H (2) |
| 13 | | Top Panel | AS-104458-02H | AS-104458-02H | AS-104458-03H | AS-104458-03H | | AS-104458-01H |
| 14 | | Venturi | 68-104464-06 | 68-104464-04 | 68-104464-07 | 68-104464-05 | | 68-104464-02 |
| 15 | | Grille | 95-104620-02 | 95-104620-02 | 95-104620-03 | 95-104620-03 | | 95-104620-01 |
| | | Center Cap - Blank (for Grille) | 91-105471-01 | 91-105471-01 | 91-105471-01 | 91-105471-01 | | 91-105471-01 |
| | | Service Valve - Suction | See Coil Group | | | | | |
| | | Service Valve - Liquid | See Coil Group | | | | | |
| | | Touch-up Paint - Granite/Steel Gray (Aerosol) | PD523018 | PD523018 | PD523018 | PD523018 | | PD523018 |
| | | Touch-up Paint - Granite/Steel Gray (Paint Pens) | PD523019 | PD523019 | PD523019 | PD523019 | | PD523019 |

| No. | Notes | MODEL COOLING CAPACITY VARIATION | RP14 24 FJ1NA | RP14 30 FJ1NA | RP14 36 FJ1NA | RP14 42 FJ1NA | RP14 48 FJ1NA | RP14 60 FJ1NA | |
|---|-------|--|----------------------|----------------------|----------------------|----------------------|----------------------|----------------------|--|
| SHEET METAL PARTS, MISCELLANEOUS | | | | | | | | | |
| 1 | | Front Panel | AE-104456-07 | AE-104456-22 | AE-104456-25 | AE-104456-25 | AE-104456-43 | AE-104456-46 | |
| 2 | | Left Panel (Badge Panel) | AE-104456-09 | AE-104456-24 | AE-104456-41 | AE-104456-41 | AE-104456-56 | AE-104456-57 | |
| 3 | | Back Panel | AE-104456-08 | AE-104456-23 | AE-104456-26 | AE-104456-26 | AE-104456-44 | AE-104456-47 | |
| 4 | | Right Panel | AE-104456-07 | AE-104456-22 | AE-104456-25 | AE-104456-25 | AE-104456-43 | AE-104456-46 | |
| 5 | | Base Pan | 68-104457-01 | 68-104457-02 | 68-104457-02 | 68-104457-02 | 68-104457-03 | 68-104457-03 | |
| 6 | | Control Box - Before W1017 | AE-104461-01 | AE-104461-01 | AE-104461-01 | AE-104461-01 | AE-104461-01 | AE-104461-01 | |
| 6 | | Control Box - On or After W1017 | AE-104461-05 | AE-104461-05 | AE-104461-05 | AE-104461-05 | AE-104461-05 | AE-104461-05 | |
| 7 | | Control Box Cover | AS-104462-01H | AS-104462-01H | AS-104462-01H | AS-104462-01H | AS-104462-01H | AS-104462-01H | |
| 8 | | Control Box Bracket | AS-104460-01H | AS-104460-03H | AS-104460-04H | AS-104460-04H | AS-104460-05H | AS-104460-06H | |
| 9 | | Service Door | AS-104525-01H | AS-104525-01H | AS-104525-01H | AS-104525-01H | AS-104525-01H | AS-104525-01H | |
| 10 | | Center Post (2) | AS-104459-01H | AS-104459-05H | AS-104459-07H | AS-104459-07H | AS-104459-09H | AS-104459-11H | |
| 12 | | Corner Post - Louvered | AS-104469-01H (3) | AS-104469-03H (3) | AS-104469-04H (3) | AS-104469-04H (3) | AS-104469-05H (3) | AS-104469-06H (3) | |
| 13 | | Top Panel | AS-104458-01H | AS-104458-02H | AS-104458-02H | AS-104458-02H | AS-104458-03H | AS-104458-03H | |
| 14 | | Venturi | 68-104464-02 | 68-104464-04 | 68-104464-06 | 68-104464-04 | 68-104464-07 | 68-104464-05 | |
| 15 | | Grille | 95-104620-01 | 95-104620-02 | 95-104620-02 | 95-104620-02 | 95-104620-03 | 95-104620-03 | |
| | | Center Cap - Blank (for Grille) | 91-105471-01 | 91-105471-01 | 91-105471-01 | 91-105471-01 | 91-105471-01 | 91-105471-01 | |
| | | Service Valve - Suction | See Coil Group | | | | | | |
| | | Service Valve - Liquid | See Coil Group | | | | | | |
| | | Touch-up Paint - Granite/Steel Gray (Aerosol) | PD523018 | PD523018 | PD523018 | PD523018 | PD523018 | PD523018 | |
| | | Touch-up Paint - Granite/Steel Gray (Paint Pens) | PD523019 | PD523019 | PD523019 | PD523019 | PD523019 | PD523019 | |

| No. | Notes | MODEL COOLING CAPACITY VARIATION | RP14 42 GC1NA | RP14 18 GJ1NA | RP14 42 GJ1NA | | | |
|---|-------|--|----------------------|---------------------|----------------------|----------------------|--|--|
| SHEET METAL PARTS, MISCELLANEOUS | | | | | | | | |
| 1 | | Front Panel | AE-104456-43 | | AE-104456-07 | AE-104456-43 | | |
| 2 | | Left Panel (Badge Panel) | AE-104456-56 | | AE-104456-09 | AE-104456-56 | | |
| 3 | | Back Panel | AE-104456-44 | | AE-104456-08 | AE-104456-44 | | |
| 4 | | Right Panel | AE-104456-43 | | AE-104456-07 | AE-104456-43 | | |
| 5 | | Base Pan | 68-104457-03 | | 68-104457-01 | 68-104457-03 | | |
| 6 | | Control Box | AE-104461-05 | | AE-104461-05 | AE-104461-05 | | |
| 7 | | Control Box Cover | AS-104462-01H | | AS-104462-01H | AS-104462-01H | | |
| 8 | | Control Box Bracket | AS-104460-05H | | AS-104460-01H | AS-104460-05H | | |
| 9 | | Service Door | AS-104525-01H | | AS-104525-01H | AS-104525-01H | | |
| 10 | | Center Post (2) | AS-104459-09H | | AS-104459-01H | AS-104459-09H | | |
| 12 | | Corner Post - Louvered | AS-104469-05H (3) | | AS-104469-01H (3) | AS-104469-05H (3) | | |
| 13 | | Top Panel | AS-104458-03H | | AS-104458-01H | AS-104458-03H | | |
| 14 | | Venturi | 68-104464-07 | | 68-104464-02 | 68-104464-07 | | |
| 15 | 2 | Grille | 95-104620-04 | | 95-104620-01 | 95-104620-04 | | |
| | | Center Cap - Blank (for Grille) | 91-105471-02 | | 91-105471-01 | 91-105471-02 | | |
| | | Service Valve - Suction | See Coil Group | | | | | |
| | | Service Valve - Liquid | See Coil Group | | | | | |
| | | Touch-up Paint - Granite/Steel Gray (Aerosol) | PD523018 | | PD523018 | PD523018 | | |
| | | Touch-up Paint - Granite/Steel Gray (Paint Pens) | PD523019 | | PD523019 | PD523019 | | |

| No. | Notes | MODEL COOLING CAPACITY VARIATION | RP14 | RP14 | RP14 | RP14 | | |
|-----------------------------|-------|--|-----------------------|--------------|--------------|--------------|--|--|
| | | | 36 AC1NA | 42 AC1NA | 48 AC1NA | 60 AC1NA | | |
| ELECTRICAL/FAN GROUP | | | | | | | | |
| 20 | Stk | Fan Motor - Before W1017 | 51-101774-02 | 51-101774-31 | 51-102008-08 | 51-101774-12 | | |
| 20 | Stk | Fan Motor - On or after W1017 | 51-101774-52 | 51-101774-31 | 51-102008-34 | 51-101774-12 | | |
| 21 | Stk | Fan Blade | 70-102011-12 | 70-102011-09 | 70-101323-30 | 70-101323-29 | | |
| 22 | Stk | Contactactor | 42-102664-14 | 42-102664-14 | 42-102664-14 | 42-102664-14 | | |
| 23 | | Capacitor | See Compressor Group | | | | | |
| 23a | | Capacitor Strap | AE-104562-01 | AE-104562-01 | AE-104562-01 | AE-104562-01 | | |
| 24 | Stk | Defrost Control Board | 47-102685-07 | 47-102685-07 | 47-102685-07 | 47-102685-07 | | |
| 25 | | Crankcase Heater | See Compressor Group | | | | | |
| 26 | | Grounding Lug | 45-19000-01 | 45-19000-01 | 45-19000-01 | 45-19000-01 | | |
| | | Low Ambient Control | See Accessories Group | | | | | |
| | | Low Ambient Sensor | 47-102709-01 | 47-102709-01 | 47-102709-01 | 47-102709-01 | | |
| 27 | Stk | Low Pressure Control | 47-103670-05 | 47-103670-05 | 47-103670-05 | 47-103670-05 | | |
| 27a | | Service Port - Low Pressure Control | 61-18542-01 | 61-18542-01 | 61-18542-01 | 61-18542-01 | | |
| 28 | Stk | High Pressure Control | 47-103669-01 | 47-103669-01 | 47-103669-01 | 47-103669-01 | | |

| No. | Notes | MODEL COOLING CAPACITY VARIATION | RP14 | RP14 | RP14 | RP14 | | |
|-----------------------------|-------|---|-----------------------|--------------|--------------|--------------|--|--|
| | | | 36 AD1NA | 42 AD1NA | 48 AD1NA | 60 AD1NA | | |
| ELECTRICAL/FAN GROUP | | | | | | | | |
| 20 | Stk | Fan Motor (Three-phase) - See Note 1 | 51-102008-24 | 51-102008-32 | N/A | N/A | | |
| 20 | Stk | Fan Motor (Single-phase) - See Note 1 | 51-101774-06 | 51-101774-37 | 51-101774-38 | 51-101774-34 | | |
| 21 | Stk | Fan (Three-phase Motor) - See Note 1 | 70-102011-12 | 70-102011-09 | N/A | N/A | | |
| 21 | Stk | Fan (Single-phase Motor) - See Note 1 | 70-102011-09 | 70-102011-09 | 70-101323-30 | 70-101323-29 | | |
| 22 | Stk | Contactactor | 42-102664-14 | 42-102664-14 | 42-102664-14 | 42-102664-14 | | |
| 23 | | Capacitor (Single-phase motor) - See Note 1 | 43-101666-65 | 43-101666-65 | 43-101666-65 | 43-101666-65 | | |
| 23a | | Capacitor Strap | AE-104562-01 | AE-104562-01 | AE-104562-01 | AE-104562-01 | | |
| 24 | Stk | Defrost Control Board | 47-102685-07 | 47-102685-07 | 47-102685-07 | 47-102685-07 | | |
| 24a | | Relay | 42-19737-01 | 42-19737-01 | 42-19737-01 | 42-19737-01 | | |
| 25 | | Crankcase Heater | See Compressor Group | | | | | |
| 26 | | Grounding Lug | 45-19000-01 | 45-19000-01 | 45-19000-01 | 45-19000-01 | | |
| | | Low Ambient Control | See Accessories Group | | | | | |
| | | Low Ambient Sensor | 47-102709-01 | 47-102709-01 | 47-102709-01 | 47-102709-01 | | |
| 27 | Stk | Low Pressure Control | 47-103670-05 | 47-103670-05 | 47-103670-05 | 47-103670-05 | | |
| 27a | | Service Port - Low Pressure Control | 61-18542-01 | 61-18542-01 | 61-18542-01 | 61-18542-01 | | |
| 28 | Stk | High Pressure Control | 47-103669-01 | 47-103669-01 | 47-103669-01 | 47-103669-01 | | |

| No. | Notes | MODEL COOLING CAPACITY VARIATION | RP14 | RP14 | RP14 | RP14 | RP14 | RP14 | |
|-----------------------------|-------|--|-----------------------|--------------|--------------|--------------|--------------|--------------|--|
| | | | 18 AJ1NA | 24 AJ1NA | 30 AJ1NA | 36 AJ1NA | 42 AJ1NA | 48 AJ1NA | |
| ELECTRICAL/FAN GROUP | | | | | | | | | |
| 20 | Stk | Fan Motor - Before W1017 | 51-101774-23 | 51-101774-23 | 51-101774-23 | 51-101774-02 | 51-101774-31 | 51-102008-07 | |
| 20 | Stk | Fan Motor - On or after W1017 | 51-101774-23 | 51-101774-23 | 51-101774-23 | 51-101774-52 | 51-101774-31 | 51-101774-51 | |
| 21 | Stk | Fan Blade | 70-101323-26 | 70-101323-26 | 70-101323-32 | 70-102011-12 | 70-102011-12 | 70-101323-30 | |
| 22 | Stk | Contactactor | 42-102664-05 | 42-102664-05 | 42-102664-05 | 42-102664-05 | 42-102664-05 | 42-102664-10 | |
| 23 | | Capacitor | See Compressor Group | | | | | | |
| | | Start Capacitor | See Compressor Group | | | | | | |
| | | Start Relay | See Compressor Group | | | | | | |
| 23a | | Capacitor Strap | AE-104562-01 | AE-104562-01 | AE-104562-01 | AE-104562-01 | AE-104562-01 | AE-104562-01 | |
| 24 | Stk | Defrost Control Board | 47-102685-07 | 47-102685-07 | 47-102685-07 | 47-102685-07 | 47-102685-07 | 47-102685-07 | |
| 25 | | Crankcase Heater | See Compressor Group | | | | | | |
| 26 | | Grounding Lug | 45-19000-01 | 45-19000-01 | 45-19000-01 | 45-19000-01 | 45-19000-01 | 45-19000-01 | |
| | | Low Ambient Control | See Accessories Group | | | | | | |
| | | Low Ambient Sensor | 47-102709-01 | 47-102709-01 | 47-102709-01 | 47-102709-01 | 47-102709-01 | 47-102709-01 | |
| 27 | Stk | Low Pressure Control | 47-103670-05 | 47-103670-05 | 47-103670-05 | 47-103670-05 | 47-103670-05 | 47-103670-05 | |
| 27a | | Service Port - Low Pressure Control | 61-18542-01 | 61-18542-01 | 61-18542-01 | 61-18542-01 | 61-18542-01 | 61-18542-01 | |
| 28 | Stk | High Pressure Control | 47-103669-01 | 47-103669-01 | 47-103669-01 | 47-103669-01 | 47-103669-01 | 47-103669-01 | |

| No. | Notes | MODEL COOLING CAPACITY VARIATION | RP14 60 AJ1NA | | RP14 18 AJPNA | RP14 24 AJPNA | RP14 30 AJPNA | RP14 36 AJPNA |
|-----------------------------|-------|--|---------------------|--|-----------------------|---------------------|---------------------|---------------------|
| ELECTRICAL/FAN GROUP | | | | | | | | |
| 20 | Stk | Fan Motor - Before W1017 | 51-101774-12 | | 51-101774-02 | 51-101774-02 | 51-101774-32 | 51-102728-19 |
| 20 | Stk | Fan Motor - On or after W1017 | 51-101774-12 | | 51-101774-52 | 51-101774-52 | 51-101774-32 | 51-102728-19 |
| 21 | Stk | Fan Blade | 70-101323-29 | | 70-102011-12 | 70-102011-12 | 70-101323-35 | 70-101323-30 |
| 22 | Stk | Contactactor | 42-102664-10 | | 42-104521-05 | 42-104521-05 | 42-104521-05 | 42-104521-05 |
| 23 | | Capacitor | | | See Compressor Group | | | |
| | | Start Capacitor | | | See Compressor Group | | | |
| | | Start Relay | | | See Compressor Group | | | |
| 23a | | Capacitor Strap | AE-104562-01 | | AE-104562-01 | AE-104562-01 | AE-104562-01 | AE-104562-01 |
| 24 | Stk | Defrost Control Board | 47-102685-07 | | 47-102685-07 | 47-102685-07 | 47-102685-07 | 47-102685-07 |
| 25 | | Crankcase Heater | | | See Compressor Group | | | |
| 26 | | Grounding Lug | 45-19000-01 | | 45-19000-01 | 45-19000-01 | 45-19000-01 | 45-19000-01 |
| | | Low Ambient Control | | | See Accessories Group | | | |
| | | Low Ambient Sensor | 47-102709-01 | | 47-102709-01 | 47-102709-01 | 47-102709-01 | 47-102709-01 |
| 27 | Stk | Low Pressure Control | 47-103670-05 | | 47-103670-05 | 47-103670-05 | 47-103670-05 | 47-103670-05 |
| 27a | | Service Port - Low Pressure Control | 61-18542-01 | | 61-18542-01 | 61-18542-01 | 61-18542-01 | 61-18542-01 |
| 28 | Stk | High Pressure Control | 47-103669-01 | | 47-103669-01 | 47-103669-01 | 47-103669-01 | 47-103669-01 |

| No. | Notes | MODEL COOLING CAPACITY VARIATION | RP14 42 AJPNA | RP14 48 AJPNA | RP14 60 AJPNA | | RP14 60 BC1NA | RP14 60 BD1NA |
|-----------------------------|-------|--|---------------------|---------------------|-----------------------|--|---------------------|---------------------|
| ELECTRICAL/FAN GROUP | | | | | | | | |
| 20 | Stk | Fan Motor - Before W1017 | 51-101774-32 | 51-102728-13 | 51-102008-07 | | 51-102008-07 | N/A |
| 20 | Stk | Fan Motor - On or after W1017 | 51-101774-32 | 51-102728-24 | 51-102008-07 | | 51-102008-07 | 51-101774-48 |
| 21 | Stk | Fan Blade | 70-101323-34 | 70-101323-29 | 70-101323-29 | | 70-101323-29 | 70-101323-29 |
| 22 | Stk | Contactactor | 42-104521-05 | 42-104521-10 | 42-104521-10 | | 42-104521-14 | 42-102664-28 |
| 23 | | Capacitor | | | See Compressor Group | | | |
| 23a | | Capacitor Strap | AE-104562-01 | AE-104562-01 | AE-104562-01 | | AE-104562-01 | AE-104562-01 |
| 24 | Stk | Defrost Control Board | 47-102685-07 | 47-102685-07 | 47-102685-07 | | 47-102685-07 | 47-102684-14 |
| 25 | | Crankcase Heater | | | See Compressor Group | | | |
| 26 | | Grounding Lug | 45-19000-01 | 45-19000-01 | 45-19000-01 | | 45-19000-01 | 45-19000-01 |
| | | Wiring Harness - Outdoor Fan | N/A | N/A | N/A | | N/A | 45-106065-03 |
| | | Low Ambient Control | | | See Accessories Group | | | |
| | | Low Ambient Sensor | 47-102709-01 | 47-102709-01 | 47-102709-01 | | 47-102709-04 | 47-102709-04 |
| 27 | Stk | Low Pressure Control | 47-103670-05 | 47-103670-10 | 47-103670-10 | | 47-103670-10 | 47-103670-10 |
| 27a | | Service Port - Low Pressure Control | 61-18542-01 | 61-18542-01 | 61-18542-01 | | 61-18542-01 | 61-18542-01 |
| 28 | Stk | High Pressure Control | 47-103669-01 | 47-103670-10 | 47-103670-10 | | 47-103669-01 | 47-103669-01 |

| No. | Notes | MODEL COOLING CAPACITY VARIATION | RP14 18 BJ1NA | RP14 60 BJ1NA | | RP14 36 BJPNA | | |
|-----------------------------|-------|--|---------------------|---------------------|-----------------------|---------------------|--|--|
| ELECTRICAL/FAN GROUP | | | | | | | | |
| 20 | Stk | Fan Motor | 51-102008-18 | 51-101774-51 | | 51-102728-19 | | |
| 21 | Stk | Fan Blade | 70-101323-26 | 70-101323-29 | | 70-102011-12 | | |
| 22 | Stk | Contactactor | 42-102664-05 | 42-102664-10 | | 42-102664-05 | | |
| 23 | | Capacitor | | | See Compressor Group | | | |
| 23a | | Capacitor Strap | AE-104562-01 | AE-104562-01 | | AE-104562-01 | | |
| 24 | Stk | Defrost Control Board | 47-102685-07 | 47-102685-07 | | 47-102684-14 | | |
| 25 | | Crankcase Heater | | | See Compressor Group | | | |
| 26 | | Grounding Lug | 45-19000-01 | 45-19000-01 | | 45-19000-01 | | |
| | | Low Ambient Control | | | See Accessories Group | | | |
| | | Low Ambient Sensor | 47-102709-01 | 47-102709-04 | | 47-102709-04 | | |
| 27 | Stk | Low Pressure Control | 47-103670-05 | 47-103670-10 | | 47-103670-05 | | |
| 27a | | Service Port - Low Pressure Control | 61-18542-01 | 61-18542-01 | | 61-18542-01 | | |
| 28 | Stk | High Pressure Control | 47-103669-01 | 47-103669-01 | | 47-103669-01 | | |

| No. | Notes | MODEL COOLING CAPACITY VARIATION | RP14 42 CC1NA | | RP14 42 CD1NA | | RP14 18 CJ1NA | RP14 42 CJ1NA |
|-----------------------------|-------|--|-----------------------|--|---------------------|--|---------------------|---------------------|
| ELECTRICAL/FAN GROUP | | | | | | | | |
| 20 | Stk | Fan Motor | 51-101774-32 | | 51-101774-37 | | 51-104691-06 | 51-101774-32 |
| 21 | Stk | Fan Blade | 70-102011-25 | | 70-102011-25 | | 70-101323-33 | 70-102011-25 |
| 22 | Stk | Contactora | 42-104521-14 | | 42-104521-14 | | 42-102664-05 | 42-102664-05 |
| 23 | | Capacitor | See Compressor Group | | | | | |
| 23a | | Capacitor Strap | AE-104562-01 | | AE-104562-01 | | AE-104562-01 | AE-104562-01 |
| 24 | Stk | Defrost Control Board | 47-102685-07 | | 47-102684-14 | | 47-102685-07 | 47-102685-07 |
| 24a | | Relay | N/A | | 42-19736-02 | | N/A | N/A |
| 25 | | Crankcase Heater | See Compressor Group | | | | | |
| 26 | | Grounding Lug | 45-19000-01 | | 45-19000-01 | | 45-19000-01 | 45-19000-01 |
| | | Low Ambient Control | See Accessories Group | | | | | |
| | | Low Ambient Sensor | 47-102709-04 | | 47-102709-04 | | 47-102709-04 | 47-102709-04 |
| 27 | Stk | Low Pressure Control | 47-103670-05 | | 47-103670-05 | | 47-103670-05 | 47-103670-05 |
| 27a | | Service Port - Low Pressure Control | 61-18542-01 | | 61-18542-01 | | 61-18542-01 | 61-18542-01 |
| 28 | Stk | High Pressure Control | 47-103669-01 | | 47-103669-01 | | 47-103669-01 | 47-103669-01 |

| No. | Notes | MODEL COOLING CAPACITY VARIATION | RP14 36 FC1NA | RP14 42 FC1NA | RP14 48 FC1NA | RP14 60 FC1NA | | RP14 18 FJ1NA |
|-----------------------------|-------|--|-----------------------|---------------------|---------------------|---------------------|--|---------------------|
| ELECTRICAL/FAN GROUP | | | | | | | | |
| 20 | Stk | Fan Motor - Before W1017 | 51-102728-11 | 51-101774-31 | 51-102728-13 | 51-102008-07 | | 51-102008-18 |
| 20 | Stk | Fan Motor - On or after W1017 | 51-102728-23 | 51-101774-31 | 51-102728-24 | 51-102008-07 | | 51-102008-18 |
| 21 | Stk | Fan Blade | 70-101323-41 | 70-101323-34 | 70-101323-29 | 70-101323-34 | | 70-101323-26 |
| 22 | Stk | Contactora | 42-102664-14 | 42-102664-14 | 42-102664-14 | 42-102664-14 | | 42-102664-05 |
| 23 | | Capacitor | See Compressor Group | | | | | |
| 23a | | Capacitor Strap | AE-104562-01 | AE-104562-01 | AE-104562-01 | AE-104562-01 | | AE-104562-01 |
| 24 | Stk | Defrost Control Board | 47-102685-07 | 47-102685-07 | 47-102685-07 | 47-102685-07 | | 47-102685-07 |
| 25 | | Crankcase Heater | See Compressor Group | | | | | |
| 26 | | Grounding Lug | 45-19000-01 | 45-19000-01 | 45-19000-01 | 45-19000-01 | | 45-19000-01 |
| | | Low Ambient Control | See Accessories Group | | | | | |
| | | Low Ambient Sensor | 47-102709-01 | 47-102709-01 | 47-102709-01 | 47-102709-01 | | 47-102709-01 |
| 27 | Stk | Low Pressure Control | 47-103670-05 | 47-103670-05 | 47-103670-05 | 47-103670-10 | | 47-103670-05 |
| 27a | | Service Port - Low Pressure Control | 61-18542-01 | 61-18542-01 | 61-18542-01 | 61-18542-01 | | 61-18542-01 |
| 28 | Stk | High Pressure Control | 47-103669-01 | 47-103669-01 | 47-103669-01 | 47-103669-01 | | 47-103669-01 |

| No. | Notes | MODEL COOLING CAPACITY VARIATION | RP14 24 FJ1NA | RP14 30 FJ1NA | RP14 36 FJ1NA | RP14 42 FJ1NA | RP14 48 FJ1NA | RP14 60 FJ1NA |
|-----------------------------|-------|--|-----------------------|---------------------|---------------------|---------------------|---------------------|---------------------|
| ELECTRICAL/FAN GROUP | | | | | | | | |
| 20 | Stk | Fan Motor - Before W1017 | 51-102008-17 | 51-101774-32 | 51-102728-11 | 51-101774-32 | 51-102728-13 | 51-102008-07 |
| 20 | Stk | Fan Motor - On or after W1017 | 51-102008-17 | 51-101774-32 | 51-102728-23 | 51-101774-32 | 51-102728-24 | 51-101774-31 |
| 21 | Stk | Fan Blade | 70-101323-33 | 70-101323-35 | 70-101323-41 | 70-101323-34 | 70-101323-29 | 70-101323-34 |
| 22 | Stk | Contactora | 42-102664-05 | 42-102664-05 | 42-102664-05 | 42-102664-05 | 42-102664-10 | 42-102664-10 |
| 23 | | Capacitor | See Compressor Group | | | | | |
| | | Start Capacitor | See Compressor Group | | | | | |
| | | Start Relay | See Compressor Group | | | | | |
| 23a | | Capacitor Strap | AE-104562-01 | AE-104562-01 | AE-104562-01 | AE-104562-01 | AE-104562-01 | AE-104562-01 |
| 24 | Stk | Defrost Control Board | 47-102685-07 | 47-102685-07 | 47-102685-07 | 47-102685-07 | 47-102685-07 | 47-102685-07 |
| 25 | | Crankcase Heater | See Compressor Group | | | | | |
| 26 | | Grounding Lug | 45-19000-01 | 45-19000-01 | 45-19000-01 | 45-19000-01 | 45-19000-01 | 45-19000-01 |
| | | Low Ambient Control | See Accessories Group | | | | | |
| | | Low Ambient Sensor | 47-102709-01 | 47-102709-01 | 47-102709-01 | 47-102709-01 | 47-102709-01 | 47-102709-01 |
| 27 | Stk | Low Pressure Control | 47-103670-05 | 47-103670-05 | 47-103670-05 | 47-103670-05 | 47-103670-05 | 47-103670-10 |
| 27a | | Service Port - Low Pressure Control | 61-18542-01 | 61-18542-01 | 61-18542-01 | 61-18542-01 | 61-18542-01 | 61-18542-01 |
| 28 | Stk | High Pressure Control | 47-103669-01 | 47-103669-01 | 47-103669-01 | 47-103669-01 | 47-103669-01 | 47-103669-01 |

| No. | Notes | MODEL COOLING CAPACITY VARIATION | RP14 42 GC1NA | | RP14 18 GJ1NA | RP14 42 GJ1NA | | |
|-----------------------------|-------|--|---------------------|--|-----------------------|------------------------------|--|--|
| ELECTRICAL/FAN GROUP | | | | | | | | |
| 20 | Stk | Fan Motor | 51-102728-28 | | 51-104691-06 | 51-102728-28 | | |
| 21 | Stk | Fan Blade | 70-102345-15 | | 70-101323-33 | 70-102345-15 | | |
| 22 | Stk | Contactore | 42-102664-28 | | 42-102664-05 | 42-102664-10 | | |
| 23 | | Capacitor | | | See Compressor Group | | | |
| | | Start Capacitor | | | See Compressor Group | | | |
| | | Start Relay | | | See Compressor Group | | | |
| 23a | | Capacitor Strap | N/A | | AE-104562-01 | AE-104562-01 | | |
| 24 | Stk | Defrost Control Board | 47-102684-14 | | 47-102685-07 | 47-102684-14 | | |
| 25 | | Crankcase Heater | | | See Compressor Group | | | |
| 26 | | Grounding Lug | 45-19000-01 | | 45-19000-01 | 45-19000-01 | | |
| | | Low Ambient Control | | | See Accessories Group | | | |
| | | Low Ambient Sensor | 47-102709-04 | | 47-102709-04 | 47-102709-04 | | |
| 27 | Stk | Low Pressure Control | 47-103670-05 | | 47-103670-05 | 47-103670-05 | | |
| 27a | | Service Port - Low Pressure Control | 61-18542-01 | | 61-18542-01 | 61-18542-01 | | |
| 28 | Stk | High Pressure Control | 47-103669-01 | | 47-103669-01 | 47-103669-01 | | |

| No. | Notes | MODEL COOLING CAPACITY VARIATION | RP14 36 AC1NA | RP14 42 AC1NA | RP14 48 AC1NA | RP14 60 AC1NA | | | |
|-------------------|-------|---|------------------------------|------------------------------|------------------------------|--|--|--|--|
| COIL GROUP | | | | | | | | | |
| 30 | Stk | Condenser Coil | AS-105001-03 | AS-105001-03 | AS-105034-03 | AS-105003-03 | | | |
| 31 | | Service Valve - Suction | 61-104914-03 | 61-104914-04 | 61-104914-04 | 61-104914-04 | | | |
| 32 | | Service Valve - Liquid | 61-104914-01 | 61-104914-01 | 61-104914-01 | 61-104914-01 | | | |
| 33 | | Bulkhead Valve | 61-22369-04 | 61-22369-04 | 61-22369-04 | 61-22369-04 | | | |
| 33a | | Valve Core | 61-18551-01 | 61-18551-01 | 61-18551-01 | 61-18551-01 | | | |
| 33b | | Valve Cap | 83-100635-01 | 83-100635-01 | 83-100635-01 | 83-100635-01 | | | |
| | | Locknut - Bulkhead Valve | 63-22368-01 | 63-22368-01 | 63-22368-01 | 63-22368-01 | | | |
| 27 | Stk | Low Pressure Control | See Electrical Group | | | | | | |
| 28 | Stk | High Pressure Control | See Electrical Group | | | | | | |
| | Stk | Filter Drier | 83-41719-04 | 83-41719-04 | 83-41719-04 | 83-41719-04 | | | |
| | | Charge Compensator | N/A | 83-104499-02 | N/A | 83-104499-12 | | | |
| 29a | Stk | TXV/Distributor Assembly | 61-105338-04 | 61-105338-05 | 61-105338-06 | 61-105338-07 | | | |
| 29b | Stk | Reversing Valve (Before Date Listed) | 61-102498-09 | 61-102498-09 | 61-102498-06 | RXTB-A05 (W4216) | | | |
| | Stk | Reversing Valve (On or After Date Listed) | 61-102498-09 | 61-102498-09 | 61-102498-06 | 61-102498-06 (W4216) | | | |
| | Stk | Solenoid Coil - Reversing Valve | 61-101713-92 | 61-101713-92 | 61-101713-92 | 61-101713-92 | | | |
| | | Wiring Harness - Reversing Valve (Before Date Listed) | 61-26149-03 (W0917) | 61-26149-03 (W0917) | 61-26149-03 (W0917) | 61-26149-03 (W0917) | | | |
| | | Wiring Harness - Reversing Valve (On or After Date Listed) | 61-26149-05 (W0917) | 61-26149-05 (W0917) | 61-26149-05 (W0917) | 61-26149-05 (W0917) | | | |

| No. | Notes | MODEL COOLING CAPACITY VARIATION | RP14 36 AD1NA | RP14 42 AD1NA | RP14 48 AD1NA | RP14 60 AD1NA | | | |
|-------------------|-------|---|------------------------------|------------------------------|------------------------------|--|--|--|--|
| COIL GROUP | | | | | | | | | |
| 30 | Stk | Condenser Coil | AS-105001-03 | AS-105001-03 | AS-105034-03 | AS-105003-03 | | | |
| 31 | | Service Valve - Suction | 61-104914-03 | 61-104914-04 | 61-104914-04 | 61-104914-04 | | | |
| 32 | | Service Valve - Liquid | 61-104914-01 | 61-104914-01 | 61-104914-01 | 61-104914-01 | | | |
| 33 | | Bulkhead Valve | 61-22369-04 | 61-22369-04 | 61-22369-04 | 61-22369-04 | | | |
| 33a | | Valve Core | 61-18551-01 | 61-18551-01 | 61-18551-01 | 61-18551-01 | | | |
| 33b | | Valve Cap | 83-100635-01 | 83-100635-01 | 83-100635-01 | 83-100635-01 | | | |
| | | Locknut - Bulkhead Valve | 63-22368-01 | 63-22368-01 | 63-22368-01 | 63-22368-01 | | | |
| 27 | Stk | Low Pressure Control | See Electrical Group | | | | | | |
| 28 | Stk | High Pressure Control | See Electrical Group | | | | | | |
| | Stk | Filter Drier | 83-41719-02 | 83-41719-02 | 83-41719-02 | 83-41719-02 | | | |
| | | Charge Compensator | N/A | 83-104499-02 | N/A | 83-104499-12 | | | |
| 29a | Stk | TXV/Distributor Assembly | 61-105025-04 | 61-105025-05 | 61-105025-06 | 61-105025-07 | | | |
| 29b | Stk | Reversing Valve (Before Date Listed) | 61-102498-09 | 61-102498-09 | 61-102498-06 | RXTB-A05 (W4216) | | | |
| | Stk | Reversing Valve (On or After Date Listed) | 61-102498-09 | 61-102498-09 | 61-102498-06 | 61-102498-06 (W4216) | | | |
| | Stk | Solenoid Coil - Reversing Valve | 61-101713-92 | 61-101713-92 | 61-101713-92 | 61-101713-92 | | | |
| | | Wiring Harness - Reversing Valve (Before Date Listed) | 61-26149-03 (W0917) | 61-26149-03 (W0917) | 61-26149-03 (W0917) | 61-26149-03 (W0917) | | | |
| | | Wiring Harness - Reversing Valve (On or After Date Listed) | 61-26149-05 (W0917) | 61-26149-05 (W0917) | 61-26149-05 (W0917) | 61-26149-05 (W0917) | | | |

| No. | Notes | MODEL COOLING CAPACITY VARIATION | RP14 | RP14 | RP14 | RP14 | RP14 | RP14 |
|-------------------|-------|---|------------------------|-------------------------|-------------------------|-------------------------|------------------------|------------------------|
| | | | 18 AJ1NA | 24 AJ1NA | 30 AJ1NA | 36 AJ1NA | 42 AJ1NA | 48 AJ1NA |
| COIL GROUP | | | | | | | | |
| 30 | Stk | Condenser Coil | AS-104981-03 | AS-104981-03 | AS-105041-03 | AS-105001-03 | AS-105001-03 | AS-105034-03 |
| 31 | | Service Valve - Suction | 61-104914-03 | 61-104914-03 | 61-104914-03 | 61-104914-03 | 61-104914-04 | 61-104914-04 |
| 32 | | Service Valve - Liquid | 61-104914-01 | 61-104914-01 | 61-104914-01 | 61-104914-01 | 61-104914-01 | 61-104914-01 |
| 33 | | Bulkhead Valve | 61-22369-04 | 61-22369-04 | 61-22369-04 | 61-22369-04 | 61-22369-04 | 61-22369-04 |
| 33a | | Valve Core | 61-18551-01 | 61-18551-01 | 61-18551-01 | 61-18551-01 | 61-18551-01 | 61-18551-01 |
| 33b | | Valve Cap | 83-100635-01 | 83-100635-01 | 83-100635-01 | 83-100635-01 | 83-100635-01 | 83-100635-01 |
| | | Locknut - Bulkhead Valve | 63-22368-01 | 63-22368-01 | 63-22368-01 | 63-22368-01 | 63-22368-01 | 63-22368-01 |
| 27 | Stk | Low Pressure Control | See Electrical Group | | | | | |
| 28 | Stk | High Pressure Control | See Electrical Group | | | | | |
| | Stk | Filter Drier | 83-41719-04 | 83-41719-04 | 83-41719-04 | 83-41719-04 | 83-41719-04 | 83-41719-04 |
| | | Charge Compensator | 83-104499-01 | 83-104499-01 | 83-104499-01 | N/A | 83-104499-02 | N/A |
| 29a | Stk | TXV/Distributor Assembly (Before Date Listed) | 61-105338-01 | 61-105338-01 (W3519) | 61-105338-03 (W3519) | 61-105338-04 (W3519) | 61-105338-05 | 61-105338-06 |
| | Stk | TXV/Distributor Assembly (On or After Date Listed) | 61-105338-01 | 61-107128-01 (W3519) | 61-107128-03 (W3519) | 61-107128-04 (W3519) | 61-105338-05 | 61-105338-06 |
| 29b | Stk | Reversing Valve (Before Date Listed) | 61-102498-04 | RXTB-A11 (W0521) | 61-102498-09 | 61-102498-09 | 61-102498-09 | 61-102498-06 |
| | Stk | Reversing Valve (On or After Date Listed) | 61-102498-04 | 61-102498-04 (W0521) | 61-102498-09 | 61-102498-09 | 61-102498-09 | 61-102498-06 |
| | Stk | Solenoid Coil - Reversing Valve | 61-101713-92 | 61-101713-92 | 61-101713-92 | 61-101713-92 | 61-101713-92 | 61-101713-92 |
| | | Wiring Harness - Reversing Valve (Before Date Listed) | 61-26149-03 (W0917) | 61-26149-03 (W0917) | 61-26149-03 (W0917) | 61-26149-03 (W0917) | 61-26149-03 (W0917) | 61-26149-03 (W0917) |
| | | Wiring Harness - Reversing Valve (On or After Date Listed) | 61-26149-05 (W0917) | 61-26149-05 (W0917) | 61-26149-05 (W0917) | 61-26149-05 (W0917) | 61-26149-05 (W0917) | 61-26149-05 (W0917) |

| No. | Notes | MODEL COOLING CAPACITY VARIATION | RP14 | | | | | |
|-------------------|-------|---|-------------------------|--|--|--|--|--|
| | | | 60 AJ1NA | | | | | |
| COIL GROUP | | | | | | | | |
| 30 | Stk | Condenser Coil | AS-105003-03 | | | | | |
| 31 | | Service Valve - Suction | 61-104914-04 | | | | | |
| 32 | | Service Valve - Liquid | 61-104914-01 | | | | | |
| 33 | | Bulkhead Valve | 61-22369-04 | | | | | |
| 33a | | Valve Core | 61-18551-01 | | | | | |
| 33b | | Valve Cap | 83-100635-01 | | | | | |
| | | Locknut - Bulkhead Valve | 63-22368-01 | | | | | |
| 27 | Stk | Low Pressure Control | See Electrical Group | | | | | |
| 28 | Stk | High Pressure Control | See Electrical Group | | | | | |
| | Stk | Filter Drier | 83-41719-04 | | | | | |
| | | Charge Compensator | 83-104499-12 | | | | | |
| 29a | Stk | TXV/Distributor Assembly | 61-105338-07 | | | | | |
| 29b | Stk | Reversing Valve (Before Date Listed) | RXTB-A05 (W4216) | | | | | |
| | Stk | Reversing Valve (On or After Date Listed) | 61-102498-06 (W4216) | | | | | |
| | Stk | Solenoid Coil - Reversing Valve | 61-101713-92 | | | | | |
| | | Wiring Harness - Reversing Valve (Before Date Listed) | 61-26149-03 (W0917) | | | | | |
| | | Wiring Harness - Reversing Valve (On or After Date Listed) | 61-26149-05 (W0917) | | | | | |

| No. | Notes | MODEL COOLING CAPACITY VARIATION | RP14 | RP14 | RP14 | RP14 | RP14 | RP14 |
|-------------------|-------|---|------------------------|------------------------|------------------------|------------------------|------------------------|------------------------|
| | | | 18 AJPNA | 24 AJPNA | 30 AJPNA | 36 AJPNA | 42 AJPNA | 48 AJPNA |
| COIL GROUP | | | | | | | | |
| 30 | Stk | Condenser Coil | AS-106244-03 | AS-106244-03 | AS-105090-03 | AS-106250-03 | AS-105034-03 | AS-106254-03 |
| 31 | | Service Valve - Suction | 61-104914-03 | 61-104914-03 | 61-104914-03 | 61-104914-03 | 61-104914-04 | 61-104914-04 |
| 32 | | Service Valve - Liquid | 61-104914-05 | 61-104914-05 | 61-104914-05 | 61-104914-05 | 61-104914-05 | 61-104914-05 |
| 33 | | Bulkhead Valve | 61-22369-04 | 61-22369-04 | 61-22369-04 | 61-22369-04 | 61-22369-04 | 61-22369-04 |
| 33a | | Valve Core | 61-18551-01 | 61-18551-01 | 61-18551-01 | 61-18551-01 | 61-18551-01 | 61-18551-01 |
| 33b | | Valve Cap | 83-100635-01 | 83-100635-01 | 83-100635-01 | 83-100635-01 | 83-100635-01 | 83-100635-01 |
| 33c | | Locknut - Bulkhead Valve | 63-22368-01 | 63-22368-01 | 63-22368-01 | 63-22368-01 | 63-22368-01 | 63-22368-01 |
| 27 | Stk | Low Pressure Control | See Electrical Group | | | | | |
| 28 | Stk | High Pressure Control | See Electrical Group | | | | | |
| | Stk | Filter Drier | 83-41719-02 | 83-41719-02 | 83-41719-02 | 83-41719-02 | 83-41719-02 | 83-41719-02 |
| 35 | | Accumulator - Suction Line | 83-104716-01 | 83-104716-01 | 83-104716-01 | 83-104716-01 | 83-104716-02 | 83-104716-02 |
| 29a | Stk | TXV/Distributor Assembly | N/A | N/A | N/A | N/A | N/A | N/A |
| 29b | Stk | Reversing Valve | 61-102498-04 | 61-102498-04 | 61-102498-09 | 61-102498-09 | 61-102498-09 | 61-102498-06 |
| 29c | Stk | Flow Check/Distributor Assembly | 61-104502-35 | 61-104502-39 | 61-104502-45 | 61-104503-46 | 61-104504-55 | 61-104504-49 |
| | | Piston - Flow Check/Distributor | 61-104468-35 | 61-104468-39 | 61-104468-45 | 61-104468-46 | 61-104468-55 | 61-104468-49 |
| | | Piston - Outdoor Coil | 61-104468-49 | N/A | 61-104468-62 | N/A | 61-104468-74 | N/A |
| | Stk | Solenoid Coil - Reversing Valve | 61-101713-92 | 61-101713-92 | 61-101713-92 | 61-101713-92 | 61-101713-92 | 61-101713-92 |
| | | Wiring Harness - Reversing Valve (Before Date Listed) | 61-26149-03 (W0917) | 61-26149-03 (W0917) | 61-26149-03 (W0917) | 61-26149-03 (W0917) | 61-26149-03 (W0917) | 61-26149-03 (W0917) |
| | | Wiring Harness - Reversing Valve (On or After Date Listed) | 61-26149-05 (W0917) | 61-26149-05 (W0917) | 61-26149-05 (W0917) | 61-26149-05 (W0917) | 61-26149-05 (W0917) | 61-26149-05 (W0917) |

| No. | Notes | MODEL COOLING CAPACITY VARIATION | RP14 | | RP14 | | | |
|-------------------|-------|---|-------------------------|--|--------------|--|--|--|
| | | | 60 AJPNA | | 36 BJPNA | | | |
| COIL GROUP | | | | | | | | |
| 30 | Stk | Condenser Coil | AS-106256-03 | | AS-106250-03 | | | |
| 31 | | Service Valve - Suction | 61-104914-04 | | 61-104914-03 | | | |
| 32 | | Service Valve - Liquid | 61-104914-05 | | 61-104914-05 | | | |
| 33 | | Bulkhead Valve | 61-22369-04 | | 61-22369-04 | | | |
| 33a | | Valve Core | 61-18551-01 | | 61-18551-01 | | | |
| 33b | | Valve Cap | 83-100635-01 | | 83-100635-01 | | | |
| 33c | | Locknut - Bulkhead Valve | 63-22368-01 | | 63-22368-01 | | | |
| 27 | Stk | Low Pressure Control | See Electrical Group | | | | | |
| 28 | Stk | High Pressure Control | See Electrical Group | | | | | |
| | Stk | Filter Drier | 83-41719-02 | | 83-104825-01 | | | |
| 35 | | Accumulator - Suction Line | 83-104716-02 | | 83-104716-01 | | | |
| 29a | Stk | TXV/Distributor Assembly | N/A | | N/A | | | |
| 29b | Stk | Reversing Valve (Before Date Listed) | RXTB-A05 (W4216) | | 61-102498-09 | | | |
| | Stk | Reversing Valve (On or After Date Listed) | 61-102498-06 (W4216) | | 61-102498-09 | | | |
| 29c | Stk | Flow Check/Distributor Assembly | 61-104506-64 | | 61-104503-46 | | | |
| | | Piston - Flow Check/Distributor | 61-104468-64 | | 61-104468-46 | | | |
| | | Piston - Outdoor Coil | N/A | | N/A | | | |
| | Stk | Solenoid Coil - Reversing Valve | 61-101713-92 | | 61-101713-92 | | | |
| | | Wiring Harness - Reversing Valve (Before Date Listed) | 61-26149-03 (W0917) | | N/A | | | |
| | | Wiring Harness - Reversing Valve (On or After Date Listed) | 61-26149-05 (W0917) | | 61-26149-05 | | | |

| No. | Notes | MODEL COOLING CAPACITY VARIATION | RP14 | RP14 | | RP14 | RP14 | | |
|-------------------|-------|---|------------------------------|------------------------------|--|---|------------------------------|--|--|
| | | | 60 BC1NA | 60 BD1NA | | 18 BJ1NA | 60 BJ1NA | | |
| COIL GROUP | | | | | | | | | |
| 30 | Stk | Condenser Coil | AS-105214-03 | AS-105214-03 | | AS-104981-03 | AS-105214-03 | | |
| 31 | | Service Valve - Suction | 61-104914-04 | 61-104914-04 | | 61-104914-03 | 61-104914-04 | | |
| 32 | | Service Valve - Liquid | 61-104914-05 | 61-104914-05 | | 61-104914-05 | 61-104914-05 | | |
| 33 | | Bulkhead Valve | 61-22369-04 | 61-22369-04 | | 61-22369-04 | 61-22369-04 | | |
| 33a | | Valve Core | 61-18551-01 | 61-18551-01 | | 61-18551-01 | 61-18551-01 | | |
| 33b | | Valve Cap | 83-100635-01 | 83-100635-01 | | 83-100635-01 | 83-100635-01 | | |
| 33c | | Locknut - Bulkhead Valve | 63-22368-01 | 63-22368-01 | | 63-22368-01 | 63-22368-01 | | |
| 27 | Stk | Low Pressure Control | See Electrical Group | | | | | | |
| 28 | Stk | High Pressure Control | See Electrical Group | | | | | | |
| | Stk | Filter Drier | 83-41719-02 | 83-104825-01 | | 83-41719-02 | 83-41719-02 | | |
| | | Charge Compensator | 83-104499-11 | 83-104499-11 | | 83-104499-02 | 83-104499-11 | | |
| 29a | Stk | TXV/Distributor Assembly (Before Date Listed) | 61-105025-13 (W1621) | 61-105025-13 (W1621) | | 61-105025-01 | 61-105025-13 (W1621) | | |
| 29a | Stk | TXV/Distributor Assembly (On or After Date Listed) | 61-108248-13 (W1621) | 61-108248-13 (W1621) | | 61-105025-01 | 61-108248-13 (W1621) | | |
| 29b | Stk | Reversing Valve (Before Date Listed) | 61-102498-06 | 61-102498-06 | | RXTB-A11 (W0521) | 61-102498-06 | | |
| | Stk | Reversing Valve (On or After Date Listed) | 61-102498-06 | 61-102498-06 | | 61-102498-04 (W0521) | 61-102498-06 | | |
| | Stk | Solenoid Coil - Reversing Valve | 61-101713-92 | 61-101713-92 | | 61-101713-92 | 61-101713-92 | | |
| | | Wiring Harness - Reversing Valve | 61-26149-05 | 61-26149-05 | | 61-26149-05 | 61-26149-05 | | |

| No. | Notes | MODEL COOLING CAPACITY VARIATION | RP14 | | RP14 | | RP14 | RP14 | |
|-------------------|-------|--|------------------------------|--|------------------------------|--|------------------------------|------------------------------|--|
| | | | 42 CC1NA | | 42 CD1NA | | 18 CJ1NA | 42 CJ1NA | |
| COIL GROUP | | | | | | | | | |
| 30 | Stk | Condenser Coil | AS-105034-03 | | AS-105034-03 | | AS-105088-03 | AS-105034-03 | |
| 31 | | Service Valve - Suction | 61-104914-04 | | 61-104914-04 | | 61-104914-03 | 61-104914-04 | |
| 32 | | Service Valve - Liquid | 61-104914-05 | | 61-104914-05 | | 61-104914-05 | 61-104914-05 | |
| 33 | | Bulkhead Valve | 61-22369-04 | | 61-22369-04 | | 61-22369-04 | 61-22369-04 | |
| 33a | | Valve Core | 61-18551-01 | | 61-18551-01 | | 61-18551-01 | 61-18551-01 | |
| 33b | | Valve Cap | 83-100635-01 | | 83-100635-01 | | 83-100635-01 | 83-100635-01 | |
| | | Locknut - Bulkhead Valve | 63-22368-01 | | 63-22368-01 | | 63-22368-01 | 63-22368-01 | |
| 27 | Stk | Low Pressure Control | See Electrical Group | | | | | | |
| 28 | Stk | High Pressure Control | See Electrical Group | | | | | | |
| | Stk | Filter Drier | 83-104825-01 | | 83-104825-01 | | 83-104825-01 | 83-104825-01 | |
| | | Charge Compensator | N/A | | N/A | | 83-104499-01 | N/A | |
| 29a | Stk | TXV/Distributor Assembly | 61-107128-06 | | 61-107128-06 | | 61-105025-08 | 61-107128-06 | |
| 29b | Stk | Reversing Valve | 61-102498-09 | | 61-102498-09 | | 61-102498-04 | 61-102498-09 | |
| | Stk | Solenoid Coil - Reversing Valve | 61-101713-92 | | 61-101713-92 | | 61-101713-92 | 61-101713-92 | |
| | | Wiring Harness - Reversing Valve | 61-26149-05 | | 61-26149-05 | | 61-26149-05 | 61-26149-05 | |

| No. | Notes | MODEL COOLING CAPACITY VARIATION | RP14 | RP14 | RP14 | RP14 | | | |
|-------------------|-------|---|------------------------------|------------------------------|---|---|--|--|--|
| | | | 36 FC1NA | 42 FC1NA | 48 FC1NA | 60 FC1NA | | | |
| COIL GROUP | | | | | | | | | |
| 30 | Stk | Condenser Coil | AS-105093-03 | AS-105034-03 | AS-105095-03 | AS-105214-03 | | | |
| 31 | | Service Valve - Suction | 61-104914-03 | 61-104914-04 | 61-104914-04 | 61-104914-04 | | | |
| 32 | | Service Valve - Liquid | 61-104914-05 | 61-104914-05 | 61-104914-05 | 61-104914-05 | | | |
| 33 | | Bulkhead Valve | 61-22369-04 | 61-22369-04 | 61-22369-04 | 61-22369-04 | | | |
| 33a | | Valve Core | 61-18551-01 | 61-18551-01 | 61-18551-01 | 61-18551-01 | | | |
| 33b | | Valve Cap | 83-100635-01 | 83-100635-01 | 83-100635-01 | 83-100635-01 | | | |
| | | Locknut - Bulkhead Valve | 63-22368-01 | 63-22368-01 | 63-22368-01 | 63-22368-01 | | | |
| 27 | Stk | Low Pressure Control | See Electrical Group | | | | | | |
| 28 | Stk | High Pressure Control | See Electrical Group | | | | | | |
| | Stk | Filter Drier | 83-41719-04 | 83-41719-04 | 83-41719-04 | 83-41719-04 | | | |
| | | Charge Compensator | N/A | N/A | 83-104499-11 | 83-104499-11 | | | |
| 29a | Stk | TXV/Distributor Assembly (Before Date Listed) | 61-105025-10 (W4021) | 61-105025-06 | 61-105025-12 | 61-105025-13 (W1621) | | | |
| 29a | Stk | TXV/Distributor Assembly (On or After Date Listed) | 61-107128-10 (W4021) | 61-105025-06 | 61-105025-12 | 61-108248-13 (W1621) | | | |
| 29b | Stk | Reversing Valve (Before Date Listed) | 61-102498-09 | 61-102498-09 | RXTB-A06 (W3018) | RXTB-A05 (W4216) | | | |
| | Stk | Reversing Valve (On or After Date Listed) | 61-102498-09 | 61-102498-09 | 61-102498-06 (W3018) | 61-102498-06 (W4216) | | | |
| | Stk | Solenoid Coil - Reversing Valve | 61-101713-92 | 61-101713-92 | 61-101713-92 | 61-101713-92 | | | |
| | | Wiring Harness - Reversing Valve (Before Date Listed) | 61-26149-03 (W0917) | 61-26149-03 (W0917) | 61-26149-03 (W0917) | 61-26149-03 (W0917) | | | |
| | | Wiring Harness - Reversing Valve (On or After Date Listed) | 61-26149-05 (W0917) | 61-26149-05 (W0917) | 61-26149-05 (W0917) | 61-26149-05 (W0917) | | | |

| No. | Notes | MODEL COOLING CAPACITY VARIATION | RP14 | RP14 | RP14 | RP14 | RP14 | RP14 | |
|-------------------|-------|---|------------------------------|------------------------------|------------------------------|------------------------------|------------------------------|---|--|
| | | | 18 FJ1NA | 24 FJ1NA | 30 FJ1NA | 36 FJ1NA | 42 FJ1NA | 48 FJ1NA | |
| COIL GROUP | | | | | | | | | |
| 30 | Stk | Condenser Coil | AS-104981-03 | AS-105088-03 | AS-105090-03 | AS-105093-03 | AS-105034-03 | AS-105095-03 | |
| 31 | | Service Valve - Suction | 61-104914-03 | 61-104914-03 | 61-104914-03 | 61-104914-03 | 61-104914-04 | 61-104914-04 | |
| 32 | | Service Valve - Liquid | 61-104914-05 | 61-104914-05 | 61-104914-05 | 61-104914-05 | 61-104914-05 | 61-104914-05 | |
| 33 | | Bulkhead Valve | 61-22369-04 | 61-22369-04 | 61-22369-04 | 61-22369-04 | 61-22369-04 | 61-22369-04 | |
| 33a | | Valve Core | 61-18551-01 | 61-18551-01 | 61-18551-01 | 61-18551-01 | 61-18551-01 | 61-18551-01 | |
| 33b | | Valve Cap | 83-100635-01 | 83-100635-01 | 83-100635-01 | 83-100635-01 | 83-100635-01 | 83-100635-01 | |
| | | Locknut - Bulkhead Valve | 63-22368-01 | 63-22368-01 | 63-22368-01 | 63-22368-01 | 63-22368-01 | 63-22368-01 | |
| 27 | Stk | Low Pressure Control | See Electrical Group | | | | | | |
| 28 | Stk | High Pressure Control | See Electrical Group | | | | | | |
| | Stk | Filter Drier | 83-41719-04 | 83-41719-04 | 83-41719-04 | 83-41719-04 | 83-41719-04 | 83-41719-04 | |
| | | Charge Compensator | 83-104499-02 | 83-104499-01 | N/A | N/A | N/A | N/A | |
| 29a | Stk | TXV/Distributor Assembly (Before Date Listed) | 61-105025-01 | 61-105025-08 | 61-105025-09 (W3519) | 61-105025-10 (W3519) | 61-105025-06 | 61-105025-12 | |
| | Stk | TXV/Distributor Assembly (On or After Date Listed) | 61-105025-01 | 61-105025-08 | 61-107128-09 (W3519) | 61-107128-10 (W3519) | 61-105025-06 | 61-105025-12 | |
| 29b | Stk | Reversing Valve (Before Date Listed) | 61-102498-04 | 61-102498-04 | 61-102498-09 | 61-102498-09 | 61-102498-09 | RXTB-A06 (W3018) | |
| | Stk | Reversing Valve (On or After Date Listed) | 61-102498-04 | 61-102498-04 | 61-102498-09 | 61-102498-09 | 61-102498-09 | 61-102498-06 (W3018) | |
| | Stk | Solenoid Coil - Reversing Valve | 61-101713-92 | 61-101713-92 | 61-101713-92 | 61-101713-92 | 61-101713-92 | 61-101713-92 | |
| | | Wiring Harness - Reversing Valve (Before Date Listed) | 61-26149-03 (W0917) | 61-26149-03 (W0917) | 61-26149-03 (W0917) | 61-26149-03 (W0917) | 61-26149-03 (W0917) | 61-26149-03 (W0917) | |
| | | Wiring Harness - Reversing Valve (On or After Date Listed) | 61-26149-05 (W0917) | 61-26149-05 (W0917) | 61-26149-05 (W0917) | 61-26149-05 (W0917) | 61-26149-05 (W0917) | 61-26149-05 (W0917) | |

| No. | Notes | MODEL COOLING CAPACITY VARIATION | RP14 60 FJ1NA | | RP14 42 GC1NA | | RP14 18 GJ1NA | RP14 42 GJ1NA | |
|-------------------|-------|---|-------------------------|--|---------------------|--|---------------------|---------------------|--|
| COIL GROUP | | | | | | | | | |
| 30 | Stk | Condenser Coil | AS-105214-03 | | AS-105095-03 | | AS-105088-03 | AS-105095-03 | |
| 31 | | Service Valve - Suction | 61-104914-04 | | 61-104914-04 | | 61-104914-03 | 61-104914-04 | |
| 32 | | Service Valve - Liquid | 61-104914-05 | | 61-104914-05 | | 61-104914-05 | 61-104914-05 | |
| 33 | | Bulkhead Valve | 61-22369-04 | | 61-22369-04 | | 61-22369-04 | 61-22369-04 | |
| 33a | | Valve Core | 61-18551-01 | | 61-18551-01 | | 61-18551-01 | 61-18551-01 | |
| 33b | | Valve Cap | 83-100635-01 | | 83-100635-01 | | 83-100635-01 | 83-100635-01 | |
| | | Locknut - Bulkhead Valve | 63-22368-01 | | 63-22368-01 | | 63-22368-01 | 63-22368-01 | |
| 27 | Stk | Low Pressure Control | See Electrical Group | | | | | | |
| 28 | Stk | High Pressure Control | See Electrical Group | | | | | | |
| | Stk | Filter Drier | 83-41719-04 | | 83-104825-01 | | 83-104825-01 | 83-104825-01 | |
| | | Charge Compensator | 83-104499-11 | | N/A | | 83-104499-01 | N/A | |
| | | Muffler | 83-104416-01 | | 83-104416-01 | | 83-104416-01 | 83-104416-01 | |
| 29a | Stk | TXV/Distributor Assembly (Before Date Listed) | 61-105025-13 (W1621) | | 61-107128-06 | | 61-105025-08 | 61-107128-06 | |
| 29a | Stk | TXV/Distributor Assembly (On or After Date Listed) | 61-108248-13 (W1621) | | 61-107128-06 | | 61-105025-08 | 61-107128-06 | |
| 29b | Stk | Reversing Valve (Before Date Listed) | RXTB-A05 (W4216) | | 61-102498-09 | | 61-102498-04 | 61-102498-09 | |
| | Stk | Reversing Valve (On or After Date Listed) | 61-102498-06 (W4216) | | 61-102498-09 | | 61-102498-04 | 61-102498-09 | |
| | Stk | Solenoid Coil - Reversing Valve | 61-101713-92 | | 61-101713-92 | | 61-101713-92 | 61-101713-92 | |
| | | Wiring Harness - Reversing Valve (Before Date Listed) | 61-26149-03 (W0917) | | N/A | | N/A | N/A | |
| | | Wiring Harness - Reversing Valve (On or After Date Listed) | 61-26149-05 (W0917) | | 61-26149-05 | | 61-26149-05 | 61-26149-05 | |

| No. | Notes | MODEL COOLING CAPACITY VARIATION | RP14 36 AC1NA | RP14 42 AC1NA | RP14 48 AC1NA | RP14 60 AC1NA | | |
|-------------------------|-------|---|------------------------------|------------------------------|------------------------------|------------------------------|--|--|
| COMPRESSOR GROUP | | | | | | | | |
| | | Compressor ID: | 9030 | 9031 | 9032 | 9033 | | |
| 40 | Stk | Compressor | 55-102045-132S | 55-102045-133S | 55-102045-134S | 55-102045-130S | | |
| | | Compressor Grommet (4) | 56-18518-04 | 56-18518-06 | 56-18518-06 | 56-18518-06 | | |
| | | Compressor Bolt (4) | 63-20072-07 | 63-20072-07 | 63-20072-07 | 63-20072-07 | | |
| 23 | Stk | Capacitor - Fan | 43-101666-65 | 43-101666-65 | 43-101666-62 | 43-101666-65 | | |
| | Stk | Compressor Wiring Harness (Molded Plug) | 45-100834-80 | 45-100834-80 | 45-100834-80 | 45-100834-80 | | |
| 25 | | Crankcase Heater | See Accessories | | | 44-101884-13 | | |
| 31a | | Strainer - Suction | 83-25316-03 | 83-25316-04 | 83-25316-04 | 83-25316-04 | | |
| 32a | | Strainer - Liquid | 83-25316-02 | 83-25316-02 | 83-25316-02 | 83-25316-02 | | |
| | | Muffler | 83-104416-01 | 83-104416-01 | 83-104416-01 | 83-104416-01 | | |
| | | Filter Drier | See Coil Group | | | | | |
| | | Charge Compensator | See Coil Group | | | | | |

| No. | Notes | MODEL COOLING CAPACITY VARIATION | RP14 36 AD1NA | RP14 42 AD1NA | RP14 48 AD1NA | RP14 60 AD1NA | | |
|-------------------------|-------|---|------------------------------|------------------------------|------------------------------|------------------------------|--|--|
| COMPRESSOR GROUP | | | | | | | | |
| | | Compressor ID: | 9034 | 9035 | 9036 | 9037 | | |
| 40 | Stk | Compressor | 55-102045-135S | 55-102045-136S | 55-102045-137S | 55-102045-131S | | |
| | | Compressor Grommet (4) | 56-18518-04 | 56-18518-06 | 56-18518-06 | 56-18518-06 | | |
| | | Compressor Bolt (4) | 63-20072-07 | 63-20072-07 | 63-20072-07 | 63-20072-07 | | |
| 23 | Stk | Capacitor - Fan | See Electrical Group | | | | | |
| | Stk | Compressor Wiring Harness (Molded Plug) | 45-100834-80 | 45-100834-80 | 45-100834-80 | 45-100834-80 | | |
| 25 | | Crankcase Heater | See Accessories | | | 44-101884-06 | | |
| 31a | | Strainer - Suction | 83-25316-03 | 83-25316-04 | 83-25316-04 | 83-25316-04 | | |
| 32a | | Strainer - Liquid | 83-25316-02 | 83-25316-02 | 83-25316-02 | 83-25316-02 | | |
| | | Muffler | 83-104416-01 | 83-104416-01 | 83-104416-01 | 83-104416-01 | | |
| | | Filter Drier | See Coil Group | | | | | |
| | | Charge Compensator | See Coil Group | | | | | |

| No. | Notes | MODEL COOLING CAPACITY VARIATION | RP14 18 AJ1NA | RP14 24 AJ1NA | RP14 30 AJ1NA | RP14 36 AJ1NA | RP14 42 AJ1NA | RP14 48 AJ1NA |
|-------------------------|-------|---|------------------------------|------------------------------|------------------------------|------------------------------|------------------------------|------------------------------|
| COMPRESSOR GROUP | | | | | | | | |
| | | Compressor ID: | 8963 | 8964 | 8965 | 8966 | 8967 | 8968 |
| 40 | Stk | Compressor | 55-102045-120 | 55-102045-104S | 55-102045-123 | 55-102045-124 | 55-102045-126 | 55-102045-128 |
| | | Compressor Grommet (4) | 56-18518-04 | 56-18518-04 | 56-18518-04 | 56-18518-04 | 56-18518-06 | 56-18518-06 |
| | | Compressor Bolt (4) | 63-20072-07 | 63-20072-07 | 63-20072-07 | 63-20072-07 | 63-20072-07 | 63-20072-07 |
| 23 | Stk | Capacitor - Compressor/Fan | 43-101665-60 | 43-101665-10 | 43-101665-10 | 43-101665-13 | 43-101665-13 | 43-101665-58 |
| | Stk | Compressor Wiring Harness (Molded Plug) | 45-100834-80 | 45-100834-80 | 45-100834-80 | 45-100834-80 | 45-100834-80 | 45-100834-80 |
| 25 | | Crankcase Heater | See Accessories | | | | | |
| | | Muffler | 83-104416-01 | 83-104416-01 | 83-104416-01 | 83-104416-01 | 83-104416-01 | 83-104416-01 |
| | | Filter Drier | See Coil Group | | | | | |
| | | Charge Compensator | See Coil Group | | | | | |

| No. | Notes | MODEL COOLING CAPACITY VARIATION | RP14 60 AJ1NA | | RP14 18 AJPNA | RP14 24 AJPNA | RP14 30 AJPNA | RP14 36 AJPNA |
|-------------------------|-------|---|---------------------|--|---------------------|---------------------|---------------------|---------------------|
| COMPRESSOR GROUP | | | | | | | | |
| | | Compressor ID: | 8969 | | 9187 | 9188 | 9189 | 9190 |
| 40 | Stk | Compressor | 55-102045-101S | | 55-102045-122S | 55-102045-148S | 55-102045-143S | 55-102045-103S |
| | | Compressor Grommet (4) | 56-18518-06 | | 56-18518-04 | 56-18518-04 | 56-18518-04 | 56-18518-04 |
| | | Compressor Bolt (4) | 63-20072-07 | | 63-20072-07 | 63-20072-07 | 63-20072-07 | 63-20072-07 |
| 23 | Stk | Capacitor - Compressor/Fan | 43-101665-59 | | 43-101665-60 | 43-101665-06 | 43-101665-61 | 43-101666-68 |
| 23 | | Capacitor - Compressor | N/A | | N/A | N/A | N/A | N/A |
| | Stk | Compressor Wiring Harness (Molded Plug) | 45-100834-80 | | 45-100834-80 | 45-100834-80 | 45-100834-80 | 45-100834-80 |
| 25 | | Crankcase Heater | 44-101884-13 | | See Accessories | | | |
| | | Strainer - Suction | N/A | | 83-25316-03 | 83-25316-03 | 83-25316-03 | 83-25316-03 |
| | | Strainer - Liquid | N/A | | 83-25316-02 | 83-25316-02 | 83-25316-02 | 83-25316-02 |
| | | Muffler | 83-104416-01 | | 83-104416-01 | 83-104416-01 | 83-104416-01 | 83-104416-01 |
| | | Filter Drier | | | See Coil Group | | | |
| | | Charge Compensator | | | See Coil Group | | | |

| No. | Notes | MODEL COOLING CAPACITY VARIATION | RP14 42 AJPNA | RP14 48 AJPNA | RP14 60 AJPNA | | RP14 60 BC1NA | RP14 60 BD1NA |
|-------------------------|-------|---|---------------------|---------------------|---------------------|--|---------------------|---------------------|
| COMPRESSOR GROUP | | | | | | | | |
| | | Compressor ID: | 9191 | 9192 | 9193 | | 9545 | 9618 |
| 40 | Stk | Compressor | 55-102045-144S | 55-102045-119S | 55-102045-101 | | 55-102045-130 | 55-102045-131 |
| | | Compressor Grommet (4) | 56-18518-06 | 56-18518-06 | 56-18518-06 | | 56-18518-06 | 56-18518-06 |
| | | Compressor Bolt (4) | 63-20072-07 | 63-20072-07 | 63-20072-07 | | 63-20072-07 | 63-20072-07 |
| 23 | Stk | Capacitor - Fan | 43-101665-62 | 43-101666-68 | 43-101665-58 | | 43-101666-62 | 43-101666-58 |
| | Stk | Compressor Wiring Harness (Molded Plug) | 45-100834-80 | 45-100834-80 | 45-100834-80 | | 45-100834-80 | 45-100834-03 |
| 25 | | Crankcase Heater | See Accessories | | | | 44-103663-13 | 44-101884-06 |
| 31a | | Strainer - Suction | 83-25316-04 | 83-25316-04 | 83-25316-04 | | N/A | N/A |
| 32a | | Strainer - Liquid | 83-25316-02 | 83-25316-02 | 83-25316-02 | | N/A | N/A |
| 34 | | Muffler | 83-104416-01 | 83-104416-01 | 83-104416-01 | | 83-104416-01 | 83-104416-01 |
| | | Filter Drier | | | | | See Coil Group | |
| | | Accumulator | | | | | See Coil Group | |
| | | Charge Compensator | | | | | See Coil Group | |

| No. | Notes | MODEL COOLING CAPACITY VARIATION | RP14 18 BJ1NA | RP14 60 BJ1NA | | RP14 36 BJPNA | | |
|-------------------------|-------|---|---------------------|---------------------|--|---------------------|--|--|
| COMPRESSOR GROUP | | | | | | | | |
| | | Compressor ID: | 7340 | 9544 | | 9581 | | |
| 40 | Stk | Compressor | 55-102045-122S | 55-102045-101 | | 55-107225-02 | | |
| | | Compressor Grommet (4) | 56-18518-04 | 56-18518-06 | | 56-18518-04 | | |
| | | Compressor Bolt (4) | 63-20072-07 | 63-20072-07 | | 63-20072-07 | | |
| 23 | Stk | Capacitor - Fan/ Compressor | 43-101665-60 | 43-101665-58 | | 43-101666-68 | | |
| | Stk | Compressor Wiring Harness (Molded Plug) | 45-100834-80 | 45-100834-80 | | 45-107231-02 | | |
| 25 | | Crankcase Heater | See Accessories | 44-103663-13 | | See Accessories | | |
| 34 | | Muffler | 83-104416-01 | 83-104416-01 | | 83-104416-01 | | |
| | | Start Relay | 42-100491-09 | N/A | | N/A | | |
| | | Start Capacitor | 43-17075-04 | N/A | | N/A | | |
| | | Filter Drier | | | | See Coil Group | | |
| | | Charge Compensator | | | | See Coil Group | | |

| No. | Notes | MODEL COOLING CAPACITY VARIATION | RP14 42 CC1NA | | RP14 42 CD1NA | | RP14 18 CJ1NA | RP14 42 CJ1NA |
|-------------------------|-------|---|---------------------|--|---------------------|--|---------------------|---------------------|
| COMPRESSOR GROUP | | | | | | | | |
| | | Compressor ID: | 9577 | | 9578 | | 9558 | 9575 |
| 40 | Stk | Compressor | 55-102045-171 | | 55-102045-172 | | 55-102045-122S | 55-102045-170 |
| | | Compressor Grommet (4) | 56-18518-06 | | 56-18518-06 | | 56-18518-04 | 56-18518-06 |
| | | Compressor Bolt (4) | 63-20072-07 | | 63-20072-07 | | 63-20072-07 | 63-20072-07 |
| 23 | Stk | Capacitor - Fan | 43-101666-42 | | 43-101666-65 | | 43-101665-06 | 43-101665-62 |
| | Stk | Compressor Wiring Harness (Molded Plug) | 45-100834-80 | | 45-100834-80 | | 45-100834-80 | 45-100834-80 |
| 25 | | Crankcase Heater | See Accessories | | See Accessories | | See Accessories | See Accessories |
| 34 | | Muffler | 83-104416-01 | | 83-104416-01 | | 83-104416-01 | 83-104416-01 |
| | | Start Relay | N/A | | N/A | | N/A | N/A |
| | | Start Capacitor | N/A | | N/A | | N/A | N/A |
| | | Filter Drier | See Coil Group | | | | | |
| | | Charge Compensator | See Coil Group | | | | | |

| No. | Notes | MODEL COOLING CAPACITY VARIATION | RP14 36 FC1NA | RP14 42 FC1NA | RP14 48 FC1NA | RP14 60 FC1NA | | |
|-------------------------|-------|---|---------------------|---------------------|---------------------|---------------------|--|--|
| COMPRESSOR GROUP | | | | | | | | |
| | | Compressor ID: | 9139 | 9140 | 9141 | 9142 | | |
| 40 | Stk | Compressor | 55-102045-138S | 55-102045-133S | 55-102045-139S | 55-102045-130S | | |
| | | Compressor Grommet (4) | 56-18518-04 | 56-18518-06 | 56-18518-06 | 56-18518-06 | | |
| | | Compressor Bolt (4) | 63-20072-07 | 63-20072-07 | 63-20072-07 | 63-20072-07 | | |
| 23 | Stk | Capacitor - Fan | 43-101666-68 | 43-101666-65 | 43-101666-68 | 43-101666-62 | | |
| | Stk | Compressor Wiring Harness (Molded Plug) | 45-100834-80 | 45-100834-80 | 45-100834-80 | 45-100834-80 | | |
| 25 | | Crankcase Heater | See Accessories | | | 44-103663-13 | | |
| 31a | | Strainer - Suction | 83-25316-03 | 83-25316-04 | 83-25316-04 | 83-25316-04 | | |
| 32a | | Strainer - Liquid | 83-25316-02 | 83-25316-02 | 83-25316-02 | 83-25316-02 | | |
| | | Muffler | 83-104416-01 | 83-104416-01 | 83-104416-01 | 83-104416-01 | | |
| | | Filter Drier | See Coil Group | | | | | |
| | | Charge Compensator | See Coil Group | | | | | |

| No. | Notes | MODEL COOLING CAPACITY VARIATION | RP14 18 FJ1NA | RP14 24 FJ1NA | RP14 30 FJ1NA | RP14 36 FJ1NA | RP14 42 FJ1NA | RP14 48 FJ1NA | |
|-------------------------|-------|---|---------------------|---------------------|---------------------|---------------------|---------------------|---------------------|--------------|
| COMPRESSOR GROUP | | | | | | | | | |
| | | Compressor ID: | 9132 | 9133 | 9134 | 9135 | 9136 | 9137 | |
| 40 | Stk | Compressor | 55-102045-122S | 55-102045-148S | 55-102045-143S | 55-102045-103S | 55-102045-126 | 55-102045-119S | |
| | | Compressor Grommet (4) | 56-18518-04 | 56-18518-04 | 56-18518-04 | 56-18518-04 | 56-18518-06 | 56-18518-06 | |
| | | Compressor Bolt (4) | 63-20072-07 | 63-20072-07 | 63-20072-07 | 63-20072-07 | 63-20072-07 | 63-20072-07 | |
| 23 | Stk | Capacitor - Compressor/Fan | 43-101665-60 | 43-101665-06 | 43-101665-61 | N/A | 43-101665-62 | N/A | |
| 23 | | Capacitor - Compressor | N/A | N/A | N/A | 43-101666-68 | N/A | 43-101666-68 | |
| | | Start Capacitor | 43-17075-04 | 43-17075-04 | N/A | N/A | N/A | N/A | |
| | | Start Relay | 42-100491-09 | 42-100491-09 | N/A | N/A | N/A | N/A | |
| | Stk | Compressor Wiring Harness (Molded Plug) | 45-100834-80 | 45-100834-80 | 45-100834-80 | 45-100834-80 | 45-100834-80 | 45-100834-80 | |
| 25 | | Crankcase Heater | See Accessories | | | | | | 44-103663-13 |
| | | Muffler | 83-104416-01 | 83-104416-01 | 83-104416-01 | 83-104416-01 | 83-104416-01 | 83-104416-01 | |
| | | Filter Drier | See Coil Group | | | | | | |
| | | Charge Compensator | See Coil Group | | | | | | |

| No. | Notes | MODEL COOLING CAPACITY VARIATION | RP14 60 FJ1NA | | RP14 42 GC1NA | | RP14 18 GJ1NA | RP14 42 GJ1NA |
|-------------------------|-------|---|------------------------------|--|---------------------|--|------------------------------|---------------------|
| COMPRESSOR GROUP | | | | | | | | |
| | | Compressor ID: | 9138 | | 9612 | | 9557 | 9611 |
| 40 | Stk | Compressor | 55-102045-101S | | 55-102045-145 | | 55-102045-122S | 55-102045-144 |
| | | Compressor Grommet (4) | 56-18518-06 | | 56-18518-06 | | 56-18518-04 | 56-18518-06 |
| | | Compressor Bolt (4) | 63-20072-07 | | 63-20072-07 | | 63-20072-07 | 63-20072-07 |
| 23 | Stk | Capacitor - Compressor/Fan | 43-101665-58 | | N/A | | 43-101665-06 | 43-101666-68 |
| 23 | | Capacitor - Compressor | N/A | | N/A | | N/A | N/A |
| | Stk | Compressor Wiring Harness (Molded Plug) | 45-100834-80 | | 45-100834-03 | | 45-100834-02 | 45-100834-01 |
| 25 | | Crankcase Heater | 44-103663-13 | | 44-103663-13 | | See Accessories | 44-103663-13 |
| | | Muffler | 83-104416-01 | | 83-104416-01 | | 83-104416-01 | 83-104416-01 |
| | | Filter Drier | | | | | See Coil Group | |
| | | Charge Compensator | | | | | See Coil Group | |

| No. | Notes | MODEL COOLING CAPACITY VARIATION | RP14 36 AC1NA | RP14 42 AC1NA | RP14 48 AC1NA | RP14 60 AC1NA | | |
|--------------------|-------|--|-----------------------------|-----------------------------|-----------------------------|-----------------------------|--|--|
| ACCESSORIES | | | | | | | | |
| | | Low Ambient Control | RXAD-A08 | RXAD-A08 | RXAD-A08 | RXAD-A08 | | |
| | | Compressor Crankcase Heater | 44-17402-44 | 44-17402-45 | 44-17402-45 | See Compressor | | |
| | | Compressor Sound Cover | 68-23427-26 | 68-23427-25 | 68-23427-25 | 68-23427-25 | | |
| | | Compressor Hard Start Kit | N/A | N/A | N/A | N/A | | |

| No. | Notes | MODEL COOLING CAPACITY VARIATION | RP14 36 AD1NA | RP14 42 AD1NA | RP14 48 AD1NA | RP14 60 AD1NA | | |
|--------------------|-------|--|-----------------------------|-----------------------------|-----------------------------|-----------------------------|--|--|
| ACCESSORIES | | | | | | | | |
| | | Low Ambient Control | RXAD-A08 | RXAD-A08 | RXAD-A08 | RXAD-A08 | | |
| | | Compressor Crankcase Heater | See Compressor | 44-17402-46 | 44-17402-46 | See Compressor | | |
| | | Compressor Sound Cover | 68-23427-26 | 68-23427-25 | 68-23427-25 | 68-23427-25 | | |
| | | Compressor Hard Start Kit | N/A | N/A | N/A | N/A | | |

| No. | Notes | MODEL COOLING CAPACITY VARIATION | RP14 18 AJ1NA | RP14 24 AJ1NA | RP14 30 AJ1NA | RP14 36 AJ1NA | RP14 42 AJ1NA | RP14 48 AJ1NA |
|--------------------|-------|--|-----------------------------|-----------------------------|-----------------------------|-----------------------------|-----------------------------|-----------------------------|
| ACCESSORIES | | | | | | | | |
| | | Low Ambient Control | RXAD-A08 | RXAD-A08 | RXAD-A08 | RXAD-A08 | RXAD-A08 | RXAD-A08 |
| | | Compressor Crankcase Heater | 44-17402-44 | 44-17402-44 | 44-17402-44 | 44-17402-44 | 44-17402-45 | 44-17402-45 |
| | | Compressor Sound Cover | 68-23427-26 | 68-23427-26 | 68-23427-26 | 68-23427-26 | 68-23427-25 | 68-23427-25 |
| | | Compressor Hard Start Kit | SK-A1 | SK-A1 | SK-A1 | SK-A1 | SK-A1 | SK-A1 |

| No. | Notes | MODEL COOLING CAPACITY VARIATION | RP14 60 AJ1NA | | RP14 18 AJPNA | RP14 24 AJPNA | RP14 30 AJPNA | RP14 36 AJPNA |
|--------------------|-------|--|-----------------------------|--|-----------------------------|-----------------------------|-----------------------------|-----------------------------|
| ACCESSORIES | | | | | | | | |
| | | Low Ambient Control | RXAD-A08 | | RXAD-A08 | RXAD-A08 | RXAD-A08 | RXAD-A08 |
| | | Compressor Crankcase Heater | See Compressor | | 44-17402-44 | 44-17402-44 | 44-17402-44 | 44-17402-44 |
| | | Compressor Sound Cover | 68-23427-25 | | 68-23427-26 | 68-23427-26 | 68-23427-26 | 68-23427-26 |
| | | Compressor Hard Start Kit | SK-A1 | | SK-A1 | SK-A1 | SK-A1 | SK-A1 |

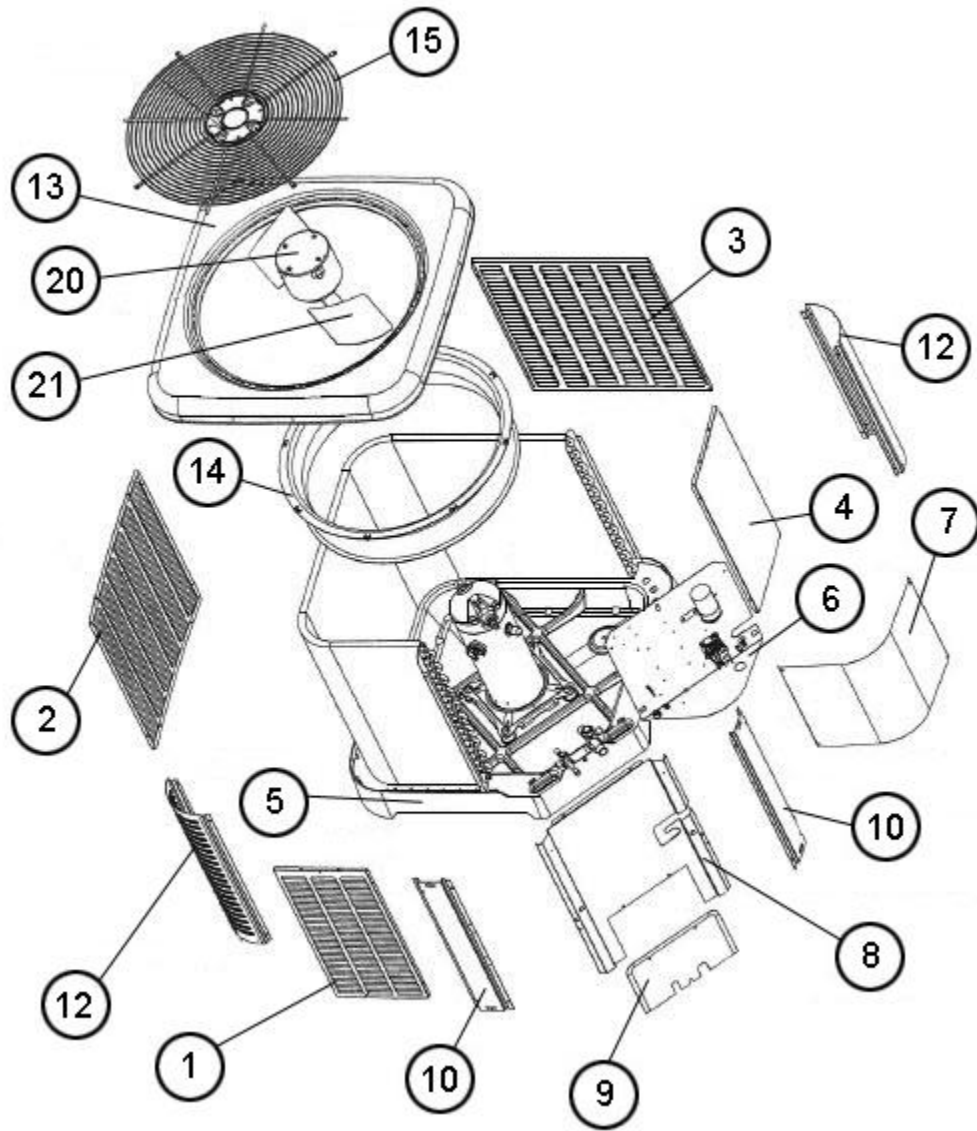
| No. | Notes | MODEL COOLING CAPACITY VARIATION | RP14 42 AJPNA | RP14 48 AJPNA | RP14 60 AJPNA | | | |
|--------------------|-------|--|-----------------------------|-----------------------------|-----------------------------|--|--|--|
| ACCESSORIES | | | | | | | | |
| | | Low Ambient Control | RXAD-A08 | RXAD-A08 | RXAD-A08 | | | |
| | | Compressor Crankcase Heater | 44-17402-45 | 44-17402-45 | 44-17402-45 | | | |
| | | Compressor Sound Cover | 68-23427-25 | 68-23427-25 | 68-23427-25 | | | |
| | | Compressor Hard Start Kit | SK-A1 | SK-A1 | SK-A1 | | | |

| No. | Notes | MODEL COOLING CAPACITY VARIATION | RP14 60 BC1NA | RP14 60 BD1NA | | RP14 18 BJ1NA | RP14 60 BJ1NA | RP14 36 BJPNA |
|--------------------|-------|--|-----------------------------|-----------------------------|--|-----------------------------|-----------------------------|-----------------------------|
| ACCESSORIES | | | | | | | | |
| | | Low Ambient Control | RXAD-A08 | RXAD-A08 | | RXAD-A08 | RXAD-A08 | RXAD-A08 |
| | | Compressor Crankcase Heater | See Compressor | See Compressor | | 44-17402-44 | See Compressor | 44-17402-44 |
| | | Compressor Sound Cover | 68-23427-25 | 68-23427-25 | | 68-23427-26 | 68-23427-25 | 68-23427-26 |
| | | Compressor Hard Start Kit | SK-A1 | N/A | | SK-A1 | SK-A1 | SK-A1 |

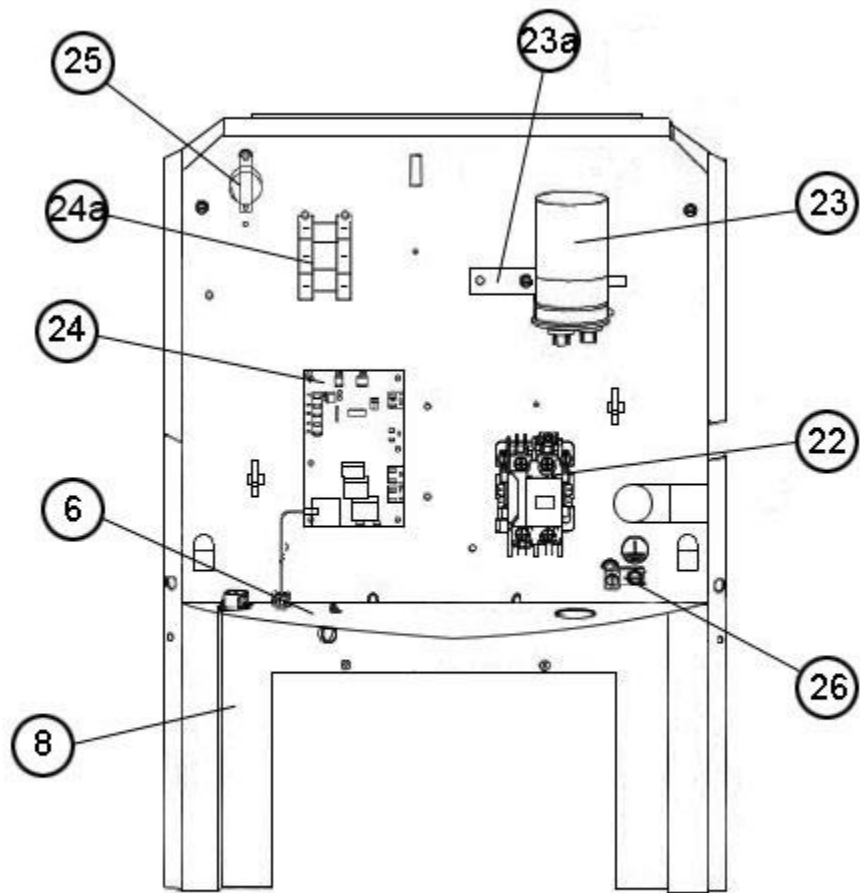
| No. | Notes | MODEL COOLING CAPACITY VARIATION | RP14 42 CC1NA | | RP14 42 CD1NA | | RP14 18 CJ1NA | RP14 42 CJ1NA |
|--------------------|-------|--|-----------------------------|--|-----------------------------|--|-----------------------------|-----------------------------|
| ACCESSORIES | | | | | | | | |
| | | Low Ambient Control | RXAD-A08 | | RXAD-A08 | | RXAD-A08 | RXAD-A08 |
| | | Compressor Crankcase Heater | 44-17402-45 | | 44-17402-46 | | 44-17402-44 | 44-17402-45 |
| | | Compressor Sound Cover | 68-23427-25 | | 68-23427-25 | | 68-23427-26 | 68-23427-25 |
| | | Compressor Hard Start Kit | N/A | | N/A | | SK-A1 | SK-A1 |

| No. | Notes | MODEL COOLING CAPACITY VARIATION | RP14 18 FJ1NA | RP14 24 FJ1NA | RP14 30 FJ1NA | RP14 36 FJ1NA | RP14 42 FJ1NA | RP14 48 FJ1NA |
|--------------------|-------|--|-----------------------------|-----------------------------|-----------------------------|-----------------------------|-----------------------------|-----------------------------|
| ACCESSORIES | | | | | | | | |
| | | Low Ambient Control | RXAD-A08 | RXAD-A08 | RXAD-A08 | RXAD-A08 | RXAD-A08 | RXAD-A08 |
| | | Compressor Crankcase Heater | 44-17402-44 | 44-17402-44 | 44-17402-44 | 44-17402-44 | 44-17402-45 | 44-17402-45 |
| | | Compressor Sound Cover | 68-23427-26 | 68-23427-26 | 68-23427-26 | 68-23427-26 | 68-23427-25 | 68-23427-25 |
| | | Compressor Hard Start Kit | SK-A1 | SK-A1 | SK-A1 | SK-A1 | SK-A1 | SK-A1 |

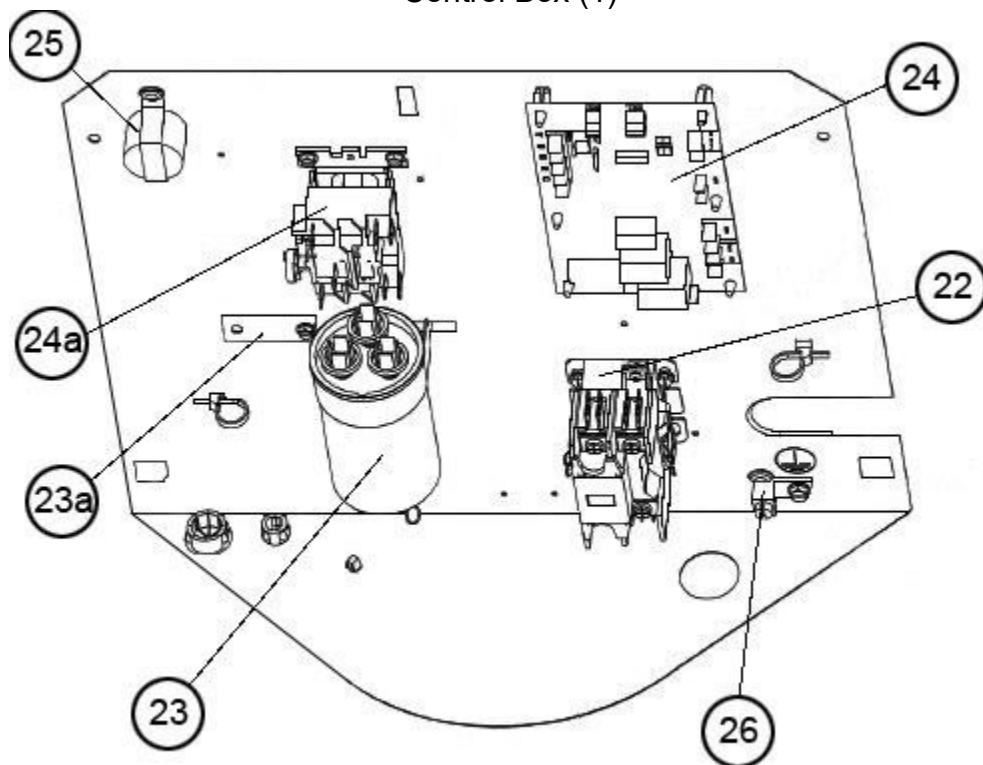
| No. | Notes | MODEL COOLING CAPACITY VARIATION | RP14 60 FJ1NA | | RP14 42 GC1NA | | RP14 18 GJ1NA | RP14 42 GJ1NA |
|--------------------|-------|--|-----------------------------|--|-----------------------------|--|-----------------------------|-----------------------------|
| ACCESSORIES | | | | | | | | |
| | | Low Ambient Control | RXAD-A08 | | RXAD-A08 | | RXAD-A08 | RXAD-A08 |
| | | Compressor Crankcase Heater | See Compressor | | 44-17402-45 | | 44-17402-44 | 44-17402-45 |
| | | Compressor Sound Cover | 68-23427-25 | | 68-23427-25 | | 68-23427-26 | 68-23427-25 |
| | | Compressor Hard Start Kit | SK-A1 | | N/A | | SK-A1 | SK-A1 |



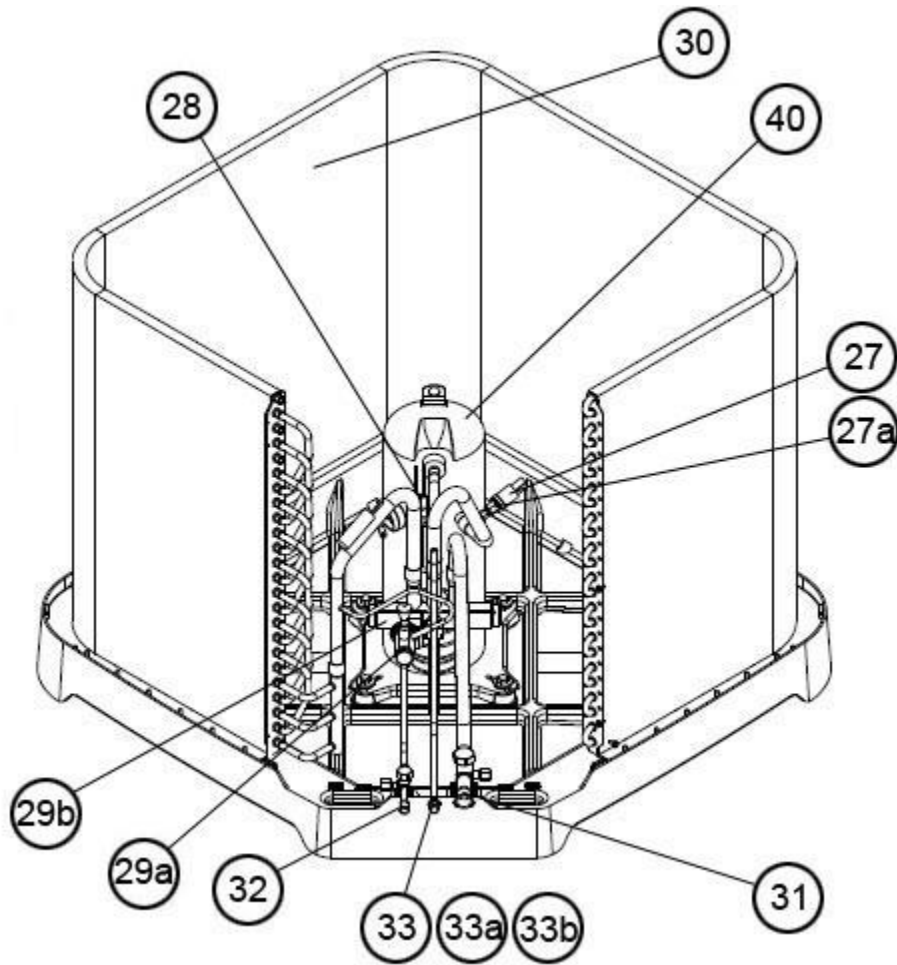
Exploded View



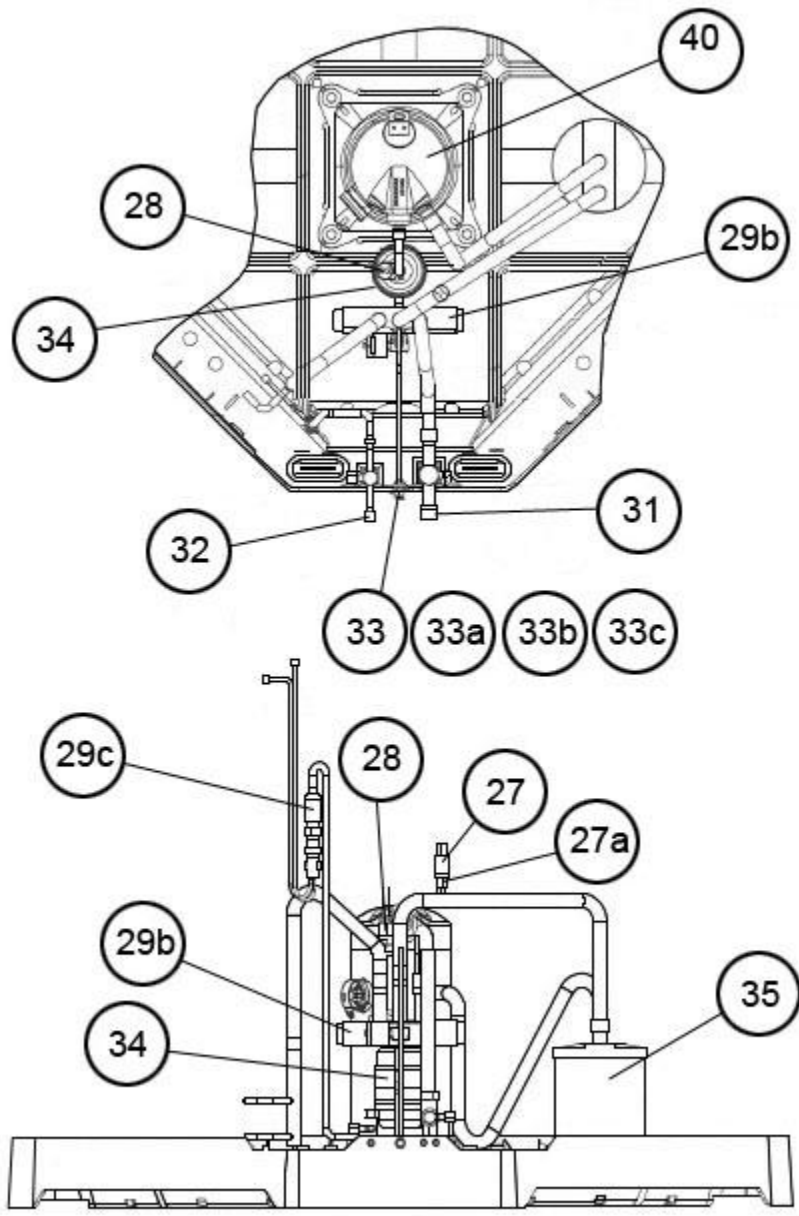
Control Box (1)



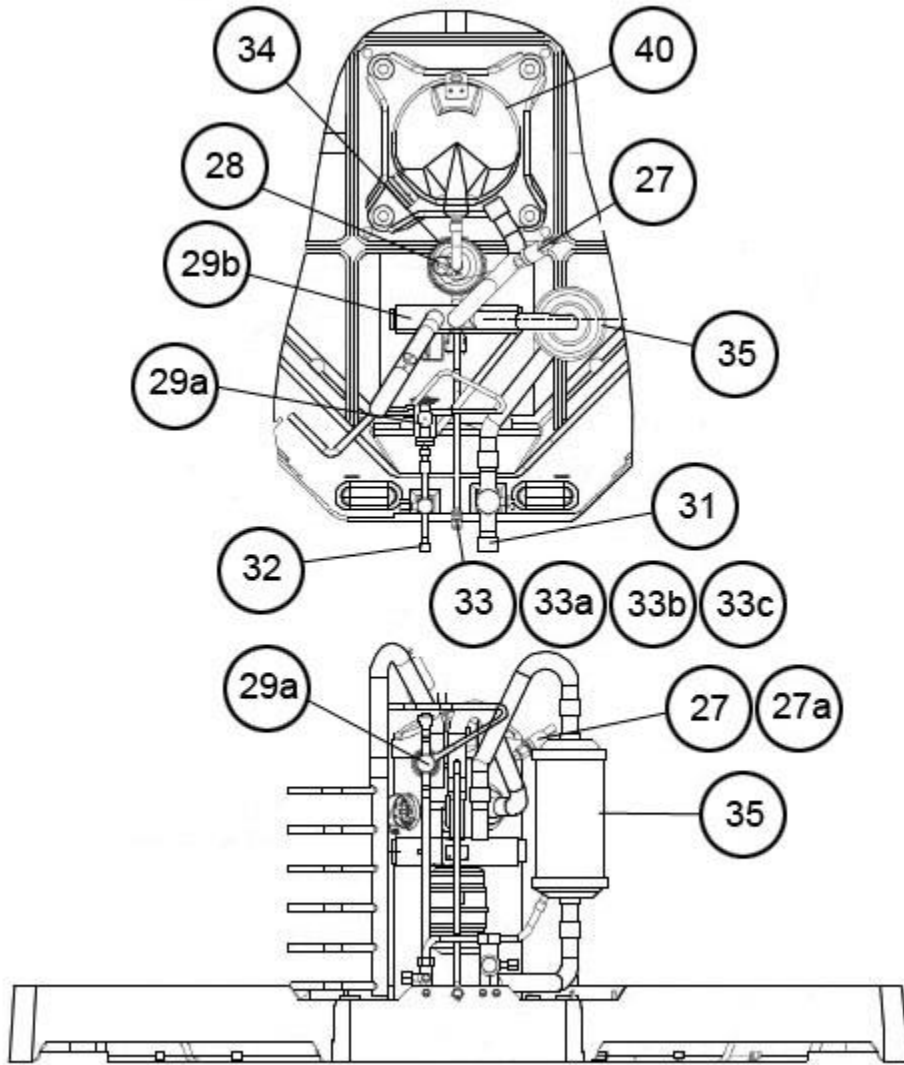
Control Box (2)



Valve Mounting, Compressor



Distributor-Piston Variants



TXV Variants

NOTES

Stk It is recommended that stock be maintained for this part.

N/A Not Applicable

- 1 Production has utilized both Three-phase and Single-phase fan motors on some units. For these, it is necessary to verify motor type before ordering.
- 2 For units produced before W5120, when replacing the grille assembly you will also need to replace the grille center cap at the same time

DISCLAIMER: This document is intended to provide general replacement parts information to aid qualified service personnel in the repair of these models. The complete Model and Serial Number of the unit under repair should be specified when selecting and ordering replacement parts. Specifications and illustrations are subject to change without notice. Document 92-42800-RP14 supersedes all previous parts lists for these models. See <http://www.rheempartslists.net/92-42800-RP14> for the latest revision of this document. The manufacturer assumes no obligation for errors or omissions. Service personnel must verify the proper and safe operation of equipment after the replacement of any original components.