



# RP13

Parts List  
16-April-2018



*This parts list is current as of the above revision date.  
See <http://www.rheempartslists.net/92-42800-RP13.pdf> for the current revision.*

Heat Pumps

# Table of Contents

Model Explanation .....	Page 3
<b>Parts Numbers</b>	
Panels .....	Page 4
Electrical-Fan Group .....	Page 5
Coil Parts .....	Page 6
Compressor Group .....	Page 7
Accessories .....	Page 8
<b>Drawings/Photographs</b>	
Exploded View .....	Page 9
Control Box (1) .....	Page 10
Control Box (2) .....	Page 10
Valve Mounting, Compressor .....	Page 11
Notes/Disclaimer .....	Page 12

**MODEL NUMBER EXPLANATION**

<b>R</b>	<b>P</b>	<b>1</b>	<b>3</b>	<b>3</b>	<b>6</b>	<b>A</b>	<b>C</b>	<b>1</b>	<b>N</b>	<b>A</b>
1	2	3		4		5	6	7	8	9

- |  |  |
|--|--|
| <p>(1) <b>Brand</b></p> <p>(2) <b>Product Category</b><br/>P = Heat Pump</p> <p>(3) <b>Seer</b><br/>13 = 13 SEER</p> <p>(4) <b>COOLING CAPACITY (BTU/HR)</b><br/>036 = 36,000<br/>042 = 42,000<br/>048 = 48,000<br/>060 = 60,000</p> | <p>(5) <b>MAJOR SERIES</b><br/>A = First Design Series</p> <p>(6) <b>VOLTAGE</b><br/>C = 208-230/3/60<br/>D = 460/3/60</p> <p>(7) <b>TYPE</b><br/>1 = Single Stage</p> <p>(8) <b>CONTROLS</b><br/>N = Non-Communicating</p> <p>(9) <b>MINOR SERIES</b><br/>A = First Design Series</p> |
|--|--|

**SERIAL NUMBER EXPLANATION**

<b>W</b>	<b>0</b>	<b>8</b>	<b>1</b>	<b>3</b>	<b>9</b>	<b>9</b>	<b>9</b>	<b>9</b>
(1)	(2)		(3)		(4)			

- (1) **PLANT CODE**  
W = West Nuevo Laredo
- (2) **WEEK OF PRODUCTION**
- (3) **YEAR OF PRODUCTION**
- (4) **PRODUCTION NUMBER**

**Note: For Compressor Identification Number, see Compressor Code on Rating Plate**

No.	Notes	MODEL COOLING CAPACITY VARIATION	RP13	RP13	RP13	RP13
			36 AC1NA	42 AC1NA	48 AC1NA	60 AC1NA
<b>SHEET METAL PARTS, MISCELLANEOUS</b>						
1		Front Panel	AE-104456-03	AE-104456-03	AE-104456-25	AE-104456-43
2		Left Panel (Badge Panel)	AE-104456-21	AE-104456-21	AE-104456-41	AE-104456-56
3		Back Panel	AE-104456-04	AE-104456-04	AE-104456-26	AE-104456-44
4		Right Panel	AE-104456-03	AE-104456-03	AE-104456-25	AE-104456-43
5		Base Pan	68-104457-02	68-104457-02	68-104457-02	68-104457-03
6		Control Box - Before W1017	AE-104461-01	AE-104461-01	AE-104461-01	AE-104461-01
6		Control Box - On or After W1017	AE-104461-05	AE-104461-05	AE-104461-05	AE-104461-05
7		Control Box Cover	AS-104462-01H	AS-104462-01H	AS-104462-01H	AS-104462-01H
8		Control Box Bracket	AS-104460-02H	AS-104460-02H	AS-104460-04H	AS-104460-05H
9		Service Door	AS-104525-01H	AS-104525-01H	AS-104525-01H	AS-104525-01H
10		Center Post (2)	AS-104459-03H	AS-104459-03H	AS-104459-07H	AS-104459-09H
11		Corner Post (2)	AS-104469-02H	AS-104469-02H	AS-104469-04H	AS-104469-05H
12		Corner Post	AS-104469-02H	AS-104469-02H	AS-104469-04H	AS-104469-05H
13		Top Panel	AS-104458-02H	AS-104458-02H	AS-104458-02H	AS-104458-03H
14		Venturi	68-104464-04	68-104464-04	68-104464-04	68-104464-05
15		Grille	95-104620-02	95-104620-02	95-104620-02	95-104620-03
		Center Cap - Blank (for Grille)	91-101123-00	91-101123-00	91-101123-00	91-101123-00
		Service Valve - Suction	See Coil Group			
		Service Valve - Liquid	See Coil Group			
		Touch-up Paint - Granite/Steel Gray (Aerosol)	PD523018	PD523018	PD523018	PD523018
		Touch-up Paint - Granite/Steel Gray (Paint Pens)	PD523019	PD523019	PD523019	PD523019

No.	Notes	MODEL COOLING CAPACITY VARIATION	RP13	RP13	RP13	RP13
			36 AD1NA	42 AD1NA	48 AD1NA	60 AD1NA
<b>SHEET METAL PARTS, MISCELLANEOUS</b>						
1		Front Panel	AE-104456-03	AE-104456-03	AE-104456-25	AE-104456-43
2		Left Panel (Badge Panel)	AE-104456-21	AE-104456-21	AE-104456-41	AE-104456-56
3		Back Panel	AE-104456-04	AE-104456-04	AE-104456-26	AE-104456-44
4		Right Panel	AE-104456-03	AE-104456-03	AE-104456-25	AE-104456-43
5		Base Pan	68-104457-02	68-104457-02	68-104457-02	68-104457-03
6		Control Box - Before W1017	AE-104461-01	AE-104461-01	AE-104461-01	AE-104461-01
6		Control Box - On or After W1017	AE-104461-05	AE-104461-05	AE-104461-05	AE-104461-05
7		Control Box Cover	AS-104462-01H	AS-104462-01H	AS-104462-01H	AS-104462-01H
8		Control Box Bracket	AS-104460-02H	AS-104460-02H	AS-104460-04H	AS-104460-05H
9		Service Door	AS-104525-01H	AS-104525-01H	AS-104525-01H	AS-104525-01H
10		Center Post (2)	AS-104459-03H	AS-104459-03H	AS-104459-07H	AS-104459-09H
11		Corner Post (2)	AS-104469-02H	AS-104469-02H	AS-104469-04H	AS-104469-05H
12		Corner Post	AS-104469-02H	AS-104469-02H	AS-104469-04H	AS-104469-05H
13		Top Panel	AS-104458-02H	AS-104458-02H	AS-104458-02H	AS-104458-03H
14		Venturi	68-104464-04	68-104464-04	68-104464-04	68-104464-05
15		Grille	95-104620-02	95-104620-02	95-104620-02	95-104620-03
		Center Cap - Blank (for Grille)	91-101123-00	91-101123-00	91-101123-00	91-101123-00
		Service Valve - Suction	See Coil Group			
		Service Valve - Liquid	See Coil Group			
		Touch-up Paint - Granite/Steel Gray (Aerosol)	PD523018	PD523018	PD523018	PD523018
		Touch-up Paint - Granite/Steel Gray (Paint Pens)	PD523019	PD523019	PD523019	PD523019

No.	Notes	MODEL COOLING CAPACITY VARIATION	RP13 36 AC1NA	RP13 42 AC1NA	RP13 48 AC1NA	RP13 60 AC1NA
<b>ELECTRICAL/FAN GROUP</b>						
20	Stk	Fan Motor - Before W1017	51-102008-20	51-101774-31	51-102008-07	51-101774-12
20	Stk	Fan Motor - On or after W1017	51-101774-52	51-101774-31	51-102008-34	51-101774-12
21	Stk	Fan Blade	70-102011-12	70-102011-09	70-101323-30	70-101323-29
22	Stk	Contactactor	42-102664-14	42-102664-14	42-102664-14	42-102664-14
23		Capacitor	See Compressor Group			
23a		Capacitor Strap	AE-104562-01	AE-104562-01	AE-104562-01	AE-104562-01
24	Stk	Defrost Control Board	47-102685-06	47-102685-07	47-102685-06	47-102685-06
24a		Relay	N/A	N/A	N/A	N/A
25		Crankcase Heater	See Compressor Group			
26		Grounding Lug	45-19000-01	45-19000-01	45-19000-01	45-19000-01
		Low Ambient Control	See Accessories Group			
		Low Ambient Sensor	47-102709-01	47-102709-01	47-102709-01	47-102709-01
27	Stk	Low Pressure Control	47-103670-05	47-103670-05	47-103670-05	47-103670-05
27a		Service Port - Low Pressure Control	61-18542-01	61-18542-01	61-18542-01	61-18542-01
28	Stk	High Pressure Control	47-103669-01	47-103669-01	47-103669-01	47-103669-01

No.	Notes	MODEL COOLING CAPACITY VARIATION	RP13 36 AD1NA	RP13 42 AD1NA	RP13 48 AD1NA	RP13 60 AD1NA
<b>ELECTRICAL/FAN GROUP</b>						
20	Stk	Fan Motor (Three-phase) - See Note 1	51-102008-24	51-102008-32	N/A	N/A
20	Stk	Fan Motor (Single-phase) - See Note 1	N/A	51-101774-37	51-101774-38	51-101774-34
21	Stk	Fan (Three-phase Motor) - See Note 1	70-102011-12	43-101666-65	N/A	N/A
21	Stk	Fan (Single-phase Motor) - See Note 1	N/A	43-101666-65	70-101323-30	70-101323-29
22	Stk	Contactactor	42-102664-14	42-102664-14	42-102664-14	42-102664-14
23		Capacitor (Single-phase Motor) - See Note 1	N/A	43-101666-65	43-101666-65	43-101666-65
23a		Capacitor Strap	AE-104562-01	AE-104562-01	AE-104562-01	AE-104562-01
24	Stk	Defrost Control Board	47-102685-07	47-102685-07	47-102685-07	47-102685-07
24a		Relay	42-19737-01	42-19737-01	42-19737-01	42-19737-01
25		Crankcase Heater	See Compressor Group			
26		Grounding Lug	45-19000-01	45-19000-01	45-19000-01	45-19000-01
		Low Ambient Control	See Accessories Group			
		Low Ambient Sensor	47-102709-01	47-102709-01	47-102709-01	47-102709-01
27	Stk	Low Pressure Control	47-103670-05	47-103670-05	47-103670-05	47-103670-05
27a		Service Port - Low Pressure Control	61-18542-01	61-18542-01	61-18542-01	61-18542-01
28	Stk	High Pressure Control	47-103669-01	47-103669-01	47-103669-01	47-103669-01

No.	Notes	MODEL COOLING CAPACITY VARIATION	RP13	RP13	RP13	RP13
			36 AC1NA	42 AC1NA	48 AC1NA	60 AC1NA
<b>COIL GROUP</b>						
30	Stk	Condenser Coil	AS-105001-03	AS-105001-03	AS-105034-03	AS-105003-03
31		Service Valve - Suction	<a href="#">61-104914-03</a>	61-104914-04	61-104914-04	61-104914-04
32		Service Valve - Liquid	61-104914-01	<a href="#">61-104914-05</a>	61-104914-01	61-104914-01
33		Bulkhead Valve	<a href="#">61-22369-04</a>	<a href="#">61-22369-04</a>	<a href="#">61-22369-04</a>	<a href="#">61-22369-04</a>
33a		Valve Core	61-18551-01	61-18551-01	61-18551-01	61-18551-01
33b		Valve Cap	83-100635-01	83-100635-01	83-100635-01	83-100635-01
		Locknut - Bulkhead Valve	63-22368-01	63-22368-01	63-22368-01	63-22368-01
27	Stk	Low Pressure Control	See Electrical Group			
28	Stk	High Pressure Control	See Electrical Group			
	Stk	Filter Drier	83-41719-02	83-41719-02	83-41719-04	83-41719-04
		Charge Compensator	N/A	83-104499-02	N/A	83-104499-12
29a	Stk	TXV/Distributor Assembly	61-105025-04	61-105025-05	61-105025-06	61-105025-07
29b	Stk	Reversing Valve	<a href="#">61-102498-09</a>	<a href="#">61-102498-09</a>	<a href="#">61-102498-06</a>	<a href="#">61-102498-06</a>
	Stk	Solenoid Coil - Reversing Valve	<a href="#">61-101713-92</a>	<a href="#">61-101713-92</a>	<a href="#">61-101713-92</a>	<a href="#">61-101713-92</a>
		Wiring Harness - Reversing Valve (Before W0917)	61-26149-03	61-26149-03	61-26149-03	61-26149-03
		Wiring Harness - Reversing Valve (On or After W0917)	61-26149-05	61-26149-05	61-26149-05	61-26149-05

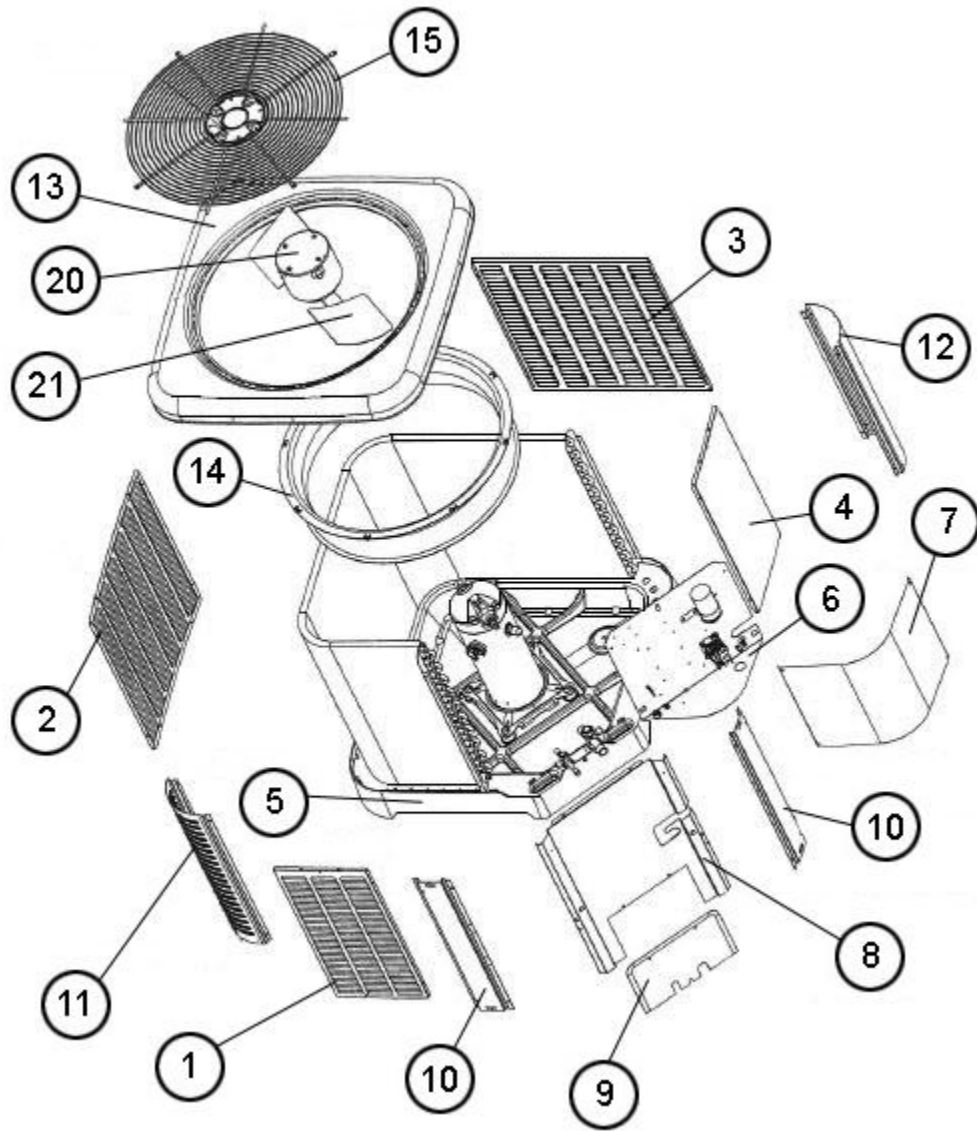
No.	Notes	MODEL COOLING CAPACITY VARIATION	RP13	RP13	RP13	RP13
			36 AD1NA	42 AD1NA	48 AD1NA	60 AD1NA
<b>COIL GROUP</b>						
30	Stk	Condenser Coil	AS-105001-03	AS-105001-03	AS-105034-03	AS-105003-03
31		Service Valve - Suction	<a href="#">61-104914-03</a>	61-104914-04	61-104914-04	61-104914-04
32		Service Valve - Liquid	<a href="#">61-104914-05</a>	<a href="#">61-104914-05</a>	<a href="#">61-104914-05</a>	<a href="#">61-104914-05</a>
33		Bulkhead Valve	<a href="#">61-22369-04</a>	<a href="#">61-22369-04</a>	<a href="#">61-22369-04</a>	<a href="#">61-22369-04</a>
33a		Valve Core	61-18551-01	61-18551-01	61-18551-01	61-18551-01
33b		Valve Cap	83-100635-01	83-100635-01	83-100635-01	83-100635-01
		Locknut - Bulkhead Valve	63-22368-01	63-22368-01	63-22368-01	63-22368-01
27	Stk	Low Pressure Control	See Electrical Group			
28	Stk	High Pressure Control	See Electrical Group			
	Stk	Filter Drier	83-41719-02	83-41719-02	83-41719-02	83-41719-02
		Charge Compensator	N/A	83-104499-02	N/A	83-104499-12
29a	Stk	TXV/Distributor Assembly	61-105025-04	61-105025-05	61-105025-06	61-105025-07
29b	Stk	Reversing Valve	<a href="#">61-102498-09</a>	<a href="#">61-102498-09</a>	<a href="#">61-102498-06</a>	<a href="#">61-102498-06</a>
	Stk	Solenoid Coil - Reversing Valve	<a href="#">61-101713-92</a>	<a href="#">61-101713-92</a>	<a href="#">61-101713-92</a>	<a href="#">61-101713-92</a>
		Wiring Harness - Reversing Valve (Before W0917)	61-26149-03	61-26149-03	61-26149-03	61-26149-03
		Wiring Harness - Reversing Valve (On or After W0917)	61-26149-05	61-26149-05	61-26149-05	61-26149-05

No.	Notes	MODEL COOLING CAPACITY VARIATION	RP13 36 AC1NA	RP13 42 AC1NA	RP13 48 AC1NA	RP13 60 AC1NA
<b>COMPRESSOR GROUP</b>						
		<b>Compressor ID:</b>	<b>9070</b>	<b>9071</b>	<b>9072</b>	<b>9073</b>
40	Stk	Compressor	55-102045-132S	55-102045-133	55-102045-134S	55-102045-130S
		Compressor Grommet (4)	56-18518-04	56-18518-06	56-18518-06	56-18518-06
		Compressor Bolt (4)	63-20072-07	63-20072-07	63-20072-07	63-20072-07
23	Stk	Capacitor - Fan	43-101666-65	43-101666-65	43-101666-62	43-101666-65
	Stk	Compressor Wiring Harness (Molded Plug)	<a href="#">45-100834-80</a>	<a href="#">45-100834-80</a>	<a href="#">45-100834-80</a>	<a href="#">45-100834-80</a>
25		Crankcase Heater	See Accessories Group			44-103663-13
		Muffler	83-104416-01	83-104416-01	83-104416-01	83-104416-01
		Filter Drier	See Coil Group			
		Charge Compensator	See Coil Group			

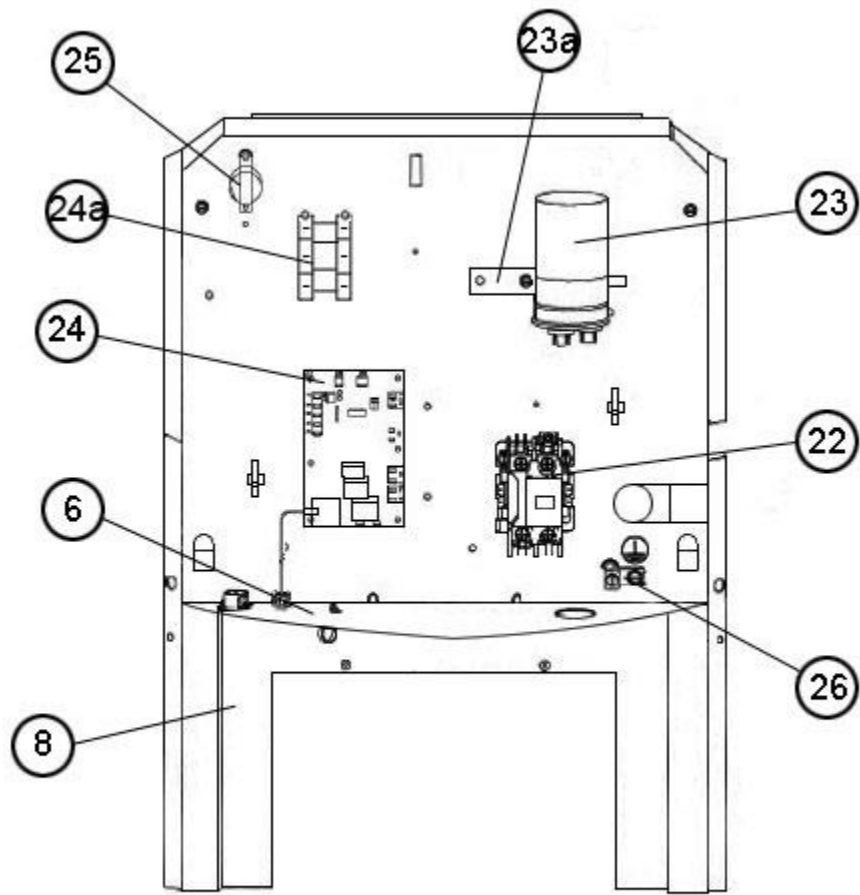
No.	Notes	MODEL COOLING CAPACITY VARIATION	RP13 36 AD1NA	RP13 42 AD1NA	RP13 48 AD1NA	RP13 60 AD1NA
<b>COMPRESSOR GROUP</b>						
		<b>Compressor ID:</b>	<b>9098</b>	<b>9099</b>	<b>9100</b>	<b>9101</b>
40	Stk	Compressor	55-102045-135S	55-102045-136	55-102045-137S	55-102045-131S
		Compressor Grommet (4)	56-18518-04	56-18518-06	56-18518-06	56-18518-06
		Compressor Bolt (4)	63-20072-07	63-20072-07	63-20072-07	63-20072-07
23		Capacitor - Fan	See Electrical Group			
	Stk	Compressor Wiring Harness (Molded Plug)	<a href="#">45-100834-80</a>	<a href="#">45-100834-80</a>	<a href="#">45-100834-80</a>	<a href="#">45-100834-80</a>
25		Crankcase Heater	See Accessories Group			44-101884-06
		Muffler	83-104416-01	83-104416-01	83-104416-01	83-104416-01
		Filter Drier	See Coil Group			
		Charge Compensator	See Coil Group			

No.	Notes	MODEL COOLING CAPACITY VARIATION	RP13 36 AC1NA	RP13 42 AC1NA	RP13 48 AC1NA	RP13 60 AC1NA
<b>ACCESSORIES</b>						
		Low Ambient Control	RXAD-A08	RXAD-A08	RXAD-A08	RXAD-A08
		Compressor Crankcase Heater	44-17402-44	44-17402-45	44-17402-45	See Compressor Group
		Compressor Sound Cover	<a href="#">68-23427-26</a>	<a href="#">68-23427-25</a>	<a href="#">68-23427-25</a>	<a href="#">68-23427-25</a>

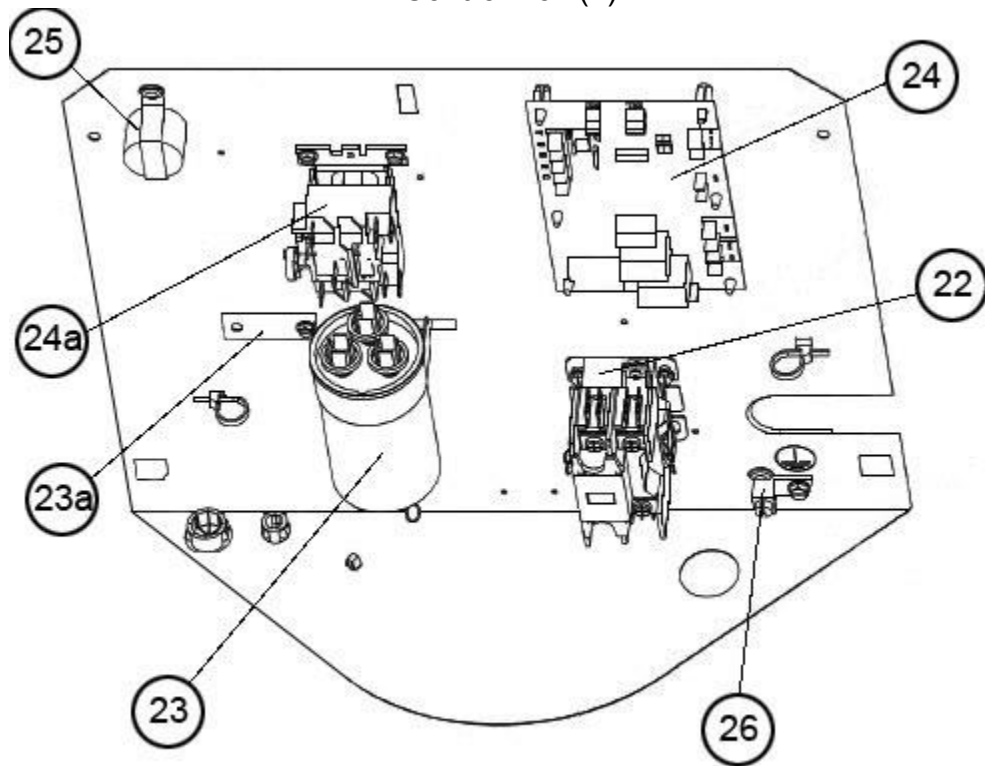
No.	Notes	MODEL COOLING CAPACITY VARIATION	RP13 36 AD1NA	RP13 42 AD1NA	RP13 48 AD1NA	RP13 60 AD1NA
<b>ACCESSORIES</b>						
		Low Ambient Control	RXAD-A08	RXAD-A08	RXAD-A08	RXAD-A08
		Compressor Crankcase Heater	442040	44-17402-46	44-17402-46	See Compressor Group
		Compressor Sound Cover	<a href="#">68-23427-26</a>	<a href="#">68-23427-25</a>	<a href="#">68-23427-25</a>	<a href="#">68-23427-25</a>



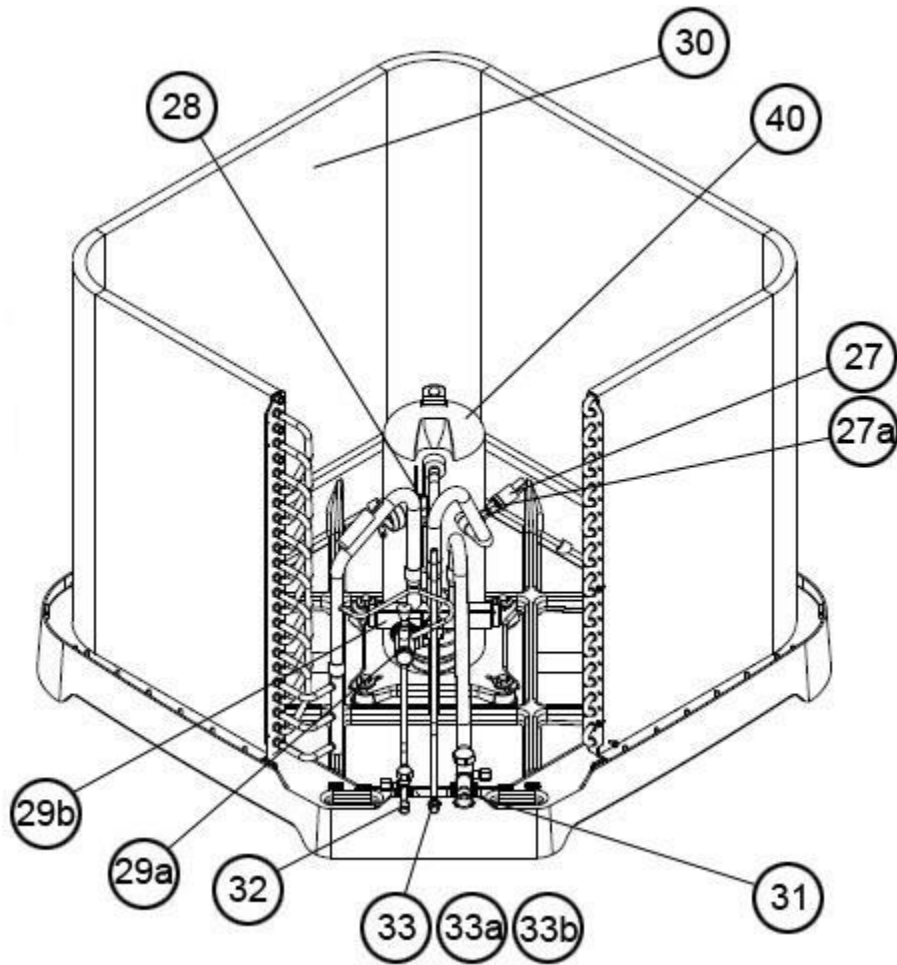
Exploded View



Control Box (1)



Control Box (2)



Valve Mounting, Compressor

# NOTES

Stk It is recommended that stock be maintained for this part.

N/A Not Applicable

- 1 Production has utilized both Three-phase and Single-phase fan motors on some units. For these, it is necessary to verify motor type before ordering.

**DISCLAIMER:** This document is intended to provide general replacement parts information to aid qualified service personnel in the repair of these models. The complete Model and Serial Number of the unit under repair should be specified when selecting and ordering replacement parts. Specifications and illustrations are subject to change without notice. Document 92-42800-RP13 supersedes all previous parts lists for these models. See <http://www.rheempartslists.net/92-42800-RP13> for the latest revision of this document. The manufacturer assumes no obligation for errors or omissions. Service personnel must verify the proper and safe operation of equipment after the replacement of any original components.