



RLRL-H

Parts List
15-May-2020



*This parts list is current as of the above revision date.
See <http://www.rheempartslists.net/92-42800-RLRL-H.pdf> for the current revision.*

Package Air Conditioners - Commercial

Table of Contents

Model Explanation	Page 3
Parts Numbers	
Panels - Miscellaneous 090-120 (1)	Page 4
Panels - Miscellaneous 090-120 (2)	Page 5
Panels - Miscellaneous 180 (1)	Page 6
Panels - Miscellaneous 180 (2)	Page 7
Panels - Miscellaneous 240 (1)	Page 8
Panels - Miscellaneous 240 (2)	Page 9
Electrical Group 090	Page 10
Electrical Group 120	Page 11
Electrical Group 180	Page 12
Electrical Group 240	Page 13
Fan Group	Page 14
Blower Group 090-120	Page 15
Blower Group 180-240	Page 16
Coil Parts 090-120	Page 17
Coil Parts 180	Page 18
Coil Parts 240	Page 19
Compressor Group 090-120	Page 20
Compressor Group 180-240	Page 21
Heater Kits	Page 22
Accessories 090-120	Page 23
Accessories 180-240	Page 24
Drawings/Photographs	
Exploded View 090-120	Page 25
Exterior - Front 090-120	Page 26
Exterior - Back 090-120	Page 26
Filter-Coil Assembly 090-120	Page 27
Condenser Coil Assembly 090-120	Page 27
Front Panel Brackets 090-120	Page 28
Filter Frame Assembly 090-120	Page 29
Blower Assembly 090-120	Page 30
Control Box 090-120	Page 31
Exterior - Front 180	Page 32
Exterior - Back 180	Page 32
Front Panel Brackets 180	Page 33
Heat Compartment 180	Page 34
Condenser Bulkhead 180	Page 34
Base Pan Assembly 180-240	Page 35
Base Rail Assembly 180-240	Page 35
Control Box 180-240	Page 36
Interior - Front 180	Page 37
Filter Frame Assembly 180-240	Page 37
Condenser Coil - 180	Page 38
Condenser Coil Airstop - 180	Page 39
Blower Assembly 180-240	Page 40
Exterior - Front 240	Page 42
Exterior - Back 240	Page 42
Front Panel Brackets 240	Page 43
Interior - Coil (Airstop) 240	Page 44
Heat Compartment 240	Page 45
Condenser Bulkhead 240	Page 45
Notes/Disclaimer	Page 46

MODEL NUMBER EXPLANATION

R	L	R	L	-	H	090	C	R	000	AA	B
1	2	3	4		5	6	7	8	9	10	11

- | | | |
|---|---|--|
| <p>1 TRADE NAME</p> <p>2 L = PACKAGE AIR CONDITIONER
L = Commercial</p> <p>3 EFFICIENCY DESIGNATION
R = Consortium for Energy Efficiency Compliant</p> <p>4 DESIGN SERIES
L = R-410A</p> <p>5 TECHNICAL VARIATION
H = DDC W/VFD</p> <p>6 COOLING CAPACITY (BTUH)
090 = 90,000
120 = 120,000
180 = 180,000
240 = 240,000</p> <p>7 ELECTRICAL DESIGNATION
C = 208-230/3/60
D = 460/3/60
Y = 575/3/60</p> | <p>8</p> <p>9</p> <p>10</p> <p>11</p> | <p>DRIVE PACKAGE
R = VFD - Belt Drive
S = VFD - Belt Drive - High Static
T = VFD - Belt Drive (-C090) Only</p> <p>ELECTRIC HEAT- (Resistance Heat)
000 = No Resistance Heat
010 = 10 kW Resistance Heat
015 = 15 kW Resistance Heat
020 = 20 kW Resistance Heat
030 = 30 kW Resistance Heat
040 = 40 kW Resistance Heat
050 = 50 kW Resistance Heat
060 = 60 kW Resistance Heat
075 = 75 kW Resistance Heat</p> <p>OPTION CODES
AA = No Options</p> <p>ECONOMIZER OPTIONS
A = No Economizer
H = Single Enthalpy Economizer
with DDC, Barometric Relief
J = H (above) with Smoke Detector</p> |
|---|---|--|

SERIAL NUMBER EXPLANATION

1234	F	50	08	00001
1	2	3	4	5

- | | |
|---|---|
| <p>1</p> <p>2</p> <p>3</p> <p>4</p> <p>5</p> | <p>COMPRESSOR IDENTIFICATION NUMBER</p> <p>PRODUCTION LOCATION:</p> <p>WEEK OF PRODUCTION</p> <p>YEAR OF PRODUCTION</p> <p>PRODUCTION NUMBER</p> |
|---|---|

No.	Notes	MODEL TECHNICAL VARIATION COOLING CAPACITY	RLRL- H 090	RLRL- H 120
PANELS - RAILS, BASE PANS, INSIDE CABINET				
BASE RAILS:				
A		Base Rail - Front	AE-90575-15	AE-90575-15
B		Base Rail - Right	AE-90576-03	AE-90576-03
C		Base Rail - Rear	AE-90575-04	AE-90575-04
D		Base Rail - Left	AE-90576-04	AE-90576-04
BASE PANS:				
E		Outdoor Coil Base Pan (includes insulation)	AS-90577-14H	AS-90577-23H
F		Indoor Coil Base Pan (includes insulation)	AS-90577-12	AS-90577-12
INSIDE CABINET:				
G		Entry Plate	AE-90614-02	AE-90614-02
H		Entry Plate	AE-90614-01	AE-90614-01
J		Heat Compartment Side	AE-90598-09	AE-90598-09
K		Blower Deck	AS-90592-13	AS-90592-13
L		Wireway	AE-90718-05	AE-90718-05
M		Condenser Bulkhead (includes insulation)	AS-90609-23	AS-90609-36

No.	Notes	MODEL TECHNICAL VARIATION COOLING CAPACITY	RLRL- H 090	RLRL- H 120
PANELS - FRONT				
1		Control Box Door Assembly - w/Hinges, Latch, Gasket, Insulation	AS-102872-14H	AS-102872-23H
2a		Bracket - Top Panel (Left)	AS-102859-16H	AS-102859-16H
2b		Bracket - Top Panel (Center)	AS-102859-15H	AS-102859-15H
2c		Post - Blower Section	AS-102682-12H	AS-102682-15H
3a		Bracket - Bottom Panel (Left)	AS-102859-17H	AS-102859-17H
3b		Bracket - Blower/Heater Compartment	AS-102859-14H	AS-102859-14H
3c		Bracket - Bottom Panel (Right)	AS-102859-13H	AS-102859-13H
		Latch Assembly - Control Box Door (2)	64-103465-01	64-103465-01
4		Post Assembly - Indoor Coil Section	AS-90620-24H	AS-90620-25H
5		Control Box Cover	AE-90713-02	AE-90713-06
6		Control Mounting Panel	AE-90712-06	AE-90712-06
7a		Low Voltage Shield - Upper Angled	AE-90742-12	AE-90742-12
7b		Low Voltage Shield - Lower	AE-90742-11	AE-90742-13
7c		Low Voltage Shield - Middle Strip	AE-90742-09	AE-90742-14
8		Control Box Back Insulation Assembly	AS-90601-06	AS-90601-07
9		Mounting Bracket	AE-90779-02	AE-90779-02
10		Electric Heat Blockoff Plate Assembly (models with no heat)	AS-90720-02	AS-90720-02
11		Terminal Block	See Electrical Group	
12		Electric Heat Access Panel Assembly - w/Hinges, Latch, Gasket, Insulation	AS-102872-18H	AS-102872-18H
		Latch Assembly - Electric Heat Door (2)	64-103465-01	64-103465-01
13		Power Entry Plate Assembly	AS-90774-11H	AS-90774-11H
14		Blower Access Panel Assembly - w/Hinges, Latch, Gasket, Insulation	AS-102872-16H	AS-102872-22H
		Latch Assembly - Blower Access Panel (3)	64-103465-01	64-103465-01
16		Heat Mounting Frame Assembly	AS-90754-02	AS-90754-02
17		Condenser Coil Access Panel-Front	AS-90631-11H	AS-90631-18H
18		Front Corner Post	AS-90701-05H	AS-90701-10H

No.	Notes	MODEL TECHNICAL VARIATION COOLING CAPACITY	RLRL- H 090	RLRL- H 120
PANELS - RIGHT, REAR AND LEFT SIDES				
RIGHT:				
19		Air Stop	N/A	N/A
20		Louver Panel Assembly	AS-90789-01H	AS-90789-08H
REAR:				
21		Rear Corner Post	AS-90702-04H	AS-90702-08H
22		Condenser Coil Access Panel-Rear	AS-90631-12H	AS-90631-19H
23		Rear Panel	AS-90618-02H	AS-90618-09H
24		Supply Cover	AS-90626-02H	AS-90626-02H
25		Return Cover	AS-90628-02H	AS-90628-02H
LEFT:				
26		Upper Left Panel	AS-90624-03H	AS-90624-03H
27		Lower Left Panel	AS-90624-04H	AS-90624-04H
28		Left Corner Panel	AS-90755-07H	AS-90755-08H
29		Plate - Receptacle	AS-90756-02H	AS-90756-02H
30		Plate - Disconnect	AS-90756-03H	AS-90756-03H
31		Button Plug (2)	45-22980-06	45-22980-06
32		Button Plug	45-22980-05	45-22980-05
TOP:				
33		Top Panel Assembly	AS-90616-06H	AS-90616-06H
34		Condenser Top Panel	AS-90703-08H	AS-90703-08H
35		Venturi	AS-90632-03H (2)	AS-90632-03H (2)
36		Wire Grille	95-100906-09 (2)	95-100906-09 (2)
43		Drain Pan - Removable	See Coil Group	

No.	Notes	MODEL TECHNICAL VARIATION COOLING CAPACITY	RLRL- H 180
PANELS - RAILS, BASE PANS, INSIDE CABINET			
BASE RAILS:			
A		Front	AS-90827-03
B		Right	AE-90576-06
C		Rear	AS-90827-04
D		Left	AE-90576-05
BASE PANS:			
E		Outdoor Base Pan (includes insulation)	AS-90577-16H
F		Indoor Coil Base Pan - Return Air (includes insulation)	AS-90577-09
G		Indoor Coil Base Pan - Supply Air (includes insulation)	AS-90577-10
INSIDE CABINET PANEL/PIECES:			
H 1		Entry Plate	AE-90614-01
H 2		Entry Plate - Rooftop	AE-90614-01
J		Heat Compartment Side	AE-90598-08
K		Blower Deck Assembly	AS-90592-11
L		Wireway	AE-90718-04
M		Condenser Bulkhead (includes insulation)	AS-90609-33
O		Bulkhead Support	AE-102725-01
P		Primary Drain Pan	AS-103030-02
		Air Stop - Outdoor Coil- Front	AE-90706-21
		Air Stop - Outdoor Coil- Rear	AE-90706-20
U		Coil Support Top	AE-102700-07
V		Angle - Tube Support (2)	N/A

No.	Notes	MODEL TECHNICAL VARIATION COOLING CAPACITY	RLRL- H 180
PANELS - FRONT AND RIGHT SIDES			
1		Control Box Door Assembly - w/Hinges, Gasket, Insulation	AS-102872-04H
2a		Bracket - Top Panel (Left)	AS-102859-01H
2b		Bracket - Top Panel (Center)	AS-102969-01H
2c		Post - Blower Section	AS-102682-21H
3a		Bracket - Bottom Panel (Left)	AS-102859-02H
3b		Bracket - Blower/Heater Compartment	AS-102859-11H
3c		Bracket - Bottom Panel (Right)	AS-102859-12H
4		Post Assembly - Indoor Coil Section	AS-90620-15H
5		Control Box Cover	AE-90713-05
6		Control Mounting Panel	AE-90712-05
7a		Low Voltage Shield - Control Box (Upper Right)	AE-90742-07
7b		Low Voltage Shield - Control Box (Lower Left)	AE-90742-06
7c		Thermostat Chase Cover	AE-102722-01
8		Control Box Back	AS-90601-05
9		Mounting Bracket	AE-90779-02
12		Electric Heat Access Panel Assembly - w/Hinges, Gasket	AS-102872-06H
		Electric Heat Blockoff Plate Assembly (models with no heat)	AS-90720-03
13		Power Entry Plate Assembly	AS-90774-13H
14		Blower Access Panel Assembly - w/Hinges, Gasket, Insulation	AS-102872-02H
16		Mounting Frame - Heat Exchanger Frame	AS-90754-04
17		Condenser Coil Access Panel - Front	AS-90734-14H
38		Post - Outdoor Coil (Front)	
39		Post - Outdoor Coil (Rear)	See Coil Group

No.	Notes	MODEL TECHNICAL VARIATION COOLING CAPACITY	RLRL- H 180
PANELS - REAR, LEFT, AND TOP			
REAR:			
22		Condenser Coil Access Panel-Rear	AS-90734-15H
23		Rear Panel - Right	AS-90618-10H
24		Supply Cover	AS-90628-03H
25		Return Cover	AS-90628-04H
LEFT:			
26		Upper Left Panel	AS-90624-09H
27		Lower Left Panel	AS-90624-08H
28		Left Corner Panel Assembly	AS-90755-05H
		Bracket - Left Corner Panel Assembly (2)	AE-90779-01
		Gasket for receptacle plate	68-42514-08
		Gasket for disconnect plate	68-42514-09
29		Plate - Install inside Panel-Receptacle	AS-90756-02H
30		Plate - Install inside Panel-Disconnect	AS-90756-03H
31		Button Plug (3)	45-42558-01
32		Star Bushing (3)	45-18515-01
TOP:			
33a		Top Panel Assembly - Right	AS-90616-04H
33b		Top Panel Assembly - Left	AS-90616-05H
34		Top Panel	AS-90703-11H
35		Venturi	AS-90632-03H (3)
36		Wire Grille	95-100906-09 (3)
43		Drain Pan - Removable	See Coil Group

No.	Notes	MODEL TECHNICAL VARIATION COOLING CAPACITY	RLRL- H 240
PANELS - RAILS, BASE PANS, INSIDE CABINET			
BASE RAILS:			
A		Front	AS-90827-03
B		Right	AE-90576-06
C		Rear	AS-90827-04
D		Left	AE-90576-05
BASE PANS:			
E		Outdoor Base Pan (includes insulation and coil support top)	AS-90577-24H
F		Indoor Coil Base Pan - Return Air (includes insulation)	AS-90577-09
G		Indoor Coil Base Pan - Supply Air (includes insulation)	AS-90577-10
INSIDE CABINET PANEL/PIECES:			
H 1		Entry Plate	AE-90614-01
H 2		Entry Plate - Rooftop	AE-90614-02
I		Post - Blower Section	AS-102682-07H
J		Heat Compartment Side	AE-90598-08
K		Blower Deck Assembly	AS-90592-11
L		Wireway	AE-90718-04
M		Condenser Bulkhead	AS-90609-17
N		Divider Panel - Between Coils	AE-90735-05
O		Bulkhead Support	AE-102725-01
P		Primary Drain Pan	AS-103030-02
		Air Stop - Outdoor Coil- Front	AE-90706-13
		Air Stop - Outdoor Coil- Rear	AE-90706-12
U		Coil Support Top	AE-102700-03
V		Angle - Tube Support (2)	N/A

No.	Notes	MODEL TECHNICAL VARIATION COOLING CAPACITY	RLRL- H 240
PANELS - FRONT AND RIGHT SIDES			
1		Control Box Door Assembly - w/Hinges, Latch, Gasket, Insulation	AS-102872-04H
2a		Bracket - Top Panel (Left)	AS-102859-01H
2b		Bracket - Top Panel (Center)	AS-102969-01H
2c		Post - Blower Section	AS-102682-07H
3a		Bracket - Bottom Panel (Left)	AS-102859-02H
3b		Bracket - Blower/Heater Compartment	AS-102859-11H
3c		Bracket - Bottom Panel (Right)	AS-102859-12H
4		Post Assembly - Indoor Coil Section	AS-90620-15H
5		Control Box Cover	AE-90713-05
6		Control Mounting Panel	AE-90712-05
7a		Low Voltage Shield - Control Box (Upper Right)	AE-90742-07
7b		Low Voltage Shield - Control Box (Lower Left)	AE-90742-06
7c		Thermostat Chase Cover	AE-102722-01
8		Control Box Back	AS-90601-05
9		Mounting Bracket	AE-90779-02
10		Electric Heat Blockoff Plate Assembly (models with no heat)	AS-90720-03
11		Terminal Block - Heat Compartment	See Electrical Group
12		Electric Heat Access Panel Assembly - w/Hinges, Latch, Gasket, Insulation	AS-102872-06H
13		Power Entry Plate Assembly	AS-90774-13H
14		Blower Access Panel Assembly - w/Hinges, Latch, Gasket, Insulation	AS-102872-02H
15		Ground Lug - Heat Compartment	45-19000-02
16		Mounting Frame - Heat Exchanger Frame	AS-90754-04
17		Condenser Coil Access Panel-Front	AS-90734-20H
38c		Post - Outdoor Coil (Front)	See Coil Group
39c		Post - Outdoor Coil (Rear)	See Coil Group

No.	Notes	MODEL TECHNICAL VARIATION COOLING CAPACITY	RLRL- H 240
PANELS - REAR, LEFT, AND TOP			
REAR:			
22		Condenser Coil Access Panel-Rear	AS-90734-21H
23		Rear Panel - Right	AS-90618-08H
24		Supply Cover	AS-90628-03H
25		Return Cover	AS-90628-04H
LEFT:			
26		Upper Left Panel	AS-90624-09H
27		Lower Left Panel	AS-90624-08H
28		Left Corner Panel Assembly	AS-90755-05H
		Bracket - Left Corner Panel Assembly (2)	AE-90779-01
		Gasket for receptacle plate	68-42514-08
		Gasket for disconnect plate	68-42514-09
29		Plate - Install inside Panel-Receptacle	AS-90756-02H
30		Plate - Install inside Panel-Disconnect	AS-90756-03H
31		Button Plug (3)	45-42558-01
32		Star Bushing (3)	45-18515-01
TOP:			
33a		Top Panel Assembly - Right	AS-90616-04H
33b		Top Panel Assembly - Left	AS-90616-05H
34a		Top Panel - Front	AS-90633-10H
34b		Top Panel - Middle	AS-90633-11H
34c		Top Panel - Rear	AS-90633-09H
35		Venturi	AS-90632-03H (6)
36		Wire Grille	95-100906-09 (6)
43		Drain Pan - Removable	See Coil Group

No.	Notes	MODEL TECHNICAL VARIATION COOLING CAPACITY ELECTRICAL DESIGNATION	RLRL- H 090 C	RLRL- H 090 D
ELECTRIC GROUP				
11		Terminal Block	45-41669-01	45-41669-01
		Outlet Box	45-41952-02	45-41952-02
		Receptacle Cover	45-41953-02	45-41953-02
		Receptacle - Ground Fault	45-41954-01	45-41954-01
CONTROL BOX COMPONENTS:				
57	Stk	Transformer - Control	46-42515-04	46-42515-05
58a		Double Row Terminal Block	45-42548-02	45-42548-02
58b	Stk	Relay - Blower	42-21571-08	42-21571-08
58c		Ground Lug	45-19000-02	45-19000-02
60		Capacitor - Fan Motor	See Fan Group	
61b		Unit Controller (RTU-C)	47-102883-02	47-102883-02
61c		Variable Frequency Drive (VFD) - Drive Package R	47-104280-01	47-104285-01
61c		Variable Frequency Drive (VFD) - Drive Package S	47-104280-01	47-104285-01
61c		Variable Frequency Drive (VFD) - Drive Package T	47-104281-01	47-104286-01
62a	Stk	Contactora - Compressor	42-102664-08	42-102664-08
62b	Stk	Contactora - Compressor	42-102664-08	42-102664-08
		Comfort Alert (2)	42-101504-03	42-101504-03
MISCELLANEOUS:				
		Pressure Switch Assembly - (Clogged Filter and Fan Proving)	42-103320-27	42-103320-27
		Low Ambient Control Assembly (2)	AS-103034-01	AS-103034-01
		High Pressure Control	See Coil Group	
		Low Pressure Control	See Coil Group	
WIRING HARNESES:				
		Wiring Harness - Motor #1	See Fan Group	
		Wiring Harness - Motor #2	See Fan Group	
		Wiring Harness - 8 Pin to (4 Connectors and 2 Temperature Sensors) - See Note 1	45-42522-98	45-42522-98
		Wiring Harness - Twist-Loc (12 Pin and 4 Pin) to 9 Pin	45-42522-100	45-42522-100
		Jumper - 7 Pin Connector	45-42522-104	45-42522-104
		Wiring Harness - 4 Pin to Variable Frequency Drive (VFD)	45-42522-120	45-42522-120
		Wiring Harness - Compressor Control (14 Pin to Four 2 Pin Connectors and Three Temperature Sensors) - See Note 1	45-42522-99	45-42522-99
		Plug Harness - Compressor	See Compressor Group	
		Wirng Harness - Main Power	45-42522-09	45-42522-09
		Bypass Plug - Economizer 12 Pin	AS-61997-55	AS-61997-55
		Wiring Harness - 6 Pin to Heater Kit	45-102706-09	45-102706-09

No.	Notes	MODEL TECHNICAL VARIATION COOLING CAPACITY ELECTRICAL DESIGNATION	RLRL- H 120 C	RLRL- H 120 D
ELECTRIC GROUP				
11		Terminal Block	45-41669-01	45-41669-01
		Outlet Box	45-41952-02	45-41952-02
		Receptacle Cover	45-41953-02	45-41953-02
		Receptacle - Ground Fault	45-41954-01	45-41954-01
CONTROL BOX COMPONENTS:				
57	Stk	Transformer - Control	46-42515-04	46-42515-05
58a		Double Row Terminal Block	45-42548-02	45-42548-02
58b	Stk	Relay - Blower	42-21571-08	42-21571-08
58c		Ground Lug	45-19000-02	45-19000-02
60		Capacitor - Fan Motor	See Fan Group	
61b		Unit Controller (RTU-C)	47-102883-02	47-102883-02
61c		Variable Frequency Drive (VFD) - Drive Package R	47-104280-01	47-104285-01
61c		Variable Frequency Drive (VFD) - Drive Package S	47-104281-01	47-104286-01
62a	Stk	Contactora - Compressor	42-102664-08	42-102664-08
62b	Stk	Contactora - Compressor	42-102664-08	42-102664-08
		Comfort Alert (2)	42-101504-03	42-101504-03
MISCELLANEOUS:				
		Pressure Switch Assembly - (Clogged Filter and Fan Proving)	42-103320-27	42-103320-27
		Low Ambient Control Assembly (2)	AS-103034-01	AS-103034-01
		High Pressure Control	See Coil Group	
		Low Pressure Control	See Coil Group	
WIRING HARNESES:				
		Wiring Harness - Motor #1	See Fan Group	
		Wiring Harness - Motor #2	See Fan Group	
		Wiring Harness - 8 Pin to (4 Connectors and 2 Temperature Sensors) - See Note 1	45-42522-98	45-42522-98
		Wiring Harness - Twist-Loc (12 Pin and 4 Pin) to 9 Pin	45-42522-100	45-42522-100
		Jumper - 7 Pin Connector	45-42522-104	45-42522-104
		Wiring Harness - 4 Pin to Variable Frequency Drive (VFD)	45-42522-120	45-42522-120
		Wiring Harness - Compressor Control (14 Pin to Four 2 Pin Connectors and Three Temperature Sensors) - See Note 1	45-42522-99	45-42522-99
		Plug Harness - Compressor	See Compressor Group	
		Wiring Harness - Main Power	45-42522-09	45-42522-09
		Bypass Plug - Economizer 12 Pin	AS-61997-55	AS-61997-55
		Wiring Harness - 6 Pin to Heater Kit	45-102706-09	45-102706-09

No.	Notes	MODEL TECHNICAL VARIATION COOLING CAPACITY ELECTRICAL DESIGNATION	RLRL- H 180 C	RLRL- H 180 D
ELECTRIC GROUP				
11		Terminal Block - Heater Compartment	45-21134-04	45-21134-04
15		Ground Lug - Heater Compartment	45-19000-02	45-19000-02
		Outlet Box	45-41952-02	45-41952-02
		Receptacle Cover	45-41953-02	45-41953-02
		Receptacle - Ground Fault	45-41954-01	45-41954-01
CONTROL BOX COMPONENTS:				
57a	Stk	Transformer - Control	46-42515-04	46-42515-05
58a		Terminal Block - Double Row	45-42548-02	45-42548-02
58b		Terminal Block - Power Block	45-41765-01	45-41765-01
58c		Ground Lug	45-19000-02	45-19000-02
59	Stk	Blower Relay	42-21571-08	42-21571-08
60		Run Capacitor	See Fan Group	
61b		Unit Controller (RTU-C)	47-102883-02	47-102883-02
61c		Variable Frequency Drive (VFD) - Drive Package R	47-104281-01	47-104286-01
61c		Variable Frequency Drive (VFD) - Drive Package S	47-104282-01	47-104287-01
62a	Stk	Compressor Contactor #2	42-102664-12	42-102664-12
62b	Stk	Compressor Contactor #1	42-102664-12	42-102664-12
62c		Comfort Alert (2)	42-101504-03	42-101504-03
MISCELLANEOUS:				
		Low Ambient Control Assembly (2)	AS-103034-01	AS-103034-01
		Pressure Switch Assembly - (Clogged Filter and Fan Proving)	42-103320-27	42-103320-27
		Low Ambient Control Assembly (2)	AS-103034-01	AS-103034-01
		High Pressure Control	See Coil Group	
		Low Pressure Control	See Coil Group	
WIRING HARNESES:				
		Wiring Harness - Fan Motor	See Fan Group	
		Plug Harness - Compressor	See Compressor Group	
		Bypass Plug - Economizer 12 Pin	AS-61997-55	AS-61997-55
		Wiring Harness - Twist-Loc, Economizer (12 Pin and 4 Pin to 9 Pin)	45-42522-93	45-42522-93
		Wiring Harness - Compressor Control (14 Pin to Four 2 Pin Connectors and Three Temperature Sensors) - See Note 1	45-42522-78	45-42522-78
		Wiring Harness - Heater Control	45-42522-91	45-42522-91
		Wiring Harness - Main Power	45-42522-92	45-42522-92
		Wiring Harness - 8 Pin to 4 Connectors and 2 Temperature Sensors - See Note 1	45-42522-98	45-42522-98

No.	Notes	MODEL TECHNICAL VARIATION COOLING CAPACITY ELECTRICAL DESIGNATION	RLRL- H 240 C	RLRL- H 240 D
ELECTRIC GROUP				
11		Terminal Block - Heater Compartment	45-21134-04	45-21134-04
15		Ground Lug - Heater Compartment	45-19000-02	45-19000-02
		Outlet Box	45-41952-02	45-41952-02
		Receptacle Cover	45-41953-02	45-41953-02
		Receptacle - Ground Fault	45-41954-01	45-41954-01
CONTROL BOX COMPONENTS:				
57a	Stk	Transformer - Control	46-42515-04	46-42515-05
58a		Terminal Block - Double Row	45-42548-02	45-42548-02
58b		Terminal Block - Power Block	45-41765-01	45-41765-01
58c		Ground Lug	45-19000-02	45-19000-02
59	Stk	Blower Relay	42-21571-08	42-21571-08
60		Run Capacitor	See Fan Group	
61b		Unit Controller (RTU-C)	47-102883-02	47-102883-02
61c		Variable Frequency Drive (VFD) - Drive Package R	47-104282-01	47-104287-01
61c		Variable Frequency Drive (VFD) - Drive Package S	47-104283-01	47-104288-01
62a	Stk	Compressor Contactor #2	42-102664-12	42-102664-12
62b	Stk	Compressor Contactor #1	42-102664-26	42-102664-26
62c		Comfort Alert (2)	42-101504-03	42-101504-03
MISCELLANEOUS:				
		Pressure Switch Assembly - (Clogged Filter and Fan Proving)	42-103320-27	42-103320-27
		Low Ambient Control Assembly (2)	AS-103034-01	AS-103034-01
		High Pressure Control	See Coil Group	
		Low Pressure Control	See Coil Group	
WIRING HARNESES:				
		Wiring Harness - Fan Motor	See Fan Group	
		Plug Harness - Compressor	See Compressor Group	
		Wirng Harness - Main Power	45-42522-92	45-42522-92
		Bypass Plug - Economizer 12 Pin	AS-61997-55	AS-61997-55
		Wiring Harness - 6 Pin to Heater Kit	45-42522-91	45-42522-91
		Wiring Harness - Economizer (12 pin and 4 pin to 9 pin)	45-42522-93	45-42522-93
		Wire Harness Assembly - Compressor Control (14 pin to 3 Temperature Sensors and 4 Connectors) - See Note 1	45-42522-78	45-42522-78
		Wiring Harness - 8 Pin to 4 Connectors and 2 Temperature Sensors - See Note 1	45-42522-98	45-42522-98

No.	Notes	MODEL TECHNICAL VARIATION COOLING CAPACITY ELECTRICAL DESIGNATION	RLRL- H 090 C	RLRL- H 090 D
FAN GROUP				
52	Stk	Fan Motor (2)	51-42534-24	51-42534-25
		Wiring Harness - Motor #1 (9 wire)	45-102706-21	45-102706-21
		Wiring Harness - Motor #2 (7 wire)	45-102706-22	45-102706-22
		Wiring Harness - 6 Pin to Heater Kit	45-102706-09	45-102706-09
53	Stk	Fan Blade (2)	70-42572-04	70-42572-04
60	Stk	Capacitor - Fan Motor (2)	43-100496-12	43-100496-12

No.	Notes	MODEL TECHNICAL VARIATION COOLING CAPACITY ELECTRICAL DESIGNATION	RLRL- H 120 C	RLRL- H 120 D
FAN GROUP				
52	Stk	Fan Motor (2)	51-42534-24	51-42534-25
		Wiring Harness - Motor #1 (9 wire)	45-102706-21	45-102706-21
		Wiring Harness - Motor #2 (7 wire)	45-102706-22	45-102706-22
		Wiring Harness - 6 Pin to Heater Kit	45-102706-09	45-102706-09
53	Stk	Fan Blade (2)	70-42572-04	70-42572-04
60	Stk	Capacitor - Fan Motor (2)	43-100496-12	43-100496-12

No.	Notes	MODEL TECHNICAL VARIATION COOLING CAPACITY ELECTRICAL DESIGNATION	RLRL- H 180 C	RLRL- H 180 D
FAN GROUP				
52	Stk	Fan Motor (3)	51-42534-24	51-42534-25
		Wiring Harness - Motor #1, #2	45-42522-71	45-42522-71
		Wiring Harness - Motor #3	45-42522-114	45-42522-114
53	Stk	Fan Blade (3)	70-42572-04	70-42572-04
60	Stk	Capacitor - Fan Motor (3)	43-100496-12	43-100496-12

No.	Notes	MODEL TECHNICAL VARIATION COOLING CAPACITY ELECTRICAL DESIGNATION	RLRL- H 240 C	RLRL- H 240 D
FAN GROUP				
52	Stk	Fan Motor (6)	51-42534-24	51-42534-25
		Wiring Harness - Motor #1 & #4	45-42522-71	45-42522-71
		Wiring Harness - Motor #2 & #5	45-42522-70	45-42522-70
		Wiring Harness - Motor #3 & #6	45-42522-69	45-42522-69
53	Stk	Fan Blade (6)	70-42572-04	70-42572-04
60	Stk	Capacitor - Fan Motor (6)	43-100496-12	43-100496-12

No.	Notes	MODEL TECHNICAL VARIATION COOLING CAPACITY DRIVE PACKAGE	RLRL- H 090 R	RLRL- H 090 S	RLRL- H 090 T
BLOWER ASSEMBLY GROUP - BELT DRIVE					
64	Stk	Blower Assembly (Includes Items 65-68)	AS-90757-01	AS-90757-01	AS-90757-01
65	Stk	Blower Wheel	70-42540-02	70-42540-02	70-42540-02
66		Bearing Frame Tri-Arm (2)	70-42540-05	70-42540-05	70-42540-05
67		Bearing with Bearing Lock (2)	70-41854-02	70-41854-02	70-41854-02
68	Stk	Blower Shaft	70-42540-04	70-42540-04	70-42540-04
69		Blower Mounting Angles (2)	AE-90708-01	AE-90708-01	AE-90708-01
		Blower Angle Stop	AE-90709-02	AE-90709-02	AE-90709-02
70		Motor Mount	AE-90710-04	AE-90710-04	AE-90710-04
71	Stk	Blower Motor (C/D Voltages)	51-102826-14	51-102826-14	51-102826-15
72	Stk	Variable Sheave	71-42538-02	71-42538-02	71-42538-02
73	Stk	Belt	71-40438-30	71-40438-27	71-40438-23
74	Stk	Fixed Sheave	71-100774-05	71-100774-02	71-100774-04
		Key	94-42551-09	94-42551-09	94-42551-09
	Stk	Bushing for Sheave w/Screws	71-100773-01	71-100773-01	71-100773-01

No.	Notes	MODEL TECHNICAL VARIATION COOLING CAPACITY DRIVE PACKAGE	RLRL- H 120 R	RLRL- H 120 S	
BLOWER ASSEMBLY GROUP - BELT DRIVE					
64	Stk	Blower Assembly (Includes Items 65-68)	AS-90757-01	AS-90757-01	
65	Stk	Blower Wheel	70-42540-02	70-42540-02	
66		Bearing Frame Tri-Arm (2)	70-42540-05	70-42540-05	
67		Bearing with Bearing Lock (2)	70-41854-02	70-41854-02	
68	Stk	Blower Shaft	70-42540-04	70-42540-04	
69		Blower Mounting Angles (2)	AE-90708-01	AE-90708-01	
		Blower Angle Stop	AE-90709-02	AE-90709-02	
70		Motor Mount	AE-90710-04	AE-90710-04	
71	Stk	Blower Motor (C/D Voltages)	51-102826-14	51-102826-15	
72	Stk	Variable Sheave	71-42538-02	71-42538-02	
73	Stk	Belt	71-40438-27	71-40438-23	
74	Stk	Fixed Sheave	71-100774-02	71-100774-04	
		Key	94-42551-09	94-42551-09	
	Stk	Bushing for Sheave w/Screws	71-100773-01	71-100773-01	

No.	Notes	MODEL TECHNICAL VARIATION COOLING CAPACITY DRIVE PACKAGE	RLRL- H 180 R	RLRL- H 240 R
BLOWER ASSEMBLY GROUP - BELT DRIVE				
64	Stk	Blower Assembly - Includes Items 65 and 66	AS-90757-06	AS-90757-06
65	Stk	Blower Wheel (2)	70-42564-02	70-42564-02
66		Bearing Frame Tri-Arm (4)	70-42284-04	70-42284-04
67		Bearing with Bearing Lock (4)	70-41854-02	70-41854-02
68	Stk	Blower Shaft	70-42564-03	70-42564-03
69		Blower Connector Angles (3)	AE-90798-01	AE-90798-01
70		Motor Mount	AE-90710-03	AE-90710-03
71	Stk	Blower Motor - C/D Voltages	51-102826-15	51-102826-06
72	Stk	Variable Sheave	71-42538-02	71-40427-04
73	Stk	Belt	71-40438-43	71-40438-50
74a	Stk	Fixed Sheave	71-100774-08	71-100774-07
74b		Key	94-42551-09	94-42551-09
74c	Stk	Bushing for Sheave w/Screws	71-100773-01	71-100773-01

No.	Notes	MODEL TECHNICAL VARIATION COOLING CAPACITY DRIVE PACKAGE	RLRL- H 180 S	RLRL- H 240 S
BLOWER ASSEMBLY GROUP - BELT DRIVE				
64	Stk	Blower Assembly - Includes Items 65 and 66	AS-90757-06	AS-90757-06
65	Stk	Blower Wheel (2)	70-42564-02	70-42564-02
66		Bearing Frame Tri-Arm (4)	70-42284-04	70-42284-04
67		Bearing with Bearing Lock (4)	70-41854-02	70-41854-02
68	Stk	Blower Shaft	70-42564-03	70-42564-03
69		Blower Connector Angles (3)	AE-90798-01	AE-90798-01
70		Motor Mount	AE-90710-03	AE-90710-03
71	Stk	Blower Motor - C/D Voltages	51-102826-06	51-102826-07
72	Stk	Variable Sheave	71-40427-04	71-40427-59
73	Stk	Belt	71-40438-46	71-40438-54
74a	Stk	Fixed Sheave	71-100774-08	71-100774-06
74b		Key	94-42551-09	94-42551-09
74c	Stk	Bushing for Sheave w/Screws	71-100773-01	71-100773-01

No.	Notes	MODEL TECHNICAL VARIATION COOLING CAPACITY	RLRL- H 090	RLRL- H 120
COIL GROUP				
EVAPORATOR COIL:				
42	Stk	Evaporator Coil	AS-90656-86	AS-90656-87
	Stk	TXV - Circuit #1 (before F3515)	61-101351-16	61-103999-01
	Stk	TXV - Circuit #2 (before F3515)	61-101351-16	61-103999-01
	Stk	TXV - Circuit #1 (on or after F3515)	61-42662-22	61-103999-01
	Stk	TXV - Circuit #2 (on or after F3515)	61-42662-22	61-103999-01
		Bulb Strap Kit - TXV (2)	64-101357-01	N/A
43	Stk	Drain Pan - Removable	68-102699-02	68-102699-02
FILTER PIECES:				
44		Filter Frame	AE-90606-11	AE-90606-11
45		Air Stop - Bottom	AE-102712-10	AE-102712-10
46		Air Stop - Side	AE-102712-06	AE-102712-06
47		Top Air Stop Assy	AS-90604-06	AS-90604-06
48		Filter Channel (2)	AE-102712-08	AE-102712-08
49		Filter Slide (2)	AE-102712-11	AE-102712-11
50		Filter (6)	54-42541-01	54-42541-01
CONDENSER COIL:				
37a	Stk	Condenser Coil	65-101478-07	65-101478-08
37b	Stk	Condenser Coil	65-101478-07	65-101478-08
38		Front Air Stop	N/A	N/A
39		Rear Air Stop	N/A	N/A
40a,b		Bottom Retainer (2)	N/A	N/A
40a		Micro-Channel Coil Mounting Base - Left	68-102752-01	N/A
40b		Micro-Channel Coil Mounting Base - Right	68-102752-02	N/A
41a		Top Support - Condenser Coil	AE-90612-13	AE-90612-13
41b		Top Support - Condenser Bulkhead	AE-90612-05	AE-90612-05
		Low Ambient Assembly	See Electrical Group	
		Liquid Line Filter Drier	83-22755-05 (2)	83-22755-05 (2)
		Strap - Filter Drier	AE-102132-01 (2)	AE-102132-01 (2)
		High Pressure Control	See Compressor Group	
		Low Pressure Control	See Compressor Group	

No.	Notes	MODEL TECHNICAL VARIATION COOLING CAPACITY	RLRL- H 180
COIL GROUP			
EVAPORATOR COIL GROUP:			
40		Air Flow Panel	AS-90828-02H
42	Stk	Complete Coil - Indoor	AS-102821-04
	Stk	TXV/Distributor Assembly - Circuit #1	61-102845-01
	Stk	TXV/Distributor Assembly - Circuit #2	61-102845-01
43	Stk	Drain Pan - Removable	68-102699-01
FILTER PIECES:			
44		Filter Frame	AE-90606-10
45		Air Stop - Bottom	AE-102712-17
46		Air Stop - Side	AE-102712-14
47		Top Air Stop Assembly	AS-90604-04
48		Filter Channel (2)	AE-102712-16
49		Filter Slide (2)	AE-102712-15
50		Filter - 20 in. x 25 in. x 2 in. (8)	54-42541-04
CONDENSER COIL:			
37	Stk	Condenser Coil (2)	65-101478-09
37a		Coil Mounting Base - Left	68-102752-01
37b		Coil Mounting Base - Right	68-102752-02
38		Post - Outdoor Coil (Front)	AS-90702-06H
38a		Air Stop - Front	AE-90706-21
39		Post - Outdoor Coil (Rear)	AS-90701-08H
39a		Air Stop - Rear	AE-90706-20
41a		Top Support - Inner Condenser Coil (2)	AE-90612-28
41b		Top Support - Condenser Bulkhead	AE-90612-24
		Filter Drier - Liquid Line (2)	83-22755-13
	Stk	High Pressure Control (2)	47-23699-04
	Stk	Low Pressure Control (2)	47-101529-09

No.	Notes	MODEL TECHNICAL VARIATION COOLING CAPACITY	RLRL- H 240
COIL GROUP			
EVAPORATOR COIL GROUP:			
40		Air Flow Panel	AS-90828-02H
42	Stk	Complete Coil - Indoor	AS-104258-03
	Stk	TXV/Distributor Assembly - Circuit #1	61-102815-01
	Stk	TXV/Distributor Assembly - Circuit #2	61-102815-01
43	Stk	Drain Pan - Removable	68-102699-01
FILTER PIECES:			
44		Filter Frame	AE-90606-10
45		Air Stop - Bottom	AE-102712-17
46		Air Stop - Side	AE-102712-14
47		Top Air Stop Assembly	AS-90604-04
48		Filter Channel (2)	AE-102712-16
49		Filter Slide (2)	AE-102712-15
50		Filter - 20 in. x 25 in. x 2 in. (8)	54-42541-04
CONDENSER COIL:			
37	Stk	Condenser Coil Assembly (2)	65-101478-09
38a		Air Stop - Front	AE-90706-25
38b		Corner Brace - Top Front	AS-90706-16H
38c		Post - Outdoor Coil (Front)	AS-90706-22H
39a		Air Stop - Rear	AE-90706-24
39b		Corner Brace - Top Rear	AS-90706-17H
39c		Post - Outdoor Coil (Rear)	AS-90706-23H
41		Air Stop- Top Right	AS-90753-08H
41a		Top Support - Inner Condenser Coil (2)	AE-90612-28
41b		Top Support - Outer Condenser Coil	AE-90612-20
41c		Top Support - Condenser Bulkhead	AE-90612-27
		Filter Drier - Liquid Line (2)	83-22755-11
	Stk	High Pressure Control (2)	47-23699-04
	Stk	Low Pressure Control (2)	47-101529-09

No.	Notes	MODEL TECHNICAL VARIATION COOLING CAPACITY ELECTRICAL DESIGNATION	RLRL- H 090 C	RLRL- H 090 D
COMPRESSOR GROUP				
		Compressor ID:	8652	8653
75	Stk	Compressor (2)	55-102045-21S	55-102045-20S
	Stk	Plug Harness - Compressor (2)	45-102708-02	45-102708-02
	Stk	High Pressure Control (2)	47-103669-01	47-103669-01
	Stk	Low Pressure Control (2)	47-101529-09	47-101529-09

No.	Notes	MODEL TECHNICAL VARIATION COOLING CAPACITY ELECTRICAL DESIGNATION	RLRL- H 120 C	RLRL- H 120 D
COMPRESSOR GROUP				
		Compressor ID:	8658	8659
75	Stk	Compressor (2)	55-102045-83S	55-102045-84S
	Stk	Plug Harness - Compressor (2)	45-102708-02	45-102708-02
	Stk	High Pressure Control (2)	47-103669-01	47-103669-01
	Stk	Low Pressure Control (2)	47-101529-09	47-101529-09

No.	Notes	MODEL TECHNICAL VARIATION COOLING CAPACITY ELECTRICAL DESIGNATION	RLRL- H 180 C	RLRL- H 240 C
COMPRESSOR GROUP				
		Compressor:	8664	8670
75a	Stk	Compressor #1	55-23156-29S	55-102471-01S
75b	Stk	Compressor #2	55-23156-29S	55-102471-24S
	Stk	Plug Harness - Compressor #1	45-42522-73	45-42522-73
	Stk	Plug Harness - Compressor #2	45-42522-72	45-42522-72
		High Pressure Control	See Coil Group	
		Low Pressure Control	See Coil Group	

No.	Notes	MODEL TECHNICAL VARIATION COOLING CAPACITY ELECTRICAL DESIGNATION	RLRL- H 180 D	RLRL- H 240 D
COMPRESSOR GROUP				
		Compressor:	8665	8671
75a	Stk	Compressor #1	55-23156-30S	55-102471-04S
75b	Stk	Compressor #2	55-23156-30S	55-102471-25S
	Stk	Plug Harness - Compressor #1	45-42522-73	45-42522-73
	Stk	Plug Harness - Compressor #2	45-42522-72	45-42522-72
		High Pressure Control	See Coil Group	
		Low Pressure Control	See Coil Group	

No.	Notes	MODEL TECHNICAL VARIATION COOLING CAPACITY ELECTRICAL DESIGNATION	RLRL- H 090-120 C	RLRL- H 090-120 D
ELECTRIC HEATER KITS				
		Electric Element Kits	RXJJ-CC10C	RXJJ-CC10D
		Electric Element Kits	RXJJ-CC15C	RXJJ-CC15D
		Electric Element Kits	RXJJ-CC20C	RXJJ-CC20D
		Electric Element Kits	RXJJ-CC30C	RXJJ-CC30D
		Electric Element Kits	RXJJ-CC40C	RXJJ-CC40D
		Electric Element Kits	RXJJ-CC50C	RXJJ-CC50D

No.	Notes	MODEL TECHNICAL VARIATION COOLING CAPACITY ELECTRICAL DESIGNATION	RLRL- H 180-240 C	RLRL- H 180-240 D
ELECTRIC HEATER KITS				
		Electric Element Kits	RXJJ-CE20C	RXJJ-CE20D
		Electric Element Kits	RXJJ-CE40C	RXJJ-CE40D
		Electric Element Kits	RXJJ-CE60C	RXJJ-CE60D
		Electric Element Kits	RXJJ-CE75C	RXJJ-CE75D

No.	Notes	MODEL TECHNICAL VARIATION COOLING CAPACITY	RLRL- H 090-120
ACCESSORIES			
		Louver Panel Assembly - 7.5 Ton	AXRX-AAD02A
		Louver Panel Assembly - 10 Ton	AXRX-AAD03A
		Carbon Dioxide Sensor	RXRX-AR02
		Dual Enthalpy Kit	RXRX-AV03
		Manual Fresh Air (Left Panel Mounted)	AXRF-KDA1
		Motor Kit for AXRF-KDA1	RXRX-AW02
		Modulating Motor Kit w/position feedback for RXRF-KDA1	RXRX-AW04
		Manual Fresh Air (Return Panel)	AXRF-JDA1
		Motorized Fresh Air (Return Panel)	AXRF-JDB1
		Comfort Alert	RXRX-AZ01
		BACnet Communication Card	RXRX-AY01
		LonWorks Communication Card	RXRX-AY02
		Unwired Convenience Outlet	RXRX-AN01
		Low Ambient Control Kit (1 Per Compressor)	RXRZ-C02

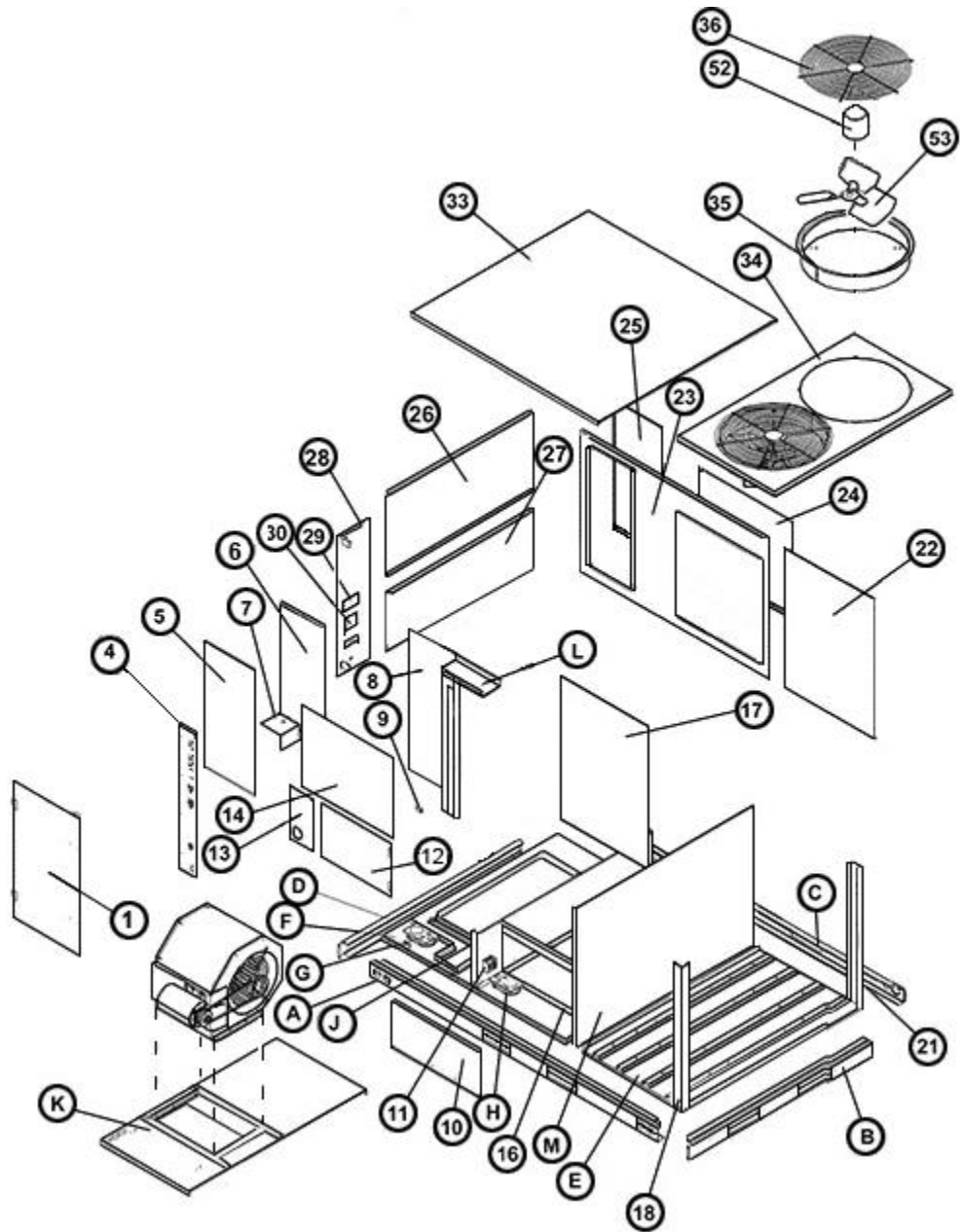
No.	Notes	MODEL TECHNICAL VARIATION COOLING CAPACITY	RLRL- H 090-120
ECONOMIZERS			
		Economizer - Single Enthalpy	AXRD-PJCM3
		Economizer - Single Enthalpy w/Smoke Detector	AXRD-SJCM3
		Horizontal Economizer - Single Enthalpy	AXRD-RJCM3

No.	Notes	MODEL TECHNICAL VARIATION COOLING CAPACITY	RLRL- H 090-120
POWER EXHAUST			
		Power Exhaust	RXRX-BFF02C
		Power Exhaust	RXRX-BFF02D
		Power Exhaust	RXRX-BFF02Y

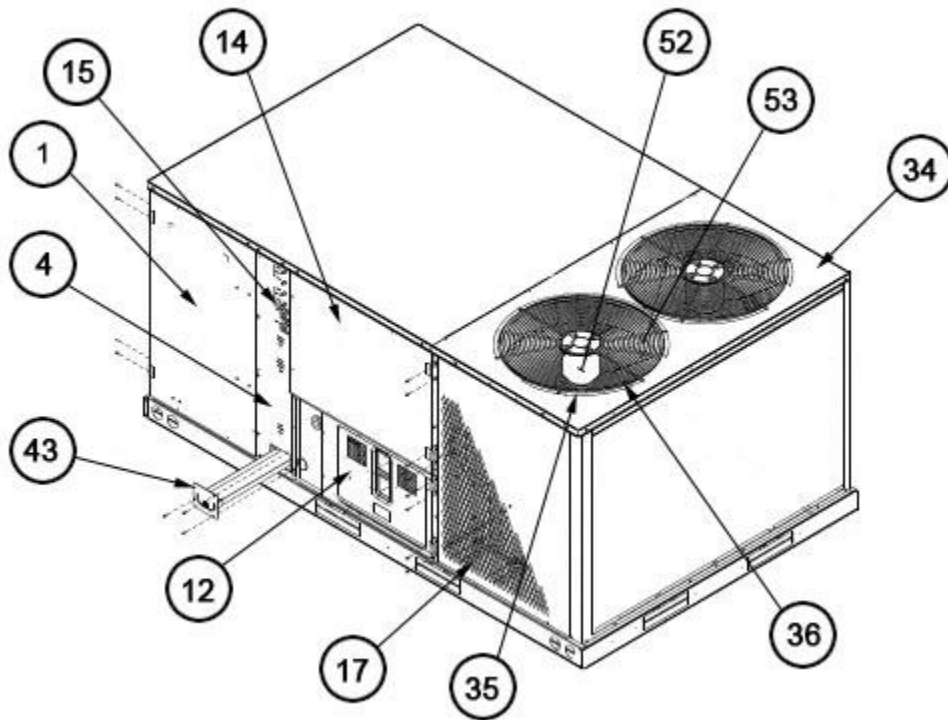
No.	Notes	MODEL TECHNICAL VARIATION COOLING CAPACITY	RLRL- H 180-240
ACCESSORIES			
		Carbon Dioxide Sensor (Wall Mount)	RXR-AR02
		Dual Enthalpy Kit	RXR-AV03
		Manual Fresh Air Damper	AXRF-KFA1
		Motorized Kit for AXRF-KFA1	RXR-AW03
		Modulating Motor Kit (w/position feedback) for AXRF-KFA1	RXR-AW05
		BACnet Communication Card	RXR-AY01
		LonWorks Communication Card	RXR-AY02
		Unwired Convenience Outlet	RXR-AN01
		Comfort Alert (One per Compressor)	RXR-AZ01
		Low Ambient Control Kit (One per Compressor)	RXRZ-C02
		Hail Guard Louvers	AXRX-AAD01L

No.	Notes	MODEL TECHNICAL VARIATION COOLING CAPACITY	RLRL- H 180-240
ECONOMIZERS			
		Downflow Economizer - Single Enthalpy	AXRD-PMCM3
		Downflow Economizer - Single Enthalpy w/Smoke Detector	AXRD-SMCM3
		Horizontal Economizer - Single Enthalpy	AXRD-RMCM3

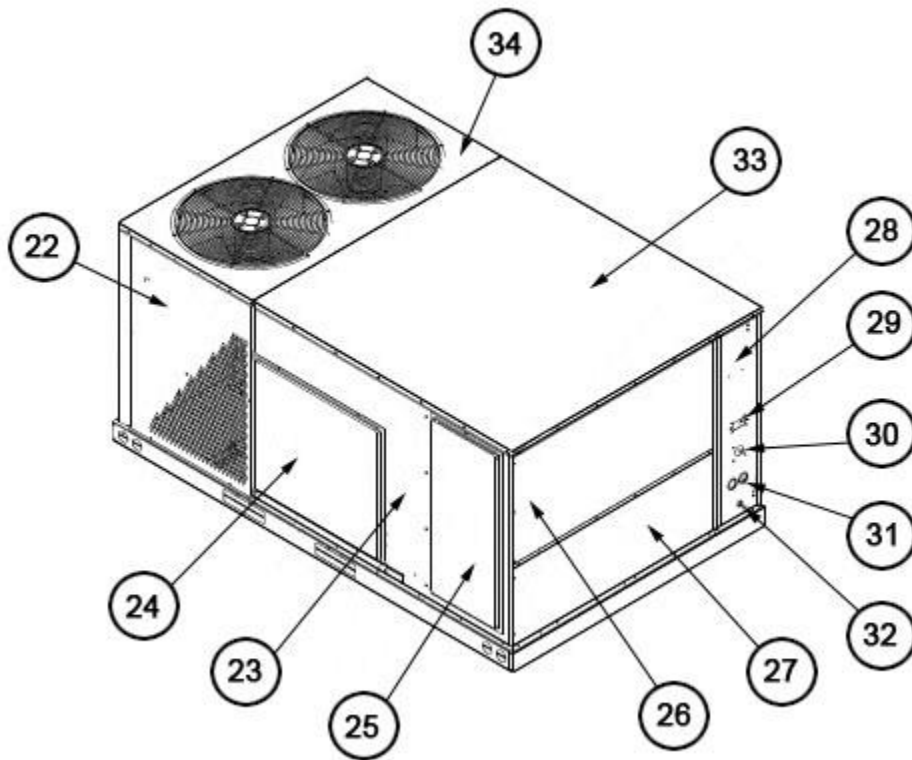
No.	Notes	MODEL TECHNICAL VARIATION COOLING CAPACITY	RLRL- H 180-240
POWER EXHAUST			
		Power Exhaust (208/230V)	RXR-BGF05C
		Power Exhaust (460V)	RXR-BGF05D
		Power Exhaust (575V)	RXR-BGF05Y



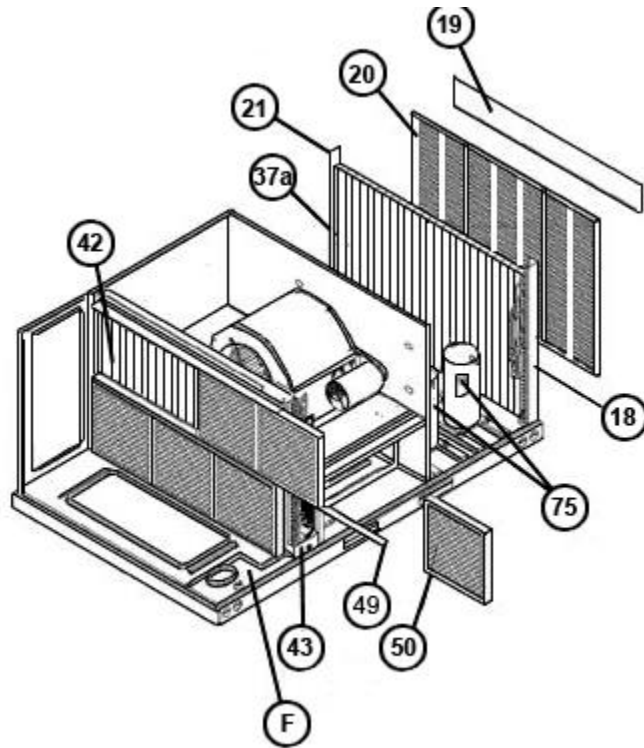
Exploded View 090-120



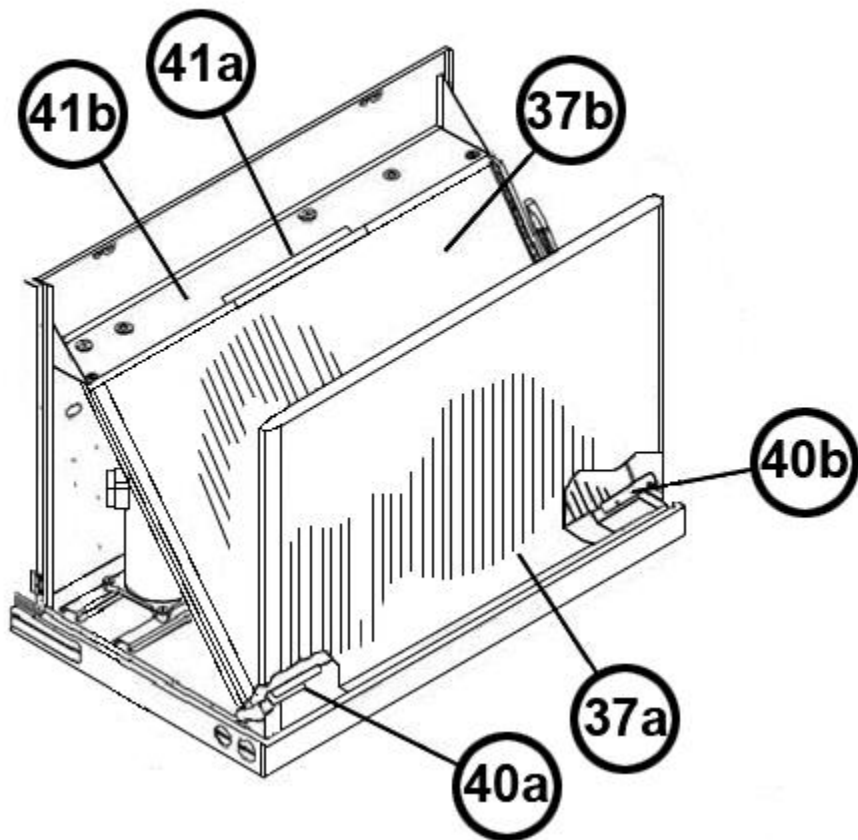
Exterior - Front 090-120



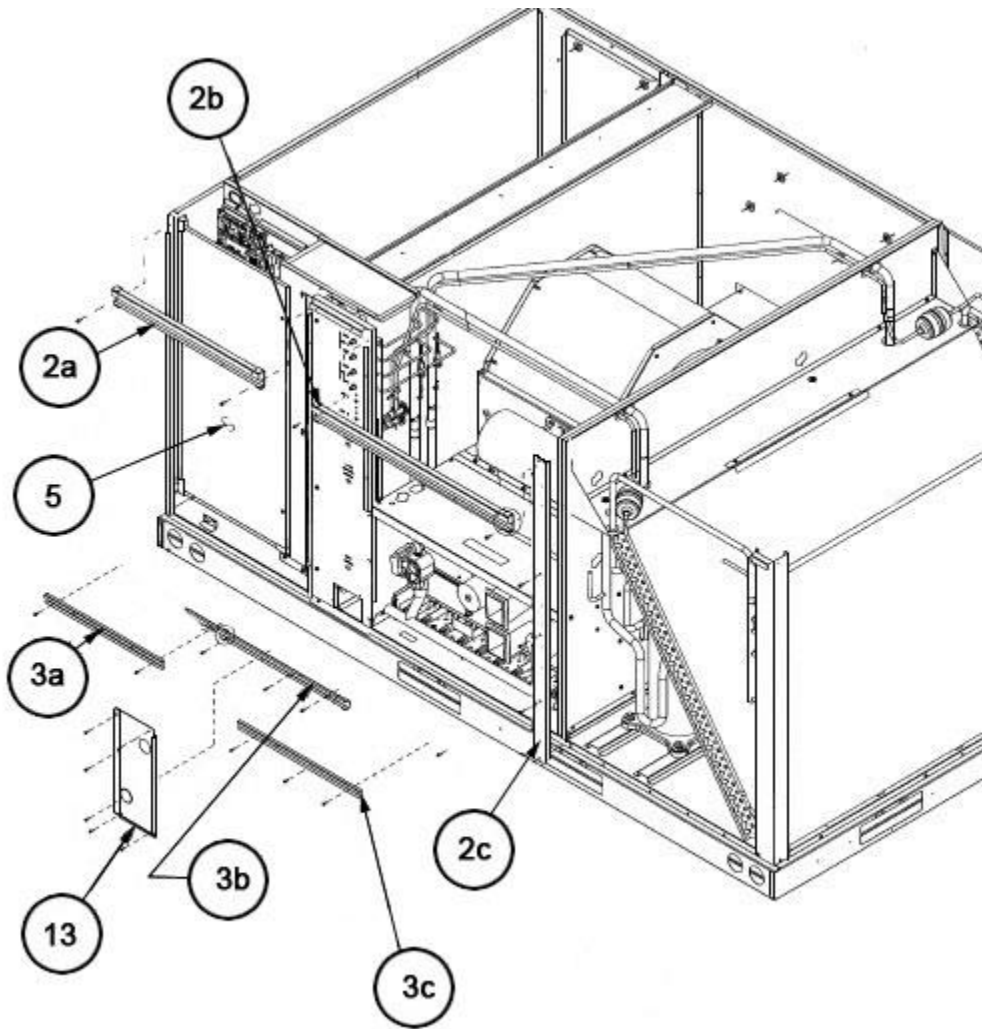
Exterior - Back 090-120



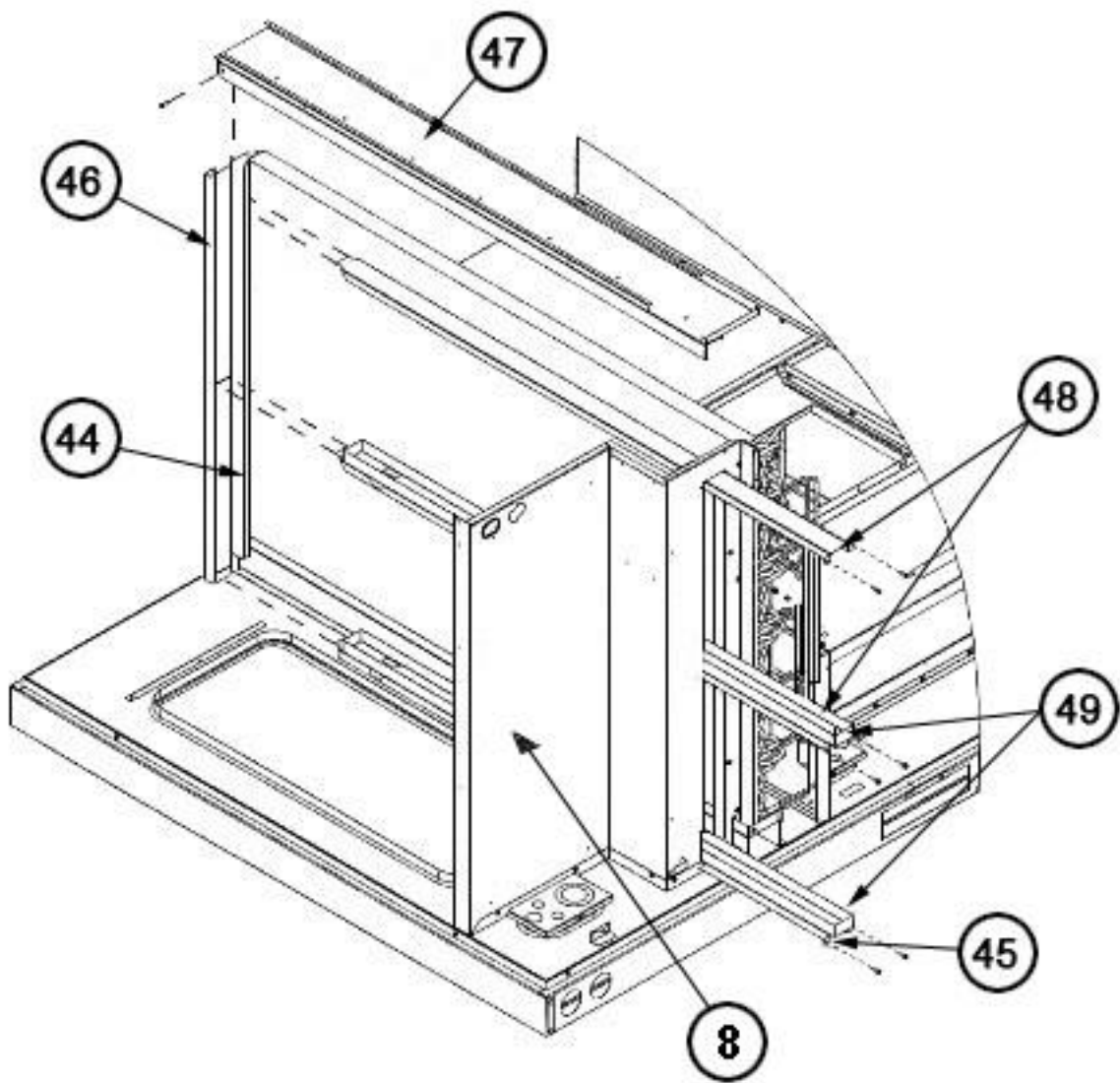
Filter-Coil Assembly 090-120



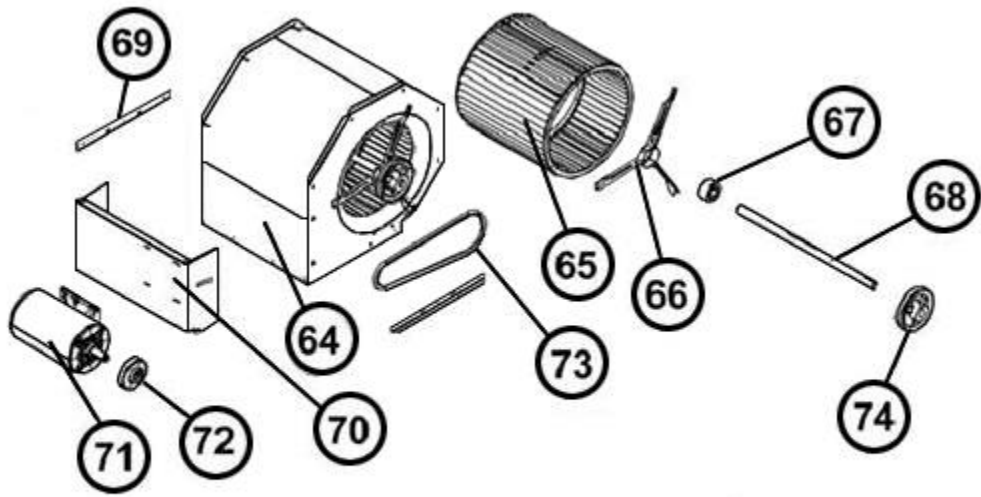
Condenser Coil Assembly 090-120



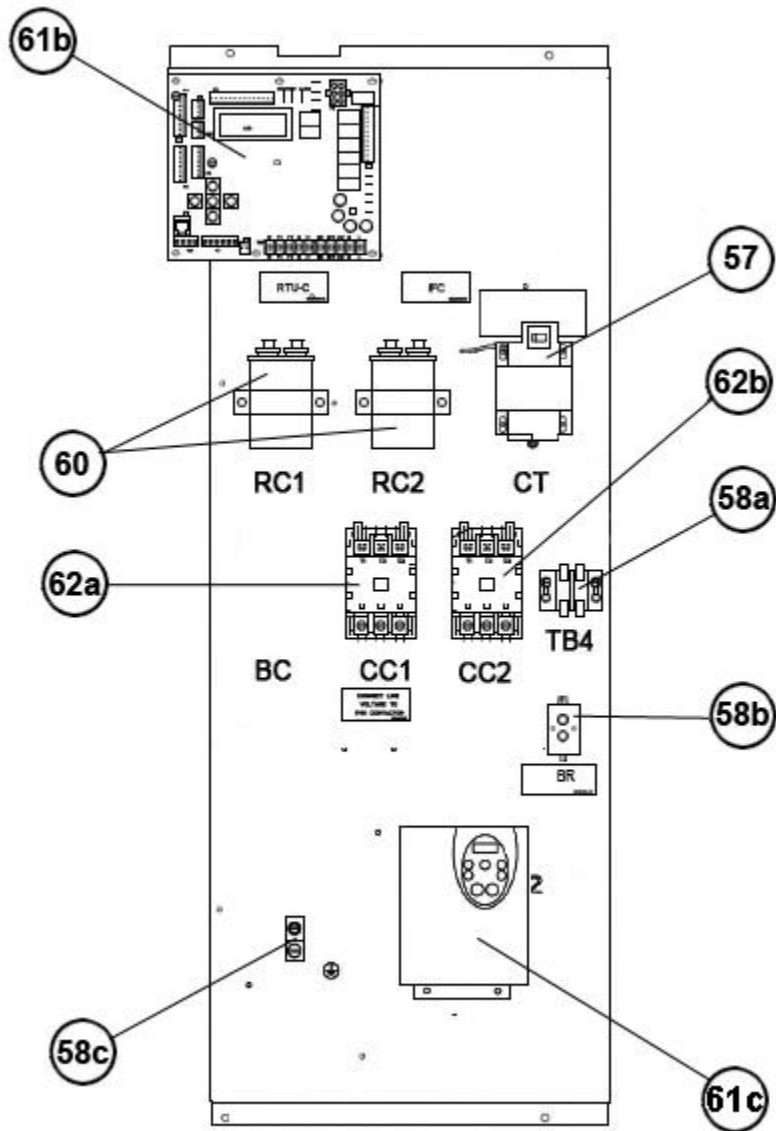
Front Panel Brackets 090-120



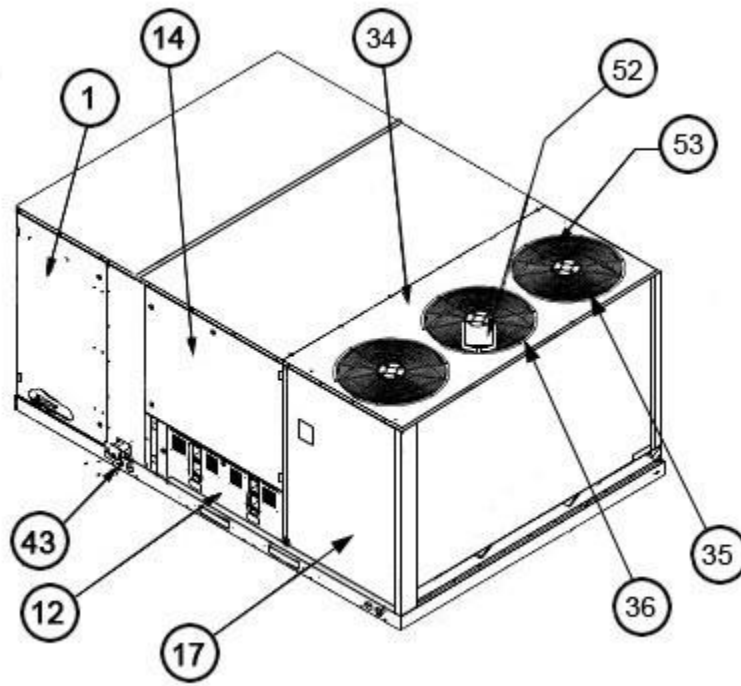
Filter Frame Assembly 090-120



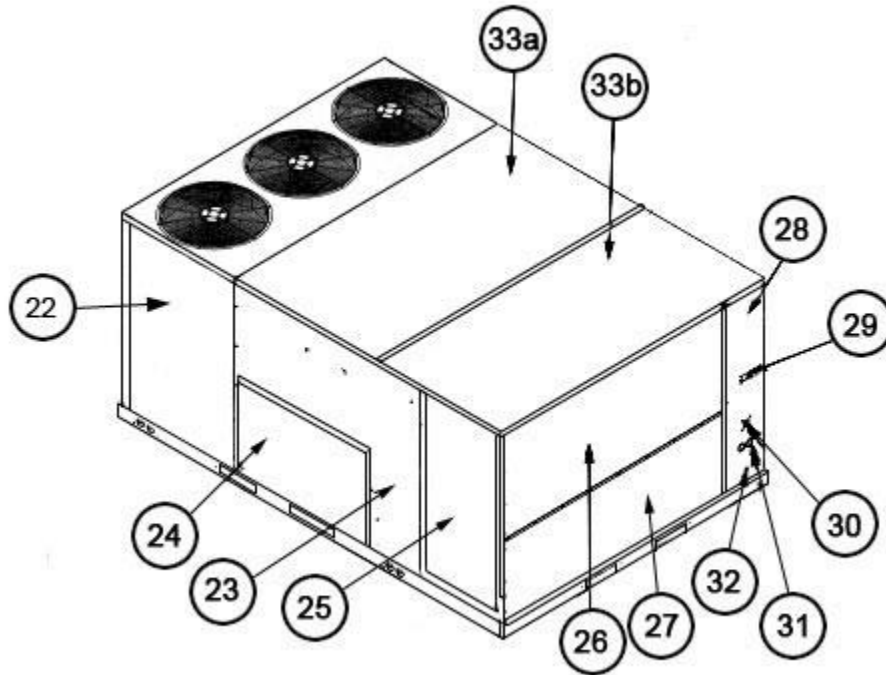
Blower Assembly 090-120



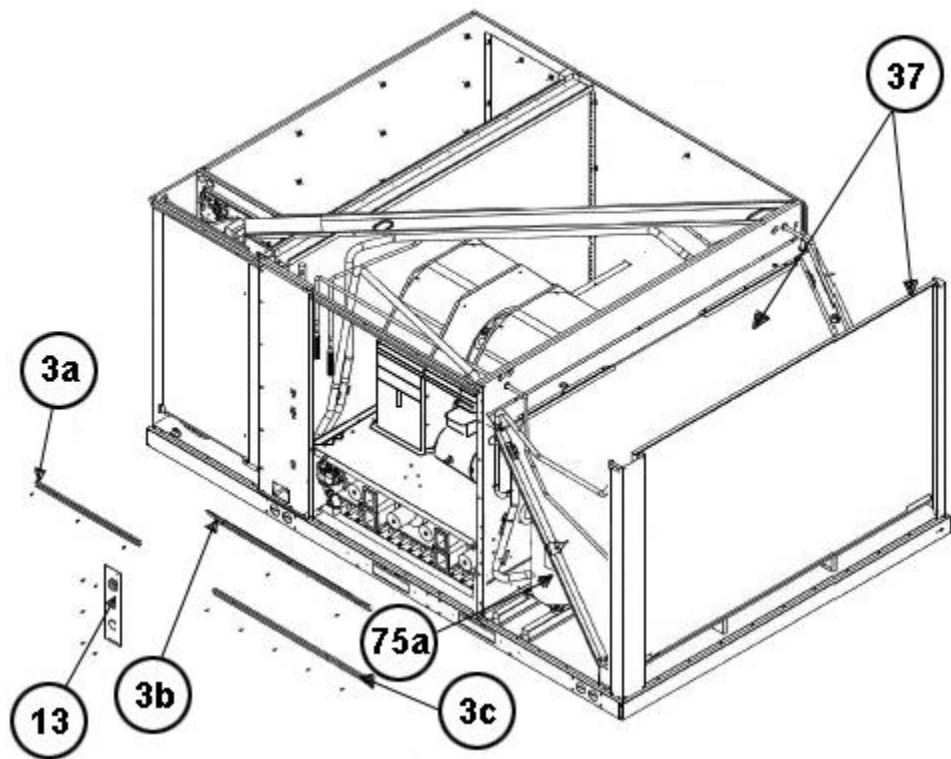
Control Box 090-120



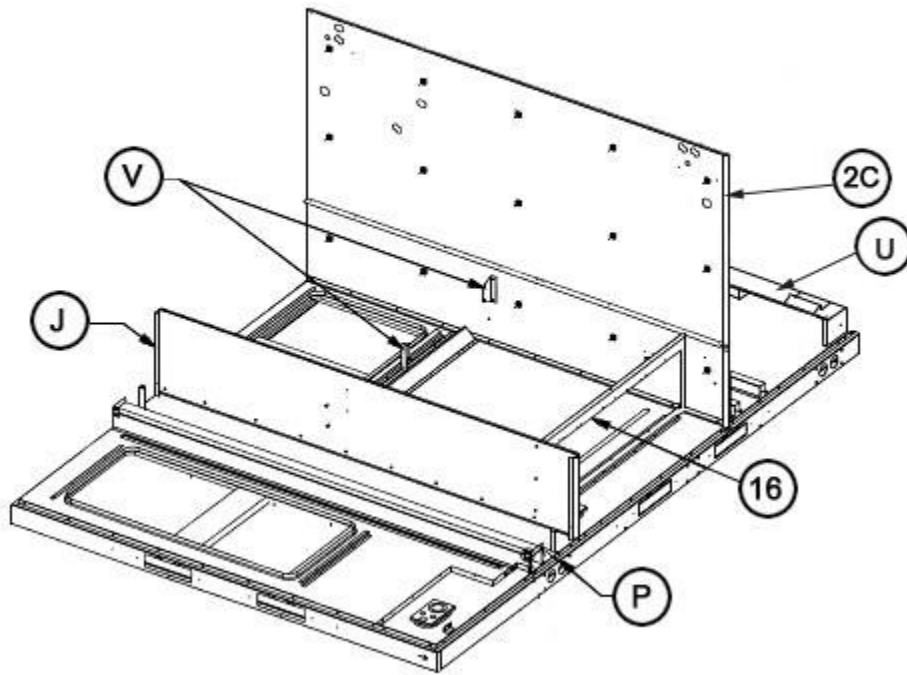
Exterior - Front 180



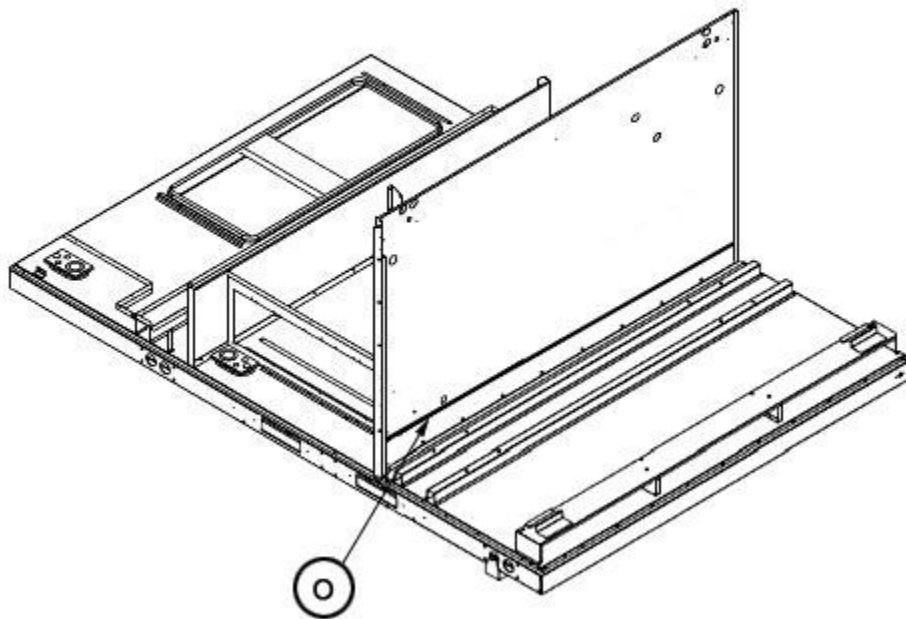
Exterior - Back 180



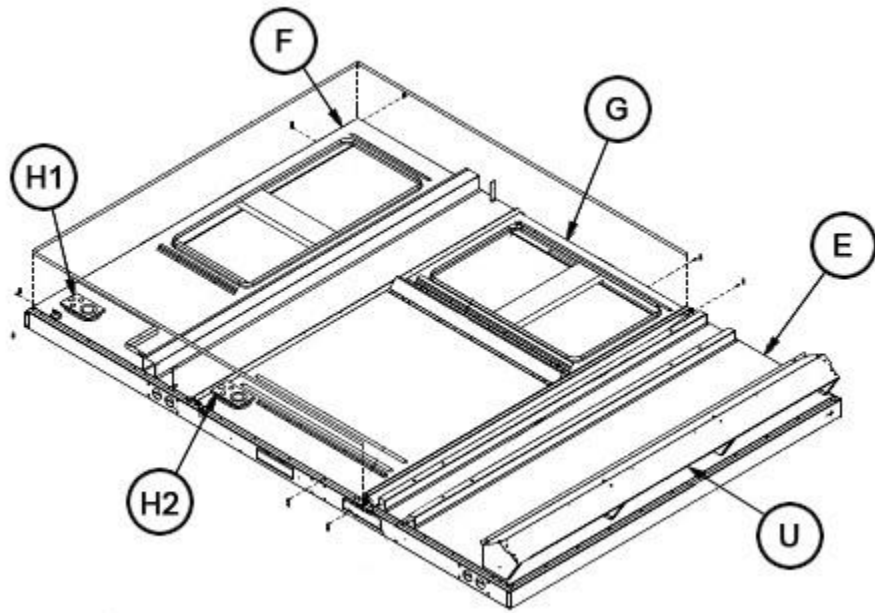
Front Panel Brackets 180



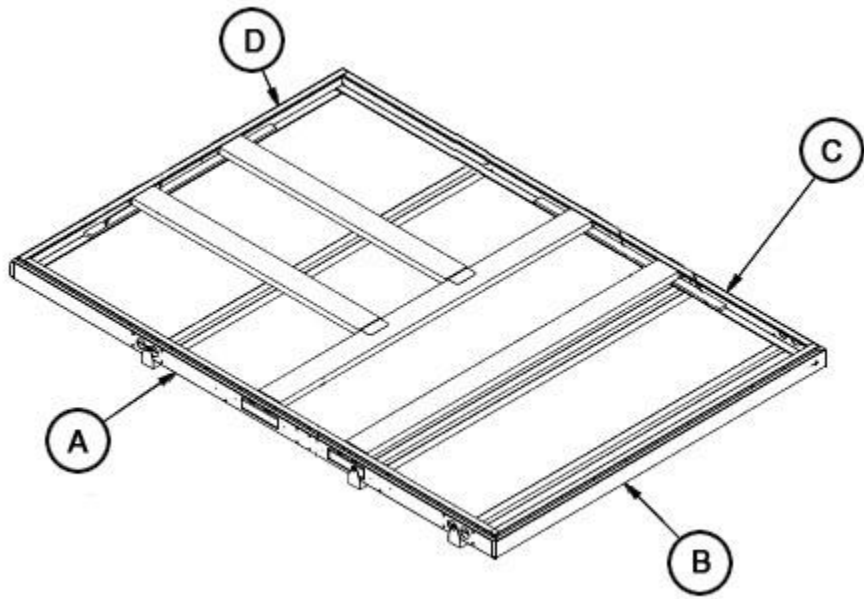
Heat Compartment 180



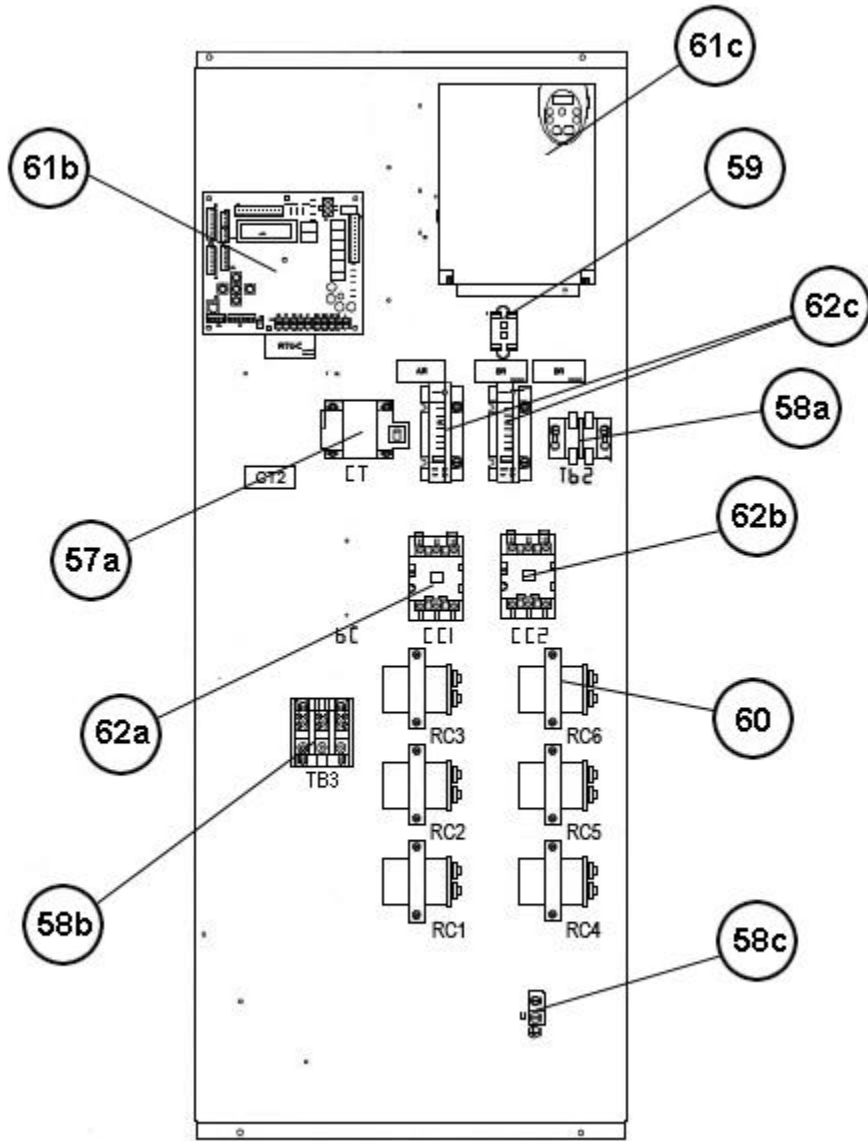
Condenser Bulkhead 180



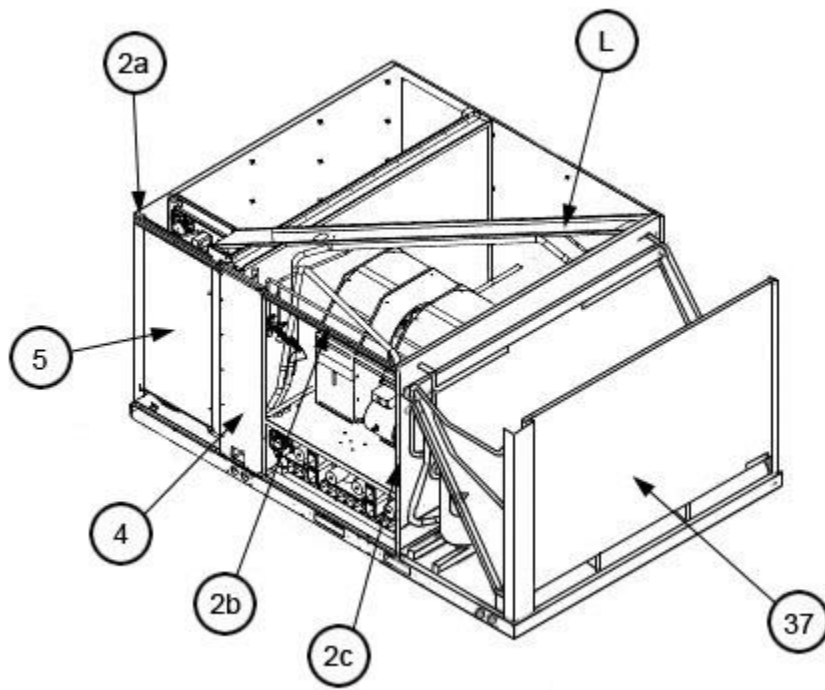
Base Pan Assembly 180-240



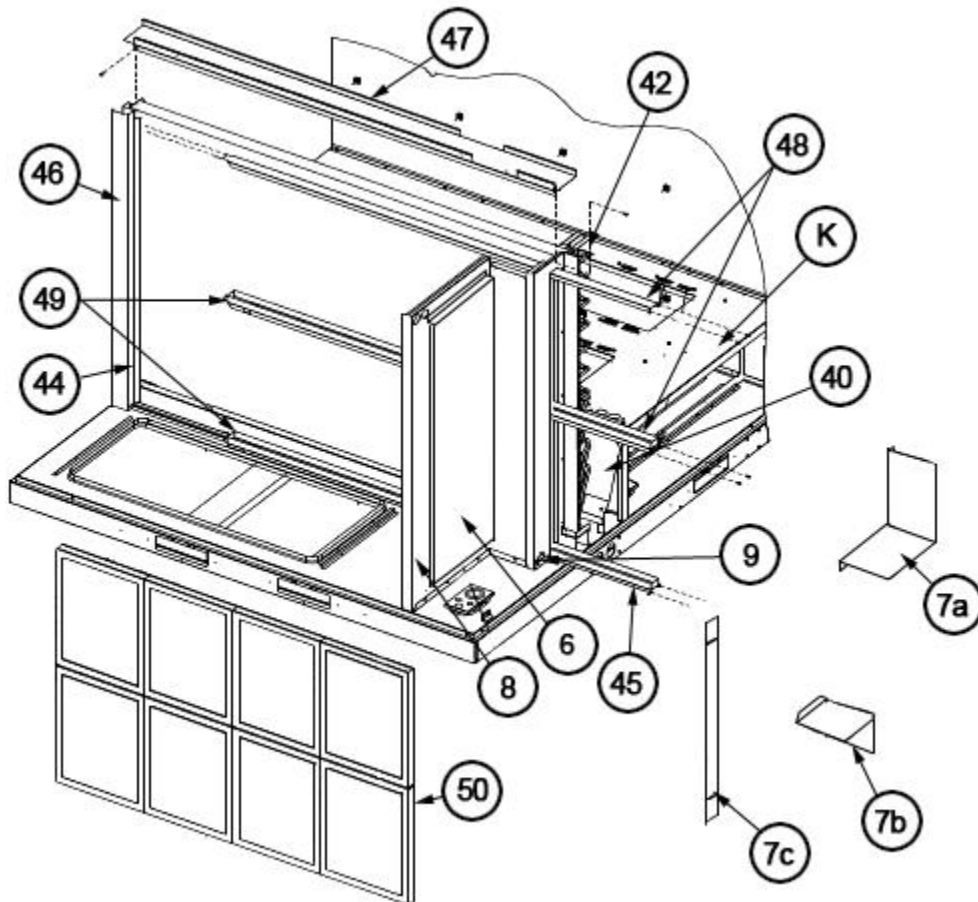
Base Rail Assembly 180-240



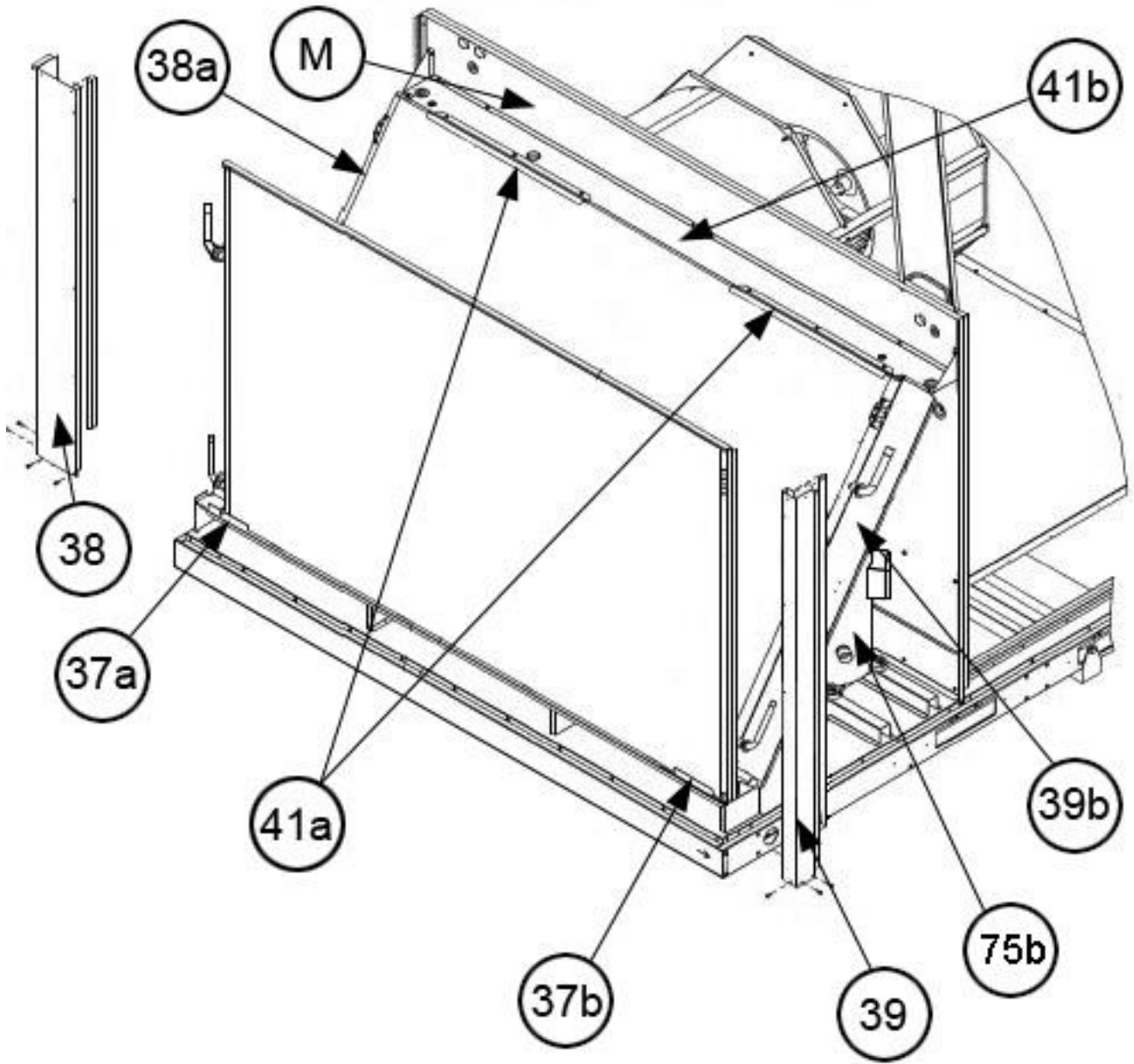
Control Box 180-240



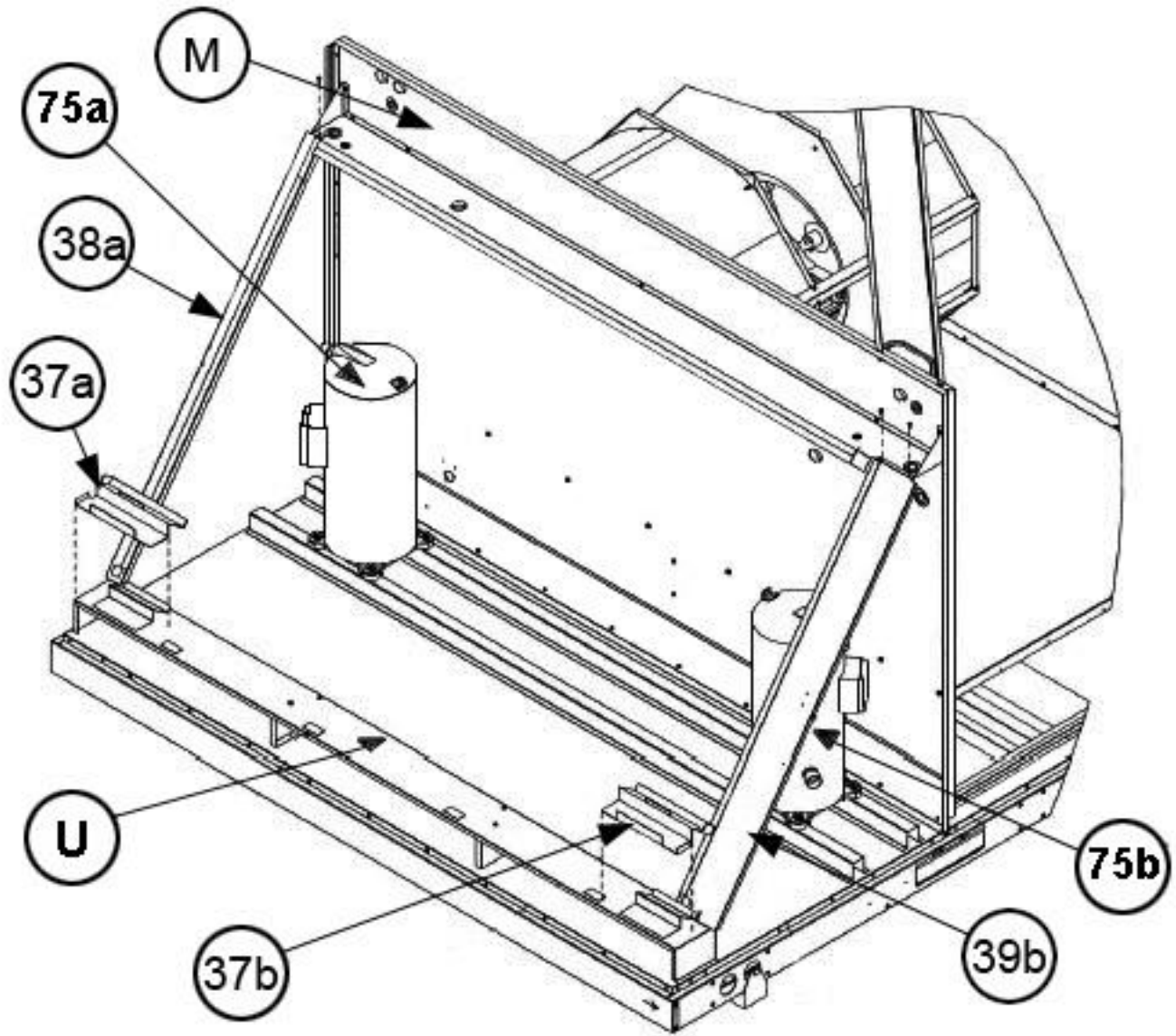
Interior - Front 180



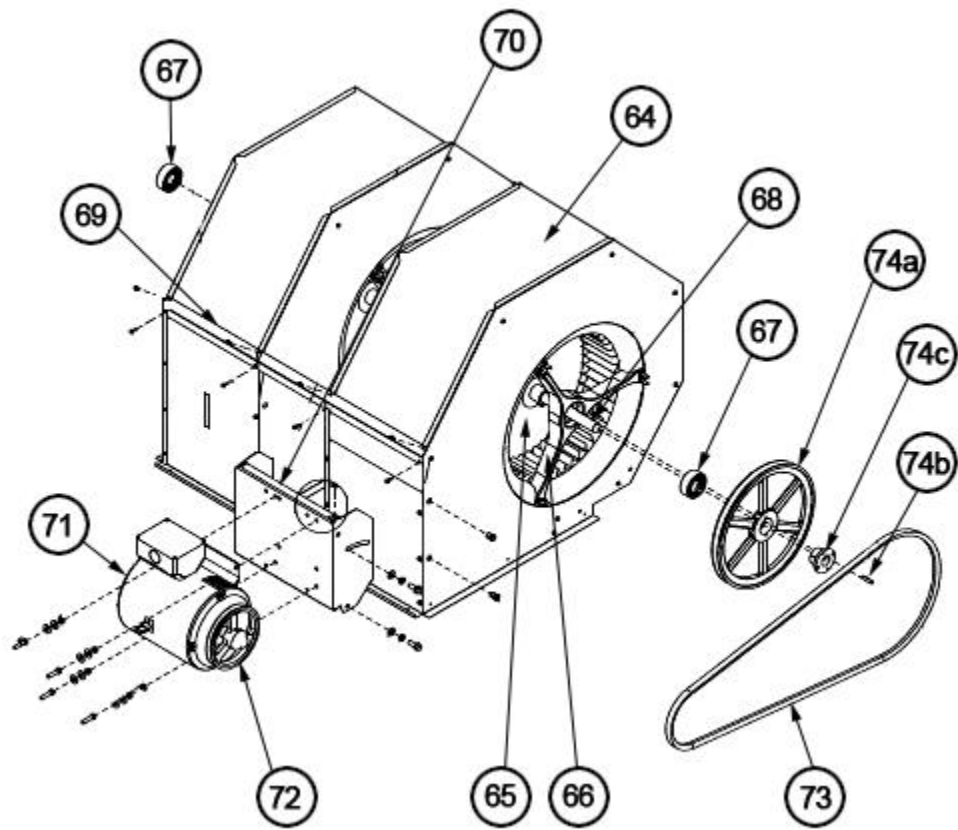
Filter Frame Assembly 180-240



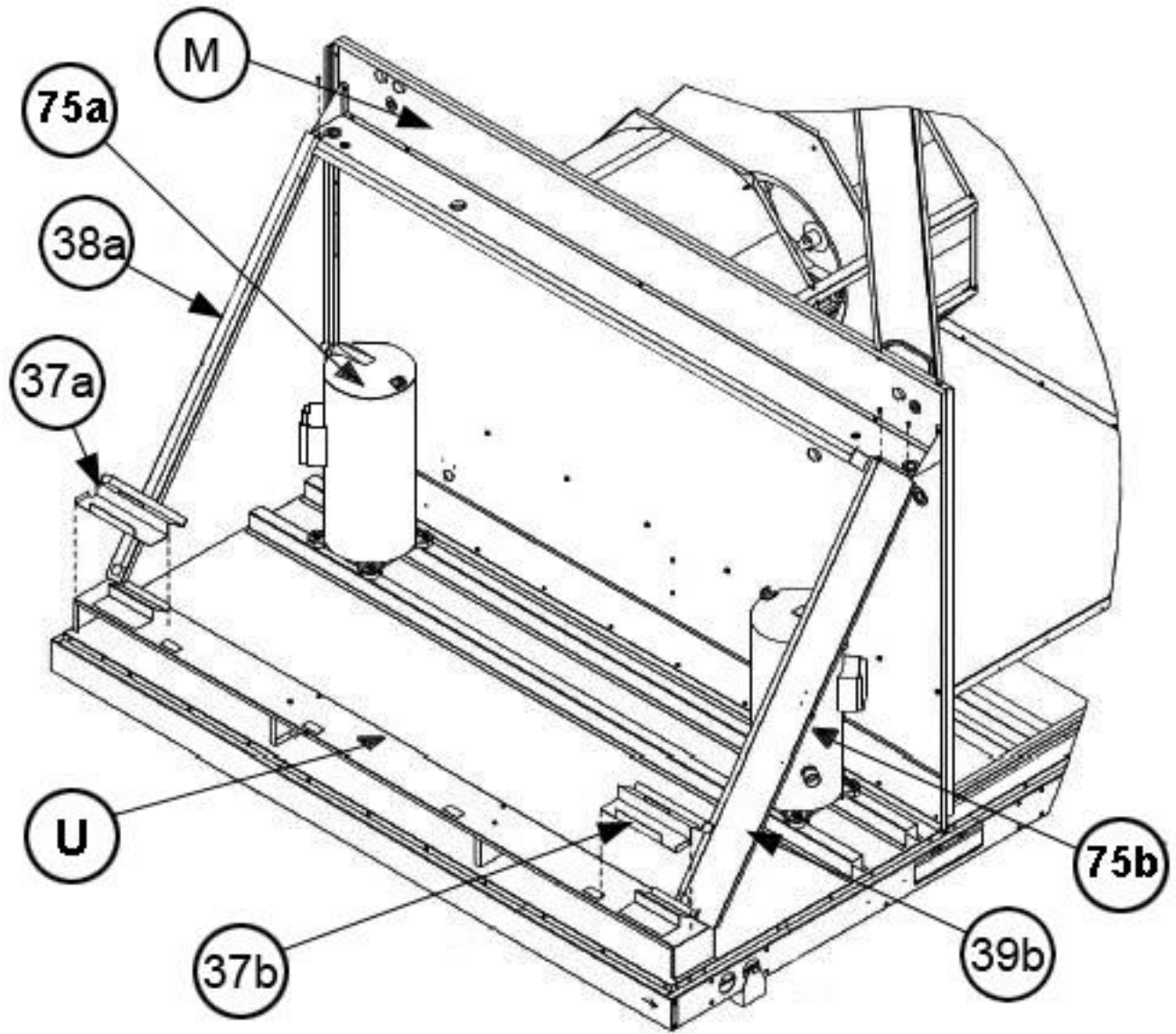
Condenser Coil - 180



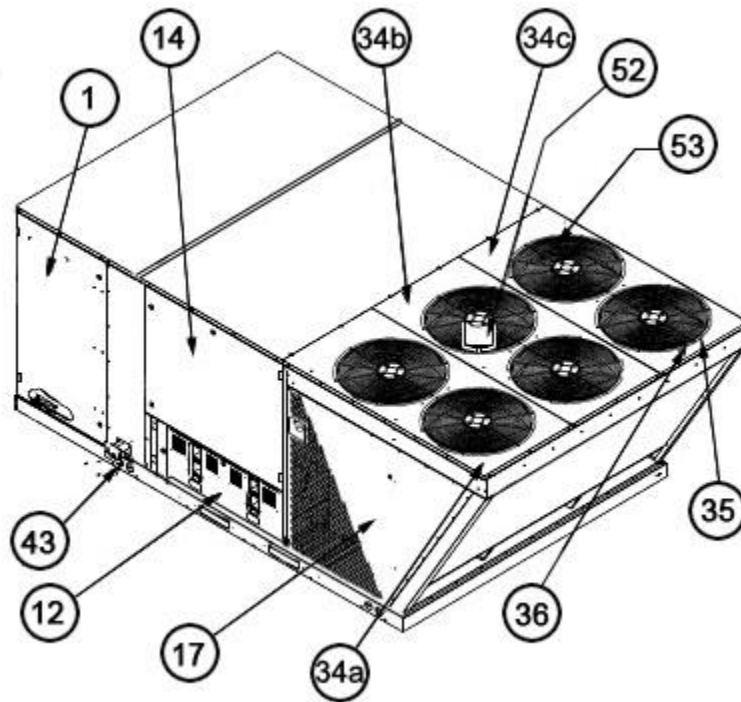
Condenser Coil Airstop - 180



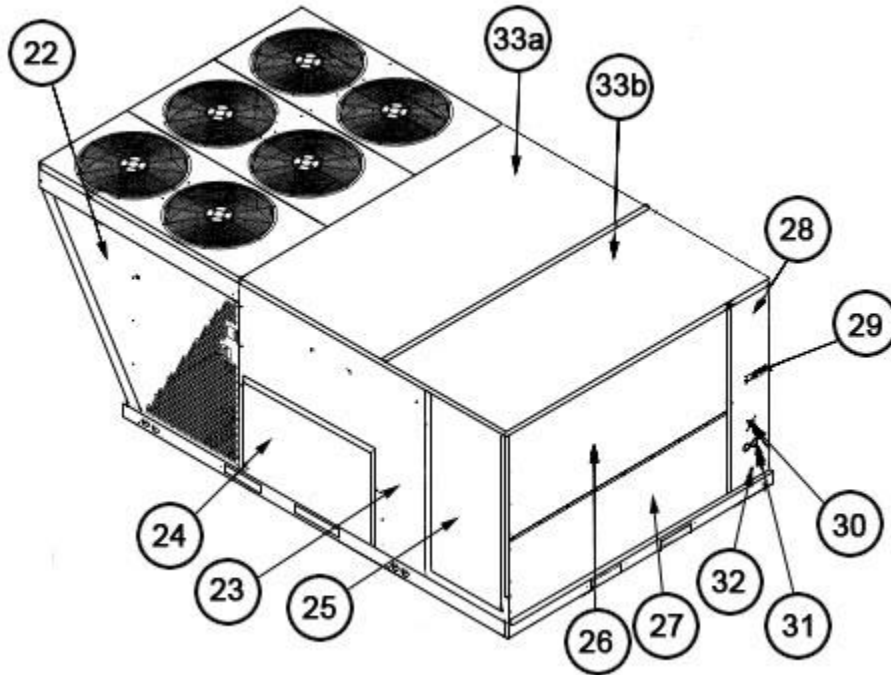
Blower Assembly 180-240



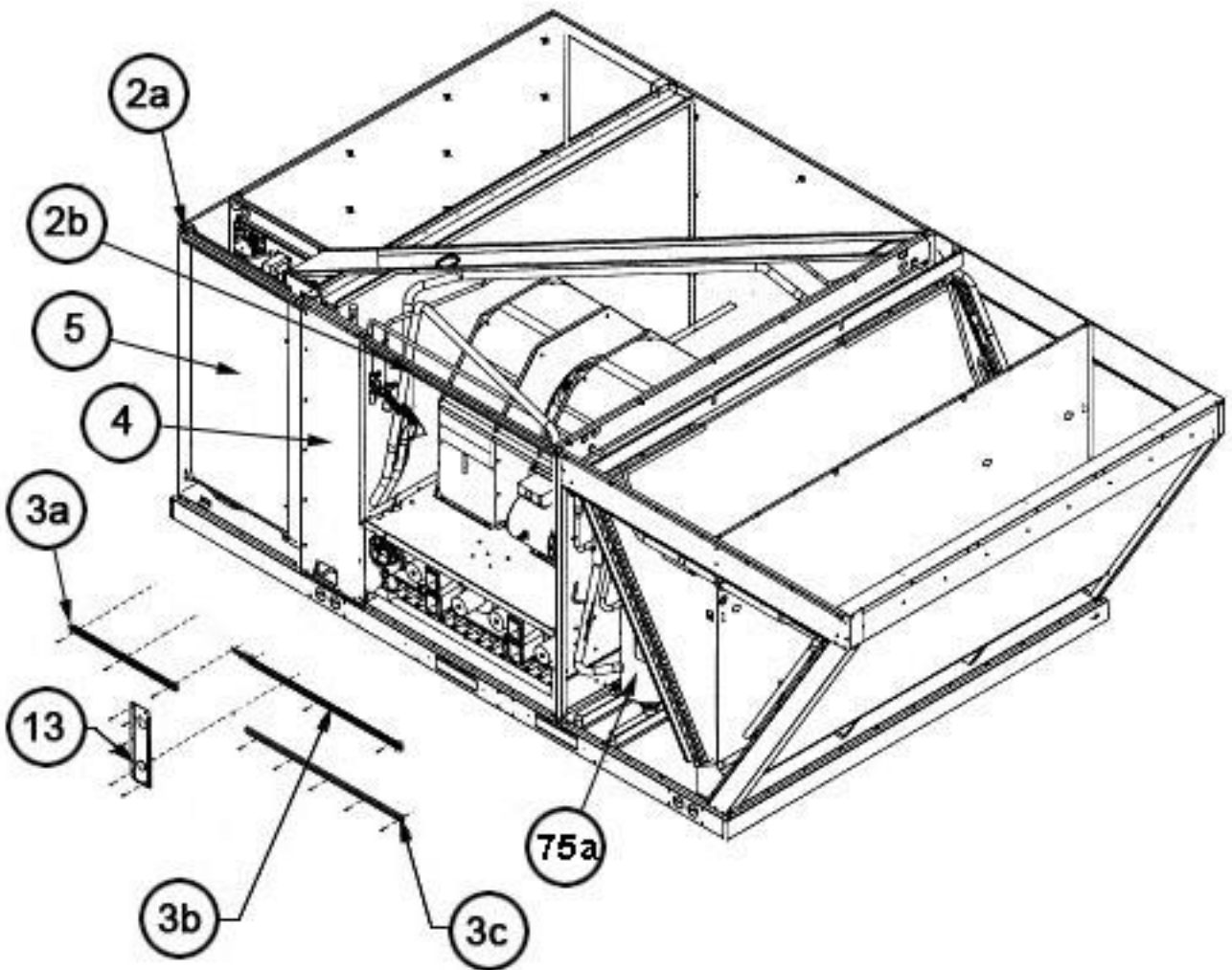
Condenser Coil Airstop - 180



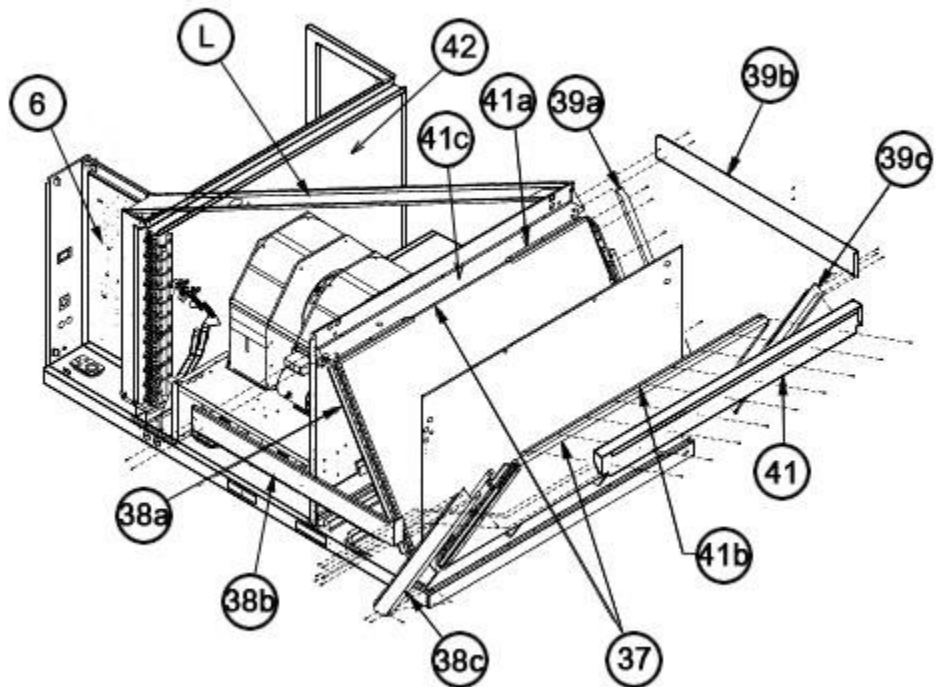
Exterior - Front 240



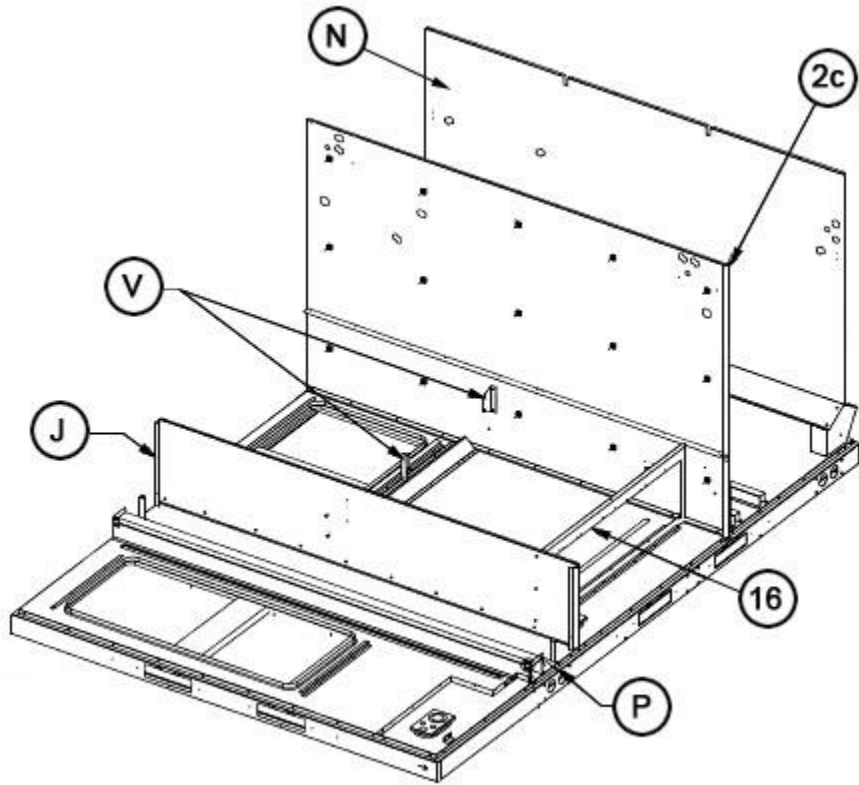
Exterior - Back 240



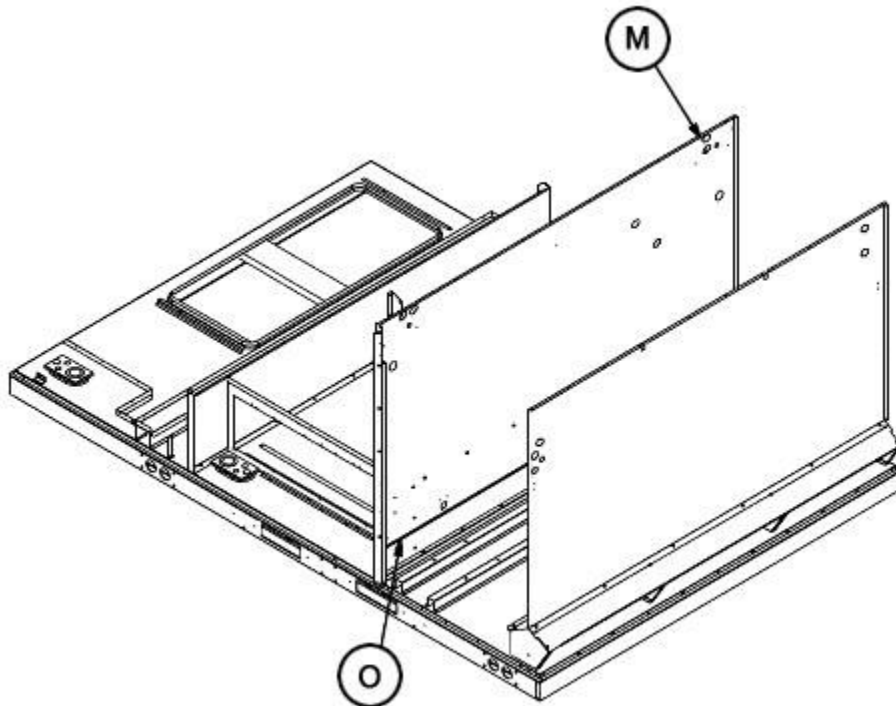
Front Panel Brackets 240



Interior - Coil (Airstop) 240



Heat Compartment 240



Condenser Bulkhead 240

NOTES

- Stk It is recommended that stock be maintained for this part.
N/A Not Applicable
1 Temperature Sensors are integral with the Wiring Harness.

DISCLAIMER: This document is intended to provide general replacement parts information to aid qualified service personnel in the repair of these models. The complete Model and Serial Number of the unit under repair should be specified when selecting and ordering replacement parts. Specifications and illustrations are subject to change without notice. Document 92-42800-RLRL-H supersedes all previous parts lists for these models. See <http://www.rheempartslists.net/92-42800-RLRL-H> for the latest revision of this document. The manufacturer assumes no obligation for errors or omissions. Service personnel must verify the proper and safe operation of equipment after the replacement of any original components.