



RLQN-C

Parts List
15-May-2020



*This parts list is current as of the above revision date.
See <http://www.rheempartslists.net/92-42800-RLQN-C.pdf> for the current revision.*

Package Air Conditioners - Commercial

Table of Contents

| | |
|--|---------|
| Model Explanation | Page 3 |
| Parts Numbers | |
| Panels - Miscellaneous 036-060 | Page 4 |
| Panels-036-060 (Hinged Doors) | Page 5 |
| Electrical Group 036-060 (1) | Page 6 |
| Electrical Group 036-060 (2) | Page 7 |
| Fan Group 036-060 | Page 8 |
| Blower Group 036-048 | Page 9 |
| Blower Group 060 | Page 10 |
| Coil Parts | Page 11 |
| Compressor Group | Page 12 |
| Heater Kits 036-060 | Page 13 |
| Accessories 036-060 | Page 14 |
| Drawings/Photographs | |
| Exploded View 036-060 | Page 15 |
| Top Panel View 036-060 | Page 16 |
| Top Panel View (Hinged-Panels) | Page 17 |
| End Panel View (Hinged Panels) | Page 18 |
| Control Box 036-060 | Page 19 |
| Blower Assembly - Direct Drive | Page 20 |
| Blower Assembly - Belt Drive | Page 21 |
| Blower Motor Mount Assembly 036-060 | Page 22 |
| Coil Group Cut-away View 036-060 | Page 23 |
| Evaporator Coil - Filter Parts 036-060 | Page 23 |
| Compressor - Refrigeration Group 036-060 | Page 24 |
| Condenser Coil Pads 036-060 | Page 25 |
| Notes/Disclaimer | Page 26 |

MODEL NUMBER EXPLANATION

| | | | | | | | | | | | | | | | | |
|----------|----------|----------|----------|----------|----------|----------|----------|----------|----------|----------|----------|----------|----------|----------|----------|----------|
| R | L | Q | N | - | C | 0 | 3 | 6 | C | L | 0 | 0 | 0 | A | C | A |
| 1 | 2 | 3 | 4 | | 5 | 6 | | | 7 | 8 | 9 | | | 10 | | 11 |

- | | |
|--|--|
| <p>(1) TRADENAME IDENTIFICATION</p> <p>(2) L = PACKAGED AIR CONDITIONER - COMMERCIAL</p> <p>(3) EFFICIENCY DESIGNATION P = (14 SEER) Q = (15 SEER)</p> <p>(4) DESIGN SERIES Design Series (R-410A)</p> <p>(5) TECHNICAL VARIATIONS</p> <p>(6) COOLING CAPACITY (BTU/HR) kW 036 = 36,000 10.55 048 = 48,000 14.07 060 = 60,000 17.58</p> <p>(7) ELECTRICAL DESIGNATION C = 208-230/3/60 D = 460/3/60</p> <p>(8) DRIVE PACKAGE L = Belt Drive M = Belt Drive - High Static V = Variable Drive</p> <p>(9) HEATING CAPACITY - (MBH) 000 = No Resistance Heat 006 = 6 kW Resistance Heat 010 = 10 kW Resistance Heat 012 = 12 kW Resistance Heat 015 = 15 kW Resistance Heat 020 = 20 kW Resistance Heat 024 = 24 kW Resistance Heat</p> | <p>(10) FACTORY INSTALLED OPTION CODES</p> <p>(11) ECONOMIZER OPTION A = No Economizer B = Single Enthalpy Economizer With Barometric Relief</p> |
|--|--|

SERIAL NUMBER EXPLANATION

| | | | | | | | | | |
|----------|----------|----------|----------|----------|----------|----------|----------|----------|----------|
| W | 0 | 8 | 1 | 3 | 9 | 9 | 9 | 9 | 9 |
| 1 | 2 | | 3 | | 4 | | | | |

- 1 **PLANT CODE**
- 2 **WEEK OF PRODUCTION**
- 3 **YEAR OF PRODUCTION**
- 4 **PRODUCTION NUMBER**

Note: For Compressor Identification Number, see Compressor Code on Rating Plate

| No. | Notes | MODEL TECHNICAL VARIATIONS COOLING CAPACITY | RLQN- C 036 | RLQN- C 048 | RLQN- C 060 |
|------------------------------------|-------|---|------------------------------|------------------------------|------------------------------|
| PANELS, MISCELLANEOUS PARTS | | | | | |
| 1 | | Base Rail - Side (2) | AE-58900-01 | AE-58900-01 | AE-58900-01 |
| 2 | | Base Rail - Condenser End | AE-58901-01 | AE-58901-01 | AE-58901-01 |
| 3 | | Base Rail - Evaporator End | AE-58902-01 | AE-58902-01 | AE-58902-01 |
| 4 | | Outdoor Coil Base Pan | AS-58910-05 | AS-58910-05 | AS-58910-05 |
| 5 | | Indoor Coil Base Pan | AS-58910-05 | AS-58910-05 | AS-58910-05 |
| 6 | | Condenser Bulkhead | AS-103276-02 | AS-103276-02 | AS-103276-02 |
| 7 | | Blower Bulkhead Assembly (Does not include Blower Extensions, Cover Plate, Insulation Retainer) | AS-103385-01 | AS-103385-01 | AS-103385-01 |
| 8 | | Blower Extension - Front | AE-58928-01 | AE-58928-01 | AE-58928-01 |
| 9 | | Blower Extension - Back | AE-58928-02 | AE-58928-02 | AE-58928-02 |
| | | Cover Plate (On the Blower Extension - Front to cover the Limit Control opening) | AE-76216-01 | AE-76216-01 | AE-76216-01 |
| | | Insulation Retainer | AE-59059-01 | AE-59059-01 | AE-59059-01 |
| 10 | | Wire Chase Insulation Assembly | AS-103291-01 | AS-103291-01 | AS-103291-01 |
| 11a | | Corner Post (2) | AS-58965-01H | AS-58965-01H | AS-58965-01H |
| 12 | | Front Corner Post ("L" Coil Only) | AS-104519-01H | N/A | N/A |
| 13 | | Louvered Panel | See Accessories | See Accessories | See Accessories |
| 14 | | Louvered Panel | See Accessories | See Accessories | See Accessories |
| 15 | | Louvered Panel | See Accessories | See Accessories | See Accessories |
| 16 | | Return/Supply Cover Assembly | AS-58992-01H | AS-58992-01H | AS-58992-01H |
| 17 | | Rear Panel (Includes Insulation, Filler Panel, and Stripping) | AS-58976-01H | AS-58976-01H | AS-58976-01H |
| 18 | | Filler Panel - (Return Air Filler) | AE-58974-01 | AE-58974-01 | AE-58974-01 |
| | | Filler Panel Stripping | AE-58897-10 | AE-58897-10 | AE-58897-10 |
| 19 | | Blower/Filter Access Panels (2) | AS-58990-01H | AS-58990-01H | AS-58990-01H |
| 20 | | Post - Left End | AS-58973-01H | AS-58973-01H | AS-58973-01H |
| 21 | | Front Panel Assembly | AS-59132-01H | AS-59132-01H | AS-59132-01H |
| 22 | | Electric Heat Access Panel Assembly | AS-58987-04H | AS-58987-04H | AS-58987-04H |
| | | Electric Heat Mounting Panel Assembly | AS-59122-01 | AS-59122-01 | AS-59122-01 |
| 23 | | Control Box Access Door | AS-103284-01H | AS-103284-01H | AS-103284-01H |
| 24a | | Control Box Insert Panel | AS-103283-01H | AS-103283-01H | AS-103283-01H |
| 24b | | Disconnect Plate | AS-90756-05H | AS-90756-05H | AS-90756-05H |
| 24c | | Receptacle Plate | AS-90756-02H | AS-90756-02H | AS-90756-02H |
| 25 | | Front Post | AS-103288-01H | AS-103288-01H | AS-103288-01H |
| 26 | | Indoor Coil Top Panel Assembly | AS-58979-01H | AS-58979-01H | AS-58979-01H |
| 27a | | Condenser Top Panel | AS-58981-01H | AS-58981-01H | AS-58981-01H |
| 27b | | Support - Condenser Top Panel | AE-58980-01 | AE-58980-01 | AE-58980-01 |
| 29 | | Wire Grille | 95-101660-01 | 95-101660-01 | 95-101660-01 |
| 31 | | Control Box (w/o components) | AS-103281-01 | AS-103281-01 | AS-103281-01 |

| No. | Notes | MODEL TECHNICAL VARIATION COOLING CAPACITY | RLQN- C 036 | RLQN- C 048 | RLQN- C 060 |
|---|-------|---|-------------------|-------------------|-------------------|
| PANELS, MISCELLANEOUS PARTS (Hinged Doors) | | | | | |
| 1 | | Base Rail - Side (2) | AE-58900-01 | AE-58900-01 | AE-58900-01 |
| 2 | | Base Rail - Condenser End | AE-58901-01 | AE-58901-01 | AE-58901-01 |
| 3 | | Base Rail - Evaporator End | AE-58902-01 | AE-58902-01 | AE-58902-01 |
| 4 | | Outdoor Coil Base Pan | AS-59051-03HT | AS-59051-03HT | AS-59051-03HT |
| 5 | | Indoor Coil Base Pan | AS-58910-05 | AS-58910-05 | AS-58910-05 |
| 6 | | Condenser Bulkhead Assembly | AS-103276-04HT | AS-103276-04HT | AS-103276-04HT |
| 7 | | Blower Bulkhead Assembly (Does not include Blower Extensions, Cover Plate, Insulation Retainer) | AS-103385-01 | AS-103385-01 | AS-103385-01 |
| 8 | | Blower Extension - Front | AE-58928-01 | AE-58928-01 | AE-58928-01 |
| 9 | | Blower Extension - Back | AE-58928-02 | AE-58928-02 | AE-58928-02 |
| | | Cover Plate (On the Blower Extension - Front to cover the Limit Control opening) | AE-76216-01 | AE-76216-01 | AE-76216-01 |
| | | Insulation Retainer | AE-59059-01 | AE-59059-01 | AE-59059-01 |
| 10 | | Wire Chase Insulation Assembly | AS-103291-01 | AS-103291-01 | AS-103291-01 |
| 11a | | Corner Post (2) | AE-58965-01HT | AE-58965-01HT | AE-58965-01HT |
| 11b | | Center Coil Post | N/A | N/A | N/A |
| 12 | | Front Corner Post ("L" Coil Only) | AE-104519-01HT | N/A | N/A |
| 13 | | Louvered Panel | See Accessories | See Accessories | See Accessories |
| 14 | | Louvered Panel | See Accessories | See Accessories | See Accessories |
| 15 | | Louvered Panel | See Accessories | See Accessories | See Accessories |
| 16 | | Supply/Return Cover Panels (2) | AS-58992-01HT | AS-58992-01HT | AS-58992-01HT |
| 17 | | Rear Panel (Includes Insulation, Filler Panel, Screws and Stripping) | AS-58976-03HT | AS-58976-03HT | AS-58976-03HT |
| 18 | | Filler Panel - Return Air | AE-58974-01HT | AE-58974-01HT | AE-58974-01HT |
| | | Rear Panel Stripping - Cut Length | AE-58897-10 | AE-58897-10 | AE-58897-10 |
| 19a | | Blower/Filter Door - Left | AS-102872-33HT | AS-102872-33HT | AS-102872-33HT |
| 19b | | Blower/Filter Door - Right | AS-102872-34HT | AS-102872-34HT | AS-102872-34HT |
| 19c | | Bracket - Bottom Panel (2) | AE-102859-26HT | AE-102859-26HT | AE-102859-26HT |
| 20 | | Post - Left End | AS-58973-02HT | AS-58973-02HT | AS-58973-02HT |
| 21 | | Front Panel Insulation Assembly | AS-59132-06HT | AS-59132-06HT | AS-59132-06HT |
| 22 | | Electric Heat Access Panel | AS-59121-02HT | AS-59121-02HT | AS-59121-02HT |
| | | Electric Heat Mounting Panel Assembly | AS-59122-01 | AS-59122-01 | AS-59122-01 |
| 23 | | Control Box Access Door (Includes Latch Assy and Gasket) | AS-102872-32HT | AS-102872-32HT | AS-102872-32HT |
| 23a | | Bracket - Top Panel | AE-102859-25HT | AE-102859-25HT | AE-102859-25HT |
| 23b | | Bracket - Middle Panel | AE-102859-28HT | AE-102859-28HT | AE-102859-28HT |
| 24a | | Control Box Insert Panel | AE-103283-01HT | AE-103283-01HT | AE-103283-01HT |
| 24b | | Disconnect Plate | AE-90756-05HT | AE-90756-05HT | AE-90756-05HT |
| 24c | | Receptacle Plate | AE-90756-02HT | AE-90756-02HT | AE-90756-02HT |
| 25 | | Front Post | AE-58967-01HT | AE-58967-01HT | AE-58967-01HT |
| 26 | | Indoor Coil Top Panel Assembly | AS-58979-04HT | AS-58979-04HT | AS-58979-04HT |
| 26a | | Bracket - Indoor Coil Top Panel | AE-102859-30HT | AE-102859-30HT | AE-102859-30HT |
| 27a | | Condenser Top Panel | AE-58981-01HT | AE-58981-01HT | AE-58981-01HT |
| 27b | | Support - Condenser Top Panel | AE-58980-01 | AE-58980-01 | AE-58980-01 |
| 29 | | Wire Grille | 95-101660-01 | 95-101660-01 | 95-101660-01 |
| 31 | | Control Box (w/o components) | AS-103281-01 | AS-103281-01 | AS-103281-01 |
| | | Control Box - Top | AE-103282-01 | AE-103282-01 | AE-103282-01 |

| No. | Notes | MODEL TECHNICAL VARIATION COOLING CAPACITY ELECTRIC DESIGNATION DRIVE PACKAGE | RLQN- C 036 C L/M | RLQN- C 048 C L/M | RLQN- C 060 C V |
|----------------------------------|-------|---|-------------------------------|-------------------------------|-----------------------------|
| ELECTRIC GROUP | | | | | |
| | | Outlet Box | 45-41952-02 | 45-41952-02 | 45-41952-02 |
| | | Receptacle Cover | 45-41953-02 | 45-41953-02 | 45-41953-02 |
| | | Receptacle - Ground Fault | 45-41954-01 | 45-41954-01 | 45-41954-01 |
| CONTROL BOX COMPONENTS: | | | | | |
| 35 | Stk | Capacitor (Fan Only) | See Fan Group | | |
| | | Strap - Capacitor | AE-50892-01 | AE-50892-01 | AE-50892-01 |
| 36 | Stk | Comfort Alert | 42-101504-03 | 42-101504-03 | 42-101504-03 |
| 37 | Stk | Blower Contactor - Belt Drive | 42-102664-08 | 42-102664-08 | N/A |
| 38 | Stk | Low Voltage Shield | AE-103285-01 | AE-103285-01 | AE-103285-01 |
| 39 | Stk | Compressor Contactor | 42-102664-08 | 42-102664-08 | 42-102664-08 |
| 40 | Stk | Transformer | 46-103324-04 | 46-103324-04 | 46-103324-04 |
| 41 | Stk | Unit Controller (RTU-C) | 47-102883-02 | 47-102883-02 | 47-102883-02 |
| MISCELLANEOUS COMPONENTS: | | | | | |
| | | Low Ambient Control | See Accessories | | |
| 91 | | Low Pressure Control | See Compressor Group | | |
| 92 | | High Pressure Control | See Compressor Group | | |
| | Stk | ECM Interface Control Board | N/A | N/A | 62-24340-03 |
| | | Pressure Switch Assembly - (Clogged Filter and Fan Proving) | 42-103320-27 | 42-103320-27 | 42-103320-27 |
| WIRING HARNESES: | | | | | |
| | | Wiring Harness (Blower Motor) - 16 pin to 16 pin insulated terminals | N/A | N/A | 45-24258-10 |
| | | Wiring Harness (Blower Motor) - 5 pin to three terminals | N/A | N/A | 45-24258-30 |
| | | Wiring Harness - Twist Loc 6 Pin to (6 Pin 3 Strip Leads) | 45-102819-03 | 45-102819-03 | 45-102819-03 |
| | | Jumper - 7 Pin Connector (Unit Configuration) | 45-42522-103 | 45-42522-103 | 45-42522-104 |
| | | Jumper - 12 pin Connector for RTU-C (1 wire w/Resistor) | | N/A | 45-42522-125 |
| | | Wiring Harness - Economizer (8 Pin and 9 Pin) to (12 Pin, 4 Pin, 4 Connectors, and 2 Sensors) | 45-42522-107 | 45-42522-107 | 45-42522-107 |
| | | Bypass Plug - Economizer 12 Pin | AS-61997-55 | AS-61997-55 | AS-61997-55 |
| | | Wiring Harness - 14 Pin to (two 2 Pin Connectors and 2 Sensors) | N/A | N/A | 45-42522-124 |
| | | Wiring Harness - 14 Pin to (two 2 Pin Connectors and 2 Sensors) | 45-42522-111 | 45-42522-111 | N/A |

| No. | Notes | MODEL TECHNICAL VARIATION COOLING CAPACITY ELECTRIC DESIGNATION DRIVE PACKAGE | RLQN- C 036 D L/M | RLQN- C 048 D L/M | RLQN- C 060 D V |
|----------------------------------|-------|---|-------------------------------|-------------------------------|-----------------------------|
| ELECTRIC GROUP | | | | | |
| | | Outlet Box | 45-41952-02 | 45-41952-02 | 45-41952-02 |
| | | Receptacle Cover | 45-41953-02 | 45-41953-02 | 45-41953-02 |
| | | Receptacle - Ground Fault | 45-41954-01 | 45-41954-01 | 45-41954-01 |
| CONTROL BOX COMPONENTS: | | | | | |
| 35 | Stk | Capacitor (Fan Only) | See Fan Group | | |
| | | Strap - Capacitor | AE-50892-01 | AE-50892-01 | AE-50892-01 |
| 36 | Stk | Comfort Alert | 42-101504-03 | 42-101504-03 | 42-101504-03 |
| 37 | Stk | Blower Contactor - Belt Drive | 42-102664-08 | 42-102664-08 | N/A |
| 38 | Stk | Low Voltage Shield | AE-103285-01 | AE-103285-01 | AE-103285-01 |
| 39 | Stk | Compressor Contactor | 42-102664-08 | 42-102664-08 | 42-102664-08 |
| 40 | Stk | Transformer | 46-103395-05 | 46-103395-05 | 46-103395-05 |
| 41 | Stk | Unit Controller (RTU-C) | 47-102883-02 | 47-102883-02 | 47-102883-02 |
| MISCELLANEOUS COMPONENTS: | | | | | |
| | | Low Ambient Control | See Accessories | | |
| 91 | | Low Pressure Control | See Compressor Group | | |
| 92 | | High Pressure Control | See Compressor Group | | |
| | Stk | ECM Interface Control Board | N/A | N/A | 62-24340-03 |
| | Stk | Stepdown Transformer | N/A | N/A | 46-104792-01 |
| | | Pressure Switch Assembly - (Clogged Filter and Fan Proving) | 42-103320-27 | 42-103320-27 | 42-103320-27 |
| WIRING HARNESES: | | | | | |
| | | Transformer Whip | N/A | N/A | 45-104790-01 |
| | | Wiring Harness (Blower Motor) - 16 pin to 16 pin insulated terminals | N/A | N/A | 45-24258-10 |
| | | Wiring Harness - Fused (from Rooftop Unit Control to Control Transformer) | N/A | N/A | 45-102415-02 |
| | | Wiring Harness (Blower Motor) - 5 pin to three terminals | N/A | N/A | 45-24258-30 |
| | | Wiring Harness - Twist Loc 6 Pin to (6 Pin 3 Strip Leads) | 45-102819-03 | 45-102819-03 | 45-102819-03 |
| | | Jumper - 7 Pin Connector (Unit Configuration) | 45-42522-103 | 45-42522-103 | 45-42522-104 |
| | | Jumper - 12 pin Connector for RTU-C (1 wire w/Resistor) | N/A | N/A | 45-42522-125 |
| | | Wiring Harness - Economizer (8 Pin and 9 Pin) to (12 Pin, 4 Pin, 4 Connectors, and 2 Sensors) | 45-42522-107 | 45-42522-107 | 45-42522-107 |
| | | Bypass Plug - Economizer 12 Pin | AS-61997-55 | AS-61997-55 | AS-61997-55 |
| | | Wiring Harness - 14 Pin to (two 2 Pin Connectors and 2 Sensors) | N/A | N/A | 45-42522-124 |
| | | Wiring Harness - 14 Pin to (two 2 Pin Connectors and 2 Sensors) | 45-42522-111 | 45-42522-111 | N/A |

| No. | Notes | MODEL TECHNICAL VARIATION COOLING CAPACITY ELECTRICAL DESIGNATION | RLQN- C 036 C | RLQN- C 048 C | RLQN- C 060 C |
|------------------|-------|--|------------------------|------------------------|-----------------------------|
| FAN GROUP | | | | | |
| 32 | Stk | Fan Motor | 51-100998-05 | 51-100998-05 | 51-100998-13 |
| 35 | Stk | Capacitor - Fan Motor | 43-100496-04 | 43-100496-04 | 43-100496-12 |
| 34 | Stk | Fan Blade | 70-23594-01 | 70-23594-01 | 70-42484-01 |

| No. | Notes | MODEL TECHNICAL VARIATION COOLING CAPACITY ELECTRICAL DESIGNATION | RLQN- C 036 D | RLQN- C 048 D | RLQN- C 060 D |
|------------------|-------|--|------------------------|------------------------|-----------------------------|
| FAN GROUP | | | | | |
| 32 | Stk | Fan Motor | 51-100998-07 | 51-100998-07 | 51-100998-12 |
| 35 | Stk | Capacitor - Fan Motor | 43-100496-04 | 43-100496-04 | 43-100496-12 |
| 34 | Stk | Fan Blade | 70-23594-01 | 70-23594-01 | 70-42484-01 |

| No. | Notes | MODEL TECHNICAL VARIATION COOLING CAPACITY ELECTRICAL DESIGNATION DRIVE PACKAGE | RLQN- C 036 C L | RLQN- C 036 D L | RLQN- C 048 C L | RLQN- C 048 D L |
|-------------------------------------|-------|---|-----------------------------|-----------------------------|-----------------------------|-----------------------------|
| BLOWER ASSEMBLY - BELT DRIVE | | | | | | |
| 62 | Stk | Blower Assembly (includes items 63-73, excluding items 67 and 72b) | AS-101336-01 | AS-101336-01 | AS-101336-01 | AS-101336-05 |
| 63 | | Housing | AS-101341-01 | AS-101341-01 | AS-101341-01 | AS-101341-01 |
| 64 | Stk | Bearing Frame Tri-Arm (2) | 70-41723-03 | 70-41723-03 | 70-41723-03 | 70-41723-03 |
| 65 | Stk | Ball Bearing and Cushion (2) | 70-41911-01 | 70-41911-01 | 70-41911-01 | 70-41911-01 |
| 66 | Stk | Blower Shaft | 70-21933-02 | 70-21933-02 | 70-21933-02 | 70-21933-02 |
| 67 | Stk | Fixed Pitch Sheave | 71-100772-04 | 71-100772-04 | 71-100772-04 | 71-21932-03 |
| 68 | | Blower Support - Left | AE-58950-02 | AE-58950-02 | AE-58950-02 | AE-58950-02 |
| 69 | Stk | Wheel | 70-23589-01 | 70-23589-01 | 70-23589-01 | 70-23589-01 |
| 70 | | Cut-Off Tabulation | AE-64401-05 | AE-64401-05 | AE-64401-05 | AE-64401-05 |
| 74 | Stk | Blower Motor | 51-42579-01 | 51-42579-01 | 51-42579-01 | 51-42579-01 |
| 75 | Stk | Variable Pitch Sheave | 71-40427-30 | 71-40427-30 | 71-40427-29 | 71-40427-29 |
| 76 | Stk | Belt | 71-40235-43 | 71-40235-43 | 71-40235-43 | 71-40235-43 |

| No. | Notes | MODEL TECHNICAL VARIATION COOLING CAPACITY ELECTRICAL DESIGNATION DRIVE PACKAGE | RLQN- C 036 C M | RLQN- C 036 D M | RLQN- C 048 C M | RLQN- C 048 D M |
|-------------------------------------|-------|---|-----------------------------|-----------------------------|-----------------------------|-----------------------------|
| BLOWER ASSEMBLY - BELT DRIVE | | | | | | |
| 62 | Stk | Blower Assembly (includes items 63-73, excluding items 67 and 72b) | AS-101336-05 | AS-101336-05 | AS-101336-05 | AS-101336-05 |
| 63 | | Housing | AS-101341-01 | AS-101341-01 | AS-101341-01 | AS-101341-01 |
| 64 | Stk | Bearing Frame Tri-Arm (2) | 70-41723-03 | 70-41723-03 | 70-41723-03 | 70-41723-03 |
| 65 | Stk | Ball Bearing and Cushion (2) | 70-41911-01 | 70-41911-01 | 70-41911-01 | 70-41911-01 |
| 66 | Stk | Blower Shaft | 70-21933-02 | 70-21933-02 | 70-21933-02 | 70-21933-02 |
| 67 | Stk | Fixed Pitch Sheave | 71-21932-03 | 71-21932-03 | 71-21932-03 | 71-21932-03 |
| 68 | | Blower Support - Left | AE-58950-02 | AE-58950-02 | AE-58950-02 | AE-58950-02 |
| 69 | Stk | Wheel | 70-23589-01 | 70-23589-01 | 70-23589-01 | 70-23589-01 |
| 70 | | Cut-Off Tabulation | AE-64401-05 | AE-64401-05 | AE-64401-05 | AE-64401-05 |
| 74 | Stk | Blower Motor | 51-21909-01 | 51-21909-01 | 51-21909-01 | 51-21909-01 |
| 75 | Stk | Variable Pitch Sheave | 71-40427-25 | 71-40427-25 | 71-40427-25 | 71-40427-25 |
| 76 | Stk | Belt | 71-40235-43 | 71-40235-43 | 71-40235-43 | 71-40235-43 |

| No. | Notes | MODEL TECHNICAL VARIATION COOLING CAPACITY ELECTRICAL DESIGNATION DRIVE PACKAGE | RLQN- C 036-048 C/D L/M | | | |
|---|-------|---|-------------------------------------|--|--|--|
| BLOWER MOTOR MOUNTING - BELT DRIVE | | | | | | |
| 71 | | Blower Bracket | AE-101124-01 | | | |
| 72 | | Blower Bracket - Drive Side | AE-101124-04 | | | |
| 72a | | Grommet (Flat) | 56-18518-04 | | | |
| 72b | | Cross Brace | AE-101467-01 | | | |
| 73 | | Motor Mount Assembly | AS-101340-01 | | | |

| No. | Notes | MODEL TECHNICAL VARIATION COOLING CAPACITY ELECTRIC DESIGNATION DRIVE PACKAGE | RLQN- C 060 C V | RLQN- C 060 D V |
|------------------------------------|-------|---|------------------------------|------------------------------|
| BLOWER GROUP - DIRECT DRIVE | | | | |
| 53 | Stk | Blower Assembly (Items 54-61) | AS-59050-36 | AS-59050-36 |
| 54 | | Housing | AS-101342-01 | AS-101342-01 |
| 55 | Stk | Blower Wheel | 70-23592-02 | 70-23592-02 |
| 56 | | Cut-Off Tabulation | AE-64401-18 | AE-64401-18 |
| 57 | Stk | Blower Motor | 51-104306-32 | 51-104306-32 |
| 58 | | Capacitor - Blower Motor | N/A | N/A |
| 59 | | Motor Band | 70-19927-03 | 70-19927-03 |
| 60 | | Motor Mounting Arm (3) | 70-19929-09 | 70-19929-09 |
| 61 | | Blower Support - Back Side | AE-58950-02 | AE-58950-02 |
| | | Blower Support Bracket - Drive Side | AE-59174-01 | AE-59174-01 |

| No. | Notes | MODEL TECHNICAL VARIATION COOLING CAPACITY | RLQN- C 036 | RLQN- C 048 | RLQN- C 060 |
|-------------------------|-------|---|---------------------|---------------------|---------------------|
| COIL GROUP | | | | | |
| | | Filter Keeper | AE-59168-01 | AE-59168-01 | AE-59168-01 |
| EVAPORATOR COIL: | | | | | |
| 80 | Stk | Evaporator Coil (Coil and Frame Assembly) | AS-104531-02 | AS-104531-01 | AS-104531-01 |
| | Stk | TXV - Sporlan | 61-102211-34 | 61-102211-33 | 61-102211-32 |
| 81 | | Top Air Stop | AE-58933-01 | AE-58933-01 | AE-58933-01 |
| 82 | | Top Coil Support | AE-58941-01 | AE-58941-01 | AE-58941-01 |
| 83 | Stk | Indoor Coil Drain Pan | 68-23559-01 | 68-23559-01 | 68-23559-01 |
| 85 | | Filter Channels (3) Center Is Two Channels Back To Back | AE-58934-01 | AE-58934-01 | AE-58934-01 |
| | | Filter Keeper | AE-59168-01 | AE-59168-01 | AE-59168-01 |
| 86 | | Filter - Disposable (2) | 54-17531-10 | 54-17531-10 | 54-17531-10 |
| CONDENSER COIL: | | | | | |
| 84a | Stk | Condenser Coil | AS-104518-02 | AS-104518-01 | AS-104518-01 |
| 84b | | Pad - Bottom Coil | 68-104248-03 (4) | 68-104248-03 (5) | 68-104248-03 (5) |
| 84c | | Pad - Top Coil | 68-20243-01 | 68-20243-01 | 68-20243-01 |
| 84d | | Coil Filler Plate (2) | AS-104545-03H | AS-104545-03H | AS-104545-03H |
| 84e | | Stripping | 68-42246-06 | 68-42246-06 | 68-42246-06 |
| | Stk | Filter Drier | 83-22755-03 | 83-22755-03 | 83-22755-03 |

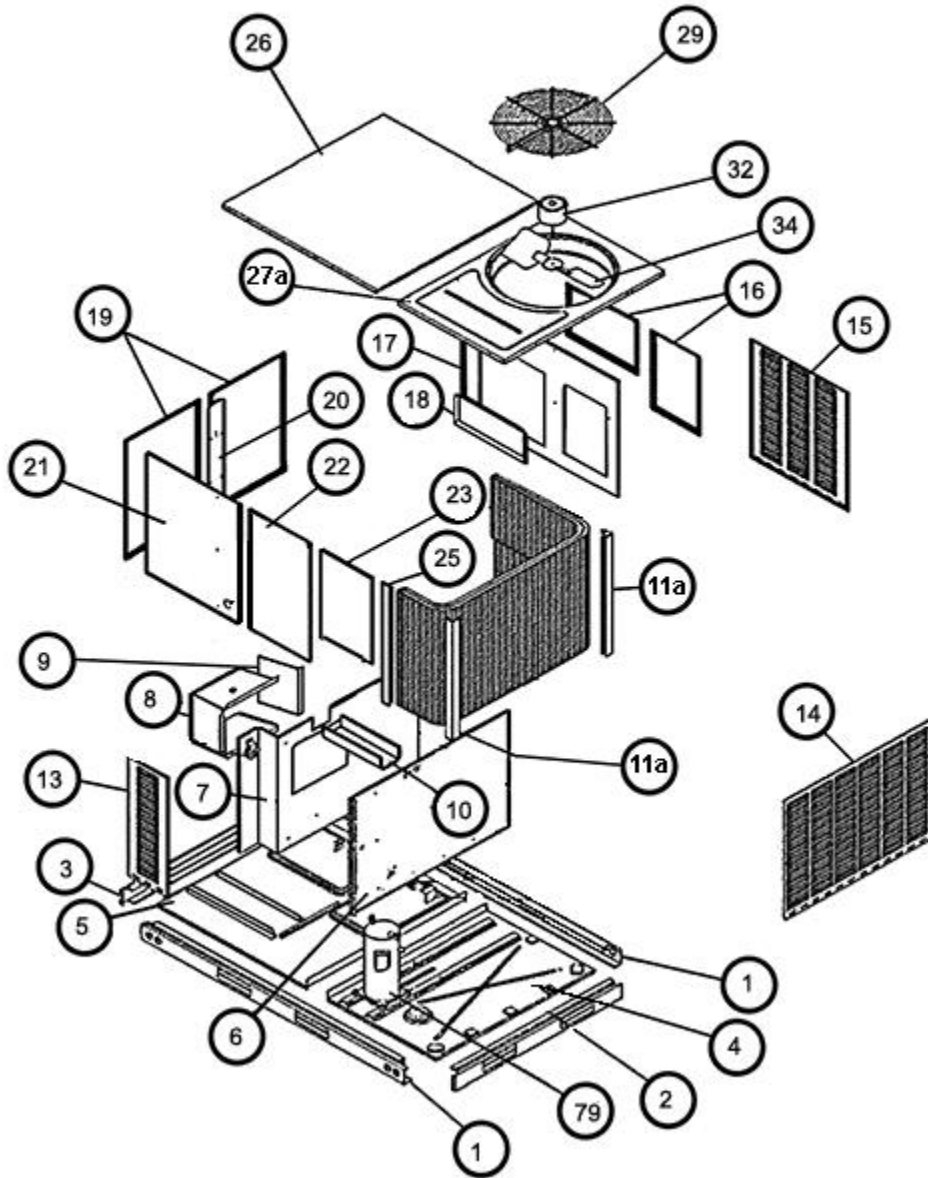
| No. | Notes | MODEL TECHNICAL VARIATION COOLING CAPACITY ELECTRICAL DESIGNATION | RLQN- C 036 C | RLQN- C 036 D |
|-------------------------|-------|--|------------------------------|------------------------------|
| COMPRESSOR GROUP | | | | |
| | | Compressor ID: | 8744 | 8745 |
| 35 | | Capacitor - Fan | See Fan Group | |
| 39 | | Compressor Contactor | See Electric Group | |
| 79 | Stk | Compressor | 55-102045-90S | 55-102045-91S |
| 91 | Stk | Low Pressure Control | 47-102240-03 | 47-102240-03 |
| 92 | Stk | High Pressure Control | 47-23699-04 | 47-23699-04 |
| | Stk | Compressor Wiring Harness (Molded Plug) | 45-100834-80 | 45-100834-80 |

| No. | Notes | MODEL TECHNICAL VARIATION COOLING CAPACITY ELECTRICAL DESIGNATION | RLQN- C 048 C | RLQN- C 048 D |
|-------------------------|-------|--|------------------------------|------------------------------|
| COMPRESSOR GROUP | | | | |
| | | Compressor ID: | 8746 | 8747 |
| 35 | | Capacitor - Fan | See Fan Group | |
| 39 | | Compressor Contactor | See Electric Group | |
| 79 | Stk | Compressor | 55-102045-08S | 55-102045-07S |
| 91 | Stk | Low Pressure Control | 47-102240-03 | 47-102240-03 |
| 92 | Stk | High Pressure Control | 47-23699-04 | 47-23699-04 |
| | Stk | Compressor Wiring Harness (Molded Plug) | 45-100834-80 | 45-100834-80 |

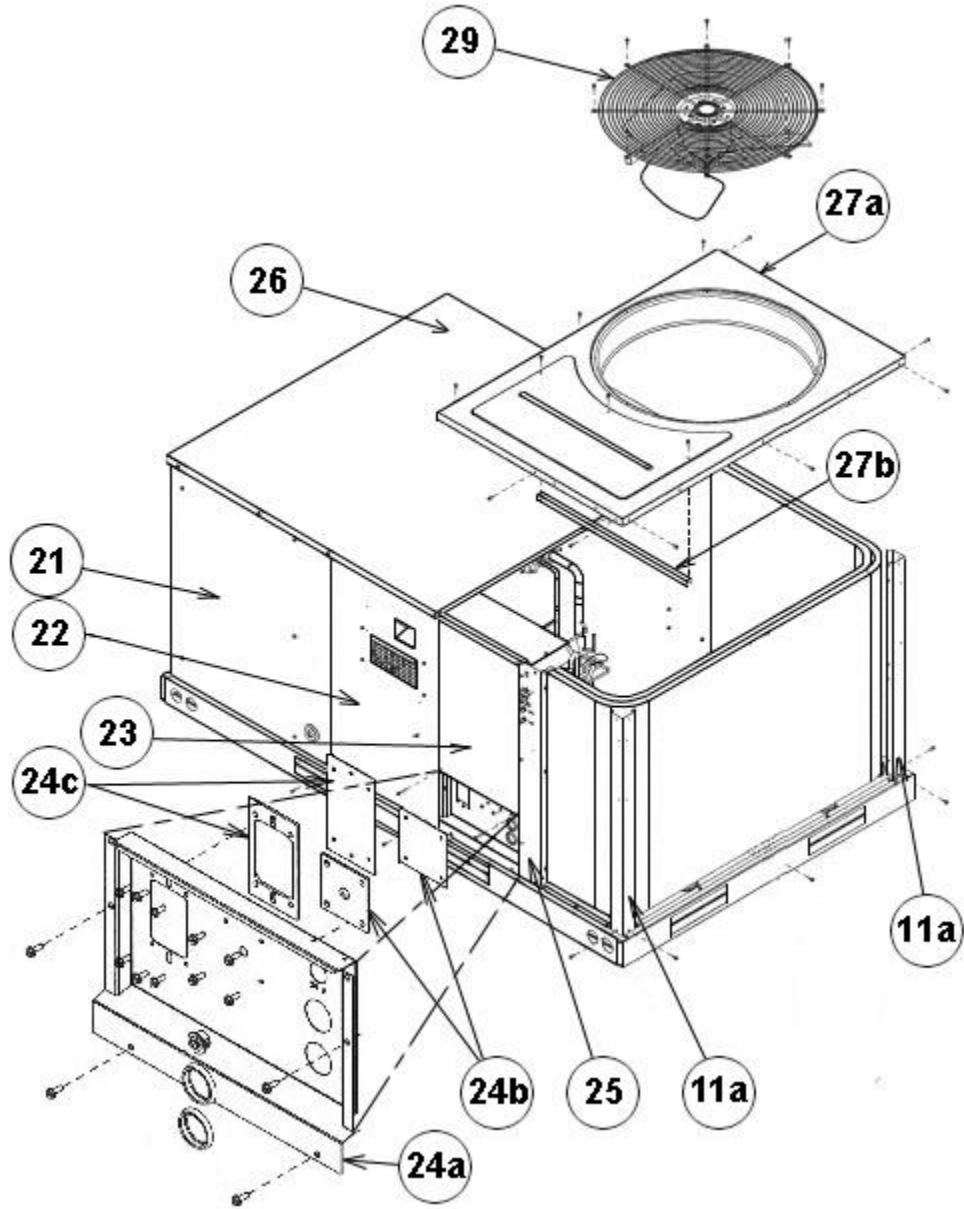
| No. | Notes | MODEL TECHNICAL VARIATION COOLING CAPACITY ELECTRICAL DESIGNATION | RLQN- C 060 C | RLQN- C 060 D |
|-------------------------|-------|--|------------------------------|------------------------------|
| COMPRESSOR GROUP | | | | |
| | | Compressor ID: | 8748 | 8749 |
| 35 | | Capacitor - Fan | See Fan Group | |
| 39 | | Compressor Contactor | See Electric Group | |
| 79 | Stk | Compressor | 55-23156-43S | 55-23156-44S |
| 91 | Stk | Low Pressure Control | 47-102240-03 | 47-102240-03 |
| 92 | Stk | High Pressure Control | 47-23699-04 | 47-23699-04 |
| | | Compressor Wiring Harness (Low Voltage - Molded Plug) | 45-101723-04 | 45-101723-04 |
| | Stk | Compressor Wiring Harness (Line Voltage - Molded Plug) | 45-100834-80 | 45-100834-80 |

| No. | Notes | MODEL TECHNICAL VARIATION COOLING CAPACITY ELECTRICAL DESIGNATION | RLQN- C 036-060 C | RLQN- C 036-060 D |
|--------------------|-------|--|----------------------------|----------------------------|
| HEATER KITS | | | | |
| | | Heater Kit - 6kW | RXJJ-A06C | RXJJ-A06D |
| | | Heater Kit - 10kW | RXJJ-A10C | RXJJ-A10D |
| | | Heater Kit - 12kW | RXJJ-A12C | RXJJ-A12D |
| | | Heater Kit - 15kW | RXJJ-A15C | RXJJ-A15D |
| | | Heater Kit - 20kW | RXJJ-A20C | RXJJ-A20D |
| | | Heater Kit - 24kW | RXJJ-A24C | RXJJ-A24D |

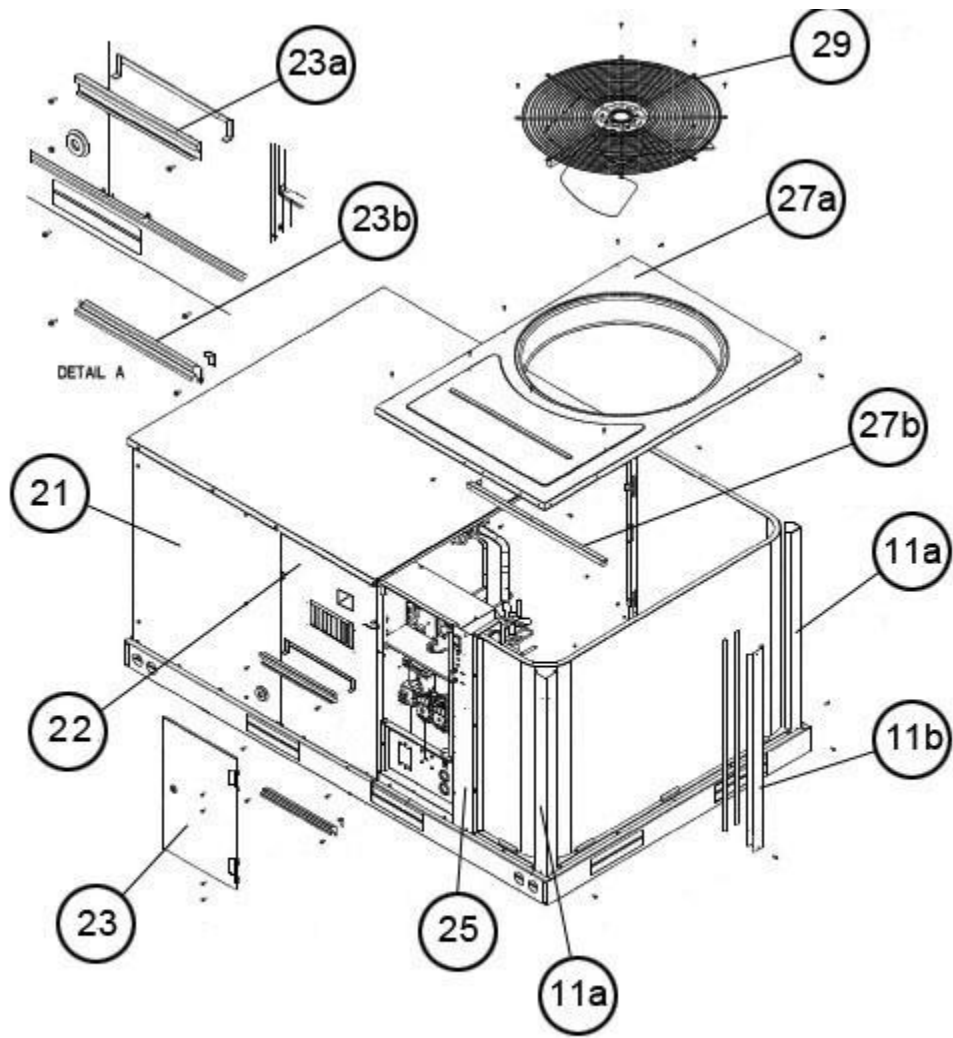
| No. | Notes | MODEL TECHNICAL VARIATION COOLING CAPACITY | RLQN- C 036-060 |
|--------------------------------|-------|---|-----------------------|
| OPTIONS AND ACCESSORIES | | | |
| | | DDC Economizer with Single Enthalpy and Barometric Relief | AXRD-TKCM3 |
| | | DDC Economizer with Single Enthalpy, Smoke Detector and Barometric Relief | AXRD-UKCM3 |
| | | DDC Economizer with Single Enthalpy and Barometric Relief | AXRD-01RKCCM3 |
| | | DDC Economizer with Single Enthalpy, Smoke Detector and Barometric Relief | AXRD-01RKCDM3 |
| | | Dual Enthalpy Kit | RXXR-AV02 |
| | | CO2 Sensor | RXXR-AR02 |
| | | Convenience Outlet (Non-powered) | RXXR-AN02 |
| | | Power Exhaust - C Voltage | AXRX-BGF04C |
| | | Power Exhaust - D Voltage | AXRX-BGF04D |
| | | Fresh Air Damper Manual | AXRF-FBA1 |
| | | Fresh Air Damper Motorized | AXRF-FBB1 |
| | | Louver Kit - (3 Sides) - 4 & 5 ton | AXRX-AAD01B |
| | | Louver Kit - (2 Sides) - 3 ton | AXRX-AAD02B |
| | | Comfort Alert | RXXR-AZ01 |
| | | BACnet Communication Card | RXXR-AY01 |
| | | Lonworks Communication Card | RXXR-AY02 |
| | | Low Ambient Control | RXRZ-A04 |



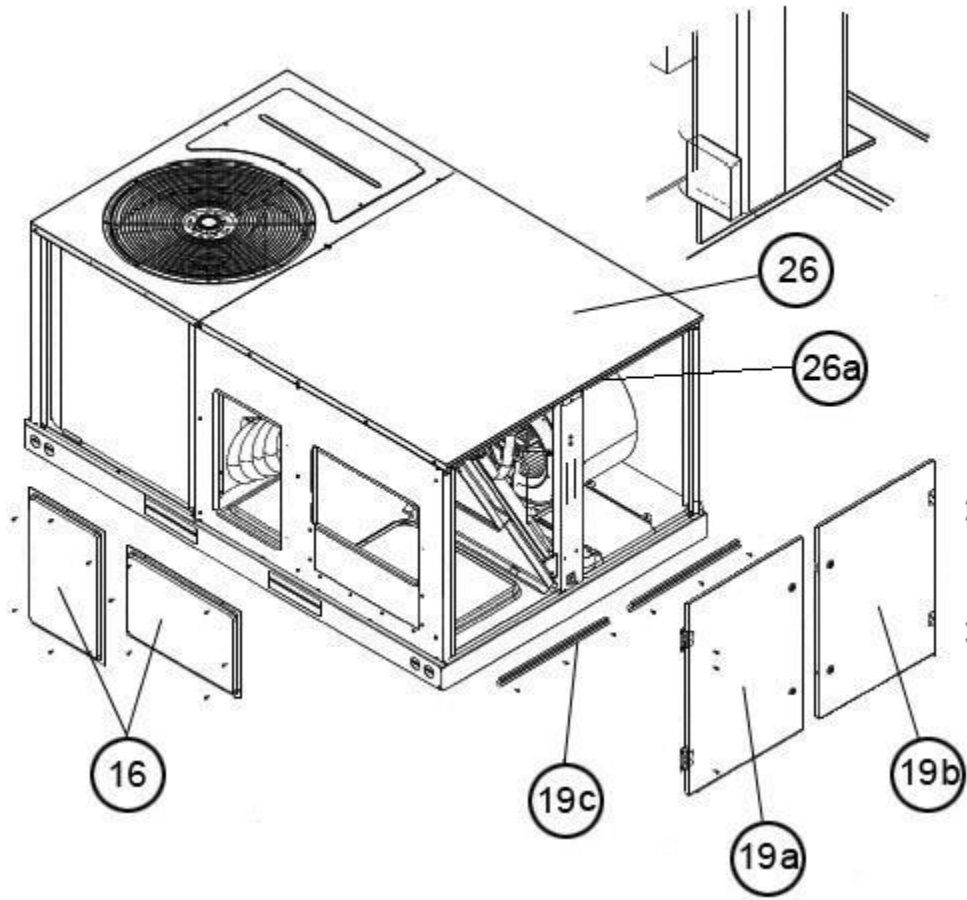
Exploded View 036-060



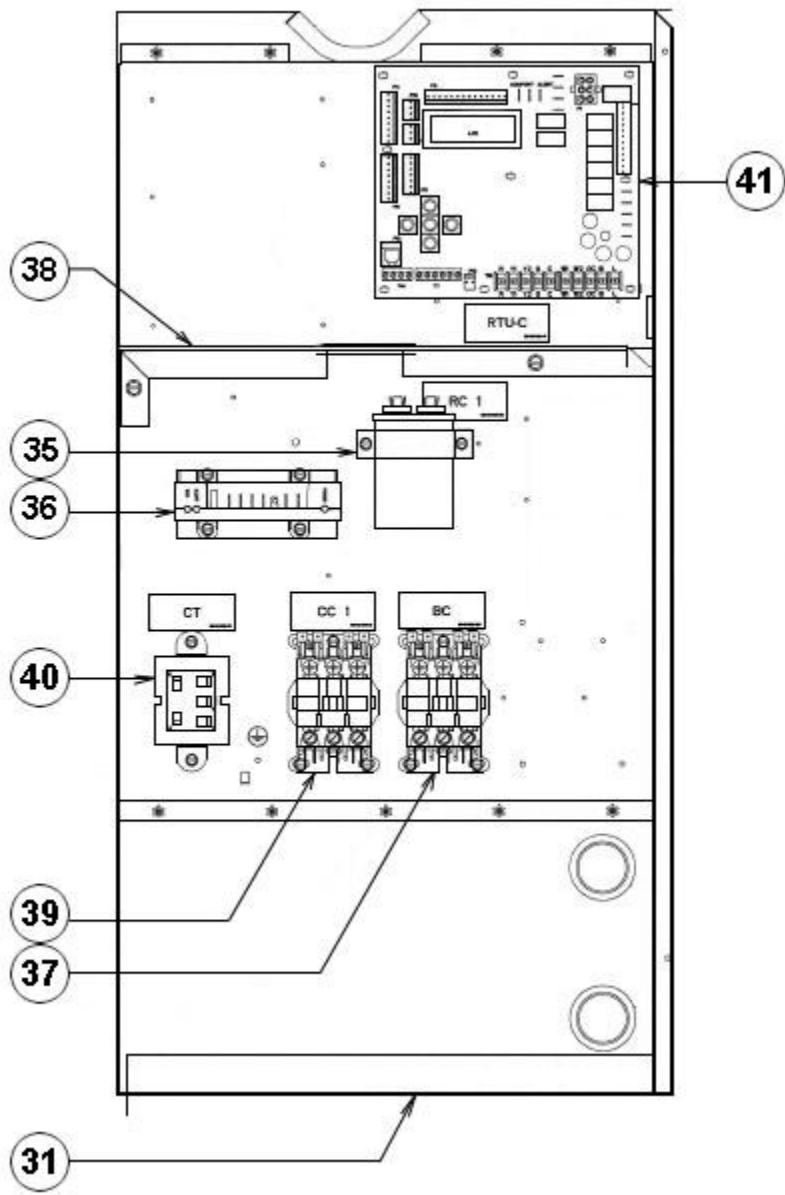
Top Panel View 036-060



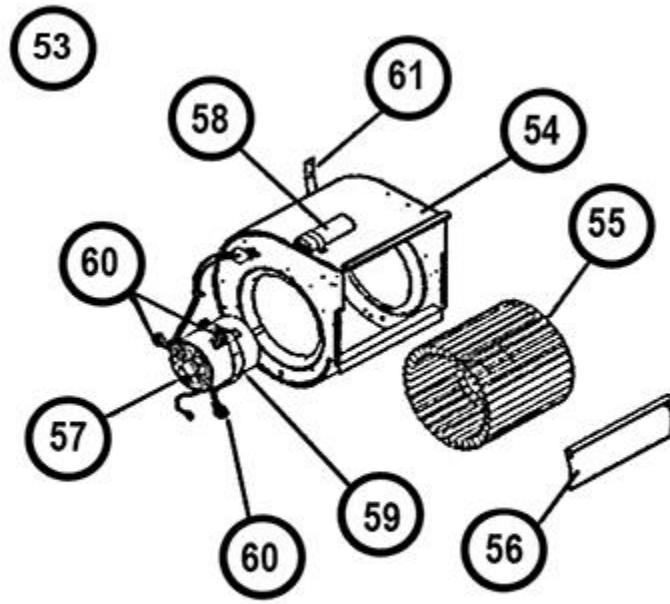
Top Panel View (Hinged-Panels)



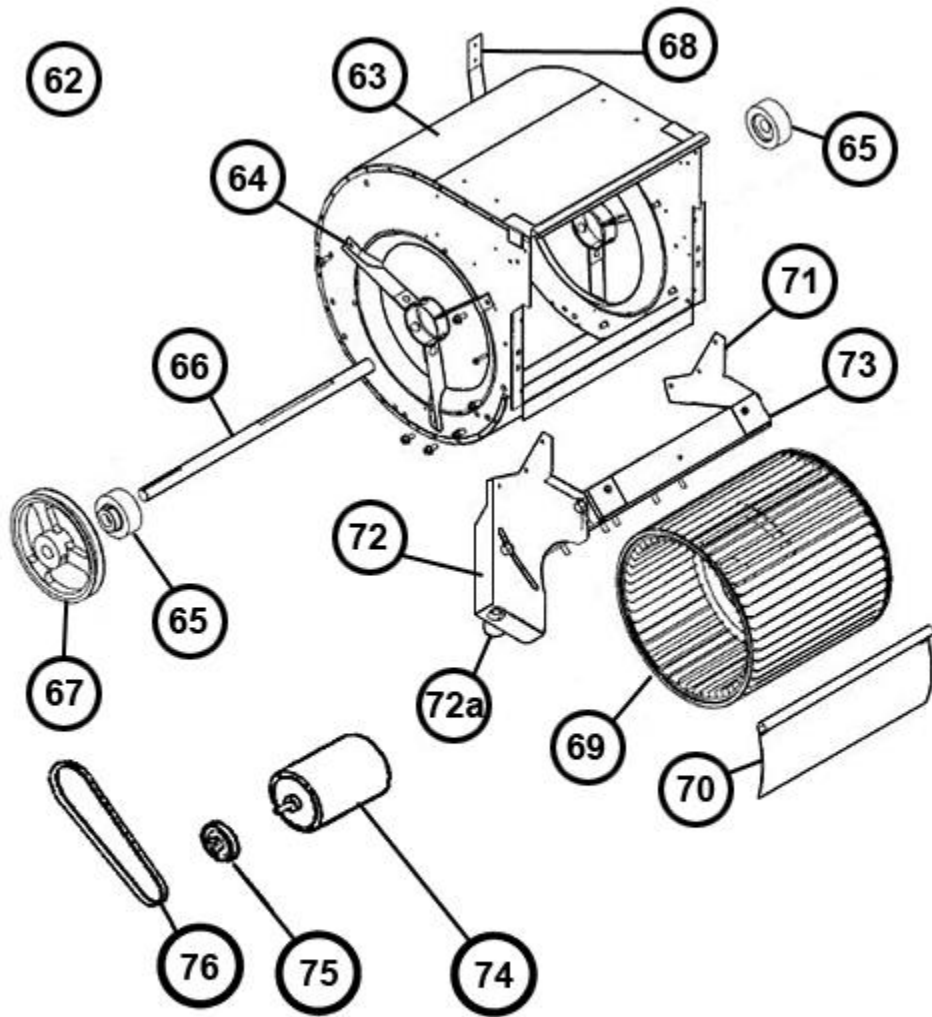
End Panel View (Hinged Panels)



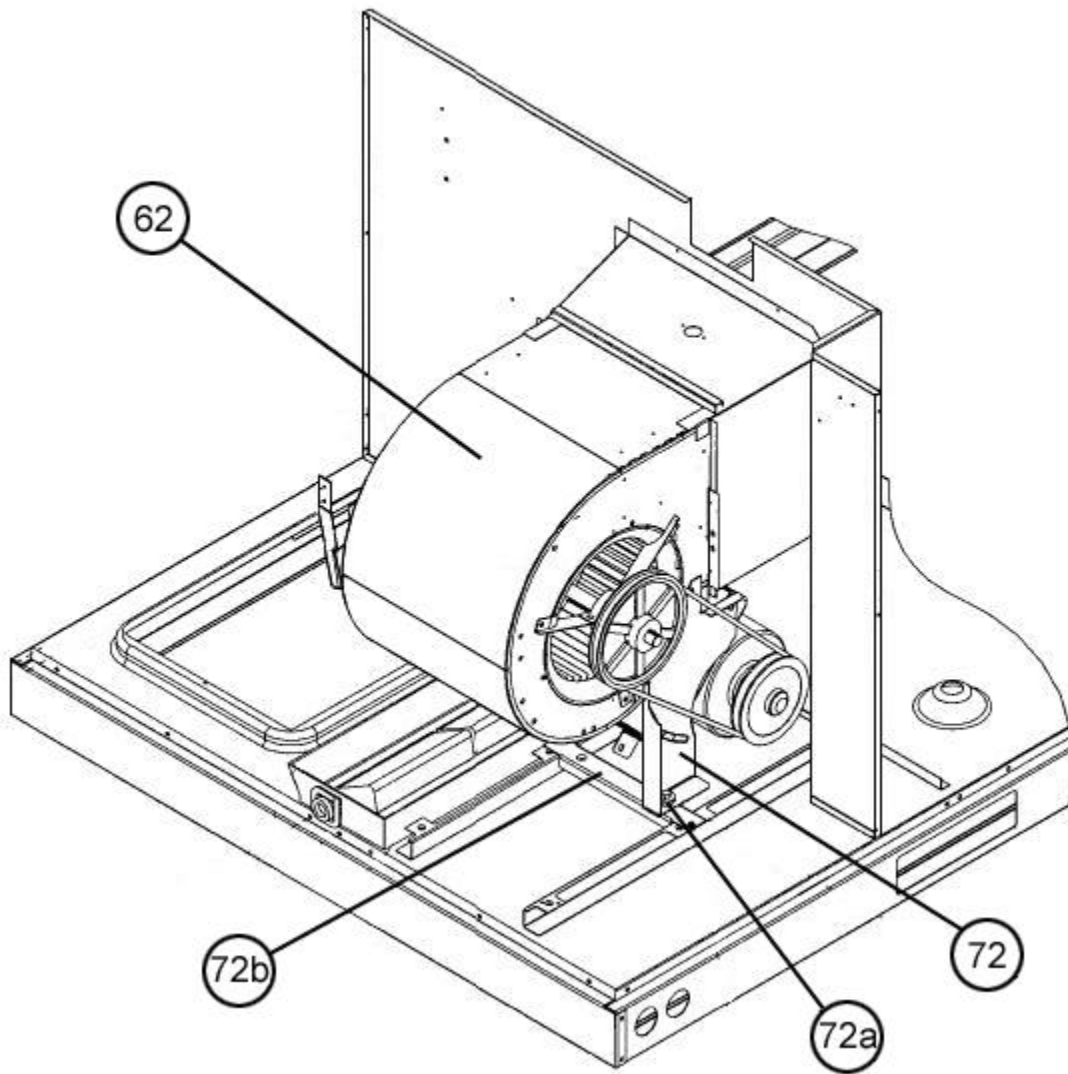
Control Box 036-060



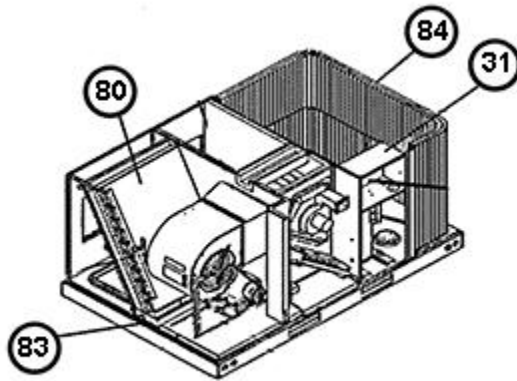
Blower Assembly - Direct Drive



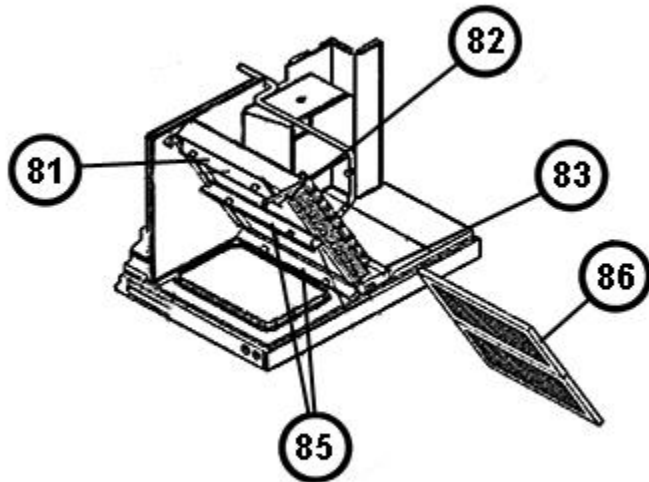
Blower Assembly - Belt Drive



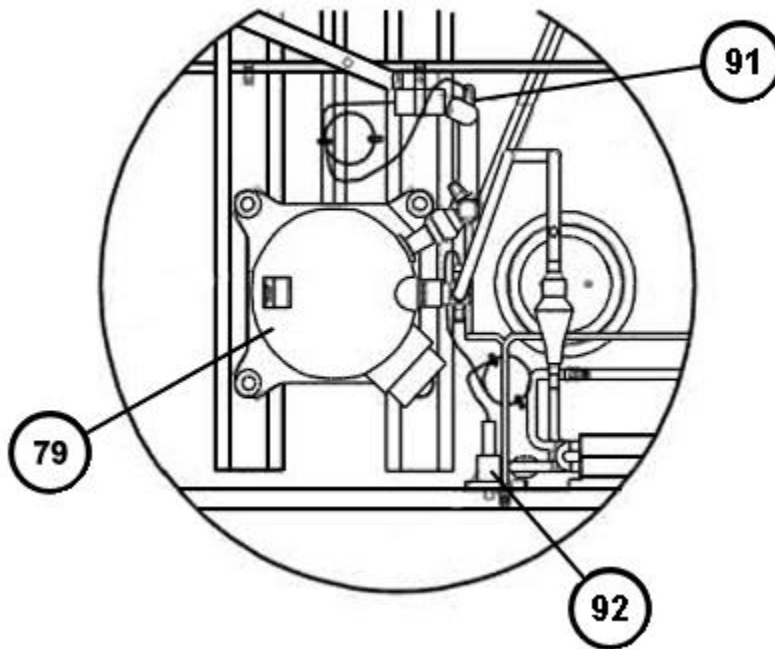
Blower Motor Mount Assembly 036-060



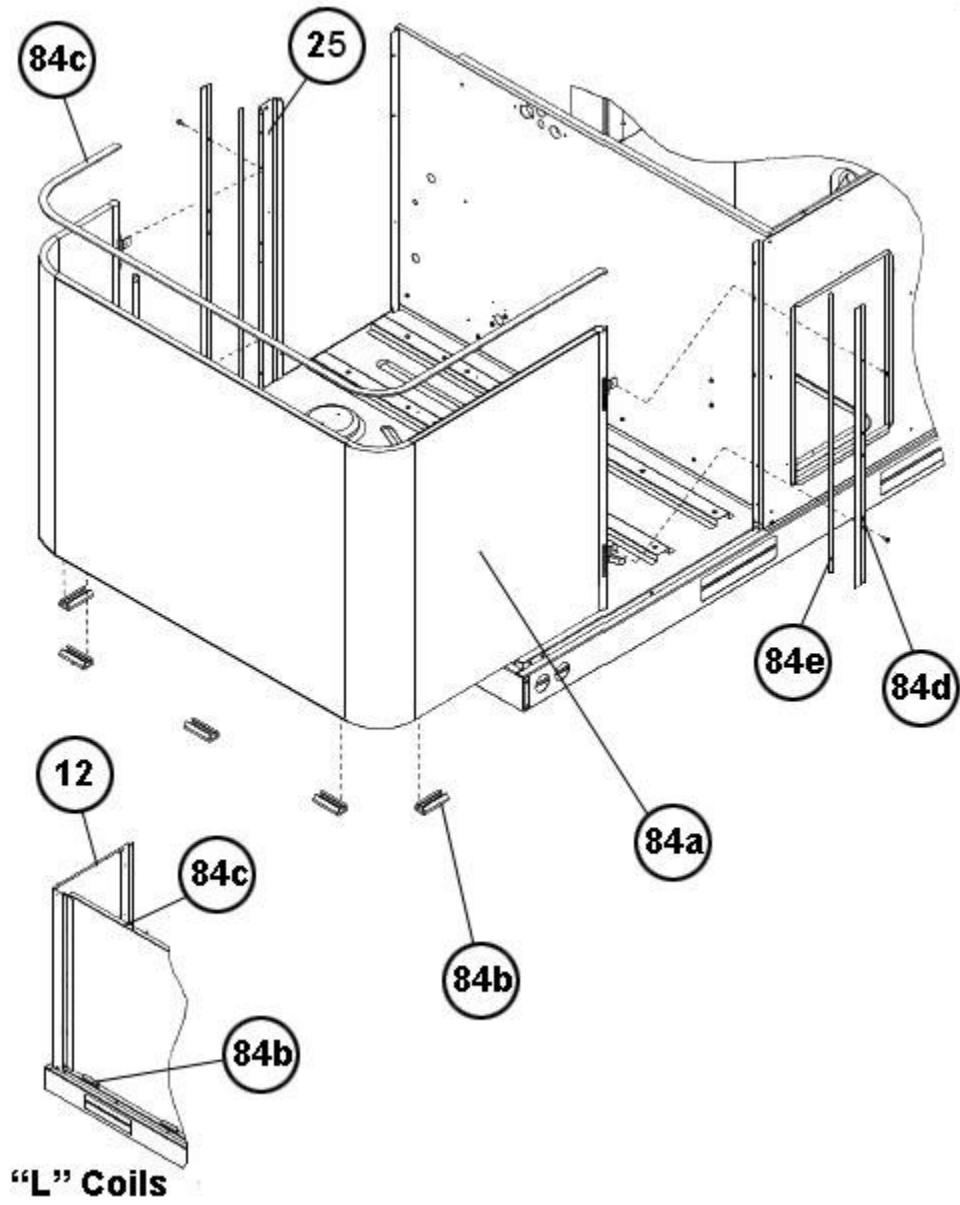
Coil Group Cut-away View 036-060



Evaporator Coil - Filter Parts 036-060



Compressor - Refrigeration Group 036-060



"L" Coils

Condenser Coil Pads 036-060

NOTES

Stk It is recommended that stock be maintained for this part.
N/A Not Applicable

DISCLAIMER: This document is intended to provide general replacement parts information to aid qualified service personnel in the repair of these models. The complete Model and Serial Number of the unit under repair should be specified when selecting and ordering replacement parts. Specifications and illustrations are subject to change without notice. Document 92-42800-RLQN-C supersedes all previous parts lists for these models. See <http://www.rheempartslists.net/92-42800-RLQN-C> for the latest revision of this document. The manufacturer assumes no obligation for errors or omissions. Service personnel must verify the proper and safe operation of equipment after the replacement of any original components.