



RLPN-A

Parts List
15-May-2020



*This parts list is current as of the above revision date.
See <http://www.rheempartslists.net/92-42800-RLPN-A.pdf> for the current revision.*

Package Air Conditioners - Commercial

Table of Contents

Model Explanation	Page 3
Parts Numbers	
Panels - Misc	Page 4
Panels - Misc (Hinged Panels)	Page 5
Electrical Group	Page 6
Fan Group	Page 7
Blower Group - Direct Drive	Page 8
Blower Group - Belt Drive 03-04	Page 9
Blower Group - Belt Drive 05	Page 10
Coil Parts	Page 11
Compressor Group	Page 12
Heater Kits	Page 13
Accessories	Page 13
Drawings/Photographs	
Exploded View	Page 14
End Panel View (Hinged Panels)	Page 15
Top Panel (Hinged Panels)	Page 16
Control Box	Page 17
Blower Assembly - Direct Drive	Page 17
Blower Assembly - Belt Drive	Page 18
Blower Motor Mount Assembly - Belt Drive	Page 19
Coil Group Cut-away View	Page 20
Evaporator Coil - Filter Parts	Page 20
Compressor - Refrigeration Group	Page 21
Condenser Coil Pads	Page 22
Notes/Disclaimer	Page 23

MODEL NUMBER EXPLANATION

R	L	P	N	-	A	0	3	6	J	K	0	0	0	A	C	A
1	2	3	4		5		6		7	8		9		10		11

- (1) **TRADENAME IDENTIFICATION**
- (2) **L = PACKAGED AIR CONDITIONER - COMMERCIAL**
- (3) **EFFICIENCY DESIGNATION**
 N = (13 SEER) Q = (15 SEER)
 P = (14 SEER)
- (4) **DESIGN SERIES**
 N = Design Series (R-410A)
- (5) **TECHNICAL VARIATIONS**
- (6) **COOLING CAPACITY (BTU/HR) kW**
 036 = 36,000 10.55
 048 = 48,000 14.07
 060 = 60,000 17.58
- (7) **ELECTRICAL DESIGNATION**
 J = 208-230/1/60
 C = 208-230/3/60
 D = 460/3/60
 Y = 575/3/60
- (8) **DRIVE PACKAGE**
 K = Direct Drive
 L = Belt Drive
 M = Belt Drive - High Static
- (9) **HEATING CAPACITY - (MBH)**
 000 = No Resistance Heat
 006 = 6 kW Resistance Heat
 010 = 10 kW Resistance Heat
 012 = 12 kW Resistance Heat
 015 = 15 kW Resistance Heat
 020 = 20 kW Resistance Heat
 024 = 24 kW Resistance Heat
- (10) **FACTORY INSTALLED OPTION CODES**
- (11) **ECONOMIZER OPTION**

SERIAL NUMBER EXPLANATION

F	0	8	1	3	9	9	9	9	9
1	2		3					4	

- 1 **PLANT CODE**
- 2 **WEEK OF PRODUCTION**
- 3 **YEAR OF PRODUCTION**
- 4 **PRODUCTION NUMBER**

Note: For Compressor Identification Number, see Compressor Code on Rating Plate

No.	Notes	MODEL TECHNICAL VARIATIONS COOLING CAPACITY	RLPN- A 036	RLPN- A 048	RLPN- A 060
PANELS, MISCELLANEOUS PARTS (Non-Hinged Panels)					
1		Base Rail - Side (2)	AE-58900-01	AE-58900-01	AE-58900-01
2		Base Rail - Condenser End	AE-58901-01	AE-58901-01	AE-58901-01
3		Base Rail - Evaporator End	AE-58902-01	AE-58902-01	AE-58902-01
4		Outdoor Coil Base Pan	AS-59051-03H	AS-59051-03H	AS-59051-03H
5		Indoor Coil Base Pan	AS-58910-05	AS-58910-05	AS-58910-05
6		Condenser Bulkhead Assembly	AS-59126-06	AS-59126-06	AS-59126-06
		Limit Shield Assembly	AS-59152-01	AS-59152-01	AS-59152-01
7		Blower Bulkhead Assembly (Does not include Front Blower Extension, Back Blower Extension, Insulation Retainer or Cover Plate)	AS-103385-01	AS-103385-01	AS-103385-01
8		Blower Extension - Front	AE-58928-01	AE-58928-01	AE-58928-01
9		Blower Extension - Back	AE-58928-02	AE-58928-02	AE-58928-02
		Cover Plate (On the Blower Extension - Front to cover the Limit Control opening)	AE-76216-01	AE-76216-01	AE-76216-01
		Insulation Retainer	AE-59059-01	AE-59059-01	AE-59059-01
10		Wire Chase Assembly	AS-103291-01	AS-103291-01	AS-103291-01
11		Corner Post	AS-58965-01H (1)	AS-58965-01H (2)	AS-58965-01H (2)
12		Front Corner Post ("L" Coil Only)	AS-104519-01H	N/A	N/A
13		Louvered Panel		See Accessories	
14		Louvered Panel		See Accessories	
15		Louvered Panel		See Accessories	
16		Return/Supply Cover Assembly	AS-58992-01H	AS-58992-01H	AS-58992-01H
17		Rear Panel (Includes Insulation, Filler Panel, and Stripping)	AS-58976-01H	AS-58976-01H	AS-58976-01H
18		Filler Panel - (Return Air Filler)	AS-58974-01H	AS-58974-01H	AS-58974-01H
		Filler Panel Stripping	AE-58897-10	AE-58897-10	AE-58897-10
19		Blower/Filter Access Panels (2)	AS-58990-01H	AS-58990-01H	AS-58990-01H
20		Post - Left End	AS-58973-01H	AS-58973-01H	AS-58973-01H
21		Front Panel Assembly	AS-59132-01H	AS-59132-01H	AS-59132-01H
22		Electric Heat Access Panel Assembly	AS-59121-02H	AS-59121-02H	AS-59121-02H
23		Compressor Access Panel	AS-58983-02H	AS-58983-02H	AS-58983-02H
24		Power Entry Panel	AS-58968-03H	AS-58968-03H	AS-58968-03H
25		Front Post	AS-58967-01H	AS-58967-01H	AS-58967-01H
26		Indoor Coil Top Panel	AS-58979-01H	AS-58979-01H	AS-58979-01H
27		Condenser Top Panel	AS-58982-01H	AS-58982-01H	AS-58982-01H
28		Front Post/Center Coil Post			
29		Wire Grille	95-101660-01	95-101660-01	95-101660-01
31		Control Box (w/o components)	AS-59039-01	AS-59039-01	AS-59039-01

No.	Notes	MODEL TECHNICAL VARIATIONS COOLING CAPACITY	RLPN- A 048
PANELS, MISCELLANEOUS PARTS (Hinged Panels)			
1		Base Rail - Side (2)	AE-58900-01
2		Base Rail - Condenser End	AE-58901-01
3		Base Rail - Evaporator End	AE-58902-01
4		Outdoor Coil Base Pan	AS-59051-03HT
5		Indoor Coil Base Pan	AS-58910-05
6		Condenser Bulkhead Assembly	AS-59126-08HT
		Limit Shield Assembly	AS-59152-01
7		Blower Bulkhead Assembly (Does not include Front Blower Extension, Back Blower Extension, Insulation Retainer or Cover Plate)	AS-103385-01
8		Blower Extension - Front	AE-58928-01
9		Blower Extension - Back	AE-58928-02
		Cover Plate (On the Blower Extension - Front to cover the Limit Control opening)	AE-76216-01
		Insulation Retainer	AE-59059-01
10		Wire Chase Assembly	AS-103291-01
11		Corner Post (2)	AE-58965-01HT
12		Front Corner Post ("L" Coil Only)	N/A
13		Louvered Panel	See Accessories
14		Louvered Panel	See Accessories
15		Louvered Panel	See Accessories
16a		Supply/Return Panel	AS-58992-01HT
16b		Supply/Return Panel	AS-58992-01HT
17		Rear Panel (Includes Insulation, Filler Panel, and Stripping)	AS-58976-03HT
18		Filler Panel - (Return Air Filler)	AS-58974-01H
		Filler Panel Stripping	AE-58897-10
19a		Blower/Filter Door - Left	AS-102872-33HT
19b		Blower/Filter Door - Right	AS-102872-34HT
19c		Bracket - Bottom Panel (2)	AE-102859-26HT
20		Post - Left End Assembly	AS-58973-02HT
21		Front Panel Assembly	AS-59132-01H
22		Electric Heat Access Panel Assembly	AS-59121-02HT
23a		Control Box Access Panel	AS-102872-35HT
23b		Compressor Access Panel	AE-58983-07HT
23c		Bracket - Top	AE-102859-31HT
23d		Bracket - Middle	AE-102859-32HT
24		Power Entry Panel	AE-58968-03HT
25		Front Post/Center Coil Post (2)	AE-58967-01HT
26		Indoor Coil Top Panel	AS-58979-04HT
26a		Bracket - Top Panel	AE-102859-30HT
27		Condenser Top Panel	AS-58982-01HT
29		Wire Grille	95-101660-01
31		Control Box (w/o components)	AS-59039-01

No.	Notes	MODEL TECHNICAL VARIATION COOLING CAPACITY ELECTRICAL DESIGNATION	RLPN- A 036 C	RLPN- A 036 D	RLPN- A 036 J	RLPN- A 036 Y	RLPN- A 048 C
ELECTRIC GROUP							
CONTROL BOX COMPONENTS:							
33		Capacitor - Fan Motor				See Fan Group	
35		Blower Relay				See Blower Group	
36		Blower Time Delay Relay (Sequencing Relay)				See Blower Group	
37		Blower Contactor				See Blower Group	
38		Compressor Time Delay Relay				See Accessories	
39	Stk	Compressor Contactor	42-102664-08	42-102664-08	42-42478-04	42-102664-08	42-102664-08
40	Stk	Transformer	46-101904-02	46-23600-02	46-101904-02	46-23600-02	46-101904-02
41		Terminal Block (Strip)	45-23591-01	45-23591-01	45-23591-01	45-23591-01	45-23591-01
WIRING HARNESES:							
		Bypass Plug - Economizer (12 Pin)	AS-61997-55	AS-61997-55	AS-61997-55	AS-61997-55	AS-61997-55
		Winging Harness - Economizer (12 Pin)	45-42522-109	45-42522-109	45-42522-109	45-42522-109	45-42522-109
		Wiring Harness - with 6 pin to Heater Kit	45-102819-01	45-102819-01	45-102819-02	45-102819-01	45-102819-01
MISCELLANEOUS COMPONENTS:							
		Low Ambient Control				See Accessories	
91		Low Pressure Control				See Compressor Group	
92		High Pressure Control				See Compressor Group	

No.	Notes	MODEL TECHNICAL VARIATION COOLING CAPACITY ELECTRICAL DESIGNATION	RLPN- A 048 D	RLPN- A 048 J	RLPN- A 048 Y	RLPN- A 060 C	RLPN- A 060 D
ELECTRIC GROUP							
CONTROL BOX COMPONENTS:							
33		Capacitor - Fan Motor				See Fan Group	
35		Blower Relay				See Blower Group	
36		Blower Time Delay Relay (Sequencing Relay)				See Blower Group	
37		Blower Contactor				See Blower Group	
38		Compressor Time Delay Relay				See Accessories	
39	Stk	Compressor Contactor	42-102664-08	42-102664-10	42-102664-08	42-102664-08	42-102664-08
40	Stk	Transformer	46-23600-02	46-101904-02	46-23600-02	46-101904-02	46-23600-02
41		Terminal Block (Strip)	45-23591-01	45-23591-01	45-23591-01	45-23591-01	45-23591-01
WIRING HARNESES:							
		Bypass Plug - Economizer (12 Pin)	AS-61997-55	AS-61997-55	AS-61997-55	AS-61997-55	AS-61997-55
		Winging Harness - Economizer (12 Pin)	45-42522-109	45-42522-109	45-42522-109	45-42522-109	45-42522-109
		Wiring Harness - with 5 pin to Heater Kit	45-102819-01	45-102819-02	45-102819-01	45-102819-01	45-102819-01
MISCELLANEOUS COMPONENTS:							
		Low Ambient Control				See Accessories	
91		Low Pressure Control				See Compressor Group	
92		High Pressure Control				See Compressor Group	

No.	Notes	MODEL TECHNICAL VARIATION COOLING CAPACITY ELECTRICAL DESIGNATION	RLPN- A 060 J	RLPN- A 060 Y			
ELECTRIC GROUP							
CONTROL BOX COMPONENTS:							
33		Capacitor - Fan Motor				See Fan Group	
35		Blower Relay				See Blower Group	
36		Blower Time Delay Relay (Sequencing Relay)				See Blower Group	
37		Blower Contactor				See Blower Group	
38		Compressor Time Delay Relay				See Accessories	
39	Stk	Compressor Contactor	42-102664-10	42-102664-08			
40	Stk	Transformer	46-101904-02	46-23600-02			
41		Terminal Block (Strip)	45-23591-01	45-23591-01			
WIRING HARNESES:							
		Bypass Plug - Economizer (12 Pin)	AS-61997-55	AS-61997-55			
		Winging Harness - Economizer (12 Pin)	45-42522-109	45-42522-109			
		Wiring Harness - with 5 pin to Heater Kit	45-102819-02	45-102819-01			
MISCELLANEOUS COMPONENTS:							
		Low Ambient Control				See Accessories	
91		Low Pressure Control				See Compressor Group	
92		High Pressure Control				See Compressor Group	

No.	Notes	MODEL TECHNICAL VARIATION COOLING CAPACITY ELECTRICAL DESIGNATION	RLPN- A 036 C	RLPN- A 036 D	RLPN- A 036 J	RLPN- A 036 Y	RLPN- A 048 C
FAN GROUP							
32	Stk	Fan Motor	51-100998-05	51-100998-07	51-100998-05	51-100998-14	51-100998-05
33	Stk	Capacitor - Fan Motor	43-100496-04	43-100496-04	See Compressor Group	43-100496-11	43-100496-04
34	Stk	Fan Blade	70-23594-01	70-23594-01	70-23594-01	70-23594-01	70-23594-01
		Capacitor Adaptor Plate	AE-54609-02	AE-54609-02	N/A	AE-54609-02	AE-54609-02

No.	Notes	MODEL TECHNICAL VARIATION COOLING CAPACITY ELECTRICAL DESIGNATION	RLPN- A 048 D	RLPN- A 048 J	RLPN- A 048 Y	RLPN- A 060 C	RLPN- A 060 D
FAN GROUP							
32	Stk	Fan Motor	51-100998-07	51-100998-05	51-100998-14	51-100998-13	51-100998-12
33	Stk	Capacitor - Fan Motor	43-100496-04	See Compressor Group	43-100496-11	43-100496-12	43-100496-12
34	Stk	Fan Blade	70-23594-01	70-23594-01	70-23594-01	70-42484-01	70-42484-01
		Capacitor Adaptor Plate	AE-54609-02	N/A	AE-54609-02	AE-54609-02	AE-54609-02

No.	Notes	MODEL TECHNICAL VARIATION COOLING CAPACITY ELECTRICAL DESIGNATION	RLPN- A 060 J	RLPN- A 060 Y			
FAN GROUP							
32	Stk	Fan Motor	51-100998-13	51-100998-14			
33	Stk	Capacitor - Fan Motor	See Compressor Group	43-100496-11			
34	Stk	Fan Blade	70-42484-01	70-42484-01			
		Capacitor Adaptor Plate	N/A	AE-54609-02			

No.	Notes	MODEL TECHNICAL VARIATION COOLING CAPACITY ELECTRICAL DESIGNATION DRIVE PACKAGE	RLPN- A 036 C K	RLPN- A 036 D K	RLPN- A 036 J K	RLPN- A 048 C K
BLOWER ASSEMBLY GROUP - DIRECT DRIVE						
35	Stk	Blower Relay	42-101208-01	42-101208-04	42-101208-01	42-101208-01
36	Stk	Blower Time Delay Relay (Sequencing Relay)	42-21593-03	42-21593-03	42-21593-03	42-21593-03
37	Stk	Blower Contactor	N/A	42-102664-08	N/A	N/A
53	Stk	Blower Assembly (Items 54-61)	AS-59050-03	AS-59050-09	AS-59050-03	AS-59050-03
54		Housing	AS-58944-01	AS-58944-01	AS-58944-01	AS-58944-01
55	Stk	Wheel	70-23110-30	70-23110-30	70-23110-30	70-23110-30
56		Cut-Off Tabulation	AE-64401-05	AE-64401-05	AE-64401-05	AE-64401-05
57	Stk	Blower Motor	51-23679-01	51-23679-02	51-23679-01	51-23679-01
58	Stk	Capacitor - Blower Motor	43-100496-12	43-100496-12	43-100496-12	43-100496-12
		Capacitor Strap	AE-50892-01	AE-50892-01	AE-50892-01	AE-50892-01
59		Motor Band	70-19927-01	70-19927-01	70-19927-01	70-19927-01
60		Motor Mounting Arm (3)	70-19929-02	70-19929-02	70-19929-02	70-19929-02
61		Blower Support - (Left Side)	AE-58950-02	AE-58950-02	AE-58950-02	AE-58950-02
		Blower Support - (Motor Side)	AE-59060-01	AE-59060-01	AE-59060-01	AE-59060-01

No.	Notes	MODEL TECHNICAL VARIATION COOLING CAPACITY ELECTRICAL DESIGNATION DRIVE PACKAGE	RLPN- A 048 D K	RLPN- A 048 J K	RLPN- A 060 C K	RLPN- A 060 D K
BLOWER ASSEMBLY GROUP - DIRECT DRIVE						
35	Stk	Blower Relay	42-101208-04	42-101208-01	42-21571-08	42-21571-08
36	Stk	Blower Time Delay Relay (Sequencing Relay)	42-21593-03	42-21593-03	N/A	N/A
37	Stk	Blower Contactor	42-102664-08	N/A	N/A	N/A
53	Stk	Blower Assembly (Items 54-61)	AS-59050-09	AS-59050-03	AS-59050-18	AS-59050-31
54		Housing	AS-58944-01	AS-58944-01	AS-58944-01	AS-58944-01
55	Stk	Wheel	70-23110-30	70-23110-30	70-23110-30	70-23110-30
56		Cut-Off Tabulation	AE-64401-05	AE-64401-05	AE-64401-05	AE-64401-05
57	Stk	Blower Motor	51-23679-02	51-23679-01	51-101984-08	51-103624-03
58	Stk	Capacitor - Blower Motor	43-100496-12	43-100496-12	N/A	N/A
		Capacitor Strap	AE-50892-01	AE-50892-01	N/A	N/A
59		Motor Band	70-19927-01	70-19927-01	70-19927-03	70-19927-03
60		Motor Mounting Arm (3)	70-19929-02	70-19929-02	70-19929-09	70-19929-09
61		Blower Support - (Left Side)	AE-58950-02	AE-58950-02	AE-58950-02	AE-58950-02
		Blower Support - (Motor Side)	AE-59060-01	AE-59060-01	AE-59060-01	AE-59060-01

No.	Notes	MODEL TECHNICAL VARIATION COOLING CAPACITY ELECTRICAL DESIGNATION DRIVE PACKAGE	RLPN- A 060 J K			
BLOWER ASSEMBLY GROUP - DIRECT DRIVE						
35	Stk	Blower Relay	42-21571-08			
36	Stk	Blower Time Delay Relay (Sequencing Relay)	N/A			
37	Stk	Blower Contactor	N/A			
53	Stk	Blower Assembly (Items 54-61)	AS-59050-18			
54		Housing	AS-58944-01			
55	Stk	Wheel	70-23110-30			
56		Cut-Off Tabulation	AE-64401-05			
57	Stk	Blower Motor	51-101984-08			
58		Capacitor - Blower Motor	N/A			
		Capacitor Strap	N/A			
59		Motor Band	70-19927-03			
60		Motor Mounting Arm (3)	70-19929-09			
61		Blower Support - (Left Side)	AE-58950-02			
		Blower Support - (Motor Side)	AE-59060-01			

No.	Notes	MODEL TECHNICAL VARIATION COOLING CAPACITY ELECTRICAL DESIGNATION DRIVE PACKAGE	RLPN- A 036 C L	RLPN- A 036 C M	RLPN- A 036 D L	RLPN- A 036 D M	RLPN- A 036 Y L	RLPN- A 036 Y M
BLOWER GROUP - BELT DRIVE								
35	Stk	Blower Relay	42-101208-01	42-101208-01	42-101208-04	42-101208-04	42-101208-01	42-101208-01
36	Stk	Blower Time Delay Relay (Sequencing Relay)	42-21593-03	42-21593-03	42-21593-03	42-21593-03	42-21593-03	42-21593-03
37	Stk	Blower Contactor	42-102664-08	42-102664-08	42-102664-08	42-102664-08	42-102664-08	42-102664-08
74	Stk	Blower Motor	51-42579-01	51-21909-01	51-42579-01	51-21909-01	51-22241-02	51-22241-02
75	Stk	Variable Pitch Sheave	71-40427-30	71-40427-25	71-40427-30	71-40427-25	71-40427-30	71-40427-25
76	Stk	Belt	71-40235-43	71-40235-43	71-40235-43	71-40235-43	71-40235-43	71-40235-43
62	Stk	Blower Assembly (Items 63-73, excluding Items 67 and 72b)	AS-101336-01	AS-101336-05	AS-101336-01	AS-101336-05	AS-101336-01	AS-101336-05
63		Housing	AS-101341-01	AS-101341-01	AS-101341-01	AS-101341-01	AS-101341-01	AS-101341-01
64	Stk	Bearing Frame Tri-Arm (2)	70-41723-03	70-41723-03	70-41723-03	70-41723-03	70-41723-03	70-41723-03
65	Stk	Ball Bearing and Cushion (2)	70-41911-01	70-41911-01	70-41911-01	70-41911-01	70-41911-01	70-41911-01
66	Stk	Blower Shaft	70-21933-02	70-21933-02	70-21933-02	70-21933-02	70-21933-02	70-21933-02
67	Stk	Fixed Pitch Sheave	71-100772-04	71-21932-03	71-100772-04	71-21932-03	71-100772-04	71-21932-03
68		Blower Support - Left	AE-58950-02	AE-58950-02	AE-58950-02	AE-58950-02	AE-58950-02	AE-58950-02
69	Stk	Wheel	70-23589-01	70-23589-01	70-23589-01	70-23589-01	70-23589-01	70-23589-01
70		Cut-Off Tabulation	AE-64401-05	AE-64401-05	AE-64401-05	AE-64401-05	AE-64401-05	AE-64401-05

No.	Notes	MODEL TECHNICAL VARIATION COOLING CAPACITY ELECTRICAL DESIGNATION DRIVE PACKAGE	RLPN- A 048 C L	RLPN- A 048 C M	RLPN- A 048 D L	RLPN- A 048 D M	RLPN- A 048 Y L	RLPN- A 048 Y M
BLOWER GROUP - BELT DRIVE								
35	Stk	Blower Relay	42-101208-01	42-101208-01	42-101208-04	42-101208-04	42-101208-01	42-101208-01
36	Stk	Blower Time Delay Relay (Sequencing Relay)	42-21593-03	42-21593-03	42-21593-03	42-21593-03	42-21593-03	42-21593-03
37	Stk	Blower Contactor	42-102664-08	42-102664-08	42-102664-08	42-102664-08	42-102664-08	42-102664-08
74	Stk	Blower Motor	51-42579-01	51-21909-01	51-42579-01	51-21909-01	51-22241-02	51-22241-02
75	Stk	Variable Pitch Sheave	71-40427-29	71-40427-25	71-40427-29	71-40427-25	71-40427-29	71-40427-25
76	Stk	Belt	71-40235-43	71-40235-43	71-40235-43	71-40235-43	71-40235-43	71-40235-43
62	Stk	Blower Assembly (Items 63-73, excluding Items 67 and 72b)	AS-101336-01	AS-101336-05	AS-101336-05	AS-101336-05	AS-101336-01	AS-101336-05
63		Housing	AS-101341-01	AS-101341-01	AS-101341-01	AS-101341-01	AS-101341-01	AS-101341-01
64	Stk	Bearing Frame Tri-Arm (2)	70-41723-03	70-41723-03	70-41723-03	70-41723-03	70-41723-03	70-41723-03
65	Stk	Ball Bearing and Cushion (2)	70-41911-01	70-41911-01	70-41911-01	70-41911-01	70-41911-01	70-41911-01
66	Stk	Blower Shaft	70-21933-02	70-21933-02	70-21933-02	70-21933-02	70-21933-02	70-21933-02
67	Stk	Fixed Pitch Sheave	71-100772-04	71-21932-03	71-21932-03	71-21932-03	71-100772-04	71-21932-03
68		Blower Support - Left	AE-58950-02	AE-58950-02	AE-58950-02	AE-58950-02	AE-58950-02	AE-58950-02
69	Stk	Wheel	70-23589-01	70-23589-01	70-23589-01	70-23589-01	70-23589-01	70-23589-01
70		Cut-Off Tabulation	AE-64401-05	AE-64401-05	AE-64401-05	AE-64401-05	AE-64401-05	AE-64401-05

No.	Notes	MODEL TECHNICAL VARIATION DRIVE PACKAGE	RLPN- A L/M					
MOTOR MOUNTING								
71		Blower Bracket	AE-101124-01					
72		Blower Bracket - Drive Side	AE-101124-04					
72a		Grommet (Flat)	56-18518-04					
72b		Cross Brace	AE-101467-01					
73		Motor Mount Assembly	AS-101340-01					

No.	Notes	MODEL TECHNICAL VARIATION COOLING CAPACITY ELECTRICAL DESIGNATION DRIVE PACKAGE	RLPN- A 060 C L	RLPN- A 060 C M	RLPN- A 060 D L	RLPN- A 060 D M	RLPN- A 060 Y L	RLPN- A 060 Y M
BLOWER GROUP - BELT DRIVE								
35	Stk	Blower Relay	42-101208-01	42-101208-01	42-101208-04	42-101208-04	42-101208-01	42-101208-01
36	Stk	Blower Time Delay Relay (Sequencing Relay)	42-21593-03	42-21593-03	42-21593-03	42-21593-03	42-21593-03	42-21593-03
37	Stk	Blower Contactor	42-102664-08	42-102664-08	42-102664-08	42-102664-08	42-102664-08	42-102664-08
74	Stk	Blower Motor	51-21909-01	51-41936-01	51-21909-01	51-41936-01	51-22241-02	51-22241-01
75	Stk	Variable Pitch Sheave	71-40427-29	71-40427-43	71-40427-29	71-40427-43	71-40427-29	71-40427-43
76	Stk	Belt	71-40235-43	71-40235-44	71-40235-43	71-40235-44	71-40235-43	71-40235-44
62	Stk	Blower Assembly (Items 63-73, excluding Items 67 and 72b)	AS-101336-08	AS-101336-08	AS-101336-08	AS-101336-08	AS-101336-08	AS-101336-08
63		Housing	AS-101342-01	AS-101342-01	AS-101342-01	AS-101342-01	AS-101342-01	AS-101342-01
64	Stk	Bearing Frame Tri-Arm (2)	70-41723-02	70-41723-02	70-41723-02	70-41723-02	70-41723-02	70-41723-02
65	Stk	Ball Bearing and Cushion (2)	70-41911-01	70-41911-01	70-41911-01	70-41911-01	70-41911-01	70-41911-01
66	Stk	Blower Shaft	70-21933-02	70-21933-02	70-21933-02	70-21933-02	70-21933-02	70-21933-02
67	Stk	Fixed Pitch Sheave	71-100772-04	71-100772-04	71-100772-04	71-100772-04	71-100772-04	71-100772-04
68		Blower Support - Left	AE-58950-02	AE-58950-02	AE-58950-02	AE-58950-02	AE-58950-02	AE-58950-02
69	Stk	Wheel	70-21773-01	70-21773-01	70-21773-01	70-21773-01	70-21773-01	70-21773-01
70		Cut-Off Tabulation	AE-64401-18	AE-64401-18	AE-64401-18	AE-64401-18	AE-64401-18	AE-64401-18

No.	Notes	MODEL TECHNICAL VARIATION DRIVE PACKAGE	RLPN- A L/M					
MOTOR MOUNTING								
71		Blower Bracket	AE-101124-05					
72		Blower Bracket - Drive Side	AE-101124-03					
72a		Grommet (Flat)	56-18518-04					
72b		Cross Brace	AE-101467-01					
73		Motor Mount Assembly	AS-101340-01					

No.	Notes	MODEL TECHNICAL VARIATION COOLING CAPACITY	RLPN- A 036	RLPN- A 048	RLPN- A 060
COIL GROUP					
		Filter Keeper	AE-59168-01	AE-59168-01	AE-59168-01
EVAPORATOR COIL:					
80	Stk	Evaporator Coil (Coil and Frame Assembly)	AS-104531-02	AS-104531-01	AS-104531-01
	Stk	TXV - Sporlan	61-102211-34	61-102211-33	61-102211-32
81		Top Air Stop	AE-58933-01	AE-58933-01	AE-58933-01
82		Top Coil Support	AE-58941-01	AE-58941-01	AE-58941-01
83	Stk	Indoor Coil Drain Pan	68-23559-01	68-23559-01	68-23559-01
85		Filter Channels (3) Center Is Two Channels Back To Back	AE-58934-01	AE-58934-01	AE-58934-01
		Filter Keeper	AE-59168-01	AE-59168-01	AE-59168-01
86		Filter - Disposable (2)	54-17531-10	54-17531-10	54-17531-10
CONDENSER COIL:					
84a	Stk	Condenser Coil	AS-104518-02	AS-104518-01	AS-104518-01
84b		Pad - Bottom Coil	68-104248-03 (4)	68-104248-03 (5)	68-104248-03 (5)
84c		Pad - Top Coil	68-20243-01	68-20243-01	68-20243-01
84d		Coil Filler Plate (2)	AS-104545-03H	AS-104545-03H	AS-104545-03H
84e		Stripping	68-42246-06	68-42246-06	68-42246-06
	Stk	Filter Drier	83-22755-03	83-22755-03	83-22755-03

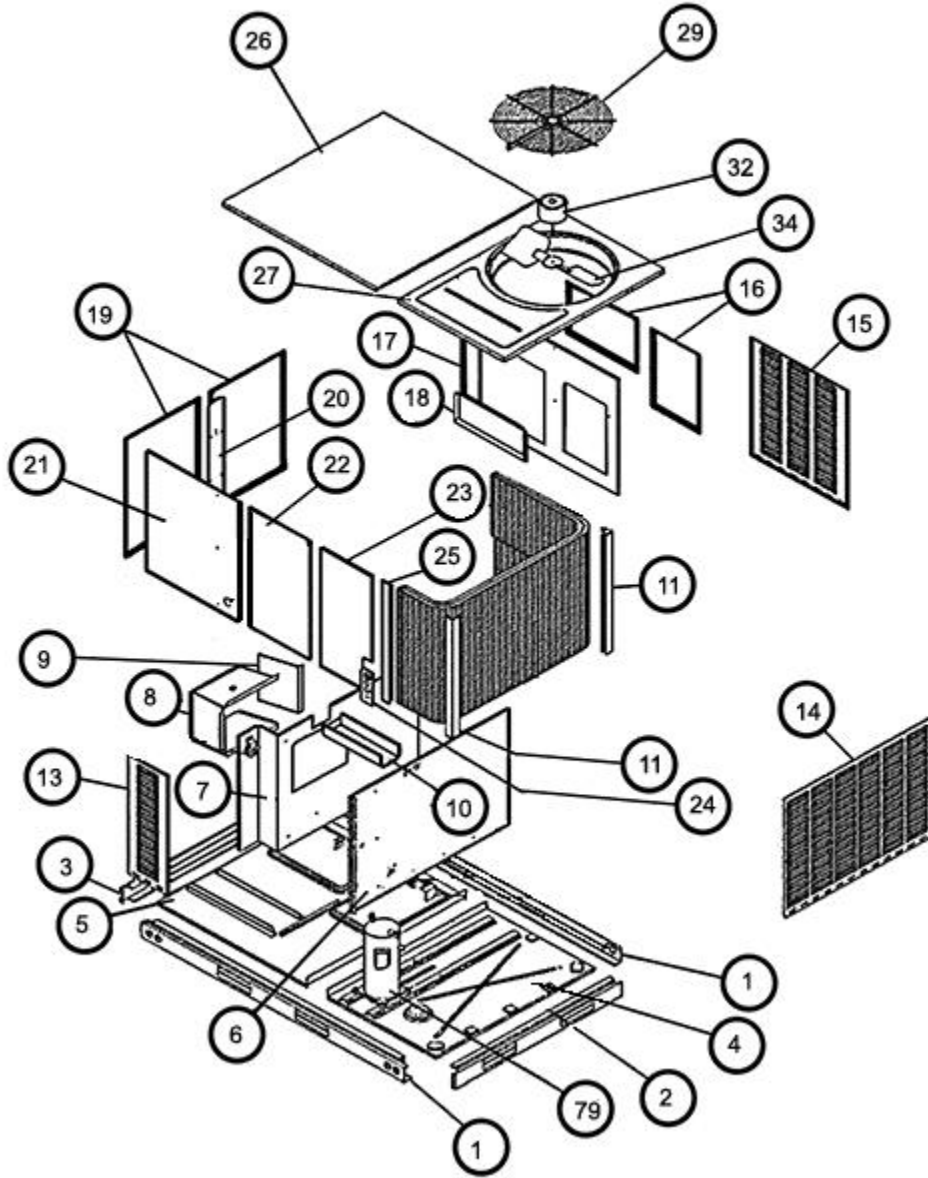
No.	Notes	MODEL TECHNICAL VARIATION COOLING CAPACITY ELECTRICAL DESIGNATION	RLPN- A 036 C	RLPN- A 036 D	RLPN- A 036 J	RLPN- A 036 Y
COMPRESSOR GROUP						
		Compressor ID:	8706	8707	8705	8708
79	Stk	Compressor	55-102045-90S	55-102045-91S	55-102045-66S	55-102045-92S
39		Compressor Contactor	See Electric Group			
33	Stk	Capacitor - Fan/Compressor	N/A	N/A	43-101665-41	N/A
91	Stk	Low Pressure Control	47-102240-03	47-102240-03	47-102240-03	47-102240-03
92	Stk	High Pressure Control	47-23699-04	47-23699-04	47-23699-04	47-23699-04
	Stk	Compressor Wiring Harness (Molded Plug)	45-100834-80	45-100834-80	45-100834-80	45-100834-80
		Bulkhead Valve Assembly (Suction Line)	61-101821-02	61-101821-02	61-101821-02	61-101821-02
		Bulkhead Valve Assembly (Liquid Line)	61-101821-03	61-101821-03	61-101821-03	61-101821-03

No.	Notes	MODEL TECHNICAL VARIATION COOLING CAPACITY ELECTRICAL DESIGNATION	RLPN- A 048 C	RLPN- A 048 D	RLPN- A 048 J	RLPN- A 048 Y
COMPRESSOR GROUP						
		Compressor ID:	8710	8711	8709	8712
79	Stk	Compressor	55-102045-08S	55-102045-07S	55-102045-06S	55-102045-42S
39		Compressor Contactor	See Electric Group			
33	Stk	Capacitor - Fan/Compressor	N/A	N/A	43-101665-41	N/A
91	Stk	Low Pressure Control	47-102240-03	47-102240-03	47-102240-03	47-102240-03
92	Stk	High Pressure Control	47-23699-04	47-23699-04	47-23699-04	47-23699-04
	Stk	Compressor Wiring Harness (Molded Plug)	45-100834-80	45-100834-80	45-100834-80	45-100834-80
		Bulkhead Valve Assembly (Suction Line)	61-101821-02	61-101821-02	61-101821-02	61-101821-02
		Bulkhead Valve Assembly (Liquid Line)	61-101821-03	61-101821-03	61-101821-03	61-101821-03

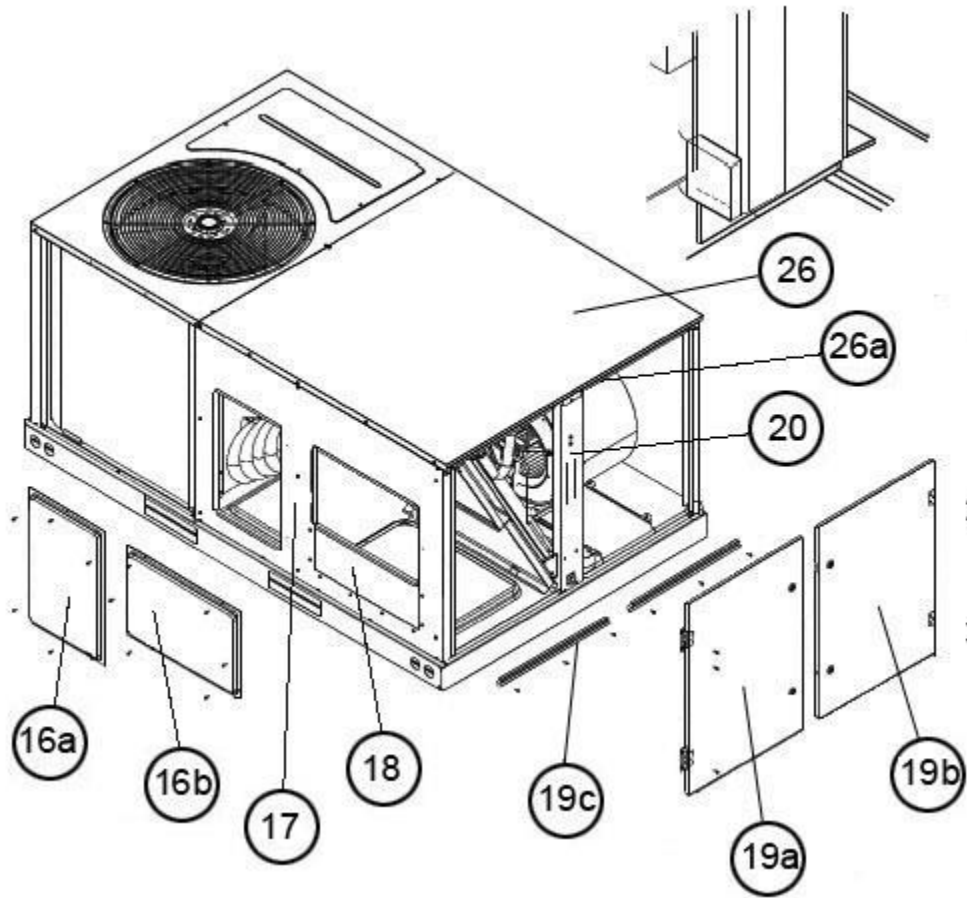
No.	Notes	MODEL TECHNICAL VARIATION COOLING CAPACITY ELECTRICAL DESIGNATION	RLPN- A 060 C	RLPN- A 060 D	RLPN- A 060 J	RLPN- A 060 Y
COMPRESSOR GROUP						
		Compressor ID:	8714	8715	8713	8716
79	Stk	Compressor	55-102045-27S	55-102045-28S	55-102045-26S	55-102045-41S
39		Compressor Contactor	See Electric Group			
33	Stk	Capacitor - Fan/Compressor	N/A	N/A	43-101665-47	N/A
91	Stk	Low Pressure Control	47-102240-03	47-102240-03	47-102240-03	47-102240-03
92	Stk	High Pressure Control	47-23699-04	47-23699-04	47-23699-04	47-23699-04
	Stk	Compressor Wiring Harness (Molded Plug)	45-100834-80	45-100834-80	45-100834-80	45-100834-80
		Bulkhead Valve Assembly (Suction Line)	61-101821-02	61-101821-02	61-101821-02	61-101821-02
		Bulkhead Valve Assembly (Liquid Line)	61-101821-03	61-101821-03	61-101821-03	61-101821-03

No.	Notes	MODEL TECHNICAL VARIATION COOLING CAPACITY ELECTRICAL DESIGNATION DRIVE PACKAGE	RLPN- A 036-060 C K/L/M	RLPN- A 036-060 D K/L/M	RLPN- A 036-060 J K
HEATER KITS					
		Heater Kit	RXJJ-A06C	RXJJ-A06D	RXJJ-A06J
		Heater Kit	RXJJ-A10C	RXJJ-A10D	RXJJ-A10J
		Heater Kit (Canada Only)	RXJJ-A11C	RXJJ-A11D	RXJJ-A11J
		Heater Kit	RXJJ-A12C	RXJJ-A12D	RXJJ-A12J
		Heater Kit	RXJJ-A15C	RXJJ-A15D	RXJJ-A15J
		Heater Kit	RXJJ-A20C	RXJJ-A20D	RXJJ-A20J
		Heater Kit (Canada Only)	RXJJ-A21C	RXJJ-A21D	RXJJ-A21J
		Heater Kit	RXJJ-A24C	RXJJ-A24D	N/A

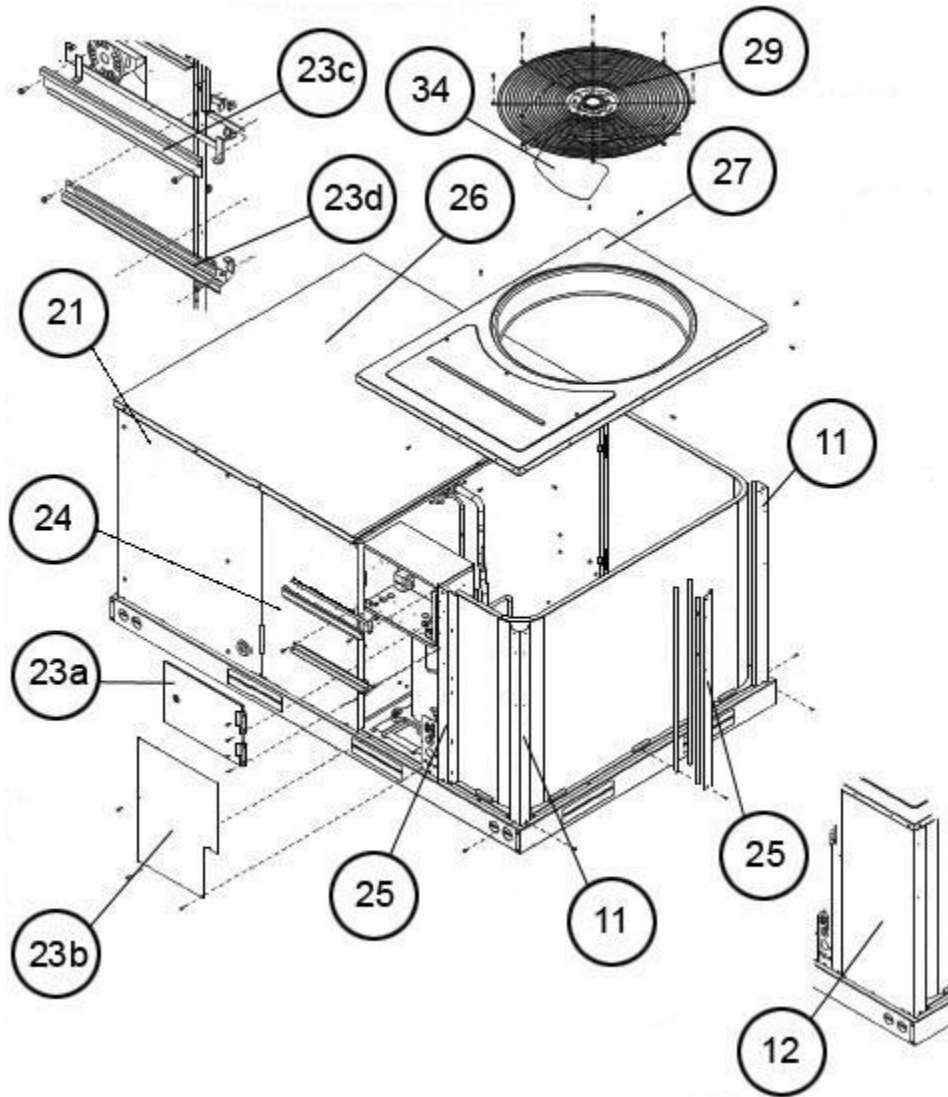
No.	Notes	MODEL TECHNICAL VARIATION COOLING CAPACITY	RLPN- A ALL		
ACCESSORIES					
		Economizer - Single Enthalpy	AXRD-01RECAM3		
		Economizer - w/Smoke Detector	AXRD-01RECBM3		
		Dual Enthalpy Upgrade Kit	RXRX-AV02		
		CO2 Sensor	RXRX-AR02		
		Power Exhaust - C Voltage	AXRX-BGF04C		
		Power Exhaust - D Voltage	AXRX-BGF04D		
		Power Exhaust - Y Voltage	AXRX-BGF04Y		
		Louver Kit (2 Sides) 3-Ton	AXRX-AAD02B		
		Louver Kit (3 Sides) 4 & 5 Ton	AXRX-AAD01B		
38	Stk	Time Delay	RXMD-B01		
		Low Ambient Control	RXRZ-B01		
		Fresh Air Damper - Manual	AXRF-FBA1		
		Fresh Air Damper - Motorized	AXRF-FBB1		



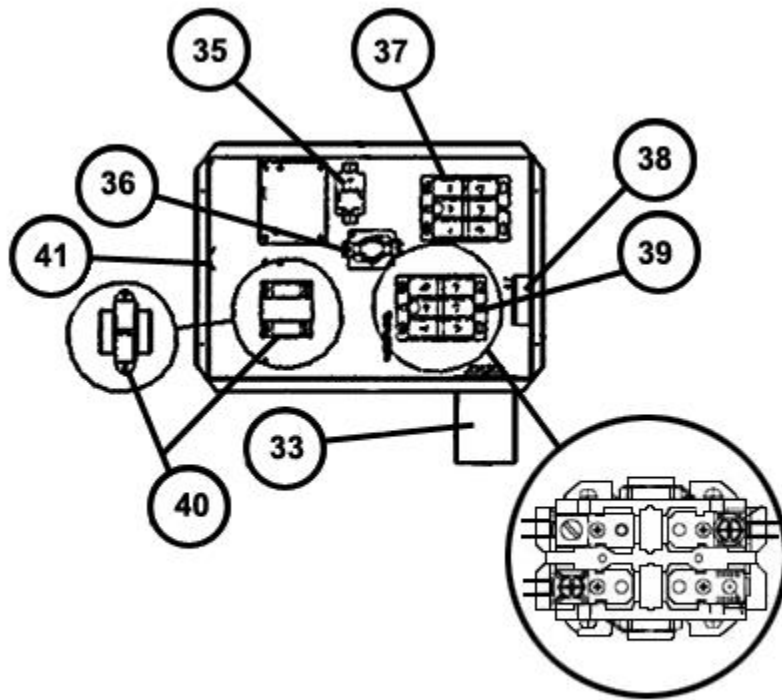
Exploded View



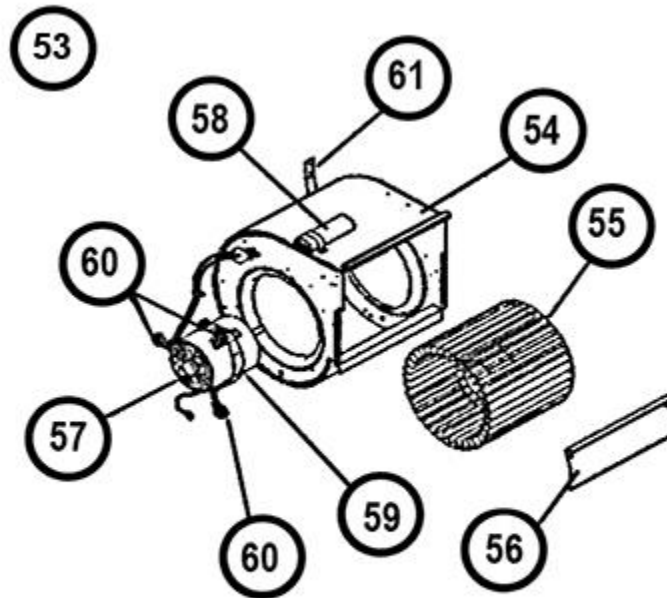
End Panel View (Hinged Panels)



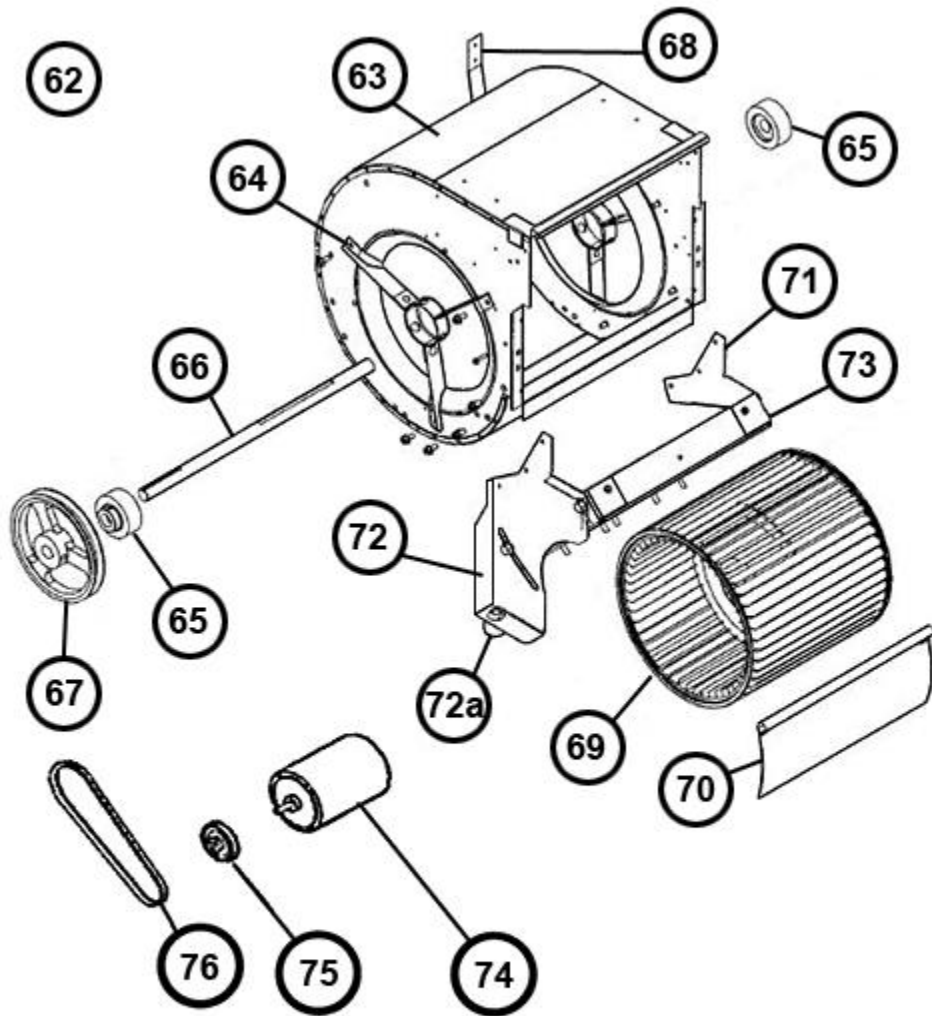
Top Panel (Hinged Panels)



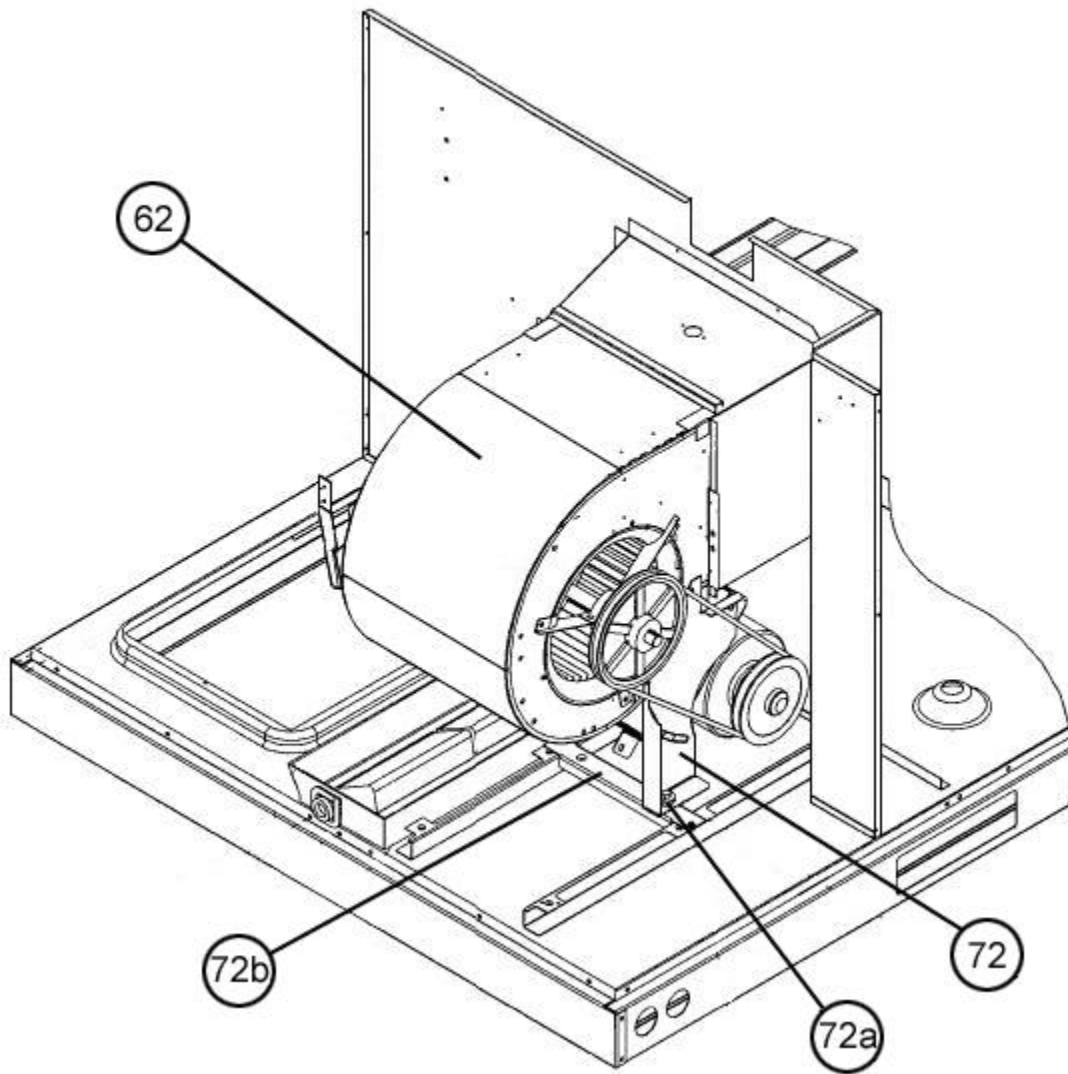
Control Box



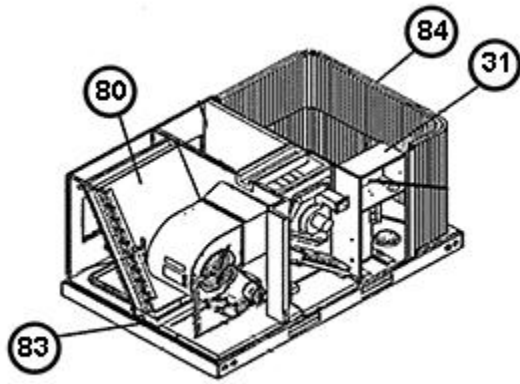
Blower Assembly - Direct Drive



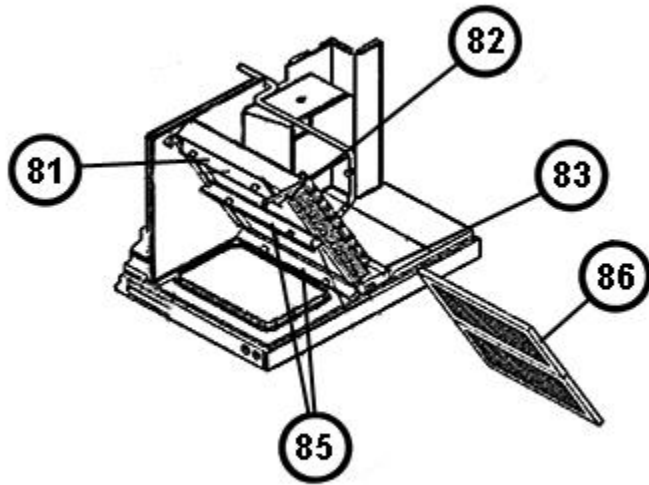
Blower Assembly - Belt Drive



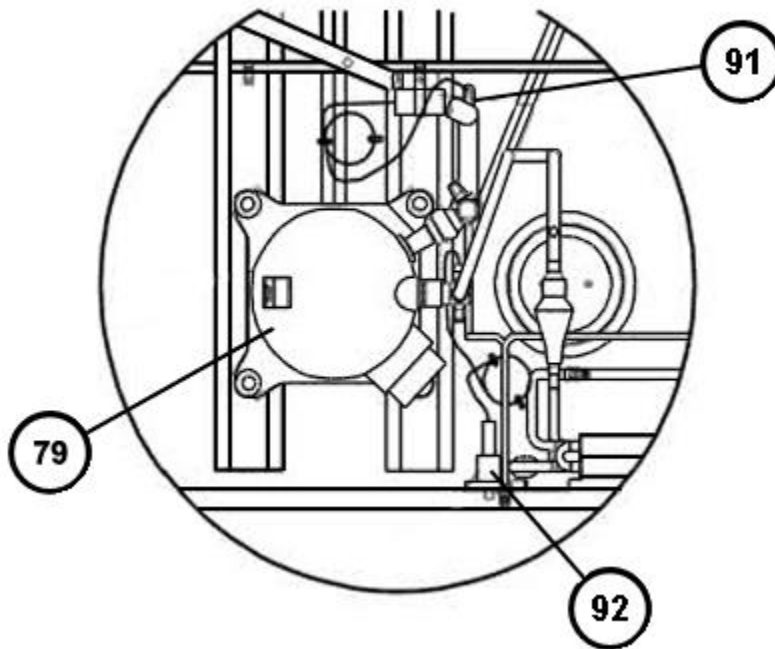
Blower Motor Mount Assembly - Belt Drive



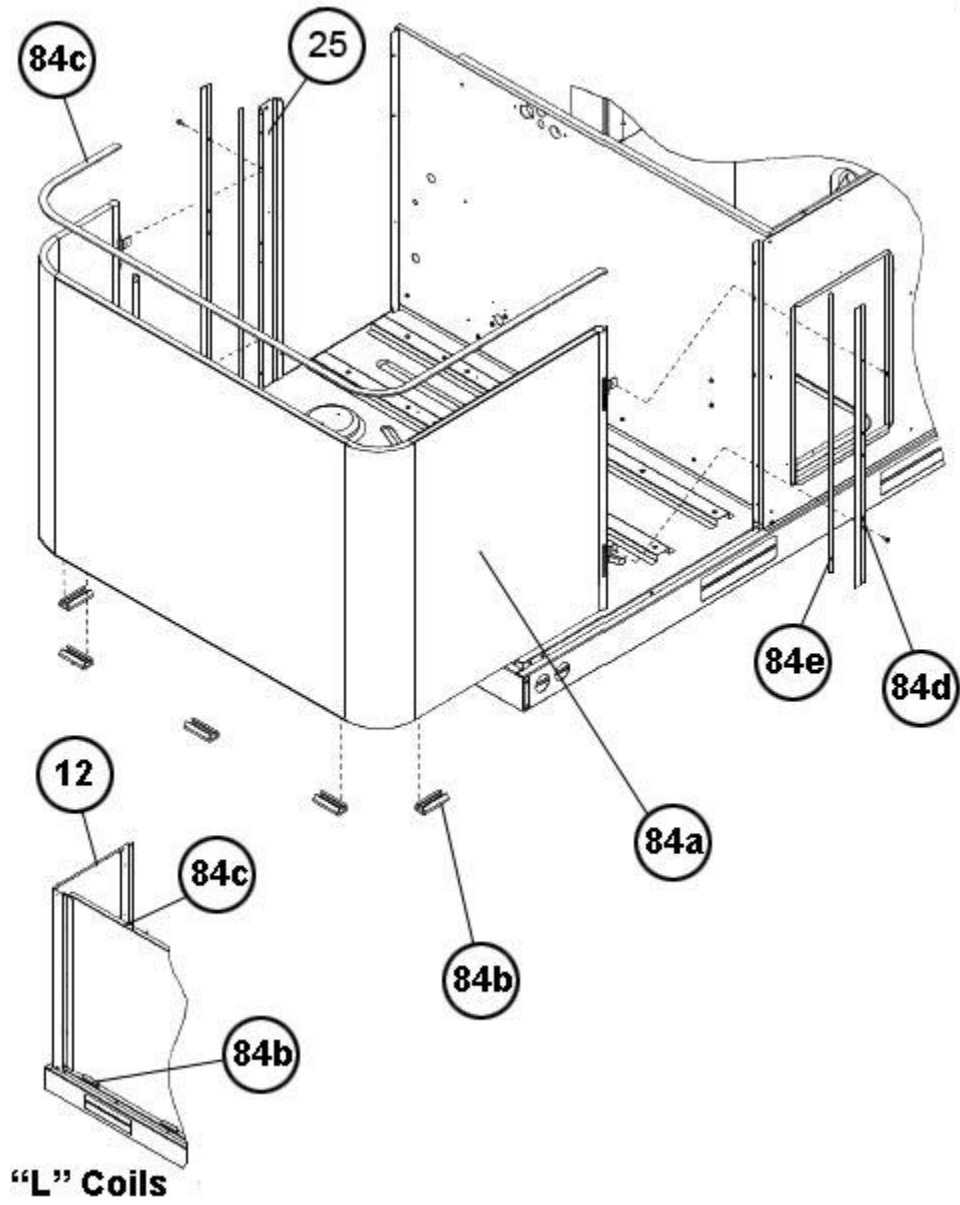
Coil Group Cut-away View



Evaporator Coil - Filter Parts



Compressor - Refrigeration Group



"L" Coils

Condenser Coil Pads

NOTES

Stk It is recommended that stock be maintained for this part.
N/A Not Applicable

DISCLAIMER: This document is intended to provide general replacement parts information to aid qualified service personnel in the repair of these models. The complete Model and Serial Number of the unit under repair should be specified when selecting and ordering replacement parts. Specifications and illustrations are subject to change without notice. Document 92-42800-RLPN-A supersedes all previous parts lists for these models. See <http://www.rheempartslists.net/92-42800-RLPN-A> for the latest revision of this document. The manufacturer assumes no obligation for errors or omissions. Service personnel must verify the proper and safe operation of equipment after the replacement of any original components.