



RLNN-C

Parts List
02-October-2017



*This parts list is current as of the above revision date.
See <http://www.rheempartslists.net/92-42800-RLNN-C.pdf> for the current revision.*

Package Air Conditioners - Commercial

Table of Contents

Model Explanation	Page 3
Parts Numbers	
Panels - Miscellaneous 036-060	Page 4
Electrical Group 036-060	Page 5
Fan Group 036-060	Page 6
Blower Group 036-048	Page 7
Blower Group 060	Page 8
Coil Parts	Page 9
Compressor Group	Page 10
Heater Kits 036-060	Page 11
Accessories 036-060	Page 12
Drawings/Photographs	
Exploded View 036-060	Page 13
Top Panel View 036-060	Page 14
Control Box 036-060	Page 15
Blower Assembly 036-060	Page 16
Blower Motor Mount Assembly 036-060	Page 17
Coil Group Cut-away View 036-060	Page 18
Evaporator Coil - Filter Parts 036-060	Page 18
Compressor - Refrigeration Group 036-060	Page 19
Condenser Coil Pads 036-060	Page 20
Notes/Disclaimer	Page 21

MODEL NUMBER EXPLANATION

R	L	N	N	-	C	0	3	6	C	L	0	0	0	A	C	A
1	2	3	4		5	6			7	8	9			10		11

- | | |
|---|--|
| <p>(1) TRADENAME IDENTIFICATION</p> <p>(2) L = PACKAGED AIR CONDITIONER - COMMERCIAL</p> <p>(3) EFFICIENCY DESIGNATION
N = (13 SEER)
P = (14 SEER)</p> <p>(4) DESIGN SERIES
Design Series (R-410A)</p> <p>(5) TECHNICAL VARIATIONS</p> <p>(6) COOLING CAPACITY (BTU/HR) kW
036 = 36,000 10.55
048 = 48,000 14.07
060 = 60,000 17.58</p> <p>(7) ELECTRICAL DESIGNATION
C = 208-230/3/60
D = 460/3/60</p> <p>(8) DRIVE PACKAGE
L = Belt Drive
M = Belt Drive - High Static</p> <p>(9) HEATING CAPACITY - (MBH)
000 = No Resistance Heat
006 = 6 kW Resistance Heat
010 = 10 kW Resistance Heat
012 = 12 kW Resistance Heat
015 = 15 kW Resistance Heat
020 = 20 kW Resistance Heat
024 = 24 kW Resistance Heat</p> | <p>(10) FACTORY INSTALLED OPTION CODES</p> <p>(11) ECONOMIZER OPTION
A = No Economizer
B = Single Enthalpy Economizer
 With Barometric Relief</p> |
|---|--|

SERIAL NUMBER EXPLANATION

F	0	8	1	3	9	9	9	9	9
1	2		3		4				

- 1 PLANT CODE**
F = Fort Smith, AR
- 2 WEEK OF PRODUCTION**
- 3 YEAR OF PRODUCTION**
- 4 PRODUCTION NUMBER**

Note: For Compressor Identification Number, see Compressor Code on Rating Plate

No.	Notes	MODEL TECHNICAL VARIATIONS COOLING CAPACITY	RLNN- C 036	RLNN- C 048	RLNN- C 060
PANELS, MISCELLANEOUS PARTS					
1		Base Rail - Side (2)	AE-58900-01	AE-58900-01	AE-58900-01
2		Base Rail - Condenser End	AE-58901-01	AE-58901-01	AE-58901-01
3		Base Rail - Evaporator End	AE-58902-01	AE-58902-01	AE-58902-01
4		Outdoor Coil Base Pan	AS-58910-05	AS-58910-05	AS-58910-05
5		Indoor Coil Base Pan	AS-58910-05	AS-58910-05	AS-58910-05
6		Condenser Bulkhead	AS-103276-02	AS-103276-02	AS-103276-02
7		Blower Bulkhead Assembly (Does not include Blower Extensions, Cover Plate, Insulation Retainer)	AS-103385-01	AS-103385-01	AS-103385-01
8		Blower Extension - Front	AE-58928-01	AE-58928-01	AE-58928-01
9		Blower Extension - Back	AE-58928-02	AE-58928-02	AE-58928-02
		Cover Plate (On the Blower Extension - Front to cover the Limit Control opening)	AE-76216-01	AE-76216-01	AE-76216-01
		Insulation Retainer	AE-59059-01	AE-59059-01	AE-59059-01
10		Wire Chase Insulation Assembly	AS-103291-01	AS-103291-01	AS-103291-01
11a		Corner Post (2)	AS-58965-01H	AS-58965-01H	AS-58965-01H
12		Front Corner Post ("L" Coil Only)	AS-104519-01H	N/A	N/A
13		Louvered Panel	See Accessories	See Accessories	See Accessories
14		Louvered Panel	See Accessories	See Accessories	See Accessories
15		Louvered Panel	See Accessories	See Accessories	See Accessories
16		Return/Supply Cover Assembly (2)	AS-58992-01H	AS-58992-01H	AS-58992-01H
17		Rear Panel (Includes Insulation, Filler Panel, and Stripping)	AS-58976-01H	AS-58976-01H	AS-58976-01H
18		Filler Panel - (Return Air Filler)	AE-58974-01	AE-58974-01	AE-58974-01
		Filler Panel Stripping	AE-58897-10	AE-58897-10	AE-58897-10
19		Blower/Filter Access Panels (2)	AS-58990-01H	AS-58990-01H	AS-58990-01H
20		Post - Left End	AS-58973-01H	AS-58973-01H	AS-58973-01H
21		Front Panel Assembly	AS-59132-01H	AS-59132-01H	AS-59132-01H
22		Electric Heat Access Panel Assembly	AS-58987-04H	AS-58987-04H	AS-58987-04H
23		Control Box Access Door	AS-103284-01H	AS-103284-01H	AS-103284-01H
24a		Control Box Insert Panel	AS-103283-01H	AS-103283-01H	AS-103283-01H
24b		Disconnect Plate	AS-90756-05H	AS-90756-05H	AS-90756-05H
24c		Receptacle Plate	AS-90756-02H	AS-90756-02H	AS-90756-02H
25		Front Post	AS-103288-01H	AS-103288-01H	AS-103288-01H
26		Indoor Coil Top Panel Assembly	AS-58979-01H	AS-58979-01H	AS-58979-01H
27a		Condenser Top Panel	AS-58981-01H	AS-58981-01H	AS-58981-01H
27b		Support - Condenser Top Panel	AE-58980-01	AE-58980-01	AE-58980-01
29		Wire Grille	95-101660-01	95-101660-01	95-101660-01
31		Control Box (w/o components)	AS-103281-01	AS-103281-01	AS-103281-01

No.	Notes	MODEL TECHNICAL VARIATION COOLING CAPACITY ELECTRICAL DESIGNATION	RLNN- C 036 C	RLNN- C 048 C	RLNN- C 060 C
ELECTRIC GROUP					
		Outlet Box	45-41952-02	45-41952-02	45-41952-02
		Receptacle Cover	45-41953-02	45-41953-02	45-41953-02
		Receptacle - Ground Fault	45-41954-01	45-41954-01	45-41954-01
CONTROL BOX COMPONENTS:					
35	Stk	Capacitor (Fan Only)	See Fan Group		
		Strap - Capacitor	AE-50892-01	AE-50892-01	AE-50892-01
36	Stk	Comfort Alert	42-101504-03	42-101504-03	42-101504-03
37	Stk	Blower Contactor - Belt Drive	42-102664-08	42-102664-08	42-102664-08
38	Stk	Low Voltage Shield	AE-103285-01	AE-103285-01	AE-103285-01
39	Stk	Compressor Contactor	42-102664-08	42-102664-08	42-102664-08
40	Stk	Transformer	46-103324-04	46-103324-04	46-103324-04
41		Unit Controller (RTU-C)	47-102883-02	47-102883-02	47-102883-02
MISCELLANEOUS COMPONENTS:					
		Low Ambient Control	See Accessories		
91		Low Pressure Control	See Compressor Group		
92		High Pressure Control	See Compressor Group		
		Pressure Switch Assembly - (Clogged Filter and Fan Proving)	42-103320-27	42-103320-27	42-103320-27
WIRING HARNESES:					
		Wiring Harness - Twist Loc 6 Pin to (6 Pin 3 Strip Leads)	45-102819-03	45-102819-03	45-102819-03
		Jumper - 7 Pin Connector (Unit Configuration)	45-42522-103	45-42522-103	45-42522-103
		Wiring Harness - Economizer (8 Pin and 9 Pin) to (12 Pin, 4 Pin, 4 Connectors, and 2 Sensors)	45-42522-107	45-42522-107	45-42522-107
		Wiring Harness - Compressor Control 14 Pin to (two 2 Pin Connectors and 2 Sensors)	45-42522-111	45-42522-111	45-42522-111

No.	Notes	MODEL TECHNICAL VARIATION COOLING CAPACITY ELECTRICAL DESIGNATION	RLNN- C 036 D	RLNN- C 048 D	RLNN- C 060 D
ELECTRIC GROUP					
		Outlet Box	45-41952-02	45-41952-02	45-41952-02
		Receptacle Cover	45-41953-02	45-41953-02	45-41953-02
		Receptacle - Ground Fault	45-41954-01	45-41954-01	45-41954-01
CONTROL BOX COMPONENTS:					
35	Stk	Capacitor (Fan Only)	See Fan Group		
		Strap - Capacitor	AE-50892-01	AE-50892-01	AE-50892-01
36	Stk	Comfort Alert	42-101504-03	42-101504-03	42-101504-03
37	Stk	Blower Contactor - Belt Drive	42-102664-08	42-102664-08	42-102664-08
38	Stk	Low Voltage Shield	AE-103285-01	AE-103285-01	AE-103285-01
39	Stk	Compressor Contactor	42-102664-08	42-102664-08	42-102664-08
40	Stk	Transformer	46-103395-05	46-103395-05	46-103395-05
41		Unit Controller (RTU-C)	47-102883-02	47-102883-02	47-102883-02
MISCELLANEOUS COMPONENTS:					
		Low Ambient Control	See Accessories		
91		Low Pressure Control	See Compressor Group		
92		High Pressure Control	See Compressor Group		
		Pressure Switch Assembly - (Clogged Filter and Fan Proving)	42-103320-27	42-103320-27	42-103320-27
WIRING HARNESES:					
		Wiring Harness - Twist Loc 6 Pin to (6 Pin 3 Strip Leads)	45-102819-03	45-102819-03	45-102819-03
		Jumper - 7 Pin Connector (Unit Configuration)	45-42522-103	45-42522-103	45-42522-103
		Wiring Harness - Economizer (8 Pin and 9 Pin) to (12 Pin, 4 Pin, 4 Connectors, and 2 Sensors)	45-42522-107	45-42522-107	45-42522-107
		Wiring Harness - 14 Pin to (two 2 Pin Connectors and 2 Sensors)	45-42522-111	45-42522-111	45-42522-111

No.	Notes	MODEL TECHNICAL VARIATION COOLING CAPACITY ELECTRICAL DESIGNATION	RLNN- C 036 C	RLNN- C 048 C	RLNN- C 060 C
FAN GROUP					
32	Stk	Fan Motor	51-100998-05	51-100998-05	51-100998-13
35	Stk	Capacitor - Fan Motor	43-100496-04	43-100496-04	43-100496-12
34	Stk	Fan Blade	70-23594-01	70-23594-01	70-42484-01

No.	Notes	MODEL TECHNICAL VARIATION COOLING CAPACITY ELECTRICAL DESIGNATION	RLNN- C 036 D	RLNN- C 048 D	RLNN- C 060 D
FAN GROUP					
32	Stk	Fan Motor	51-100998-07	51-100998-07	51-100998-12
35	Stk	Capacitor - Fan Motor	43-100496-04	43-100496-04	43-100496-12
34	Stk	Fan Blade	70-23594-01	70-23594-01	70-42484-01

No.	Notes	MODEL TECHNICAL VARIATION COOLING CAPACITY ELECTRICAL DESIGNATION DRIVE PACKAGE	RLNN- C 036 C L	RLNN- C 036 D L	RLNN- C 048 C L	RLNN- C 048 D L
BLOWER ASSEMBLY - BELT DRIVE						
62	Stk	Blower Assembly (includes items 63-73, excluding items 67 and 72b)	AS-101336-01	AS-101336-01	AS-101336-01	AS-101336-05
63		Housing	AS-101341-01	AS-101341-01	AS-101341-01	AS-101341-01
64	Stk	Bearing Frame Tri-Arm (2)	70-41723-03	70-41723-03	70-41723-03	70-41723-03
65	Stk	Ball Bearing and Cushion (2)	70-41911-01	70-41911-01	70-41911-01	70-41911-01
66	Stk	Blower Shaft	70-21933-02	70-21933-02	70-21933-02	70-21933-02
67	Stk	Fixed Pitch Sheave	71-100772-04	71-100772-04	71-100772-04	71-21932-03
68		Blower Support - Left	AE-58950-02	AE-58950-02	AE-58950-02	AE-58950-02
69	Stk	Wheel	70-23589-01	70-23589-01	70-23589-01	70-23589-01
70		Cut-Off Tabulation	AE-64401-05	AE-64401-05	AE-64401-05	AE-64401-05
74	Stk	Blower Motor	51-42579-01	51-42579-01	51-42579-01	51-42579-01
75	Stk	Variable Pitch Sheave	71-40427-30	71-40427-30	71-40427-29	71-40427-29
76	Stk	Belt	71-40235-43	71-40235-43	71-40235-43	71-40235-43

No.	Notes	MODEL TECHNICAL VARIATION COOLING CAPACITY ELECTRICAL DESIGNATION DRIVE PACKAGE	RLNN- C 036 C M	RLNN- C 036 D M	RLNN- C 048 C M	RLNN- C 048 D M
BLOWER ASSEMBLY - BELT DRIVE						
62	Stk	Blower Assembly (includes items 63-73, excluding items 67 and 72b)	AS-101336-05	AS-101336-05	AS-101336-05	AS-101336-05
63		Housing	AS-101341-01	AS-101341-01	AS-101341-01	AS-101341-01
64	Stk	Bearing Frame Tri-Arm (2)	70-41723-03	70-41723-03	70-41723-03	70-41723-03
65	Stk	Ball Bearing and Cushion (2)	70-41911-01	70-41911-01	70-41911-01	70-41911-01
66	Stk	Blower Shaft	70-21933-02	70-21933-02	70-21933-02	70-21933-02
67	Stk	Fixed Pitch Sheave	71-21932-03	71-21932-03	71-21932-03	71-21932-03
68		Blower Support - Left	AE-58950-02	AE-58950-02	AE-58950-02	AE-58950-02
69	Stk	Wheel	70-23589-01	70-23589-01	70-23589-01	70-23589-01
70		Cut-Off Tabulation	AE-64401-05	AE-64401-05	AE-64401-05	AE-64401-05
74	Stk	Blower Motor	51-21909-01	51-21909-01	51-21909-01	51-21909-01
75	Stk	Variable Pitch Sheave	71-40427-25	71-40427-25	71-40427-25	71-40427-25
76	Stk	Belt	71-40235-43	71-40235-43	71-40235-43	71-40235-43

No.	Notes	MODEL TECHNICAL VARIATION COOLING CAPACITY ELECTRICAL DESIGNATION DRIVE PACKAGE	RLNN- C 036-048 C/D L/M			
BLOWER MOTOR MOUNTING - BELT DRIVE						
71		Blower Bracket	AE-101124-01			
72		Blower Bracket - Drive Side	AE-101124-04			
72a		Grommet (Flat)	56-18518-04			
72b		Cross Brace	AE-101467-01			
73		Motor Mount Assembly	AS-101340-01			

No.	Notes	MODEL TECHNICAL VARIATION COOLING CAPACITY ELECTRICAL DESIGNATION DRIVE PACKAGE	RLNN- C 060 C L	RLNN- C 060 D L
BLOWER ASSEMBLY - BELT DRIVE				
62	Stk	Blower Assembly (includes items 63-73, excluding items 67 and 72b)	AS-101336-05	AS-101336-05
63		Housing	AS-101341-01	AS-101341-01
64	Stk	Bearing Frame Tri-Arm (2)	70-41723-03	70-41723-03
65	Stk	Ball Bearing and Cushion (2)	70-41911-01	70-41911-01
66	Stk	Blower Shaft	70-21933-02	70-21933-02
67	Stk	Fixed Pitch Sheave	71-104627-01	71-104627-01
68		Blower Support - Left	AE-58950-02	AE-58950-02
69	Stk	Wheel	70-23589-01	70-23589-01
70		Cut-Off Tabulation	AE-64401-05	AE-64401-05
74	Stk	Blower Motor	51-21909-01	51-21909-01
75	Stk	Variable Pitch Sheave	71-104625-02	71-104625-02
76	Stk	Belt	71-40235-43	71-40235-43

No.	Notes	MODEL TECHNICAL VARIATION COOLING CAPACITY ELECTRICAL DESIGNATION DRIVE PACKAGE	RLNN- C 060 C M	RLNN- C 060 D M
BLOWER ASSEMBLY - BELT DRIVE				
62	Stk	Blower Assembly (includes items 63-73, excluding items 67 and 72b)	AS-101336-05	AS-101336-05
63		Housing	AS-101341-01	AS-101341-01
64	Stk	Bearing Frame Tri-Arm (2)	70-41723-03	70-41723-03
65	Stk	Ball Bearing and Cushion (2)	70-41911-01	70-41911-01
66	Stk	Blower Shaft	70-21933-02	70-21933-02
67	Stk	Fixed Pitch Sheave	71-104627-01	71-104627-01
68		Blower Support - Left	AE-58950-02	AE-58950-02
69	Stk	Wheel	70-23589-01	70-23589-01
70		Cut-Off Tabulation	AE-64401-05	AE-64401-05
74	Stk	Blower Motor	51-41936-01	51-41936-01
75	Stk	Variable Pitch Sheave	71-104625-05	71-104625-05
76	Stk	Belt	71-40235-44	71-40235-44

No.	Notes	MODEL TECHNICAL VARIATION COOLING CAPACITY ELECTRICAL DESIGNATION DRIVE PACKAGE	RLNN- C 060 C/D L/M	
BLOWER MOTOR MOUNTING - BELT DRIVE				
71		Blower Bracket	AE-101124-01	
72		Blower Bracket - Drive Side	AE-101124-04	
72a		Grommet (Flat)	56-18518-04	
72b		Cross Brace	AE-101467-01	
73		Motor Mount Assembly	AS-101340-01	

No.	Notes	MODEL TECHNICAL VARIATION COOLING CAPACITY	RLNN- C 036	RLNN- C 048	RLNN- C 060
COIL GROUP					
		Filter Keeper	AE-59168-01	AE-59168-01	AE-59168-01
EVAPORATOR COIL:					
80	Stk	Evaporator Coil (Coil and Frame Assembly)	AS-104531-02	AS-104531-01	AS-104531-01
	Stk	TXV - Sporlan	61-102211-34	61-102211-33	61-102211-32
81		Top Air Stop	AE-58933-01	AE-58933-01	AE-58933-01
82		Top Coil Support	AE-58941-01	AE-58941-01	AE-58941-01
83	Stk	Indoor Coil Drain Pan	68-23559-01	68-23559-01	68-23559-01
85		Filter Channels (3) Center Is Two Channels Back To Back	AE-58934-01	AE-58934-01	AE-58934-01
		Filter Keeper	AE-59168-01	AE-59168-01	AE-59168-01
86		Filter - Disposable (2)	54-17531-10	54-17531-10	54-17531-10
CONDENSER COIL:					
84a	Stk	Condenser Coil	AS-104518-02	AS-104518-01	AS-104518-01
84b		Pad - Bottom Coil	68-104248-03 (4)	68-104248-03 (5)	68-104248-03 (5)
84c		Pad - Top Coil	68-20243-01	68-20243-01	68-20243-01
84d		Coil Filler Plate (2)	AS-104545-03H	AS-104545-03H	AS-104545-03H
84e		Stripping	68-42246-06	68-42246-06	68-42246-06
	Stk	Filter Drier	83-22755-03	83-22755-03	83-22755-03

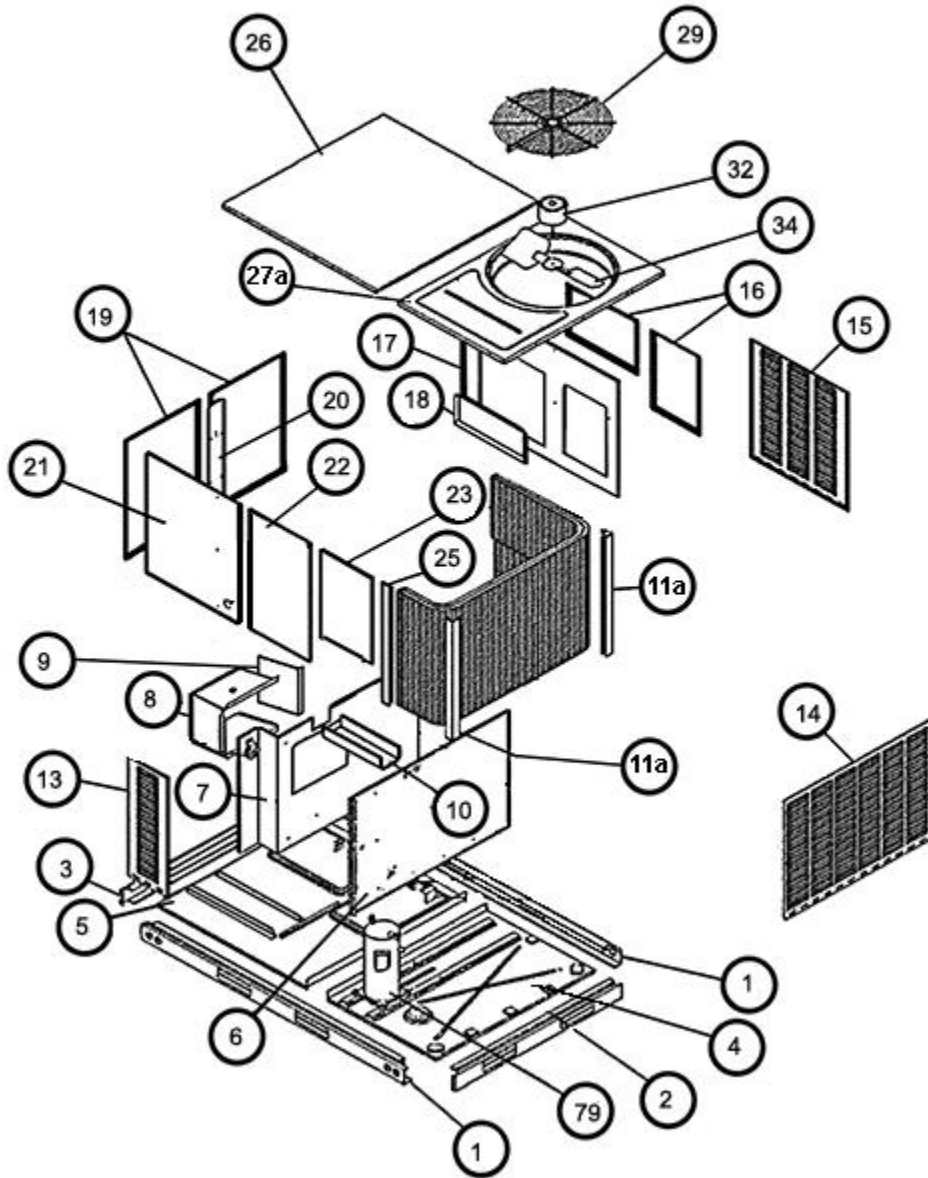
No.	Notes	MODEL TECHNICAL VARIATION COOLING CAPACITY ELECTRICAL DESIGNATION	RLNN- C 036 C	RLNN- C 036 D
COMPRESSOR GROUP				
		Compressor ID:	8891	8892
35		Capacitor - Fan	See Fan Group	
39		Compressor Contactor	See Electric Group	
79	Stk	Compressor	55-102045-90S	55-102045-91S
91	Stk	Low Pressure Control	47-102240-03	47-102240-03
92	Stk	High Pressure Control	47-23699-04	47-23699-04
	Stk	Compressor Wiring Harness (Molded Plug)	45-100834-80	45-100834-80

No.	Notes	MODEL TECHNICAL VARIATION COOLING CAPACITY ELECTRICAL DESIGNATION	RLNN- C 048 C	RLNN- C 048 D
COMPRESSOR GROUP				
		Compressor ID:	8893	8894
35		Capacitor - Fan	See Fan Group	
39		Compressor Contactor	See Electric Group	
79	Stk	Compressor	55-102045-08S	55-102045-07S
91	Stk	Low Pressure Control	47-102240-03	47-102240-03
92	Stk	High Pressure Control	47-23699-04	47-23699-04
	Stk	Compressor Wiring Harness (Molded Plug)	45-100834-80	45-100834-80

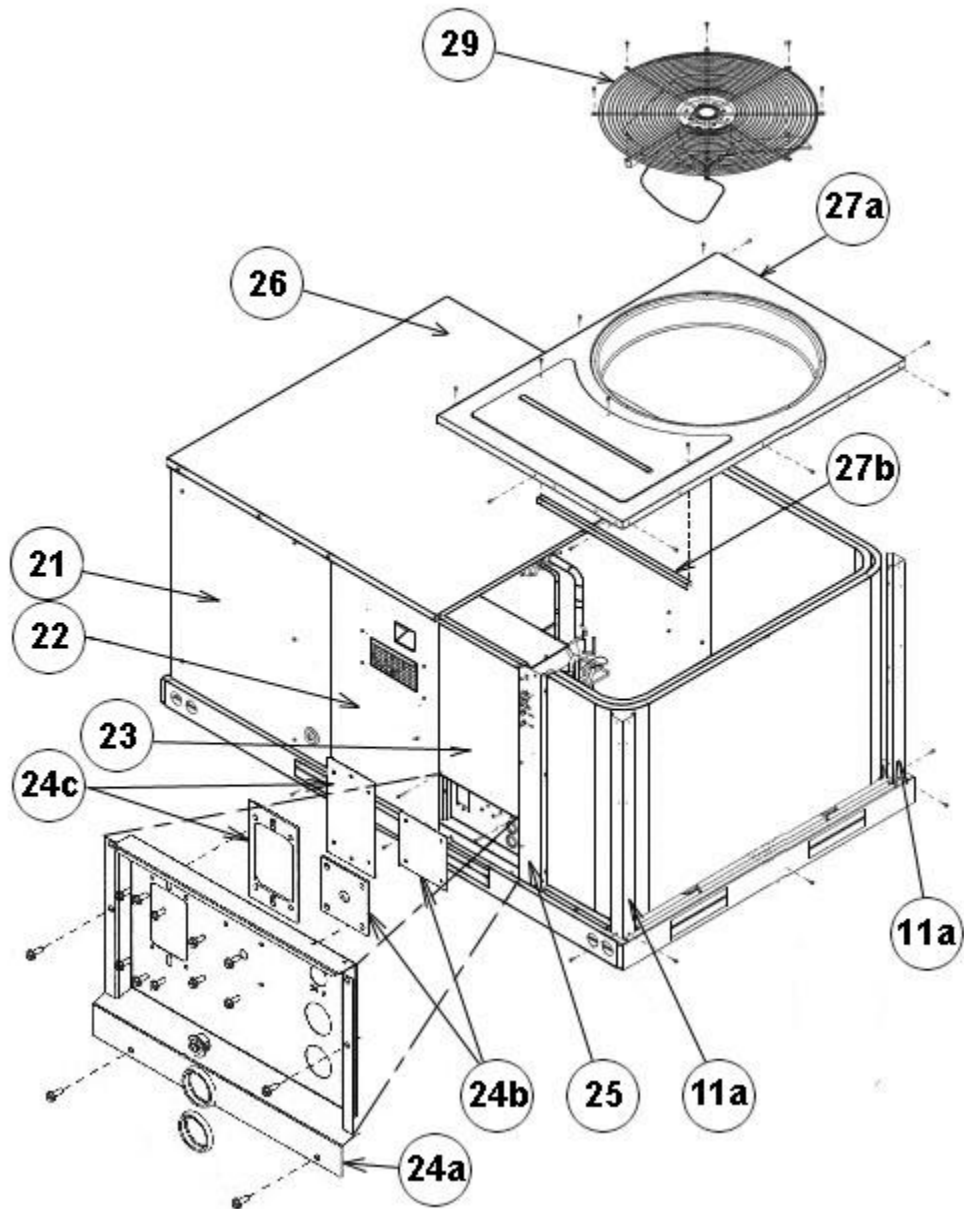
No.	Notes	MODEL TECHNICAL VARIATION COOLING CAPACITY ELECTRICAL DESIGNATION	RLNN- C 060 C	RLNN- C 060 D
COMPRESSOR GROUP				
		Compressor ID:	8895	8896
35		Capacitor - Fan	See Fan Group	
39		Compressor Contactor	See Electric Group	
79	Stk	Compressor	55-102045-27S	55-102045-28S
91	Stk	Low Pressure Control	47-102240-03	47-102240-03
92	Stk	High Pressure Control	47-23699-04	47-23699-04
	Stk	Compressor Wiring Harness (Molded Plug)	45-100834-80	45-100834-80

No.	Notes	MODEL TECHNICAL VARIATION COOLING CAPACITY ELECTRICAL DESIGNATION	RLNN- C 036-060 C	RLNN- C 036-060 D
HEATER KITS				
		Heater Kit - 6kW	RXJJ-A06C	RXJJ-A06D
		Heater Kit - 10kW	RXJJ-A10C	RXJJ-A10D
		Heater Kit - 12kW	RXJJ-A12C	RXJJ-A12D
		Heater Kit - 15kW	RXJJ-A15C	RXJJ-A15D
		Heater Kit - 20kW	RXJJ-A20C	RXJJ-A20D
		Heater Kit - 24kW	RXJJ-A24C	RXJJ-A24D

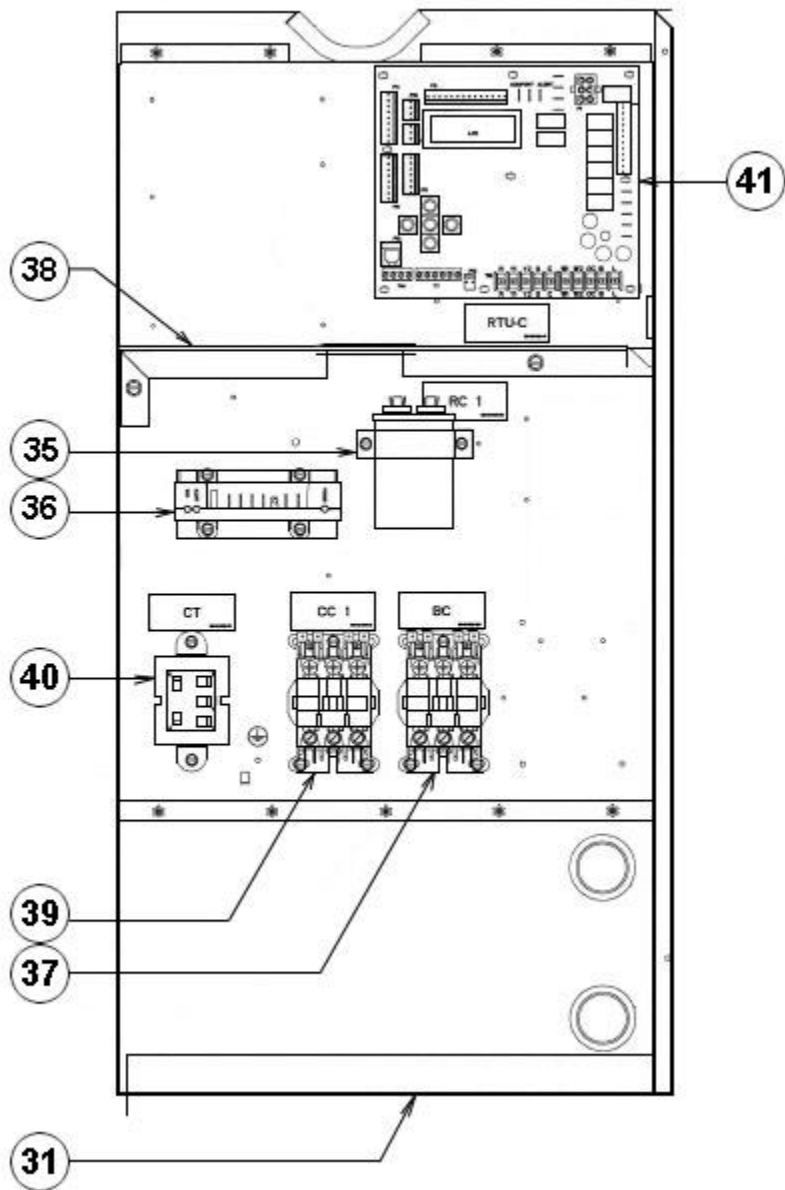
No.	Notes	MODEL TECHNICAL VARIATION COOLING CAPACITY	RLNN- C 036-060
OPTIONS AND ACCESSORIES			
		DDC Economizer with Single Enthalpy and Barometric Relief	AXRD-TKCM3
		DDC Economizer with Single Enthalpy, Smoke Detector and Barometric Relief	AXRD-UKCM3
		Dual Enthalpy Kit	RXXR-AV02
		CO2 Sensor	RXXR-AR02
		Convenience Outlet (Non-powered)	RXXR-AN02
		Power Exhaust - C Voltage	AXRX-BGF04C
		Power Exhaust - D Voltage	AXRX-BGF04D
		Fresh Air Damper Manual	AXRF-FBA1
		Fresh Air Damper Motorized	AXRF-FBB1
		Louver Kit - (3 Sides) - 4 & 5 ton	AXRX-AAD01B
		Louver Kit - (2 Sides) - 3 ton	AXRX-AAD02B
		Comfort Alert	RXXR-AZ01
		BACnet Communication Card	RXXR-AY01
		Lonworks Communication Card	RXXR-AY02
		Low Ambient Control	RXXR-A04



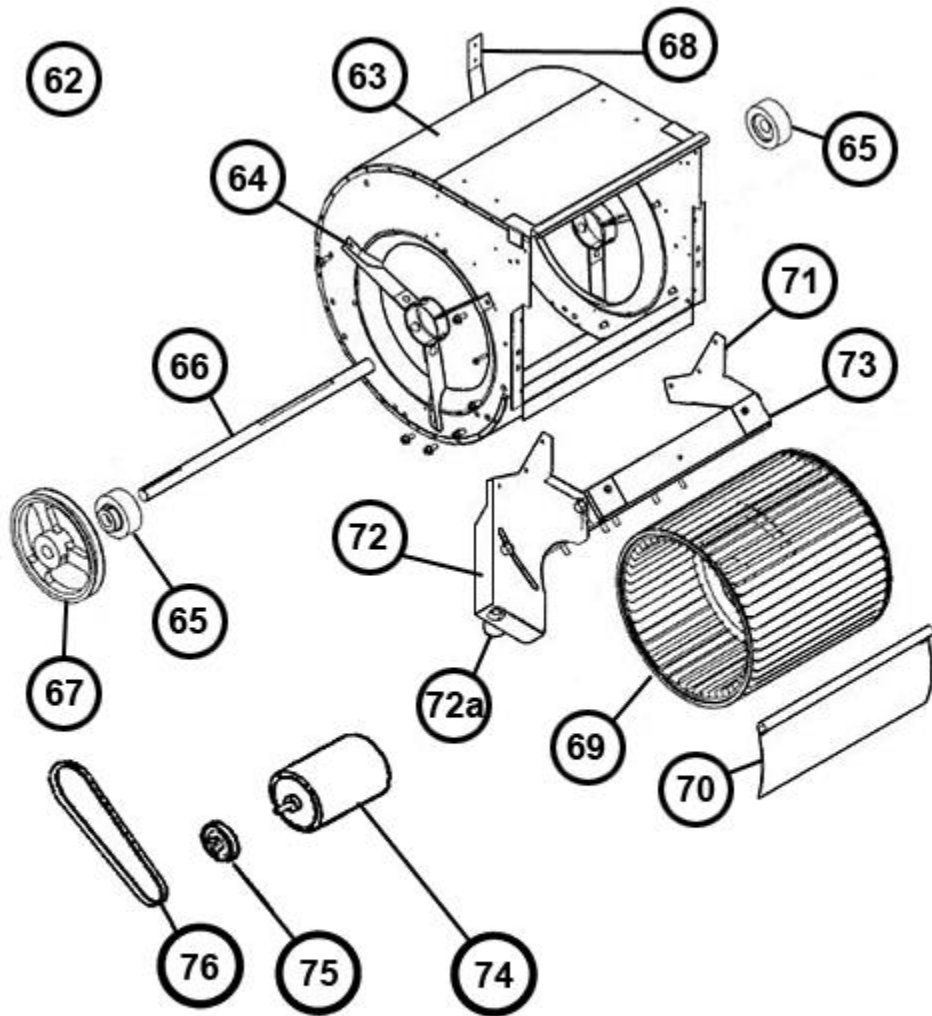
Exploded View 036-060



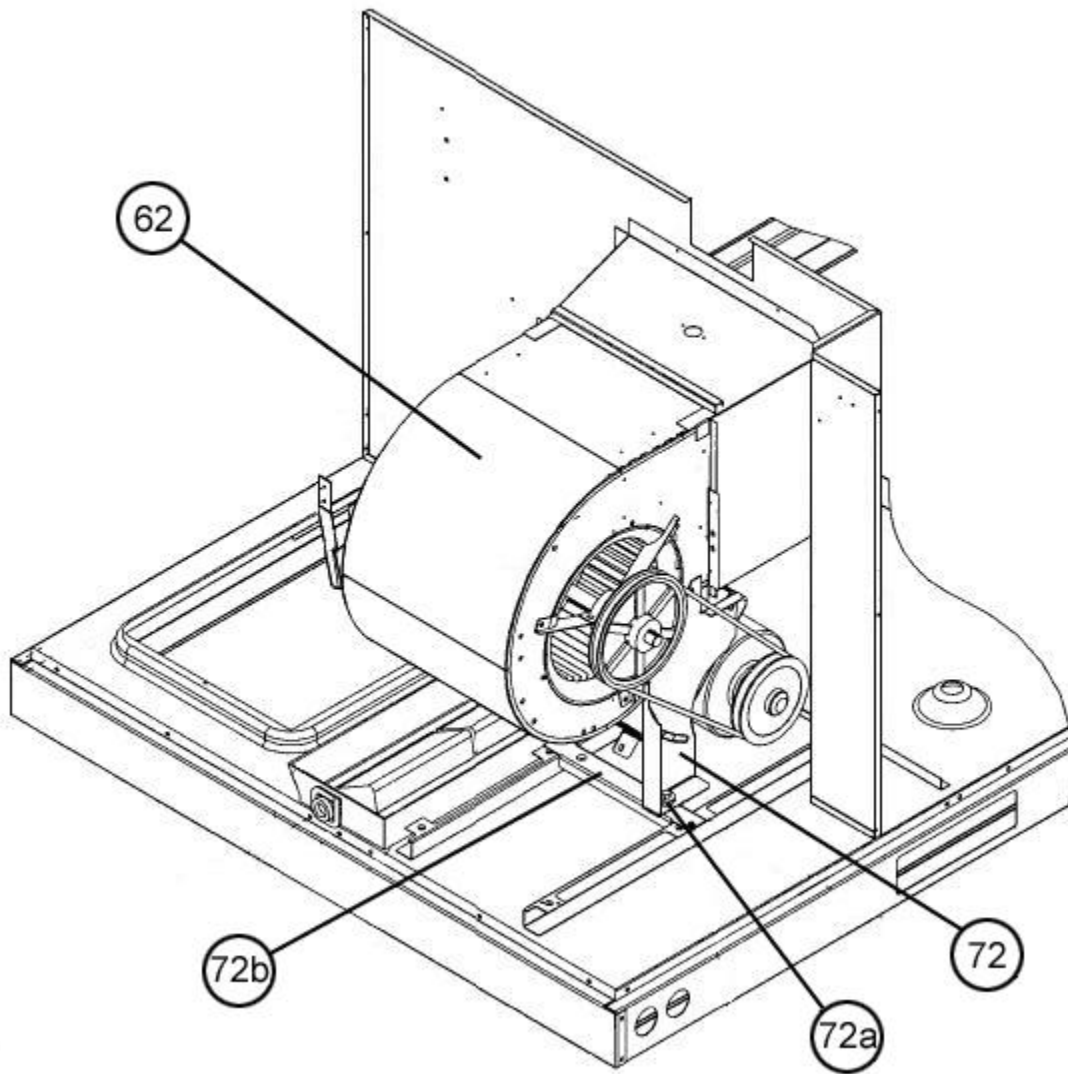
Top Panel View 036-060



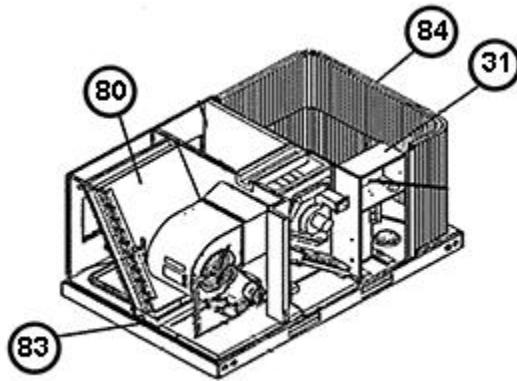
Control Box 036-060



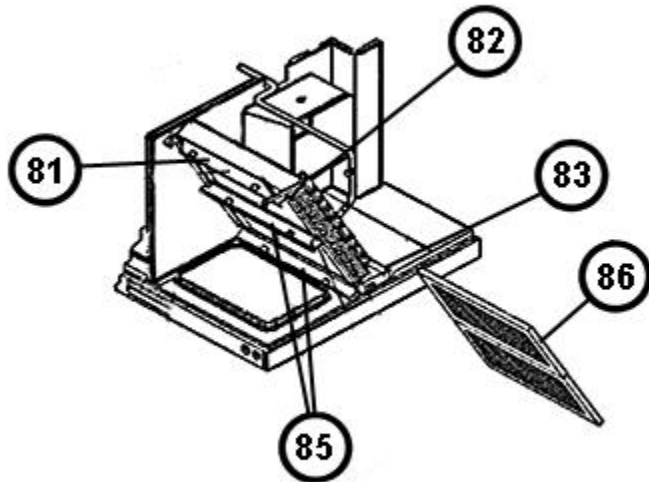
Blower Assembly 036-060



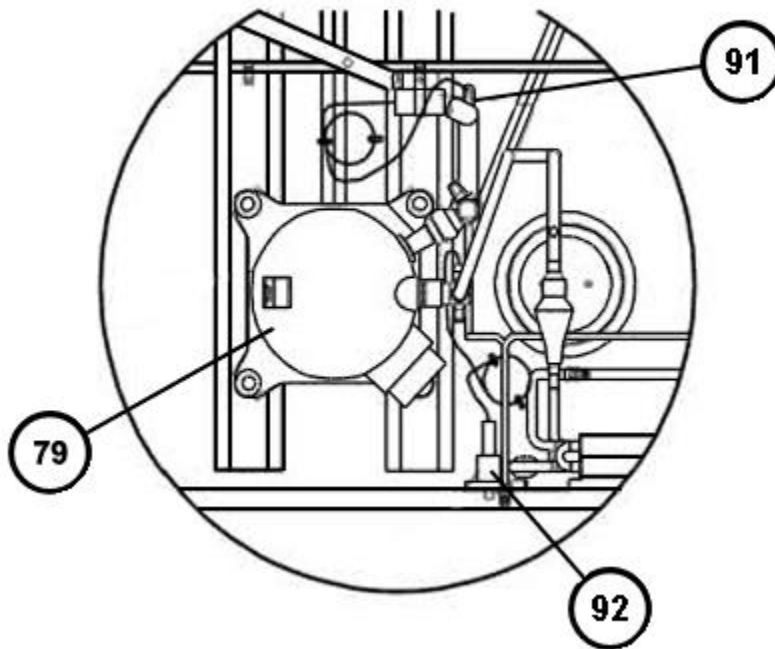
Blower Motor Mount Assembly 036-060



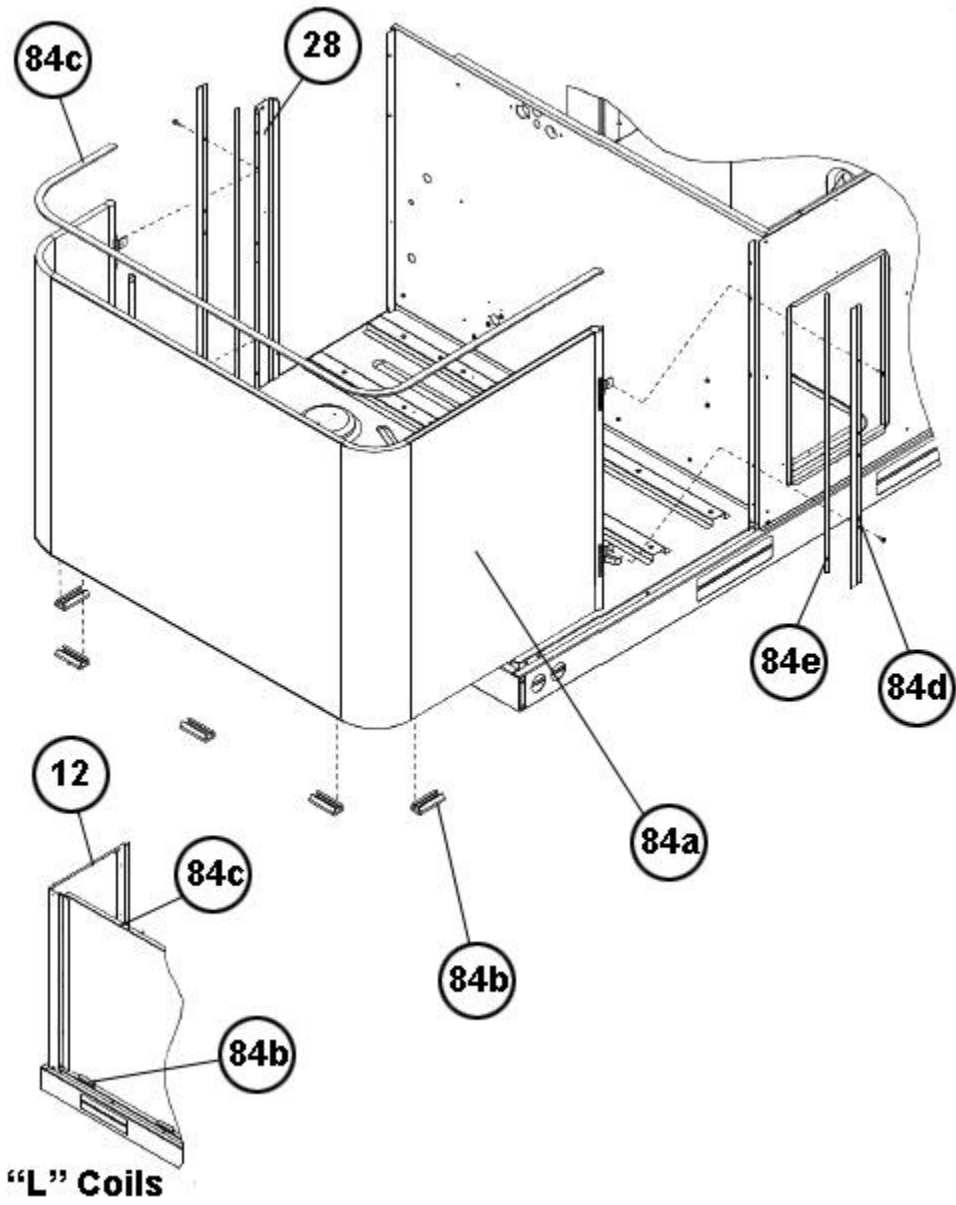
Coil Group Cut-away View 036-060



Evaporator Coil - Filter Parts 036-060



Compressor - Refrigeration Group 036-060



Condenser Coil Pads 036-060

NOTES

Stk It is recommended that stock be maintained for this part.
N/A Not Applicable

DISCLAIMER: This document is intended to provide general replacement parts information to aid qualified service personnel in the repair of these models. The complete Model and Serial Number of the unit under repair should be specified when selecting and ordering replacement parts. Specifications and illustrations are subject to change without notice. Document 92-42800-RLNN-C supersedes all previous parts lists for these models. See <http://www.rheempartslists.net/92-42800-RLNN-C> for the latest revision of this document. The manufacturer assumes no obligation for errors or omissions. Service personnel must verify the proper and safe operation of equipment after the replacement of any original components.