



# RLNN-A

Parts List  
02-October-2017



*This parts list is current as of the above revision date.  
See <http://www.rheempartslists.net/92-42800-RLNN-A.pdf> for the current revision.*

**Package Air Conditioners - Commercial**

# Table of Contents

Model Explanation .....	Page 3
<b>Parts Numbers</b>	
Panels .....	Page 4
Electrical Group .....	Page 5
Fan Group .....	Page 6
Blower Group - Direct Drive .....	Page 7
Blower Group - Belt Drive 036-042 .....	Page 8
Blower Group - Belt Drive 048-060 .....	Page 9
Coil Parts .....	Page 10
Compressor Group .....	Page 11
Heater Kits .....	Page 12
Accessories .....	Page 12
<b>Drawings/Photographs</b>	
Exploded View .....	Page 13
Control Box .....	Page 14
Blower Assembly - Direct Drive .....	Page 14
Blower Assembly - Belt Drive .....	Page 15
Blower Motor Mount Assembly - Belt Drive .....	Page 16
Coil Group Cut-away View .....	Page 17
Evaporator Coil - Filter Parts .....	Page 17
Compressor - Refrigeration Group .....	Page 18
Condenser Coil Pads .....	Page 19
Notes/Disclaimer .....	Page 20

**MODEL NUMBER EXPLANATION**

<b>R</b>	<b>L</b>	<b>N</b>	<b>N</b>	<b>-</b>	<b>A</b>	<b>0</b>	<b>3</b>	<b>6</b>	<b>J</b>	<b>K</b>	<b>0</b>	<b>0</b>	<b>0</b>	<b>A</b>	<b>C</b>	<b>A</b>
1	2	3	4		5		6		7	8		9		10		11

- (1) **TRADENAME IDENTIFICATION**
- (2) **L = PACKAGED AIR CONDITIONER - COMMERCIAL**
- (3) **EFFICIENCY DESIGNATION**  
 N = (13 SEER)                      Q = (15 SEER)  
 P = (14 SEER)
- (4) **DESIGN SERIES**  
 N = Design Series (R-410A)
- (5) **TECHNICAL VARIATIONS**
- (6) **COOLING CAPACITY (BTU/HR) kW**  
 036 = 36,000 10.55  
 048 = 48,000 14.07  
 060 = 60,000 17.58
- (7) **ELECTRICAL DESIGNATION**  
 J = 208-230/1/60  
 C = 208-230/3/60  
 D = 460/3/60  
 Y = 575/3/60
- (8) **DRIVE PACKAGE**  
 K = Direct Drive  
 L = Belt Drive  
 M = Belt Drive - High Static
- (9) **HEATING CAPACITY - (MBH)**  
 000 = No Resistance Heat  
 006 = 6 kW Resistance Heat  
 010 = 10 kW Resistance Heat  
 012 = 12 kW Resistance Heat  
 015 = 15 kW Resistance Heat  
 020 = 20 kW Resistance Heat  
 024 = 24 kW Resistance Heat
- (10) **FACTORY INSTALLED OPTION CODES**
- (11) **ECONOMIZER OPTION**

**SERIAL NUMBER EXPLANATION**

<b>W</b>	<b>0</b>	<b>8</b>	<b>1</b>	<b>3</b>	<b>9</b>	<b>9</b>	<b>9</b>	<b>9</b>	<b>9</b>
1	2		3				4		

- 1 **PLANT CODE**
- 2 **WEEK OF PRODUCTION**
- 3 **YEAR OF PRODUCTION**
- 4 **PRODUCTION NUMBER**

**Note: For Compressor Identification Number, see Compressor Code on Rating Plate**

No.	Notes	MODEL TECHNICAL VARIATIONS COOLING CAPACITY	RLNN- A 036	RLNN- A 048	RLNN- A 060
<b>PANELS, MISCELLANEOUS PARTS</b>					
1		Base Rail - Side (2)	AE-58900-01	AE-58900-01	AE-58900-01
2		Base Rail - Condenser End	AE-58901-01	AE-58901-01	AE-58901-01
3		Base Rail - Evaporator End	AE-58902-01	AE-58902-01	AE-58902-01
4		Outdoor Coil Base Pan	AS-59051-03H	AS-59051-03H	AS-59051-03H
5		Indoor Coil Base Pan	AS-58910-05	AS-58910-05	AS-58910-05
6		Condenser Bulkhead Assembly	AS-59126-06	AS-59126-06	AS-59126-06
		Limit Shield Assembly	AS-59152-01	AS-59152-01	AS-59152-01
7		Blower Bulkhead Assembly (Does not include Front Blower Extension, Back Blower Extension, Insulation Retainer or Cover Plate)	AS-103385-01	AS-103385-01	AS-103385-01
8		Blower Extension - Front	AE-58928-01	AE-58928-01	AE-58928-01
9		Blower Extension - Back	AE-58928-02	AE-58928-02	AE-58928-02
		Cover Plate (On the Blower Extension - Front to cover the Limit Control opening)	AE-76216-01	AE-76216-01	AE-76216-01
		Insulation Retainer	AE-59059-01	AE-59059-01	AE-59059-01
10		Wire Chase Assembly	AS-103291-01	AS-103291-01	AS-103291-01
11		Corner Post	AS-58965-01H (1)	AS-58965-01H (2)	AS-58965-01H (2)
12		Front Corner Post ("L" Coil Only)	AS-104519-01H	N/A	N/A
13		Louvered Panel		See Accessories	
14		Louvered Panel		See Accessories	
15		Louvered Panel		See Accessories	
16		Return/Supply Cover Assembly	AS-58992-01H	AS-58992-01H	AS-58992-01H
17		Rear Panel (Includes Insulation, Filler Panel, and Stripping)	AS-58976-01H	AS-58976-01H	AS-58976-01H
18		Filler Panel - (Return Air Filler)	AS-58974-01H	AS-58974-01H	AS-58974-01H
		Filler Panel Stripping	AE-58897-10	AE-58897-10	AE-58897-10
19		Blower/Filter Access Panels (2)	AS-58990-01H	AS-58990-01H	AS-58990-01H
20		Post - Left End	AS-58973-01H	AS-58973-01H	AS-58973-01H
21		Front Panel Assembly	AS-59132-01H	AS-59132-01H	AS-59132-01H
22		Electric Heat Access Panel Assembly	AS-59121-02H	AS-59121-02H	AS-59121-02H
23		Compressor Access Panel	AS-58983-02H	AS-58983-02H	AS-58983-02H
24		Power Entry Panel	AS-58968-03H	AS-58968-03H	AS-58968-03H
25		Front Post	AS-58967-01H	AS-58967-01H	AS-58967-01H
26		Indoor Coil Top Panel	AS-58979-01H	AS-58979-01H	AS-58979-01H
27		Condenser Top Panel	AS-58982-01H	AS-58982-01H	AS-58982-01H
29		Wire Grille	<a href="#">95-101660-01</a>	<a href="#">95-101660-01</a>	<a href="#">95-101660-01</a>
31		Control Box (w/o components)	AS-59039-01	AS-59039-01	AS-59039-01

No.	Notes	MODEL TECHNICAL VARIATION COOLING CAPACITY ELECTRICAL DESIGNATION	RLNN- A 036 C	RLNN- A 036 D	RLNN- A 036 J	RLNN- A 036 Y	RLNN- A 048 C
<b>ELECTRIC GROUP</b>							
<b>CONTROL BOX COMPONENTS:</b>							
33		Capacitor - Fan Motor	See Fan Group				
35		Blower Relay	See Blower Group				
36		Blower Time Delay Relay (Sequencing Relay)	See Blower Group				
37		Blower Contactor	See Blower Group				
38		Compressor Time Delay Relay	See Accessories				
39	Stk	Compressor Contactor	42-102664-08	42-102664-08	42-42478-04	42-102664-08	42-102664-08
40	Stk	Transformer	<a href="#">46-101904-02</a>	46-23600-02	<a href="#">46-101904-02</a>	46-23600-02	<a href="#">46-101904-02</a>
41		Terminal Block (Strip)	45-23591-01	45-23591-01	45-23591-01	45-23591-01	45-23591-01
<b>WIRING HARNESES:</b>							
		Bypass Plug - Economizer (12 Pin)	AS-61997-55	AS-61997-55	AS-61997-55	AS-61997-55	AS-61997-55
		Winging Harness - Economizer (12 Pin)	45-42522-109	45-42522-109	45-42522-109	45-42522-109	45-42522-109
		Wiring Harness - with 6 pin to Heater Kit	45-102819-01	45-102819-01	45-102819-02	45-102819-01	45-102819-01
<b>MISCELLANEOUS COMPONENTS:</b>							
		Low Ambient Control	See Accessories				
91		Low Pressure Control	See Compressor Group				
92		High Pressure Control	See Compressor Group				

No.	Notes	MODEL TECHNICAL VARIATION COOLING CAPACITY ELECTRICAL DESIGNATION	RLNN- A 048 D	RLNN- A 048 J	RLNN- A 048 Y	RLNN- A 060 C	RLNN- A 060 D
<b>ELECTRIC GROUP</b>							
<b>CONTROL BOX COMPONENTS:</b>							
33		Capacitor - Fan Motor	See Fan Group				
35		Blower Relay	See Blower Group				
36		Blower Time Delay Relay (Sequencing Relay)	See Blower Group				
37		Blower Contactor	See Blower Group				
38		Compressor Time Delay Relay	See Accessories				
39	Stk	Compressor Contactor	42-102664-08	<a href="#">42-102664-10</a>	42-102664-08	42-102664-08	42-102664-08
40	Stk	Transformer	46-23600-02	<a href="#">46-101904-02</a>	46-23600-02	<a href="#">46-101904-02</a>	46-23600-02
41		Terminal Block (Strip)	45-23591-01	45-23591-01	45-23591-01	45-23591-01	45-23591-01
<b>WIRING HARNESES:</b>							
		Bypass Plug - Economizer (12 Pin)	AS-61997-55	AS-61997-55	AS-61997-55	AS-61997-55	AS-61997-55
		Winging Harness - Economizer (12 Pin)	45-42522-109	45-42522-109	45-42522-109	AS-61997-55	45-42522-109
		Wiring Harness - with 5 pin to Heater Kit	45-102819-01	45-102819-02	45-102819-01	45-42522-109	45-102819-01
<b>MISCELLANEOUS COMPONENTS:</b>							
		Low Ambient Control	See Accessories				
91		Low Pressure Control	See Compressor Group				
92		High Pressure Control	See Compressor Group				

No.	Notes	MODEL TECHNICAL VARIATION COOLING CAPACITY ELECTRICAL DESIGNATION	RLNN- A 060 J	RLNN- A 060 Y			
<b>ELECTRIC GROUP</b>							
<b>CONTROL BOX COMPONENTS:</b>							
33		Capacitor - Fan Motor	See Fan Group				
35		Blower Relay	See Blower Group				
36		Blower Time Delay Relay (Sequencing Relay)	See Blower Group				
37		Blower Contactor	See Blower Group				
38		Compressor Time Delay Relay	See Accessories				
39	Stk	Compressor Contactor	<a href="#">42-102664-10</a>	42-102664-08			
40	Stk	Transformer	<a href="#">46-101904-02</a>	46-23600-02			
41		Terminal Block (Strip)	45-23591-01	45-23591-01			
<b>WIRING HARNESES:</b>							
		Bypass Plug - Economizer (12 Pin)	AS-61997-55	AS-61997-55			
		Winging Harness - Economizer (12 Pin)	AS-61997-55	AS-61997-55			
		Wiring Harness - with 5 pin to Heater Kit	45-42522-109	45-42522-109			
<b>MISCELLANEOUS COMPONENTS:</b>							
		Low Ambient Control	See Accessories				
91		Low Pressure Control	See Compressor Group				
92		High Pressure Control	See Compressor Group				

No.	Notes	MODEL TECHNICAL VARIATION COOLING CAPACITY ELECTRICAL DESIGNATION	RLNN- A 036 C	RLNN- A 036 D	RLNN- A 036 J	RLNN- A 036 Y	RLNN- A 048 C
<b>FAN GROUP</b>							
32	Stk	Fan Motor	51-100998-05	51-100998-07	51-100998-05	51-100998-14	51-100998-05
33	Stk	Capacitor - Fan Motor	43-100496-04	43-100496-04	See Compressor Group	43-100496-11	43-100496-04
34	Stk	Fan Blade	70-23594-01	70-23594-01	70-23594-01	70-23594-01	70-23594-01
		Capacitor Adaptor Plate	AE-54609-02	AE-54609-02	N/A	AE-54609-02	AE-54609-02

No.	Notes	MODEL TECHNICAL VARIATION COOLING CAPACITY ELECTRICAL DESIGNATION	RLNN- A 048 D	RLNN- A 048 J	RLNN- A 048 Y	RLNN- A 060 C	RLNN- A 060 D
<b>FAN GROUP</b>							
32	Stk	Fan Motor	51-100998-07	51-100998-05	51-100998-14	51-100998-13	51-100998-12
33	Stk	Capacitor - Fan Motor	43-100496-04	See Compressor Group	43-100496-11	43-100496-12	43-100496-12
34	Stk	Fan Blade	70-23594-01	70-23594-01	70-23594-01	<a href="#">70-42484-01</a>	<a href="#">70-42484-01</a>
		Capacitor Adaptor Plate	AE-54609-02	N/A	AE-54609-02	AE-54609-02	AE-54609-02

No.	Notes	MODEL TECHNICAL VARIATION COOLING CAPACITY ELECTRICAL DESIGNATION	RLNN- A 060 J	RLNN- A 060 Y			
<b>FAN GROUP</b>							
32	Stk	Fan Motor	51-100998-13	51-100998-14			
33	Stk	Capacitor - Fan Motor	See Compressor Group	43-100496-11			
34	Stk	Fan Blade	<a href="#">70-42484-01</a>	<a href="#">70-42484-01</a>			
		Capacitor Adaptor Plate	N/A	AE-54609-02			

No.	Notes	MODEL TECHNICAL VARIATION COOLING CAPACITY ELECTRICAL DESIGNATION DRIVE PACKAGE	RLNN- A 036 C K	RLNN- A 036 D K	RLNN- A 036 J K	RLNN- A 048 C K
<b>BLOWER ASSEMBLY GROUP - DIRECT DRIVE</b>						
35	Stk	Blower Relay	42-101208-01	42-101208-04	42-101208-01	42-101208-01
36	Stk	Blower Time Delay Relay (Sequencing Relay)	42-21593-03	42-21593-03	42-21593-03	42-21593-03
37	Stk	Blower Contactor	N/A	42-102664-08	N/A	N/A
53	Stk	Blower Assembly (Items 54-61)	AS-59050-03	AS-59050-09	AS-59050-03	AS-59050-03
54		Housing	AS-58944-01	AS-58944-01	AS-58944-01	AS-58944-01
55	Stk	Wheel	70-23110-30	70-23110-30	70-23110-30	70-23110-30
56		Cut-Off Tabulation	AE-64401-05	AE-64401-05	AE-64401-05	AE-64401-05
57	Stk	Blower Motor	51-23679-01	51-23679-02	51-23679-01	51-23679-01
58	Stk	Capacitor - Blower Motor	43-100496-12	43-100496-12	43-100496-12	43-100496-12
		Capacitor Strap	AE-50892-01	AE-50892-01	AE-50892-01	AE-50892-01
59		Motor Band	70-19927-01	70-19927-01	70-19927-01	70-19927-01
60		Motor Mounting Arm (3)	70-19929-02	70-19929-02	70-19929-02	70-19929-02
61		Blower Support - (Left Side)	AE-58950-02	AE-58950-02	AE-58950-02	AE-58950-02
		Blower Support - (Motor Side)	AE-59060-01	AE-59060-01	AE-59060-01	AE-59060-01

No.	Notes	MODEL TECHNICAL VARIATION COOLING CAPACITY ELECTRICAL DESIGNATION DRIVE PACKAGE	RLNN- A 048 D K	RLNN- A 048 J K	RLNN- A 060 C K	RLNN- A 060 D K
<b>BLOWER ASSEMBLY GROUP - DIRECT DRIVE</b>						
35	Stk	Blower Relay	42-101208-04	42-101208-01	42-101208-01	42-101208-04
36	Stk	Blower Time Delay Relay (Sequencing Relay)	42-21593-03	42-21593-03	42-21593-03	42-21593-03
37	Stk	Blower Contactor	42-102664-08	N/A	N/A	42-102664-08
53	Stk	Blower Assembly (Items 54-61)	AS-59050-09	AS-59050-03	AS-59050-35	AS-59050-37
54		Housing	AS-58944-01	AS-58944-01	AS-58944-01	AS-58944-01
55	Stk	Wheel	70-23110-30	70-23110-30	70-23110-30	70-23110-30
56		Cut-Off Tabulation	AE-64401-05	AE-64401-05	AE-64401-05	AE-64401-05
57	Stk	Blower Motor	51-23679-02	51-23679-01	51-23679-03	51-23679-04
58	Stk	Capacitor - Blower Motor	43-100496-12	43-100496-12	43-100496-42	43-100496-42
		Capacitor Strap	AE-50892-01	AE-50892-01	AE-50892-01	AE-50892-01
59		Motor Band	70-19927-01	70-19927-01	70-19927-01	70-19927-01
60		Motor Mounting Arm (3)	70-19929-02	70-19929-02	70-19929-02	70-19929-02
61		Blower Support - (Left Side)	AE-58950-02	AE-58950-02	N/A	N/A
		Blower Support - (Motor Side)	AE-59060-01	AE-59060-01	AE-59060-01	AE-59060-01

No.	Notes	MODEL TECHNICAL VARIATION COOLING CAPACITY ELECTRICAL DESIGNATION DRIVE PACKAGE	RLNN- A 060 J K			
<b>BLOWER ASSEMBLY GROUP - DIRECT DRIVE</b>						
35	Stk	Blower Relay	42-101208-01			
36	Stk	Blower Time Delay Relay (Sequencing Relay)	42-21593-03			
37	Stk	Blower Contactor	N/A			
53	Stk	Blower Assembly (Items 54-61)	AS-59050-35			
54		Housing	AS-58944-01			
55	Stk	Wheel	70-23110-30			
56		Cut-Off Tabulation	AE-64401-05			
57	Stk	Blower Motor	51-23679-03			
58	Stk	Capacitor - Blower Motor	43-100496-42			
		Capacitor Strap	AE-50892-01			
59		Motor Band	70-19927-01			
60		Motor Mounting Arm (3)	70-19929-02			
61		Blower Support - (Left Side)	N/A			
		Blower Support - (Motor Side)	AE-59060-01			

No.	Notes	MODEL TECHNICAL VARIATION COOLING CAPACITY ELECTRICAL DESIGNATION DRIVE PACKAGE	RLNN- A 036 C L	RLNN- A 036 C M	RLNN- A 036 D L	RLNN- A 036 D M	RLNN- A 036 Y L	RLNN- A 036 Y M
<b>BLOWER GROUP - BELT DRIVE</b>								
35	Stk	Blower Relay	42-101208-01	42-101208-01	42-101208-04	42-101208-04	42-101208-01	42-101208-01
36	Stk	Blower Time Delay Relay (Sequencing Relay)	42-21593-03	42-21593-03	42-21593-03	42-21593-03	42-21593-03	42-21593-03
37	Stk	Blower Contactor	42-102664-08	42-102664-08	42-102664-08	42-102664-08	42-102664-08	42-102664-08
74	Stk	Blower Motor	51-42579-01	51-21909-01	51-42579-01	51-21909-01	51-22241-02	51-22241-02
75	Stk	Variable Pitch Sheave	71-40427-30	71-40427-25	71-40427-30	71-40427-25	71-40427-30	71-40427-25
76	Stk	Belt	71-40235-43	71-40235-43	71-40235-43	71-40235-43	71-40235-43	71-40235-43
62	Stk	Blower Assembly (Items 63-73, excluding Items 67 and 72b)	AS-101336-01	AS-101336-05	AS-101336-01	AS-101336-05	AS-101336-01	AS-101336-05
63		Housing	AS-101341-01	AS-101341-01	AS-101341-01	AS-101341-01	AS-101341-01	AS-101341-01
64	Stk	Bearing Frame Tri-Arm (2)	70-41723-03	70-41723-03	70-41723-03	70-41723-03	70-41723-03	70-41723-03
65	Stk	Ball Bearing and Cushion (2)	70-41911-01	70-41911-01	70-41911-01	70-41911-01	70-41911-01	70-41911-01
66	Stk	Blower Shaft	70-21933-02	70-21933-02	70-21933-02	70-21933-02	70-21933-02	70-21933-02
67	Stk	Fixed Pitch Sheave	71-100772-04	71-21932-03	71-100772-04	71-21932-03	71-100772-04	71-21932-03
68		Blower Support - Left	AE-58950-02	AE-58950-02	AE-58950-02	AE-58950-02	AE-58950-02	AE-58950-02
69	Stk	Wheel	70-23589-01	70-23589-01	70-23589-01	70-23589-01	70-23589-01	70-23589-01
70		Cut-Off Tabulation	AE-64401-05	AE-64401-05	AE-64401-05	AE-64401-05	AE-64401-05	AE-64401-05

No.	Notes	MODEL TECHNICAL VARIATION COOLING CAPACITY ELECTRICAL DESIGNATION DRIVE PACKAGE	RLNN- A 048 C L	RLNN- A 048 C M	RLNN- A 048 D L	RLNN- A 048 D M	RLNN- A 048 Y L	RLNN- A 048 Y M
<b>BLOWER GROUP - BELT DRIVE</b>								
35	Stk	Blower Relay	42-101208-01	42-101208-01	42-101208-04	42-101208-04	42-101208-01	42-101208-01
36	Stk	Blower Time Delay Relay (Sequencing Relay)	42-21593-03	42-21593-03	42-21593-03	42-21593-03	42-21593-03	42-21593-03
37	Stk	Blower Contactor	42-102664-08	42-102664-08	42-102664-08	42-102664-08	42-102664-08	42-102664-08
74	Stk	Blower Motor	51-42579-01	51-21909-01	51-42579-01	51-21909-01	51-22241-02	51-22241-02
75	Stk	Variable Pitch Sheave	71-40427-29	71-40427-25	71-40427-29	71-40427-25	71-40427-29	71-40427-25
76	Stk	Belt	71-40235-43	71-40235-43	71-40235-43	71-40235-43	71-40235-43	71-40235-43
62	Stk	Blower Assembly (Items 63-73, excluding Items 67 and 72b)	AS-101336-01	AS-101336-05	AS-101336-05	AS-101336-05	AS-101336-01	AS-101336-05
63		Housing	AS-101341-01	AS-101341-01	AS-101341-01	AS-101341-01	AS-101341-01	AS-101341-01
64	Stk	Bearing Frame Tri-Arm (2)	70-41723-03	70-41723-03	70-41723-03	70-41723-03	70-41723-03	70-41723-03
65	Stk	Ball Bearing and Cushion (2)	70-41911-01	70-41911-01	70-41911-01	70-41911-01	70-41911-01	70-41911-01
66	Stk	Blower Shaft	70-21933-02	70-21933-02	70-21933-02	70-21933-02	70-21933-02	70-21933-02
67	Stk	Fixed Pitch Sheave	71-100772-04	71-21932-03	71-21932-03	71-21932-03	71-100772-04	71-21932-03
68		Blower Support - Left	AE-58950-02	AE-58950-02	AE-58950-02	AE-58950-02	AE-58950-02	AE-58950-02
69	Stk	Wheel	70-23589-01	70-23589-01	70-23589-01	70-23589-01	70-23589-01	70-23589-01
70		Cut-Off Tabulation	AE-64401-05	AE-64401-05	AE-64401-05	AE-64401-05	AE-64401-05	AE-64401-05

No.	Notes	MODEL TECHNICAL VARIATION DRIVE PACKAGE	RLNN- A L/M					
<b>MOTOR MOUNTING</b>								
71		Blower Bracket	AE-101124-01					
72		Blower Bracket - Drive Side	AE-101124-04					
72a		Grommet (Flat)	56-18518-04					
72b		Cross Brace	AE-101467-01					
73		Motor Mount Assembly	AS-101340-01					

No.	Notes	MODEL TECHNICAL VARIATION COOLING CAPACITY ELECTRICAL DESIGNATION DRIVE PACKAGE	RLNN-	RLNN-	RLNN-	RLNN-	RLNN-	RLNN-
			A 060 C L	A 060 C M	A 060 D L	A 060 D M	A 060 Y L	A 060 Y M
<b>BLOWER GROUP - BELT DRIVE</b>								
35	Stk	Blower Relay	42-101208-01	42-101208-01	42-101208-04	42-101208-04	42-101208-01	42-101208-01
36	Stk	Blower Time Delay Relay (Sequencing Relay)	<a href="#">42-21593-03</a>	<a href="#">42-21593-03</a>	<a href="#">42-21593-03</a>	<a href="#">42-21593-03</a>	<a href="#">42-21593-03</a>	<a href="#">42-21593-03</a>
37	Stk	Blower Contactor	42-102664-08	42-102664-08	42-102664-08	42-102664-08	42-102664-08	42-102664-08
74	Stk	Blower Motor	<a href="#">51-21909-01</a>	<a href="#">51-41936-01</a>	<a href="#">51-21909-01</a>	<a href="#">51-41936-01</a>	51-22241-02	51-22241-01
75	Stk	Variable Pitch Sheave	71-40427-29	71-40427-25	71-40427-29	71-40427-25	71-40427-29	71-40427-25
76	Stk	Belt	71-40235-42	71-40235-43	71-40235-42	71-40235-43	71-40235-42	71-40235-43
62	Stk	Blower Assembly (Items 63-73, excluding Items 67 and 72b)	AS-101336-05	AS-101336-05	AS-101336-05	AS-101336-05	AS-101336-05	AS-101336-05
63		Housing	AS-101341-01	AS-101341-01	AS-101341-01	AS-101341-01	AS-101341-01	AS-101341-01
64	Stk	Bearing Frame Tri-Arm (2)	70-41723-03	70-41723-03	70-41723-03	70-41723-03	70-41723-03	70-41723-03
65	Stk	Ball Bearing and Cushion (2)	<a href="#">70-41911-01</a>	<a href="#">70-41911-01</a>	<a href="#">70-41911-01</a>	<a href="#">70-41911-01</a>	<a href="#">70-41911-01</a>	<a href="#">70-41911-01</a>
66	Stk	Blower Shaft	<a href="#">70-21933-02</a>	<a href="#">70-21933-02</a>	<a href="#">70-21933-02</a>	<a href="#">70-21933-02</a>	<a href="#">70-21933-02</a>	<a href="#">70-21933-02</a>
67	Stk	Fixed Pitch Sheave	71-21932-03	71-21932-03	71-21932-03	71-21932-03	71-21932-03	71-21932-03
68		Blower Support - Left	AE-58950-02	AE-58950-02	AE-58950-02	AE-58950-02	AE-58950-02	AE-58950-02
69	Stk	Wheel	<a href="#">70-23589-01</a>	<a href="#">70-23589-01</a>	<a href="#">70-23589-01</a>	<a href="#">70-23589-01</a>	<a href="#">70-23589-01</a>	<a href="#">70-23589-01</a>
70		Cut-Off Tabulation	<a href="#">AE-64401-05</a>	<a href="#">AE-64401-05</a>	<a href="#">AE-64401-05</a>	<a href="#">AE-64401-05</a>	<a href="#">AE-64401-05</a>	<a href="#">AE-64401-05</a>

No.	Notes	MODEL TECHNICAL VARIATION DRIVE PACKAGE	RLNN-					
			A L/M					
<b>MOTOR MOUNTING</b>								
71		Blower Bracket	AE-101124-01					
72		Blower Bracket - Drive Side	AE-101124-04					
72a		Grommet (Flat)	56-18518-04					
72b		Cross Brace	AE-101467-01					
73		Motor Mount Assembly	AS-101340-01					

No.	Notes	MODEL TECHNICAL VARIATION COOLING CAPACITY	RLNN- A 036	RLNN- A 048	RLNN- A 060
<b>COIL GROUP</b>					
		Filter Keeper	AE-59168-01	AE-59168-01	AE-59168-01
<b>EVAPORATOR COIL:</b>					
80	Stk	Evaporator Coil (Coil and Frame Assembly)	AS-104531-02	AS-104531-01	AS-104531-01
	Stk	TXV - Sporlan	61-102211-34	61-102211-33	61-102211-32
81		Top Air Stop	AE-58933-01	AE-58933-01	AE-58933-01
82		Top Coil Support	AE-58941-01	AE-58941-01	AE-58941-01
83	Stk	Indoor Coil Drain Pan	68-23559-01	68-23559-01	68-23559-01
85		Filter Channels (3) Center Is Two Channels Back To Back	AE-58934-01	AE-58934-01	AE-58934-01
86		Filter - Disposable (2)	54-17531-10	54-17531-10	54-17531-10
<b>CONDENSER COIL:</b>					
84a	Stk	Condenser Coil	AS-104518-02	AS-104518-01	AS-104518-01
84b		Pad - Bottom Coil	68-104248-03 (4)	68-104248-03 (5)	68-104248-03 (5)
84c		Pad - Top Coil	68-20243-01	68-20243-01	68-20243-01
84d		Coil Filler Plate (2)	AS-104545-03H	AS-104545-03H	AS-104545-03H
84e		Stripping	68-42246-06	68-42246-06	68-42246-06
	Stk	Filter Drier	83-22755-03	83-22755-03	83-22755-03

No.	Notes	MODEL TECHNICAL VARIATION COOLING CAPACITY ELECTRICAL DESIGNATION	RLNN- A 036 C	RLNN- A 036 D	RLNN- A 036 J	RLNN- A 036 Y
<b>COMPRESSOR GROUP</b>						
		<b>Compressor ID:</b>	<b>8759</b>	<b>8760</b>	<b>8758</b>	<b>8761</b>
79	Stk	Compressor	55-102045-90S	55-102045-91S	55-102045-66S	55-102045-92S
39		Compressor Contactor	See Electric Group			
33	Stk	Capacitor - Fan/Compressor	N/A	N/A	43-101665-41	N/A
91	Stk	Low Pressure Control	47-102240-03	47-102240-03	47-102240-03	47-102240-03
92	Stk	High Pressure Control	47-23699-04	47-23699-04	47-23699-04	47-23699-04
	Stk	Compressor Wiring Harness (Molded Plug)	<a href="#">45-100834-80</a>	<a href="#">45-100834-80</a>	<a href="#">45-100834-80</a>	<a href="#">45-100834-80</a>
		Bulkhead Valve Assembly (Suction Line)	61-101821-02	61-101821-02	61-101821-02	61-101821-02
		Bulkhead Valve Assembly (Liquid Line)	61-101821-03	61-101821-03	61-101821-03	61-101821-03

No.	Notes	MODEL TECHNICAL VARIATION COOLING CAPACITY ELECTRICAL DESIGNATION	RLNN- A 048 C	RLNN- A 048 D	RLNN- A 048 J	RLNN- A 048 Y
<b>COMPRESSOR GROUP</b>						
		<b>Compressor ID:</b>	<b>8763</b>	<b>8764</b>	<b>8762</b>	<b>8765</b>
79	Stk	Compressor	55-102045-08S	55-102045-07S	55-102045-06S	55-102045-42S
39		Compressor Contactor	See Electric Group			
33	Stk	Capacitor - Fan/Compressor	N/A	N/A	43-101665-41	N/A
91	Stk	Low Pressure Control	47-102240-03	47-102240-03	47-102240-03	47-102240-03
92	Stk	High Pressure Control	47-23699-04	47-23699-04	47-23699-04	47-23699-04
	Stk	Compressor Wiring Harness (Molded Plug)	<a href="#">45-100834-80</a>	<a href="#">45-100834-80</a>	<a href="#">45-100834-80</a>	<a href="#">45-100834-80</a>
		Bulkhead Valve Assembly (Suction Line)	61-101821-02	61-101821-02	61-101821-02	61-101821-02
		Bulkhead Valve Assembly (Liquid Line)	61-101821-03	61-101821-03	61-101821-03	61-101821-03

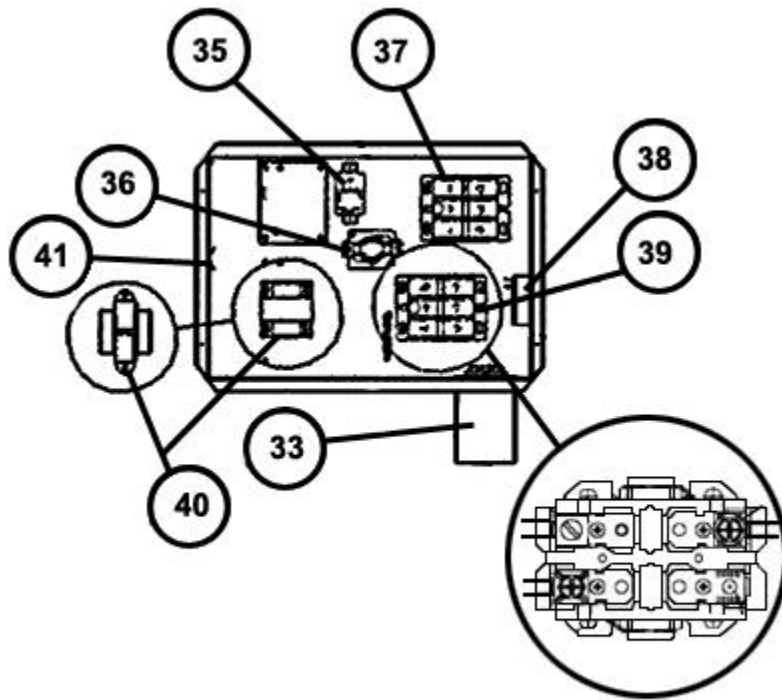
No.	Notes	MODEL TECHNICAL VARIATION COOLING CAPACITY ELECTRICAL DESIGNATION	RLNN- A 060 C	RLNN- A 060 D	RLNN- A 060 J	RLNN- A 060 Y
<b>COMPRESSOR GROUP</b>						
		<b>Compressor ID:</b>	<b>8702</b>	<b>8703</b>	<b>8701</b>	<b>8704</b>
79	Stk	Compressor	55-102045-27S	55-102045-28S	55-102045-26S	55-102045-41S
39		Compressor Contactor	See Electric Group			
33	Stk	Capacitor - Fan/Compressor	N/A	N/A	43-101665-47	N/A
91	Stk	Low Pressure Control	47-102240-03	47-102240-03	47-102240-03	47-102240-03
92	Stk	High Pressure Control	47-23699-04	47-23699-04	47-23699-04	47-23699-04
	Stk	Compressor Wiring Harness (Molded Plug)	<a href="#">45-100834-80</a>	<a href="#">45-100834-80</a>	<a href="#">45-100834-80</a>	<a href="#">45-100834-80</a>
		Bulkhead Valve Assembly (Suction Line)	61-101821-02	61-101821-02	61-101821-02	61-101821-02
		Bulkhead Valve Assembly (Liquid Line)	61-101821-03	61-101821-03	61-101821-03	61-101821-03

No.	Notes	MODEL TECHNICAL VARIATION COOLING CAPACITY ELECTRICAL DESIGNATION DRIVE PACKAGE	RLNN- A 036-048 C K/L/M	RLNN- A 036-048 D K/L/M
<b>HEATER KITS</b>				
		Heater Kit	RXJJ-A06C	RXJJ-A06D
		Heater Kit	RXJJ-A10C	RXJJ-A10D
		Heater Kit (Canada Only)	RXJJ-A11C	RXJJ-A11D
		Heater Kit	RXJJ-A12C	RXJJ-A12D
		Heater Kit	RXJJ-A15C	RXJJ-A15D
		Heater Kit	RXJJ-A20C	RXJJ-A20D
		Heater Kit (Canada Only)	RXJJ-A21C	RXJJ-A21D
		Heater Kit	N/A	N/A

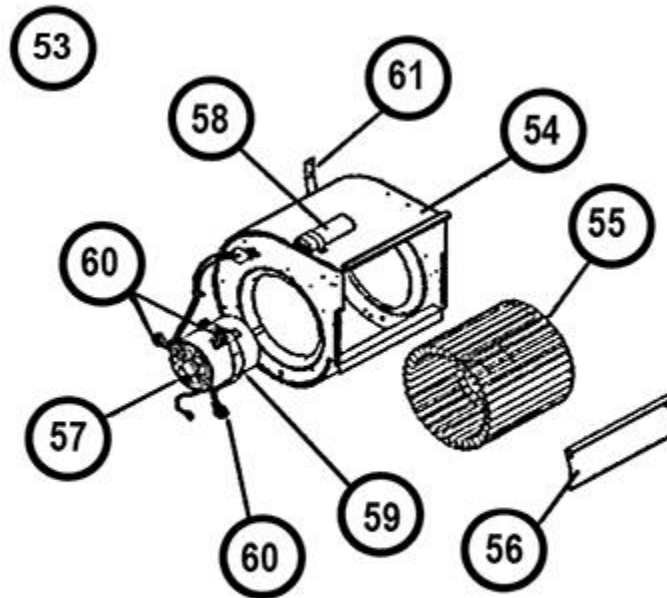
No.	Notes	MODEL TECHNICAL VARIATION COOLING CAPACITY ELECTRICAL DESIGNATION DRIVE PACKAGE	RLNN- A 060 D K/L/M	RLNN- A 036-060 J K
<b>HEATER KITS</b>				
		Heater Kit	RXJJ-A06D	RXJJ-A06J
		Heater Kit	RXJJ-A10D	RXJJ-A10J
		Heater Kit (Canada Only)	RXJJ-A11D	RXJJ-A11J
		Heater Kit	RXJJ-A12D	RXJJ-A12J
		Heater Kit	RXJJ-A15D	RXJJ-A15J
		Heater Kit	RXJJ-A20D	RXJJ-A20J
		Heater Kit (Canada Only)	RXJJ-A21D	RXJJ-A21J
		Heater Kit	RXJJ-A24D	N/A

No.	Notes	MODEL TECHNICAL VARIATION COOLING CAPACITY	RLNN- A ALL	
<b>ACCESSORIES</b>				
		Economizer - Single Enthalpy	AXRD-01RECAM3	
		Economizer - w/Smoke Detector	AXRD-01RECBM3	
		Dual Enthalpy Upgrade Kit	RXRX-AV02	
		CO2 Sensor	RXRX-AR02	
		Power Exhaust - C Voltage	AXRX-BGF04C	
		Power Exhaust - D Voltage	AXRX-BGF04D	
		Power Exhaust - Y Voltage	AXRX-BGF04Y	
		Louver Kit (2 Sides) 3-Ton	AXRX-AAD02B	
		Louver Kit (3 Sides) 4 & 5 Ton	AXRX-AAD01B	
38	Stk	Time Delay	RXMD-B01	
		Low Ambient Control	RXRZ-B01	
		Low Pressure Control	RXAC-C01	
		High Pressure Control	RXAB-E01	
		Fresh Air Damper - Manual	AXRF-FBA1	
		Fresh Air Damper - Motorized	AXRF-FBB1	

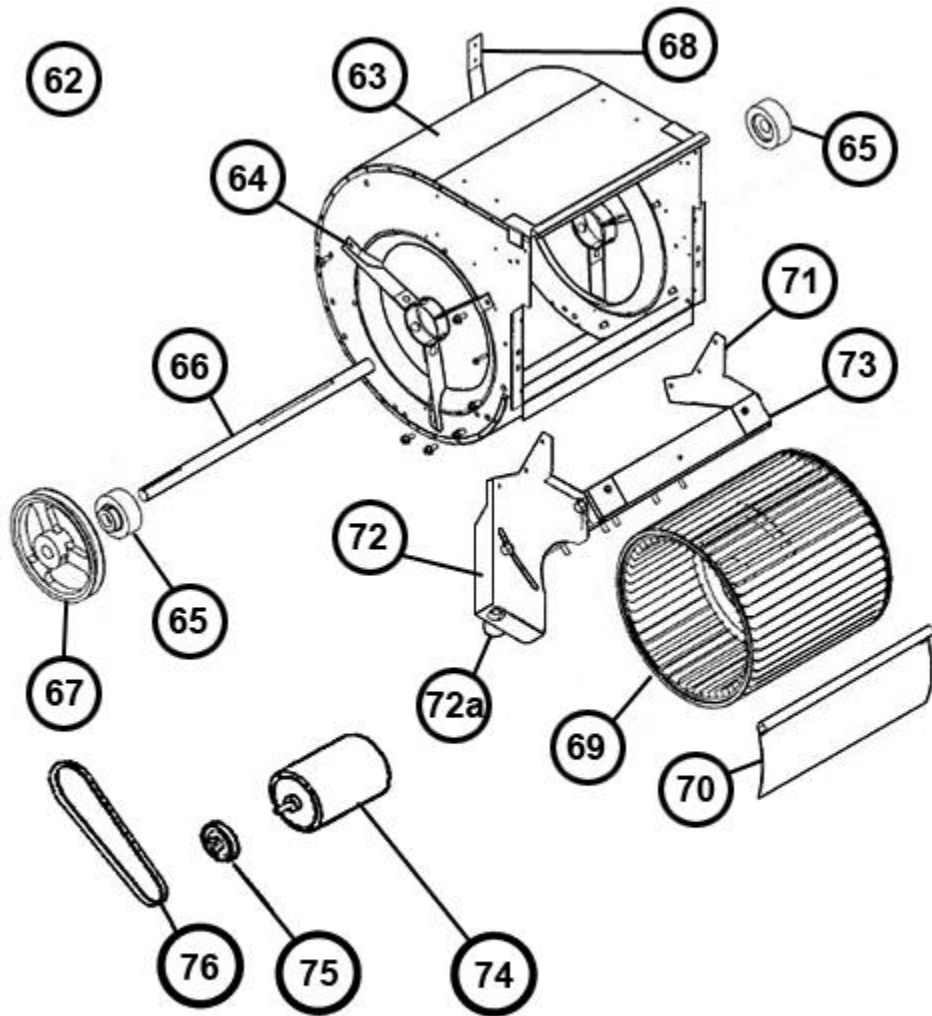




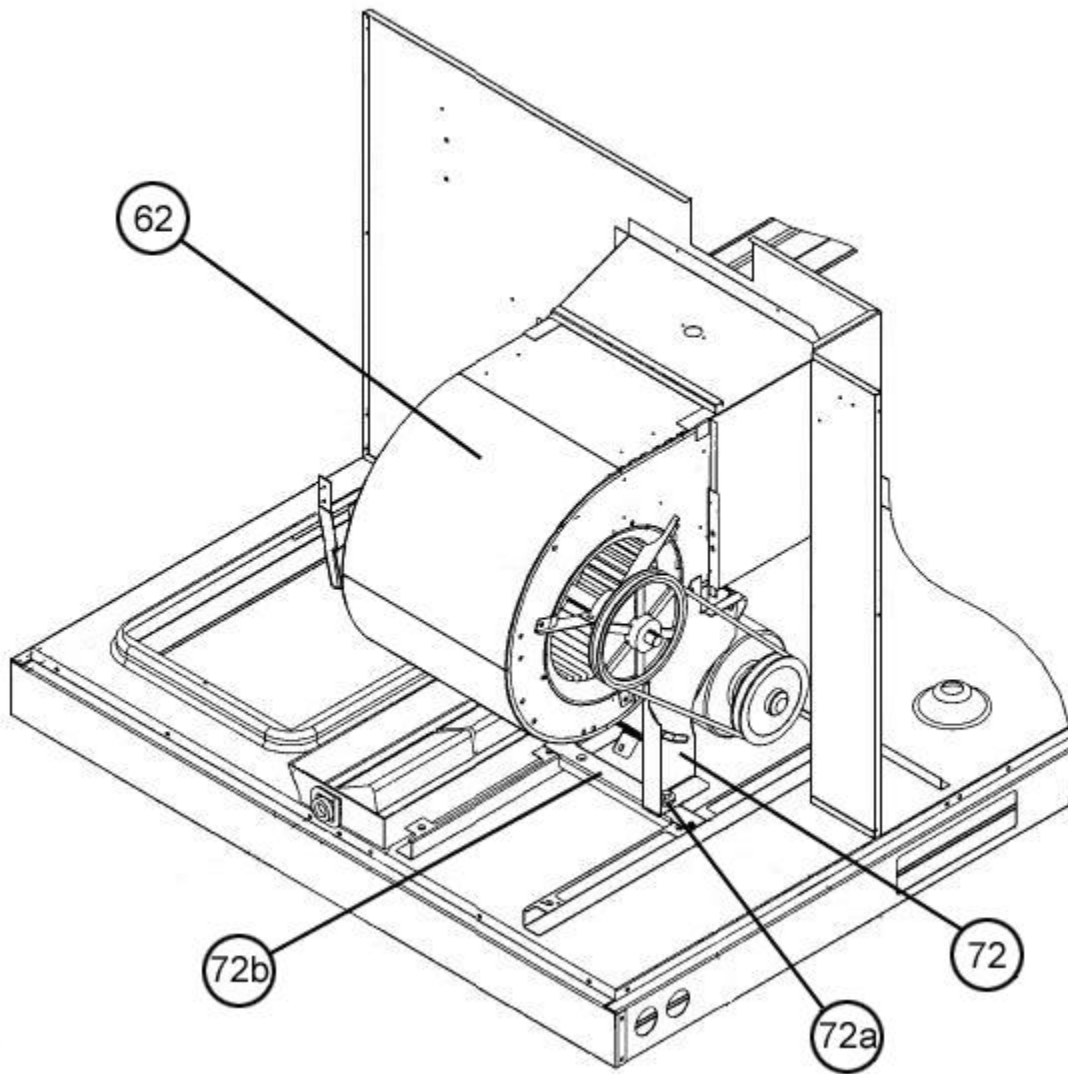
Control Box



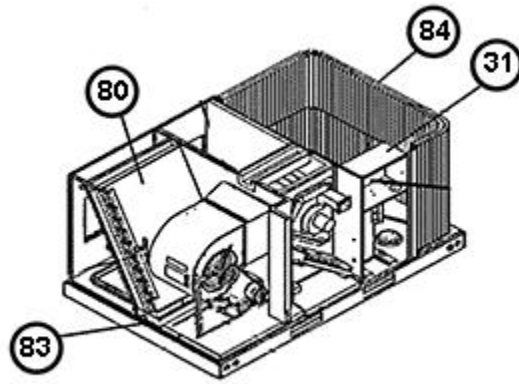
Blower Assembly - Direct Drive



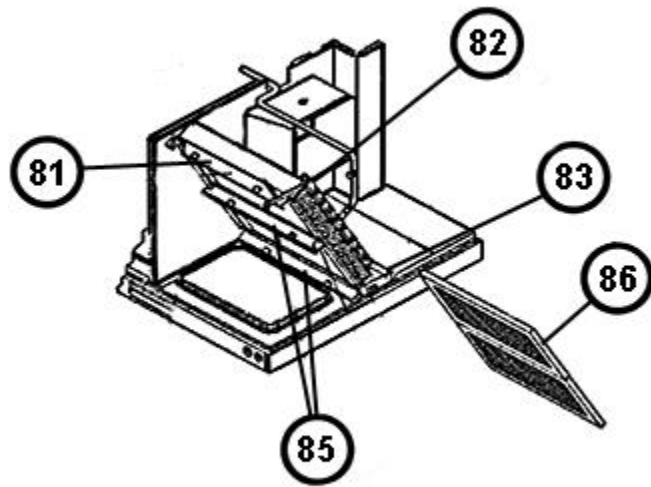
Blower Assembly - Belt Drive



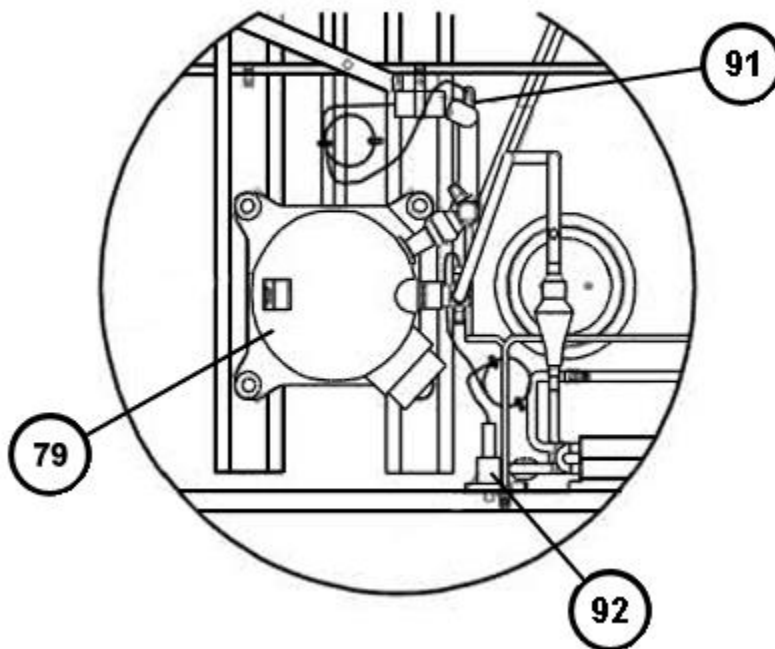
Blower Motor Mount Assembly - Belt Drive



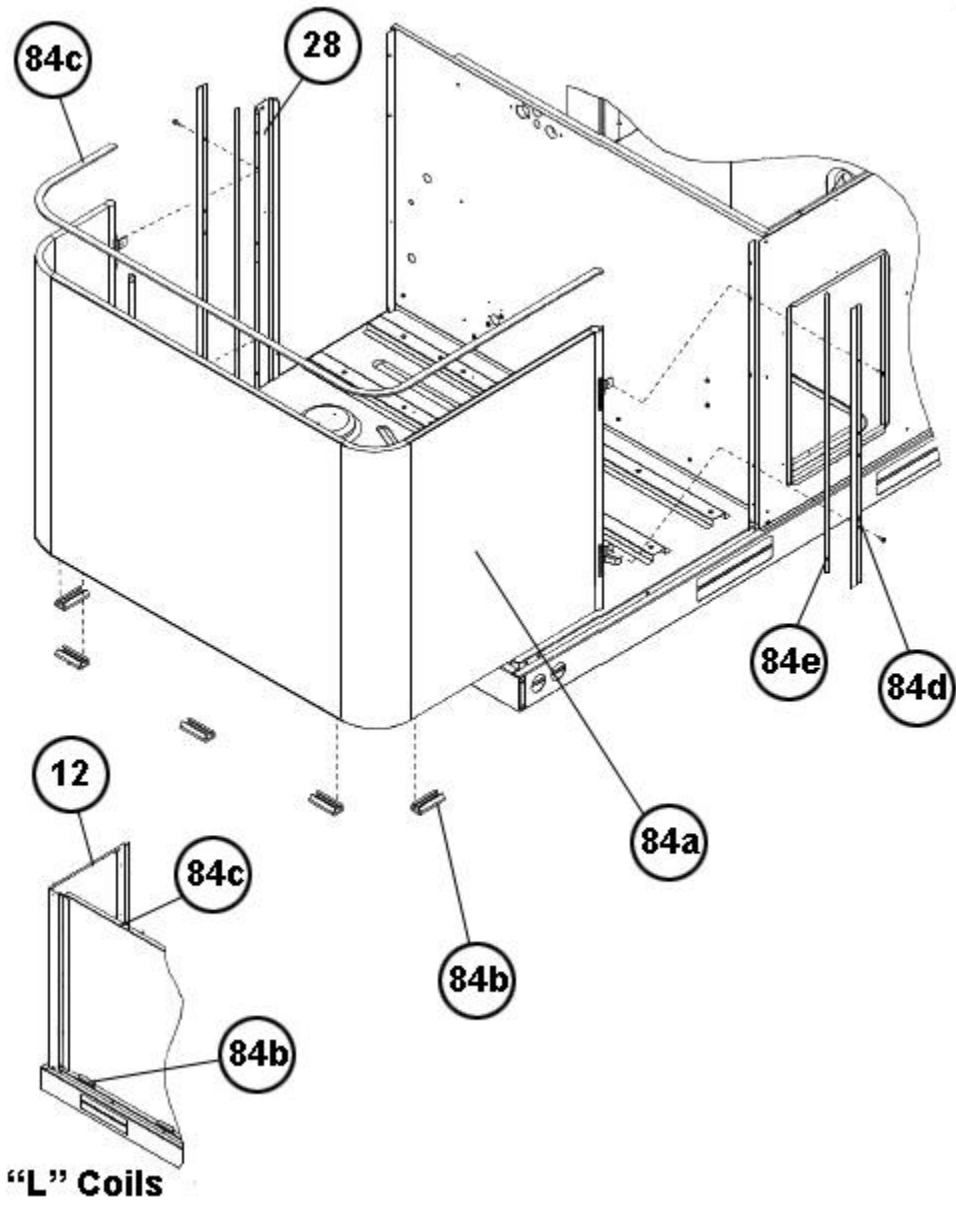
Coil Group Cut-away View



Evaporator Coil - Filter Parts



Compressor - Refrigeration Group



**"L" Coils**

Condenser Coil Pads

# NOTES

Stk It is recommended that stock be maintained for this part.  
N/A Not Applicable

**DISCLAIMER:** This document is intended to provide general replacement parts information to aid qualified service personnel in the repair of these models. The complete Model and Serial Number of the unit under repair should be specified when selecting and ordering replacement parts. Specifications and illustrations are subject to change without notice. Document 92-42800-RLNN-A supersedes all previous parts lists for these models. See <http://www.rheempartslists.net/92-42800-RLNN-A> for the latest revision of this document. The manufacturer assumes no obligation for errors or omissions. Service personnel must verify the proper and safe operation of equipment after the replacement of any original components.