



# RLKN-B

Parts List  
14-April-2021



*This parts list is current as of the above revision date.  
See <http://www.rheempartslists.net/92-42800-RLKN-B.pdf> for the current revision.*

**Package Air Conditioners - Commercial**

# Table of Contents

Model Explanation .....	Page 3
<b>Parts Numbers</b>	
Panels - Miscellaneous 072 .....	Page 4
Panels - Miscellaneous 073 .....	Page 5
Panels - Miscellaneous 073 (Hinged) .....	Page 6
Electrical Group 072 .....	Page 7
Fan Group 072 .....	Page 7
Electrical Group 073 .....	Page 8
Fan Group 073 .....	Page 8
Blower Group 072 .....	Page 9
Blower Group 073 .....	Page 10
Coil Parts 072 .....	Page 11
Compressor Group 072 .....	Page 11
Coil Parts 073 .....	Page 12
Compressor Group 073 .....	Page 12
Heater Kits 072 .....	Page 13
Accessories 072 .....	Page 13
Heater Kits 073 .....	Page 14
Accessories 073 .....	Page 14
<b>Drawings/Photographs</b>	
Exploded View .....	Page 15
Top Panel View .....	Page 16
Top Panel View (Hinged Panels) .....	Page 17
End Panel View .....	Page 18
End Panel View (Hinged Panels) .....	Page 19
Top Interior .....	Page 20
Blower Assembly - Belt Drive .....	Page 21
Control Box .....	Page 22
Blower Motor Mount Assembly - Belt Drive .....	Page 23
Plate Disconnect and Receptacle .....	Page 24
Evaporator Coil Filter .....	Page 25
Condenser and Coil Pads .....	Page 26
Compressor - Refrigeration Group .....	Page 27
Notes/Disclaimer .....	Page 28

**MODEL NUMBER EXPLANATION**

<b>R</b>	<b>L</b>	<b>K</b>	<b>N</b>	<b>-</b>	<b>B</b>	<b>072</b>	<b>C</b>	<b>L</b>	<b>000</b>	<b>AA</b>	<b>F</b>
1	2	3	4		5	6	7	8	9	10	11

- |  |   |  |
|--|---|--|
| <p><b>1 TRADE NAME</b></p> <p><b>2 L = PACKAGE AIR CONDITIONER</b><br/>Commercial</p> <p><b>3 EFFICIENCY DESIGNATION</b></p> <p><b>4 DESIGN SERIES</b><br/>N = R-410A</p> <p><b>5 TECHNICAL VARIATION</b><br/>B = First Design Series</p> <p><b>6 COOLING CAPACITY (BTUH)</b><br/>072 = 72,000<br/>073 = 72,000</p> <p><b>7 ELECTRICAL DESIGNATION</b><br/>C = 208-230/3/60<br/>D = 460/3/60<br/>Y = 575/3/60<br/>N = 380-415/3/50<br/>P = 200-220V/3/50</p> | <p><b>8</b></p> <p><b>9</b></p> <p><b>10</b></p> <p><b>11</b></p> | <p><b>DRIVE PACKAGE</b><br/>L = Belt Drive<br/>M = Belt Drive - High Static</p> <p><b>ELECTRIC HEAT- (Resistance Heat)</b><br/>000 = No Resistance Heat<br/>006 = 6 kW Resistance Heat<br/>010 = 10 kW Resistance Heat<br/>015 = 15 kW Resistance Heat<br/>020 = 20 kW Resistance Heat<br/>024 = 24 kW Resistance Heat</p> <p><b>OPTION CODES</b><br/>AA = No Options</p> <p><b>ECONOMIZER OPTIONS</b></p> |
|--|---|--|

**SERIAL NUMBER EXPLANATION**

<b>F</b>	<b>0</b>	<b>8</b>	<b>1</b>	<b>3</b>	<b>9</b>	<b>9</b>	<b>9</b>	<b>9</b>
(1)	(2)	(3)	(4)					

- (1) **PLANT CODE**  
F = Fort Smith, AR
- (2) **WEEK OF PRODUCTION**
- (3) **YEAR OF PRODUCTION**
- (4) **PRODUCTION NUMBER**

**Note: For Compressor Identification Number, see Compressor Code on Rating Plate**

No.	Notes	MODEL TECHNICAL VARIATION COOLING CAPACITY	RLKN- B 072
<b>PANELS, MISCELLANEOUS PARTS</b>			
1		Base Rail - Side (2)	AE-58900-02
2		Base Rail - Condenser End	AE-58901-01
3		Base Rail - Evaporator End	AE-58902-01
4		Outdoor Coil Base Pan	AS-59051-03HT
5		Indoor Coil Base Pan	AS-58910-06
7		Condenser Bulkhead (Does not include Limit Baffle or Tube Support Angles)	AS-103276-02
8		Blower Bulkhead (Does not include Tube Support Angle, Blower ExtensionS, or Insulation Retainer)	AS-103385-01
9		Blower Extension - Front	AE-58928-01
10		Blower Extension - Back	AE-58928-02
		Insulation Retainer	AE-59059-01
11		Wire Chase Insulation Assembly	AS-103291-01
12a		Corner Post (2)	AE-58965-01HT
12b		Front Post	AS-58967-01H
13		Stripping (Front Post)	AE-58897-11
14		Louvered Panel	See Accessories
15		Louvered Panel	See Accessories
16		Louvered Panel	See Accessories
17a		Supply Panel	AS-58992-01HT
17b		Return Panel	AS-58992-03HT
18		Rear Panel (Includes Insulation, Filler Panel, and Stripping)	AS-58976-02H
19		Filler Panel - Return Air	AS-58974-02H
		Rear Panel Stripping	AE-58897-43
20		Blower/Filter Access Panels (2)	AS-58990-01H
21		Post - Left End	AS-58973-01H
22		Front Panel	AS-59132-05H
23		Grommet	N/A
24		Electric Heat Access Panel	AS-59121-02HT
25		Electric Heat Blockoff Plate (for units with no heat)	AE-59123-02
26		Control Box Access Panel	AS-103284-01H
27a		Control Box Insert Panel	AS-103283-01H
27b		Disconnect Plate	AS-90756-05H
27c		Receptacle Plate	AS-90756-02H
27d		Button Plug	45-22980-09
27e		Star Bushing	45-18515-01
28		Post - Front	AS-103288-01H
29		Indoor Coil Top Panel Assembly	AS-58979-02H
30a		Condenser Top Panel Assembly	AS-58981-01H
30b		Condenser Top Support	AE-58980-01
32		Wire Grille	<a href="#">95-101660-01</a>
34a		Control Box Top	AE-103282-01
34b		Control Box (w/o components)	AS-103281-01

No.	Notes	MODEL TECHNICAL VARIATION COOLING CAPACITY	RLKN- B 073
<b>PANELS, MISCELLANEOUS PARTS</b>			
1		Base Rail - Side (2)	AE-58900-02
2		Base Rail - Condenser End	AE-58901-01
3		Base Rail - Evaporator End	AE-58902-01
4		Outdoor Coil Base Pan	AS-59051-03HT
5		Indoor Coil Base Pan	AS-58910-06
7		Condenser Bulkhead (Does not include Limit Baffle or Tube Support Angles)	AS-103276-02
8		Blower Bulkhead (Does not include Tube Support Angle, Blower ExtensionS, or Insulation Retainer)	AS-103385-01
9		Blower Extension - Front	AE-58928-01
10		Blower Extension - Back	AE-58928-02
		Insulation Retainer	AE-59059-01
11		Wire Chase Insulation Assembly	AS-103291-01
12a		Corner Post (2)	AE-58965-01HT
12b		Front Post	AE-58967-01HT
13		Stripping (Front Post)	AE-58897-11
14		Louvered Panel	See Accessories
15		Louvered Panel	See Accessories
16		Louvered Panel	See Accessories
17a		Supply Panel	AS-58992-01HT
17b		Return Panel	AS-58992-03HT
18		Rear Panel (Includes Insulation, Filler Panel, and Stripping)	AS-58976-02HT
19		Filler Panel - Return Air	AE-58974-02HT
		Rear Panel Stripping	AE-58897-43
20		Blower/Filter Access Panels (2)	AS-58990-01HT
21		Post - Left End	AS-58973-03HT
22		Front Panel	AS-59132-05HT
23		Grommet	N/A
24		Electric Heat Access Panel	AE-58987-04HT
25		Electric Heat Blockoff Plate (for units with no heat)	AE-59123-02
26		Control Box Access Panel	AE-103284-01HT
27a		Control Box Insert Panel	AE-103284-01HT
27b		Disconnect Plate	AE-90756-05HT
27c		Receptacle Plate	AE-90756-02HT
27d		Button Plug	45-22980-09
27e		Star Bushing	45-18515-01
28		Post - Front	AE-103288-01HT
29		Indoor Coil Top Panel Assembly	AS-58979-02HT
30a		Condenser Top Panel Assembly	AE-58981-01HT
30b		Condenser Top Support	AE-58980-01
32		Wire Grille	<a href="#">95-101660-01</a>
34a		Control Box Top	AE-103282-01
34b		Control Box (w/o components)	AS-103281-01

No.	Notes	MODEL TECHNICAL VARIATION COOLING CAPACITY	RLKN- B 073
<b>PANELS, MISCELLANEOUS PARTS (Hinged Panels)</b>			
1		Base Rail - Side (2)	AE-58900-02
2		Base Rail - Condenser End	AE-58901-01
3		Base Rail - Evaporator End	AE-58902-01
4		Outdoor Coil Base Pan	AS-59051-03HT
5		Indoor Coil Base Pan	AS-58910-06
7		Condenser Bulkhead (Does not include Limit Baffle or Tube Support Angles)	AS-103276-02
8		Blower Bulkhead (Does not include Tube Support Angle, Blower ExtensionS, or Insulation Retainer)	AS-103385-01
9		Blower Extension - Front	AE-58928-01
10		Blower Extension - Back	AE-58928-02
		Insulation Retainer	AE-59059-01
11		Wire Chase Insulation Assembly	AS-103291-01
12a		Corner Post (2)	AE-58965-01HT
12b		Front Post	AE-58967-01HT
13		Stripping (Front Post)	AE-58897-11
14		Louvered Panel	See Accessories
15		Louvered Panel	See Accessories
16		Louvered Panel	See Accessories
17a		Supply Panel	AS-58992-01HT
17b		Return Panel	AS-58992-03HT
18		Rear Panel (Includes Insulation, Filler Panel, and Stripping)	AS-58976-04HT
19		Filler Panel - Return Air	AE-58974-02HT
		Rear Panel Stripping	AE-58897-43
20a		Blower/Filter Door - Right	AS-102872-33HT
20b		Blower/Filter Door - Left	AS-102872-34HT
20c		Bracket - Bottom Panel (2)	AE-102859-26HT
21		Post - Left End	AS-58973-02HT
22		Front Panel	AS-59132-07HT
23		Grommet	N/A
24		Electric Heat Access Panel	AE-58987-04HT
25		Electric Heat Blockoff Plate (for units with no heat)	AE-59123-02
26		Control Box Access Door (Includes Latch Assy and Gasket)	AS-102872-32HT
26a		Bracket - Top Panel	AE-102859-25HT
26b		Bracket - Middle Panel	AE-102859-28HT
27a		Control Box Insert Panel	AE-103283-01HT
27b		Disconnect Plate	AE-90756-05HT
27c		Receptacle Plate	AE-90756-02HT
27d		Button Plug	45-22980-09
27e		Star Bushing	45-18515-01
28		Post - Front	AE-103288-02HT
29		Indoor Coil Top Panel Assembly	AS-58979-05HT
29a		Bracket - Top Panel	AE-102859-30HT
30a		Condenser Top Panel Assembly	AE-58981-01HT
30b		Condenser Top Support	AE-58980-01
32		Wire Grille	<a href="#">95-101660-01</a>
34a		Control Box Top	AE-103282-01
34b		Control Box (w/o components)	AS-103281-01

No.	Notes	MODEL TECHNICAL VARIATION COOLING CAPACITY ELECTRICAL DESIGNATION	RLKN- B 072 C	RLKN- B 072 D	RLKN- B 072 Y
<b>ELECTRIC GROUP</b>					
<b>CONTROL BOX COMPONENTS:</b>					
37		Capacitor - Fan Motor	See Fan Group		
39		Compressor Time Delay Relay	See Accessories		
40a		Compressor Contactor	See Compressor Group		
40b	Stk	Blower Contactor	42-102664-08	42-102664-08	42-102664-08
41		Relay - Blower	42-101208-01	42-101208-01	42-101208-01
42		Ground Lug	45-19000-01	45-19000-01	45-19000-01
43a	Stk	Transformer	46-103324-04	46-103324-02	46-103324-03
43b		Button Plug	45-22980-09	45-22980-09	45-22980-09
43c		Low Voltage Shield	AE-103285-01	AE-103285-01	AE-103285-01
44		Terminal Strip	45-23591-01	45-23591-01	45-23591-01
<b>MISCELLANEOUS:</b>					
	Stk	Fuse - 3 amp	44-101986-01	44-101986-01	44-101986-01
		Wiring Harness - Twist Loc (6 pin to 5 strip leads, 3 strip leads to 3 strip leads)	45-102819-01	45-102819-01	45-102819-01
		Wiring Harness - Economizer (12 pin)	45-42522-109	45-42522-109	45-42522-109
		Low Ambient Control	See Accessories		
50		Low Pressure Control	See Compressor Group		
51		High Pressure Control	See Compressor Group		

No.	Notes	MODEL TECHNICAL VARIATION COOLING CAPACITY ELECTRICAL DESIGNATION	RLKN- B 072 C	RLKN- B 072 D	RLKN- B 072 Y
<b>FAN GROUP</b>					
35	Stk	Fan Motor	51-100998-13	51-100998-12	51-100998-28
36	Stk	Fan Blade	<a href="#">70-42484-01</a>	<a href="#">70-42484-01</a>	<a href="#">70-42484-01</a>
37	Stk	Capacitor - Fan Motor	43-100496-12	43-100496-12	43-100496-11

No.	Notes	MODEL TECHNICAL VARIATION COOLING CAPACITY ELECTRICAL DESIGNATION	RLKN- B 073 C	RLKN- B 073 D	RLKN- B 073 Y
<b>ELECTRIC GROUP</b>					
<b>CONTROL BOX COMPONENTS:</b>					
37		Capacitor - Fan Motor		See Fan Group	
39		Compressor Time Delay Relay		See Accessories	
40a		Compressor Contactor		See Compressor Group	
40b	Stk	Blower Contactor	42-102664-08	42-102664-08	42-102664-08
41		Relay - Blower	42-101208-01	42-101208-01	42-101208-01
42		Ground Lug	45-19000-01	45-19000-01	45-19000-01
43a	Stk	Transformer	46-103324-04	46-103324-02	46-103324-03
43b		Button Plug	45-22980-09	45-22980-09	45-22980-09
43c		Low Voltage Shield	AE-103285-01	AE-103285-01	AE-103285-01
44		Terminal Strip	45-23591-01	45-23591-01	45-23591-01
<b>MISCELLANEOUS:</b>					
	Stk	Fuse - 3 amp	44-101986-01	44-101986-01	44-101986-01
		Wiring Harness - Twist Loc (6 pin to 5 strip leads, 3 strip leads to 3 strip leads)	45-102819-01	45-102819-01	45-102819-01
		Wiring Harness - Economizer (12 pin)	45-42522-109	45-42522-109	45-42522-109
		Wiring Harness - VFD Controls (5 pin to 2 stripped ends, flag terminal, piggyback terminal)	45-42522-153	45-42522-153	N/A
		Wiring Harness - Indoor Blower/VFD (4 pin to 3 quick connects and flanged terminal)	45-42522-154	45-42522-154	N/A
		Wiring Harness - Indoor Blower Motor (4 pin to 3 stripped ends and flange terminal)	45-42522-155	45-42522-155	N/A
		Wiring Harness - Compressor		See Compressor Group	
		Low Ambient Control		See Accessories	
50		Low Pressure Control		See Compressor Group	
51		High Pressure Control		See Compressor Group	

No.	Notes	MODEL TECHNICAL VARIATION COOLING CAPACITY ELECTRICAL DESIGNATION	RLKN- B 073 C	RLKN- B 073 D	RLKN- B 073 Y
<b>FAN GROUP</b>					
35	Stk	Fan Motor	51-42534-32	51-42534-33	51-42534-34
36	Stk	Fan Blade	<a href="#">70-42484-01</a>	<a href="#">70-42484-01</a>	<a href="#">70-42484-01</a>
37	Stk	Capacitor - Fan Motor	43-100496-17	43-100496-12	43-100496-51

No.	Notes	MODEL	RLKN-	RLKN-	RLKN-	RLKN-	RLKN-	RLKN-
		TECHNICAL VARIATION	B	B	B	B	B	B
		COOLING CAPACITY	072	072	072	072	072	072
		ELECTRICAL DESIGNATION	C	C	D	D	Y	Y
		DRIVE PACKAGE	L	M	L	M	L	M
<b>BLOWER GROUP - BELT DRIVE</b>								
62	Stk	Blower Assembly (Items 63-73, Excluding Cross Brace)	AS-101336-03	AS-101336-03	AS-101336-03	AS-101336-03	AS-101336-03	AS-101336-03
63		Housing	AS-101342-01	AS-101342-01	AS-101342-01	AS-101342-01	AS-101342-01	AS-101342-01
64		Bearing Frame Tri-Arm (2)	<a href="#">70-41723-02</a>	<a href="#">70-41723-02</a>	<a href="#">70-41723-02</a>	<a href="#">70-41723-02</a>	<a href="#">70-41723-02</a>	<a href="#">70-41723-02</a>
65	Stk	Ball Bearing And Cushion (2)	<a href="#">70-41911-01</a>	<a href="#">70-41911-01</a>	<a href="#">70-41911-01</a>	<a href="#">70-41911-01</a>	<a href="#">70-41911-01</a>	<a href="#">70-41911-01</a>
66	Stk	Blower Shaft	<a href="#">70-21933-02</a>	<a href="#">70-21933-02</a>	<a href="#">70-21933-02</a>	<a href="#">70-21933-02</a>	<a href="#">70-21933-02</a>	<a href="#">70-21933-02</a>
67	Stk	Fixed Pitch Sheave	71-21932-03	71-21932-03	71-21932-03	71-21932-03	71-21932-03	71-21932-03
68		Blower Support - Left	AE-58950-03	AE-58950-03	AE-58950-03	AE-58950-03	AE-58950-03	AE-58950-03
69	Stk	Blower Wheel	<a href="#">70-21773-01</a>	<a href="#">70-21773-01</a>	<a href="#">70-21773-01</a>	<a href="#">70-21773-01</a>	<a href="#">70-21773-01</a>	<a href="#">70-21773-01</a>
70		Cut-Off Tabulation	AE-64401-18	AE-64401-18	AE-64401-18	AE-64401-18	AE-64401-18	AE-64401-18

No.	Notes	MODEL	RLKN-	RLKN-	RLKN-	RLKN-	RLKN-	RLKN-
		TECHNICAL VARIATION	B	B	B	B	B	B
		COOLING CAPACITY	072	072	072	072	072	072
		ELECTRICAL DESIGNATION	C	C	D	D	Y	Y
		DRIVE PACKAGE	L	M	L	M	L	M
<b>BLOWER MOTOR MOUNTING - BELT DRIVE</b>								
MOTOR MOUNTING:								
71		Blower Bracket	AE-101124-05	AE-101124-05	AE-101124-05	AE-101124-05	AE-101124-05	AE-101124-05
72		Blower Bracket - Drive Side	AE-101124-03	AE-101124-03	AE-101124-03	AE-101124-03	AE-101124-03	AE-101124-03
72a		Grommet	56-18518-04	56-18518-04	56-18518-04	56-18518-04	56-18518-04	56-18518-04
72b		Cross Brace	AE-101467-01	AE-101467-01	AE-101467-01	AE-101467-01	AE-101467-01	AE-101467-01
73		Motor Mount Assembly	AS-101340-01	AS-101340-01	AS-101340-01	AS-101340-01	AS-101340-01	AS-101340-01

No.	Notes	MODEL	RLKN-	RLKN-	RLKN-	RLKN-	RLKN-	RLKN-
		TECHNICAL VARIATION	B	B	B	B	B	B
		COOLING CAPACITY	072	072	072	072	072	072
		ELECTRICAL DESIGNATION	C	C	D	D	Y	Y
		DRIVE PACKAGE	L	M	L	M	L	M
<b>BLOWER MOTOR GROUP - BELT DRIVE</b>								
74		Blower Motor	<a href="#">51-41936-02</a>	<a href="#">51-41936-02</a>	<a href="#">51-41936-02</a>	<a href="#">51-41936-02</a>	51-42177-10	51-42177-10
75		Variable Pitch Sheave	71-40427-29	71-40427-25	71-40427-29	71-40427-25	71-40427-29	71-40427-25
76		Belt	71-40235-42	71-40235-43	71-40235-42	71-40235-43	71-40235-42	71-40235-43

No.	Notes	MODEL	RLKN-	RLKN-	RLKN-	RLKN-	RLKN-	RLKN-
		TECHNICAL VARIATION	B	B	B	B	B	B
		COOLING CAPACITY	073	073	073	073	073	073
		ELECTRICAL DESIGNATION	C	C	D	D	Y	Y
		DRIVE PACKAGE	L	M	L	M	L	M
<b>BLOWER GROUP - BELT DRIVE</b>								
62	Stk	Blower Assembly (Items 63-73, Excluding Cross Brace)	AS-101336-09	AS-101336-09	AS-101336-09	AS-101336-09	AS-101336-03	AS-101336-03
63		Housing	AS-101342-01	AS-101342-01	AS-101342-01	AS-101342-01	AS-101342-01	AS-101342-01
64		Bearing Frame Tri-Arm (2)	<a href="#">70-41723-02</a>	<a href="#">70-41723-02</a>	<a href="#">70-41723-02</a>	<a href="#">70-41723-02</a>	<a href="#">70-41723-02</a>	<a href="#">70-41723-02</a>
65	Stk	Ball Bearing And Cushion (2)	<a href="#">70-41911-01</a>	<a href="#">70-41911-01</a>	<a href="#">70-41911-01</a>	<a href="#">70-41911-01</a>	<a href="#">70-41911-01</a>	<a href="#">70-41911-01</a>
66	Stk	Blower Shaft	<a href="#">70-21933-02</a>	<a href="#">70-21933-02</a>	<a href="#">70-21933-02</a>	<a href="#">70-21933-02</a>	<a href="#">70-21933-02</a>	<a href="#">70-21933-02</a>
67	Stk	Fixed Pitch Sheave	<a href="#">71-104627-01</a>	<a href="#">71-104627-01</a>	<a href="#">71-104627-01</a>	<a href="#">71-104627-01</a>	<a href="#">71-104627-01</a>	<a href="#">71-104627-01</a>
68		Blower Support - Left	AE-58950-03	AE-58950-03	AE-58950-03	AE-58950-03	AE-58950-03	AE-58950-03
69	Stk	Blower Wheel	<a href="#">70-21773-01</a>	<a href="#">70-21773-01</a>	<a href="#">70-21773-01</a>	<a href="#">70-21773-01</a>	<a href="#">70-21773-01</a>	<a href="#">70-21773-01</a>
70		Cut-Off Tabulation	AE-64401-18	AE-64401-18	AE-64401-18	AE-64401-18	AE-64401-18	AE-64401-18

No.	Notes	MODEL	RLKN-	RLKN-	RLKN-	RLKN-	RLKN-	RLKN-
		TECHNICAL VARIATION	B	B	B	B	B	B
		COOLING CAPACITY	073	073	073	073	073	073
		ELECTRICAL DESIGNATION	C	C	D	D	Y	Y
		DRIVE PACKAGE	L	M	L	M	L	M
<b>BLOWER MOTOR MOUNTING - BELT DRIVE</b>								
MOTOR MOUNTING:								
71		Blower Bracket	AE-101124-05	AE-101124-05	AE-101124-05	AE-101124-05	AE-101124-05	AE-101124-05
72		Blower Bracket - Drive Side	AE-101124-03	AE-101124-03	AE-101124-03	AE-101124-03	AE-101124-03	AE-101124-03
72a		Grommet	56-18518-04	56-18518-04	56-18518-04	56-18518-04	56-18518-04	56-18518-04
72b		Cross Brace	AE-101467-01	AE-101467-01	AE-101467-01	AE-101467-01	AE-101467-01	AE-101467-01
73		Motor Mount Assembly	AS-101340-02	AS-101340-02	AS-101340-02	AS-101340-02	AS-101340-01	AS-101340-01

No.	Notes	MODEL	RLKN-	RLKN-	RLKN-	RLKN-	RLKN-	RLKN-
		TECHNICAL VARIATION	B	B	B	B	B	B
		COOLING CAPACITY	073	073	073	073	073	073
		ELECTRICAL DESIGNATION	C	C	D	D	Y	Y
		DRIVE PACKAGE	L	M	L	M	L	M
<b>BLOWER MOTOR GROUP - BELT DRIVE</b>								
74		Blower Motor	51-42537-05	51-42537-05	51-42537-05	51-42537-05	51-41936-04	51-41936-04
75		Variable Pitch Sheave	<a href="#">71-104625-01</a>	71-104625-08	<a href="#">71-104625-01</a>	71-104625-08	71-104625-02	71-104625-05
76		Belt	71-40235-42	71-40235-43	71-40235-42	71-40235-43	71-40235-42	71-40235-43

No.	Notes	MODEL TECHNICAL VARIATION COOLING CAPACITY ELECTRICAL DESIGNATION	RLKN- B 072 C	RLKN- B 072 D	RLKN- B 072 Y
<b>COIL GROUP</b>					
		Filter Keeper	AE-59168-01	AE-59168-01	AE-59168-01
<b>EVAPORATOR COIL:</b>					
77	Stk	Evaporator Coil - Coil Frame Assembly (includes Frame Sides, Angle, Frame Bottom and Top Air Stop)	AS-104531-03	AS-104531-03	AS-104531-03
	Stk	TXV - Sporlan	61-102211-42	61-102211-42	61-102211-42
80		Top Air Stop	AE-58933-02	AE-58933-02	AE-58933-02
81		Top Coil Support	AE-58941-01	AE-58941-01	AE-58941-01
82		Filter Channels (3) Center Is Two Channels Back To Back	AE-58934-03	AE-58934-03	AE-58934-03
83		Indoor Coil Drain Pan	68-23559-02	68-23559-02	68-23559-02
<b>CONDENSER COIL:</b>					
84	Stk	Condenser Coil	AS-104518-01	AS-104518-01	AS-104518-01
84a		Pad - Bottom Coil	68-104248-03 (5)	68-104248-03 (5)	68-104248-03 (5)
84b		Coil Filler Plate (2)	AS-104545-03H	AS-104545-03H	AS-104545-03H
84c		Stripping	68-42246-06	68-42246-06	68-42246-06
	Stk	Filter Drier	83-22755-10	83-22755-10	83-22755-10
85		Filter - Disposable (4)	54-17531-24	54-17531-24	54-17531-24

No.	Notes	MODEL TECHNICAL VARIATION COOLING CAPACITY ELECTRICAL DESIGNATION	RLKN- B 072 C	RLKN- B 072 D	RLKN- B 072 Y
<b>COMPRESSOR GROUP</b>					
<b>Compressor ID:</b>			<b>8958</b>	<b>8959</b>	<b>8960</b>
86	Stk	Compressor	55-102471-21S	55-102471-22S	55-102471-23S
40	Stk	Contactator	42-102664-08	42-102664-08	42-102664-08
	Stk	Compressor Wiring Harness - Molded Plug	45-100834-10	45-100834-10	45-100834-10
50		Low Pressure Control	47-102240-03	47-102240-03	47-102240-03
51		High Pressure Control	47-23699-04	47-23699-04	47-23699-04

No.	Notes	MODEL TECHNICAL VARIATION COOLING CAPACITY ELECTRICAL DESIGNATION	RLKN- B 073 C	RLKN- B 073 D	RLKN- B 073 Y
<b>COIL GROUP</b>					
		Filter Keeper	AE-59168-01	AE-59168-01	AE-59168-01
<b>EVAPORATOR COIL:</b>					
77	Stk	Evaporator Coil - Coil Frame Assembly (includes Frame Sides, Angle, Frame Bottom and Top Air Stop)	AS-104531-03	AS-104531-03	AS-104531-03
	Stk	TXV - Sporlan	61-102211-42	61-102211-42	61-102211-42
80		Top Air Stop	AE-58933-02HT	AE-58933-02HT	AE-58933-02HT
81		Top Coil Support	AE-58941-01	AE-58941-01	AE-58941-01
82		Filter Channels (3) Center Is Two Channels Back To Back	AE-58934-03	AE-58934-03	AE-58934-03
83		Indoor Coil Drain Pan	68-23559-02	68-23559-02	68-23559-02
<b>CONDENSER COIL:</b>					
84	Stk	Condenser Coil	AS-104518-01	AS-104518-01	AS-104518-01
84a		Pad - Bottom Coil	68-104248-03 (5)	68-104248-03 (5)	68-104248-03 (5)
84b		Coil Filler Plate (2)	AE-104545-03HT	AE-104545-03HT	AE-104545-03HT
84c		Stripping	68-42246-06	68-42246-06	68-42246-06
	Stk	Filter Drier	83-22755-25	83-22755-25	83-22755-25
85		Filter - Disposable (4)	54-17531-24	54-17531-24	54-17531-24

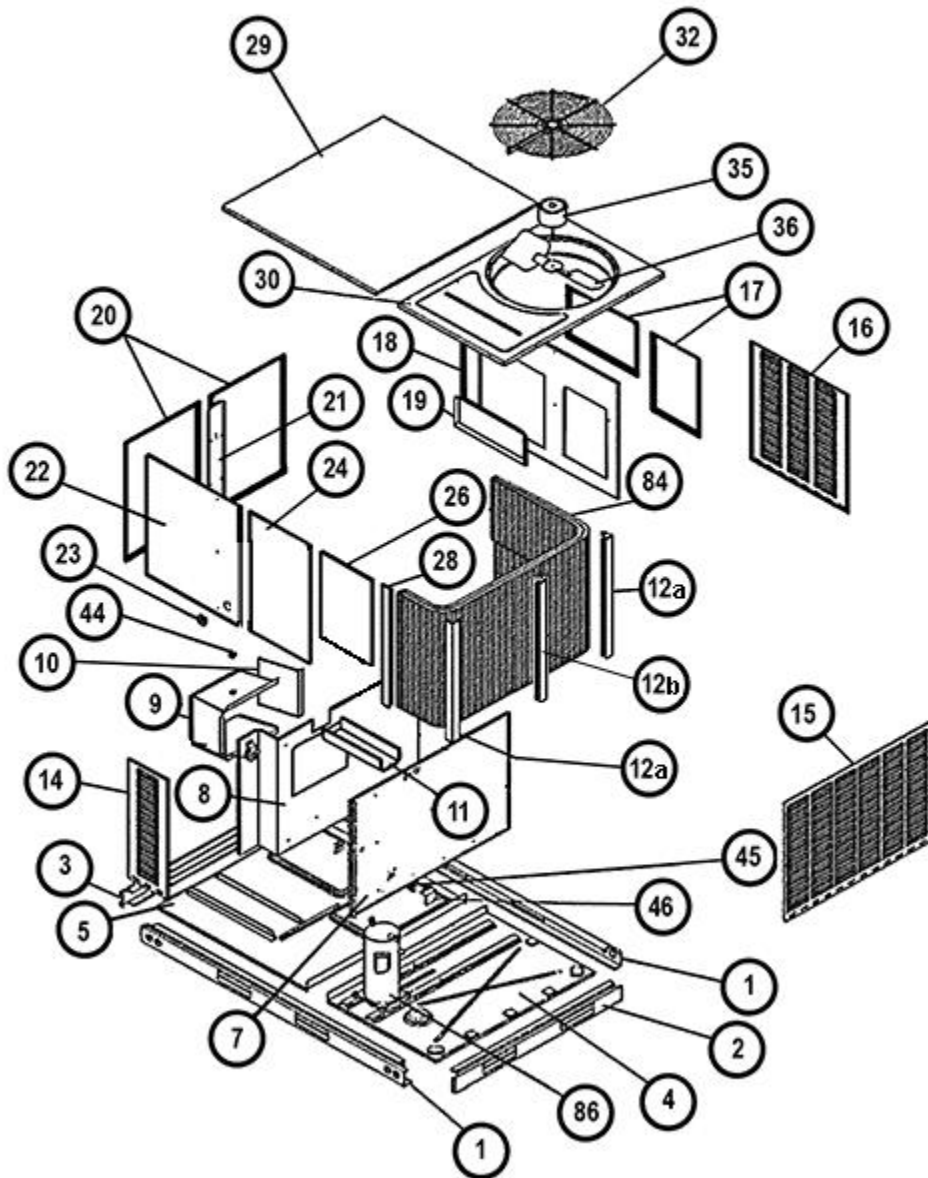
No.	Notes	MODEL TECHNICAL VARIATION COOLING CAPACITY ELECTRICAL DESIGNATION	RLKN- B 073 C	RLKN- B 073 D	RLKN- B 073 Y
<b>COMPRESSOR GROUP</b>					
<b>Compressor ID:</b>			<b>9455</b>	<b>9456</b>	<b>9457</b>
86	Stk	Compressor	55-23156-60	55-23156-61	55-23156-62
40	Stk	Contactator	42-102664-08	42-102664-08	42-102664-08
	Stk	Compressor Wiring Harness - Molded Plug	45-100834-10	45-100834-10	45-100834-10
	Stk	Compressor Wiring Harness - Low Voltage - Molded Plug "Includes Rectifier"	45-101723-02	45-101723-02	45-101723-02
50		Low Pressure Control	47-102240-03	47-102240-03	47-102240-03
51		High Pressure Control	47-23699-04	47-23699-04	47-23699-04

No.	Notes	MODEL TECHNICAL VARIATION COOLING CAPACITY ELECTRICAL DESIGNATION DRIVE PACKAGE	RLKN- B 072 C L/M	RLKN- B 072 D L/M	RLKN- B 072 Y L/M
<b>HEATER KITS</b>					
		Electric Element Kits - Option	RXJJ-A06C	RXJJ-A06D	N/A
		Electric Element Kits - Option	RXJJ-A10C	RXJJ-A10D	N/A
		Electric Element Kits - Option	RXJJ-A15C	RXJJ-A15D	RXJJ-A15Y
		Electric Element Kits - Option	RXJJ-A20C	RXJJ-A20D	RXJJ-A20Y
		Electric Element Kits - Option	RXJJ-A24C	RXJJ-A24D	RXJJ-A24Y

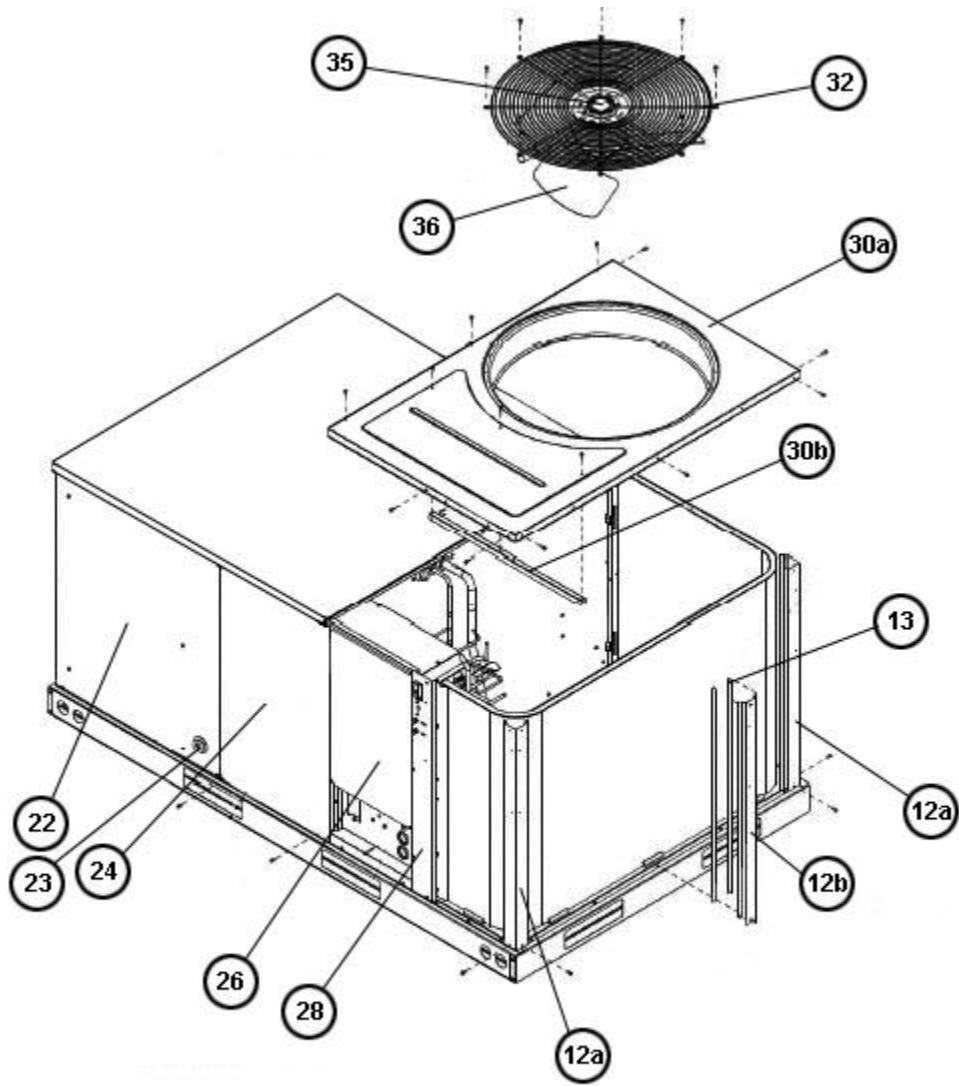
No.	Notes	MODEL TECHNICAL VARIATION COOLING CAPACITY			RLKN- B 072
<b>OPTIONS AND ACCESSORIES</b>					
		Economizer - Downflow/Horizontal, Single Enthalpy			RXRD-MCCM3
		Dual Enthalpy Upgrade Kit			RXRX-AV02
		CO2 Sensor			RXRX-AR02
		Power Exhaust (C,D,Y voltages)			RXRX-BGF03
		Louver Kit (3 Sides)			RXRX-AAD01B
		Time Delay - Compressor			RXMD-B04
		Low Ambient Control			RXRZ-A85
		Fresh Air Damper - Manual			RXRF-FCA1
		Fresh Air Damper - Motorized			RXRF-FCB1

No.	Notes	MODEL TECHNICAL VARIATION COOLING CAPACITY ELECTRICAL DESIGNATION DRIVE PACKAGE	RLKN- B 073 C L/M	RLKN- B 073 D L/M	RLKN- B 073 Y L/M
<b>HEATER KITS</b>					
		Electric Element Kits - Option	RXJJ-A06C	RXJJ-A06D	N/A
		Electric Element Kits - Option	RXJJ-A10C	RXJJ-A10D	N/A
		Electric Element Kits - Option	RXJJ-A15C	RXJJ-A15D	RXJJ-A15Y
		Electric Element Kits - Option	RXJJ-A20C	RXJJ-A20D	RXJJ-A20Y
		Electric Element Kits - Option	RXJJ-A24C	RXJJ-A24D	RXJJ-A24Y

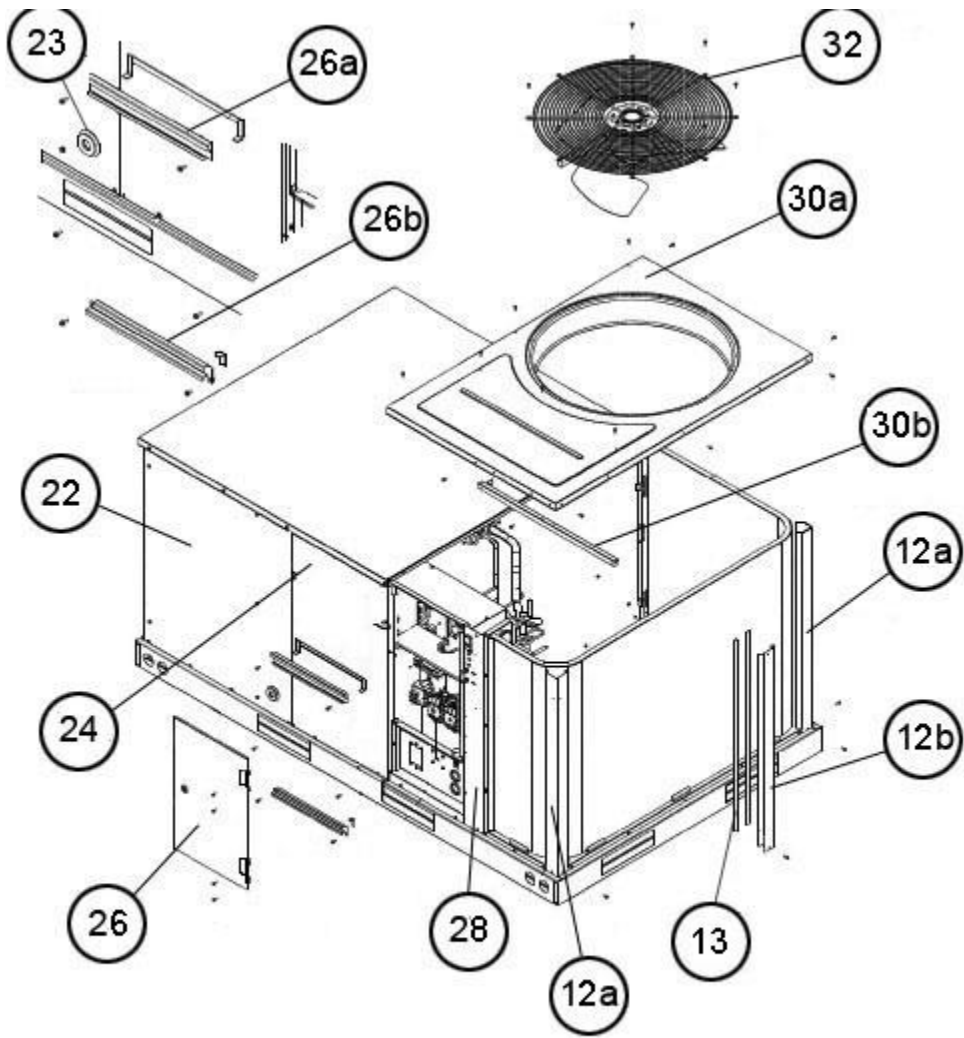
No.	Notes	MODEL TECHNICAL VARIATION COOLING CAPACITY			RLKN- B 073
<b>OPTIONS AND ACCESSORIES</b>					
		Economizer - Single Enthalpy with Barometric Relief			AXRD-RCCAM3
		Economizer - Single Enthalpy and Smoke Detector			AXRD-RCCBM3
		Dual Enthalpy Upgrade Kit			RXR-AR02
		CO2 Sensor			RXR-AR02
		Power Exhaust (C voltage)			AXRX-BGF03C
		Power Exhaust (D voltage)			AXRX-BGF03D
		Power Exhaust (Y voltage)			AXRX-BGF03Y
		Louver Kit (3 Sides)			AXRX-AAD01B
		Time Delay - Compressor			RXMD-B04
		Low Ambient Control			RXRZ-A04
		Fresh Air Damper - Manual			AXRF-FCA1
		Fresh Air Damper - Motorized			AXRF-JHB1
		VFD Drive Package Kit (208/230V)			RXR-NC02
		VFD Drive Package Kit (460V)			RXR-ND02



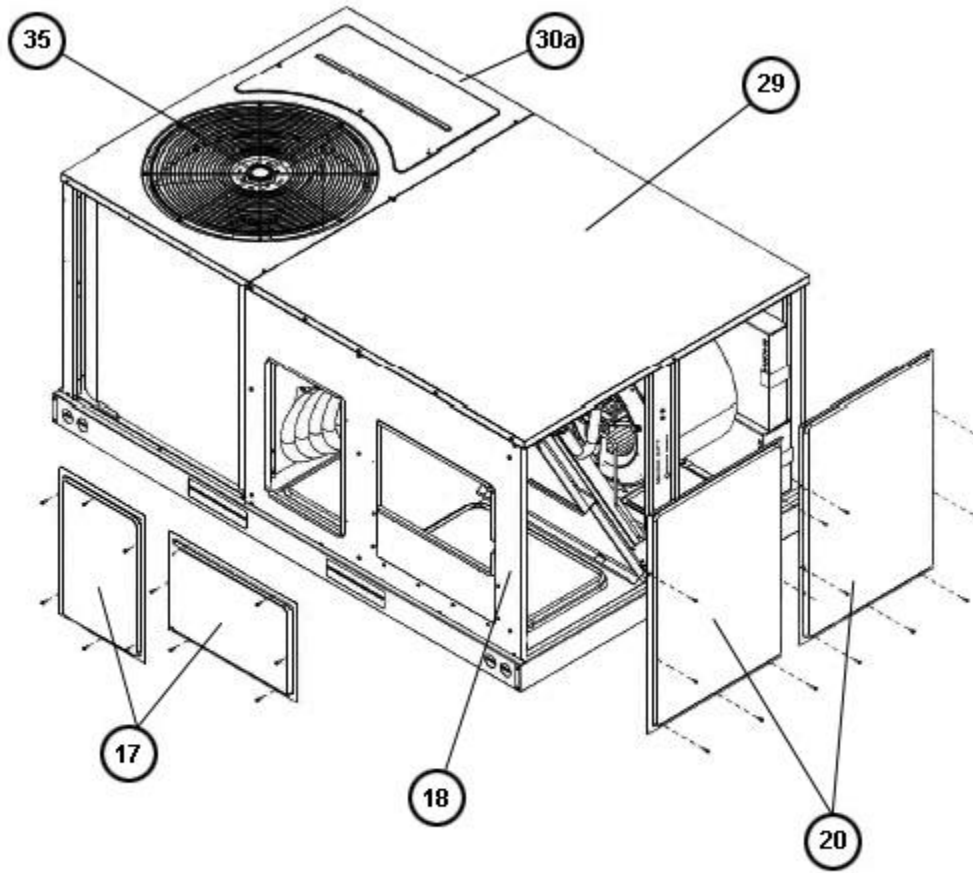
Exploded View



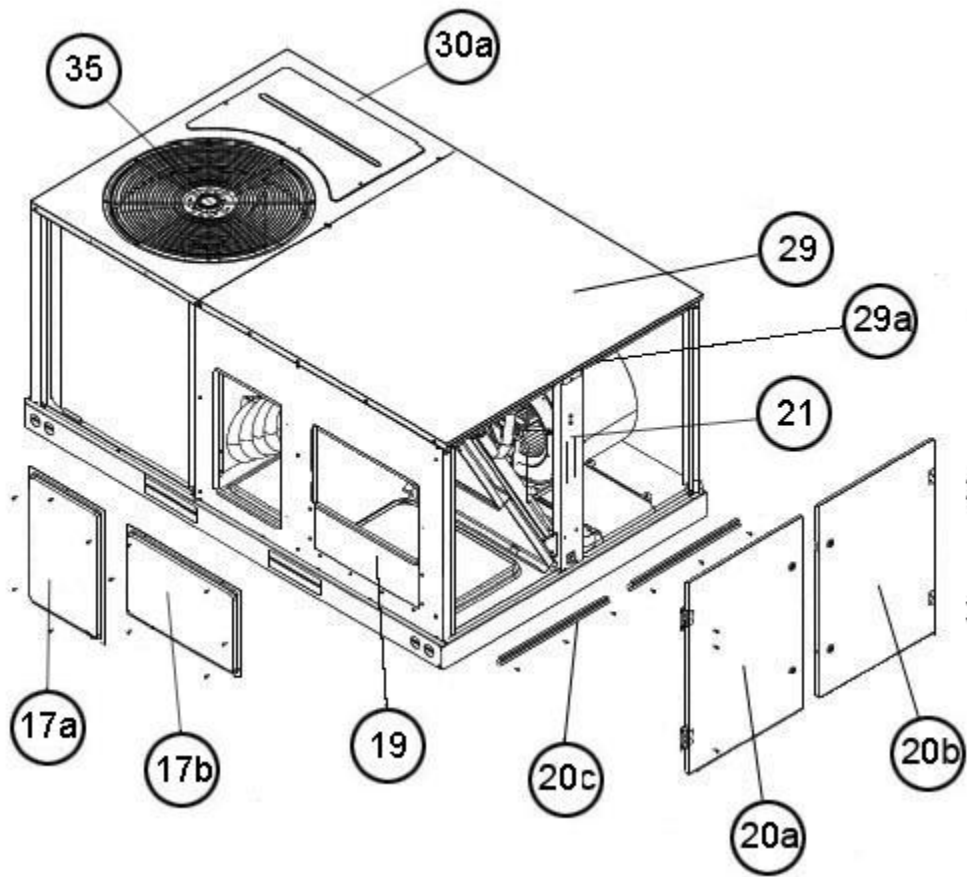
Top Panel View



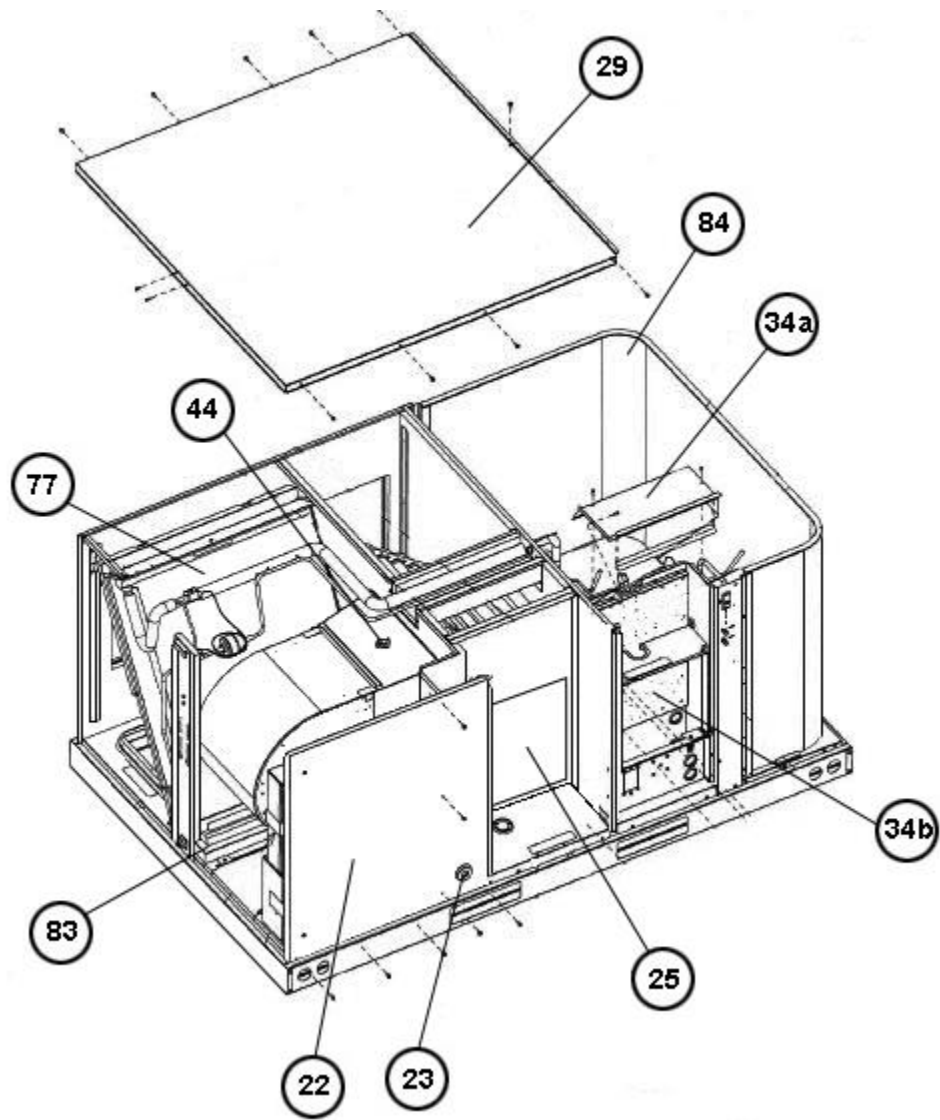
Top Panel View (Hinged Panels)



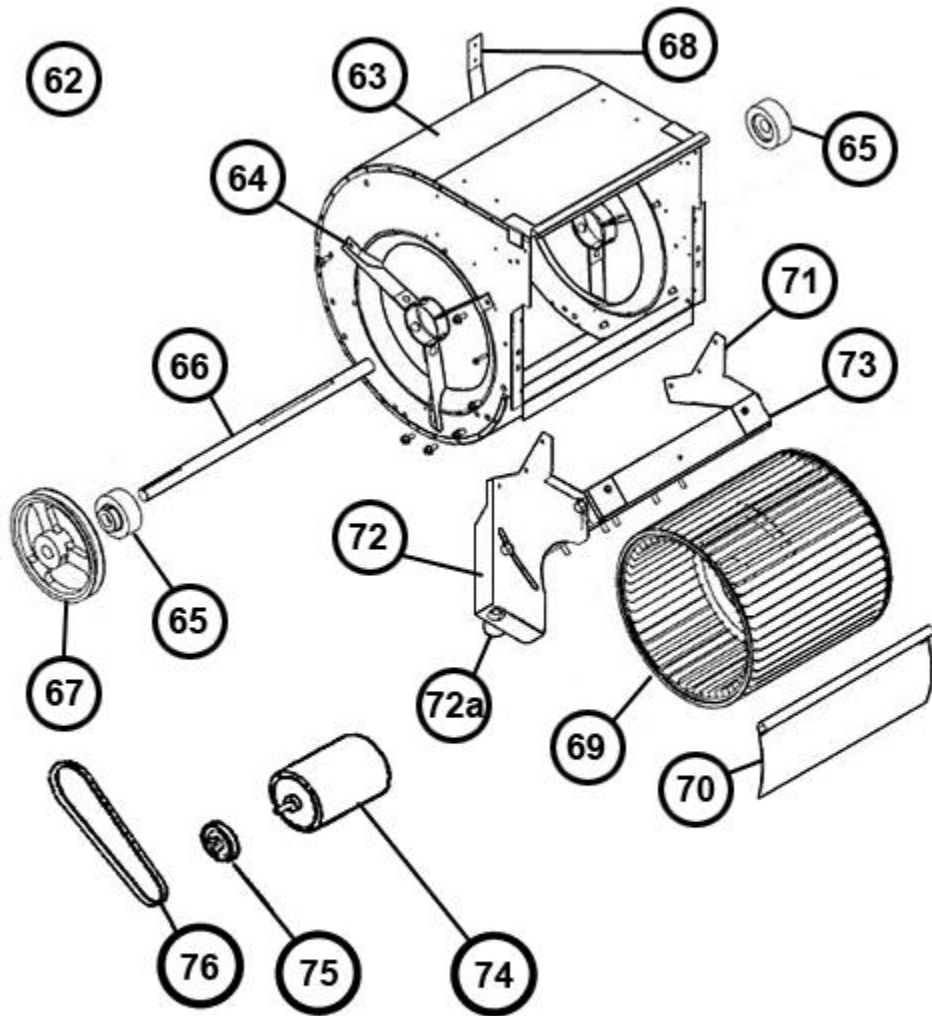
End Panel View



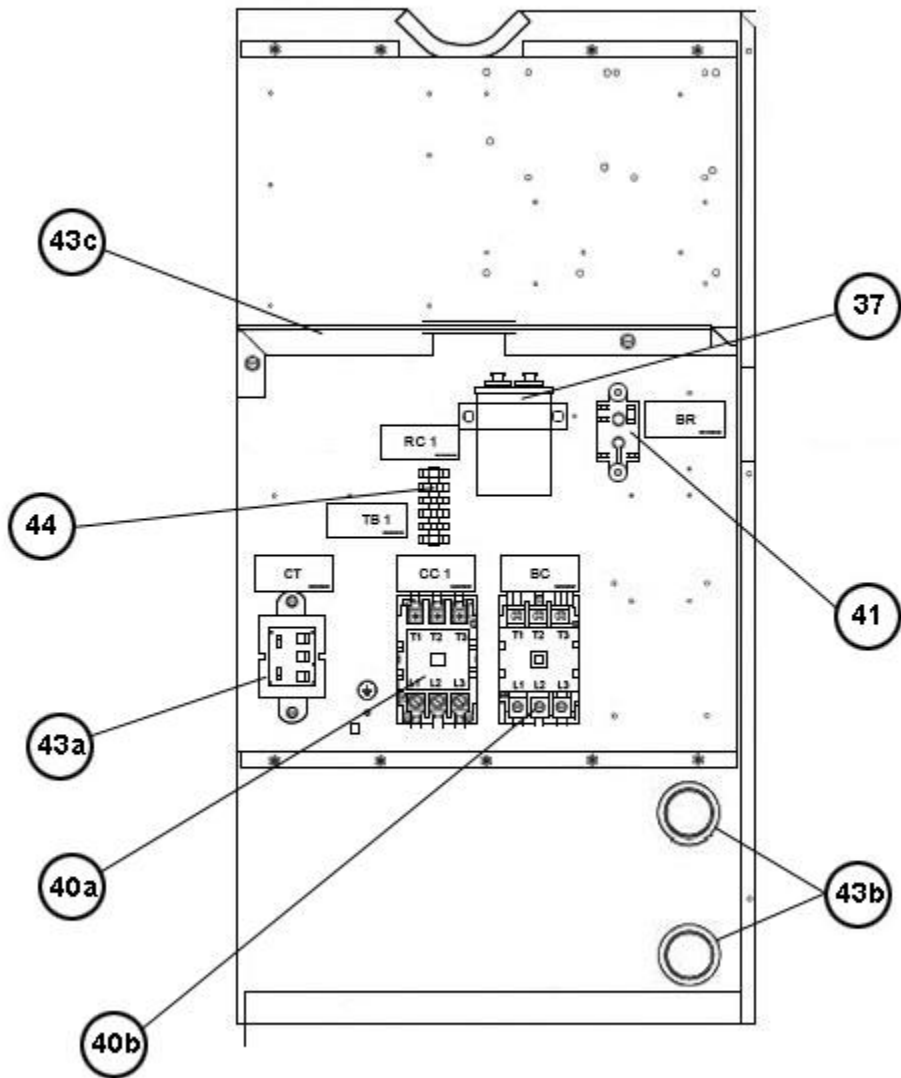
End Panel View (Hinged Panels)



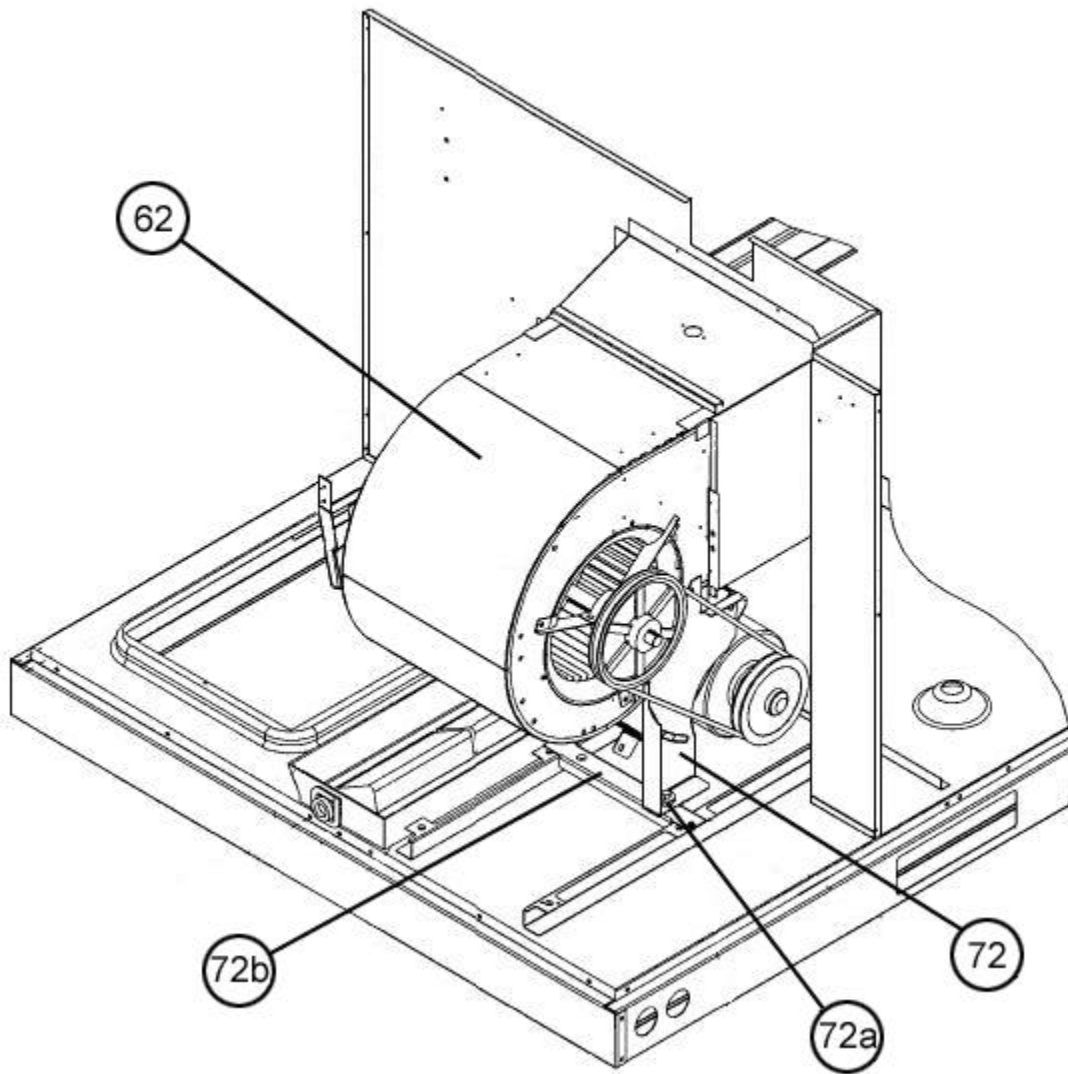
Top Interior



Blower Assembly - Belt Drive



Control Box



Blower Motor Mount Assembly - Belt Drive

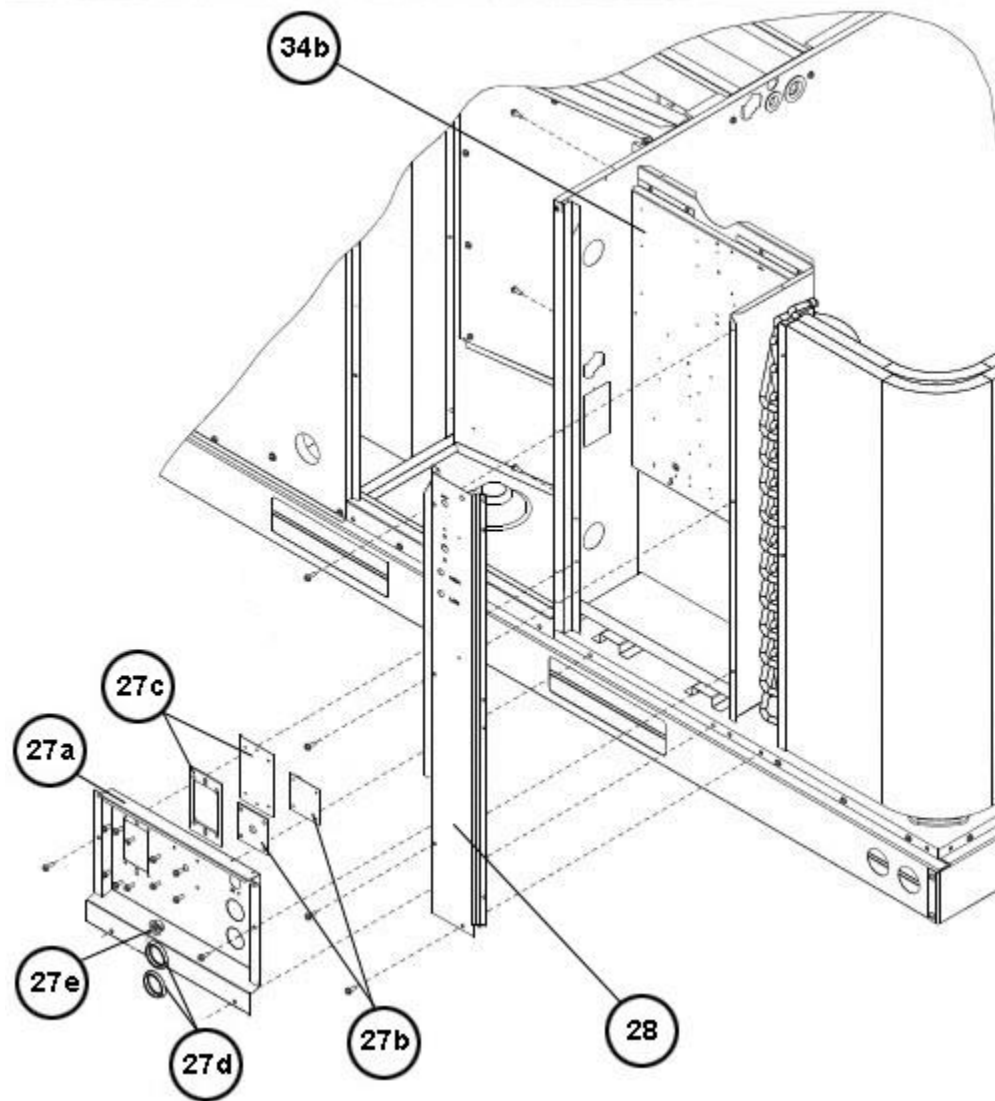
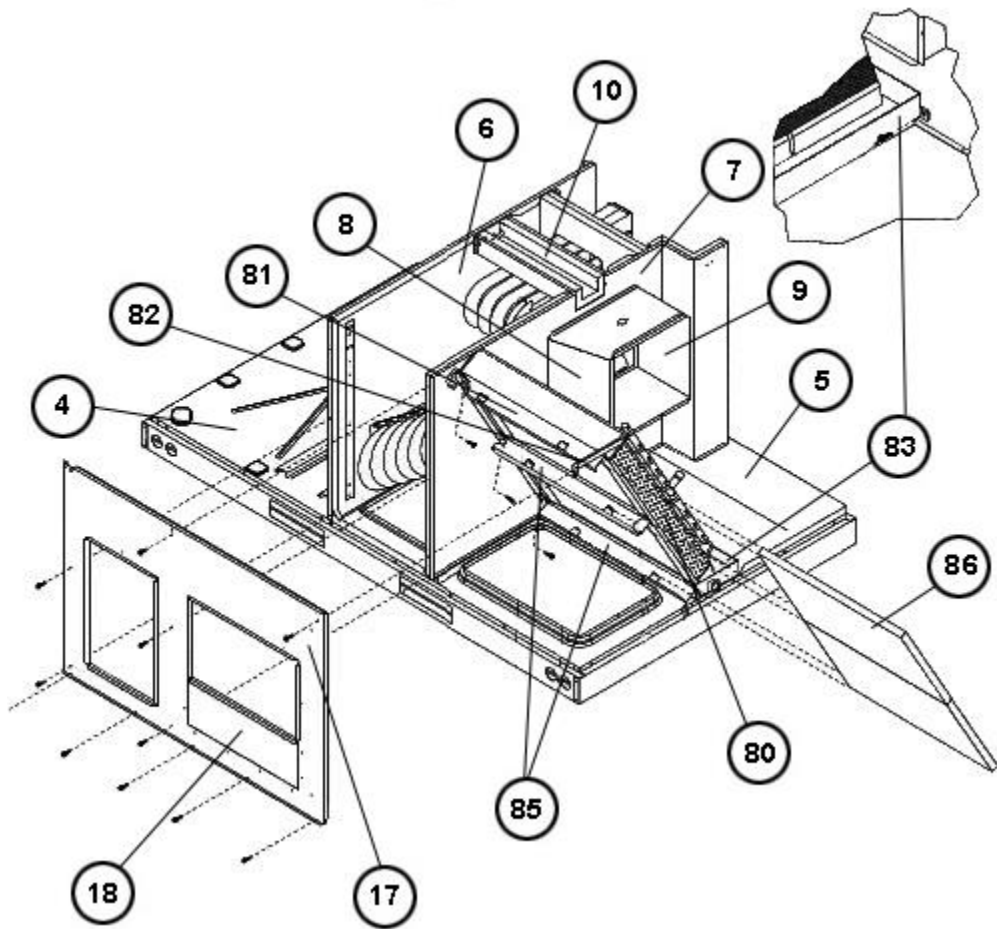
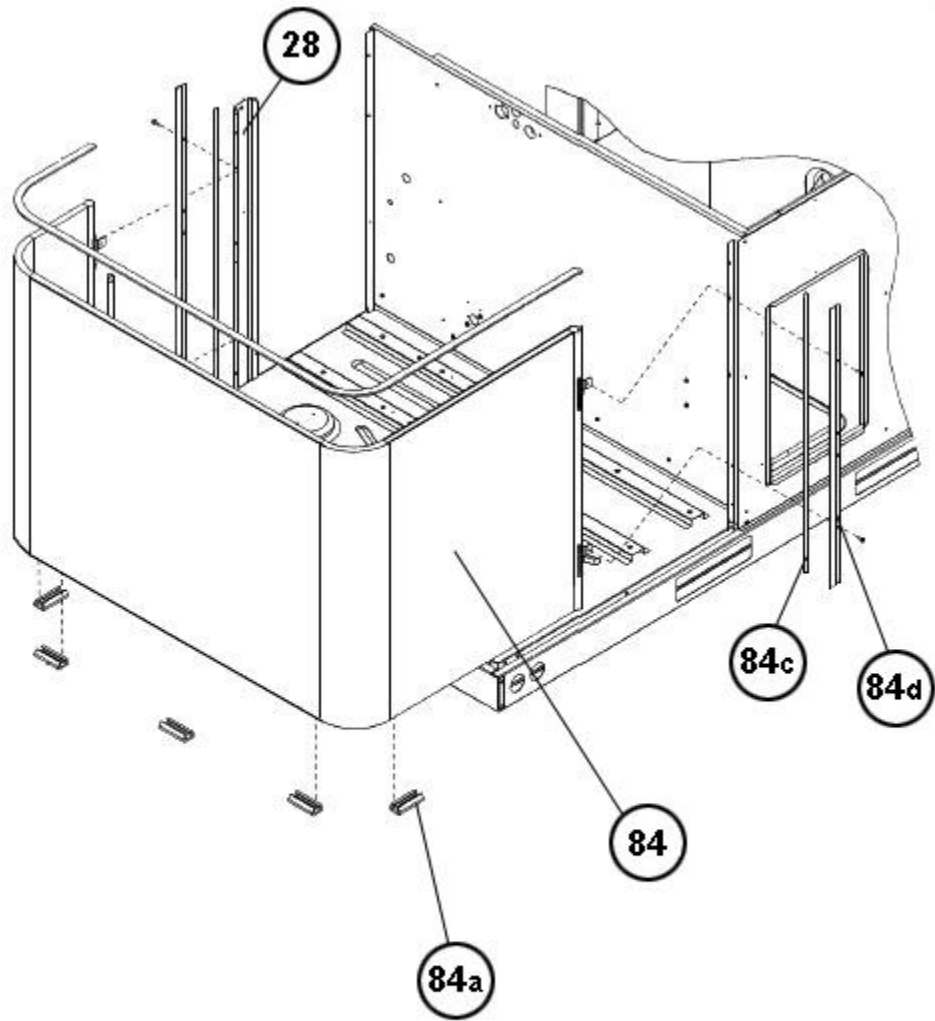


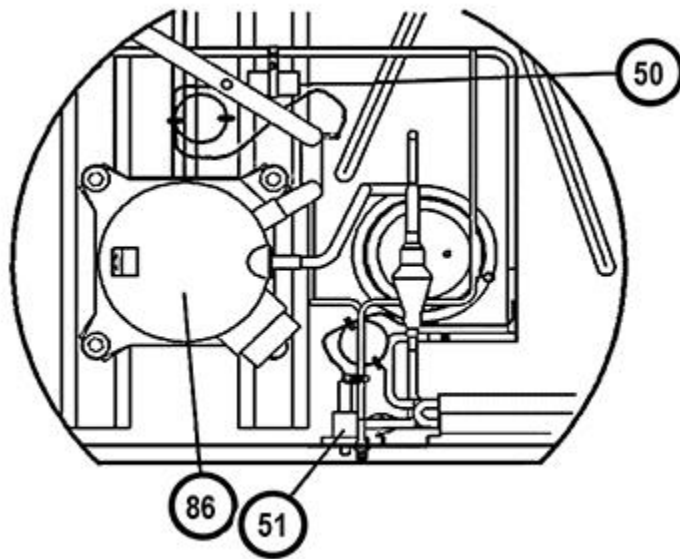
Plate Disconnect and Receptacle



Evaporator Coil Filter



Condenser and Coil Pads



Compressor - Refrigeration Group

# NOTES

Stk It is recommended that stock be maintained for this part.  
N/A Not Applicable

**DISCLAIMER:** This document is intended to provide general replacement parts information to aid qualified service personnel in the repair of these models. The complete Model and Serial Number of the unit under repair should be specified when selecting and ordering replacement parts. Specifications and illustrations are subject to change without notice. Document 92-42800-RLKN-B supersedes all previous parts lists for these models. See <http://www.rheempartslists.net/92-42800-RLKN-B> for the latest revision of this document. The manufacturer assumes no obligation for errors or omissions. Service personnel must verify the proper and safe operation of equipment after the replacement of any original components.