



RLKL-B

Parts List
04-June-2018



*This parts list is current as of the above revision date.
See <http://www.rheempartslists.net/92-42800-RLKL-B.pdf> for the current revision.*

Package Air Conditioners - Commercial

Table of Contents

Model Explanation	Page 3
Parts Numbers	
Panels - Miscellaneous (Granite-Steel Gray) 072	Page 4
Panels - Miscellaneous (Neutra Green) 072	Page 5
Panels - Miscellaneous (Granite-Steel Gray) 090-151 (1)	Page 6
Panels - Miscellaneous (Granite-Steel Gray) 090-151 (2)	Page 7
Panels - Miscellaneous (Neutra Green) 090-151 (1)	Page 8
Panels - Miscellaneous (Neutra Green) 090-151 (2)	Page 9
Panels - Miscellaneous (Granite-Steel Gray) 180-240 (1)	Page 10
Panels - Miscellaneous (Granite-Steel Gray) 180-240 (2)	Page 11
Panels - Miscellaneous (Neutra Green) 180-240 (1)	Page 12
Panels - Miscellaneous (Neutra Green) 180-240 (2)	Page 13
Electrical Group 072	Page 14
Fan Group 072	Page 14
Electrical Group 090-151 (1)	Page 15
Electrical Group 090-151 (2)	Page 16
Electrical Group 180-240 (1)	Page 17
Electrical Group 180-240 (2)	Page 18
Fan Group 090-151	Page 19
Fan Group 180-240	Page 20
Blower Group - Belt Drive 072	Page 21
Blower Group 090-151	Page 22
Blower Group 180-240	Page 23
Coil Parts 072	Page 24
Coil Parts 090-120	Page 25
Coil Parts 151	Page 26
Coil Parts 180-240	Page 27
Compressor Group 072-120	Page 28
Compressor Group 151	Page 29
Compressor Group 180-240	Page 30
Heater Kits 072	Page 31
Accessories 072	Page 31
Heater Kits 090-151	Page 32
Accessories 090-151	Page 33
Accessories 180-240	Page 34
Drawings/Photographs	
Exploded View 072	Page 35
Control Box 072	Page 36
Blower Assembly - Belt Drive 072	Page 37
Blower Motor Mount Assembly - Belt Drive 072	Page 38
Coil Group Cut-away View 072	Page 39
Evaporator Coil - Filter Parts 072	Page 39
Evaporator Coil Parts 072	Page 40
Compressor - Refrigeration Group 072	Page 41
Exploded View 090-151	Page 42
Exterior - Front 090-151	Page 43
Exterior - Back 090-151	Page 43
Filter-Coil Assembly 090-151	Page 44
Condenser Coil Assembly 090-151	Page 44
Front Panel Brackets 090-151	Page 45
Filter Frame Assembly 090-151	Page 46
Blower Assembly 090-151	Page 46
Control Box 090-151	Page 47
Low Voltage Shields 090-151	Page 48
Exterior - Front 180	Page 49
Exterior - Back 180	Page 49
Exterior - Front 240	Page 50
Exterior - Back 240	Page 50
Front Panel Brackets 180	Page 51
Front Panel Brackets 240	Page 51
Heat Compartment 180-240	Page 52
Condenser Bulkhead 180-240	Page 52
Base Pan Assembly 180-240	Page 53
Base Rail Assembly 180-240	Page 53
Control Box 180-240	Page 54
Condenser Bulkhead 180-240	Page 52
Condenser Coil 180	Page 55
Condenser Coil Airstop - 240	Page 56
Condenser Coil - 240	Page 57
Interior - Front 180	Page 58
Interior - Front 240	Page 58
Filter Frame - Low Voltage Shields 180-240	Page 59
Blower Assembly 180-240	Page 60
Notes/Disclaimer	Page 61

MODEL NUMBER EXPLANATION

R	L	K	L	-	B	090	C	L	000	AA	B
1	2	3	4		5	6	7	8	9	10	11

- | | | |
|---|---|--|
| <p>1 TRADE NAME</p> <p>2 L = PACKAGE AIR CONDITIONER
Commercial</p> <p>3 EFFICIENCY DESIGNATION</p> <p>4 DESIGN SERIES
L = R-410A</p> <p>5 TECHNICAL VARIATION</p> <p>6 COOLING CAPACITY (BTUH)
072 = 72,000
090 = 90,000
120 = 120,000
151 = 150,000
180 = 180,000
240 = 240,000</p> <p>7 ELECTRICAL DESIGNATION
C = 208-230/3/60
D = 460/3/60
Y = 575/3/60</p> | <p>8</p> <p>9</p> <p>10</p> <p>11</p> | <p>DRIVE PACKAGE
L = Belt Drive
M = Belt Drive - High Static
N = Belt Drive - RLKL-B090 Only</p> <p>ELECTRIC HEAT- (Resistance Heat)
000 = No Resistance Heat
006 = 6 kW Resistance Heat
010 = 10 kW Resistance Heat
015 = 15 kW Resistance Heat
020 = 20 kW Resistance Heat
024 = 24 kW Resistance Heat
030 = 30 kW Resistance Heat
040 = 40 kW Resistance Heat
050 = 50 kW Resistance Heat</p> <p>OPTION CODES
AA = No Options</p> <p>ECONOMIZER OPTIONS
A = No Economizer
B = Single Enthalpy Economizer
with Barometric Relief
C = 'B' with Smoke Detector</p> |
|---|---|--|

SERIAL NUMBER EXPLANATION

1234	F	50	08	00001
1	2	3	4	5

- | |
|---|
| <p>1 COMPRESSOR IDENTIFICATION NUMBER</p> <p>2 PRODUCTION LOCATION:</p> <p>3 WEEK OF PRODUCTION</p> <p>4 YEAR OF PRODUCTION</p> <p>5 PRODUCTION NUMBER</p> |
|---|

No.	Notes	MODEL TECHNICAL VARIATIONS COOLING CAPACITY	RLKL- B 072
PANELS, MISCELLANEOUS PARTS (Granite/Steel Gray, After F4411)			
1		Base Rail - Side (2)	AE-58900-02
2		Base Rail - Condenser End	AE-58901-01
3		Base Rail - Evaporator End	AE-58902-01
4		Outdoor Base Pan	AS-59051-01H
5		Indoor Base Pan	AS-58910-06
6		Condenser Bulkhead (Does not include Limit Baffle or Tube Support Angles)	AS-103276-02
7		Blower Bulkhead (Does not include Tube Support Angle, Blower Extension, or Insulation Retainer)	AS-103385-01
8		Blower Extension - Front	AE-58928-01
9		Blower Extension - Back	AE-58928-02
		Cover Plate (On the Blower Extension - Front to cover the Limit Control opening)	AE-76216-01
		Insulation Retainer	AE-59059-01
10		Wire Chase Assembly	AS-103291-01
11		Corner Post (2)	AE-58965-01
13		Louvered Panel	
14		Louvered Panel	
15		Louvered Panel	See Accessories
16a		Supply Cover Assembly	AS-58992-01HT
16b		Return Cover Assembly	AS-58992-03HT
17		Rear Panel (Includes Insulation, Filler Panel, and Stripping)	AS-58976-02H
18		Filler Panel - (Return Air Filler)	AS-58974-02H
19		Blower/Filter Access Panels (2)	AS-58990-01H
20		Post - Left End	AS-58973-01H
21		Front Panel Assembly	AS-59132-05H
22		Electric Heat Access Panel Assembly	AS-58987-04H
23		Control Box Access Panel	AS-103284-01H
25		Front Post	AS-103288-01H
26		Indoor Coil Top Panel	AS-58979-02H
27		Condenser Top Panel	AS-58981-01H
29		Wire Grille	95-101660-01
31		Control Box (w/o components)	AS-103281-01

No.	Notes	MODEL TECHNICAL VARIATIONS COOLING CAPACITY	RLKL- B 072
PANELS, MISCELLANEOUS PARTS (Neutra Green Panels, Before F4411)			
1		Base Rail - Side (2)	AE-58900-02
2		Base Rail - Condenser End	AE-58901-01
3		Base Rail - Evaporator End	AE-58902-01
4		Outdoor Base Pan	AS-59051-01A
5		Indoor Base Pan	AS-58910-06
6		Condenser Bulkhead (Does not include Limit Baffle or Tube Support Angles)	AS-103276-02
7		Blower Bulkhead (Does not include Tube Support Angle, Blower Extension, or Insulation Retainer)	AS-103385-01
8		Blower Extension - Front	AE-58928-01
9		Blower Extension - Back	AE-58928-02
		Cover Plate (On the Blower Extension - Front to cover the Limit Control opening)	AE-76216-01
		Insulation Retainer	AE-59059-01
10		Wire Chase Assembly	AS-103291-01
11		Corner Post (2)	AE-58965-01
13		Louvered Panel	
14		Louvered Panel	
15		Louvered Panel	See Accessories
16a		Return/Supply Cover Assembly	AS-58992-01A
16b		Return/Supply Cover Assembly	AS-58992-03A
17		Rear Panel (Includes Insulation, Filler Panel, and Stripping)	AS-58976-02A
18		Filler Panel - (Return Air Filler)	AS-58974-02A
19		Blower/Filter Access Panels (2)	AS-58990-01A
20		Post - Left End	AS-58973-01A
21		Front Panel Assembly	AS-59132-05A
22		Electric Heat Access Panel Assembly	AS-58987-04A
23		Control Box Access Panel	AS-103284-01A
25		Front Post	AS-103288-01A
26		Indoor Coil Top Panel	AS-58979-02A
27		Condenser Top Panel	AS-58981-01A
29		Wire Grille	95-101660-01
31		Control Box (w/o components)	AS-103281-01

No.	Notes	MODEL TECHNICAL VARIATION COOLING CAPACITY	RLKL- B 090	RLKL- B 120	RLKL- B 151
PANELS - RAILS, BASE PANS, INSIDE CABINET (Granite/Steel Gray Panels, After F4411)					
BASE RAILS:					
A		Base Rail - Front	AE-90575-15	AE-90575-15	AE-90575-15
B		Base Rail - Right	AE-90576-03	AE-90576-03	AE-90576-03
C		Base Rail - Rear	AE-90575-04	AE-90575-04	AE-90575-04
D		Base Rail - Left	AE-90576-04	AE-90576-04	AE-90576-04
BASE PANS:					
E		Outdoor Coil Base Pan	AS-90577-14H	AS-90577-15H	AS-90577-14H
F		Indoor Coil Base Pan	AS-90577-12	AS-90577-12	AS-90577-12
INSIDE CABINET:					
G		Entry Plate	AE-90614-02	AE-90614-02	AE-90614-02
H		Entry Plate	AE-90614-01	AE-90614-01	AE-90614-01
J		Heat Compartment Side	AE-90598-09	AE-90598-09	AE-90598-09
K		Blower Deck	AS-90592-13	AS-90592-13	AS-90592-13
L		Wireway	AE-90718-05	AE-90718-05	AE-90718-05
M		Condenser Bulkhead	AS-90609-31	AS-90609-28	AS-90609-23

No.	Notes	MODEL TECHNICAL VARIATION COOLING CAPACITY	RLKL- B 090	RLKL- B 120	RLKL- B 151
PANELS - FRONT (Granite/Steel Gray Panels, After F4411)					
1		Control Box Door Assembly - w/Gasket, Insulation	AS-102872-13H	AS-102872-13H	AS-102872-13H
2a		Bracket - Top Panel (Left)	AS-102859-16H	AS-102859-16H	AS-102859-16H
2b		Bracket - Top Panel (Center)	AS-102859-15H	AS-102859-15H	AS-102859-15H
2c		Post - Blower Section	AS-102682-12H	AS-102682-12H	AS-102682-12H
3a		Bracket - Bottom Panel (Left)	AS-102859-17H	AS-102859-17H	AS-102859-17H
3b		Bracket - Blower/Heater Compartment	AS-102859-14H	AS-102859-14H	AS-102859-14H
3c		Bracket - Bottom Panel (Right)	AS-102859-13H	AS-102859-13H	AS-102859-13H
4		Post Assembly - Indoor Coil Section	AS-90620-18H	AS-90620-18H	AS-90620-24H
5		Control Box Cover	AE-90713-02	AE-90713-02	AE-90713-02
6		Control Mounting Plate	AE-90712-06	AE-90712-06	AE-90712-06
7a		Low Voltage Shield (Before F3512) - Upper Straight	AE-90742-08	AE-90742-08	AE-90742-08
7a		Low Voltage Shield (After F3512) - Upper Angled	AE-90742-12	AE-90742-12	AE-90742-12
7b		Low Voltage Shield (Before F3512) - Lower	AE-90742-03	AE-90742-03	AE-90742-03
7b		Low Voltage Shield (After F3512) - Lower	AE-90742-11	AE-90742-11	AE-90742-11
7c		Low Voltage Shield - Middle Strip	AE-90742-09	AE-90742-09	AE-90742-09
8		Control Box Back Insulation Assembly	AS-90601-06	AS-90601-06	AS-90601-06
9		Mounting Bracket	AE-90779-02	AE-90779-02	AE-90779-02
10		Electric Heat Blockoff Plate Assembly (models with no heat)	AS-90720-02	AS-90720-02	AS-90720-02
11		Terminal Block	See Electrical Group		
12		Electric Heat Access Panel Assembly - w/Hinges, Gasket, Insulation	AS-102872-17H	AS-102872-17H	AS-102872-17H
13		Power Entry Plate Assembly	AS-90774-11H	AS-90774-11H	AS-90774-11H
14		Blower Access Panel Assembly - w/Gasket, Insulation	AS-102872-15H	AS-102872-15H	AS-102872-15H
15		High Pressure Guard (2)	N/A	N/A	N/A
16		Heat Mounting Frame Assembly	AS-90754-02	AS-90754-02	AS-90754-02
17		Condenser Coil Access Panel-Front	AS-90631-10H	AS-90631-11H	AS-90631-11H
18		Front Corner Post	AS-90701-05H	AS-90701-05H	AS-90701-05H

No.	Notes	MODEL TECHNICAL VARIATION COOLING CAPACITY	RLKL- B 090	RLKL- B 120	RLKL- B 151
PANELS - RIGHT, REAR AND LEFT SIDES (Granite/Steel Gray Panels, After F4411)					
RIGHT:					
19		Air Stop	N/A	N/A	N/A
20		Louver Panel Assembly	See Accessories		
REAR:					
21		Rear Corner Post	AS-90702-04H	AS-90702-04H	AS-90702-04H
22		Condenser Coil Access Panel-Rear	AS-90631-03H	AS-90631-12H	AS-90631-12H
23		Rear Panel	AS-90618-02H	AS-90618-02H	AS-90618-02H
24		Supply Cover	AS-90626-02H	AS-90626-02H	AS-90626-02H
25		Return Cover	AS-90628-02H	AS-90628-02H	AS-90628-02H
LEFT:					
26		Upper Left Panel	AS-90624-03H	AS-90624-03H	AS-90624-03H
27		Lower Left Panel	AS-90624-04H	AS-90624-04H	AS-90624-04H
28		Left Corner Panel	AS-90755-10H	AS-90755-10H	AS-90755-10H
29		Plate - Receptacle	AS-90756-02H	AS-90756-02H	AS-90756-02H
30		Plate - Disconnect	AS-90756-03H	AS-90756-03H	AS-90756-03H
31		Button Plug (2)	45-22980-06	45-22980-06	45-22980-06
32		Button Plug	45-22980-05	45-22980-05	45-22980-05
TOP:					
33		Top Panel Assembly	AS-90616-06H	AS-90616-06H	AS-90616-06H
34		Condenser Top Panel Assembly	AS-102872-25H	AS-102872-21H	AS-102872-21H
35		Venturi	AS-90632-03H (1)	AS-90632-03H (2)	AS-90632-03H (2)
36		Wire Grille	95-100906-09 (1)	95-100906-09 (2)	95-100906-09 (2)
43		Drain Pan - Removable	See Coil Group		

No.	Notes	MODEL TECHNICAL VARIATION COOLING CAPACITY	RLKL- B 090	RLKL- B 120	RLKL- B 151
PANELS - RAILS, BASE PANS, INSIDE CABINET (Neutra Green Panels, Before F4411)					
BASE RAILS:					
A		Base Rail - Front	AE-90575-15	AE-90575-15	AE-90575-15
B		Base Rail - Right	AE-90576-03	AE-90576-03	AE-90576-03
C		Base Rail - Rear	AE-90575-04	AE-90575-04	AE-90575-04
D		Base Rail - Left	AE-90576-04	AE-90576-04	AE-90576-04
BASE PANS:					
E		Outdoor Coil Base Pan	AS-90577-14A	AS-90577-15A	AS-90577-14A
F		Indoor Coil Base Pan	AS-90577-12	AS-90577-12	AS-90577-12
INSIDE CABINET:					
G		Entry Plate	AE-90614-02	AE-90614-02	AE-90614-02
H		Entry Plate	AE-90614-01	AE-90614-01	AE-90614-01
J		Heat Compartment Side	AE-90598-09	AE-90598-09	AE-90598-09
K		Blower Deck	AS-90592-13	AS-90592-13	AS-90592-13
L		Wireway	AE-90718-05	AE-90718-05	AE-90718-05
M		Condenser Bulkhead	AS-90609-31	AS-90609-28	AS-90609-23

No.	Notes	MODEL TECHNICAL VARIATION COOLING CAPACITY	RLKL- B 090	RLKL- B 120	RLKL- B 151
PANELS - FRONT (Neutra Green Panels, Before F4411)					
1		Control Box Door Assembly - w/Gasket, Insulation	AS-102872-13A	AS-102872-13A	AS-102872-13A
2a		Bracket - Top Panel (Left)	AS-102859-16A	AS-102859-16A	AS-102859-16A
2b		Bracket - Top Panel (Center)	AS-102859-15A	AS-102859-15A	AS-102859-15A
2c		Post - Blower Section	AS-102682-12A	AS-102682-12A	AS-102682-12A
3a		Bracket - Bottom Panel (Left)	AS-102859-17A	AS-102859-17A	AS-102859-17A
3b		Bracket - Blower/Heater Compartment	AS-102859-14A	AS-102859-14A	AS-102859-14A
3c		Bracket - Bottom Panel (Right)	AS-102859-13A	AS-102859-13A	AS-102859-13A
4		Post Assembly - Indoor Coil Section	AS-90620-18A	AS-90620-18A	AS-90620-17A
5		Control Box Cover	AE-90713-02	AE-90713-02	AE-90713-02
6		Control Mounting Plate	AE-90712-06	AE-90712-06	AE-90712-06
7a		Low Voltage Shield (Before F3512) - Upper Straight	AE-90742-08	AE-90742-08	AE-90742-08
7b		Low Voltage Shield (Before F3512) - Lower	AE-90742-03	AE-90742-03	AE-90742-03
7c		Low Voltage Shield - Middle Strip	AE-90742-09	AE-90742-09	AE-90742-09
8		Control Box Back Insulation Assembly	AS-90601-06	AS-90601-06	AS-90601-06
9		Mounting Bracket	AE-90779-02	AE-90779-02	AE-90779-02
10		Electric Heat Blockoff Plate Assembly (models with no heat)	AS-90720-02	AS-90720-02	AS-90720-02
11		Terminal Block	See Electrical Group		
12		Electric Heat Access Panel Assembly - w/Hinges, Gasket, Insulation	AS-102872-17A	AS-102872-17A	AS-102872-17A
13		Power Entry Plate Assembly	AS-90774-11A	AS-90774-11A	AS-90774-11A
14		Blower Access Panel Assembly - w/Gasket, Insulation	AS-102872-15A	AS-102872-15A	AS-102872-15A
15		High Pressure Guard (2)	N/A	N/A	N/A
16		Heat Mounting Frame Assembly	AS-90754-02	AS-90754-02	AS-90754-02
17		Condenser Coil Access Panel-Front	AS-90631-10A	AS-90631-11A	AS-90631-11A
18		Front Corner Post	AS-90701-05A	AS-90701-05A	AS-90701-05A

No.	Notes	MODEL TECHNICAL VARIATION COOLING CAPACITY	RLKL- B 090	RLKL- B 120	RLKL- B 151
PANELS - RIGHT, REAR AND LEFT SIDES (Neutra Green Panels, Before F4411)					
RIGHT:					
19		Air Stop	N/A	N/A	N/A
20		Louver Panel Assembly	See Accessories		
REAR:					
21		Rear Corner Post	AS-90702-04A	AS-90702-04A	AS-90702-04A
22		Condenser Coil Access Panel-Rear	AS-90631-03A	AS-90631-12A	AS-90631-12A
23		Rear Panel	AS-90618-02A	AS-90618-02A	AS-90618-02A
24		Supply Cover	AS-90626-02A	AS-90626-02A	AS-90626-02A
25		Return Cover	AS-90628-02A	AS-90628-02A	AS-90628-02A
LEFT:					
26		Upper Left Panel	AS-90624-03A	AS-90624-03A	AS-90624-03A
27		Lower Left Panel	AS-90624-04A	AS-90624-04A	AS-90624-04A
28		Left Corner Panel	AS-90755-10A	AS-90755-10A	AS-90755-10A
29		Plate - Receptacle	AS-90756-02A	AS-90756-02A	AS-90756-02A
30		Plate - Disconnect	AS-90756-03A	AS-90756-03A	AS-90756-03A
31		Button Plug (2)	45-22980-06	45-22980-06	45-22980-06
32		Button Plug	45-22980-05	45-22980-05	45-22980-05
TOP:					
33		Top Panel Assembly	AS-90616-06A	AS-90616-06A	AS-90616-06A
34		Condenser Top Panel Assembly	AS-102872-25A	AS-102872-21A	AS-102872-21A
35		Venturi	AS-90632-03A (1)	AS-90632-03A (2)	AS-90632-03A (2)
36		Wire Grille	95-100906-09 (1)	95-100906-09 (2)	95-100906-09 (2)
43		Drain Pan - Removable	See Coil Group		

No.	Notes	MODEL TECHNICAL VARIATION COOLING CAPACITY	RLKL- B 180	RLKL- B 240
PANELS - RAILS, BASE PANS, INSIDE CABINET (Granite/Steel Gray Panels, After F4411)				
BASE RAILS:				
A		Front	AS-90827-03	AS-90827-03
B		Right	AE-90576-06	AE-90576-06
C		Rear	AS-90827-04	AS-90827-04
D		Left	AE-90576-05	AE-90576-05
BASE PANS:				
E		Outdoor Base Pan	AS-90583-17H	AS-90583-16H
F		Indoor Coil Base Pan - Return Air	AS-90577-09	AS-90577-09
G		Indoor Coil Base Pan - Supply Air	AS-90577-10	AS-90577-10
INSIDE CABINET PANEL/PIECES:				
H 1		Entry Plate	AE-90614-01	AE-90614-01
H 2		Entry Plate - Rooftop	AE-90614-01	AE-90614-01
J		Heat Compartment Side	AE-90598-08	AE-90598-08
K		Blower Deck Assembly	AS-90592-11	AS-90592-11
L		Wireway	AE-90718-04	AE-90718-04
M		Condenser Bulkhead (includes insulation)	AS-90609-17	AS-90609-33
O		Bulkhead Support	AE-102725-01	AE-102725-01
P		Primary Drain Pan	AS-103030-02	AS-103030-02
		Air Stop - Outdoor Coil- Front	AE-90706-21	AE-90706-21
		Air Stop - Outdoor Coil- Rear	AE-90706-20	AE-90706-20
U		Coil Support Top	N/A	AE-102700-07
V		Angle - Tube Support (2)	N/A	N/A

No.	Notes	MODEL TECHNICAL VARIATION COOLING CAPACITY	RLKL- B 180	RLKL- B 240
PANELS - FRONT AND RIGHT SIDES (Granite/Steel Gray Panels, After F4411)				
1		Control Box Door Assembly - w/Hinges, Gasket, Insulation	AS-102872-03H	AS-102872-03H
2a		Bracket - Top Panel (Left)	AS-102859-01H	AS-102859-01H
2b		Bracket - Top Panel (Center)	AS-102969-01H	AS-102969-01H
2c		Post - Blower Section	AS-102682-21H	AS-102682-21H
3a		Bracket - Bottom Panel (Left)	AS-102859-02H	AS-102859-02H
3b		Bracket - Blower/Heater Compartment	AS-102859-11H	AS-102859-11H
3c		Bracket - Bottom Panel (Right)	AS-102859-12H	AS-102859-12H
4		Post Assembly - Indoor Coil Section	AS-90620-15H	AS-90620-15H
5		Control Box Cover	AE-90713-05	AE-90713-05
6		Control Mounting Panel	AE-90712-05	AE-90712-05
7a		Low Voltage Shield - Control Box (Upper Right)	AE-90742-07	AE-90742-07
7b		Low Voltage Shield - Control Box (Lower Left)	AE-90742-06	AE-90742-06
7c		Thermostat Chase Cover	AE-102722-01	AE-102722-01
8		Control Box Back	AS-90601-05	AS-90601-05
9		Mounting Bracket	AE-90779-02	AE-90779-02
12		Electric Heat Access Panel Assembly - w/Hinges, Gasket	AS-102872-05H	AS-102872-05H
		Electric Heat Blockoff Plate Assembly (models with no heat)	AS-90720-03	AS-90720-03
13		Power Entry Plate Assembly	AS-90774-13H	AS-90774-13H
14		Blower Access Panel Assembly - w/Hinges, Gasket, Insulation	AS-102872-01H	AS-102872-01H
16		Mounting Frame - Heat Exchanger Frame	AS-90754-04	AS-90754-04
17		Condenser Coil Access Panel - Front	AS-90734-16H	AS-90734-14H
38		Post - Outdoor Coil (Front)	See Coil Group	
39		Post - Outdoor Coil (Rear)	See Coil Group	

No.	Notes	MODEL TECHNICAL VARIATION COOLING CAPACITY	RLKL- B 180	RLKL- B 240
PANELS - REAR, LEFT, AND TOP (Granite/Steel Gray Panels, After F4411)				
		REAR:		
22		Condenser Coil Access Panel-Rear	AS-90734-17H	AS-90734-15H
23		Rear Panel - Right	AS-90618-10H	AS-90618-10H
24		Supply Cover	AS-90628-03H	AS-90628-03H
25		Return Cover	AS-90628-04H	AS-90628-04H
		LEFT:		
26		Upper Left Panel	AS-90624-09H	AS-90624-09H
27		Lower Left Panel	AS-90624-08H	AS-90624-08H
28		Left Corner Panel Assembly	AS-90755-05H	AS-90755-05H
		Bracket - Left Corner Panel Assembly (2)	AE-90779-01	AE-90779-01
		Gasket for receptacle plate	68-42514-08	68-42514-08
		Gasket for disconnect plate	68-42514-09	68-42514-09
29		Plate - Install inside Panel-Receptacle	AS-90756-02H	AS-90756-02H
30		Plate - Install inside Panel-Disconnect	AS-90756-03H	AS-90756-03H
31		Button Plug (3)	45-42558-01	45-42558-01
32		Star Bushing (3)	45-18515-01	45-18515-01
		TOP:		
33a		Top Panel Assembly - Right	AS-90616-04H	AS-90616-04H
33b		Top Panel Assembly - Left	AS-90616-05H	AS-90616-05H
34		Top Panel	AS-90703-11H	AS-90703-11H
35		Venturi	AS-90632-03H (3)	AS-90632-03H (6)
36		Wire Grille	95-100906-09 (3)	95-100906-09 (6)
43		Drain Pan - Removable	See Coil Group	

No.	Notes	MODEL TECHNICAL VARIATION COOLING CAPACITY	RLKL- B 180	RLKL- B 240
PANELS - RAILS, BASE PANS, INSIDE CABINET (Neutra Green Panels, Before F4411)				
BASE RAILS:				
A		Front	AS-90827-03	AS-90827-03
B		Right	AE-90576-06	AE-90576-06
C		Rear	AS-90827-04	AS-90827-04
D		Left	AE-90576-05	AE-90576-05
BASE PANS:				
E		Outdoor Base Pan	AS-90583-17A	AS-90583-16A
F		Indoor Coil Base Pan - Return Air	AS-90577-09	AS-90577-09
G		Indoor Coil Base Pan - Supply Air	AS-90577-10	AS-90577-10
INSIDE CABINET PANEL/PIECES:				
H 1		Entry Plate	AE-90614-01	AE-90614-01
H 2		Entry Plate - Rooftop	AE-90614-01	AE-90614-01
J		Heat Compartment Side	AE-90598-08	AE-90598-08
K		Blower Deck Assembly	AS-90592-11	AS-90592-11
L		Wireway	AE-90718-04	AE-90718-04
M		Condenser Bulkhead (includes insulation)	AS-90609-17	AS-90609-33
O		Bulkhead Support	AE-102725-01	AE-102725-01
P		Primary Drain Pan	AS-103030-02	AS-103030-02
		Air Stop - Outdoor Coil- Front	AE-90706-21	AE-90706-21
		Air Stop - Outdoor Coil- Rear	AE-90706-20	AE-90706-20
U		Coil Support Top	N/A	AE-102700-07
V		Angle - Tube Support (2)	N/A	N/A

No.	Notes	MODEL TECHNICAL VARIATION COOLING CAPACITY	RLKL- B 180	RLKL- B 300
PANELS - FRONT AND RIGHT SIDES (Neutra Green Panels, Before F4411)				
1		Control Box Door Assembly - w/Hinges, Gasket, Insulation	AS-102872-03A	AS-102872-03A
2a		Bracket - Top Panel (Left)	AS-102859-01A	AS-102859-01A
2b		Bracket - Top Panel (Center)	AS-102969-01A	AS-102969-01A
2c		Post - Blower Section	AS-102682-21A	AS-102682-21A
3a		Bracket - Bottom Panel (Left)	AS-102859-02A	AS-102859-02A
3b		Bracket - Blower/Heater Compartment	AS-102859-11A	AS-102859-11A
3c		Bracket - Bottom Panel (Right)	AS-102859-12A	AS-102859-12A
4		Post Assembly - Indoor Coil Section	AS-90620-15A	AS-90620-15A
5		Control Box Cover	AE-90713-05	AE-90713-05
6		Control Mounting Panel	AE-90712-05	AE-90712-05
7a		Low Voltage Shield - Control Box (Upper Right)	AE-90742-07	AE-90742-07
7b		Low Voltage Shield - Control Box (Lower Left)	AE-90742-06	AE-90742-06
7c		Thermostat Chase Cover	AE-102722-01	AE-102722-01
8		Control Box Back	AS-90601-05	AS-90601-05
9		Mounting Bracket	AE-90779-02	AE-90779-02
12		Electric Heat Access Panel Assembly - w/Hinges, Gasket	AS-102872-05A	AS-102872-05A
		Electric Heat Blockoff Plate Assembly (models with no heat)	AS-90720-03	AS-90720-03
13		Power Entry Plate Assembly	AS-90774-13A	AS-90774-13A
14		Blower Access Panel Assembly - w/Hinges, Gasket, Insulation	AS-102872-01A	AS-102872-01A
16		Mounting Frame - Heat Exchanger Frame	AS-90754-04	AS-90754-04
17		Condenser Coil Access Panel - Front	AS-90734-16A	AS-90734-14A
38		Post - Outdoor Coil (Front)	See Coil Group	
39		Post - Outdoor Coil (Rear)	See Coil Group	

No.	Notes	MODEL TECHNICAL VARIATION COOLING CAPACITY	RLKL- B 180	RLKL- B 240
PANELS - REAR, LEFT, AND TOP (Neutra Green Panels, Before F4411)				
REAR:				
22		Condenser Coil Access Panel-Rear	AS-90734-17A	AS-90734-15A
23		Rear Panel - Right	AS-90618-10A	AS-90618-10A
24		Supply Cover	AS-90628-03A	AS-90628-03A
25		Return Cover	AS-90628-04A	AS-90628-04A
LEFT:				
26		Upper Left Panel	AS-90624-09A	AS-90624-09A
27		Lower Left Panel	AS-90624-08A	AS-90624-08A
28		Left Corner Panel Assembly	AS-90755-05A	AS-90755-05A
		Bracket - Left Corner Panel Assembly (2)	AE-90779-01	AE-90779-01
		Gasket for receptacle plate	68-42514-08	68-42514-08
		Gasket for disconnect plate	68-42514-09	68-42514-09
29		Plate - Install inside Panel-Receptacle	AS-90756-02A	AS-90756-02A
30		Plate - Install inside Panel-Disconnect	AS-90756-03A	AS-90756-03A
31		Button Plug (3)	45-42558-01	45-42558-01
32		Star Bushing (3)	45-18515-01	45-18515-01
TOP:				
33a		Top Panel Assembly - Right	AS-90616-04A	AS-90616-04A
33b		Top Panel Assembly - Left	AS-90616-05A	AS-90616-05A
34		Top Panel	AS-90703-11A	AS-90703-11A
35		Venturi	AS-90632-03A (3)	AS-90632-03A (6)
36		Wire Grille	95-100906-09 (3)	95-100906-09 (6)
43		Drain Pan - Removable	See Coil Group	

No.	Notes	MODEL TECHNICAL VARIATION COOLING CAPACITY ELECTRICAL DESIGNATION	RLKL- B 072 C	RLKL- B 072 D	RLKL- B 072 Y
ELECTRIC GROUP					
CONTROL BOX COMPONENTS:					
33		Capacitor - Fan	See Fan Group		
35	Stk	Blower Relay	42-21571-08	42-21571-08	42-21571-08
37	Stk	Blower Contactor	42-22464-01	42-22464-01	42-22464-01
		Compressor Time Delay Relay	See Accessories		
39	Stk	Compressor Contactor	42-22464-01	42-22464-01	42-22464-01
40	Stk	Transformer	46-103324-04	46-103324-02	46-103324-03
41		Terminal Block (Strip)	45-23591-01	45-23591-01	45-23591-01
MISCELLANEOUS:					
		Low Ambient Control	See Accessories		
91		Low Pressure Control	47-102240-03	47-102240-03	47-102240-03
92		High Pressure Control	47-23699-05	47-23699-05	47-23699-05
WIRING HARNESES:					
		Wiring Harness - Twist Loc (6 pin to 5 strip leads, 3 strip leads to 3 strip leads)	45-102819-01	45-102819-01	45-102819-01
		Wiring Harness - Economizer (9 pin)	45-42522-117	45-42522-117	45-42522-117
		Wiring Harness - Economizer (12 pin)	45-42522-109	45-42522-109	45-42522-109
		Bypass Plug - Economizer 12 Pin	AS-61997-55	AS-61997-55	AS-61997-55

No.	Notes	MODEL TECHNICAL VARIATION COOLING CAPACITY ELECTRICAL DESIGNATION	RLKL- B 072 C	RLKL- B 072 D	RLKL- B 072 Y
FAN GROUP					
32	Stk	Fan Motor	51-100998-13	51-100998-12	51-100998-28
33	Stk	Capacitor - Fan/Compressor	43-100496-12	43-100496-12	43-100496-11
34	Stk	Fan Blade	70-42484-01	70-42484-01	70-42484-01

No.	Notes	MODEL TECHNICAL VARIATION COOLING CAPACITY ELECTRICAL DESIGNATION	RLKL- B 090 C	RLKL- B 120 C	RLKL- B 151 C
ELECTRIC GROUP					
11		Terminal Block	45-41669-01	45-41669-01	45-41669-01
CONTROL BOX COMPONENTS:					
57	Stk	Transformer - Control	46-42515-04	46-42515-04	46-42515-04
58a		Double Row Terminal Block	45-42548-02	45-42548-02	45-42548-02
58b		Ground Lug	45-19000-02	45-19000-02	45-19000-02
59	Stk	Contactator - Blower	42-102664-08	42-102664-08	42-102664-08
60		Capacitor - Fan Motor		See Fan Group	
		Capacitor Strap	AE-50892-01	AE-50892-01	AE-50892-01
61		Control Board	47-102884-01	47-102884-01	47-102884-01
		Pressure Control Board - On or after F4112	47-104319-02	47-104319-02	47-104319-02
62	Stk	Compressor Contactator	42-102664-08	42-102664-19	42-102664-08
MISCELLANEOUS:					
		High Pressure Control		See Coil Group	
		Low Pressure Control		See Coil Group	
WIRING HARNESES:					
		Wiring Harness - Motor #1		See Fan Group	
		Wiring Harness - Motor #2		See Fan Group	
		Wiring Harness - Twist-Loc 12 Pin to 9 Pin	45-102706-05	45-102706-05	45-102706-05
		Plug Harness - Compressor		See Compressor Group	
		Wirng Harness - Main Power	45-42522-09	45-42522-09	45-42522-09
		Bypass Plug - Economizer 12 Pin	AS-61997-55	AS-61997-55	AS-61997-55
		Wiring Harness - 6 Pin to Heater Kit	45-102706-09	45-102706-09	45-102706-09
		High/Low Pressure Control Assembly (Includes both controls and Wiring Harness)		See Coil Group	

No.	Notes	MODEL TECHNICAL VARIATION COOLING CAPACITY ELECTRICAL DESIGNATION	RLKL- B 090 D	RLKL- B 120 D	RLKL- B 151 D
ELECTRIC GROUP					
11		Terminal Block	45-41669-01	45-41669-01	45-41669-01
CONTROL BOX COMPONENTS:					
57	Stk	Transformer - Control	46-42515-05	46-42515-05	46-42515-05
58a		Double Row Terminal Block	45-42548-02	45-42548-02	45-42548-02
58b		Ground Lug	45-19000-02	45-19000-02	45-19000-02
59	Stk	Contactator - Blower	42-102664-08	42-102664-08	42-102664-08
60		Capacitor - Fan Motor		See Fan Group	
		Capacitor Strap	AE-50892-01	AE-50892-01	AE-50892-01
61		Control Board	47-102884-01	47-102884-01	47-102884-01
		Pressure Control Board - On or after F4112	47-104319-02	47-104319-02	47-104319-02
62	Stk	Compressor Contactator	42-102664-08	42-102664-19	42-102664-08
MISCELLANEOUS:					
		High Pressure Control		See Coil Group	
		Low Pressure Control		See Coil Group	
WIRING HARNESES:					
		Wiring Harness - Motor #1		See Fan Group	
		Wiring Harness - Motor #2		See Fan Group	
		Wiring Harness - Twist-Loc 12 Pin to 9 Pin	45-102706-05	45-102706-05	45-102706-05
		Plug Harness - Compressor		See Compressor Group	
		Wirng Harness - Main Power	45-42522-09	45-42522-09	45-42522-09
		Bypass Plug - Economizer 12 Pin	AS-61997-55	AS-61997-55	AS-61997-55
		Wiring Harness - 6 Pin to Heater Kit	45-102706-09	45-102706-09	45-102706-09
		High/Low Pressure Control Assembly (Includes both controls and Wiring Harness)		See Coil Group	

No.	Notes	MODEL TECHNICAL VARIATION COOLING CAPACITY ELECTRICAL DESIGNATION	RLKL- B 090 Y	RLKL- B 120 Y	RLKL- B 151 Y
ELECTRIC GROUP					
11		Terminal Block	45-41669-01	45-41669-01	45-41669-01
CONTROL BOX COMPONENTS:					
57	Stk	Transformer - Control	46-42515-05	46-42515-05	46-42515-05
58a		Double Row Terminal Block	45-42548-02	45-42548-02	45-42548-02
58b		Ground Lug	45-19000-02	45-19000-02	45-19000-02
59	Stk	Contactora - Blower	42-102664-08	42-102664-08	42-102664-08
60		Capacitor - Fan Motor		See Fan Group	
		Capacitor Strap	AE-50892-01	AE-50892-01	AE-50892-01
61		Control Board	47-102884-01	47-102884-01	47-102884-01
		Pressure Control Board - On or after F4112	47-104319-02	47-104319-02	47-104319-02
62	Stk	Compressor Contactor	42-102664-08	42-102664-19	42-102664-08
MISCELLANEOUS:					
		High Pressure Control		See Coil Group	
		Low Pressure Control		See Coil Group	
WIRING HARNESES:					
		Wiring Harness - Motor #1		See Fan Group	
		Wiring Harness - Motor #2		See Fan Group	
		Wiring Harness - Twist-Loc 12 Pin to 9 Pin	45-102706-05	45-102706-05	45-102706-05
		Plug Harness - Compressor		See Compressor Group	
		Wirng Harness - Main Power	45-42522-09	45-42522-09	45-42522-09
		Bypass Plug - Economizer 12 Pin	AS-61997-55	AS-61997-55	AS-61997-55
		Wiring Harness - 6 Pin to Heater Kit	45-102706-09	45-102706-09	45-102706-09
		High/Low Pressure Control Assembly (Includes both controls and Wiring Harness)		See Coil Group	

No.	Notes	MODEL	RLKL-	RLKL-
		TECHNICAL VARIATION	B	B
		COOLING CAPACITY	180	240
		ELECTRICAL DESIGNATION	C	C
ELECTRIC GROUP				
CONTROL BOX COMPONENTS:				
57a	Stk	Transformer - Control	46-42515-04	46-42515-04
58a		Terminal Block - Double Row	45-42548-02	45-42548-02
58b		Terminal Block	45-21134-04	45-21134-04
58c		Ground Lug	45-19000-02	45-19000-02
59	Stk	Contactors - Blower	42-102664-08	42-102664-08
60		Run Capacitor	See Fan Group	
61		Control Board	47-102884-01	47-102884-01
		Pressure Control Board - On or after F4112	47-104319-02	47-104319-02
62a	Stk	Compressor Contactor	42-102664-12	42-22464-04
62b	Stk	Compressor Contactor	42-102664-12	42-22464-04
MISCELLANEOUS:				
		High Pressure Control	See Coil Group	
		Low Pressure Control	See Coil Group	
WIRING HARNESES:				
		Wiring Harness - Fan Motor #1	See Fan Group	
		Wiring Harness - Fan Motor #2	See Fan Group	
		Wiring Harness - Fan Motor #3	See Fan Group	
		Plug Harness - Compressor	See Compressor Group	
		Bypass Plug - Economizer 12 Pin	AS-61997-55	AS-61997-55
		Wiring Harness - Economizer (12 pin to 9 pin)	45-42522-89	45-42522-89
		Wiring Harness - Heater Control	45-42522-91	45-42522-91
		Wiring Harness - Main Power	45-42522-92	45-42522-92
		Wiring Harness - Pressure Control Board to Pressure Switches (On or after F4112)	45-42522-123	45-42522-123
		High/Low Pressure Control Assembly (Includes both controls and Wiring Harness)	See Coil Group	

No.	Notes	MODEL	RLKL-	RLKL-
		TECHNICAL VARIATION	B	B
		COOLING CAPACITY	180	240
		ELECTRICAL DESIGNATION	D	D
ELECTRIC GROUP				
CONTROL BOX COMPONENTS:				
57a	Stk	Transformer - Control	46-42515-05	46-42515-05
58a		Terminal Block - Double Row	45-42548-02	45-42548-02
58b		Terminal Block	45-21134-04	45-21134-04
58c		Ground Lug	45-19000-02	45-19000-02
59	Stk	Contactors - Blower	42-102664-08	42-22464-01
60		Run Capacitor	See Fan Group	
61		Control Board	47-102884-01	47-102884-01
		Pressure Control Board - On or after F4112	47-104319-02	47-104319-02
62a	Stk	Compressor Contactor	42-102664-12	42-22464-04
62b	Stk	Compressor Contactor	42-102664-12	42-22464-04
MISCELLANEOUS:				
		High Pressure Control	See Coil Group	
		Low Pressure Control	See Coil Group	
WIRING HARNESES:				
		Wiring Harness - Fan Motor #1	See Fan Group	
		Wiring Harness - Fan Motor #2	See Fan Group	
		Wiring Harness - Fan Motor #3	See Fan Group	
		Plug Harness - Compressor	See Compressor Group	
		Bypass Plug - Economizer 12 Pin	AS-61997-55	AS-61997-55
		Wiring Harness - Economizer (12 pin to 9 pin)	45-42522-89	45-42522-89
		Wiring Harness - Heater Control	45-42522-91	45-42522-91
		Wiring Harness - Main Power	45-42522-92	45-42522-92
		Wiring Harness - Pressure Control Board to Pressure Switches (On or after F4112)	45-42522-123	45-42522-123
		High/Low Pressure Control Assembly (Includes both controls and Wiring Harness)	See Coil Group	

No.	Notes	MODEL TECHNICAL VARIATION COOLING CAPACITY ELECTRICAL DESIGNATION	RLKL- B 180 Y	RLKL- B 240 Y
ELECTRIC GROUP				
CONTROL BOX COMPONENTS:				
57a	Stk	Transformer - Control	46-42515-05	46-42515-05
57b	Stk	Transformer - Power Step Down	N/A	N/A
58a		Terminal Block - Double Row	45-42548-02	45-42548-02
58b		Terminal Block	45-21134-04	45-21134-04
58c		Ground Lug	45-19000-02	45-19000-02
59	Stk	Contactora - Blower	42-102664-08	42-102664-08
60		Run Capacitor	See Fan Group	
61		Control Board	47-102884-01	47-102884-01
		Pressure Control Board - On or after F4112	47-104319-02	47-104319-02
62a	Stk	Compressor Contactor	42-102664-12	42-22464-04
62b	Stk	Compressor Contactor	42-102664-12	42-22464-04
MISCELLANEOUS:				
		High Pressure Control	See Coil Group	
		Low Pressure Control	See Coil Group	
WIRING HARNESES:				
		Wiring Harness - Motor #1	See Fan Group	
		Wiring Harness - Motor #2	See Fan Group	
		Plug Harness - Compressor	See Compressor Group	
		Bypass Plug - Economizer 12 Pin	AS-61997-55	AS-61997-55
		Wiring Harness - Economizer (12 pin to 9 pin)	45-42522-89	45-42522-89
		Wiring Harness - Heater Control	45-42522-91	45-42522-91
		Wiring Harness - Main Power	45-42522-92	45-42522-92
		Wiring Harness - Pressure Control Board to Pressure Switches (On or after F4112)	45-42522-123	45-42522-123
		High/Low Pressure Control Assembly (Includes both controls and Wiring Harness)	See Coil Group	

No.	Notes	MODEL TECHNICAL VARIATION COOLING CAPACITY ELECTRICAL DESIGNATION	RLKL- B 090 C	RLKL- B 120 C	RLKL- B 151 C
FAN GROUP					
52	Stk	Fan Motor	51-42534-29 (1)	51-42534-24 (2)	51-42534-29 (2)
		Wiring Harness - Motor #1 (before F4112)	45-102706-17	45-102706-18	45-102706-03
		Wiring Harness - Motor #1 (on or after F4112)	45-102706-25	45-102706-26	45-102706-24
		Wiring Harness - Motor #2 (before F4112)	N/A	45-102706-19	45-102706-04
		Wiring Harness - Motor #2 (on or after F4112)	N/A	45-102706-23	45-102706-27
53	Stk	Fan Blade	70-103693-01 (1)	70-42572-04 (2)	70-103693-01 (2)
60	Stk	Capacitor - Fan Motor	43-100496-17 (1)	43-100496-12 (2)	43-100496-17 (2)

No.	Notes	MODEL TECHNICAL VARIATION COOLING CAPACITY ELECTRICAL DESIGNATION	RLKL- B 090 D	RLKL- B 120 D	RLKL- B 151 D
FAN GROUP					
52	Stk	Fan Motor	51-42534-28 (1)	51-42534-25 (2)	51-42534-28 (2)
		Wiring Harness - Motor #1 (before F4112)	45-102706-17	45-102706-18	45-102706-03
		Wiring Harness - Motor #1 (on or after F4112)	45-102706-25	45-102706-26	45-102706-24
		Wiring Harness - Motor #2 (before F4112)	N/A	45-102706-19	45-102706-04
		Wiring Harness - Motor #2 (on or after F4112)	N/A	45-102706-23	45-102706-27
53	Stk	Fan Blade	70-103693-01 (1)	70-42572-04 (2)	70-103693-01 (2)
60	Stk	Capacitor - Fan Motor	43-100496-12 (1)	43-100496-12 (2)	43-100496-12 (2)

No.	Notes	MODEL TECHNICAL VARIATION COOLING CAPACITY ELECTRICAL DESIGNATION	RLKL- B 090 Y	RLKL- B 120 Y	RLKL- B 151 Y
FAN GROUP					
52	Stk	Fan Motor	51-42534-27 (1)	51-42534-26 (2)	51-42534-27 (2)
		Wiring Harness - Motor #1 (before F4112)	45-102706-17	45-102706-18	45-102706-03
		Wiring Harness - Motor #1 (on or after F4112)	45-102706-25	45-102706-26	45-102706-24
		Wiring Harness - Motor #2 (before F4112)	N/A	45-102706-19	45-102706-04
		Wiring Harness - Motor #2 (on or after F4112)	N/A	45-102706-23	45-102706-27
53	Stk	Fan Blade	70-103693-01 (1)	70-42572-04 (2)	70-103693-01 (2)
60	Stk	Capacitor - Fan Motor	43-100496-48 (1)	43-100496-12 (2)	43-100496-48 (2)

No.	Notes	MODEL TECHNICAL VARIATION COOLING CAPACITY ELECTRICAL DESIGNATION	RLKL- B 180 C	RLKL- B 240 C
FAN GROUP				
52	Stk	Fan Motor	51-42534-29 (3)	51-42534-29 (3)
		Wiring Harness - Motor #1, #2	45-42522-71	45-42522-71
		Wiring Harness - Motor #3	45-42522-114	45-42522-114
53	Stk	Fan Blade	70-103693-01 (3)	70-103693-01 (3)
60	Stk	Capacitor - Fan Motor	43-100496-17 (3)	43-100496-17 (3)

No.	Notes	MODEL TECHNICAL VARIATION COOLING CAPACITY ELECTRICAL DESIGNATION	RLKL- B 180 D	RLKL- B 240 D
FAN GROUP				
52	Stk	Fan Motor	51-42534-28 (3)	51-42534-28 (3)
		Wiring Harness - Motor #1, #2	45-42522-71	45-42522-71
		Wiring Harness - Motor #3	45-42522-114	45-42522-114
53	Stk	Fan Blade	70-103693-01 (3)	70-103693-01 (3)
60	Stk	Capacitor - Fan Motor	43-100496-12 (3)	43-100496-12 (3)

No.	Notes	MODEL TECHNICAL VARIATION COOLING CAPACITY ELECTRICAL DESIGNATION	RLKL- B 180 Y	RLKL- B 240 Y
FAN GROUP				
52	Stk	Fan Motor	51-42534-27 (3)	51-42534-27 (3)
		Wiring Harness - Motor #1, #2	45-42522-71	45-42522-71
		Wiring Harness - Motor #3	45-42522-114	45-42522-114
53	Stk	Fan Blade	70-103693-01 (3)	70-103693-01 (3)
60	Stk	Capacitor - Fan Motor	43-100496-48 (3)	43-100496-48 (3)

No.	Notes	MODEL TECHNICAL VARIATION COOLING CAPACITY ELECTRICAL DESIGNATION DRIVE PACKAGE	RLKL-	RLKL-	RLKL-	RLKL-	RLKL-	RLKL-
			B 072 C L	B 072 C M	B 072 D L	B 072 D M	B 072 Y L	B 072 Y M
BLOWER GROUP - BELT DRIVE								
74	Stk	Blower Motor	51-41936-02	51-41936-02	51-41936-02	51-41936-02	51-42177-10	51-42177-10
75	Stk	Variable Pitch Sheave	71-40427-29	71-40427-25	71-40427-29	71-40427-25	71-40427-29	71-40427-25
76	Stk	Belt	71-40235-42	71-40235-43	71-40235-42	71-40235-43	71-40235-42	71-40235-43
62	Stk	Blower Assembly (Items 63-73, excluding Cross Brace)	AS-101336-03	AS-101336-03	AS-101336-03	AS-101336-03	AS-101336-03	AS-101336-03
63		Housing	AS-101342-01	AS-101342-01	AS-101342-01	AS-101342-01	AS-101342-01	AS-101342-01
64	Stk	Bearing Frame Tri-Arm (2)	70-41723-02	70-41723-02	70-41723-02	70-41723-02	70-41723-02	70-41723-02
65	Stk	Ball Bearing and Cushion (2)	70-41911-01	70-41911-01	70-41911-01	70-41911-01	70-41911-01	70-41911-01
66	Stk	Blower Shaft	70-21933-02	70-21933-02	70-21933-02	70-21933-02	70-21933-02	70-21933-02
67	Stk	Fixed Pitch Sheave	71-100772-03	71-100772-03	71-100772-03	71-100772-03	71-100772-03	71-100772-03
68		Blower Support - Left	AE-58950-03	AE-58950-03	AE-58950-03	AE-58950-03	AE-58950-03	AE-58950-03
69	Stk	Wheel	70-21773-01	70-21773-01	70-21773-01	70-21773-01	70-21773-01	70-21773-01
70		Cut-Off Tabulation	AE-64401-18	AE-64401-18	AE-64401-18	AE-64401-18	AE-64401-18	AE-64401-18

No.	Notes	MODEL TECHNICAL VARIATION DRIVE PACKAGE	RLKL-					
			B L/M					
MOTOR MOUNTING								
71		Blower Bracket	AE-101124-05					
72		Blower Bracket - Drive Side	AE-101124-03					
72a		Grommet (Flat)	56-18518-04					
72b		Cross Brace	AE-101467-01					
73		Motor Mount Assembly	AS-101340-01					

No.	Notes	MODEL TECHNICAL VARIATION COOLING CAPACITY DRIVE PACKAGE	RLKL- B 090 L	RLKL- B 120 L	RLKL- B 151 L
BLOWER ASSEMBLY GROUP - BELT DRIVE					
64	Stk	Blower Assembly (w/o Motor Mount, Belt, Fixed Sheave, and Key)	AS-90757-01	AS-90757-01	AS-90757-01
65	Stk	Blower Wheel	70-42540-02	70-42540-02	70-42540-02
66		Bearing Frame Tri-Arm (2)	70-42540-05	70-42540-05	70-42540-05
67		Bearing with Bearing Lock (2)	70-41854-02	70-41854-02	70-41854-02
68	Stk	Blower Shaft	70-42540-04	70-42540-04	70-42540-04
69		Blower Mounting Angles (2)	AE-90708-01	AE-90708-01	AE-90708-01
		Blower Angle Stop	AE-90709-02	AE-90709-02	AE-90709-02
70		Motor Mount	AS-90824-01	AS-90824-01	AS-90824-01
71	Stk	Blower Motor - C/D Voltages	51-42536-01	51-42536-01	51-42537-01
71	Stk	Blower Motor - Y Voltage	51-42536-02	51-42536-02	51-42537-02
72	Stk	Variable Sheave	71-42538-02	71-42538-02	71-42538-02
73	Stk	Belt	71-40438-30	71-40438-27	71-40438-23
74	Stk	Fixed Sheave	71-100774-05	71-100774-02	71-100774-01
		Key	94-42551-09	94-42551-09	94-42551-09
	Stk	Bushing for Sheave w/Screws	71-100773-01	71-100773-01	71-100773-01

No.	Notes	MODEL TECHNICAL VARIATION COOLING CAPACITY DRIVE PACKAGE	RLKL- B 090 M	RLKL- B 120 M	RLKL- B 151 M
BLOWER ASSEMBLY GROUP - BELT DRIVE					
64	Stk	Blower Assembly (w/o Motor Mount, Belt, Fixed Sheave, and Key)	AS-90757-01	AS-90757-01	AS-90757-01
65	Stk	Blower Wheel	70-42540-02	70-42540-02	70-42540-02
66		Bearing Frame Tri-Arm (2)	70-42540-05	70-42540-05	70-42540-05
67		Bearing with Bearing Lock (2)	70-41854-02	70-41854-02	70-41854-02
68	Stk	Blower Shaft	70-42540-04	70-42540-04	70-42540-04
69		Blower Mounting Angles (2)	AE-90708-01	AE-90708-01	AE-90708-01
		Blower Angle Stop	AE-90709-02	AE-90709-02	AE-90709-02
70		Motor Mount	AE-90710-04	AE-90710-04	AE-90710-04
71	Stk	Blower Motor - C/D Voltages	51-42536-01	51-42537-01	51-102826-06
71	Stk	Blower Motor - Y Voltage	51-42536-02	51-42537-02	51-102826-08
72	Stk	Variable Sheave	71-42538-02	71-42538-02	71-40427-11
73	Stk	Belt	71-40438-27	71-40438-23	71-40438-31
74	Stk	Fixed Sheave	71-100774-02	71-100774-04	71-26254-06
		Key	94-42551-09	94-42551-09	94-42551-09
	Stk	Bushing for Sheave w/Screws	71-100773-01	71-100773-01	71-100773-01

No.	Notes	MODEL TECHNICAL VARIATION COOLING CAPACITY DRIVE PACKAGE	RLKL- B 090 N		
BLOWER ASSEMBLY GROUP - BELT DRIVE					
64	Stk	Blower Assembly (w/o Motor Mount, Belt, Fixed Sheave, and Key)	AS-90757-01		
65	Stk	Blower Wheel	70-42540-02		
66		Bearing Frame Tri-Arm (2)	70-42540-05		
67		Bearing with Bearing Lock (2)	70-41854-02		
68	Stk	Blower Shaft	70-42540-04		
69		Blower Mounting Angles (2)	AE-90708-01		
		Blower Angle Stop	AE-90709-02		
70		Motor Mount	AE-90710-04		
71	Stk	Blower Motor - C/D Voltages	51-42537-01		
71	Stk	Blower Motor - Y Voltage	51-42537-02		
72	Stk	Variable Sheave	71-42538-02		
73	Stk	Belt	71-40438-23		
74	Stk	Fixed Sheave	71-100774-04		
		Key	94-42551-09		
	Stk	Bushing for Sheave w/Screws	71-100773-01		

No.	Notes	MODEL TECHNICAL VARIATION COOLING CAPACITY DRIVE PACKAGE	RLKL-	RLKL-
			B 180 L	B 240 L
BLOWER ASSEMBLY GROUP - BELT DRIVE				
64	Stk	Blower Assembly (includes Bearing Frame and Blower Wheel) (2)	AS-90757-06	AS-90757-06
65	Stk	Blower Wheel (2)	70-42564-02	70-42564-02
66		Bearing Frame Tri-Arm (4)	70-42284-04	70-42284-04
67		Bearing with Bearing Lock (4)	70-41854-02	70-41854-02
68	Stk	Blower Shaft	70-42564-03	70-42564-03
69		Blower Connector Angles (3)	AE-90798-01	AE-90798-01
70		Motor Mount	AE-90710-03	AE-90710-03
71	Stk	Blower Motor - C/D Voltages	51-42537-01	51-102826-06
71	Stk	Blower Motor - Y Voltage	51-42537-02	51-102826-08
72	Stk	Variable Sheave	71-42538-02	71-40427-04
73	Stk	Belt	71-40438-43	71-40438-51
74a	Stk	Fixed Sheave	71-100774-08	71-100774-06
74b		Key	94-42551-09	94-42551-09
74c	Stk	Bushing for Sheave w/Screws	71-100773-01	71-100773-01

No.	Notes	MODEL TECHNICAL VARIATION COOLING CAPACITY DRIVE PACKAGE	RLKL-	RLKL-
			B 180 M	B 240 M
BLOWER ASSEMBLY GROUP - BELT DRIVE				
64	Stk	Blower Assembly (includes Bearing Frame and Blower Wheel) (2)	AS-90757-06	AS-90757-06
65	Stk	Blower Wheel (2)	70-42564-02	70-42564-02
66		Bearing Frame Tri-Arm (4)	70-42284-04	70-42284-04
67		Bearing with Bearing Lock (4)	70-41854-02	70-41854-02
68	Stk	Blower Shaft	70-42564-03	70-42564-03
69		Blower Connector Angles (3)	AE-90798-01	AE-90798-01
70		Motor Mount	AE-90710-03	AE-90710-03
71	Stk	Blower Motor - C/D Voltages	51-102826-06	51-102826-07
71	Stk	Blower Motor - Y Voltage	51-102826-08	51-102826-09
72	Stk	Variable Sheave	71-40427-04	71-40427-59
73	Stk	Belt	71-40438-46	71-40438-54
74a	Stk	Fixed Sheave	71-100774-08	71-100774-06
74b		Key	94-42551-09	94-42551-09
74c	Stk	Bushing for Sheave w/Screws	71-100773-01	71-100773-01

No.	Notes	MODEL Technical Variations Cooling Capacity	RLKL- B 072
COIL GROUP			
EVAPORATOR COIL:			
80	Stk	Evaporator Coil	AS-103213-01
81		Top Air Stop	AE-58933-02
82		Top Coil Support	AE-58941-01
83	Stk	Indoor Coil Drain Pan	68-23559-02
85		Filter Channels (3) - Center is 2 Channels Back to Back	AE-58934-03
		Filter Keeper	AE-59168-01
86		Filter - Disposable 16x16x2 (4)	54-17531-24
87		Strainer	N/A
88		Header Assembly	82-101745-05
89	Stk	TXV	61-42662-14
CONDENSER COIL:			
84	Stk	Condenser Coil	AS-101717-01
	Stk	Filter Drier - Liquid Line	83-22755-10

No.	Notes	MODEL TECHNICAL VARIATION COOLING CAPACITY	RLKL- B 090	RLKL- B 120
COIL GROUP				
EVAPORATOR COIL GROUP:				
42	Stk	Evaporator Coil	AS-90656-76	AS-90656-82
	Stk	Distributor / Flowcheck Piston Assembly	61-102912-98	61-102912-120
43	Stk	Drain Pan - Removable	68-102699-02	68-102699-02
FILTER PIECES:				
44		Filter Frame	AE-90606-11	AE-90606-11
45		Air Stop - Bottom	AE-102712-10	AE-102712-10
46		Air Stop - Side	AE-102712-06	AE-102712-06
47		Top Air Stop Assembly	AS-90604-06	AS-90604-06
48		Filter Channel (2)	AE-102712-08	AE-102712-08
49		Filter Slide (2)	AE-102712-11	AE-102712-11
50		Filter (6)	54-42541-01	54-42541-01
CONDENSER COIL:				
37a	Stk	Condenser Coil	65-101478-07	65-101478-07
37b	Stk	Condenser Coil	N/A	65-101478-07
38		Front Air Stop	AE-90706-19	N/A
39		Rear Air Stop	AE-90706-18	N/A
40a,b		Bottom Retainer (2)	AE-90700-03	AE-90700-02
40a		Micro-Channel Coil Mounting Base - Left	68-102752-01	68-102752-01
40b		Micro-Channel Coil Mounting Base - Right	68-102752-02	68-102752-02
41a		Top Support - Condenser Coil	N/A	AE-90612-13
41b		Top Support - Condenser Bulkhead	N/A	AE-90612-23
		Filter Drier - Liquid Line	83-40386-05 (1)	83-40386-05 (1)
		Strap - Filter Drier	N/A	AE-102132-01 (1)
	Stk	High Pressure Control - Before F4112	47-23699-05 (1)	47-23699-05 (1)
	Stk	High Pressure Control - On or After F4112	47-103669-01 (1)	47-103669-01 (1)
	Stk	Low Pressure Control	47-101529-09 (1)	47-101529-09 (1)
		High/Low Pressure Control Assembly (Includes both controls and Wiring Harness) - Before F4112	AS-102877-01	AS-102877-01

No.	Notes	MODEL TECHNICAL VARIATION COOLING CAPACITY	RLKL- B 151
COIL GROUP			
EVAPORATOR COIL GROUP:			
42	Stk	Evaporator Coil	AS-90656-75
		TXV - Circuit #1	61-101351-14
		TXV - Circuit #2	61-101351-14
		Bulb Strap Kit - TXV (2)	64-101357-01
43	Stk	Drain Pan - Removable	68-102699-02
FILTER PIECES:			
44		Filter Frame	AE-90606-11
45		Air Stop - Bottom	AE-102712-10
46		Air Stop - Side	AE-102712-06
47		Top Air Stop Assembly	AS-90604-06
48		Filter Channel (2)	AE-102712-08
49		Filter Slide (2)	AE-102712-11
50		Filter (6)	54-42541-01
CONDENSER COIL:			
37a	Stk	Condenser Coil	65-101478-08
37b	Stk	Condenser Coil	65-101478-08
38		Front Air Stop	N/A
39		Rear Air Stop	N/A
40a,b		Bottom Retainer (2)	N/A
40a		Micro-Channel Coil Mounting Base - Left	68-102752-01
40b		Micro-Channel Coil Mounting Base - Right	68-102752-02
41a		Top Support - Condenser Coil	AE-90612-13
41b		Top Support - Condenser Bulkhead	AE-90612-05
		Filter Drier - Liquid Line	83-22755-05 (2)
		Strap - Filter Drier	AE-102132-01 (2)
	Stk	High Pressure Control - Before F4112	47-23699-05 (2)
	Stk	High Pressure Control - On or After F4112	47-103669-01 (2)
	Stk	Low Pressure Control	47-101529-09 (2)
		High/Low Pressure Control Assembly (Includes both controls and Wiring Harness) - Before F4112	AS-102877-01 (2)

No.	Notes	MODEL TECHNICAL VARIATION COOLING CAPACITY	RLKL- B 180	RLKL- B 240
COIL GROUP				
EVAPORATOR COIL GROUP:				
40		Air Flow Panel - Green	AS-90828-02A	AS-90828-02A
40		Air Flow Panel - Gray	AS-90828-02H	AS-90828-02H
42	Stk	Complete Coil - Indoor	AS-103697-01	AS-103697-03
	Stk	Distributor/Cap Tube Assembly - Circuit #1	83-103430-04	83-103430-01
	Stk	Distributor/Cap Tube Assembly - Circuit #2	83-103430-05	83-103430-02
43	Stk	Drain Pan - Removable	68-102699-01	68-102699-01
FILTER PIECES:				
44		Filter Frame	AE-90606-10	AE-90606-10
45	1	Air Stop - Bottom (Before F1811) - See Note 1	AE-102712-05	AE-102712-05
45		Air Stop - Bottom (After F1811)	AE-102712-17	AE-102712-17
46	1	Air Stop - Side (Before F1811) - See Note 1	AE-102712-01	AE-102712-01
46		Air Stop - Side (After F1811)	AE-102712-14	AE-102712-14
47		Top Air Stop Assembly	AS-90604-04	AS-90604-04
48	1	Filter Channel (2) (Before F1811) - See Note 1	AE-102712-03	AE-102712-03
48		Filter Channel (2) (After F1811)	AE-102712-16	AE-102712-16
49	1	Filter Slide (2) (Before F1811) - See Note 1	AE-102712-02	AE-102712-02
49		Filter Slide (2) (After F1811)	AE-102712-15	AE-102712-15
50		Filter - 20 in. x 25 in. x 2 in. (8)	54-42541-04	54-42541-04
CONDENSER COIL:				
37	Stk	Condenser Coil	65-101478-10 (1)	65-101478-09 (2)
37a		Coil Mounting Base - Left	68-102752-01	68-102752-01
37b		Coil Mounting Base - Right	68-102752-02	68-102752-02
38		Post - Outdoor Coil (Front) - Green	AS-90701-08A	AS-90701-08A
38		Post - Outdoor Coil (Front) - Gray	AS-90701-08H	AS-90701-08H
38a		Air Stop - Front	N/A	AE-90706-21
39		Post - Outdoor Coil (Rear) - Green	AS-90702-06A	AS-90702-06A
39		Post - Outdoor Coil (Rear) - Gray	AS-90702-06H	AS-90702-06H
39b		Air Stop - Rear	N/A	AE-90706-20
41a		Top Support - Inner Condenser Coil (2)	N/A	AE-90612-28
41b		Top Support - Condenser Bulkhead	N/A	AE-90612-24
		Filter Drier - Liquid Line (2)	83-22755-13	83-22755-13
	Stk	High Pressure Control - Before F4112	47-23699-05 (2)	47-23699-05 (2)
	Stk	High Pressure Control - On or After F4112	47-23699-04 (2)	47-23699-04 (2)
	Stk	Low Pressure Control	47-101529-09 (2)	47-101529-09 (2)
		High/Low Pressure Control Assembly (Includes both controls and Wiring Harness) - Before F4112	AS-102877-01	AS-102877-01

No.	Notes	MODEL TECHNICAL VARIATION COOLING CAPACITY ELECTRICAL DESIGNATION	RLKL- B 072 C	RLKL- B 090 C	RLKL- B 120 C
COMPRESSOR GROUP					
		Compressor ID:	8059	8294	8274
75	Stk	Compressor	55-102471-14S	55-102045-43S	55-102471-01S
		Plug Harness - Compressor	45-100834-80	45-102708-01	45-102706-13
		Compressor ID:			8987
75	Stk	Compressor			55-102471-31S
		Adapter Plate			AE-104773-01
	Stk	Plug Harness - Compressor			45-102706-13

No.	Notes	MODEL TECHNICAL VARIATION COOLING CAPACITY ELECTRICAL DESIGNATION	RLKL- B 072 D	RLKL- B 090 D	RLKL- B 120 D
COMPRESSOR GROUP					
		Compressor ID:	8060	8295	8275
75	Stk	Compressor	55-102471-16S	55-102045-45S	55-102471-04S
		Plug Harness - Compressor	45-100834-80	45-102708-01	45-102706-13
		Compressor ID:			8988
75	Stk	Compressor			55-102471-27S
		Adapter Plate			AE-104773-01
	Stk	Plug Harness - Compressor			45-102706-13

No.	Notes	MODEL TECHNICAL VARIATION COOLING CAPACITY ELECTRICAL DESIGNATION	RLKL- B 072 Y	RLKL- B 090 Y	RLKL- B 120 Y
COMPRESSOR GROUP					
		Compressor ID:	8061	8296	8276
75	Stk	Compressor	55-102471-15S	55-102045-44S	55-102471-05S
		Plug Harness - Compressor	45-100834-80	45-102708-01	45-102706-13
		Compressor ID:			8989
75	Stk	Compressor			55-102471-32S
		Adapter Plate			AE-104773-01
	Stk	Plug Harness - Compressor			45-102706-13

No.	Notes	MODEL	RLKL- B 151 C
		TECHNICAL VARIATION COOLING CAPACITY ELECTRICAL DESIGNATION	
COMPRESSOR GROUP			
		Compressor ID:	8316
75	Stk	Compressor #1	55-102471-14S
75	Stk	Compressor #2	55-102471-18S
		Plug Harness - Compressor #1	45-102708-03
		Plug Harness - Compressor #2	45-102708-04

No.	Notes	MODEL	RLKL- B 151 D
		TECHNICAL VARIATION COOLING CAPACITY ELECTRICAL DESIGNATION	
COMPRESSOR GROUP			
		Compressor ID:	8317
75	Stk	Compressor #1	55-102471-16S
75	Stk	Compressor #2	55-102471-19S
		Plug Harness - Compressor #1	45-102708-03
		Plug Harness - Compressor #2	45-102708-04

No.	Notes	MODEL	RLKL- B 151 Y
		TECHNICAL VARIATION COOLING CAPACITY ELECTRICAL DESIGNATION	
COMPRESSOR GROUP			
		Compressor ID:	8318
75	Stk	Compressor #1	55-102471-15S
75	Stk	Compressor #2	55-102471-17S
		Plug Harness - Compressor #1	45-102708-03
		Plug Harness - Compressor #2	45-102708-04

No.	Notes	MODEL TECHNICAL VARIATION COOLING CAPACITY ELECTRICAL DESIGNATION	RLKL- B 180 C	RLKL- B 240 C
COMPRESSOR GROUP				
		Compressor:	8353	8336
75	Stk	Compressor #1	55-23156-20S	55-102471-02S
75	Stk	Compressor #2	55-23156-29S	55-102471-01S
		Plug Harness - Compressor #1	45-42522-73	45-42522-73
		Plug Harness - Compressor #2	45-42522-72	45-42522-72
		High Pressure Control	47-23699-05	47-23699-05
		Low Pressure Control	47-101529-09	47-101529-09
		Harness - High/Low Pressure Switch Assembly (includes High and Low Switches)	AS-102877-01	AS-102877-01

No.	Notes	MODEL TECHNICAL VARIATION COOLING CAPACITY ELECTRICAL DESIGNATION	RLKL- B 180 D	RLKL- B 240 D
COMPRESSOR GROUP				
		Compressor:	8354	8337
75	Stk	Compressor #1	55-23156-21S	55-102471-09S
75	Stk	Compressor #2	55-23156-30S	55-102471-04S
		Plug Harness - Compressor #1	45-42522-73	45-42522-73
		Plug Harness - Compressor #2	45-42522-72	45-42522-72
		High Pressure Control	47-23699-05	47-23699-05
		Low Pressure Control	47-101529-09	47-101529-09
		Harness - High/Low Pressure Switch Assembly (includes High and Low Switches)	AS-102877-01	AS-102877-01

No.	Notes	MODEL TECHNICAL VARIATION COOLING CAPACITY ELECTRICAL DESIGNATION	RLKL- B 180 Y	RLKL- B 240 Y
COMPRESSOR GROUP				
		Compressor:	8355	8338
75	Stk	Compressor #1	55-23156-22S	55-102471-11S
75	Stk	Compressor #2	55-23156-31S	55-102471-05S
		Plug Harness - Compressor #1	45-42522-73	45-42522-73
		Plug Harness - Compressor #2	45-42522-72	45-42522-72
		High Pressure Control	47-23699-05	47-23699-05
		Low Pressure Control	47-101529-09	47-101529-09
		Harness - High/Low Pressure Switch Assembly (includes High and Low Switches)	AS-102877-01	AS-102877-01

No.	Notes	MODEL TECHNICAL VARIATION COOLING CAPACITY ELECTRICAL DESIGNATION DRIVE PACKAGE	RLKL- B 072 C L/M	RLKL- B 072 D L/M	RLKL- B 072 Y L/M
HEATER KITS					
		Electric Element Kits - Option	RXJJ-A06C	RXJJ-A06D	N/A
		Electric Element Kits - Option	RXJJ-A10C	RXJJ-A10D	N/A
		Electric Element Kits - Option	RXJJ-A15C	RXJJ-A15D	RXJJ-A15Y
		Electric Element Kits - Option	RXJJ-A20C	RXJJ-A20D	RXJJ-A20Y
		Electric Element Kits - Option	RXJJ-A24C	RXJJ-A24D	RXJJ-A24Y

No.	Notes	MODEL TECHNICAL VARIATION COOLING CAPACITY			RLKL- B 072
OPTIONS AND ACCESSORIES					
		Economizer - Downflow/Horizontal, Single Enthalpy - Green			RXRD-MCCM3
		Economizer - Downflow/Horizontal, Single Enthalpy - Gray			AXRD-MCCM3
		Dual Enthalpy Upgrade Kit			RXR-AR02
		CO2 Sensor			RXR-AR02
		Power Exhaust (C,D,Y voltages) - Green			RXR-BGF03
		Power Exhaust (C,D,Y voltages) - Gray			AXR-BGF03
		Louver Kit (3 Sides) - Green			RXR-AAD01B
		Louver Kit (3 Sides) - Gray			AXR-AAD01B
		Time Delay - Compressor			RXMD-B04
		Low Ambient Control			RXRZ-A85
		Fresh Air Damper - Manual (Green)			RXR-FCA1
		Fresh Air Damper - Manual (Gray)			AXR-FCA1
		Fresh Air Damper - Motorized (Green)			RXR-FCB1
		Fresh Air Damper - Motorized (Gray)			AXR-FCB1

No.	Notes	MODEL TECHNICAL VARIATION COOLING CAPACITY ELECTRICAL DESIGNATION DRIVE PACKAGE	RLKL- B 090-151 C L/M/N	RLKL- B 090-151 D L/M/N	RLKL- B 090-151 Y L/M/N
HEATER KITS					
		Electric Element Kits - Option	RXJJ-CC10C	RXJJ-CC10D	RXJJ-CC10Y
		Electric Element Kits - Option	RXJJ-CC15C	RXJJ-CC15D	RXJJ-CC15Y
		Electric Element Kits - Option	RXJJ-CC20C	RXJJ-CC20D	RXJJ-CC20Y
		Electric Element Kits - Option	RXJJ-CC30C	RXJJ-CC30D	RXJJ-CC30Y
		Electric Element Kits - Option	RXJJ-CC31C	RXJJ-CC31D	RXJJ-CC40Y
		Electric Element Kits - Option	RXJJ-CC40C	RXJJ-CC40D	RXJJ-CC50Y
		Electric Element Kits - Option	RXJJ-CC41C	RXJJ-CC50D	
		Electric Element Kits - Option	RXJJ-CC50C		

No.	Notes	MODEL TECHNICAL VARIATION COOLING CAPACITY ELECTRICAL DESIGNATION DRIVE PACKAGE	RLKL- B 180-240 C L/M	RLKL- B 180-240 D L/M	RLKL- B 090-151 Y L/M
HEATER KITS					
		Electric Element Kits - Option	RXJJ-CE20C	RXJJ-CE20D	RXJJ-CE20Y
		Electric Element Kits - Option	RXJJ-CE40C	RXJJ-CE40D	RXJJ-CE40Y
		Electric Element Kits - Option	RXJJ-CE60C	RXJJ-CE60D	RXJJ-CE60Y
		Electric Element Kits - Option	RXJJ-CE75C	RXJJ-CE75D	RXJJ-CE75Y

No.	Notes	MODEL TECHNICAL VARIATION COOLING CAPACITY	RLKL- B 090-151
ACCESSORIES			
		Louver Panel - Option (7.5 - 12.5 Ton) - Green	RXRX-AAD02A
		Louver Panel - Option (7.5 - 12.5 Ton) - Gray	AXRX-AAD02A
		Carbon Dioxide Sensor	RXRX-AR02
		Dual Enthalpy Kit	RXRX-AV02
		Manual Fresh Air (Left Panel Mounted) - Green	RXRF-KDA1
		Manual Fresh Air (Left Panel Mounted) - Gray	AXRF-KDA1
		Motor Kit for RXRF-KDA1/AXRF-KDA1	RXRX-AW02
		Manual Fresh Air (Return Panel) - Green	RXRF-JDA1
		Manual Fresh Air (Return Panel) - Gray	AXRF-JDA1
		Motorized Fresh Air (Return Panel) - Green	RXRF-JDB1
		Motorized Fresh Air (Return Panel) - Gray	AXRF-JDB1
		Compressor Time Delay Relay	RXMD-A04
		Freeze Stat - Option	RXRX-AM01
		Convenience Outlet - Option	RXRX-AN01
		Low Ambient Control Kit (1 Per Compressor)	RXRZ-C02

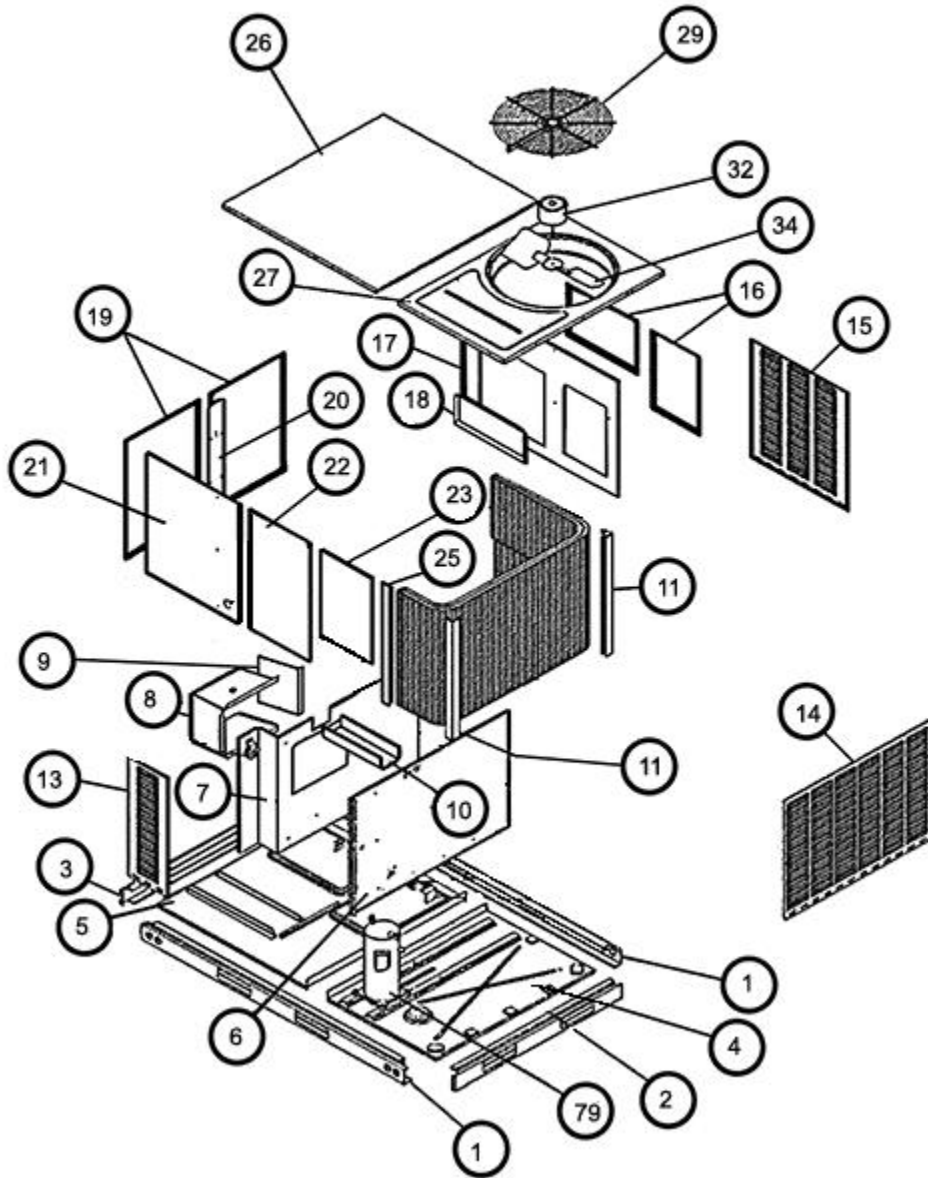
No.	Notes	MODEL TECHNICAL VARIATION COOLING CAPACITY	RLKL- B 090-151
ECONOMIZERS			
		Economizer - Single Enthalpy (Green)	RXRD-PDCM3
		Economizer - Single Enthalpy (Gray)	AXRD-PDCM3
		Economizer - Single Enthalpy w/Smoke Detector (Green)	RXRD-SDCM3
		Economizer - Single Enthalpy w/Smoke Detector (Gray)	AXRD-SDCM3
		Horizontal Economizer - Single Enthalpy (Green)	RXRD-RDCM3
		Horizontal Economizer - Single Enthalpy (Gray)	AXRD-RDCM3

No.	Notes	MODEL TECHNICAL VARIATION COOLING CAPACITY	RLKL- B 090-151
POWER EXHAUST			
		Power Exhaust	RXRX-BFF02C
		Power Exhaust	RXRX-BFF02D
		Power Exhaust	RXRX-BFF02Y

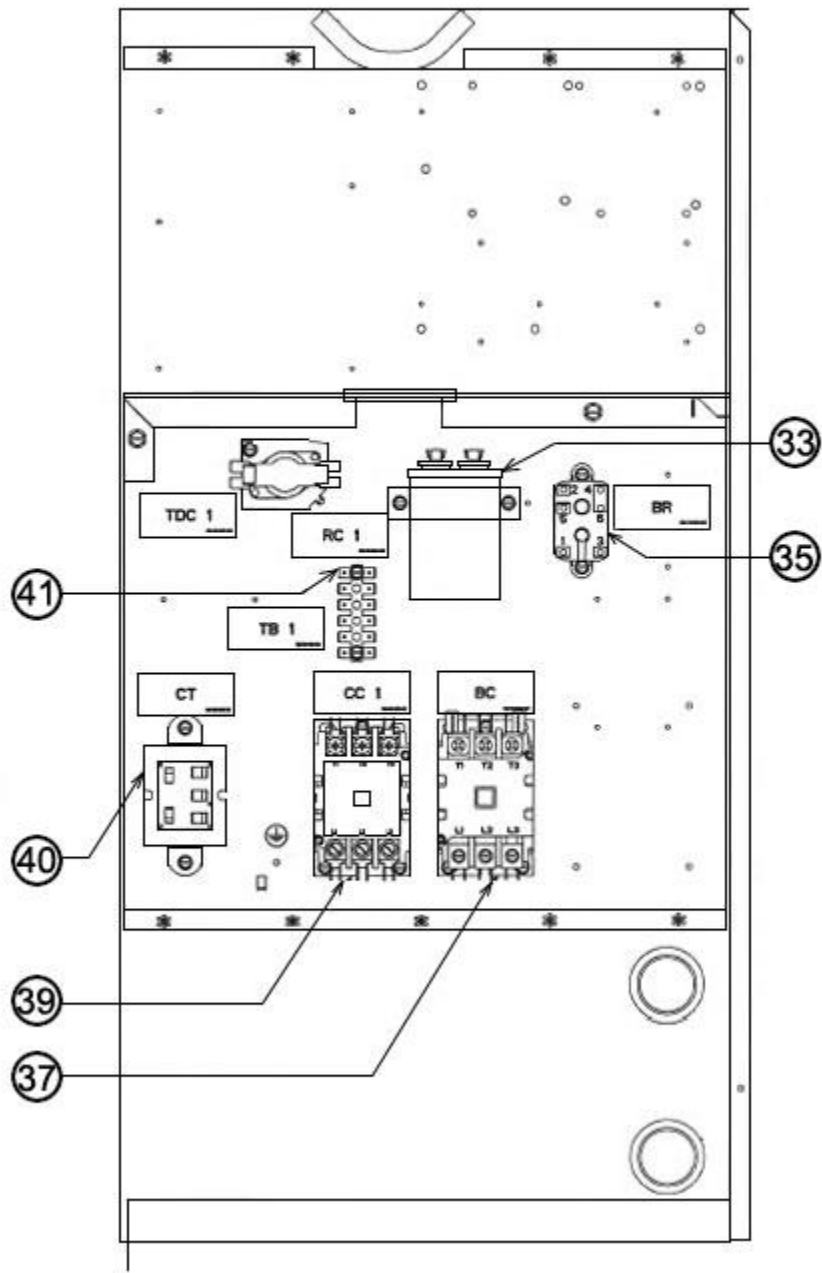
No.	Notes	MODEL TECHNICAL VARIATION COOLING CAPACITY	RLKL- B 180-240
ACCESSORIES			
		Louver Panel Assembly - Option (Green)	RXXR-AAD01K
		Louver Panel Assembly - Option (Gray)	AXRX-AAD01K
		Carbon Dioxide Sensor	RXXR-AR02
		Dual Enthalpy Kit	RXXR-AV02
		Compressor Time Delay Relay	RXMD-A04
		Manual Fresh Air Damper - Green	RXRF-KFA1
		Manual Fresh Air Damper - Gray	AXRF-KFA1
		Motorized Kit for RXRF-KFA1/AXRF-KFA1	RXXR-AW03
		Freeze Stat Kit	RXXR-AM03
		Unwired Convenience Outlet	RXXR-AN01
		Unfused Service Disconnect	RXXR-AP01
		Low Ambient Control Kit (One per Compressor)	RXXR-C02

No.	Notes	MODEL TECHNICAL VARIATION COOLING CAPACITY	RLKL- B 180-240
ECONOMIZERS			
		Downflow Economizer - Single Enthalpy (Green)	RXRD-PGCM3
		Downflow Economizer - Single Enthalpy (Gray)	AXRD-PGCM3
		Downfloe Economizer - Single Enthalpy w/Smoke Detector (Green)	RXRD-SGCM3
		Downfloe Economizer - Single Enthalpy w/Smoke Detector (Gray)	AXRD-SGCM3
		Horizontal Economizer - Single Enthalpy (Green)	RXRD-RGCM3
		Horizontal Economizer - Single Enthalpy (Gray)	AXRD-RGCM3

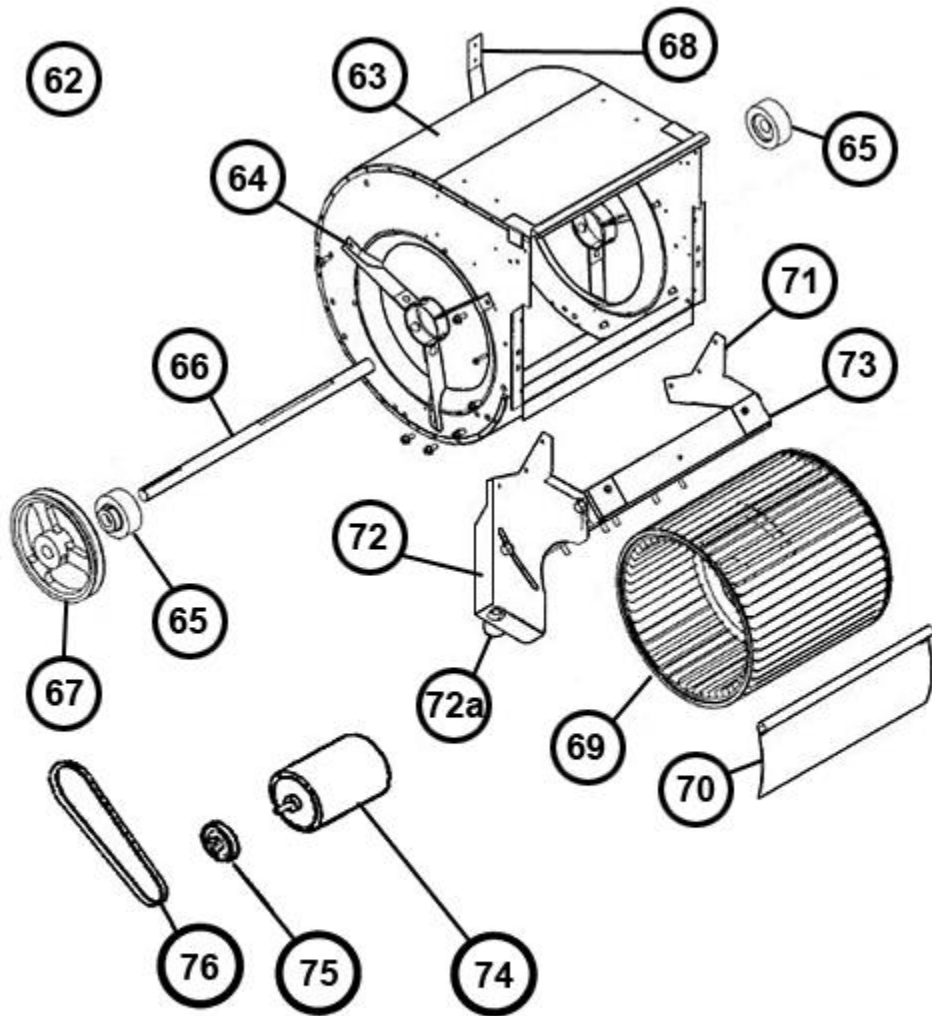
No.	Notes	MODEL TECHNICAL VARIATION COOLING CAPACITY	RLKL- B 180-240
POWER EXHAUST			
		Power Exhaust	RXXR-BGF05C
		Power Exhaust	RXXR-BGF05D
		Power Exhaust	RXXR-BGF05Y



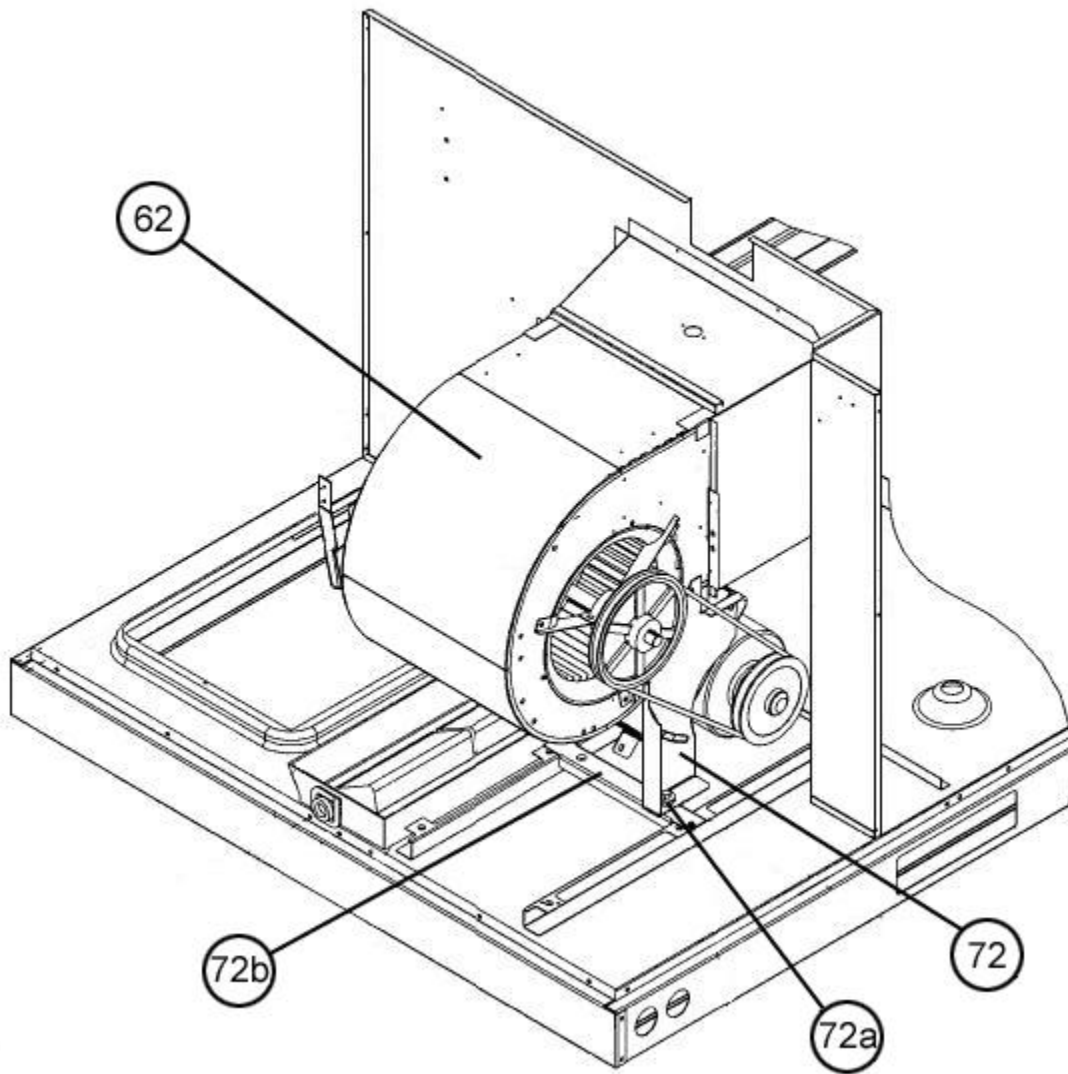
Exploded View 072



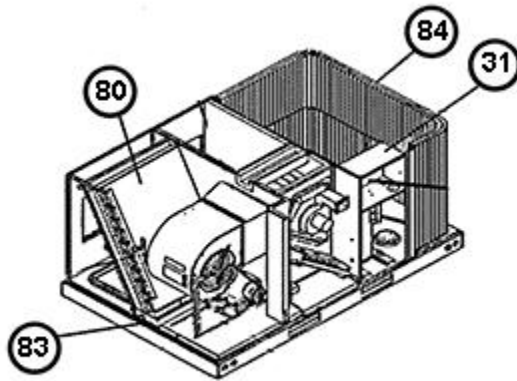
Control Box 072



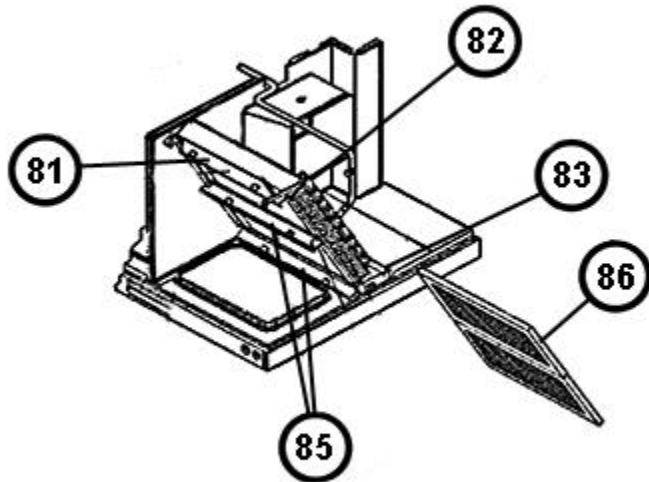
Blower Assembly - Belt Drive 072



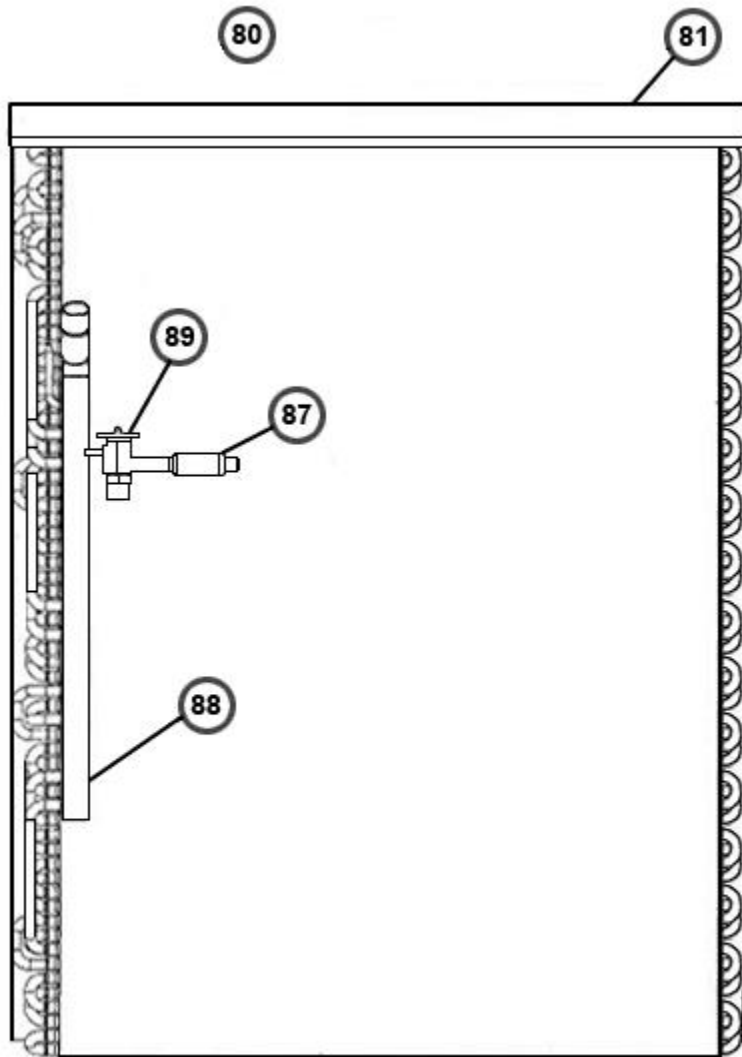
Blower Motor Mount Assembly - Belt Drive 072



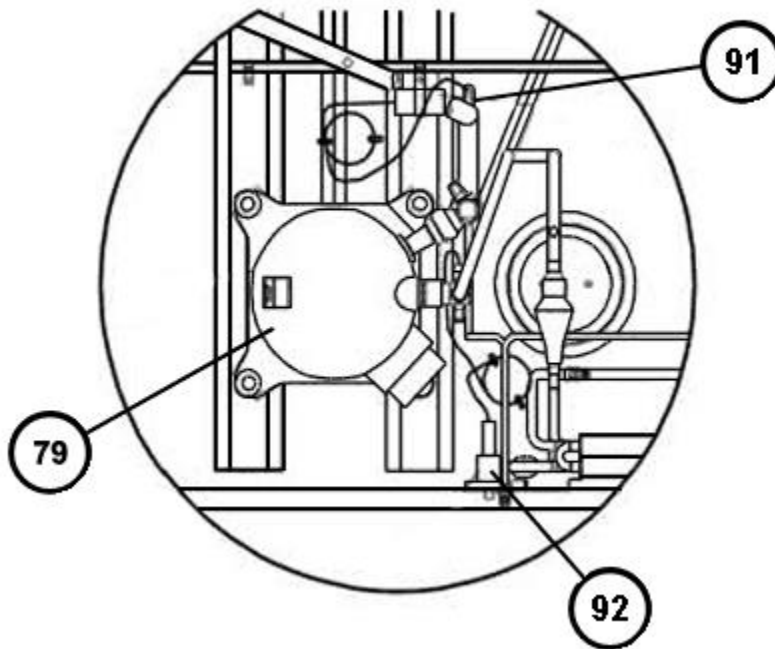
Coil Group Cut-away View 072



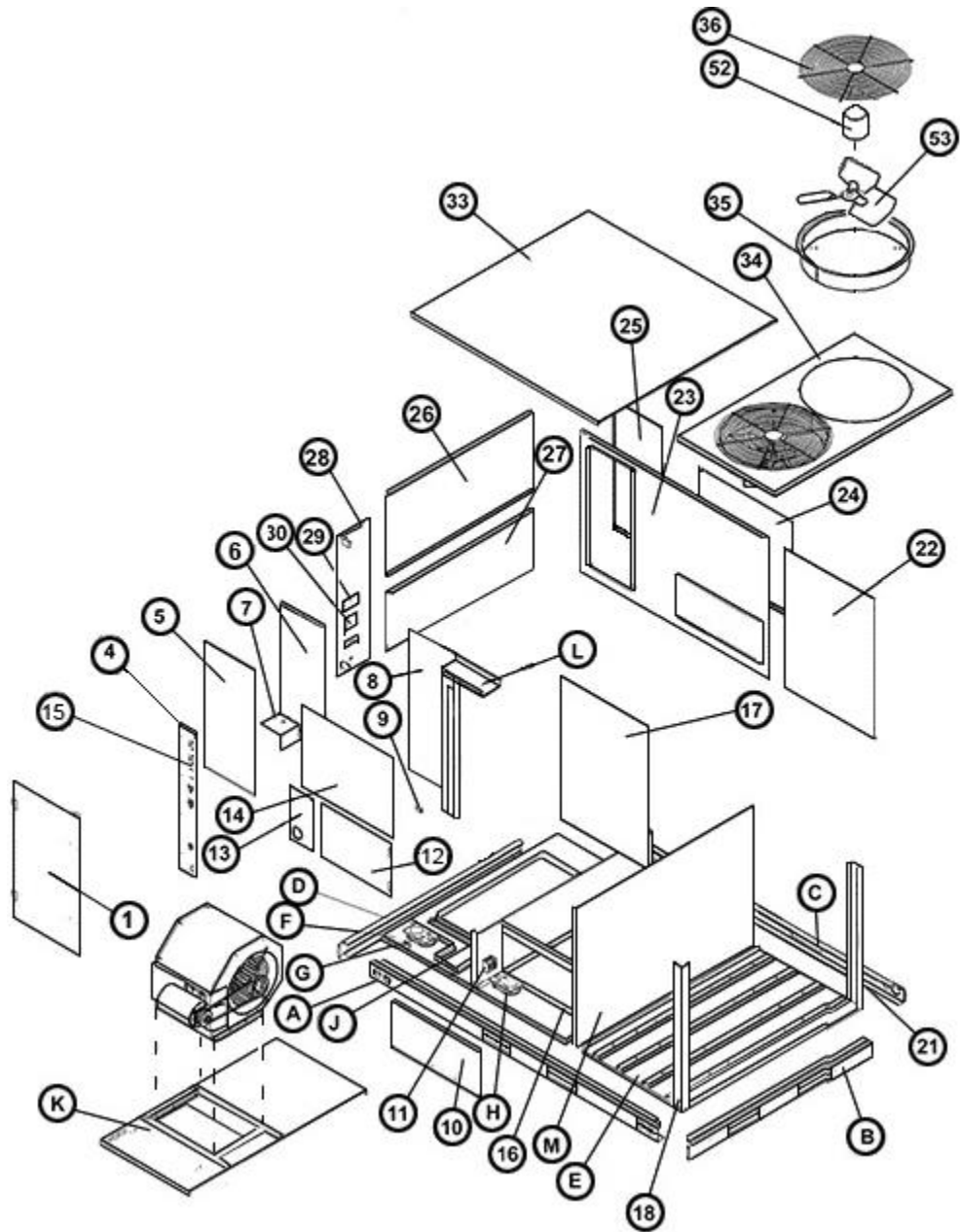
Evaporator Coil - Filter Parts 072



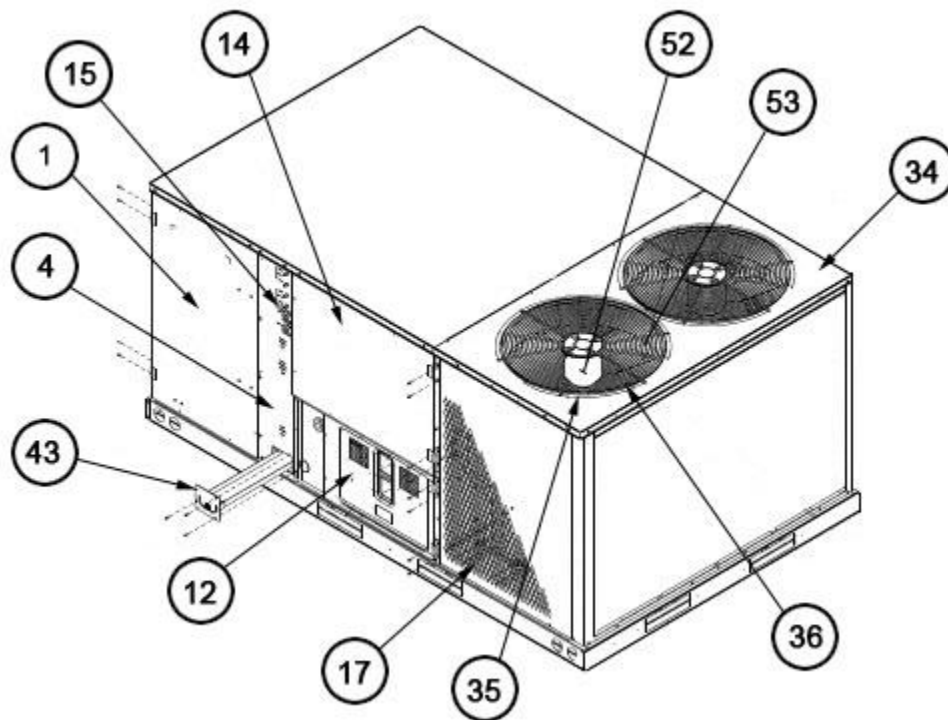
Evaporator Coil Parts 072



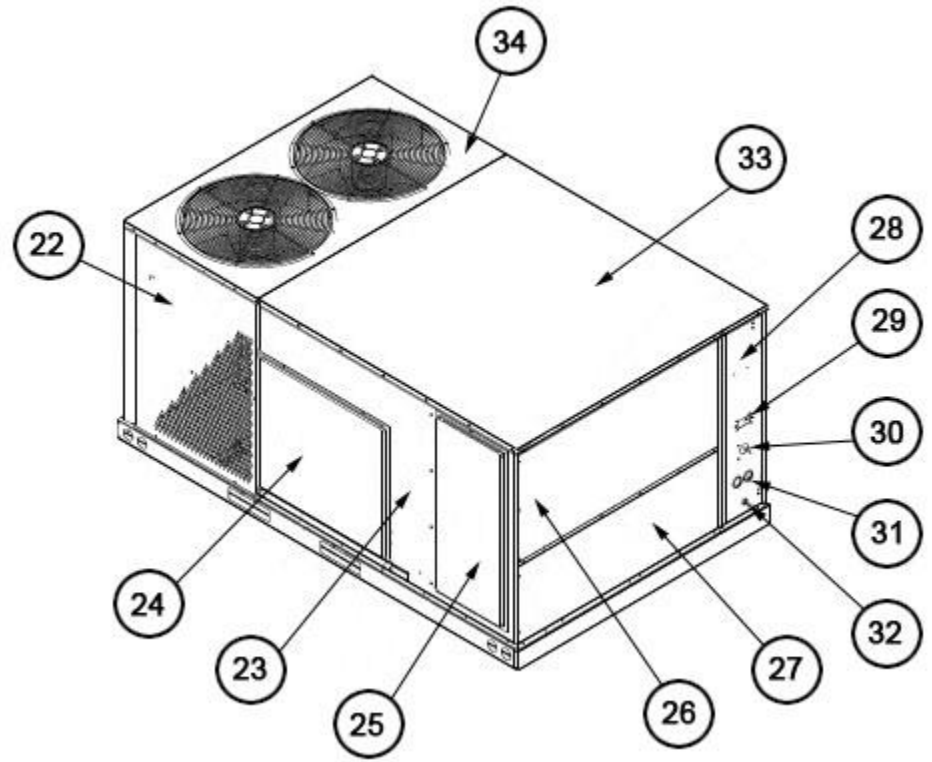
Compressor - Refrigeration Group 072



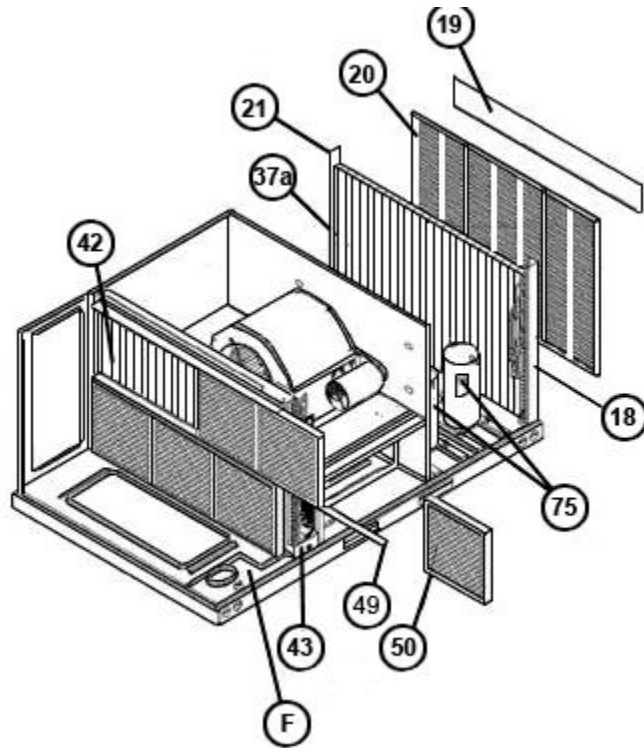
Exploded View 090-151



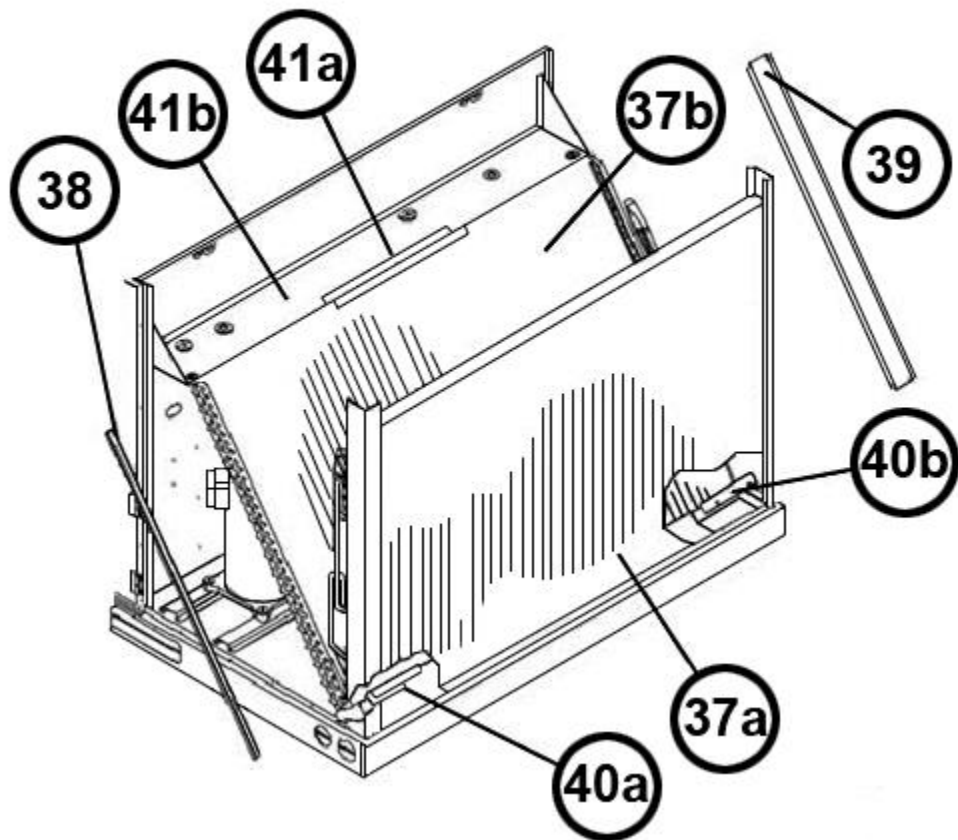
Exterior - Front 090-151



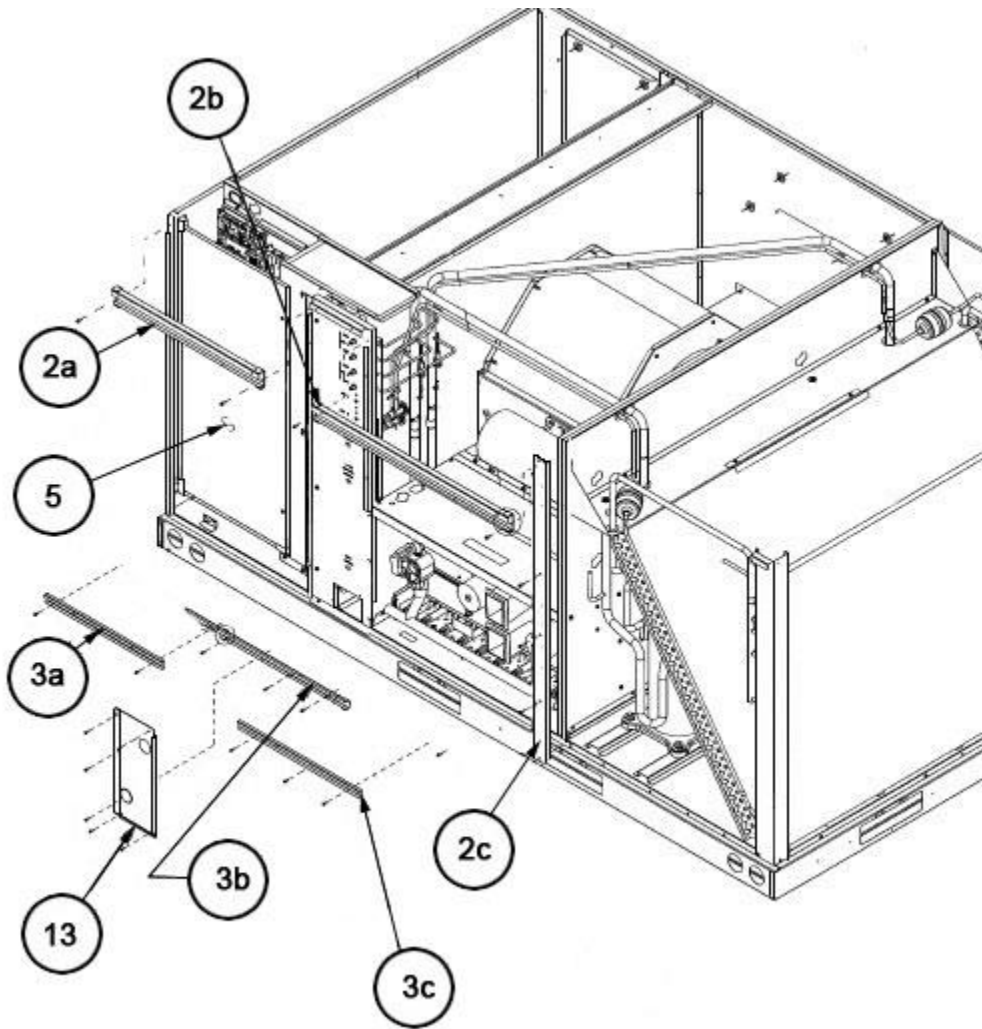
Exterior - Back 090-151



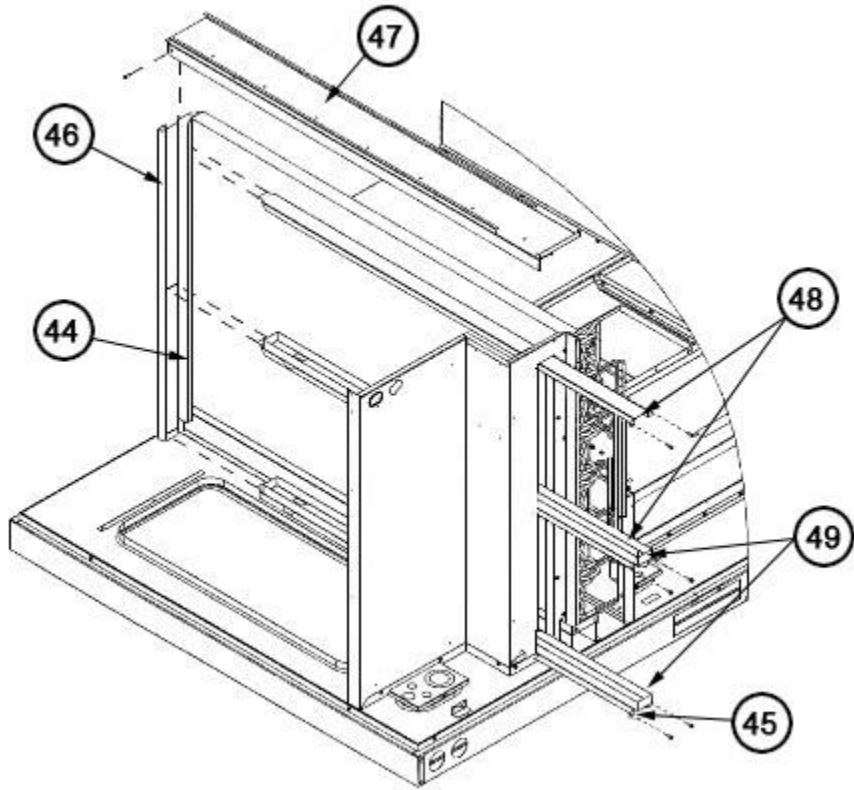
Filter-Coil Assembly 090-151



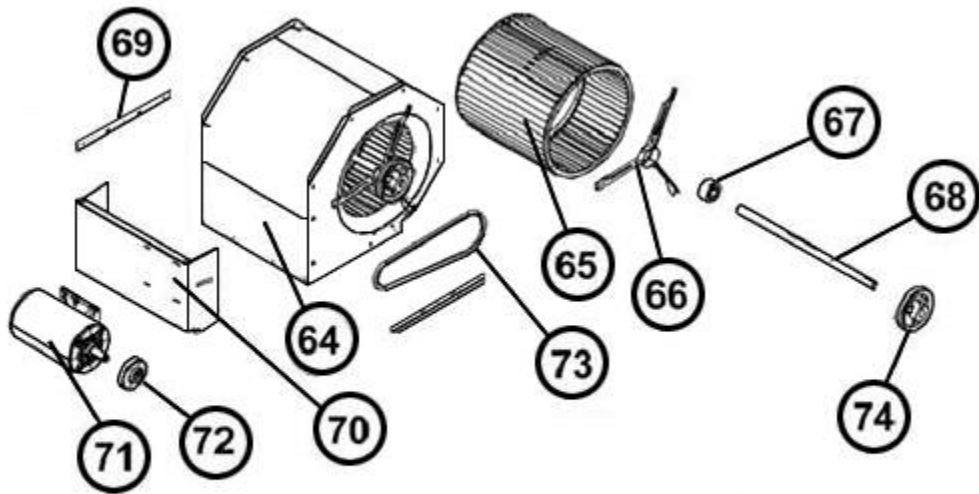
Condenser Coil Assembly 090-151



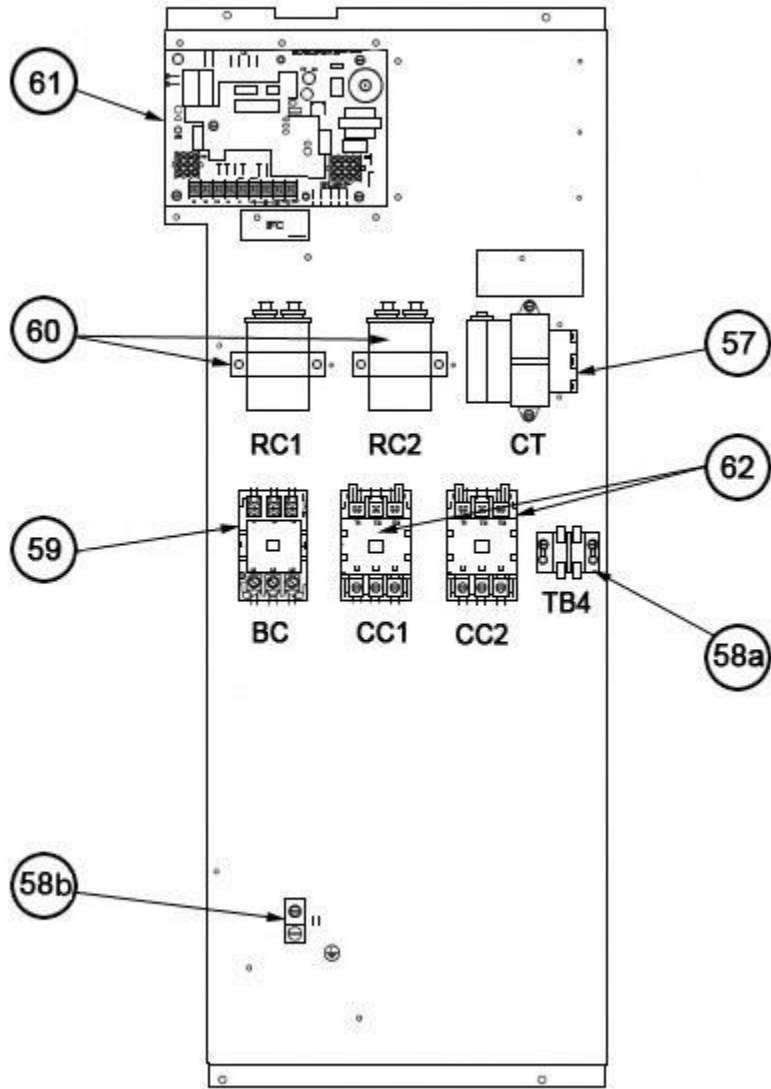
Front Panel Brackets 090-151



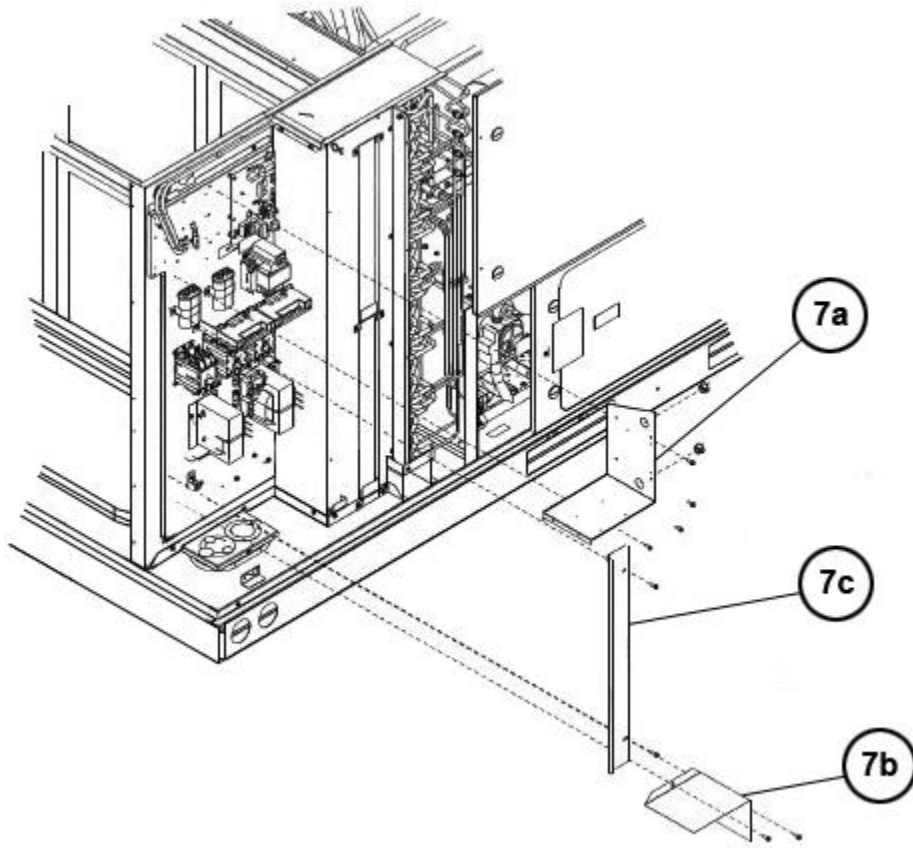
Filter Frame Assembly 090-151



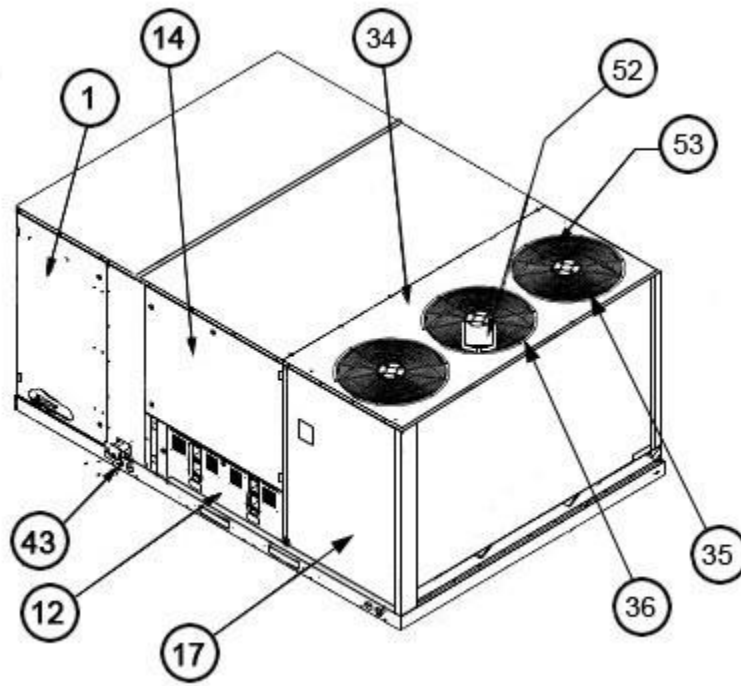
Blower Assembly 090-151



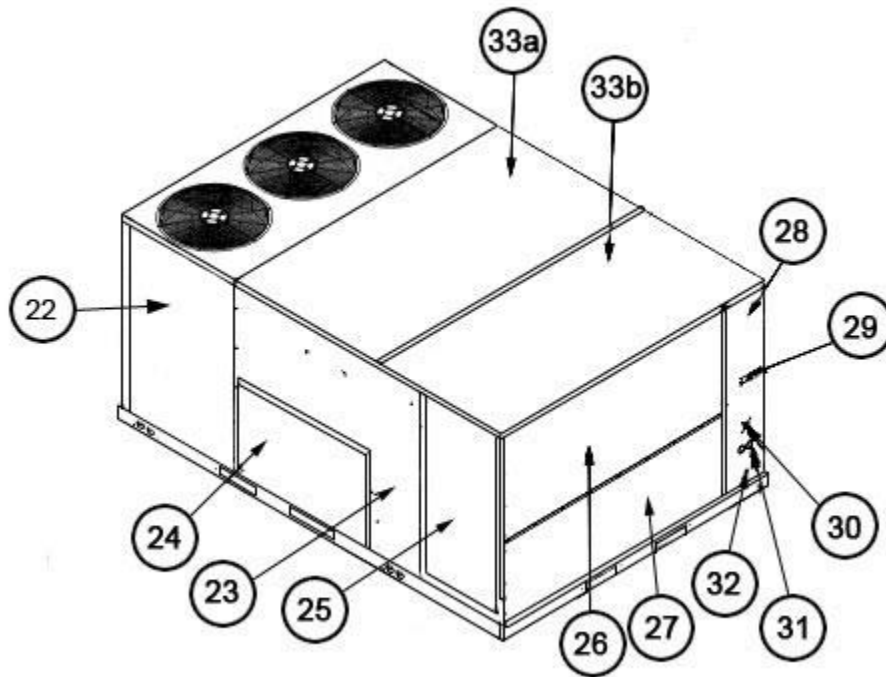
Control Box 090-151



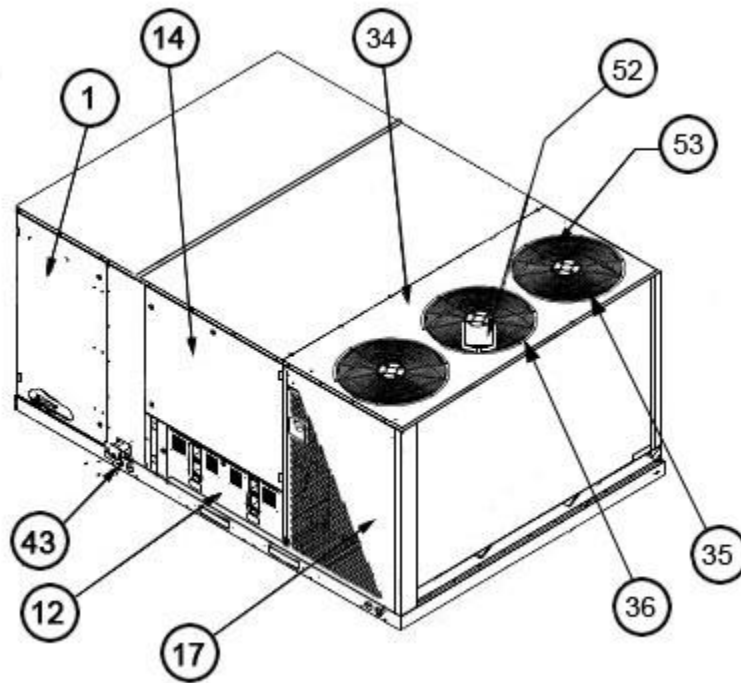
Low Voltage Shields 090-151



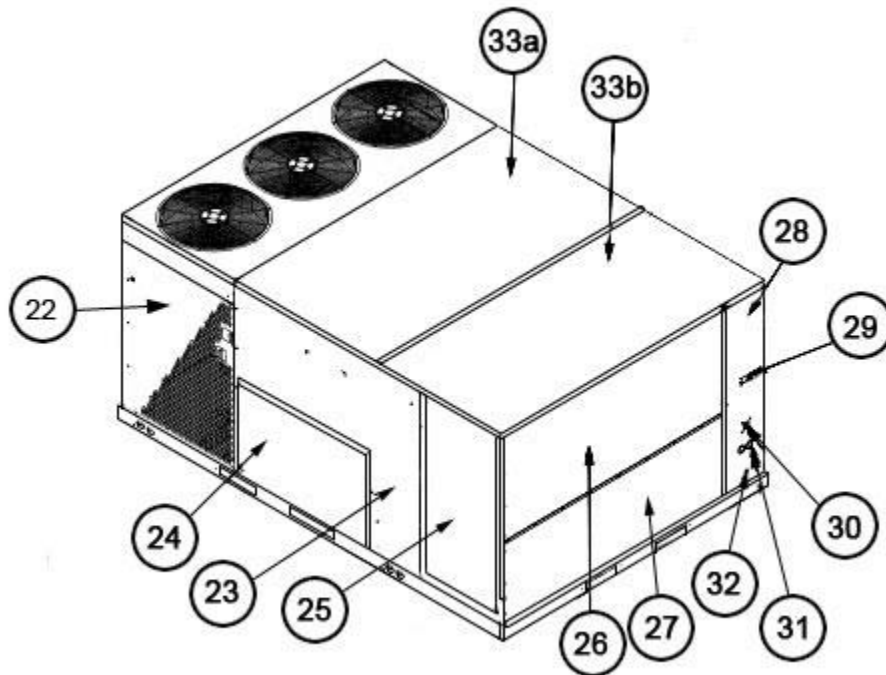
Exterior - Front 180



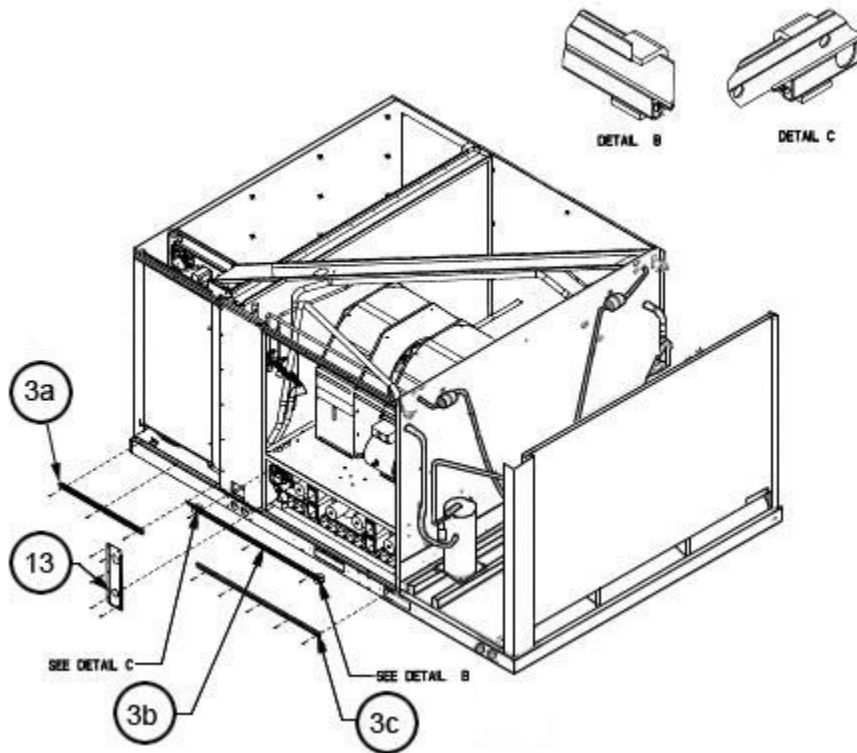
Exterior - Back 180



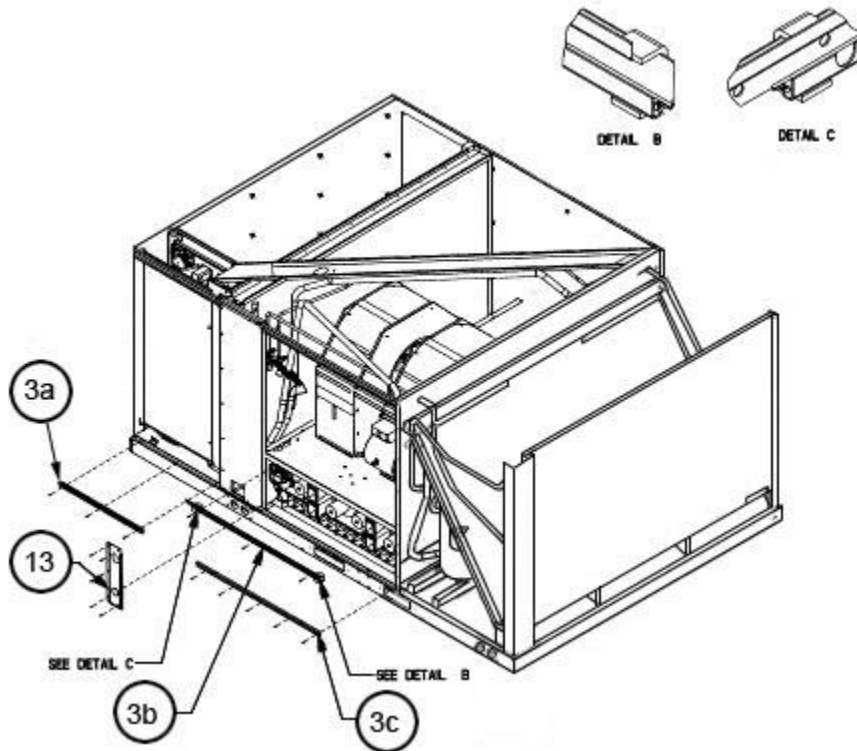
Exterior - Front 240



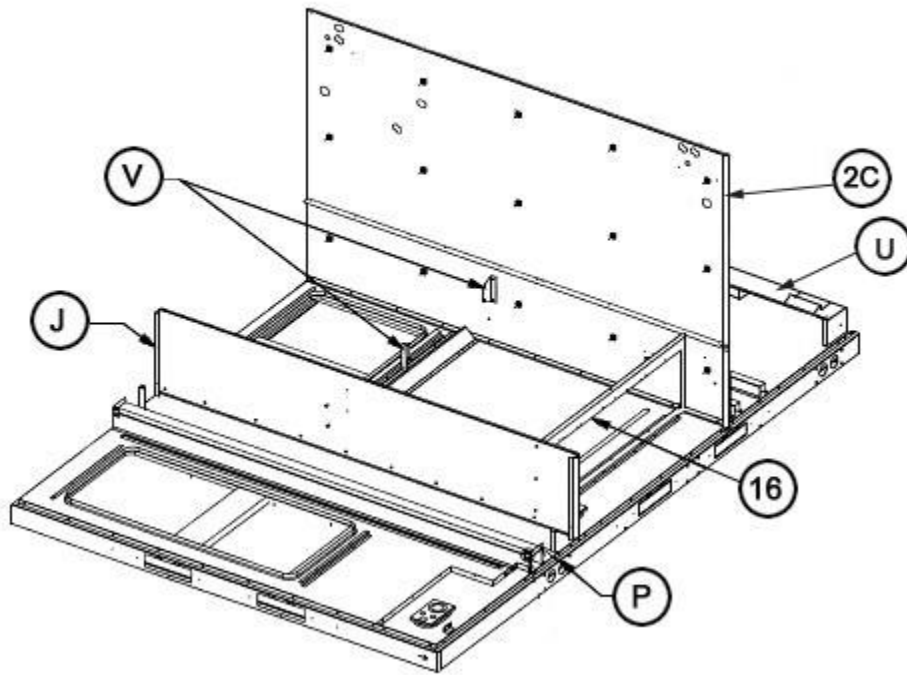
Exterior - Back 240



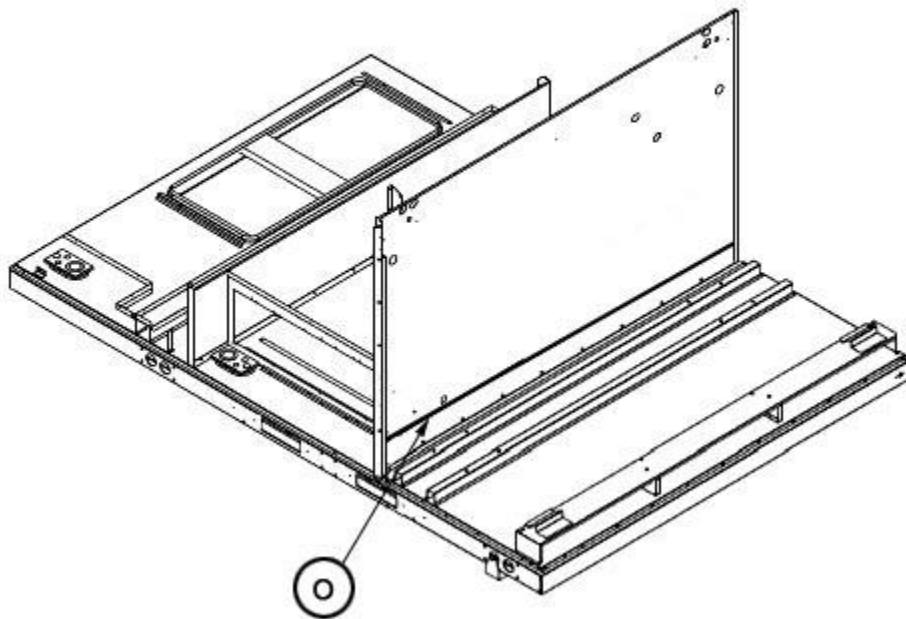
Front Panel Brackets 180



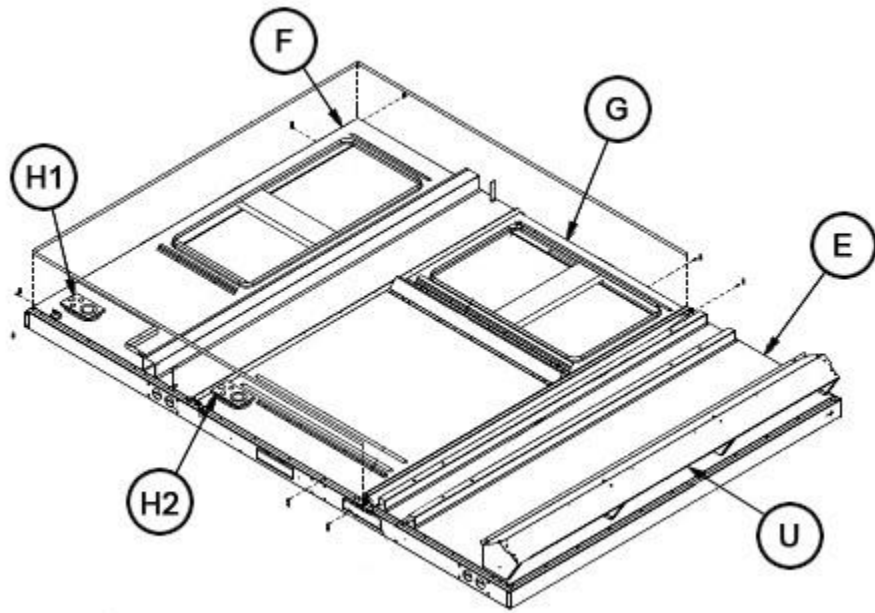
Front Panel Brackets 240



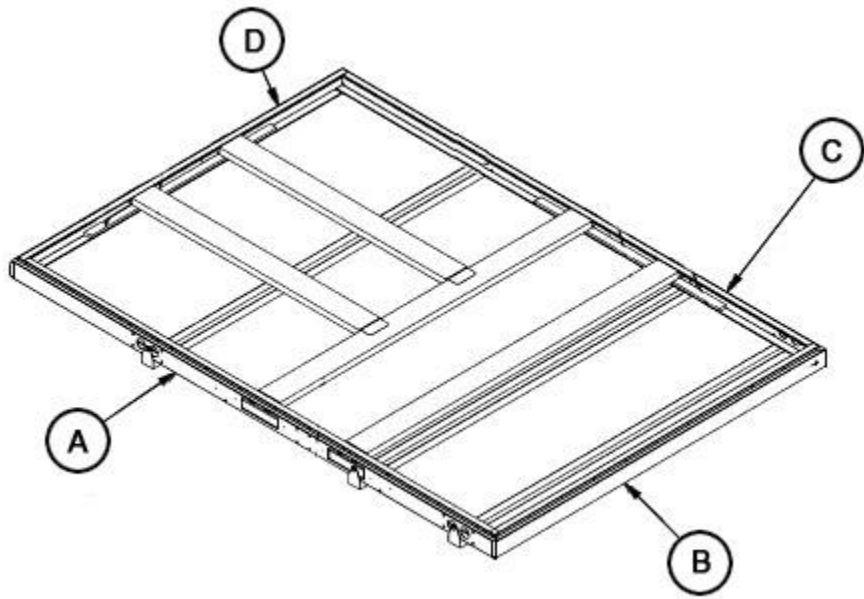
Heat Compartment 180-240



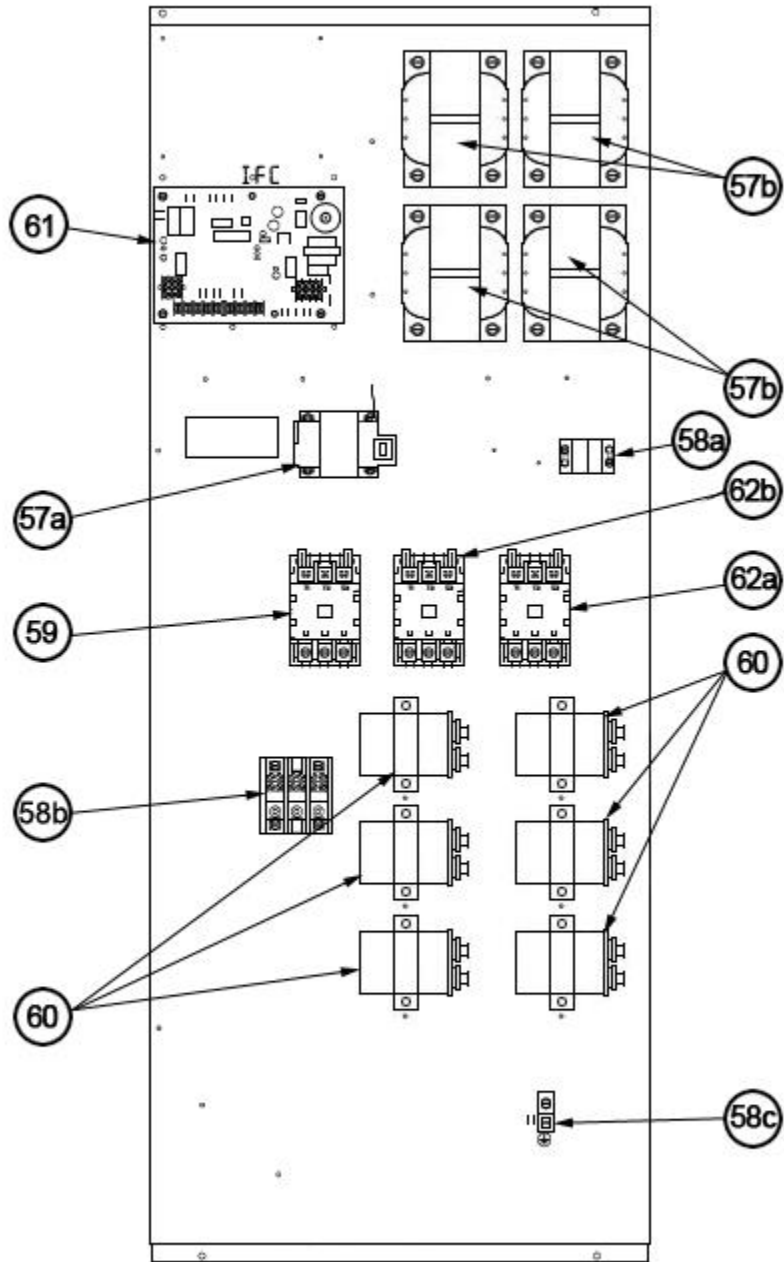
Condenser Bulkhead 180-240



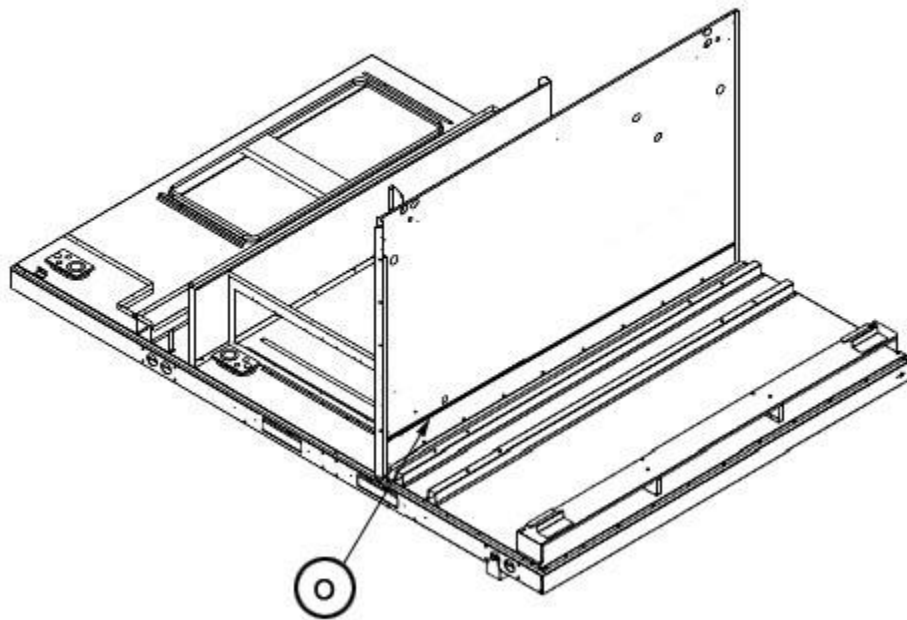
Base Pan Assembly 180-240



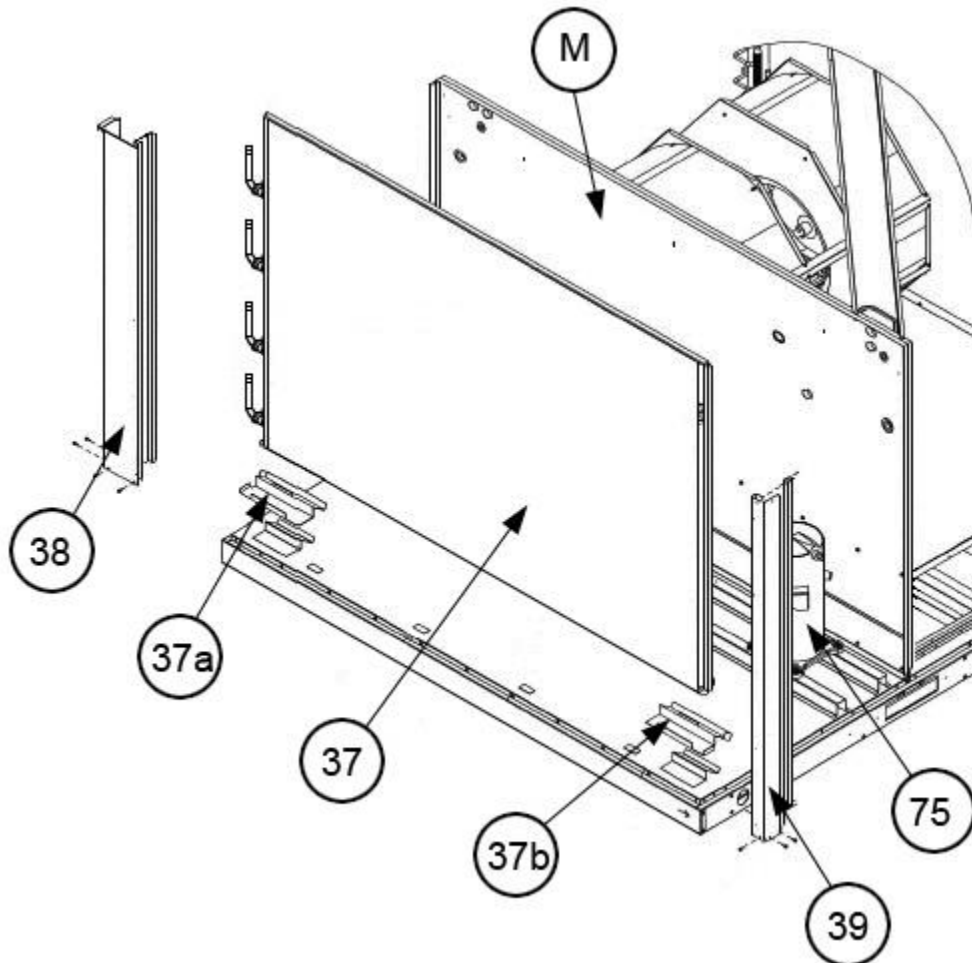
Base Rail Assembly 180-240



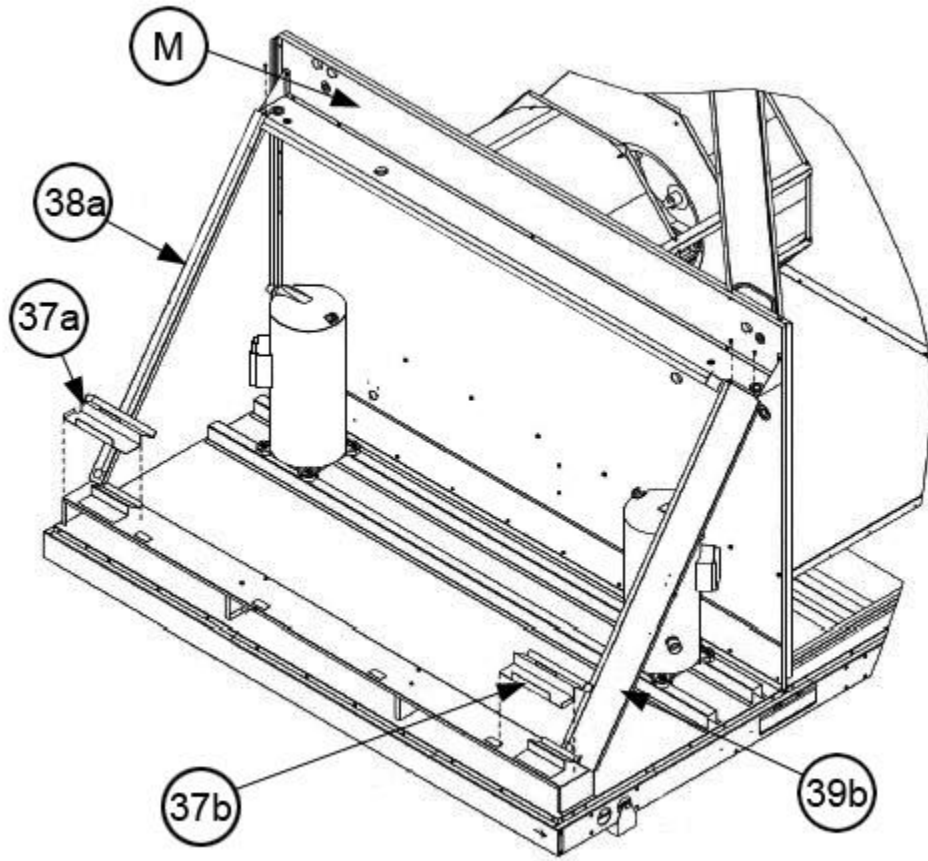
Control Box 180-240



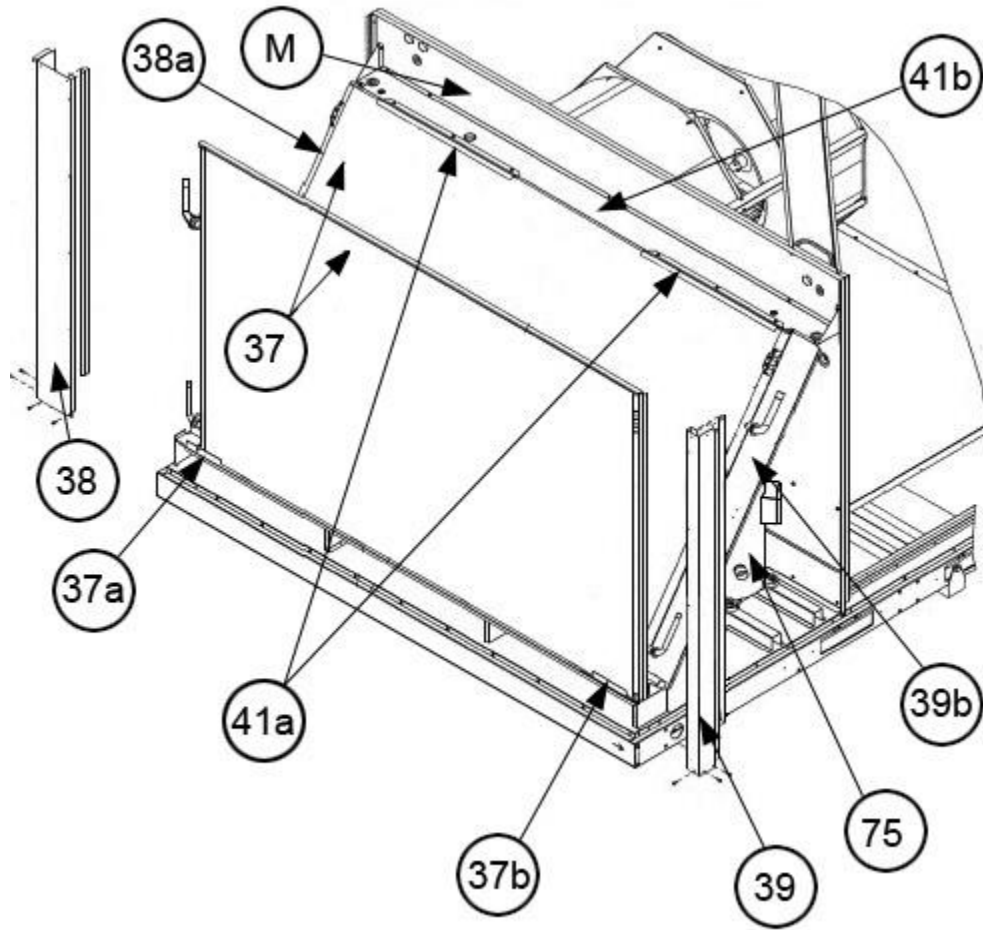
Condenser Bulkhead 180-240



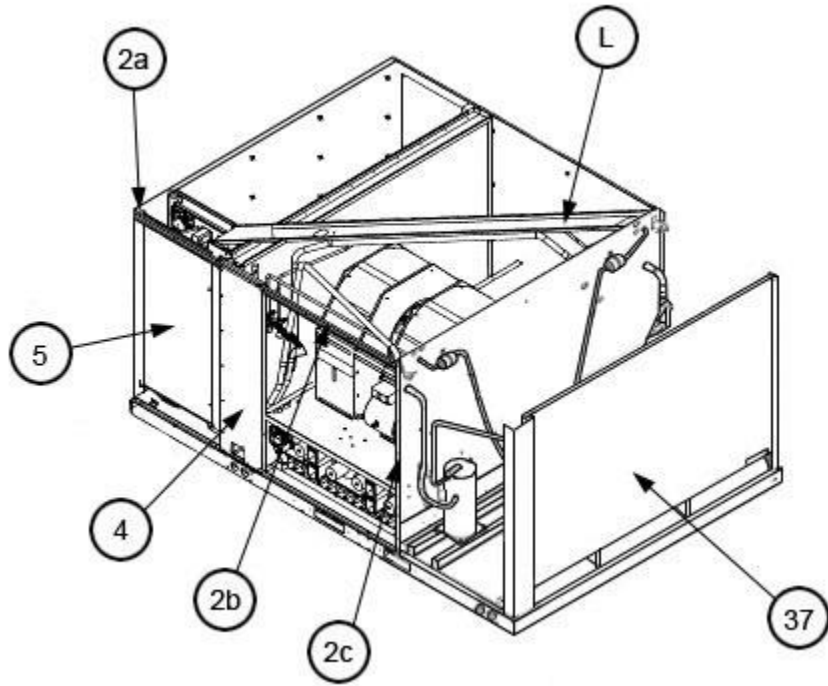
Condenser Coil 180



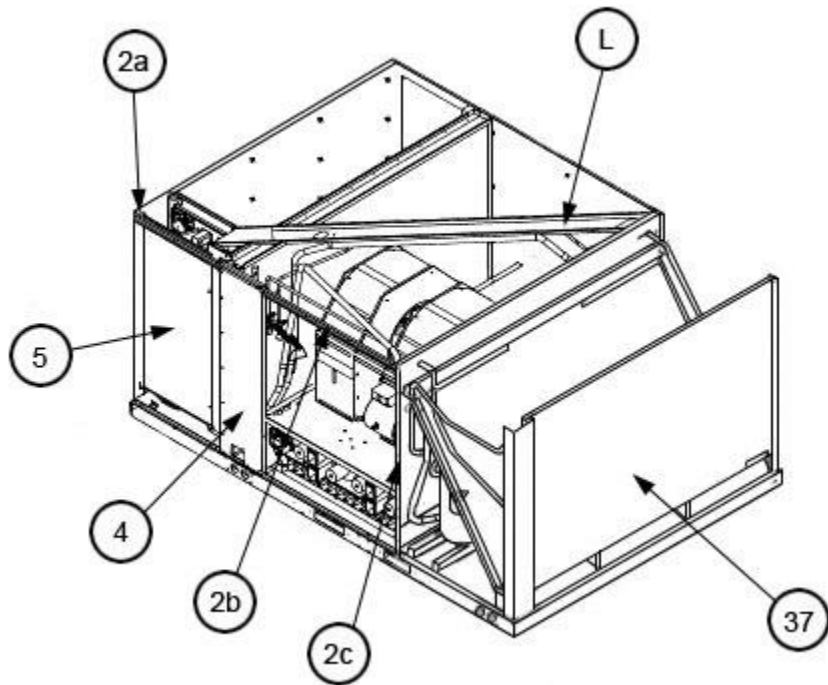
Condenser Coil Airstop - 240



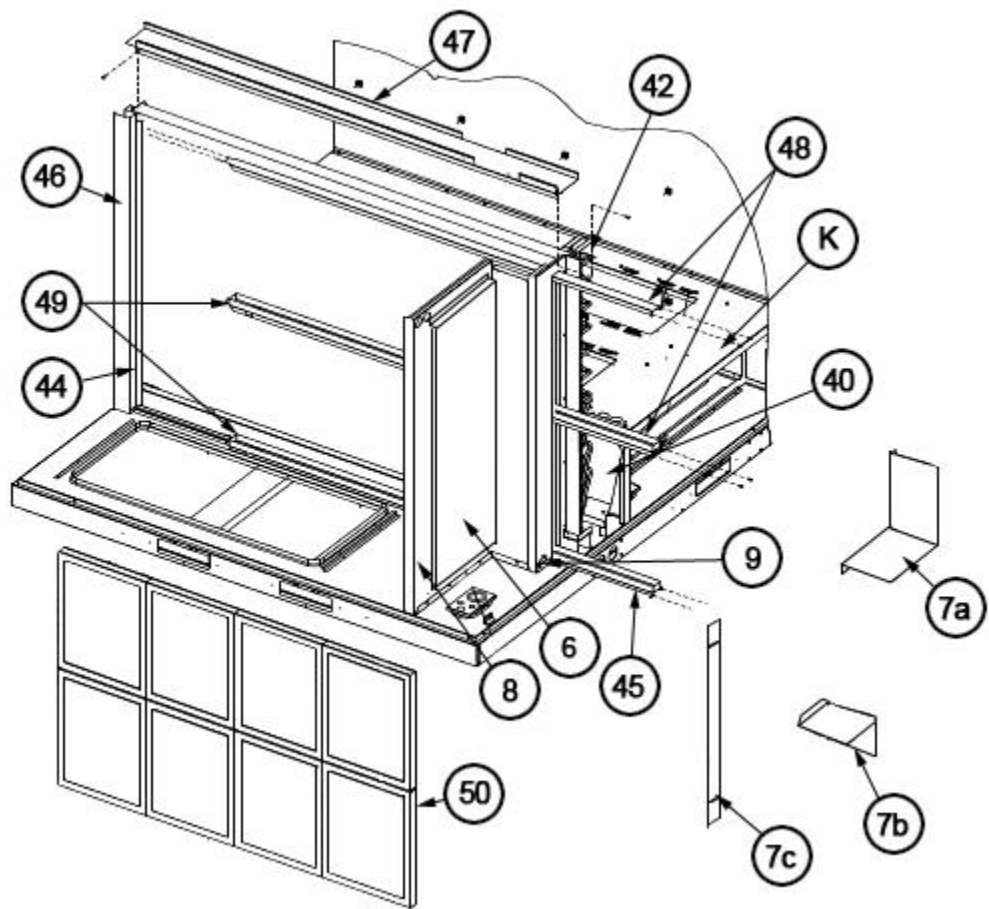
Condenser Coil - 240



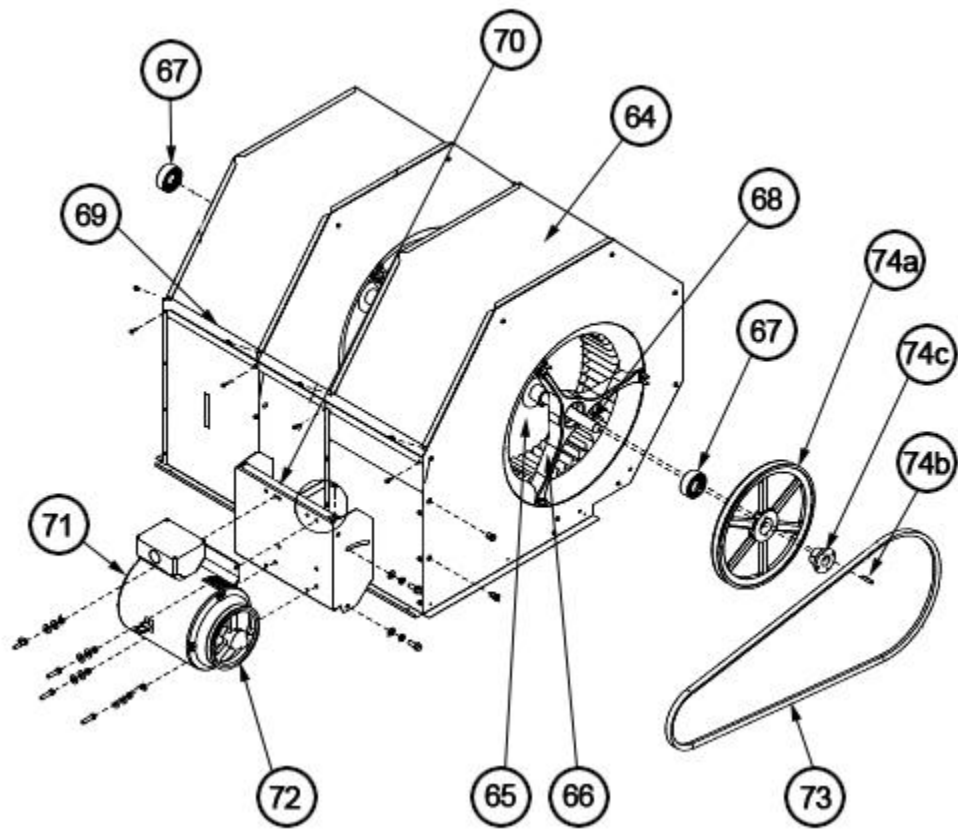
Interior - Front 180



Interior - Front 240



Filter Frame - Low Voltage Shields 180-240



Blower Assembly 180-240

NOTES

Stk It is recommended that stock be maintained for this part.

N/A Not Applicable

- 1 Older (Before F1811) filter frame components are not individually compatible with newer (After F1811) filter frame components. Depending upon availability of older (Before F1811) components, it may be necessary to replace entire filter frame assembly (Air Stops - Bottom and Side, Filter Channels and Filter Slides) with the newer style (After F1811) components.

DISCLAIMER: This document is intended to provide general replacement parts information to aid qualified service personnel in the repair of these models. The complete Model and Serial Number of the unit under repair should be specified when selecting and ordering replacement parts. Specifications and illustrations are subject to change without notice. Document 92-42800-RLKL-B supersedes all previous parts lists for these models. See <http://www.rheempartslists.net/92-42800-RLKL-B> for the latest revision of this document. The manufacturer assumes no obligation for errors or omissions. Service personnel must verify the proper and safe operation of equipment after the replacement of any original components.