



RLHL-C

Parts List
02-October-2017



*This parts list is current as of the above revision date.
See <http://www.rheempartslists.net/92-42800-RLHL-C.pdf> for the current revision.*

Package Air Conditioners - Commercial

Table of Contents

Model Explanation	Page 3
Parts Numbers	
Panels - Miscellaneous (1)	Page 4
Panels - Miscellaneous (2)	Page 5
Electrical-Fan Group	Page 6
Blower Group	Page 7
Coil Parts	Page 8
Compressor Group	Page 9
Heater Kits	Page 10
Accessories	Page 11
Drawings/Photographs	
Exploded View 120	Page 12
Exterior - Front 120	Page 13
Exterior - Back 120	Page 13
Interior - Front 120	Page 14
Filter-Coil Assembly 120	Page 15
Condenser Coil Assembly 120	Page 15
Front Panel Brackets 120	Page 16
Filter Frame Assembly 120	Page 17
Blower Assembly 120	Page 17
Control Box 120 After F3512	Page 18
Control Box 120 Before F3512	Page 19
Low Voltage Shields 120	Page 20
Hybrid Assembly 120	Page 21
Notes/Disclaimer	Page 22

MODEL NUMBER EXPLANATION

R	L	H	L	-	C	120	C	L	000	AA	B
1	2	3	4		5	6	7	8	9	10	11

- | | |
|------------------------------------------------------------------------------------------------------------------------------------------------------------------------------------------------------------------------------------------------------------------------------------------------------------------------------------------------------------------------------------------------------|--------------------------------------------------------------------------------------------------------------------------------------------------------------------------------------------------------------------------------------------------------------------------------------------------------------------------------------------------------------------------------------------------------------------------------------------------------------------------------------------------------------------------------------------------------------------------------------------------------------------|
| <p>1 TRADE NAME</p> <p>2 L = PACKAGE AIR CONDITIONER Commercial</p> <p>3 EFFICIENCY DESIGNATION
H = Hybrid - Air Conditioner/Water Heater</p> <p>4 DESIGN SERIES
L = R-410A</p> <p>5 TECHNICAL VARIATION (DDC)</p> <p>6 COOLING CAPACITY (BTUH)
120 = 120,000</p> <p>7 ELECTRICAL DESIGNATION
C = 208-230/3/60
D = 460/3/60</p> | <p>8 DRIVE PACKAGE
L = Belt Drive
M = Belt Drive - High Static</p> <p>9 ELECTRIC HEAT- (Resistance Heat)
000 = No Resistance Heat
010 = 10 kW Resistance Heat
015 = 15 kW Resistance Heat
020 = 20 kW Resistance Heat
030 = 30 kW Resistance Heat
040 = 40 kW Resistance Heat
050 = 50 kW Resistance Heat</p> <p>10 OPTION CODES
AA = No Options</p> <p>11 ECONOMIZER OPTIONS
A = No Economizer
H = Single Enthalpy Economizer with Barometric Relief
J = Single Enthalpy Economizer with Barometric Relief and Smoke Detector</p> |
|------------------------------------------------------------------------------------------------------------------------------------------------------------------------------------------------------------------------------------------------------------------------------------------------------------------------------------------------------------------------------------------------------|--------------------------------------------------------------------------------------------------------------------------------------------------------------------------------------------------------------------------------------------------------------------------------------------------------------------------------------------------------------------------------------------------------------------------------------------------------------------------------------------------------------------------------------------------------------------------------------------------------------------|

SERIAL NUMBER EXPLANATION

1234	F	50	08	00001
1	2	3	4	5

- | | |
|---------------------------------------------------------------------------------|-------------------------------------------------------------------------------------------------------------------------------------------------------------------------------------|
| <p>1</p> <p>2</p> <p>3</p> <p>4</p> <p>5</p> | <p>COMPRESSOR IDENTIFICATION NUMBER</p> <p>PRODUCTION LOCATION:</p> <p>WEEK OF PRODUCTION</p> <p>YEAR OF PRODUCTION</p> <p>PRODUCTION NUMBER</p> |
|---------------------------------------------------------------------------------|-------------------------------------------------------------------------------------------------------------------------------------------------------------------------------------|

No.	Notes	MODEL TECHNICAL VARIATION COOLING CAPACITY	RLHL- C 120
PANELS - RAILS, BASE PANS, INSIDE CABINET			
BASE RAILS:			
A		Base Rail - Front	AE-90575-15
B		Base Rail - Right	AE-90576-03
C		Base Rail - Rear	AE-90575-04
D		Base Rail - Left	AE-90576-04
BASE PANS:			
E		Outdoor Coil Base Pan	AS-90577-15H
F		Indoor Coil Base Pan	AS-90577-12
INSIDE CABINET:			
G		Entry Plate	AE-90614-02
H		Entry Plate	AE-90614-01
J		Heat Compartment Side	AE-90598-11
K		Blower Deck	AS-90592-17
L		Wireway	AE-90718-05
M		Condenser Bulkhead	AS-90609-37

No.	Notes	MODEL TECHNICAL VARIATION COOLING CAPACITY	RLHL- C 120
PANELS - FRONT			
1		Control Box Door Assembly - w/Hinges, Latch, Gasket, Insulation	AS-102872-14H
2a		Bracket - Top Panel (Left)	AS-102859-16H
2b		Bracket - Top Panel (Center)	AS-102859-15H
2c		Post - Blower Section	AS-102682-12H
3a		Bracket - Bottom Panel (Left)	AS-102859-17H
3b		Bracket - Blower/Heater Compartment	AS-102859-14H
3c		Bracket - Bottom Panel (Right)	AS-102859-13H
		Latch Assembly - Control Box Door (2)	64-102855-01
4		Post Assembly - Indoor Coil Section	AS-90620-18H
5		Control Box Cover	AE-90713-02
6		Control Mounting Plate	AE-90712-06
7a		Low Voltage Shield (Before F3512) - Upper Straight	AE-90742-08
7a		Low Voltage Shield (After F3512) - Upper Angled	AE-90742-12
7b		Low Voltage Shield (Before F3512) - Lower	AE-90742-03
7b		Low Voltage Shield (After F3512) - Lower	AE-90742-11
7c		Low Voltage Shield - Middle Strip	AE-90742-09
8		Control Box Back Insulation Assembly	AS-90601-06
9		Mounting Bracket	AE-90779-02
10		Electric Heat Blockoff Plate Assembly (models with no heat)	AS-90720-02
11		Terminal Block	45-42548-02
12		Electric Heat Access Panel Assembly - w/Hinges, Latch, Gasket, Insulation	AS-102872-18H
		Latch Assembly - Electric Heat Door (2)	64-102855-01
13		Power Entry Plate Assembly (plate and cover)	AS-90774-11H
13a		Power Entry Plate	AS-90728-15H
13b		Cover - Power Entry Plate	AS-90728-05H
14		Blower Access Panel Assembly - w/Hinges, Latch, Gasket, Insulation	AS-102872-16H
		Latch Assembly - Blower Access Panel (3)	64-102855-01
16		Heat Mounting Frame Assembly	AS-90754-02
17		Condenser Coil Access Panel-Front	AS-90631-11H
18		Front Corner Post	AS-90701-05H

No.	Notes	MODEL TECHNICAL VARIATION COOLING CAPACITY	RLHL- C 120
PANELS - RIGHT, REAR AND LEFT SIDES			
		RIGHT:	
19		Air Stop	N/A
20		Louver Panel Assembly	AS-90789-01H
		REAR:	
21		Rear Corner Post	AS-90702-04H
22		Condenser Coil Access Panel-Rear	AS-90631-12H
23		Rear Panel	AS-90618-12H
24		Supply Cover	AS-90626-02H
25		Return Cover	AS-90628-02H
		LEFT:	
26		Upper Left Panel	AS-90624-03H
27		Lower Left Panel	AS-90624-04H
28		Left Corner Panel	AS-90755-07H
29		Plate - Receptacle	AS-90756-02H
30		Plate - Disconnect	AS-90756-03H
31		Button Plug (2)	45-22980-06
32		Button Plug	45-22980-05
		TOP:	
33		Top Panel Assembly	AS-90616-06H
34		Condenser Top Panel	AS-90703-08H
35		Venturi	AS-90632-03H (2)
36		Wire Grille	95-100906-09 (2)
43		Drain Pan - Removable	See Coil Group

No.	Notes	MODEL TECHNICAL VARIATION COOLING CAPACITY ELECTRICAL DESIGNATION	RLHL- C 120 C	RLHL- C 120 D
ELECTRIC GROUP				
		Outlet Box	45-41952-02	45-41952-02
		Receptacle Cover	45-41953-02	45-41953-02
		Receptacle - Ground Fault	45-41954-01	45-41954-01
CONTROL BOX COMPONENTS (57a - 62):				
57a	Stk	Transformer - Control	46-42515-04	46-42515-05
57b	Stk	Transformer - Step Down	N/A	46-103972-02
58a		Double Row Terminal Block	45-42548-02	45-42548-02
58b		Ground Lug	45-19000-02	45-19000-02
59a	Stk	Contactora - Blower	42-102664-08	42-102664-08
59b	Stk	Relay - Outdoor Fan	42-102234-01	42-102234-01
59c	Stk	Relay - Water Shutoff	42-102234-01	42-102234-01
60		Capacitor - Fan Motor	See Fan Group	
61a		Unit Controller (RTU-C)	47-102883-02	47-102883-02
61b		eSYNC Controller	47-104045-01	47-104045-01
62	Stk	Compressor Contactor	42-102664-26	42-102664-26
		Pressure Switch Assembly - (Clogged Filter and Fan Proving)	42-103320-27	42-103320-27
		Comfort Alert	42-101504-03	42-101504-03
		Low Ambient Control Assembly	AS-103034-01	AS-103034-01
		High Pressure Control	See Coil Group	
		Low Pressure Control	See Coil Group	
WIRING HARNESES:				
		Wiring Harness - Motor #1	See Fan Group	
		Wiring Harness - Motor #2	See Fan Group	
		Plug Harness - Compressor	See Compressor Group	
		Wiring Harness - Main Power	45-42522-09	45-42522-09
		Wiring Harness - 6 Pin to Heater Kit	45-102706-09	45-102706-09
		Wiring Harness - Outdoor Fan Motor #1	See Fan Group	
		Wiring Harness - Outdoor Fan Motor #2	See Fan Group	
		Wiring Harness - Economizer (Twist-Loc, 12 Pin and 4 Pin to 9 Pin)	45-42522-100	45-42522-100
		Jumper - Configuration Plug (7 Pin Connector)	45-42522-103	45-42522-103
		Wiring Harness - Compressor Control (14 Pin and Two 2 Pin Connectors and Two Temperature Sensors)	45-42522-106	45-42522-106
		Wiring Harness - eSYNC Control Board to Rooftop Control Board (4 Pin to 4 Pin)	45-42522-95	45-42522-95
		Wiring Harness - Clogged Filter Switch/Fan Proving Switch (8 Pin to 4 Connectors and 2 Temperature Sensors)	45-42522-98	45-42522-98
		Wiring Harness - Pressure Transducer (Refrigerant)	45-104130-02	45-104130-02
		Plug Harness - Compressor	See Compressor Group	
		Bypass Plug - Economizer (12 Pin)	AS-61997-55	AS-61997-55

No.	Notes	MODEL TECHNICAL VARIATION COOLING CAPACITY ELECTRICAL DESIGNATION	RLHL- C 120 C	RLHL- C 120 D
FAN GROUP				
52	Stk	Fan Motor (2)	51-42534-24	51-42534-25
		Wiring Harness - Motor #1 (5 wire)	45-102706-18	45-102706-18
		Wiring Harness - Motor #2 (3 wire)	45-102706-19	45-102706-19
53	Stk	Fan Blade (2)	70-42572-04	70-42572-04
60	Stk	Capacitor - Fan Motor (2)	43-100496-12	43-100496-12

No.	Notes	MODEL	RLHL-	RLHL-
		TECHNICAL VARIATION	C	C
		COOLING CAPACITY	120	120
		DRIVE PACKAGE	L	M
BLOWER ASSEMBLY GROUP - BELT DRIVE				
64	Stk	Blower Assembly (Includes Items 65-68)	AS-90757-01	AS-90757-01
65	Stk	Blower Wheel	70-42540-02	70-42540-02
66		Bearing Frame Tri-Arm (2)	70-42540-05	70-42540-05
67		Bearing with Bearing Lock (2)	70-41854-02	70-41854-02
68	Stk	Blower Shaft	70-42540-04	70-42540-04
69		Blower Mounting Angles (2)	AE-90708-01	AE-90708-01
		Blower Angle Stop	AE-90709-02	AE-90709-02
70		Motor Mount	AE-90710-04	AE-90710-04
71	Stk	Blower Motor (C/D Voltages)	51-42536-01	51-42537-01
72	Stk	Variable Sheave	71-42538-02	71-42538-02
73	Stk	Belt	71-40438-27	71-40438-23
74	Stk	Fixed Sheave	71-100774-02	71-100774-04
		Key	94-42551-09	94-42551-09
	Stk	Bushing for Sheave w/Screws	71-100773-01	71-100773-01

No.	Notes	MODEL TECHNICAL VARIATION COOLING CAPACITY	RLHL- C 120
COIL GROUP			
EVAPORATOR COIL GROUP:			
42a	Stk	Evaporator Coil	AS-90656-85
42b	Stk	TXV	61-103900-01
42c		Valve Body	61-18542-01
42d		Valve Core	61-18551-01
42e		Valve Cap	83-100635-01
42f		Pressure Transducer	47-103454-01
42g		Bulkhead Valve (2)	61-22369-04
42h		Sensor Assembly - Liquid Line	47-103971-02
		Locknut - Bulkhead Valve (2)	63-22368-01
43	Stk	Drain Pan - Removable	68-102699-02
	Stk	Low Pressure Control (located next to indoor coil to bulkhead tube on indoor coil side)	47-101529-09
FILTER PIECES:			
44		Filter Frame	AE-90606-11
45		Air Stop - Bottom	AE-102712-10
46		Air Stop - Side	AE-102712-06
47		Top Air Stop Assembly	AS-90604-07
48		Filter Channel (2)	AE-102712-08
49		Filter Slide (2)	AE-102712-11
50		Filter (6)	54-42541-01
CONDENSER COIL GROUP:			
37a	Stk	Condenser Coil	65-101478-07
37b	Stk	Condenser Coil	65-101478-07
40a		Micro-Channel Coil Mounting Base - Left	68-102752-01
40b		Micro-Channel Coil Mounting Base - Right	68-102752-02
41a		Top Support - Condenser Coil	AE-90612-31
41b		Top Support - Condenser Bulkhead	AE-90612-26
41c	Stk	Filter Drier - Liquid Line	83-40386-05
		Strap - Filter Drier (2)	AE-102132-01
HYBRID ASSEMBLY GROUP:			
	Stk	High Pressure Control (on compressor discharge tube to 3 - way valve)	47-102290-01
81a		Heat Exchanger	65-103456-03
81b		Bracket - Heat Exchanger	AE-103878-22
82a	Stk	3-Way Valve	61-103902-02
82b		Support Bracket (3-Way Valve)	63-42109-01
82c		Capture Bracket (for 3-Way Valve)	AE-103878-12
83a		Flange Set - Water Pump	38-103141-07
83b	Stk	Water Pump (gaskets for each end - included)	38-103141-26
83c		Bracket - Water Pump	AE-103878-14
84a	Stk	Solenoid Coil (3)	61-103961-07
84b	Stk	Solenoid Valve (3)	61-103961-04
84c		Bracket - Solenoid Valve	AE-103878-17
84d		Capture Bracket (for Solenoid Valve Bracket)	AE-103878-23
85a		Valve Body	61-18542-01
85b		Valve Core	61-18551-01
85c		Valve Cap	83-100635-01
86	Stk	Check Valve (2)	61-103883-02
87a	Stk	Water Proving Switch Assembly	AS-104624-01
87b	Stk	Temperature Sensor (2)	47-103971-01
87c	Stk	Water Leak Sensor	62-103612-02
88a	Stk	Air Release Valve	61-103553-02
88b		Tee (1-1/2 x 1/1/2 x 3/4 NPT)	82-21547-04
88c		Copper Reducer (1-5/8 x 1-3/8 inch)	82-103904-01
89a		Wrot Union (2)	81-103937-01
89b		Water Supply Plate	AE-103878-37HT
	Stk	Brazing Rods - SILVALOY A56T	31265
	Stk	Brazing Flux for SILVALOY A56T	86-25254-09

No.	Notes	MODEL TECHNICAL VARIATION COOLING CAPACITY ELECTRICAL DESIGNATION	RLHL- C 120 C
COMPRESSOR GROUP			
		Compressor ID:	8502
75	Stk	Compressor	55-102471-01S
	Stk	Check Valve (2)	61-103883-01
	Stk	Plug Harness - Compressor	45-102706-20

No.	Notes	MODEL TECHNICAL VARIATION COOLING CAPACITY ELECTRICAL DESIGNATION	RLHL- C 120 D
COMPRESSOR GROUP			
		Compressor ID:	8504
75	Stk	Compressor	55-102471-04S
	Stk	Check Valve (2)	61-103883-01
	Stk	Plug Harness - Compressor	45-102706-20

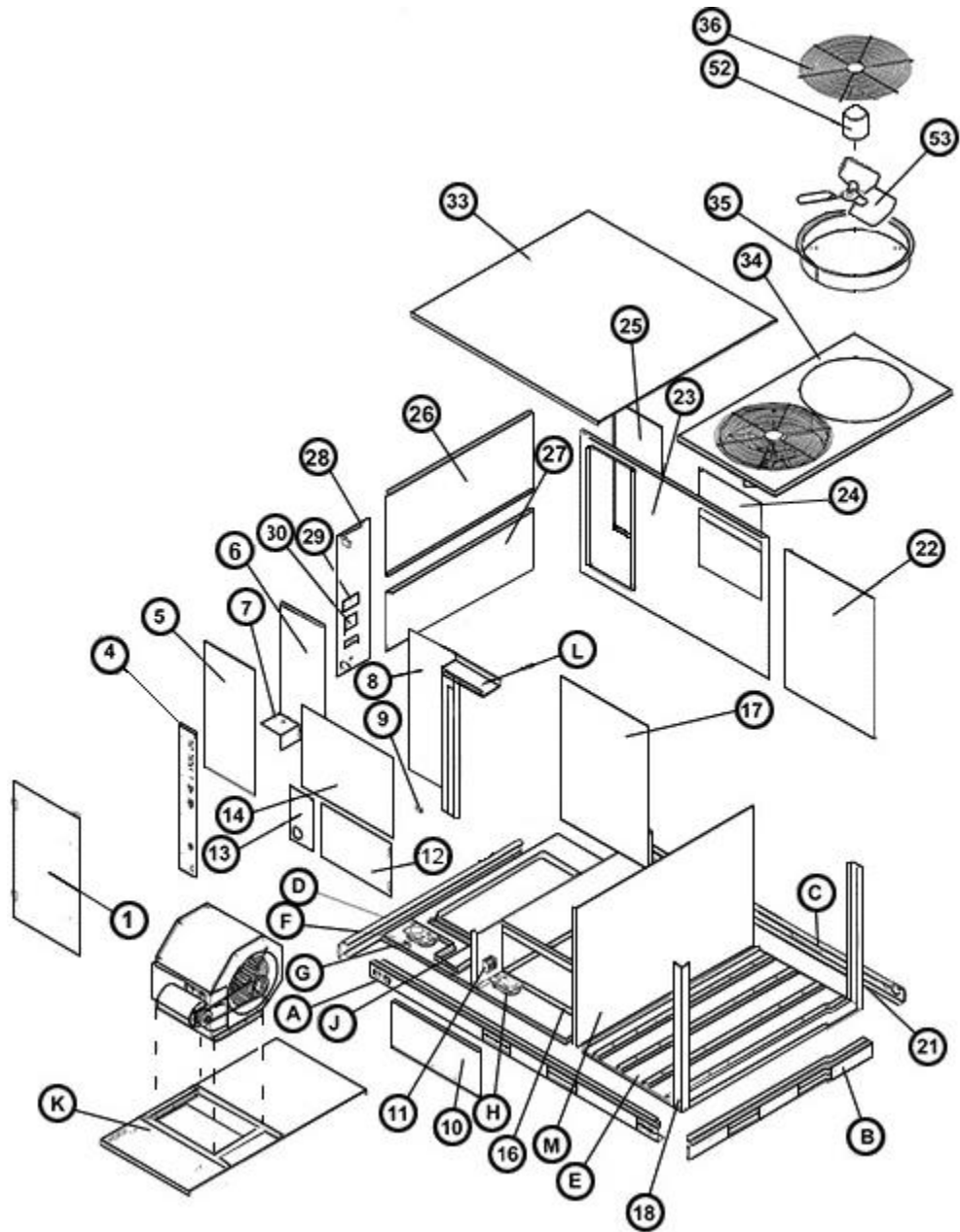
No.	Notes	MODEL	RLHL-	RLHL-	RLHL-	RLHL-	RLHL-
		TECHNICAL VARIATION	C	C	C	C	C
		COOLING CAPACITY	120	120	120	120	120
		ELECTRICAL DESIGNATION	C	C	C	C	C
ELECTRIC HEATER KITS							
		Electric Element Kits	RXJJ-CC10C	RXJJ-CC15C	RXJJ-CC20C	RXJJ-CC30C	RXJJ-CC40C
		Electric Element Kits	RXJJ-CC50C				

No.	Notes	MODEL	RLHL-	RLHL-	RLHL-	RLHL-	RLHL-
		TECHNICAL VARIATION	C	C	C	C	C
		COOLING CAPACITY	120	120	120	120	120
		ELECTRICAL DESIGNATION	D	D	D	D	D
ELECTRIC HEATER KITS							
		Electric Element Kits	RXJJ-CC10D	RXJJ-CC15D	RXJJ-CC20D	RXJJ-CC30D	RXJJ-CC40D
		Electric Element Kits	RXJJ-CC50D				

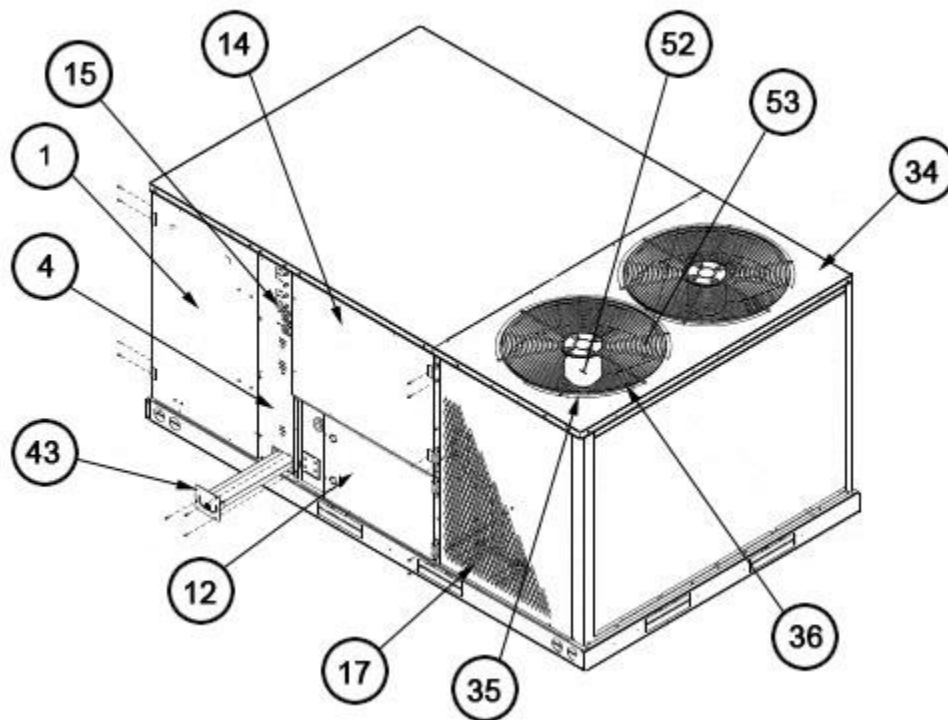
No.	Notes	MODEL TECHNICAL VARIATION COOLING CAPACITY	RLHL- C 120
ACCESSORIES			
		Louver Panel - Option	AXRX-AAD02A
		Carbon Dioxide Sensor	RXXR-AR02
		Dual Enthalpy Kit	RXXR-AV03
		Manual Fresh Air Damper (Return Panel)	AXRF-JDA1
		Manual Fresh Air Damper (Left Panel Mounted)	AXRF-KDA1
		Motor Kit for AXRF-KDA1	RXXR-AW02
		Modulating Motor Kit w/position feedback for RXXR-KDA1	RXXR-AW04
		Motorized Fresh Air Damper (Horizontal Return Mounted)	AXRF-JDB1
		Comfort Alert (1 Per Compressor)	RXXR-AZ01
		BACnet Communication Card	RXXR-AY01
		LonWorks Communication Card	RXXR-AY02
		Convenience Outlet - Option	RXXR-AN01
		Low Ambient Control Kit (1 Per Compressor)	RXRZ-C02

No.	Notes	MODEL TECHNICAL VARIATION COOLING CAPACITY	RLHL- C 120
ECONOMIZERS			
		Economizer - Single Enthalpy	AXRD-PJCM3
		Economizer - Single Enthalpy w/Smoke Detector	AXRD-SJCM3

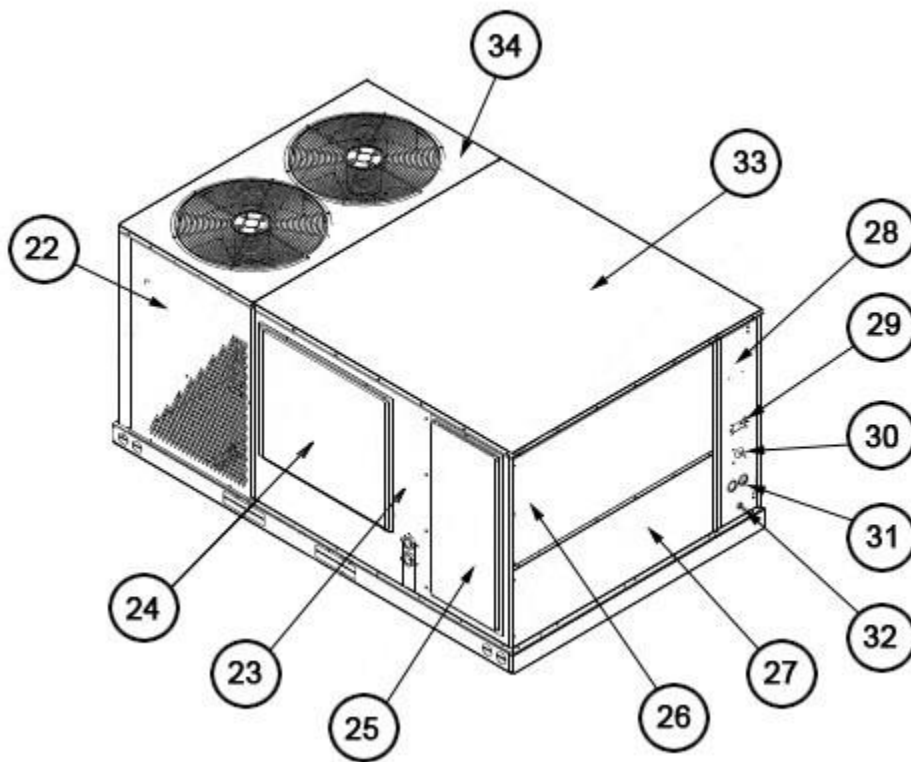
No.	Notes	MODEL TECHNICAL VARIATION COOLING CAPACITY	RLHL- C 120
POWER EXHAUST			
		Power Exhaust - 208/230 volt	RXXR-BFF02C
		Power Exhaust - 460 volt	RXXR-BFF02D



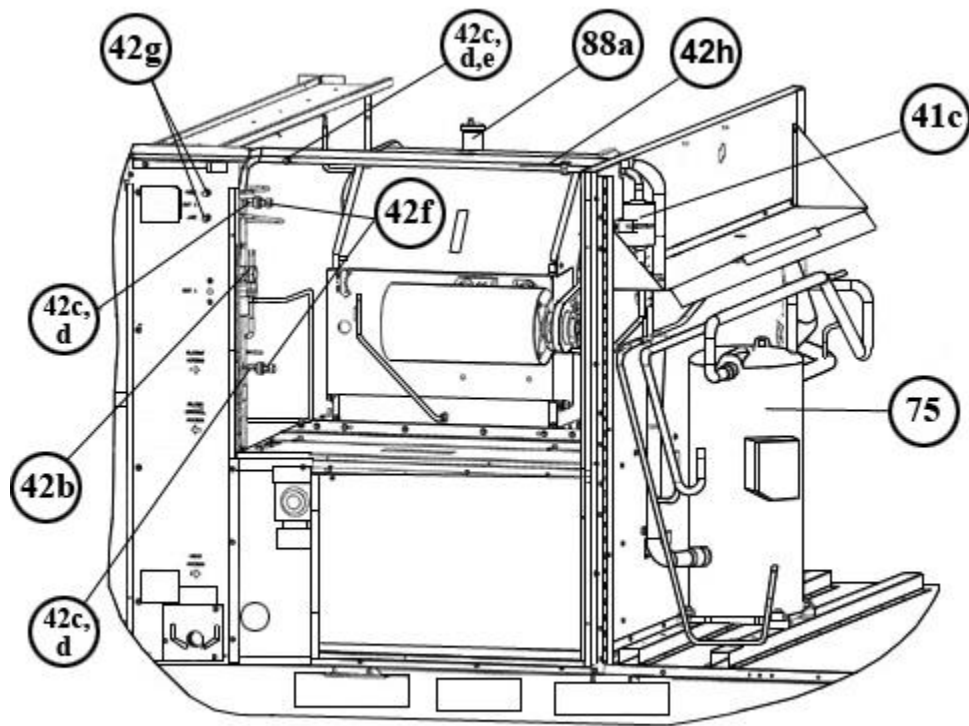
Exploded View 120



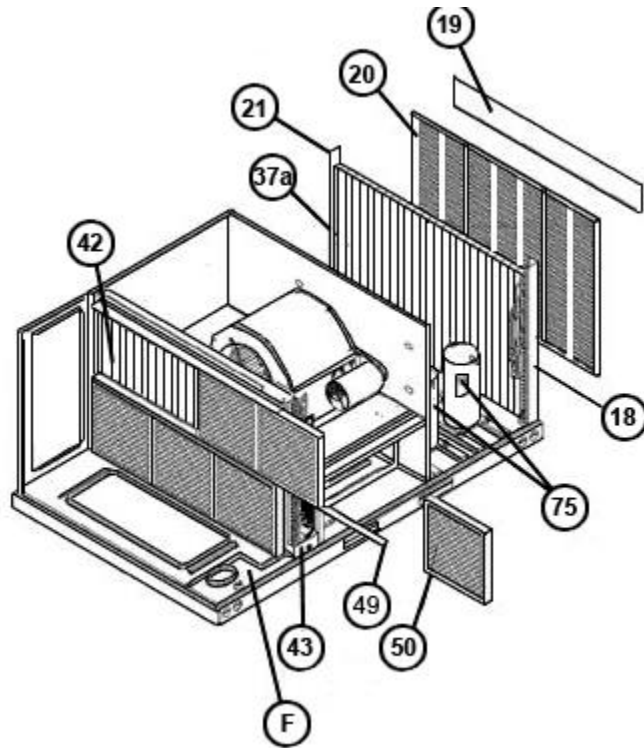
Exterior - Front 120



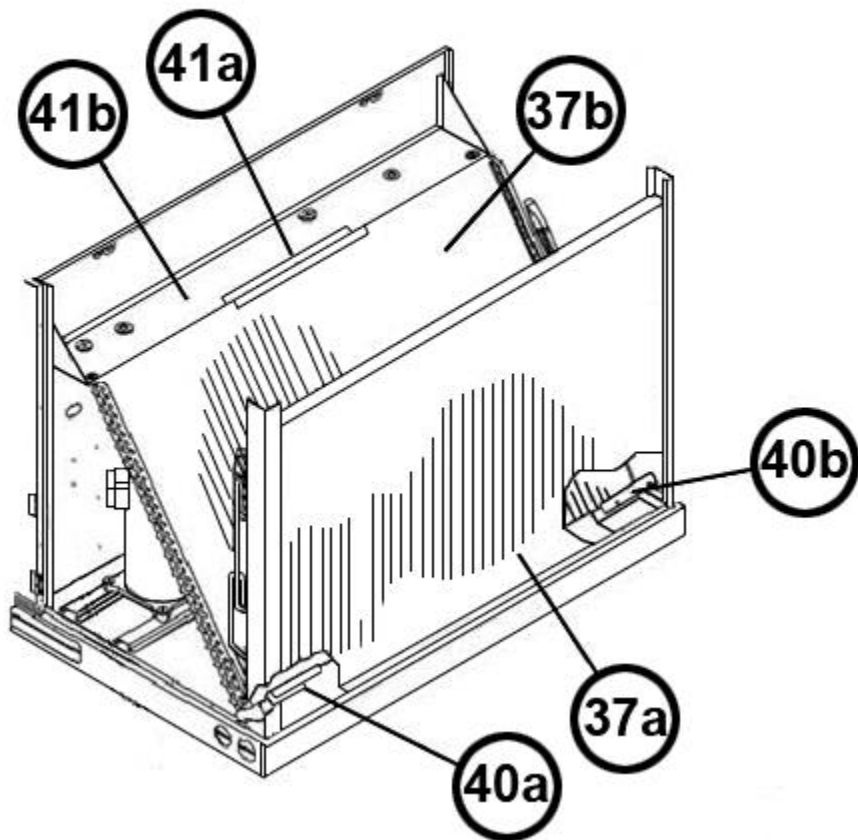
Exterior - Back 120



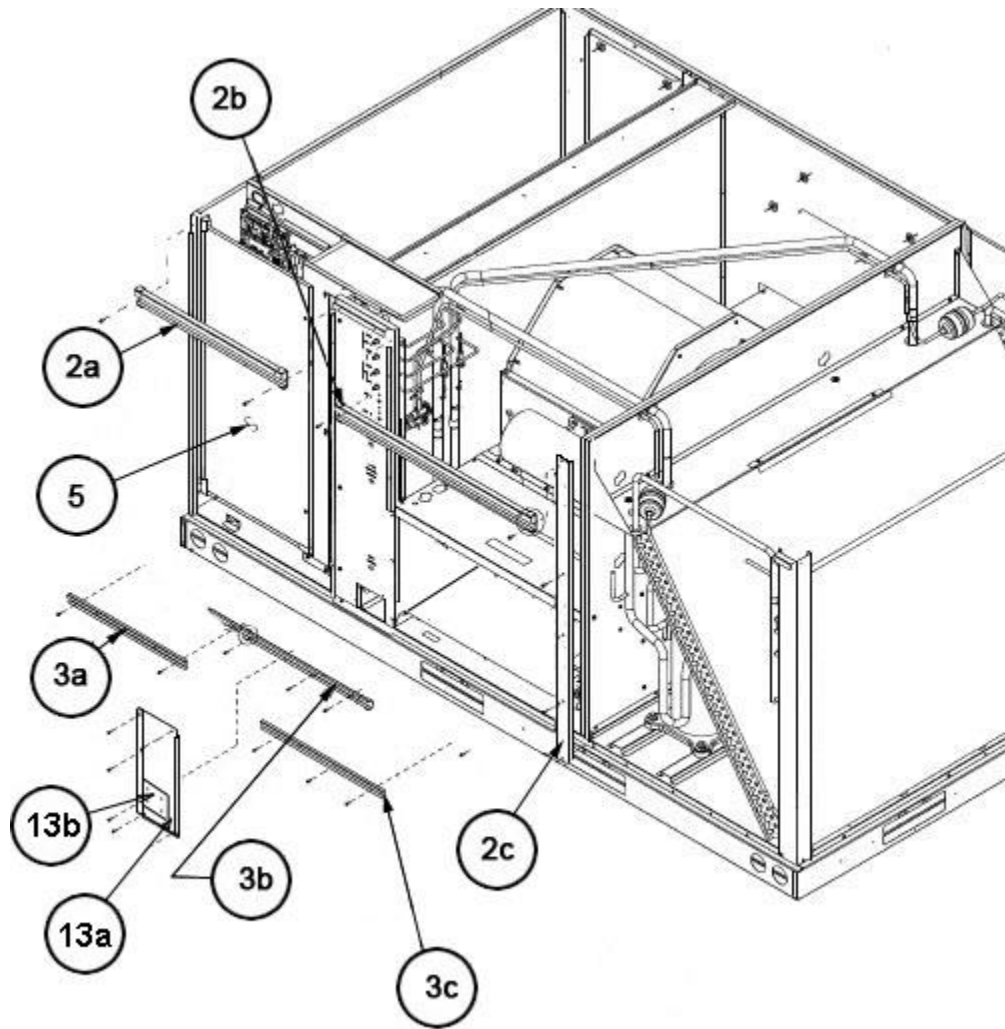
Interior - Front 120



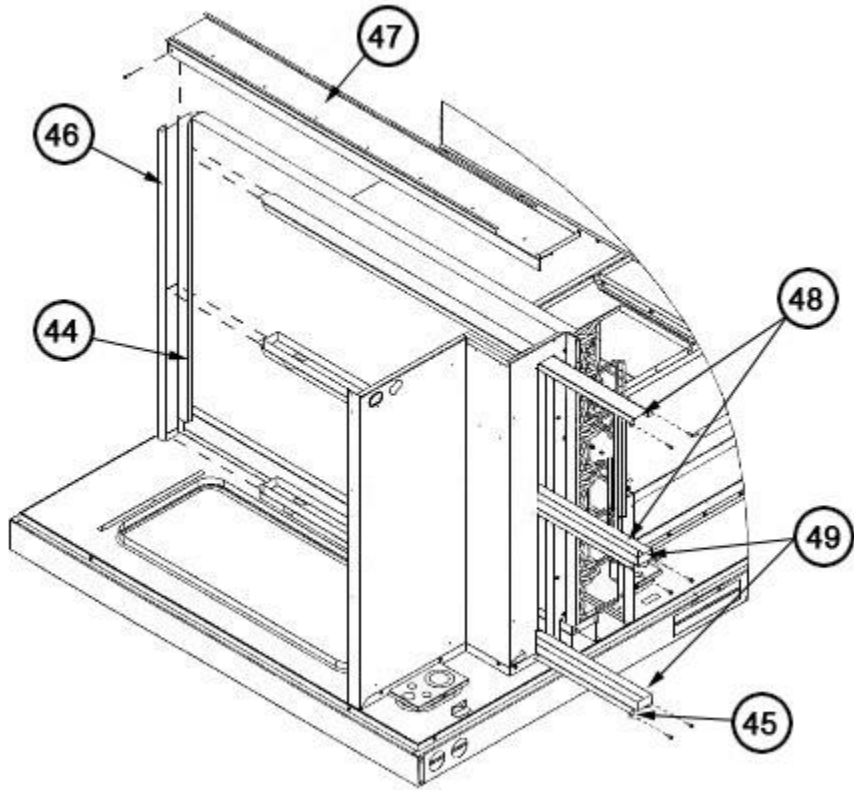
Filter-Coil Assembly 120



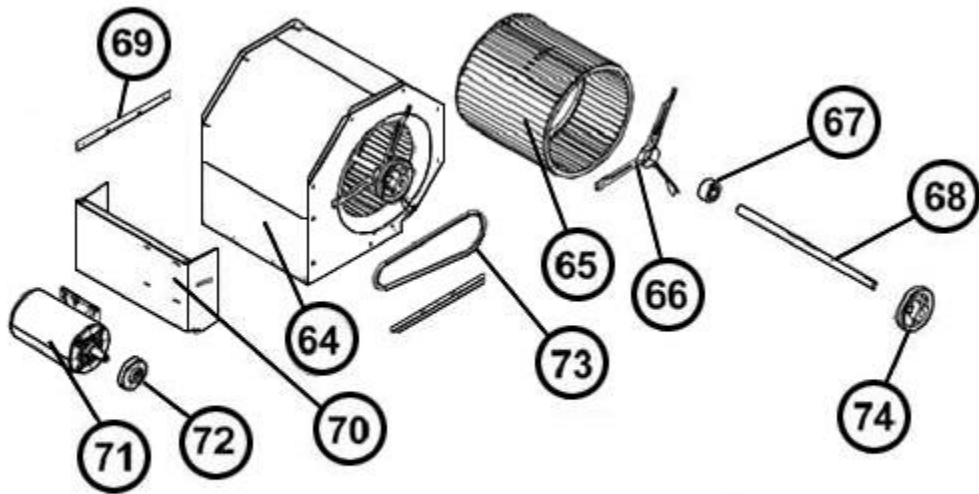
Condenser Coil Assembly 120



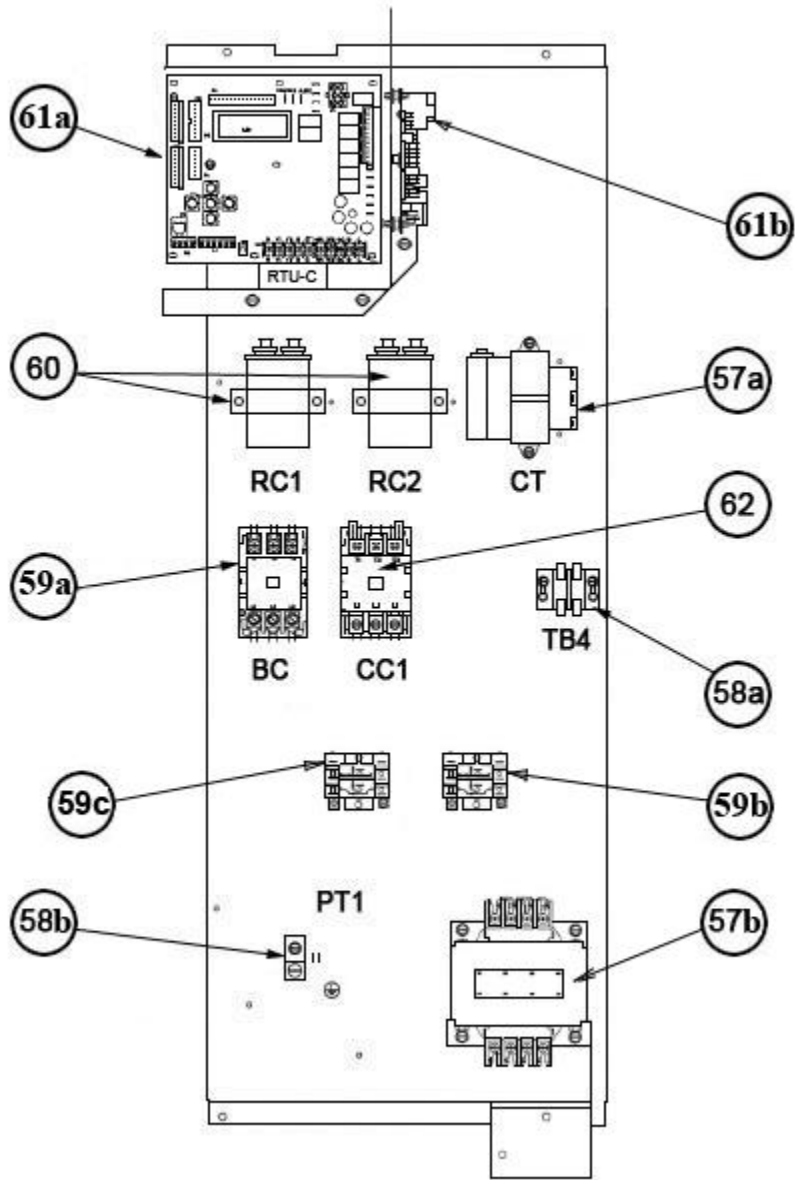
Front Panel Brackets 120



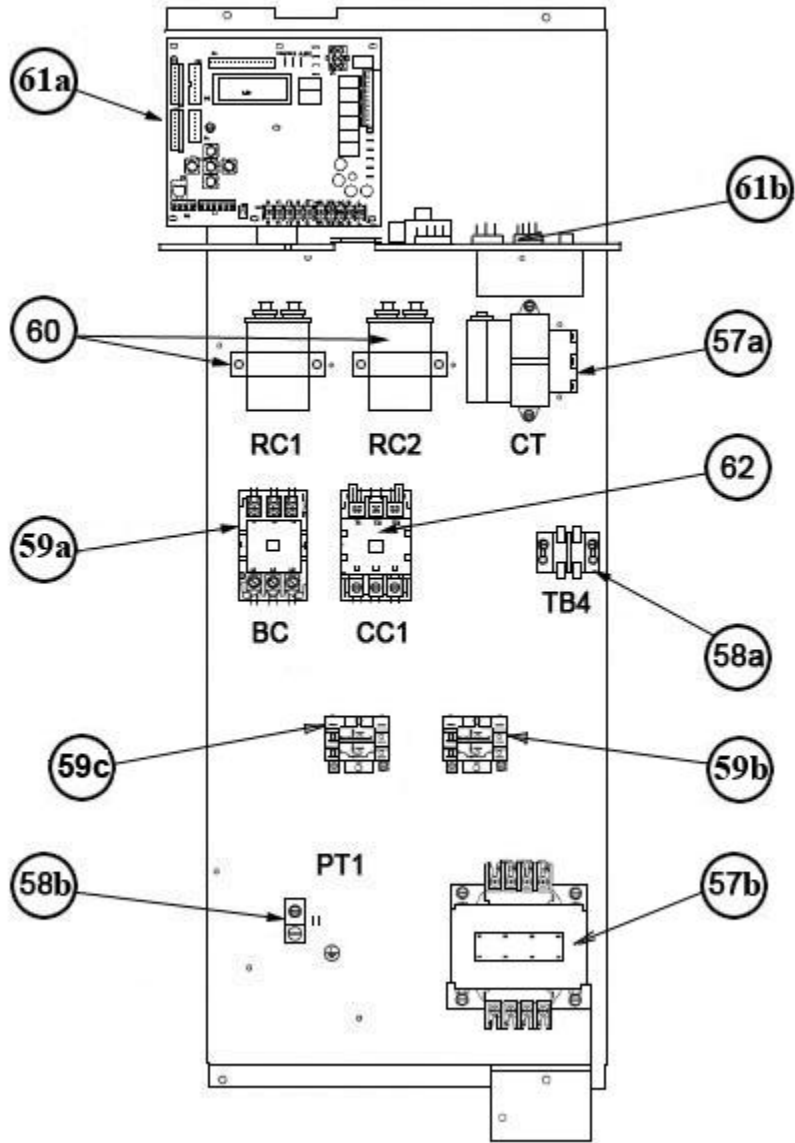
Filter Frame Assembly 120



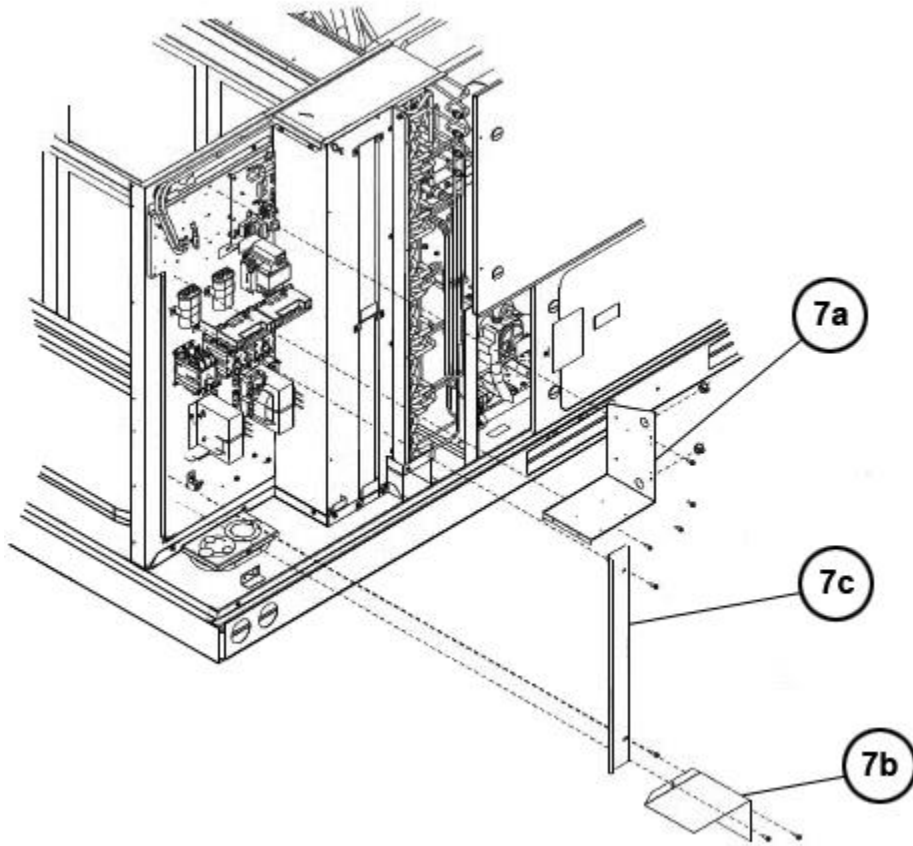
Blower Assembly 120



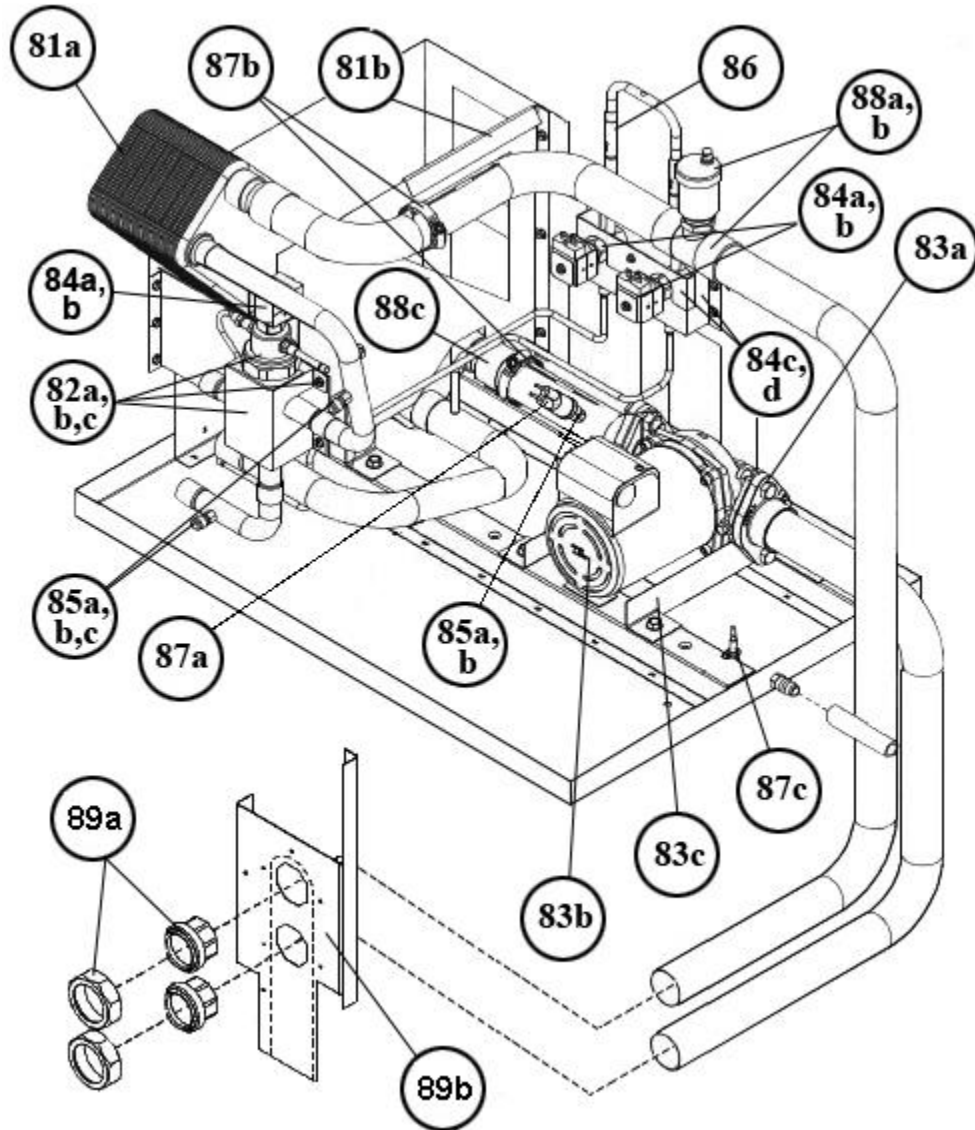
Control Box 120 After F3512



Control Box 120 Before F3512



Low Voltage Shields 120



Hybrid Assembly 120

NOTES

Stk It is recommended that stock be maintained for this part.
N/A Not Applicable

DISCLAIMER: This document is intended to provide general replacement parts information to aid qualified service personnel in the repair of these models. The complete Model and Serial Number of the unit under repair should be specified when selecting and ordering replacement parts. Specifications and illustrations are subject to change without notice. Document 92-42800-RLHL-C supersedes all previous parts lists for these models. See <http://www.rheempartslists.net/92-42800-RLHL-C> for the latest revision of this document. The manufacturer assumes no obligation for errors or omissions. Service personnel must verify the proper and safe operation of equipment after the replacement of any original components.