



RKRL-H

Parts List
14-May-2020



*This parts list is current as of the above revision date.
See <http://www.rheempartslists.net/92-42800-RKRL-H.pdf> for the current revision.*

Package Gas-Electric - Commercial

Table of Contents

Model Explanation	Page 3
Parts Numbers	
Panels - Miscellaneous 090-120 (1)	Page 4
Panels - Miscellaneous 090-120 (2)	Page 5
Panels - Miscellaneous 180 (1)	Page 6
Panels - Miscellaneous 180 (2)	Page 7
Panels - Miscellaneous 240 (1)	Page 8
Panels - Miscellaneous 240 (2)	Page 9
Electrical Group 090-120 (1)	Page 10
Electrical Group 090-120 (2)	Page 11
Electrical Group 180-240 (1)	Page 12
Electrical Group 180-240 (2)	Page 13
Fan Group 090-120	Page 14
Fan Group 180	Page 15
Fan Group 240	Page 16
Blower Group 090-120	Page 17
Blower Group 180	Page 18
Blower Group 240	Page 19
Coil Parts 090-120	Page 20
Coil Parts 180	Page 21
Coil Parts 240	Page 22
Compressor Group 090-120	Page 23
Compressor Group 180-240	Page 24
Heat Exchanger-Burner Group 090-120	Page 25
Heat Exchanger-Burner Group 180	Page 26
Heat Exchanger-Burner Group 240	Page 27
Gas Controls	Page 28
Accessories 090-120	Page 29
Accessories 180-240	Page 30
Orifice Selection Chart	Page 31
Drawings/Photographs	
Exploded View 090-120	Page 32
Exterior - Front 090-120	Page 33
Exterior - Back 090-120	Page 33
Filter-Coil Assembly 090-120	Page 34
Condenser Coil Assembly 090-120	Page 34
Heat Exchanger Assembly 090-120	Page 35
Front Panel Brackets 090-120	Page 35
Filter Frame Assembly 090-120	Page 36
Blower Assembly 090-120	Page 36
Control Box 090-120	Page 37
Low Voltage Shields 090-120	Page 38
Exterior - Front 180	Page 39
Exterior - Back 180	Page 39
Front Panel Brackets 180	Page 40
Heat Compartment 180	Page 41
Condenser Bulkhead 180	Page 41
Base Pan Assembly 180-240	Page 42
Base Rail Assembly 180-240	Page 42
Condenser Coil - 180	Page 43
Control Box 180-240	Page 44
Interior - Front 180	Page 45
Burner Assembly 180-240	Page 45
Heat Exchanger Assembly 180-240	Page 46
Pressure Switch - Mounting 180-240	Page 46
Filter Frame - Low Voltage Shields 180-240	Page 47
Blower Assembly 180-240	Page 47
Exterior - Front 240	Page 48
Exterior - Back 240	Page 48
Front Panel Brackets 240	Page 49
Interior - Coil 240	Page 49
Heat Compartment 240	Page 50
Condenser Bulkhead 240	Page 50
Notes/Disclaimer	Page 51

MODEL NUMBER EXPLANATION

R	K	R	L	-	H	0	9	0	C	R	1	5	E	A	A	J
1	2	3	4		5		6		7	8		9	10		11	12

- | | | |
|---|--|--|
| <p>1 TRADE NAME</p> <p>2 K = PACKAGE GAS / ELECTRIC
Commercial</p> <p>3 EFFICIENCY DESIGNATION
R = High Efficiency</p> <p>4 DESIGN SERIES
L = R-410A</p> <p>5 TECHNICAL VARIATION</p> <p>6 COOLING CAPACITY (BTU/HR)
090 = 90,000
120 = 120,000
180 = 180,000
240 = 240,000</p> <p>7 ELECTRICAL DESIGNATION
C = 208-230/3/60
D = 460/3/50
Y = 575/3/60</p> | <p>8</p> <p>9</p> <p>10</p> <p>11</p> <p>12</p> | <p>DRIVE PACKAGE (VFD)
R = Belt Drive
S = Belt Drive - High Static
T = Belt Drive
(090)</p> <p>HEATING CAPACITY (MBH)
08 = 80,000
10 = 100,000
12 = 120,000
13 = 135,000
15 = 150,000
22 = 220,000
25 = 250,000</p> <p>30 = 300,000
35 = 350,000
40 = 400,000</p> <p>IGNITION SYSTEM
E = Electric Ignition
X = Electric Ignition, NOx</p> <p>OPTION CODES
AA = No Options
AD = Hail Guard
BG = Hail Guard and Stainless Steel Heat Exchanger</p> <p>ECONOMIZER OPTIONS
A = No Economizer
H = Single Enthalpy Economizer with DDC, Barometric Relief
J = H above with Smoke Detector</p> |
|---|--|--|

SERIAL NUMBER EXPLANATION (Units Produced before Nov. 2013)

2	P	A	1	2	3	4	A	D	A	A	F	0	5	0	9	0	0	0	1
(1)	(2)		(3)			(4)	(5)	(6)	(7)	(8)	(9)		(10)			(11)			

- | | |
|--------------------------------------|---------------------------------|
| (1) GAS CODE | (7) TECHNOLOGY VARIATIONS |
| (2) BLOWER CONTROL BOARD | (8) PLANT
F = Fort Smith, AR |
| (3) COMPRESSOR IDENTIFICATION NUMBER | (9) WEEK |
| (4) IGNITION DEVICE | (10) YEAR |
| (5) INDUCER BLOWER | (11) PRODUCTION NUMBER |
| (6) HEAT EXCHANGER | |

SERIAL NUMBER EXPLANATION (Units Produced after Nov. 2013)

F	0	8	1	3	9	9	9	9
(1)	(2)		(3)			(4)		

- (1) PLANT CODE
- (2) WEEK (DATE CODE)
- (3) YEAR
- (4) PRODUCTION NUMBER

Note: For Compressor Identification Number, see Compressor Code on Rating Plate
For Gas Code, see Control System Gas Code on Rating Plate

No.	Notes	MODEL TECHNICAL VARIATION COOLING CAPACITY	RKRL- H 090	RKRL- H 120
PANELS - RAILS, BASE PANS, INSIDE CABINET				
BASE RAILS:				
A		Base Rail - Front	AE-90575-15	AE-90575-15
B		Base Rail - Right	AE-90576-03	AE-90576-03
C		Base Rail - Rear	AE-90575-04	AE-90575-04
D		Base Rail - Left	AE-90576-04	AE-90576-04
BASE PANS:				
E		Outdoor Coil Base Pan (includes insulation)	AS-90577-14H	AS-90577-23H
F		Indoor Coil Base Pan (includes insulation)	AS-90577-12	AS-90577-12
INSIDE CABINET:				
G		Entry Plate	AE-90614-01	AE-90614-01
H		Entry Plate	AE-90614-01	AE-90614-01
J		Heat Compartment Side	AE-90598-07	AE-90598-07
K		Blower Deck	AS-90592-10	AS-90592-10
L		Wireway	AE-90718-05	AE-90718-05
M		Condenser Bulkhead	AS-90609-19	AS-90609-35

No.	Notes	MODEL TECHNICAL VARIATION COOLING CAPACITY	RKRL- H 090	RKRL- H 120
PANELS - FRONT				
1		Control Box Door Assembly - w/Hinges, Latch, Gasket, Insulation	AS-102872-14H	AS-102872-23H
2a		Bracket - Top Panel (Left)	AS-102859-16H	AS-102859-16H
2b		Bracket - Top Panel (Center)	AS-102859-15H	AS-102859-15H
2c		Post - Blower Section	AS-102682-12H	AS-102682-15H
3a		Bracket - Bottom Panel (Left)	AS-102859-17H	AS-102859-17H
3b		Bracket - Blower/Heater Compartment	AS-102859-14H	AS-102859-14H
3c		Bracket - Bottom Panel (Right)	AS-102859-13H	AS-102859-13H
		Latch Assembly - Control Box Door (2)	64-103465-01	64-103465-01
4		Post Assembly - Indoor Coil Section	AS-90620-24H	AS-90620-25H
5		Control Box Cover	AE-90713-02	AE-90713-06
6		Control Mounting Plate	AE-90712-06	AE-90712-06
7a		Low Voltage Shield - Upper Angled	AE-90742-12	AE-90742-12
7b		Low Voltage Shield - Lower	AE-90742-11	AE-90742-13
7c		Low Voltage Shield - Middle Strip	AE-90742-09	AE-90742-14
8		Control Box Back Insulation Assembly	AS-90601-06	AS-90601-07
9		Mounting Bracket	AE-90779-02	AE-90779-02
		Outlet Flue Hood	AS-102966-01	AS-102966-01
	3	Inlet Flue Hood (2) - See Note 3	AE-90745-04	AE-90745-04
12	3	Gas Heat Access Panel Assembly - w/Hinges, Latch, Gasket, Insulation - See Note 3	AS-102872-20H	AS-102872-20H
		Latch Assembly - Electric Heat Door (2)	64-103465-01	64-103465-01
13		Gas Pipe Support Plate	AS-90774-10H	AS-90774-10H
14		Blower Access Panel Assembly - w/Hinges, Latch, Gasket, Insulation	AS-102872-16H	AS-102872-22H
		Latch Assembly - Blower Access Panel (3)	64-103465-01	64-103465-01
16		Heat Exchanger Mounting Frame Assembly	AS-90754-01	AS-90754-01
17		Condenser Coil Access Panel - Front	AS-90631-11H	AS-90631-18H
18		Front Corner Post	AS-90701-05H	AS-90701-10H

No.	Notes	MODEL TECHNICAL VARIATION COOLING CAPACITY	RKRL- H 090	RKRL- H 120
PANELS - RIGHT, REAR AND LEFT SIDES				
RIGHT:				
19		Air Stop	N/A	N/A
20		Louver Panel Assembly	AS-90789-01H	AS-90789-01H
REAR:				
21		Rear Corner Post	AS-90702-04H	AS-90702-08H
22		Condenser Coil Access Panel-Rear	AS-90631-12H	AS-90631-18H
23		Rear Panel	AS-90618-02H	AS-90618-09H
24		Supply Cover	AS-90626-02H	AS-90626-02H
25		Return Cover	AS-90628-02H	AS-90628-02H
LEFT:				
26		Upper Left Panel	AS-90624-03H	AS-90624-03H
27		Lower Left Panel	AS-90624-04H	AS-90624-04H
28		Left Corner Panel	AS-90755-07H	AS-90755-08H
29		Plate - Receptacle	AS-90756-02H	AS-90756-02H
30		Plate - Disconnect	AS-90756-03H	AS-90756-03H
31		Button Plug (2)	45-22980-06	45-22980-06
32		Button Plug	45-22980-05	45-22980-05
TOP:				
33		Top Panel Assembly	AS-90775-38H	AS-90775-38H
34		Condenser Top Panel	AS-90703-08H	AS-90703-08H
35		Venturi	AS-90632-03H (2)	AS-90632-03H (2)
36		Wire Grille	95-100906-09 (2)	95-100906-09 (2)
43		Drain Pan - Removable	See Coil Group	

No.	Notes	MODEL TECHNICAL VARIATION COOLING CAPACITY	RKRL- H 180
PANELS - RAILS, BASE PANS, INSIDE CABINET			
BASE RAILS:			
A		Front	AS-90827-03
B		Right	AE-90576-06
C		Rear	AS-90827-04
D		Left	AE-90576-05
BASE PANS:			
E		Outdoor Base Pan (includes insulation)	AS-90577-16H
F		Indoor Coil Base Pan - Return Air (includes insulation)	AS-90577-09
G		Indoor Coil Base Pan - Supply Air (includes insulation)	AS-90577-10
INSIDE CABINET PANEL/PIECES:			
H 1		Entry Plate	AE-90614-01
H 2		Entry Plate - Rooftop	AE-90614-01
J		Heat Compartment Side	AE-90598-06
K		Blower Deck Assembly	AS-90592-08
L		Wireway	AE-90718-04
M		Condenser Bulkhead (includes insulation)	AS-90609-32
O		Bulkhead Support	AE-102725-01
P		Primary Drain Pan	AS-103030-02
		Air Stop - Outdoor Coil- Front	AE-90706-21
		Air Stop - Outdoor Coil- Rear	AE-90706-20
U		Coil Support Top	AE-102700-07
V		Angle - Tube Support (2)	AE-90600-02

No.	Notes	MODEL TECHNICAL VARIATION COOLING CAPACITY	RKRL- H 180
PANELS - FRONT AND RIGHT SIDES			
1		Control Box Door Assembly - w/Hinges, Gasket, Insulation	AS-102872-04H
2a		Bracket - Top Panel (Left)	AS-102859-01H
2b		Bracket - Top Panel (Center)	AS-102969-01H
2c		Post - Blower Section	AS-102682-21H
3a		Bracket - Bottom Panel (Left)	AS-102859-02H
3b		Bracket - Blower/Heater Compartment	AS-102859-04H
3c		Bracket - Bottom Panel (Right)	AS-102859-05H
4		Post Assembly - Indoor Coil Section	AS-90620-15H
5		Control Box Cover	AE-90713-05
6		Control Mounting Panel	AE-90712-05
7a		Low Voltage Shield - Control Box (Upper Right)	AE-90742-07
7b		Low Voltage Shield - Control Box (Lower Left)	AE-90742-06
7c		Thermostat Chase Cover	AE-102722-01
8		Control Box Back	AS-90601-05
9		Mounting Bracket	AE-90779-02
		Outlet Flue Hood	AS-102966-01
	3	Inlet Flue Hood (2) - See Note 3	AE-90745-04
12	3	Gas Heat Access Panel Assembly - w/Hinges, Gasket (25E) - See Note 3	AS-102872-11H
12	3	Gas Heat Access Panel Assembly - w/Hinges, Gasket (35E) - See Note 3	AS-102872-12H
13		Power Entry Plate Assembly	AS-90774-12H
14		Blower Access Panel Assembly - w/Hinges, Gasket, Insulation	AS-102872-02H
16		Mounting Frame - Heat Exchanger Frame	AS-90754-03
17		Condenser Coil Access Panel - Front	AS-90734-14H

No.	Notes	MODEL TECHNICAL VARIATION COOLING CAPACITY	RKRL- H 180
PANELS - REAR, LEFT, AND TOP			
REAR:			
22		Condenser Coil Access Panel-Rear	AS-90734-15H
23		Rear Panel - Right	AS-90618-10H
24		Supply Cover	AS-90628-03H
25		Return Cover	AS-90628-04H
LEFT:			
26		Upper Left Panel	AS-90624-09H
27		Lower Left Panel	AS-90624-08H
28		Left Corner Panel Assembly	AS-90755-05H
		Bracket - Left Corner Panel Assembly (2)	AE-90779-01
		Gasket for receptacle plate	68-42514-08
		Gasket for disconnect plate	68-42514-09
29		Plate - Install inside Panel-Receptacle	AS-90756-02H
30		Plate - Install inside Panel-Disconnect	AS-90756-03H
31		Button Plug (3)	45-42558-01
32		Star Bushing (3)	45-18515-01
TOP:			
33a		Top Panel Assembly - Right	AS-90616-04H
33b		Top Panel Assembly - Left	AS-90616-05H
34		Top Panel	AS-90703-11H
35		Venturi	AS-90632-03H (3)
36		Wire Grille	95-100906-09 (3)
43		Drain Pan - Removable	See Coil Group

No.	Notes	MODEL TECHNICAL VARIATION COOLING CAPACITY	RKRL- H 240
PANELS - RAILS, BASE PANS, INSIDE CABINET			
BASE RAILS:			
A		Front	AS-90827-03
B		Right	AE-90576-06
C		Rear	AS-90827-04
D		Left	AE-90576-05
BASE PANS:			
E		Outdoor Base Pan (includes insulation and coil support top)	AS-90577-24H
F		Indoor Coil Base Pan - Return Air (includes insulation)	AS-90577-09
G		Indoor Coil Base Pan - Supply Air (includes insulation)	AS-90577-10
INSIDE CABINET PANEL/PIECES:			
H 1		Entry Plate	AE-90614-01
H 2		Entry Plate - Rooftop	AE-90614-01
I		Post - Blower Section	AS-102682-07H
J		Heat Compartment Side	AE-90598-06
K		Blower Deck Assembly	AS-90592-08
L		Wireway	AE-90718-04
M		Condenser Bulkhead	AS-90609-13
N		Divider Panel - Between Coils	AE-90735-05
O		Bulkhead Support	AE-102725-01
P		Primary Drain Pan	AS-103030-02
		Air Stop - Outdoor Coil- Front	AE-90706-24
		Air Stop - Outdoor Coil- Rear	AE-90706-25
U		Coil Support Top	AE-102700-03
V		Angle - Tube Support (2)	AE-90600-02

No.	Notes	MODEL TECHNICAL VARIATION COOLING CAPACITY	RKRL- H 240
PANELS - FRONT AND RIGHT SIDES			
1		Control Box Door Assembly - w/Hinges, Latch, Gasket, Insulation	AS-102872-04H
2a		Bracket - Top Panel (Left)	AS-102859-01H
2b		Bracket - Top Panel (Center)	AS-102969-01H
2c		Post - Blower Section	AS-102682-07H
3a		Bracket - Bottom Panel (Left)	AS-102859-02H
3b		Bracket - Blower/Heater Compartment	AS-102859-04H
3c		Bracket - Bottom Panel (Right)	AS-102859-05H
4		Post Assembly - Indoor Coil Section	AS-90620-15H
5		Control Box Cover	AE-90713-05
6		Control Mounting Panel	AE-90712-05
7a		Low Voltage Shield - Control Box (Upper Right)	AE-90742-07
7b		Low Voltage Shield - Control Box (Lower Left)	AE-90742-06
7c		Thermostat Chase Cover	AE-102722-01
8		Control Box Back	AS-90601-05
9		Mounting Bracket	AE-90779-02
		Outlet Flue Hood	AS-102966-01
		Inlet Flue Hood (2) - See Note 3	AE-90745-04
12		Gas Heat Access Panel Assembly - w/Hinges, Gasket (30E) - See Note 3	AS-102872-12H
12		Gas Heat Access Panel Assembly - w/Hinges, Gasket (40E) - See Note 3	AS-102872-10H
13		Power Entry Plate Assembly	AS-90774-12H
14		Blower Access Panel Assembly - w/Hinges, Latch, Gasket, Insulation	AS-102872-02H
16		Mounting Frame - Heat Exchanger Frame	AS-90754-03
17		Condenser Coil Access Panel - Front	AS-90734-20H
38c		Post - Outdoor Coil (Front)	See Coil Group
39c		Post - Outdoor Coil (Rear)	See Coil Group

No.	Notes	MODEL TECHNICAL VARIATION COOLING CAPACITY	RKRL- H 240
PANELS - REAR, LEFT, AND TOP			
REAR:			
22		Condenser Coil Access Panel-Rear	AS-90734-21H
23		Rear Panel - Right	AS-90618-08H
24		Supply Cover	AS-90628-03H
25		Return Cover	AS-90628-04H
LEFT:			
26		Upper Left Panel	AS-90624-09H
27		Lower Left Panel	AS-90624-08H
28		Left Corner Panel Assembly	AS-90755-05H
		Bracket - Left Corner Panel Assembly (2)	AE-90779-01
		Gasket for receptacle plate	68-42514-08
		Gasket for disconnect plate	68-42514-09
29		Plate - Install inside Panel-Receptacle	AS-90756-02H
30		Plate - Install inside Panel-Disconnect	AS-90756-03H
31		Button Plug (2)	45-22980-06
32		Star Bushing (1)	45-18515-01
TOP:			
33a		Top Panel Assembly - Right	AS-90616-04H
33b		Top Panel Assembly - Left	AS-90616-05H
34a		Top Panel - Front	AS-90633-10H
34b		Top Panel - Middle	AS-90633-11H
34c		Top Panel - Rear	AS-90633-09H
35		Venturi	AS-90632-03H (6)
36		Wire Grille	95-100906-09 (6)
43		Drain Pan - Removable	See Coil Group

No.	Notes	MODEL TECHNICAL VARIATION COOLING CAPACITY ELECTRICAL DESIGNATION	RKRL- H 090 C	RKRL- H 120 C
ELECTRIC GROUP				
CONTROL BOX COMPONENTS:				
57	Stk	Transformer - Control	46-42515-01	46-42515-01
58a		Double Row Terminal Block	45-42548-02	45-42548-02
58b	Stk	Relay - Blower	42-21571-08	42-21571-08
58c		Ground Lug	45-19000-02	45-19000-02
60		Capacitor - Fan Motor	See Fan Group	
61a		Integrated Furnace Control Board (IFC)	See Gas Controls	
61b		Unit Controller (RTU-C)	47-102883-02	47-102883-02
61c		Variable Frequency Drive (VFD) - Drive Package R	47-104280-01	47-104280-01
61c		Variable Frequency Drive (VFD) - Drive Package S	47-104280-01	47-104281-01
61c		Variable Frequency Drive (VFD) - Drive Package T	47-104281-01	N/A
62a	Stk	Contactora - Compressor	42-102664-08	42-102664-08
62b	Stk	Contactora - Compressor	42-102664-08	42-102664-08
		Comfort Alert (2)	42-101504-03	42-101504-03
MISCELLANEOUS:				
		Low Ambient Assembly (2)	AS-103034-01	AS-103034-01
		Pressure Switch Assembly - (Clogged Filter and Fan Proving)	42-103320-27	42-103320-27
		Disconnect Switch Assembly	42-42559-02	42-42559-02
		Outlet Box	45-41952-02	45-41952-02
		Cover - Receptacle	45-41953-02	45-41953-02
		Receptacle/Ground Fault	45-41954-01	45-41954-01
		High Pressure Control	See Coil Group	
		Low Pressure Control	See Coil Group	
WIRING HARNESES:				
		Temperature Sensors	See Note 4	
		Wiring Harness - Fan Motor #1	See Fan Group	
		Wiring Harness - Fan Motor #2	See Fan Group	
		Wiring Harness - Twist-Loc (12 Pin and 4 Pin) to 9 Pin	45-42522-100	45-42522-100
		Wiring Harness - 4 Pin to 4 Pin (IFC Communication)	45-42522-95	45-42522-95
4		Wiring Harness - 8 Pin to (4 Connectors and 2 Temperature Sensors) - See Note 4	45-42522-98	45-42522-98
		Jumper - 7 Pin Connector	45-42522-97	45-42522-97
		Wiring Harness - 4 Pin to Variable Frequency Drive (VFD)	45-42522-120	45-42522-120
4		Wiring Harness - Compressor Control (14 Pin to Four 2 Pin Connectors and Three Temperature Sensors) - See Note 4	45-42522-99	45-42522-99
		Wiring Harness - Twist-Loc (12 Pin to 3 Pin and 7 terminals) (15E)	45-102706-06	45-102706-06
		Wiring Harness - Twist-Loc (12 Pin to 12 Terminals) (22E)	45-102706-10	45-102706-10
		Plug Harness - Compressor	See Compressor Group	
		Wirng Harness - Induced Draft Blower	45-42522-19	45-42522-19
		Bypass Plug - Economizer 12 Pin	AS-61997-55	AS-61997-55

No.	Notes	MODEL TECHNICAL VARIATION COOLING CAPACITY ELECTRICAL DESIGNATION	RKRL- H 090 D	RKRL- H 120 D
ELECTRIC GROUP				
CONTROL BOX COMPONENTS:				
57	Stk	Transformer - Control	46-42515-02	46-42515-02
58a		Double Row Terminal Block	45-42548-02	45-42548-02
58b	Stk	Relay - Blower	42-21571-08	42-21571-08
58c		Ground Lug	45-19000-02	45-19000-02
60		Capacitor - Fan Motor	See Fan Group	
61a		Integrated Furnace Control Board (IFC)	See Gas Controls	
61b		Unit Controller (RTU-C)	47-102883-02	47-102883-02
61c		Variable Frequency Drive (VFD) - Drive Package R	47-104285-01	47-104285-01
61c		Variable Frequency Drive (VFD) - Drive Package S	47-104285-01	47-104286-01
61c		Variable Frequency Drive (VFD) - Drive Package T	47-104286-01	N/A
62a	Stk	Contactora - Compressor	42-102664-08	42-102664-08
62b	Stk	Contactora - Compressor	42-102664-08	42-102664-08
MISCELLANEOUS:				
		Comfort Alert	42-101504-03	42-101504-03
		Low Ambient Assembly	AS-103034-01	AS-103034-01
		Pressure Switch Assembly - (Clogged Filter and Fan Proving)	42-103320-27	42-103320-27
		Disconnect Switch Assembly	42-42559-02	42-42559-02
		Outlet Box	45-41952-02	45-41952-02
		Cover - Receptacle	45-41953-02	45-41953-02
		Receptacle/Ground Fault	45-41954-01	45-41954-01
		High Pressure Control	See Coil Group	
		Low Pressure Control	See Coil Group	
WIRING HARNESES:				
		Temperature Sensors	See Note 4	
		Wiring Harness - Fan Motor #1	See Fan Group	
		Wiring Harness - Fan Motor #2	See Fan Group	
		Wiring Harness - Twist-Loc (12 Pin and 4 Pin) to 9 Pin	45-42522-100	45-42522-100
		Wiring Harness - 4 Pin to 4 Pin (IFC Communication)	45-42522-95	45-42522-95
4		Wiring Harness - 8 Pin to (4 Connectors and 2 Temperature Sensors) - See Note 4	45-42522-98	45-42522-98
		Jumper - 7 Pin Connector	45-42522-97	45-42522-97
		Wiring Harness - 4 Pin to Variable Frequency Drive (VFD)	45-42522-120	45-42522-120
4		Wiring Harness - Compressor Control (14 Pin to Four 2 Pin Connectors and Three Temperature Sensors) - See Note 4	45-42522-99	45-42522-99
		Wiring Harness - Twist-Loc (12 Pin to 3 Pin and 7 terminals) (15E)	45-102706-06	45-102706-06
		Wiring Harness - Twist-Loc (12 Pin to 12 Terminals) (22E)	45-102706-10	45-102706-10
		Plug Harness - Compressor	See Compressor Group	
		Wirng Harness - Induced Draft Blower	45-42522-19	45-42522-19
		Bypass Plug - Economizer 12 Pin	AS-61997-55	AS-61997-55

No.	Notes	MODEL TECHNICAL VARIATION COOLING CAPACITY ELECTRICAL DESIGNATION	RKRL- H 180 C	RKRL- H 240 C
ELECTRIC GROUP				
CONTROL BOX COMPONENTS:				
57a	Stk	Transformer - Control	46-42515-04	46-42515-04
58a		Terminal Block - Double Row	45-42548-02	45-42548-02
58b		Terminal Block	45-21134-04	45-21134-04
58c		Ground Lug	45-19000-02	45-19000-02
59	Stk	Blower Relay	42-21571-08	42-21571-08
60		Run Capacitor	See Fan Group	
61a		Integrated Furnace Control	See Gas Controls	
61b		Unit Controller (RTU-C)	47-102883-02	47-102883-02
61c		Variable Frequency Drive (VFD) - Drive Package R	47-104281-01	47-104282-01
61c		Variable Frequency Drive (VFD) - Drive Package S	47-104282-01	47-104283-01
62a	Stk	Contactors - Compressor	42-102664-12	42-102664-26
62b	Stk	Compressor Contactor	42-102664-12	42-102664-12
62c		Comfort Alert (2)	42-101504-03	42-101504-03
MISCELLANEOUS:				
		Pressure Switch Assembly - (Clogged Filter and Fan Proving)	42-103320-27	42-103320-27
		Disconnect Switch Assembly	42-42559-02	42-42559-02
		Outlet Box	45-41952-02	45-41952-02
		Cover - Receptacle	45-41953-02	45-41953-02
		Receptacle/Ground Fault	45-41954-01	45-41954-01
		Low Ambient Assembly (2)	AS-103034-01	AS-103034-01
		High Pressure Control	See Coil Group	
		Low Pressure Control	See Coil Group	
WIRING HARNESES:				
		Temperature Sensors	See Note 4	
		Wiring Harness - Motor #1	See Fan Group	
		Wiring Harness - Motor #2	See Fan Group	
		Wiring Harness - 4 Pin to 4 Pin (IFC Communication)	45-42522-95	45-42522-95
4		Wiring Harness - 8 Pin to 4 Connectors and 2 Temperature Sensors - See Note 4	45-42522-98	45-42522-98
		Jumper - 7 Pin Connector (Unit Configuration)	45-42522-97	45-42522-97
4		Wiring Harness - Compressor Control (14 Pin to Four 2 Pin Connectors and Three Temperature Sensors) - See Note 4	45-42522-78	45-42522-78
		Wiring Harness - 4 Pin to Variable Frequency Drive (VFD)	45-42522-120	45-42522-120
		Wiring Harness - Twist-Loc, Economizer (12 Pin and 4 Pin to 9 Pin)	45-42522-93	45-42522-93
		Plug Harness - Compressor	See Compressor Group	
		Bypass Plug - Economizer 12 Pin	AS-61997-55	AS-61997-55
		Wiring Harness - Induced Draft Blower (25E)	45-42522-87	N/A
		Wiring Harness - Induced Draft Blower (30E,35E)	45-42522-86	45-42522-86
		Wiring Harness - Induced Draft Blower (40E)	N/A	45-42522-90
		Wiring Harness - Furnace Control (12 pin to 12 wire leads - Twist Loc)	45-42522-88	45-42522-88

No.	Notes	MODEL TECHNICAL VARIATION COOLING CAPACITY ELECTRICAL DESIGNATION	RKRL- H 180 D	RKRL- H 240 D
ELECTRIC GROUP				
CONTROL BOX COMPONENTS:				
57a	Stk	Transformer - Control	46-42515-05	46-42515-05
58a		Terminal Block - Double Row	45-42548-02	45-42548-02
58b		Terminal Block	45-21134-04	45-21134-04
58c		Ground Lug	45-19000-02	45-19000-02
59	Stk	Blower Relay	42-21571-08	42-21571-08
60		Run Capacitor	See Fan Group	
61a		Integrated Furnace Control	See Gas Controls	
61b		Unit Controller (RTU-C)	47-102883-02	47-102883-02
61c		Variable Frequency Drive (VFD) - Drive Package R	47-104286-01	47-104287-01
61c		Variable Frequency Drive (VFD) - Drive Package S	47-104287-01	47-104288-01
62a	Stk	Contact - Compressor	42-102664-12	42-102664-26
62b	Stk	Compressor Contactor	42-102664-12	42-102664-12
62c		Comfort Alert (2)	42-101504-03	42-101504-03
MISCELLANEOUS:				
		Pressure Switch Assembly - (Clogged Filter and Fan Proving)	42-103320-27	42-103320-27
		Disconnect Switch Assembly	42-42559-02	42-42559-02
		Outlet Box	45-41952-02	45-41952-02
		Cover - Receptacle	45-41953-02	45-41953-02
		Receptacle/Ground Fault	45-41954-01	45-41954-01
		Low Ambient Assembly (2)	AS-103034-01	AS-103034-01
		High Pressure Control	See Coil Group	
		Low Pressure Control	See Coil Group	
WIRING HARNESES:				
		Temperature Sensors	See Note 4	
		Wiring Harness - Motor #1	See Fan Group	
		Wiring Harness - Motor #2	See Fan Group	
		Wiring Harness - 4 Pin to 4 Pin (IFC Communication)	45-42522-95	45-42522-95
	4	Wiring Harness - 8 Pin to 4 Connectors and 2 Temperature Sensors - See Note 4	45-42522-98	45-42522-98
		Jumper - 7 Pin Connector (Unit Configuration)	45-42522-97	45-42522-97
	4	Wiring Harness - Compressor Control (14 Pin to Four 2 Pin Connectors and Three Temperature Sensors) - See Note 4	45-42522-78	45-42522-78
		Wiring Harness - 4 Pin to Variable Frequency Drive (VFD)	45-42522-120	45-42522-120
		Wiring Harness - Twist-Loc, Economizer (12 Pin and 4 Pin to 9 Pin)	45-42522-93	45-42522-93
		Plug Harness - Compressor	See Compressor Group	
		Bypass Plug - Economizer 12 Pin	AS-61997-55	AS-61997-55
		Wiring Harness - Induced Draft Blower (25E)	45-42522-87	N/A
		Wiring Harness - Induced Draft Blower (30E,35E)	45-42522-86	45-42522-86
		Wiring Harness - Induced Draft Blower (40E)	N/A	45-42522-90
		Wiring Harness - Furnace Control (12 pin to 12 wire leads - Twist Loc)	45-42522-88	45-42522-88

No.	Notes	MODEL TECHNICAL VARIATION COOLING CAPACITY ELECTRICAL DESIGNATION	RKRL- H 090 C	RKRL- H 120 C
FAN GROUP				
52	Stk	Fan Motor (2)	51-42534-24	51-42534-24
		Wiring Harness - Motor #1 (9 wire)	45-102706-21	45-102706-21
		Wiring Harness - Motor #2 (7 wire)	45-102706-22	45-102706-22
53	Stk	Fan Blade (2)	70-101323-23	70-101323-23
60	Stk	Capacitor - Fan Motor (2)	43-100496-12	43-100496-12

No.	Notes	MODEL TECHNICAL VARIATION COOLING CAPACITY ELECTRICAL DESIGNATION	RKRL- H 090 D	RKRL- H 120 D
FAN GROUP				
52	Stk	Fan Motor (2)	51-42534-25	51-42534-25
		Wiring Harness - Motor #1 (9 wire)	45-102706-21	45-102706-21
		Wiring Harness - Motor #2 (7 wire)	45-102706-22	45-102706-22
53	Stk	Fan Blade (2)	70-101323-23	70-101323-23
60	Stk	Capacitor - Fan Motor (2)	43-100496-12	43-100496-12

No.	Notes	MODEL TECHNICAL VARIATION COOLING CAPACITY ELECTRICAL DESIGNATION	RKRL- H 180 C
FAN GROUP			
52	Stk	Fan Motor	51-42534-24 (3)
		Wiring Harness - Motor #1, #2	45-42522-71
		Wiring Harness - Motor #3	45-42522-114
53	Stk	Fan Blade	70-42572-04 (3)
60	Stk	Capacitor - Fan Motor	43-100496-12 (3)

No.	Notes	MODEL TECHNICAL VARIATION COOLING CAPACITY ELECTRICAL DESIGNATION	RKRL- H 180 D
FAN GROUP			
52	Stk	Fan Motor	51-42534-25 (3)
		Wiring Harness - Motor #1, #2	45-42522-71
		Wiring Harness - Motor #3	45-42522-114
53	Stk	Fan Blade	70-42572-04 (3)
60	Stk	Capacitor - Fan Motor	43-100496-12 (3)

No.	Notes	MODEL TECHNICAL VARIATION COOLING CAPACITY ELECTRICAL DESIGNATION	RKRL- H 240 C
FAN GROUP			
52	Stk	Fan Motor	51-42534-24 (6)
		Wiring Harness - Motor #1 & #4	45-42522-71
		Wiring Harness - Motor #2 & #5	45-42522-70
		Wiring Harness - Motor #3 & #6	45-42522-69
53	Stk	Fan Blade	70-42572-04 (6)
60	Stk	Capacitor - Fan Motor	43-100496-12 (6)

No.	Notes	MODEL TECHNICAL VARIATION COOLING CAPACITY ELECTRICAL DESIGNATION	RKRL- H 240 D
FAN GROUP			
52	Stk	Fan Motor	51-42534-25 (6)
		Wiring Harness - Motor #1 & #4	45-42522-71
		Wiring Harness - Motor #2 & #5	45-42522-70
		Wiring Harness - Motor #3 & #6	45-42522-69
53	Stk	Fan Blade	70-42572-04 (6)
60	Stk	Capacitor - Fan Motor	43-100496-12 (6)

No.	Notes	MODEL TECHNICAL VARIATION COOLING CAPACITY DRIVE PACKAGE	RKRL- H 090 R	RKRL- H 120 R
BLOWER ASSEMBLY GROUP - BELT DRIVE				
64	Stk	Blower Assembly (Includes Items 65-68)	AS-90757-01	AS-90757-01
65	Stk	Blower Wheel	70-42540-02	70-42540-02
66		Bearing Frame Tri-Arm (2)	70-42540-05	70-42540-05
67		Bearing with Bearing Lock (2)	70-41854-02	70-41854-02
68	Stk	Blower Shaft	70-42540-04	70-42540-04
69		Blower Mounting Angles (2)	AE-90708-01	AE-90708-01
		Blower Angle Stop	AE-90709-02	AE-90709-02
70		Motor Mount	AS-90824-01	AS-90824-01
71	Stk	Blower Motor - C/D Voltages	51-102826-14	51-102826-14
72	Stk	Variable Sheave	71-42538-02	71-42538-02
73	Stk	Belt	71-40438-30	71-40438-27
74	Stk	Fixed Sheave	71-100774-05	71-100774-02
		Key	94-42551-09	94-42551-09
	Stk	Bushing for Sheave w/Screws	71-100773-01	71-100773-01

No.	Notes	MODEL TECHNICAL VARIATION COOLING CAPACITY DRIVE PACKAGE	RKRL- H 090 S	RKRL- H 120 S
BLOWER ASSEMBLY GROUP - BELT DRIVE				
64	Stk	Blower Assembly (Includes Items 65-68)	AS-90757-01	AS-90757-01
65	Stk	Blower Wheel	70-42540-02	70-42540-02
66		Bearing Frame Tri-Arm (2)	70-42540-05	70-42540-05
67		Bearing with Bearing Lock (2)	70-41854-02	70-41854-02
68	Stk	Blower Shaft	70-42540-04	70-42540-04
69		Blower Mounting Angles (2)	AE-90708-01	AE-90708-01
		Blower Angle Stop	AE-90709-02	AE-90709-02
70		Motor Mount	AE-90710-04	AE-90710-04
71	Stk	Blower Motor - C/D Voltages	51-102826-14	51-102826-15
72	Stk	Variable Sheave	71-42538-02	71-42538-02
73	Stk	Belt	71-40438-27	71-40438-23
74	Stk	Fixed Sheave	71-100774-02	71-100774-04
		Key	94-42551-09	94-42551-09
	Stk	Bushing for Sheave w/Screws	71-100773-01	71-100773-01

No.	Notes	MODEL TECHNICAL VARIATION COOLING CAPACITY DRIVE PACKAGE	RKRL- H 090 T	
BLOWER ASSEMBLY GROUP - BELT DRIVE				
64	Stk	Blower Assembly (Includes Items 65-68)	AS-90757-01	
65	Stk	Blower Wheel	70-42540-02	
66		Bearing Frame Tri-Arm (2)	70-42540-05	
67		Bearing with Bearing Lock (2)	70-41854-02	
68	Stk	Blower Shaft	70-42540-04	
69		Blower Mounting Angles (2)	AE-90708-01	
		Blower Angle Stop	AE-90709-02	
70		Motor Mount	AE-90710-04	
71	Stk	Blower Motor - C/D Voltages	51-102826-15	
72	Stk	Variable Sheave	71-42538-02	
73	Stk	Belt	71-40438-23	
74	Stk	Fixed Sheave	71-100774-04	
		Key	94-42551-09	
	Stk	Bushing for Sheave w/Screws	71-100773-01	

No.	Notes	MODEL TECHNICAL VARIATION COOLING CAPACITY DRIVE PACKAGE	RKRL- H 180 R
BLOWER ASSEMBLY GROUP - BELT DRIVE			
64	Stk	Blower Assembly - Includes Items 65 and 66	AS-90757-06
65	Stk	Blower Wheel (2)	70-42564-02
66		Bearing Frame Tri-Arm (4)	70-42284-04
67		Bearing with Bearing Lock (4)	70-41854-02
68	Stk	Blower Shaft	70-42564-03
69		Blower Connector Angles (3)	AE-90798-01
70		Motor Mount	AE-90710-03
71	Stk	Blower Motor - C/D Voltages	51-102826-15
72	Stk	Variable Sheave	71-42538-02
73	Stk	Belt	71-40438-43
74a	Stk	Fixed Sheave	71-100774-08
74b		Key	94-42551-09
74c	Stk	Bushing for Sheave w/Screws	71-100773-01

No.	Notes	MODEL TECHNICAL VARIATION COOLING CAPACITY DRIVE PACKAGE	RKRL- H 180 S
BLOWER ASSEMBLY GROUP - BELT DRIVE			
64	Stk	Blower Assembly - Includes Items 65 and 66	AS-90757-06
65	Stk	Blower Wheel (2)	70-42564-02
66		Bearing Frame Tri-Arm (4)	70-42284-04
67		Bearing with Bearing Lock (4)	70-41854-02
68	Stk	Blower Shaft	70-42564-03
69		Blower Connector Angles (3)	AE-90798-01
70		Motor Mount	AE-90710-03
71	Stk	Blower Motor - C/D Voltages	51-102826-06
72	Stk	Variable Sheave	71-40427-04
73	Stk	Belt	71-40438-46
74a	Stk	Fixed Sheave	71-100774-08
74b		Key	94-42551-09
74c	Stk	Bushing for Sheave w/Screws	71-100773-01

No.	Notes	MODEL TECHNICAL VARIATION COOLING CAPACITY DRIVE PACKAGE	RKRL- H 240 R
BLOWER ASSEMBLY GROUP - BELT DRIVE			
64	Stk	Blower Assembly - Includes Items 65 and 66	AS-90757-06
65	Stk	Blower Wheel (2)	70-42564-02
66		Bearing Frame Tri-Arm (4)	70-42284-04
67		Bearing with Bearing Lock (4)	70-41854-02
68	Stk	Blower Shaft	70-42564-03
69		Blower Connector Angles (3)	AE-90798-01
70		Motor Mount	AE-90710-03
71	Stk	Blower Motor - C/D Voltages	51-102826-06
72	Stk	Variable Sheave	71-40427-04
73	Stk	Belt	71-40438-50
74a	Stk	Fixed Sheave	71-100774-07
74b		Key	94-42551-09
74c	Stk	Bushing for Sheave w/Screws	71-100773-01

No.	Notes	MODEL TECHNICAL VARIATION COOLING CAPACITY DRIVE PACKAGE	RKRL- H 240 S
BLOWER ASSEMBLY GROUP - BELT DRIVE			
64	Stk	Blower Assembly - Includes Items 65 and 66	AS-90757-06
65	Stk	Blower Wheel (2)	70-42564-02
66		Bearing Frame Tri-Arm (4)	70-42284-04
67		Bearing with Bearing Lock (4)	70-41854-02
68	Stk	Blower Shaft	70-42564-03
69		Blower Connector Angles (3)	AE-90798-01
70		Motor Mount	AE-90710-03
71	Stk	Blower Motor - C/D Voltages	51-102826-07
72	Stk	Variable Sheave	71-40427-59
73	Stk	Belt	71-40438-54
74a	Stk	Fixed Sheave	71-100774-06
74b		Key	94-42551-09
74c	Stk	Bushing for Sheave w/Screws	71-100773-01

No.	Notes	MODEL TECHNICAL VARIATION COOLING CAPACITY	RKRL- H 090	RKRL- H 120
COIL GROUP				
EVAPORATOR COIL GROUP:				
42	Stk	Evaporator Coil	AS-90656-86	AS-90656-87
	Stk	TXV - Circuit #1 (before F3515)	61-101351-16	61-103999-01
	Stk	TXV - Circuit #2 (before F3515)	61-101351-16	61-103999-01
	Stk	TXV - Circuit #1 (on or after F3515)	61-42662-22	61-103999-01
	Stk	TXV - Circuit #2 (on or after F3515)	61-42662-22	61-103999-01
		Bulb Strap Kit - TXV (2)	64-101357-01	N/A
43	Stk	Drain Pan - Removable	68-102699-02	68-102699-02
FILTER PIECES:				
44		Filter Frame	AE-90606-11	AE-90606-12
45		Air Stop - Bottom	AE-102712-10	AE-102712-10
46		Air Stop - Side	AE-102712-06	AE-102712-12
47		Top Air Stop Assembly	AS-90604-06	AS-90604-06
48		Filter Channel (2)	AE-102712-08	AE-102712-08
49		Filter Slide (2)	AE-102712-11	AE-102712-11
		Filter (6)	54-42541-01	54-42541-01
CONDENSER COIL GROUP:				
37a	Stk	Condenser Coil	65-101478-07	65-101478-08
37b	Stk	Condenser Coil	65-101478-07	65-101478-08
38		Front Air Stop	N/A	N/A
39		Rear Air Stop	N/A	N/A
40a		Micro-Channel Coil Mounting Base - Left	68-102752-01	68-102752-01
40b		Micro-Channel Coil Mounting Base - Right	68-102752-02	68-102752-02
41a		Top Support - Condenser Coil	AE-90612-13	AE-90612-13
41b		Top Support - Condenser Bulkhead	AE-90612-05	AE-90612-05
	Stk	Filter Drier - Liquid Line	83-22755-05 (2)	83-22755-05 (2)
		Strap - Filter Drier	AE-102132-01 (2)	AE-102132-01 (2)
	Stk	High Pressure Control	47-103669-01 (2)	47-103669-01 (2)
	Stk	Low Pressure Control	47-101529-09 (2)	47-101529-09 (2)

No.	Notes	MODEL TECHNICAL VARIATION COOLING CAPACITY	RKRL- H 180
COIL GROUP			
EVAPORATOR COIL GROUP:			
40		Air Flow Panel	AS-90828-02H
42	Stk	Complete Coil - Indoor	AS-102821-04
	Stk	TXV/Distributor Assembly - Circuit #1	61-102845-01
	Stk	TXV/Distributor Assembly - Circuit #2	61-102845-01
43	Stk	Drain Pan - Removable	68-102699-01
FILTER PIECES:			
44		Filter Frame	AE-90606-10
45		Air Stop - Bottom	AE-102712-17
46		Air Stop - Side	AE-102712-14
47		Top Air Stop Assembly	AS-90604-04
48		Filter Channel (2)	AE-102712-16
49		Filter Slide (2)	AE-102712-15
50		Filter - 20 in. x 25 in. x 2 in. (8)	54-42541-04
CONDENSER COIL:			
37	Stk	Condenser Coil (2)	65-101478-09
37a		Coil Mounting Base - Left	68-102752-01
37b		Coil Mounting Base - Right	68-102752-02
38		Post - Outdoor Coil (Front)	AS-90701-08H
38a		Air Stop - Front	AE-90706-21
39		Post - Outdoor Coil (Rear)	AS-90702-06H
39a		Air Stop - Rear	AE-90706-20
41a		Top Support - Inner Condenser Coil (2)	AE-90612-25
41b		Top Support - Condenser Bulkhead	AE-90612-24
		Filter Drier - Liquid Line (2)	83-22755-13
	Stk	High Pressure Control (2)	47-23699-04
	Stk	Low Pressure Control (2)	47-101529-09

No.	Notes	MODEL TECHNICAL VARIATION COOLING CAPACITY	RKRL- H 240
COIL GROUP			
EVAPORATOR COIL GROUP:			
40		Air Flow Panel	AS-90828-02H
42	Stk	Complete Coil - Indoor	AS-104258-03
	Stk	TXV/Distributor Assembly - Circuit #1	61-102815-01
	Stk	TXV/Distributor Assembly - Circuit #2	61-102815-01
43	Stk	Drain Pan - Removable	68-102699-01
FILTER PIECES:			
44		Filter Frame	AE-90606-10
45		Air Stop - Bottom	AE-102712-17
46		Air Stop - Side	AE-102712-14
47		Top Air Stop Assembly	AS-90604-04
48		Filter Channel (2)	AE-102712-16
49		Filter Slide (2)	AE-102712-15
50		Filter - 20 in. x 25 in. x 2 in. (8)	54-42541-04
CONDENSER COIL:			
37	Stk	Condenser Coil Assembly (2)	65-101478-09
38a		Air Stop - Front	AE-90706-25
38b		Corner Brace - Top Front	AS-90706-16H
38c		Post - Outdoor Coil (Front)	AS-90706-22H
39a		Air Stop - Rear	AE-90706-24
39b		Corner Brace - Top Rear	AS-90706-17H
39c		Post - Outdoor Coil (Rear)	AS-90706-23H
41		Air Stop- Top Right	AS-90753-08H
41a		Top Support - Inner Condenser Coil (2)	AE-90612-28
41b		Top Support - Outer Condenser Coil	AE-90612-20
41c		Top Support - Condenser Bulkhead	AE-90612-27
		Filter Drier - Liquid Line (2)	83-22755-11
	Stk	High Pressure Control (2)	47-23699-04
	Stk	Low Pressure Control (2)	47-101529-09

No.	Notes	MODEL TECHNICAL VARIATION COOLING CAPACITY ELECTRICAL DESIGNATION	RKRL- H 090 C	RKRL- H 120 C
COMPRESSOR GROUP				
		Compressor ID:	8649	8655
75	Stk	Compressor #1	55-102045-21S	55-102045-83S
75	Stk	Compressor #2	55-102045-21S	55-102045-83S
	Stk	Plug Harness - Compressor #1	45-102708-01	45-102708-01
	Stk	Plug Harness - Compressor #2	45-102708-02	45-102708-02

No.	Notes	MODEL TECHNICAL VARIATION COOLING CAPACITY ELECTRICAL DESIGNATION	RKRL- H 090 D	RKRL- H 120 D
COMPRESSOR GROUP				
		Compressor ID:	8650	8656
75	Stk	Compressor #1	55-102045-20S	55-102045-84S
75	Stk	Compressor #2	55-102045-20S	55-102045-84S
	Stk	Plug Harness - Compressor #1	45-102708-01	45-102708-01
	Stk	Plug Harness - Compressor #2	45-102708-02	45-102708-02

No.	Notes	MODEL TECHNICAL VARIATION COOLING CAPACITY ELECTRICAL DESIGNATION	RKRL- H 180 C	RKRL- H 240 C
COMPRESSOR GROUP				
		Compressor:	8661	8667
75a	Stk	Compressor #1	55-23156-29S	55-102471-01S
75b	Stk	Compressor #2	55-23156-29S	55-102471-24S
	Stk	Plug Harness - Compressor #1	45-42522-73	45-42522-73
	Stk	Plug Harness - Compressor #2	45-42522-72	45-42522-72
		High Pressure Control	See Coil Group	
		Low Pressure Control	See Coil Group	

No.	Notes	MODEL TECHNICAL VARIATION COOLING CAPACITY ELECTRICAL DESIGNATION	RKRL- H 180 D	RKRL- H 240 D
COMPRESSOR GROUP				
		Compressor:	8662	8668
75a	Stk	Compressor #1	55-23156-30S	55-102471-04S
75b	Stk	Compressor #2	55-23156-30S	55-102471-25S
	Stk	Plug Harness - Compressor #1	45-42522-73	45-42522-73
	Stk	Plug Harness - Compressor #2	45-42522-72	45-42522-72
		High Pressure Control	See Coil Group	
		Low Pressure Control	See Coil Group	

No.	Notes	MODEL TECHNICAL VARIATION COOLING CAPACITY ELECTRICAL DESIGNATION HEATING CAPACITY	RKRL- H 090-120 C 15	RKRL- H 090-120 D 15	RKRL- H 090-120 C 22	RKRL- H 090-120 D 22
			HEAT EXCHANGER, BURNER / MANIFOLD			
98	Stk	Heat Exchanger	AS-90645-01	AS-90645-01	AS-90645-03	AS-90645-03
99		Inducer Mounting Plate Gasket	68-42518-02	68-42518-02	68-42518-02	68-42518-02
100		Turbulators	AE-58922-01 (6)	AE-58922-01 (6)	AE-58922-01 (9)	AE-58922-01 (9)
101		Inducer Mounting Plate	AE-90675-03	AE-90675-03	AE-90675-02	AE-90675-02
102		Inducer Blower Gasket (2)	68-23643-02	68-23643-02	68-23643-02	68-23643-02
103		Burner Support Brackets (2)	AE-90642-02	AE-90642-02	AE-90642-02	AE-90642-02
104		Burner Support	AE-90643-01	AE-90643-01	AE-90643-01	AE-90643-01
105	Stk	Spark Ignitor	62-23556-08	62-23556-08	62-23556-08	62-23556-08
106	Stk	Burner Assembly	AS-90772-01	AS-90772-01	AS-90772-02	AS-90772-02
107		Burner Orifices - Natural Gas	See Orifice Selection Chart			
107		Burner Orifices - LP	See Orifice Selection Chart			
107		Number of Orifices	(6)	(6)	(9)	(9)
108		Square Head Plug	81-23593-01 (4)	81-23593-01 (4)	81-23593-01 (1)	81-23593-01 (1)
109	Stk	Manifold	81-42509-03	81-42509-03	81-42509-02	81-42509-02
110		Gas Valve	See Gas Controls			
111		Street Elbow - 1/2 in. 90 degree	81-40271-04	81-40271-04	N/A	N/A
112	Stk	Flame Sensor	62-23543-02	62-23543-02	62-23543-02	62-23543-02
113a,b	Stk	Pressure Switch (2)	42-24335-25	42-24335-25	42-24335-23	42-24335-23
114		Pressure Switch Mounting Bracket (Single Mount)	AE-90635-05 (2)	AE-90635-05 (2)	AE-90635-05 (2)	AE-90635-05 (2)
115		Heat Shield	AE-90644-02	AE-90644-02	AE-90644-02	AE-90644-02
116	Stk	Limit - Manual Reset (Burner Compartment) (2)	47-22861-01	47-22861-01	47-22861-01	47-22861-01
117	Stk	Induced Draft Blower w/Gasket (2)	70-23641-01	70-23641-02	70-23641-01	70-23641-02
118		Flue Duct (2)	75-23678-01	75-23678-01	75-23678-01	75-23678-01
		Gasket - Flue Duct (4)	68-23680-04	68-23680-04	68-23680-04	68-23680-04
	Stk	Limit - Main Limit (Heat Exchanger Panel)	47-25349-09	47-25349-09	47-25349-02	47-25349-02

No.	Notes	MODEL TECHNICAL VARIATION COOLING CAPACITY ELECTRICAL DESIGNATION HEATING CAPACITY	RKRL-	RKRL-	RKRL-	RKRL-
			H 180 C 25	H 180 D 25	H 180 C 35	H 180 D 35
HEAT EXCHANGER, BURNER / MANIFOLD						
98	Stk	Heat Exchanger	AS-90645-12	AS-90645-12	AS-90645-15	AS-90645-15
99		Inducer Mounting Plate Gasket	68-42518-03	68-42518-03	68-42518-03	68-42518-03
100		Turbulators	AE-58922-02 (10)	AE-58922-02 (10)	AE-58922-02 (14)	AE-58922-02 (14)
101		Inducer Mounting Plate	AE-90675-08	AE-90675-08	AE-90675-06	AE-90675-06
102		Inducer Blower Gasket	68-23643-02 (2)	68-23643-02 (2)	68-23643-02 (3)	68-23643-02 (3)
103		Burner Support Brackets (2)	AE-90642-02	AE-90642-02	AE-90642-02	AE-90642-02
104		Burner Support	AS-90830-01	AS-90830-01	AS-90830-01	AS-90830-01
105	Stk	Spark Ignitor	62-23556-10	62-23556-10	62-23556-10	62-23556-10
106	Stk	Burner Assembly	AS-90641-29	AS-90641-29	AS-90641-30	AS-90641-30
107		Burner Orifices - Natural Gas	See Orifice Selection Chart			
107		Burner Orifices - LP	See Orifice Selection Chart			
107		Number of Orifices	(10)	(10)	(14)	(14)
108		Square Head Plug	81-23593-01 (3)	81-23593-01 (3)	81-23593-01 (1)	81-23593-01 (1)
109	Stk	Manifold	81-42509-07	81-42509-07	81-42509-04	81-42509-04
110		Gas Valve	See Gas Controls			
111		Street Elbow - 3/4 in. 90 degree	81-40271-05	81-40271-05	81-40271-05	81-40271-05
		Nipple - 3/4 in. x 2-1/2 in.	81-40383-04	81-40383-04	81-40383-04	81-40383-04
		Standard Elbow - 3/4 in.	81-40394-05	81-40394-05	N/A	N/A
		Standard Elbow - 1 in. x 3/4 in. 90 degree	N/A	N/A	81-40394-24	81-40394-24
112	Stk	Flame Sensor	62-23543-02	62-23543-02	62-23543-02	62-23543-02
113A	Stk	Pressure Switch - High	42-24335-23 (1)	42-24335-23 (1)	42-24335-23 (1)	42-24335-23 (1)
113B	Stk	Pressure Switch - Low	42-24335-24 (1)	42-24335-24 (1)	42-24335-24 (2)	42-24335-24 (2)
114A		Pressure Switch Mounting Bracket (Single Mount)	AE-90635-05 (1)	AE-90635-05 (1)	AE-90635-05 (2)	AE-90635-05 (2)
114B		Pressure Switch Mounting Bracket (Dual Mount)	AE-90635-04	AE-90635-04	AE-90635-04	AE-90635-04
115		Heat Shield	AE-90644-03	AE-90644-03	AE-90644-03	AE-90644-03
116	Stk	Limit - Manual Reset (Burner Compartment) (4)	47-22861-01	47-22861-01	47-22861-01	47-22861-01
117	Stk	Induced Draft Blower w/Gasket	70-23641-01 (2)	70-23641-02 (2)	70-23641-01 (3)	70-23641-02 (3)
118		Flue Duct	75-23678-01 (2)	75-23678-01 (2)	75-23678-01 (3)	75-23678-01 (3)
		Gasket - Flue Duct	68-23680-04 (4)	68-23680-04 (4)	68-23680-04 (6)	68-23680-04 (6)
	Stk	Limit - Main Limit (Heat Exchanger Panel)	47-25349-09	47-25349-09	47-25349-03	47-25349-03

No.	Notes	MODEL TECHNICAL VARIATION COOLING CAPACITY ELECTRICAL DESIGNATION HEATING CAPACITY	RKRL-	RKRL-	RKRL-	RKRL-
			H 240 C 30	H 240 D 30	H 240 C 40	H 240 D 40
HEAT EXCHANGER, BURNER / MANIFOLD						
98	Stk	Heat Exchanger	AS-90645-16	AS-90645-16	AS-90645-15	AS-90645-15
99		Inducer Mounting Plate Gasket	68-42518-03	68-42518-03	68-42518-03	68-42518-03
100		Turbulators	AE-58922-02 (12)	AE-58922-02 (12)	AE-58922-02 (14)	AE-58922-02 (14)
101		Inducer Mounting Plate	AE-90675-07	AE-90675-07	AE-90675-05	AE-90675-05
102		Inducer Blower Gasket	68-23643-02 (3)	68-23643-02 (3)	68-23643-02 (4)	68-23643-02 (4)
103		Burner Support Brackets (2)	AE-90642-02	AE-90642-02	AE-90642-02	AE-90642-02
104		Burner Support	AS-90830-01	AS-90830-01	AS-90830-01	AS-90830-01
105	Stk	Spark Ignitor	62-23556-10	62-23556-10	62-23556-10	62-23556-10
106	Stk	Burner Assembly	AS-90641-31	AS-90641-31	AS-90641-25	AS-90641-25
107		Burner Orifices - Natural Gas	See Orifice Selection Chart			
107		Burner Orifices - LP	See Orifice Selection Chart			
107		Number of Orifices	(12)	(12)	(14)	(14)
108		Square Head Plug	81-23593-01 (1)	81-23593-01 (1)	81-23593-01 (1)	81-23593-01 (1)
109	Stk	Manifold	81-42509-07	81-42509-07	81-42509-04	81-42509-04
110		Gas Valve	See Gas Controls			
111		Street Elbow - 3/4 in. 90 degree	81-40271-05	81-40271-05	81-40271-05	81-40271-05
		Nipple - 3/4 in. x 2-1/2 in.	81-40383-04	81-40383-04	81-40383-04	81-40383-04
		Standard Elbow - 3/4 in.	81-40394-05	81-40394-05	N/A	N/A
		Standard Elbow - 1 in. x 3/4 in. 90 degree	N/A	N/A	81-40394-24	81-40394-24
112	Stk	Flame Sensor	62-23543-02	62-23543-02	62-23543-02	62-23543-02
113A	Stk	Pressure Switch - High	42-24335-21 (1)	42-24335-21 (1)	42-24335-23 (2)	42-24335-23 (2)
113B	Stk	Pressure Switch - Low	42-24335-24 (2)	42-24335-24 (2)	42-24335-24 (2)	42-24335-24 (2)
114A		Pressure Switch Mounting Bracket (Single Mount)	AE-90635-05 (2)	AE-90635-05 (2)	AE-90635-05 (2)	AE-90635-05 (2)
114B		Pressure Switch Mounting Bracket (Dual Mount)	AE-90635-04	AE-90635-04	AE-90635-04	AE-90635-04
115		Heat Shield	AE-90644-03	AE-90644-03	AE-90644-03	AE-90644-03
116	Stk	Limit - Manual Reset (Burner Compartment) (4)	47-22861-01	47-22861-01	47-22861-01	47-22861-01
117	Stk	Induced Draft Blower w/Gasket	70-23641-01 (3)	70-23641-02 (3)	70-23641-01 (4)	70-23641-02 (4)
118		Flue Duct	75-23678-01 (3)	75-23678-01 (3)	75-23678-01 (4)	75-23678-01 (4)
		Gasket - Flue Duct	68-23680-04 (6)	68-23680-04 (6)	68-23680-04 (8)	68-23680-04 (8)
	Stk	Limit - Main Limit (Heat Exchanger Panel)	47-25349-14	47-25349-14	47-25349-14	47-25349-14

No.	Notes	MODEL GAS CODE	RKRL- 2P	RKRL- 2Q
GAS CONTROLS				
110	Stk	Gas Valve - Natural Gas	60-101778-01	60-102405-01
110	Stk	Gas Valve - LP	See Note 2	See Note 1
61b	Stk	Integrated Furnace Control Board (IFC)	62-102860-02	62-102860-02
111		Street Elbow	See Heat Exchanger Group	
	Stk	LP Conversion Kit	FP-14	FP-24

No.	Notes	MODEL TECHNICAL VARIATION COOLING CAPACITY	RKRL- H 090-120
ACCESSORIES			
		Louver Panel - Option (7.5 Ton)	AXRX-AAD02A
		Louver Panel - Option (10 Ton)	AXRX-AAD03A
		Carbon Dioxide Sensor	RXXR-AR02
		Dual Enthalpy Kit	RXXR-AV03
		Manual Fresh Air Damper (Left Panel Mounted)	AXRF-KDA1
		Motor Kit for RXRF-KDA1	RXXR-AW02
		Modulating Motor Kit (w/Position Feedback) for RXRF-KDA1	RXXR-AW04
		Manual Fresh Air (Horizontal Return Mounted)	AXRF-JDA1
		Motorized Fresh Air Damper (Horizontal Return Mounted)	AXRF-JDB1
		Low Ambient Control Kit (One per Compressor)	RXRZ-C02
		Unwired Convenience Outlet	RXXR-AN01
		Unfused Service Disconnect	RXXR-AP01
		Comfort Alert (1 per compressor)	RXXR-AZ01
		BACnet Communication Card	RXXR-AY01
		LonWorks Communication Card	RXXR-AY02

No.	Notes	MODEL TECHNICAL VARIATION COOLING CAPACITY	RKRL- H 090-120
ECONOMIZERS			
		Economizer w/Single Enthalpy (Downflow)	AXRD-PJCM3
		Economizer w/Single Enthalpy and Smoke Detector(Downflow)	AXRD-SJCM3
		Economizer w/Single Enthalpy (Horizontal)	AXRD-RJCM3

No.	Notes	MODEL TECHNICAL VARIATION COOLING CAPACITY	RKRL- H 090-120
POWER EXHAUST			
		Power Exhaust (208/230V)	RXXR-BFF02C
		Power Exhaust (460V)	RXXR-BFF02D
		Power Exhaust (575V)	RXXR-BFF02Y

No.	Notes	MODEL TECHNICAL VARIATION COOLING CAPACITY	RKRL- H 180-240
ACCESSORIES			
		Carbon Dioxide Sensor (Wall Mount)	RXXR-AR02
		Dual Enthalpy Kit	RXXR-AV03
		Manual Fresh Air Damper	AXRF-KFA1
		Motorized Kit for Manual Fresh Air Damper	RXXR-AW03
		Modulating Motor Kit w/position feedback for AXRF-KFA1	RXXR-AW05
		Unwired Convenience Outlet	RXXR-AN01
		Unfused Service Disconnect	RXXR-AP01
		Low Ambient Control Kit (One per Compressor)	RXRZ-C02
		Comfort Alert (One per Compressor)	RXXR-AZ01
		BACnet Communication Card	RXXR-AY01
		LonWorks Communication Card	RXXR-AY02

No.	Notes	MODEL TECHNICAL VARIATION COOLING CAPACITY	RKRL- H 180-240
ECONOMIZERS			
		Downflow Economizer - Single Enthalpy (DDC)	AXRD-PMCM3
		Downflow Economizer - Single Enthalpy w/Smoke Detector (DDC)	AXRD-SMCM3
		Horizontal Economizer - Single Enthalpy (DDC)	AXRD-RMCM3

No.	Notes	MODEL TECHNICAL VARIATION COOLING CAPACITY	RKRL- H 180-240
POWER EXHAUST			
		Power Exhaust (208/230V)	RXXR-BGF05C
		Power Exhaust (460V)	RXXR-BGF05D
		Power Exhaust (575V)	RXXR-BGF05Y

PACKAGE EQUIPMENT - ORIFICE SELECTION CHART - NATURAL GAS

CAUTION: Selection of the correct Natural Gas Orifice requires the following information for the specific installation:

- 1) Furnace Input Rating (BTU/HR)
- 2) Number of Burners
- 2) Altitude (ft.)

For detailed information and instructions for Orifice selection, see the Gas Furnace LP Conversion Kit Index 92-21519-47 and the latest edition of the National Fuel Gas Code Handbook, or the National Standard of Canada, Natural Gas and Propane Installation Code, CAN B149.1.

CAUTION: This information is provided for replacement purposes only. Conversion for operation at High Altitude must be done using the kit specified on the product specification sheet for the unit.

NOTE: This Orifice sizing chart is based on a Natural Gas heating value of 1075 BTU/cu. ft and a pressure setting of 3.5 in. water column.

NOTE: Factory installed orifices are calculated and sized based on a Natural Gas heating value of 1075 BTU/cu. ft. and an elevation of 0 - 2000 ft.

Furnace Input Rating (BTU/HR)	Canadian High Altitude Derated Input (BTU/HR)	Number of Burners	Elevation (ft.)					
			Country					
			0 - 2000 U.S.	2001 - 4000 U.S.	4001 - 6000 U.S.	8000+ U.S.	0 - 2000 Canada	2001 - 4500 Canada
40,000	36,000	2	62-22175-45	62-22175-47	62-22175-48	62-22175-49	62-22175-45	62-22175-15
60,000	54,000	3	62-22175-45	62-22175-47	62-22175-48	62-22175-49	62-22175-45	62-22175-15
72,000	N/A	4	62-22175-15	62-22175-49	62-22175-50	62-22175-51	62-22175-15	N/A
80,000	72,000	4	62-22175-45	62-22175-47	62-22175-48	62-22175-49	62-22175-45	62-22175-15
90,000	N/A	5	62-22175-15	62-22175-49	62-22175-50	62-22175-51	62-22175-15	N/A
100,000	90,000	5	62-22175-45	62-22175-47	62-22175-48	62-22175-49	62-22175-45	62-22175-15
120,000	108,000	6	62-22175-45	62-22175-47	62-22175-48	62-22175-49	62-22175-45	62-22175-15
135,000	121,500	6	62-22175-44	62-22175-45	62-22175-47	62-22175-48	62-22175-44	62-22175-45
150,000	135,000	6	62-22175-42	62-22175-43	62-22175-44	62-22175-45	62-22175-42	62-22175-44
180,000	N/A	9	62-22175-45	62-22175-47	62-22175-48	62-22175-49	62-22175-45	N/A
210,000	N/A	9	62-22175-43	62-22175-44	62-22175-45	62-22175-47	62-22175-43	N/A
210,000	N/A	10	62-22175-45	62-22175-47	62-22175-48	62-22175-49	62-22175-45	N/A
225,000	202,500	9	62-22175-42	62-22175-43	62-22175-44	62-22175-45	62-22175-42	62-22175-44
250,000	225,000	10	62-22175-42	62-22175-43	62-22175-44	62-22175-45	62-22175-42	62-22175-44
252,000	225,000	9	62-22175-40	62-22175-42	62-22175-43	62-22175-44	62-22175-40	62-22175-42
252,000	N/A	12	62-22175-45	62-22175-47	62-22175-48	62-22175-49	62-22175-45	N/A
290,000	N/A	14	62-22175-45	62-22175-47	62-22175-48	62-22175-49	62-22175-45	N/A
300,000	270,000	12	62-22175-42	62-22175-43	62-22175-44	62-22175-45	62-22175-42	62-22175-44
330,000	N/A	14	62-22175-43	62-22175-44	62-22175-45	62-22175-47	62-22175-43	N/A
350,000	315,000	14	62-22175-42	62-22175-43	62-22175-44	62-22175-45	62-22175-42	62-22175-44
400,000	360,000	14	62-22175-40	62-22175-42	62-22175-43	62-22175-44	62-22175-40	62-22175-42

PACKAGE EQUIPMENT - ORIFICE SELECTION CHART - LP

CAUTION: Selection of the correct LP Orifice requires the following information for the specific installation:

- 1) Furnace Input Rating (BTU/HR)
- 2) Number of Burners
- 2) Altitude (ft.)

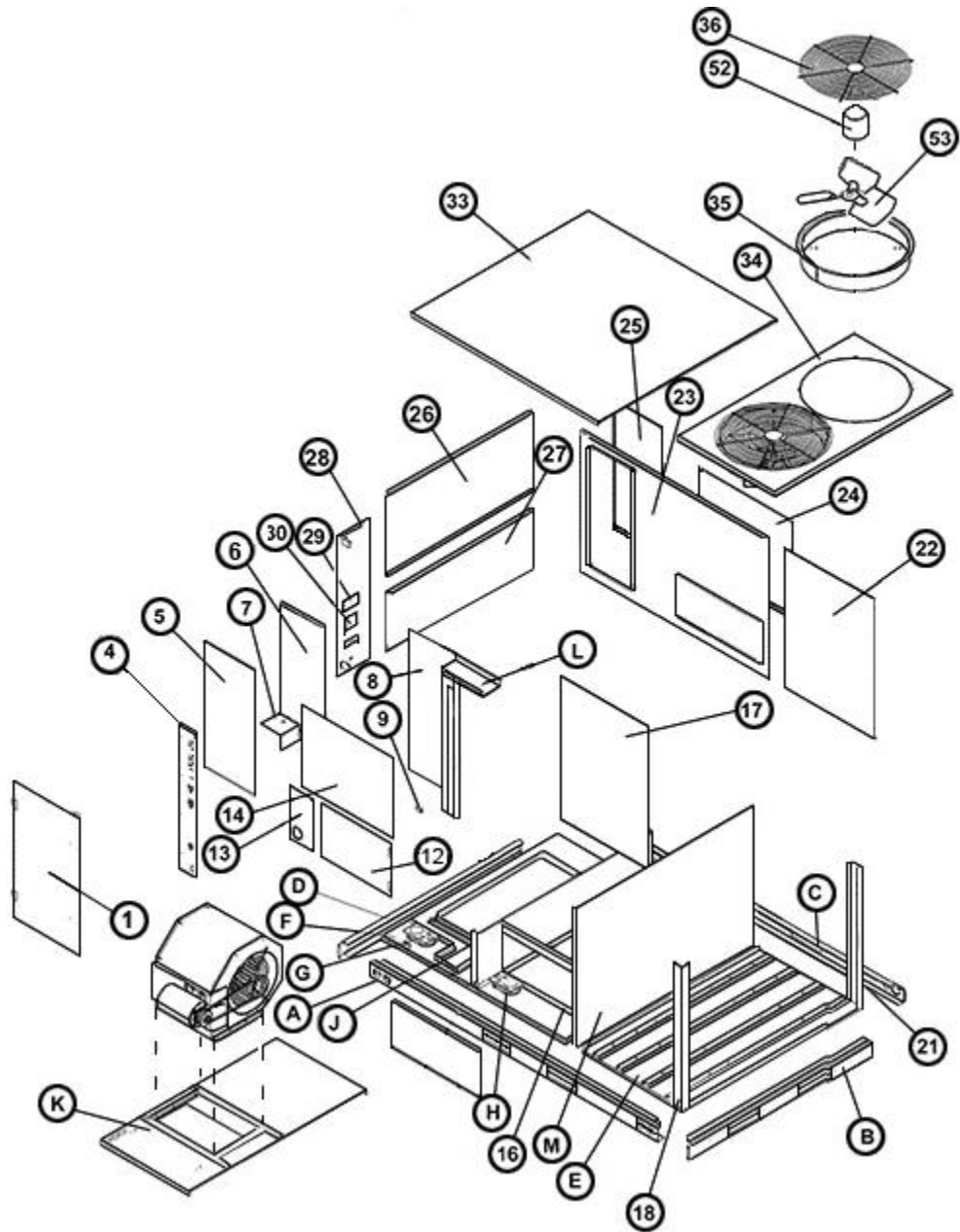
For detailed information and instructions for Orifice selection, see the Gas Furnace LP Conversion Kit Index 92-21519-47 and the latest edition of the National Fuel Gas Code Handbook, or the National Standard of Canada, Natural Gas and Propane Installation Code, CAN B149.1.

CAUTION: This information is provided for replacement purposes only. Conversion to LP or for operation at High Altitude should be done using the kit(s) specified on the product specification sheet for the unit.

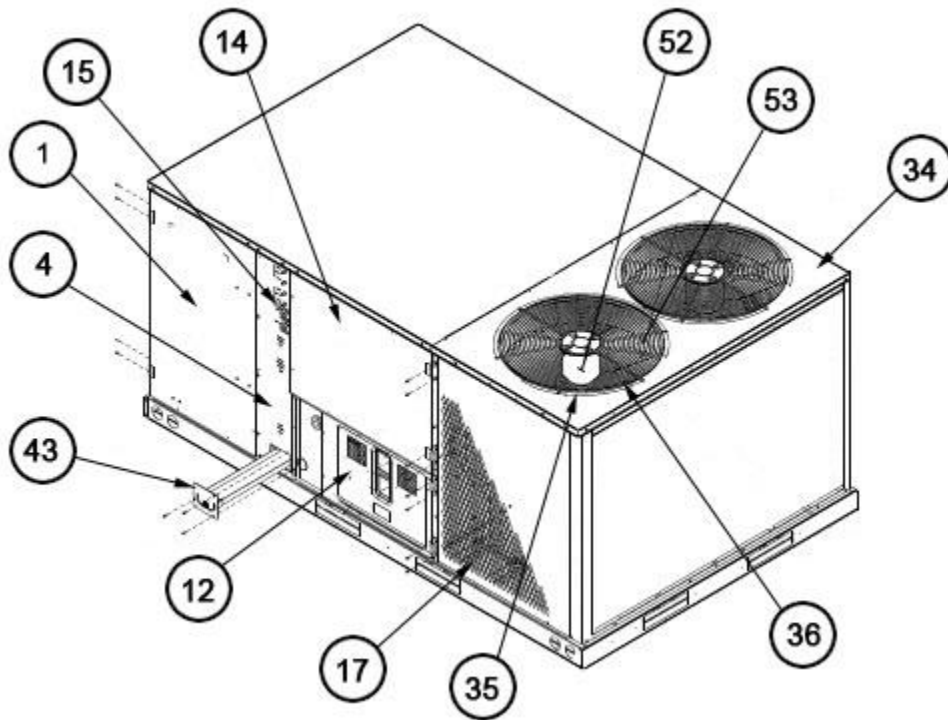
NOTE: This Orifice sizing chart is developed using the specified pressure setting of 10 in. water column instead of the 11.0 in water column used by the NFG and CANB149.1.

NOTE: Orifices supplied in the LP Conversion Kit are calculated and sized based on a heating value of 2500 BTU/cu. ft. and an elevation of 0 - 2000 ft.

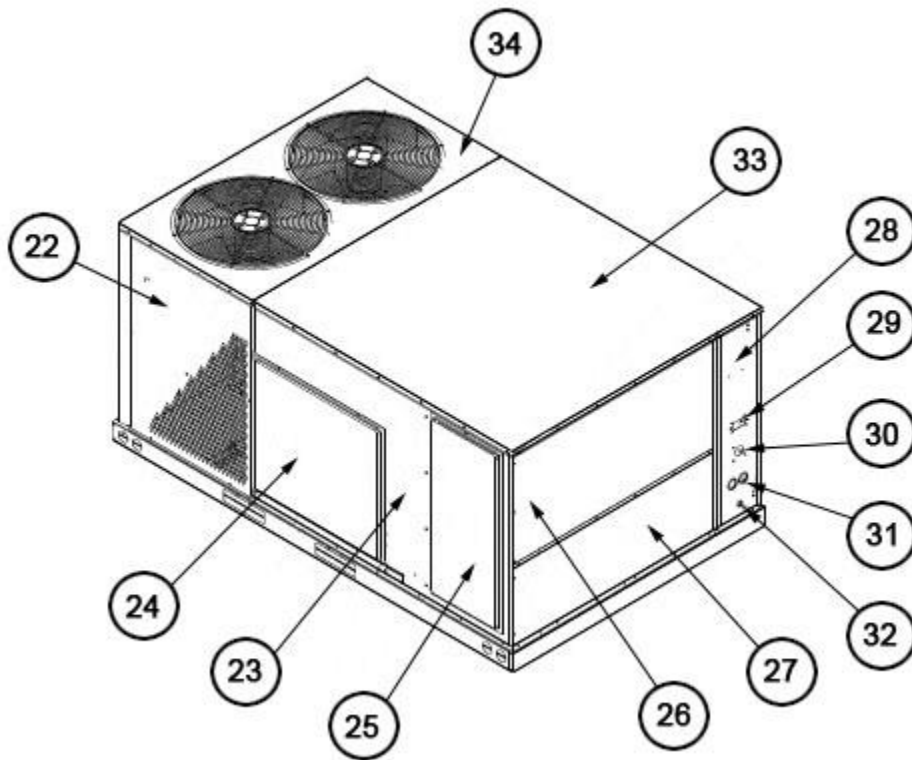
Furnace Input Rating (BTU/HR)	Canadian High Altitude Derated Input (BTU/HR)	Number of Burners	Elevation (ft.)					
			Country					
			0 - 2000 U.S.	2001 - 4000 U.S.	4001 - 6000 U.S.	8000+ U.S.	0 - 2000 Canada	2001 - 4500 Canada
40,000	36,000	2	62-22175-55	62-22175-55	62-22175-56	62-22175-56	62-22175-55	62-22175-13
60,000	54,000	3	62-22175-55	62-22175-55	62-22175-56	62-22175-56	62-22175-55	62-22175-13
72,000	N/A	4	62-22175-13	62-22175-57	62-22175-57	62-22175-59	62-22175-13	N/A
80,000	72,000	4	62-22175-55	62-22175-55	62-22175-56	62-22175-56	62-22175-55	62-22175-13
90,000	N/A	5	62-22175-13	62-22175-57	62-22175-57	62-22175-59	62-22175-13	N/A
100,000	90,000	5	62-22175-55	62-22175-55	62-22175-56	62-22175-56	62-22175-55	62-22175-13
120,000	108,000	6	62-22175-55	62-22175-55	62-22175-56	62-22175-56	62-22175-55	62-22175-13
135,000	121,500	6	62-22175-54	62-22175-55	62-22175-55	62-22175-56	62-22175-54	62-22175-55
150,000	135,000	6	62-22175-54	62-22175-55	62-22175-55	62-22175-56	62-22175-54	62-22175-54
180,000	N/A	9	62-22175-55	62-22175-55	62-22175-56	62-22175-56	62-22175-55	N/A
210,000	N/A	9	62-22175-54	62-22175-55	62-22175-55	62-22175-56	62-22175-54	N/A
210,000	N/A	10	62-22175-55	62-22175-55	62-22175-56	62-22175-56	62-22175-55	N/A
225,000	202,500	9	62-22175-54	62-22175-55	62-22175-55	62-22175-56	62-22175-54	62-22175-54
250,000	225,000	10	62-22175-54	62-22175-55	62-22175-55	62-22175-56	62-22175-54	62-22175-54
252,000	225,000	9	62-22175-53	62-22175-54	62-22175-54	62-22175-55	62-22175-53	62-22175-54
252,000	N/A	12	62-22175-55	62-22175-55	62-22175-56	62-22175-56	62-22175-55	N/A
290,000	N/A	14	62-22175-55	62-22175-55	62-22175-56	62-22175-56	62-22175-55	N/A
300,000	270,000	12	62-22175-54	62-22175-55	62-22175-55	62-22175-56	62-22175-54	62-22175-54
330,000	N/A	14	62-22175-54	62-22175-55	62-22175-55	62-22175-56	62-22175-54	N/A
350,000	315,000	14	62-22175-54	62-22175-55	62-22175-55	62-22175-56	62-22175-54	62-22175-54
400,000	360,000	14	62-22175-53	62-22175-54	62-22175-54	62-22175-55	62-22175-53	62-22175-54



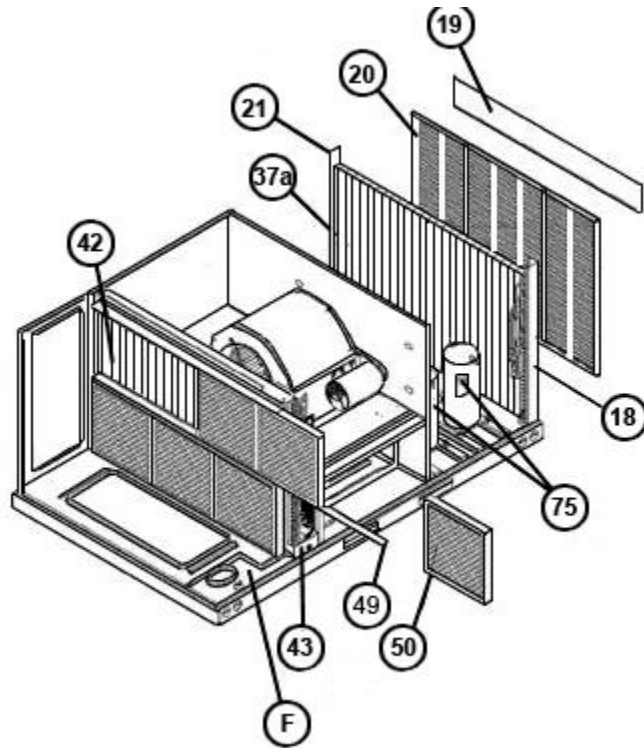
Exploded View 090-120



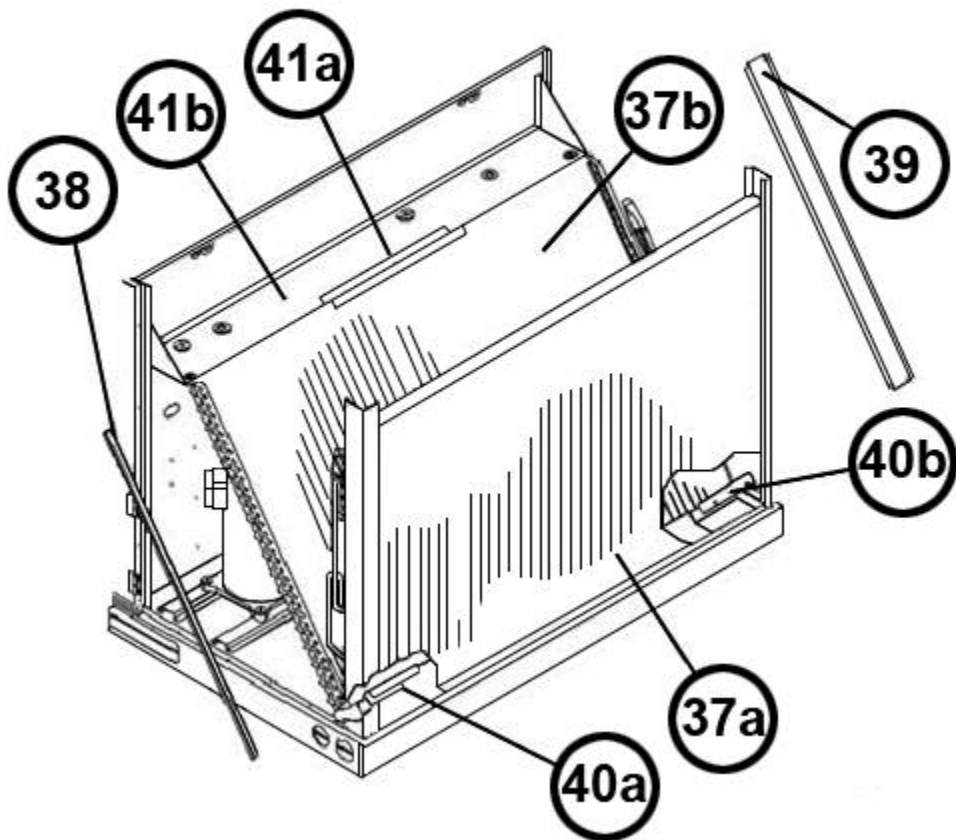
Exterior - Front 090-120



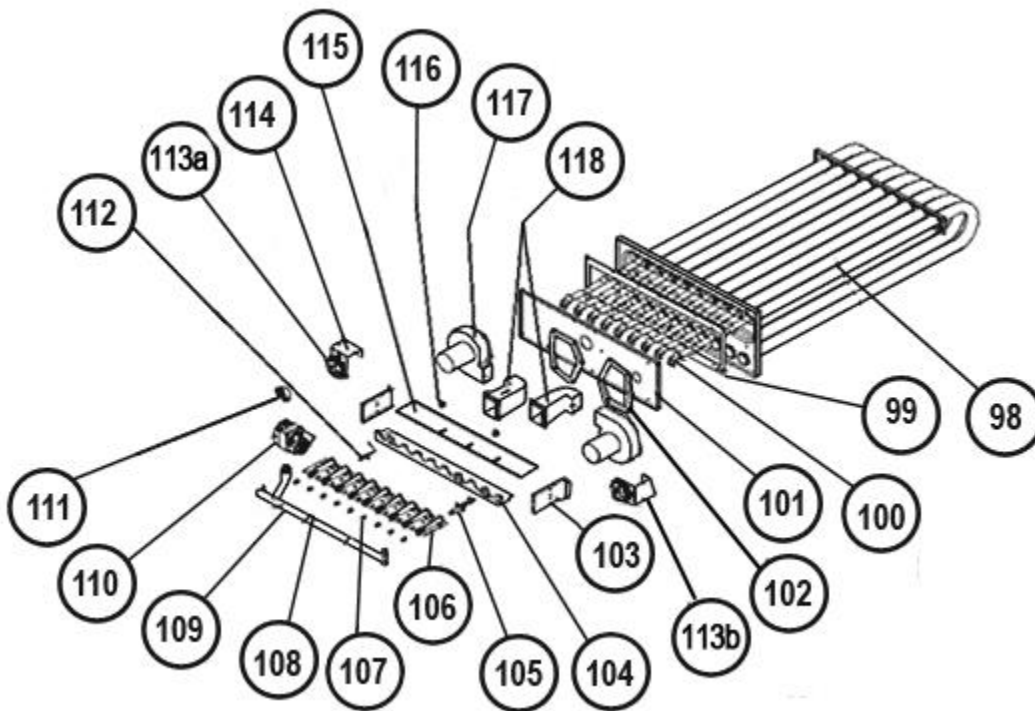
Exterior - Back 090-120



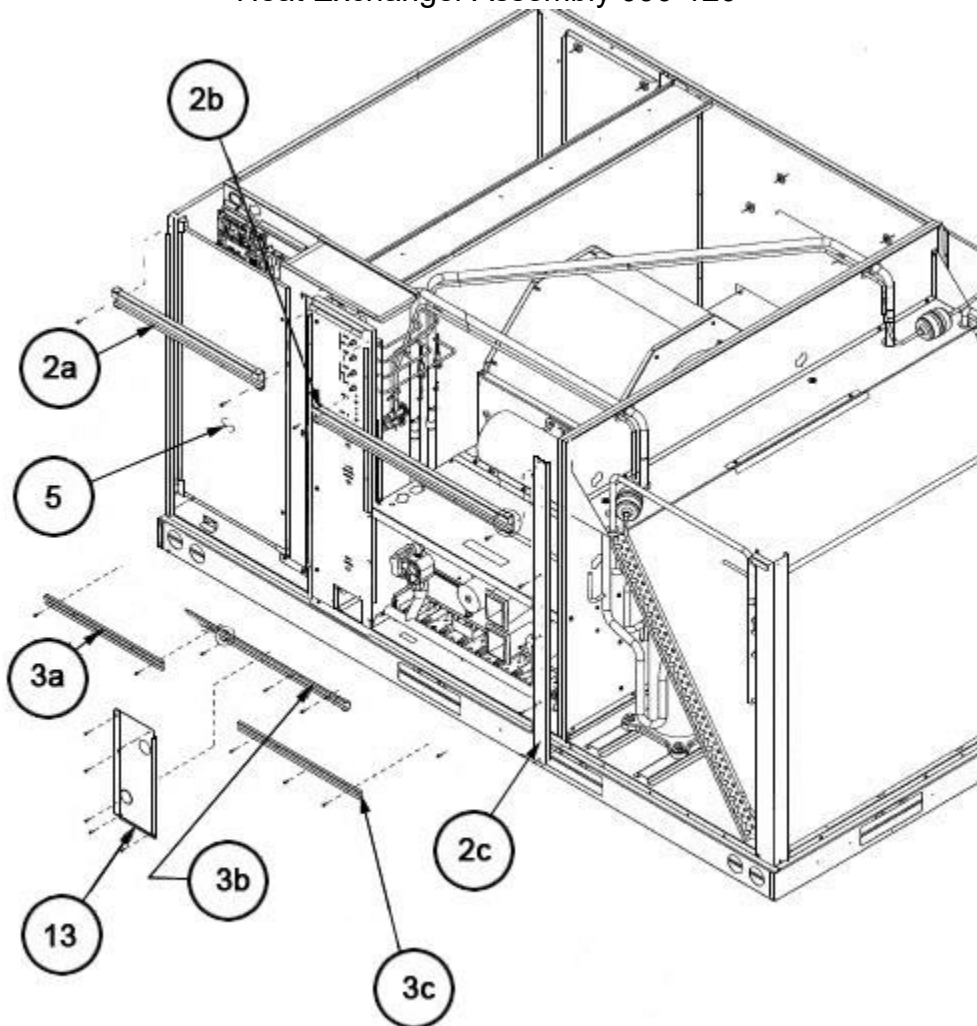
Filter-Coil Assembly 090-120



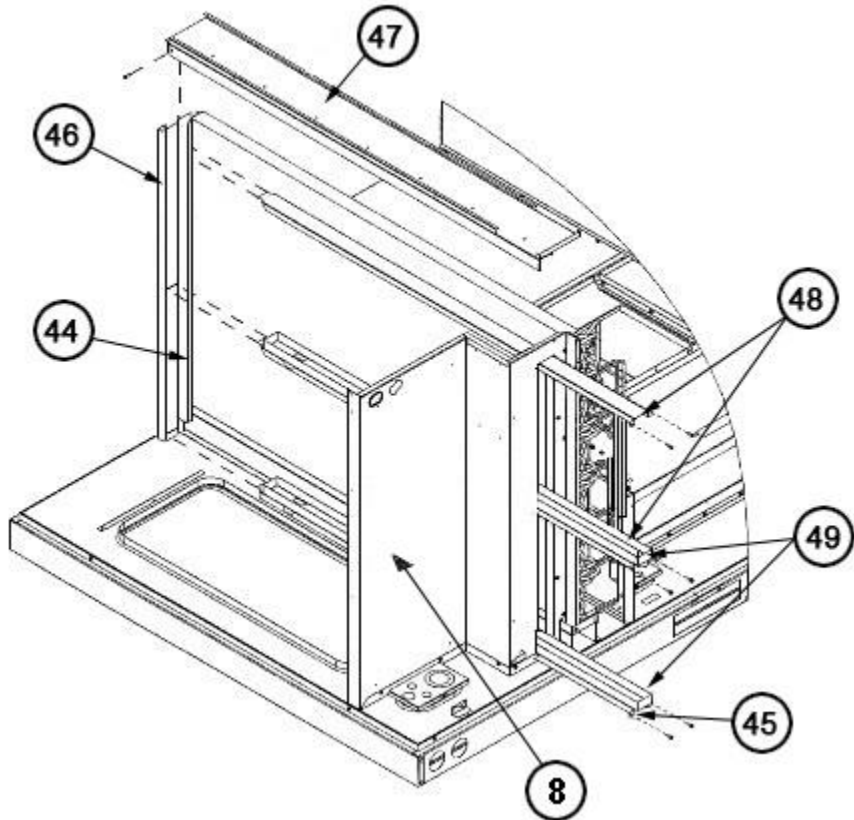
Condenser Coil Assembly 090-120



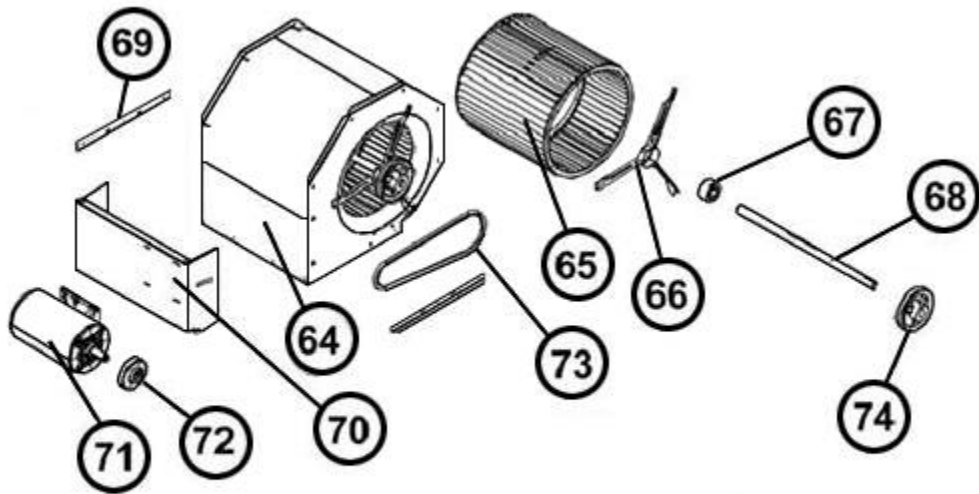
Heat Exchanger Assembly 090-120



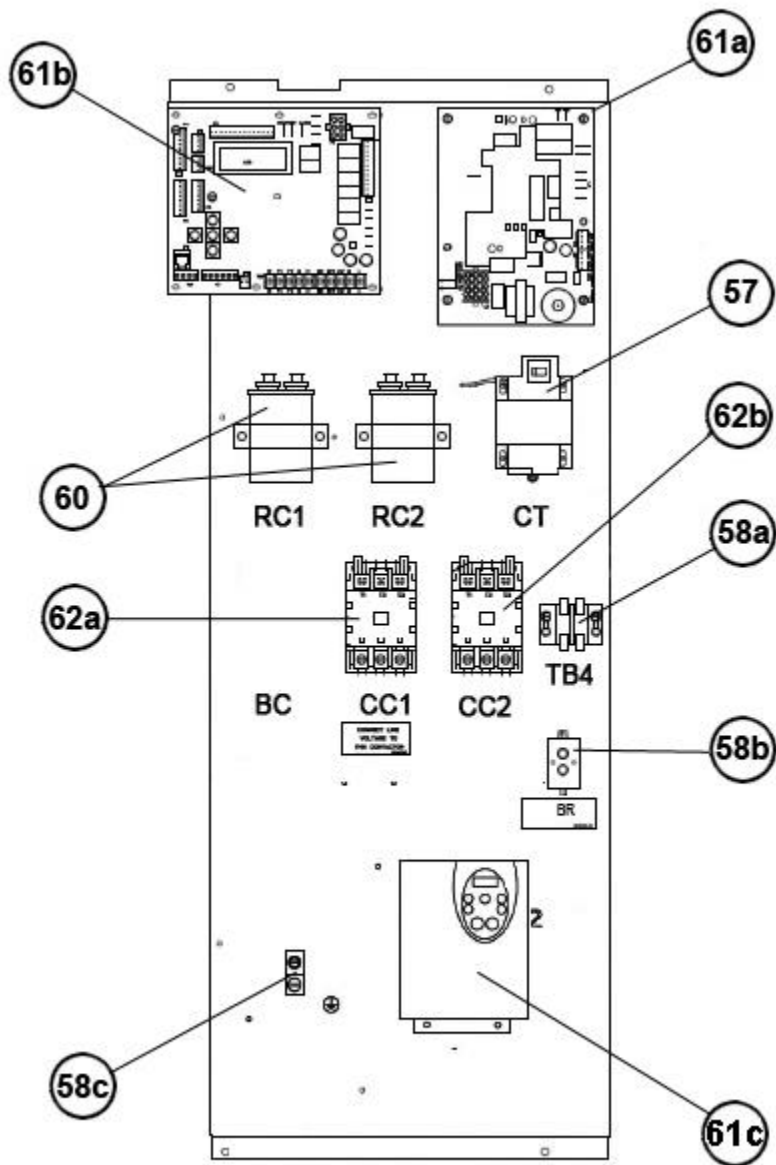
Front Panel Brackets 090-120



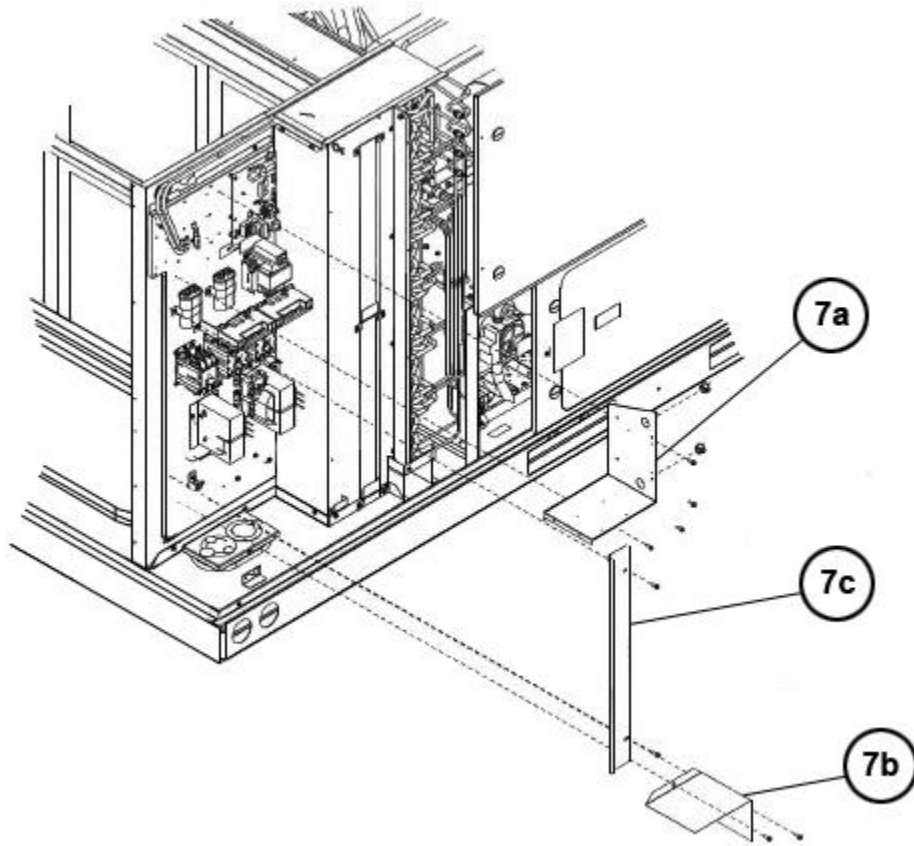
Filter Frame Assembly 090-120



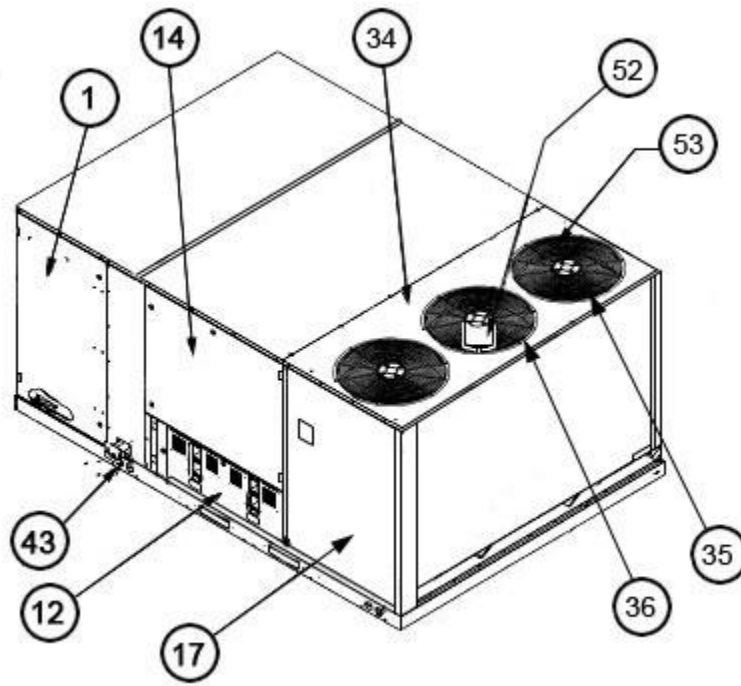
Blower Assembly 090-120



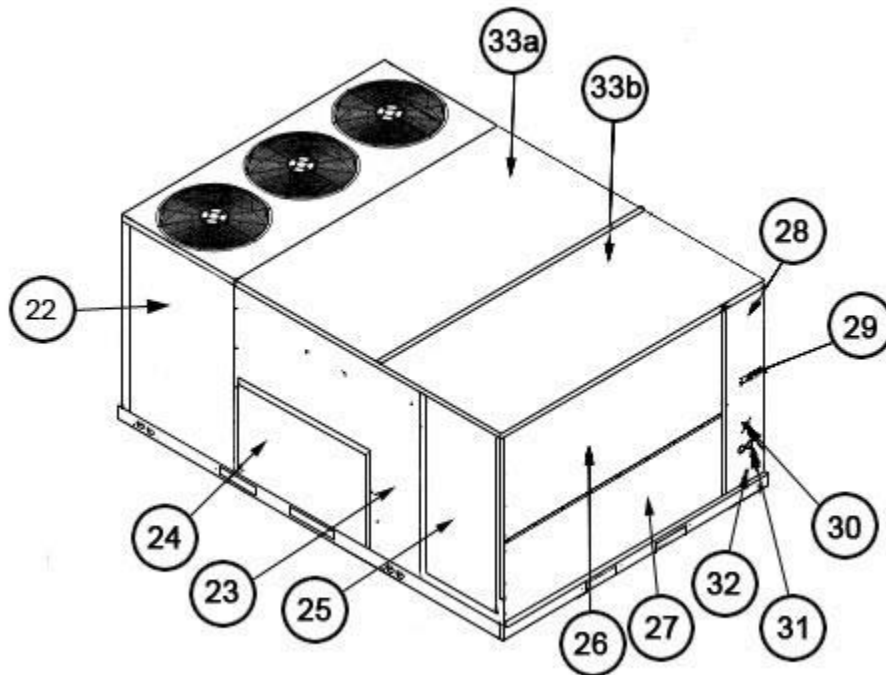
Control Box 090-120



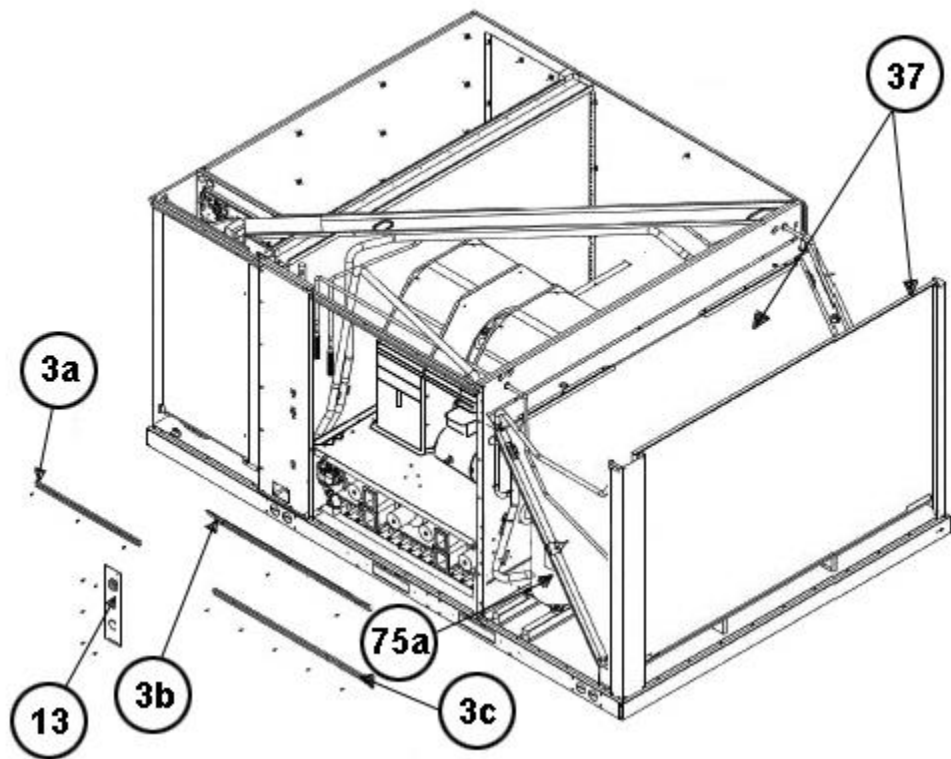
Low Voltage Shields 090-120



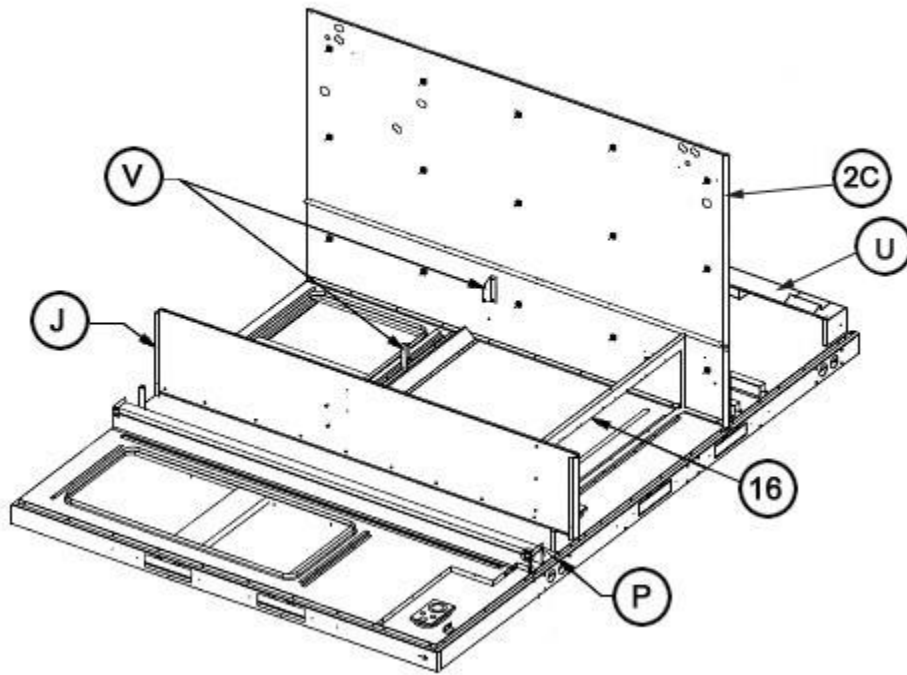
Exterior - Front 180



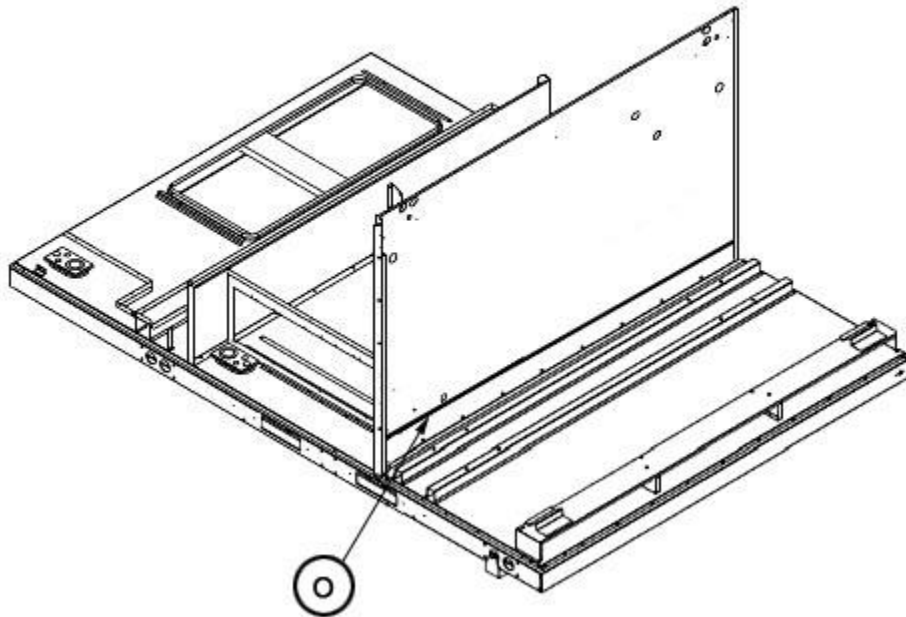
Exterior - Back 180



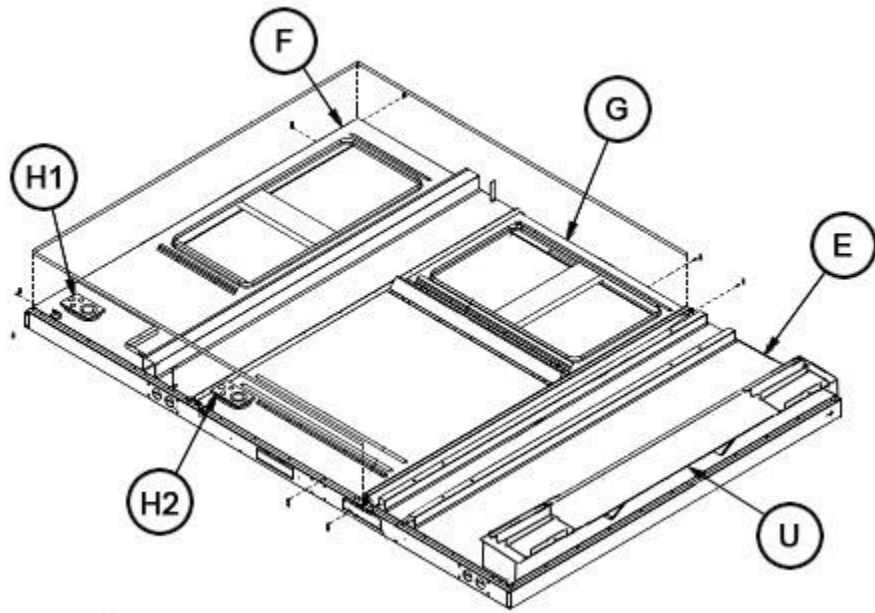
Front Panel Brackets 180



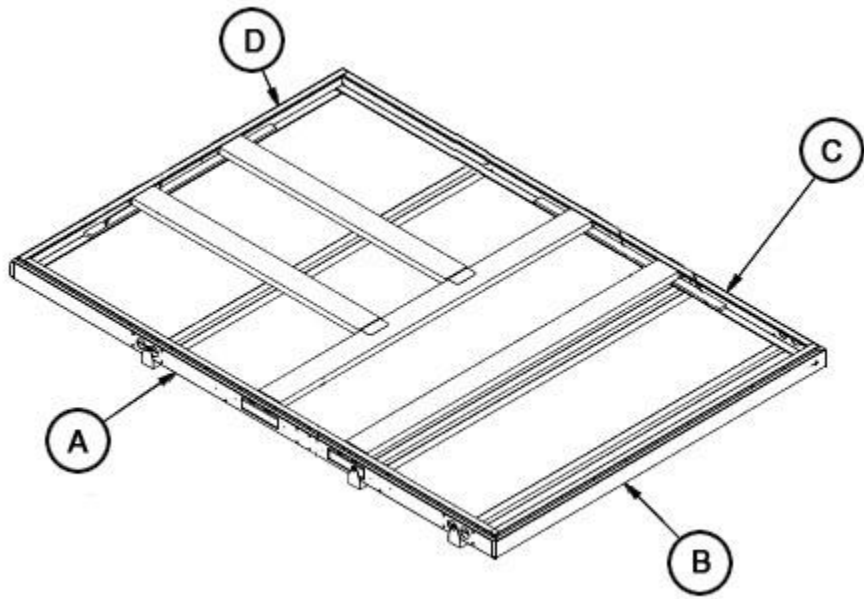
Heat Compartment 180



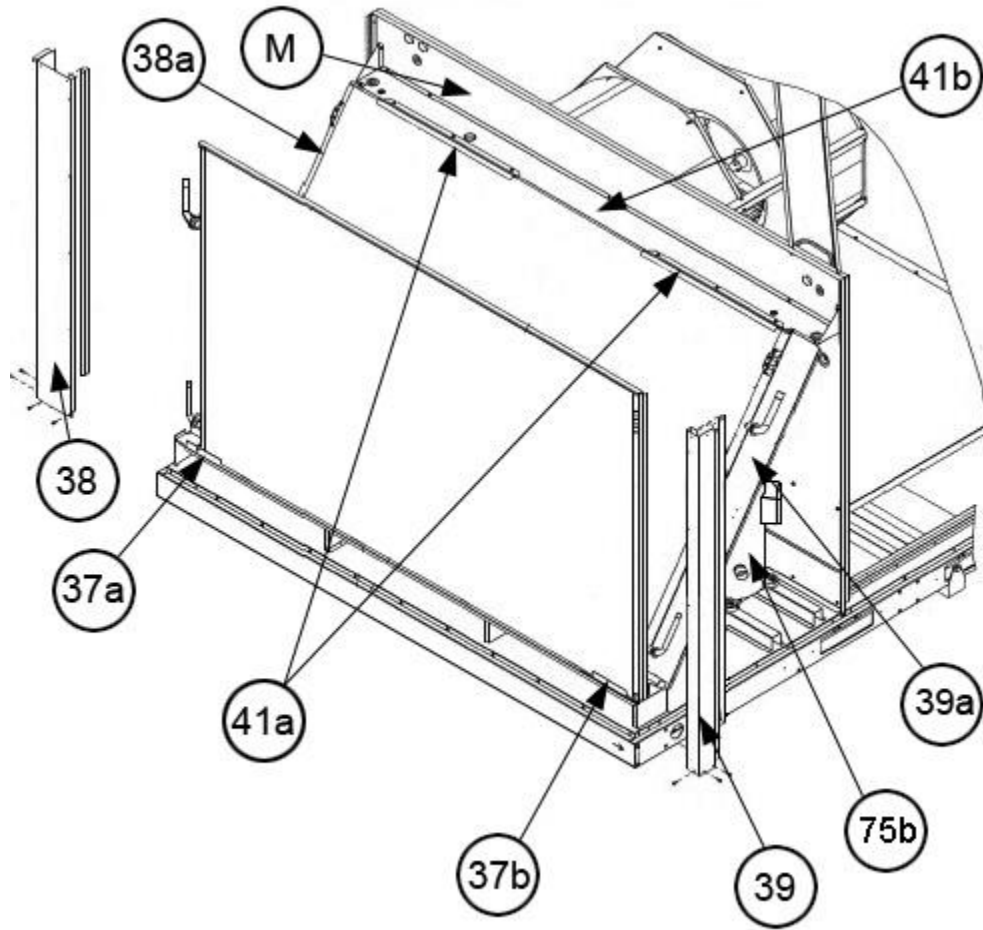
Condenser Bulkhead 180



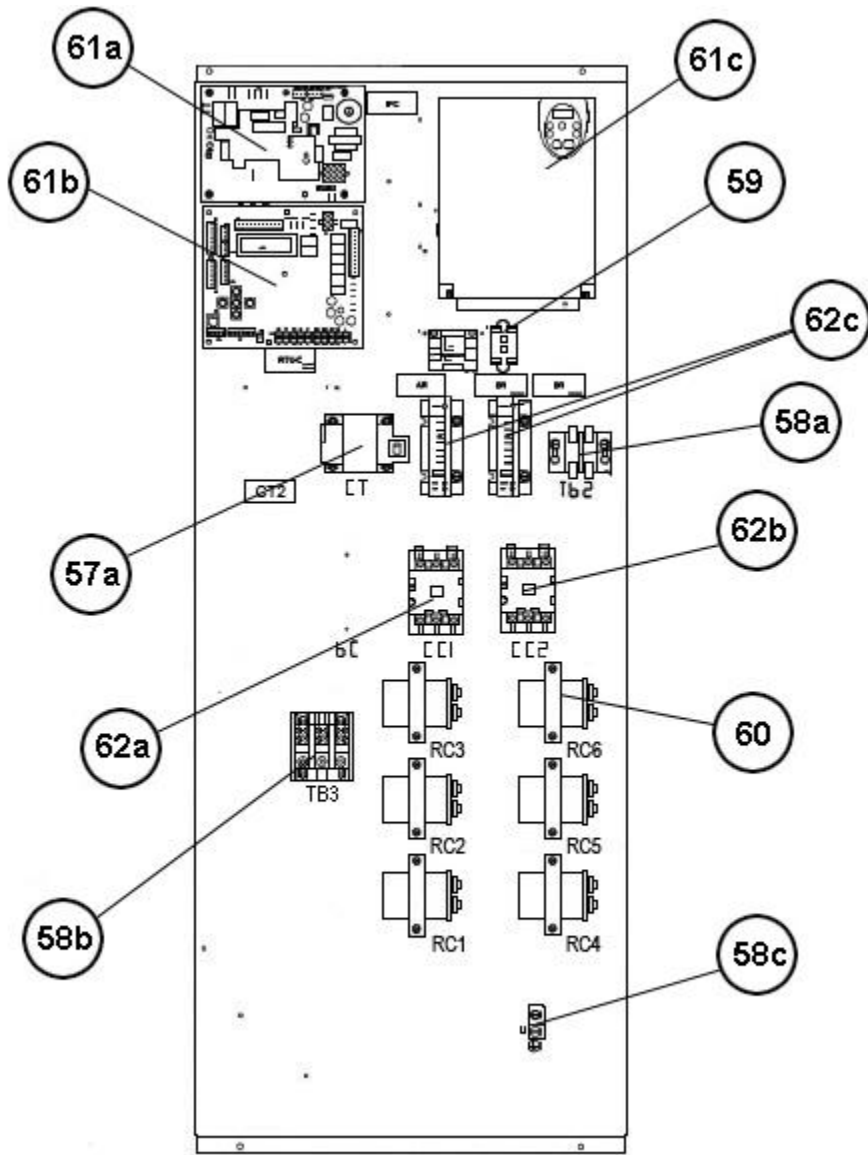
Base Pan Assembly 180-240



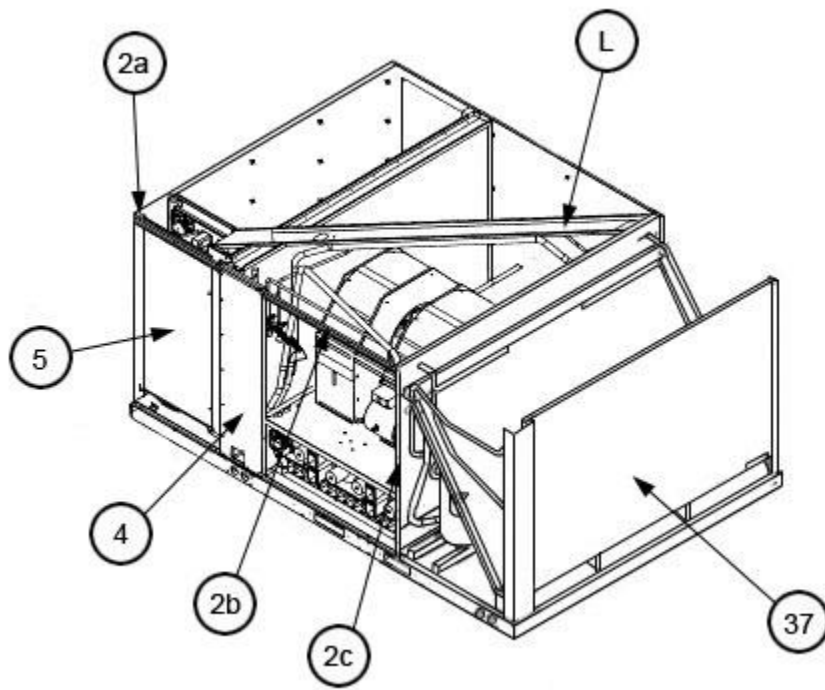
Base Rail Assembly 180-240



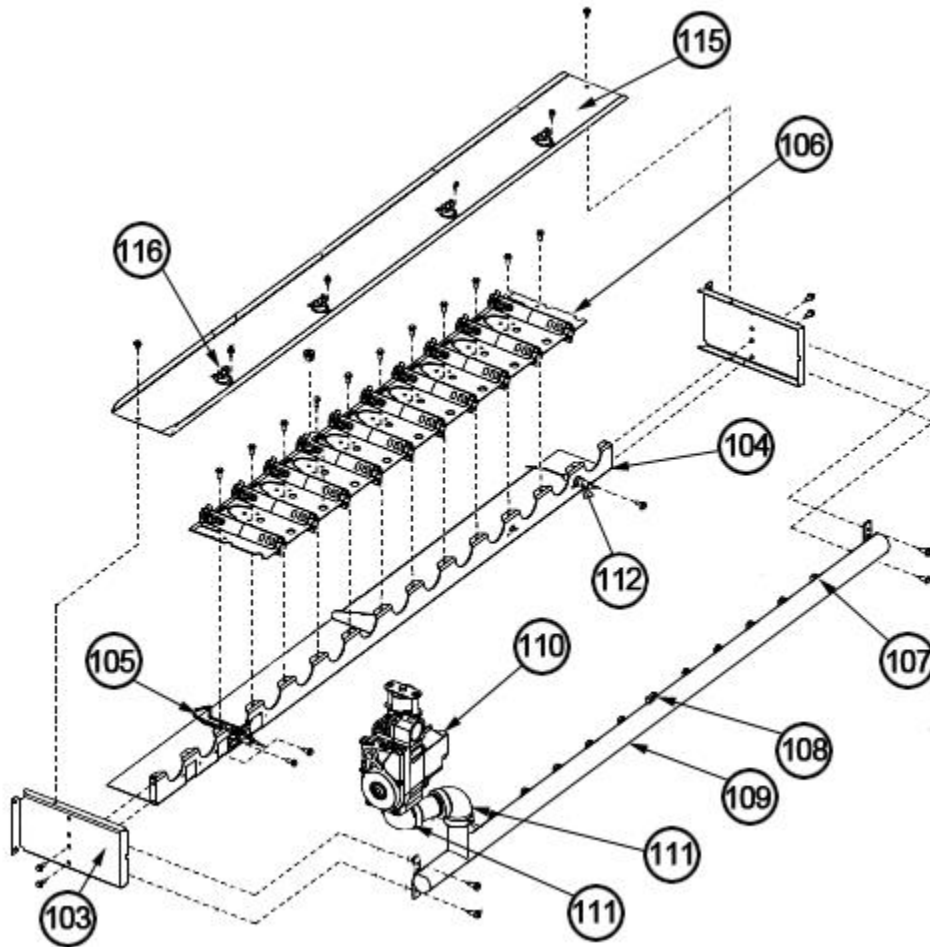
Condenser Coil - 180



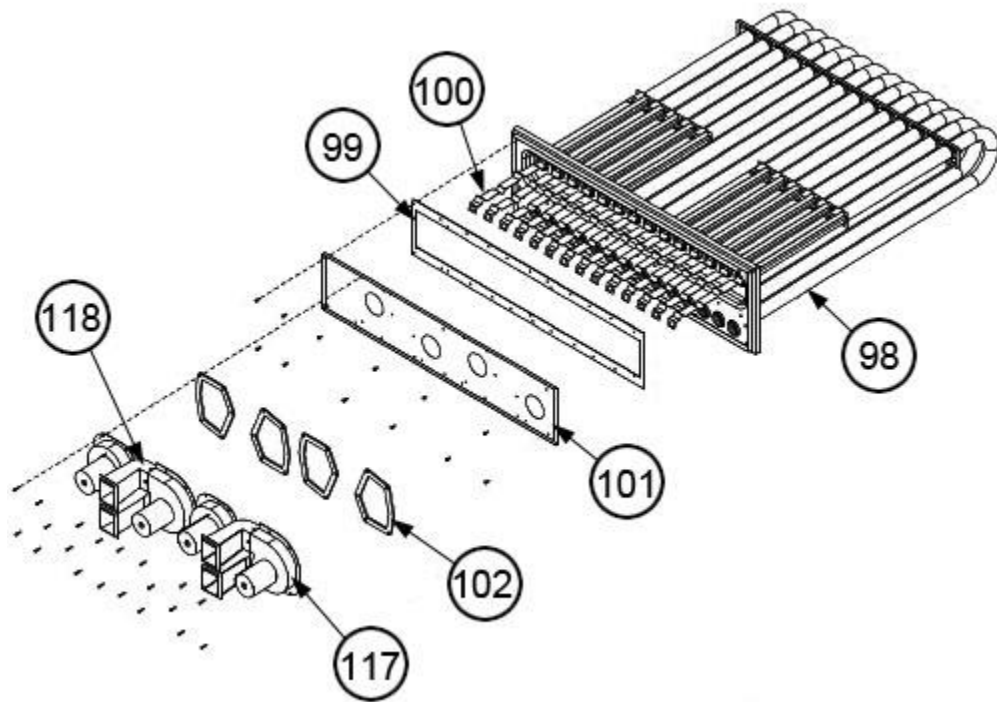
Control Box 180-240



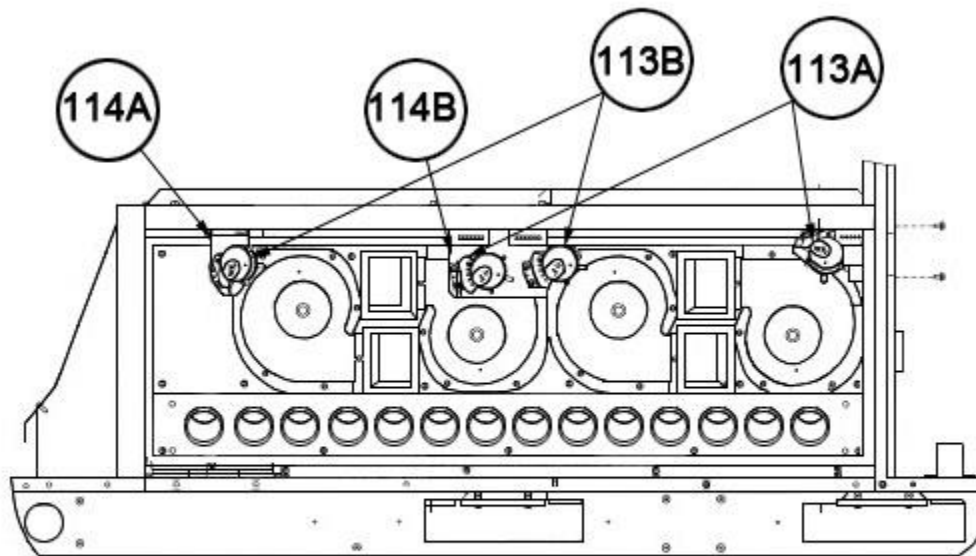
Interior - Front 180



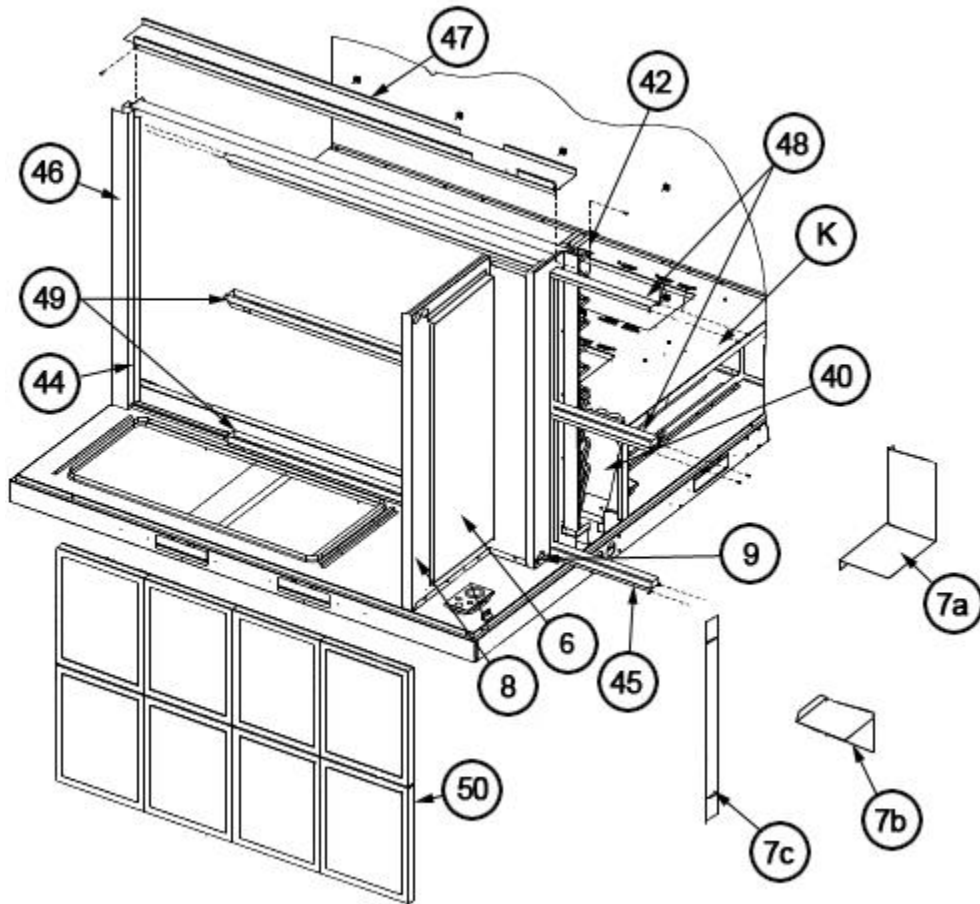
Burner Assembly 180-240



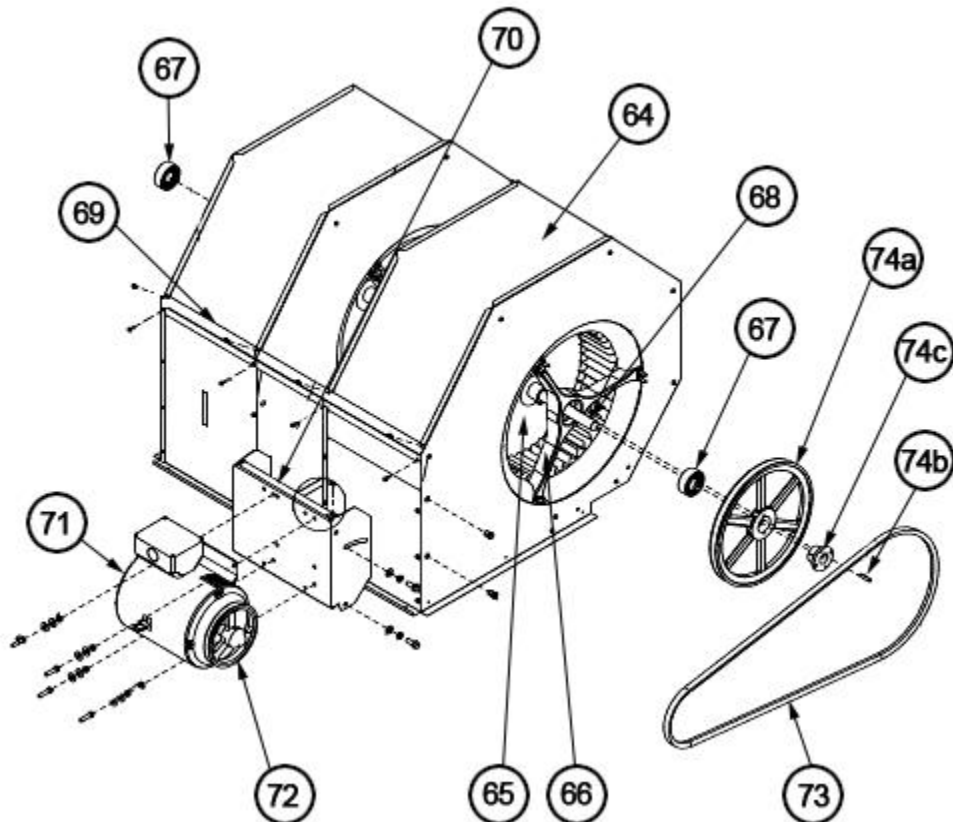
Heat Exchanger Assembly 180-240



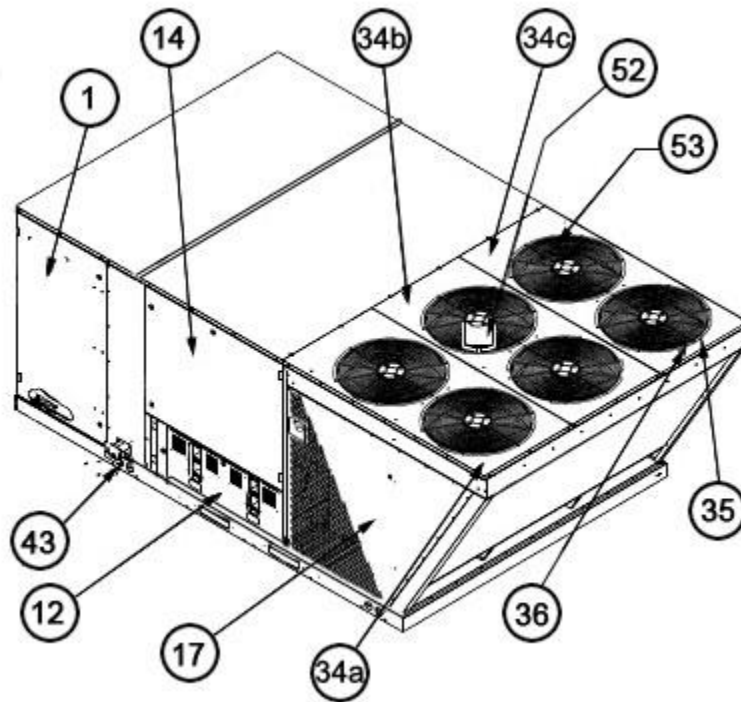
Pressure Switch - Mounting 180-240



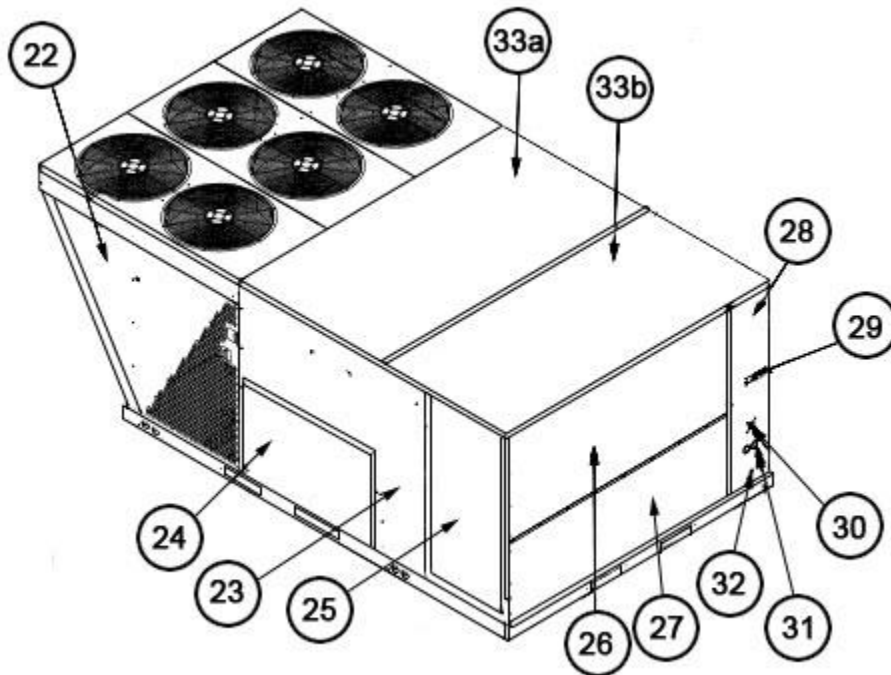
Filter Frame - Low Voltage Shields 180-240



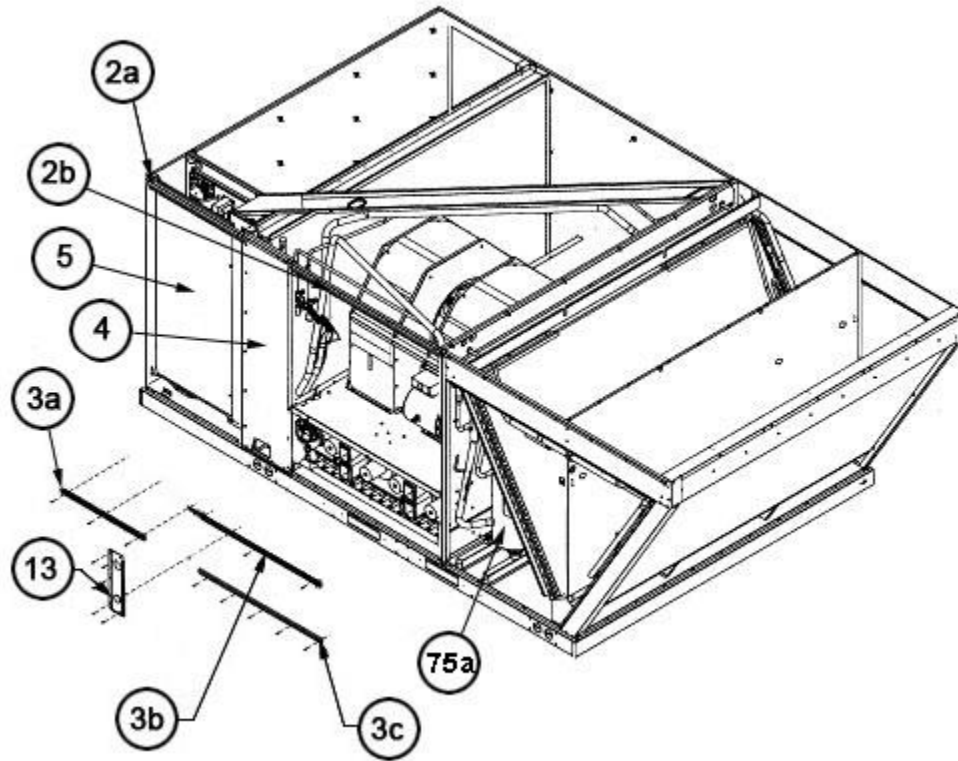
Blower Assembly 180-240



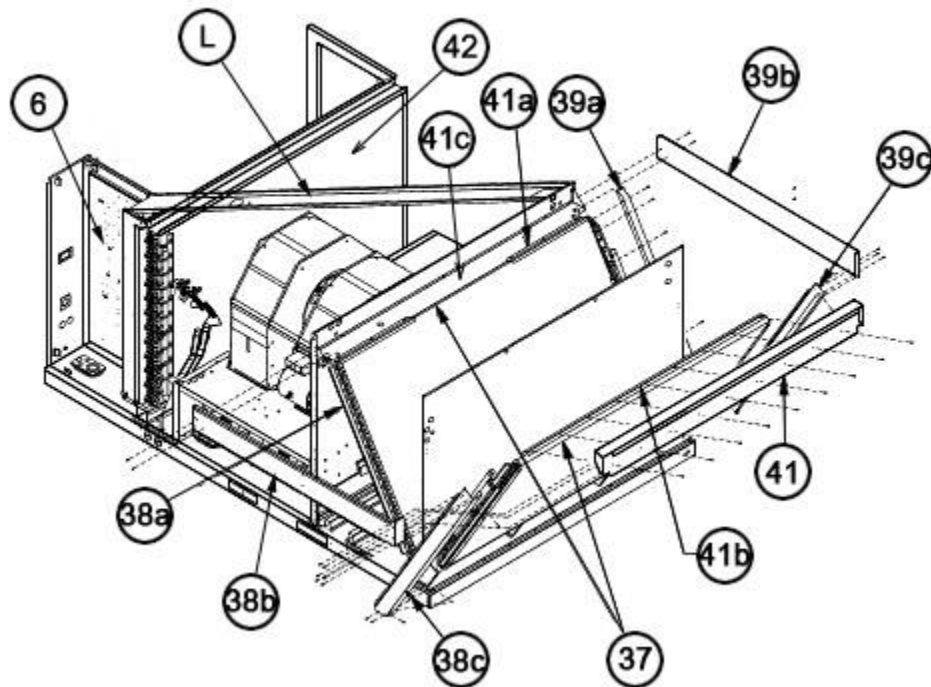
Exterior - Front 240



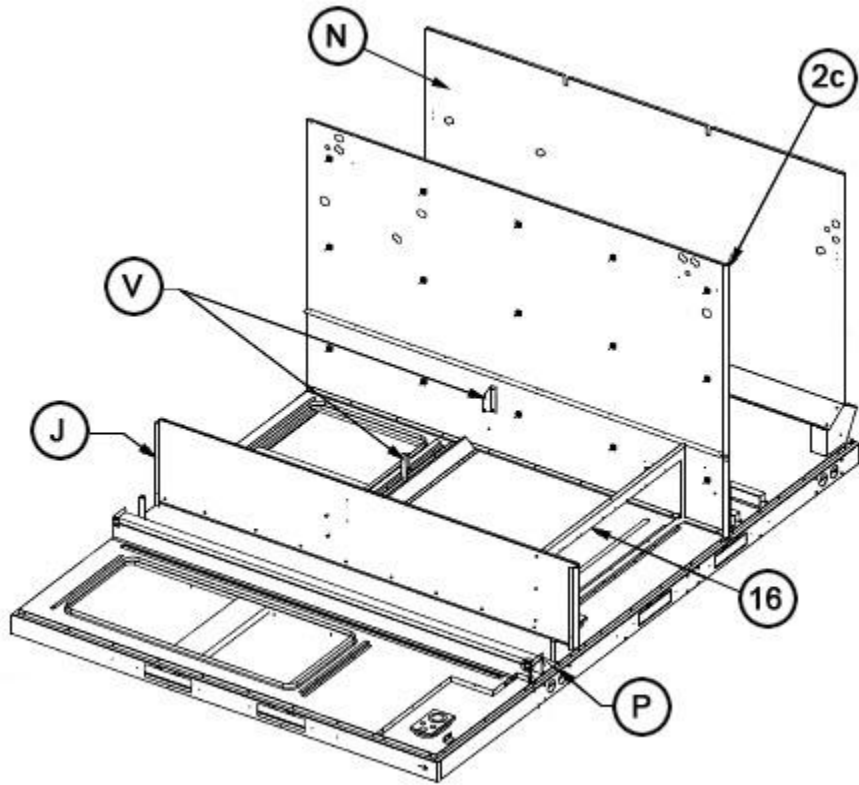
Exterior - Back 240



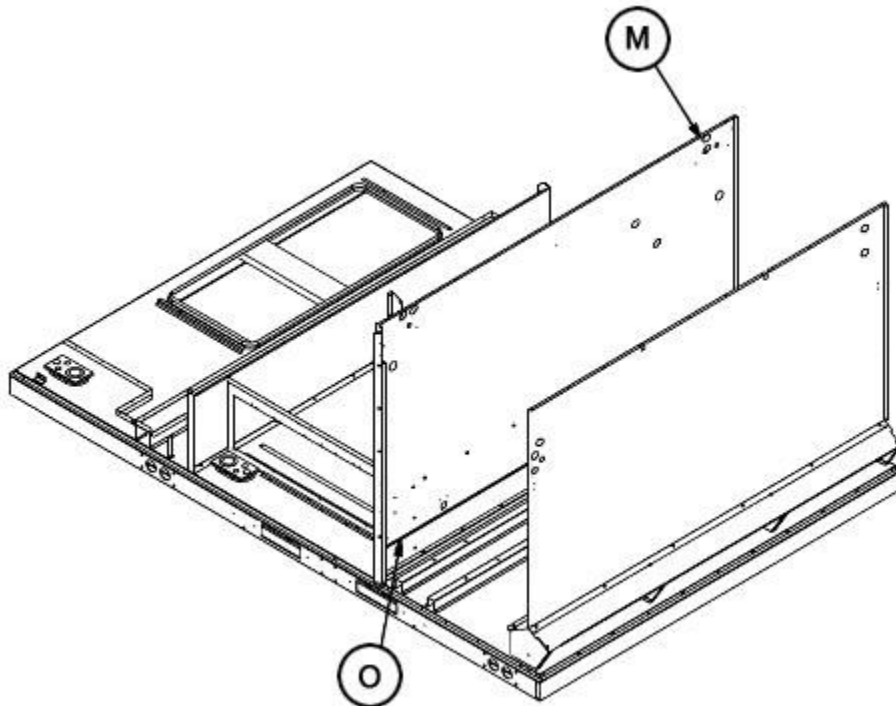
Front Panel Brackets 240



Interior - Coil 240



Heat Compartment 240



Condenser Bulkhead 240

NOTES

Stk It is recommended that stock be maintained for this part.

N/A Not Applicable

- 1 Order the specified LP Conversion Kit.
- 2 Order Gas Valve for Natural Gas along with LP Conversion Kit.
- 3 On approximate Date Code 0213, the wire screens were removed from the Gas Heat Door inlet hood openings. If replacing the door on a unit manufactured after this date, new Inlet Flue Hoods (AE-90745-04) should be ordered. The new inlet hoods incorporate louvers to prevent entry of debris into the combustion chamber.
- 4 Temperature Sensors are integral with the Wiring Harness and are not individually replacable.

DISCLAIMER: This document is intended to provide general replacement parts information to aid qualified service personnel in the repair of these models. The complete Model and Serial Number of the unit under repair should be specified when selecting and ordering replacement parts. Specifications and illustrations are subject to change without notice. Document 92-42800-RKRL-H supersedes all previous parts lists for these models. See <http://www.rheempartslists.net/92-42800-RKRL-H> for the latest revision of this document. The manufacturer assumes no obligation for errors or omissions. Service personnel must verify the proper and safe operation of equipment after the replacement of any original components.