



RKQN-C

Parts List
14-May-2020



*This parts list is current as of the above revision date.
See <http://www.rheempartslists.net/92-42800-RKQN-C.pdf> for the current revision.*

Package Gas-Electric - Commercial

Table of Contents

Model Explanation	Page 3
Parts Numbers	
Panels 036-060	Page 4
Panels 036-060 (Hinged Doors)	Page 5
Electrical Group 036-060	Page 6
Fan Group 036-060	Page 7
Blower Group - Belt Drive (036-048)	Page 8
Blower Group - Direct Drive (060)	Page 9
Coil Parts 036-060	Page 10
Compressor Group 036-060	Page 11
Heat Exchanger-Burner Group 036-060	Page 12
Gas Controls	Page 13
Accessories 036-60	Page 14
Orifice Selection Chart	Page 15
Drawings/Photographs	
Exploded View 036-060	Page 16
Top Panel View	Page 17
Top Panel View	Page 17
Top Panel View (Hinged Doors)	Page 19
End Panel View (Hinged Doors)	Page 20
Blower Assembly - Belt Drive 036-048	Page 21
Blower Assembly - Direct Drive 060	Page 22
Blower Motor Mount Assembly - Belt Drive 030-048	Page 23
Control Box 036-060	Page 24
Coil Group Cut-away View 036-060	Page 25
Evaporator Coil - Filter Parts 036-060	Page 25
Heat Exchanger Assembly 036-060	Page 26
One Piece Burner Assembly 036-060	Page 26
Compressor - Refrigeration Group 036-060	Page 27
Condenser Coil Pads 036-060	Page 28
Notes/Disclaimer	Page 29

MODEL NUMBER EXPLANATION

R	K	Q	N	-	C	0	6	0	C	L	1	3	E	A	A	C
1	2	3	4		5	6			7	8	9		10	11		12

- | | |
|--|---|
| <p>1 TRADE NAME</p> <p>2 K = PACKAGE GAS / ELECTRIC
Commercial</p> <p>3 EFFICIENCY DESIGNATION
Q = 15 SEER</p> <p>4 DESIGN SERIES
R-410A</p> <p>5 TECHNICAL VARIATION</p> <p>6 COOLING CAPACITY (BTU/HR) kW
036 = 36,000 10.55
048 = 48,000 14.07
060 = 60,000 17.58</p> <p>7 ELECTRICAL DESIGNATION
C = 208-230/3/60
D = 460/3/50
Y = 575/3/60</p> | <p>8 DRIVE PACKAGE
L = Belt Drive
M = Belt Drive - High Static
V = Variable Drive</p> <p>9 HEATING CAPACITY (MBH)
08 = 80,000
10 = 100,000
12 = 120,000
13 = 135,000</p> <p>10 IGNITION SYSTEM
E = Electric Ignition</p> <p>11 OPTION CODES</p> <p>12 ECONOMIZER OPTIONS</p> |
|--|---|

SERIAL NUMBER EXPLANATION

W	0	8	1	3	9	9	9	9	9
1	2		3		4				

- 1 PLANT CODE**
- 2 WEEK OF PRODUCTION**
- 3 YEAR OF PRODUCTION**
- 4 PRODUCTION NUMBER**

**Note: For Compressor Identification Number, see Compressor Code on Rating Plate
For Gas Code, see Control System Gas Code on Rating Plate**

No.	Notes	MODEL TECHNICAL VARIATION COOLING CAPACITY	RKQN- C 036	RKQN- C 048	RKQN- C 060
PANELS, MISCELLANEOUS PARTS					
1		Base Rail - Side (2)	AE-58900-01	AE-58900-01	AE-58900-01
2		Base Rail - Condenser End	AE-58901-01	AE-58901-01	AE-58901-01
3		Base Rail - Evaporator End	AE-58902-01	AE-58902-01	AE-58902-01
4		Outdoor Coil Base Pan	AS-59051-03H	AS-59051-03H	AS-59051-03H
5		Indoor Coil Base Pan	AS-58910-05	AS-58910-05	AS-58910-05
7		Condenser Bulkhead (08E, 10E, 12E Heat Capacity, Includes Limit Baffle and Tube Support Angles)	AS-103277-02	AS-103277-02	AS-103277-02
7		Condenser Bulkhead (13E Heat Capacity, Includes Limit Baffle and Tube Support Angles)	N/A	AS-103277-01	AS-103277-01
		Limit Baffle - Attached To Condenser Bulkhead (08E, 10E, 12E Heat Capacity)	AE-58913-02	AE-58913-02	AE-58913-02
		Limit Baffle - Attached To Condenser Bulkhead (13E Heat Capacity)	N/A	AE-58913-01	AE-58913-01
		Tube Support Angle - Attached To The Condenser. Bulkhead	AE-59139-01	AE-59139-01	AE-59139-01
8		Blower Bulkhead Assembly (Does not include Blower Extensions, Cover Plate, Insulation Retainer)	AS-103385-01	AS-103385-01	AS-103385-01
		Tube Support Angle (Small piece attached to the Blower Bulkhead)	AE-59139-02	AE-59139-02	AE-59139-02
9		Blower Extension - Front	AE-58928-01	AE-58928-01	AE-58928-01
10		Blower Extension - Back	AE-58928-02	AE-58928-02	AE-58928-02
		Insulation Retainer	AE-59059-01	AE-59059-01	AE-59059-01
11		Wire Chase Insulation Assembly	AS-103291-01	AS-103291-01	AS-103291-01
12a		Corner Post (2)	AS-58965-01H	AS-58965-01H	AS-58965-01H
12b		Center Coil Post	AS-58967-01H	AS-58967-01H	AS-58967-01H
13		Front Corner Post ("L" Coil Only)	AS-104519-01H	N/A	N/A
14		Louvered Panel		See Accessories	
15		Louvered Panel		See Accessories	
16		Louvered Panel		See Accessories	
17		Return/Supply Cover Assembly	AS-58992-01H	AS-58992-01H	AS-58992-01H
18		Rear Panel (Includes Insulation, Filler Panel, and Stripping)	AS-58976-01H	AS-58976-01H	AS-58976-01H
19		Filler Panel - Return Air	AE-58974-01	AE-58974-01	AE-58974-01
		Filler Panel Stripping	AE-58897-10	AE-58897-10	AE-58897-10
20		Blower/Filter Access Panels (2)	AS-58990-01H	AS-58990-01H	AS-58990-01H
21		Post - Left End	AS-58973-01H	AS-58973-01H	AS-58973-01H
22		Front Panel Assembly	AS-59132-01H	AS-59132-01H	AS-59132-01H
23		Grommet	56-22114-06	56-22114-06	56-22114-06
24		Heating Compartment Access Panel - Before F4914	AS-58988-02H	AS-58988-02H	AS-58988-02H
24a		Heating Compartment Access Panel - Upper (On or After F4914)	AS-58988-03H	AS-58988-03H	AS-58988-03H
24b		Heating Compartment Access Panel - Lower (On or After F4914)	AS-58987-06H	AS-58987-06H	AS-58987-06H
25		Flue Hood Assembly - Before F4914	AS-58945-01	AS-58945-01	AS-58945-01
25		Flue Hood Assembly - On or After F4914	AS-58945-04	AS-58945-04	AS-58945-04
26		Control Box Access Door	AS-103284-01H	AS-103284-01H	AS-103284-01H
27a		Control Box Insert Panel	AS-103283-01H	AS-103283-01H	AS-103283-01H
27b		Disconnect Plate	AS-90756-05H	AS-90756-05H	AS-90756-05H
27c		Receptacle Plate	AS-90756-02H	AS-90756-02H	AS-90756-02H
28		Front Post	AS-103288-01H	AS-103288-01H	AS-103288-01H
29		Indoor Coil Top Panel Assembly	AS-58979-01H	AS-58979-01H	AS-58979-01H
30a		Condenser Top Panel	AS-58981-01H	AS-58981-01H	AS-58981-01H
30b		Support - Condenser Top Panel	AE-58980-01	AE-58980-01	AE-58980-01
32		Wire Grille	95-101660-01	95-101660-01	95-101660-01
34		Control Box (w/o components)	AS-103281-01	AS-103281-01	AS-103281-01
34a		Control Box - Top	AE-103282-01	AE-103282-01	AE-103282-01

No.	Notes	MODEL TECHNICAL VARIATION COOLING CAPACITY	RKQN- C 036	RKQN- C 048	RKQN- C 060
PANELS, MISCELLANEOUS PARTS (Hinged Doors)					
1		Base Rail - Side (2)	AE-58900-01	AE-58900-01	AE-58900-01
2		Base Rail - Condenser End	AE-58901-01	AE-58901-01	AE-58901-01
3		Base Rail - Evaporator End	AE-58902-01	AE-58902-01	AE-58902-01
4		Outdoor Coil Base Pan	AS-59051-03HT	AS-59051-03HT	AS-59051-03HT
5		Indoor Coil Base Pan	AS-58910-05	AS-58910-05	AS-58910-05
7		Condenser Bulkhead (08E, 10E, 12E Heat Capacity, Includes Limit Baffle and Tube Support Angles)	AS-103277-04HT	AS-103277-04HT	AS-103277-04HT
7		Condenser Bulkhead (13E Heat Capacity, Includes Limit Baffle and Tube Support Angles)	N/A	N/A	N/A
		Limit Baffle - Attached To Condenser Bulkhead (08E, 10E, 12E Heat Capacity)	AE-58913-02	AE-58913-02	AE-58913-02
		Limit Baffle - Attached To Condenser Bulkhead (13E Heat Capacity)	N/A	N/A	N/A
		Tube Support Angle - Attached To The Condenser Bulkhead	AE-59139-01	AE-59139-01	AE-59139-01
8		Blower Bulkhead Assembly (Does not include Blower Extensions, Cover Plate, Insulation Retainer)	AS-103385-01	AS-103385-01	AS-103385-01
		Tube Support Angle (Small piece attached to the Blower Bulkhead)	AE-59139-02	AE-59139-02	AE-59139-02
9		Blower Extension - Front	AE-58928-01	AE-58928-01	AE-58928-01
10		Blower Extension - Back	AE-58928-02	AE-58928-02	AE-58928-02
		Insulation Retainer	AE-59059-01	AE-59059-01	AE-59059-01
11		Wire Chase Insulation Assembly	AS-103291-01	AS-103291-01	AS-103291-01
12a		Corner Post (2)	AE-58965-01HT	AE-58965-01HT	AE-58965-01HT
12b		Center Coil Post	AE-58967-01HT	AE-58967-01HT	AE-58967-01HT
13		Front Corner Post ("L" Coil Only)	AE-104519-01HT	N/A	N/A
14		Louvered Panel		See Accessories	
15		Louvered Panel		See Accessories	
16		Louvered Panel		See Accessories	
17		Return/Supply Cover Assembly	AS-58992-01HT	AS-58992-01HT	AS-58992-01HT
18		Rear Panel (Includes Insulation, Filler Panel, Screws and Stripping)	AS-58976-03HT	AS-58976-03HT	AS-58976-03HT
19		Filler Panel - Return Air	AE-58974-01HT	AE-58974-01HT	AE-58974-01HT
		Filler Panel Stripping	AE-58897-10	AE-58897-10	AE-58897-10
20a		Blower/Filter Door - Left	AS-102872-33HT	AS-102872-33HT	AS-102872-33HT
20b		Blower/Filter Door - Right	AS-102872-34HT	AS-102872-34HT	AS-102872-34HT
20c		Bracket - Bottom Panel (2)	AE-102859-26HT	AE-102859-26HT	AE-102859-26HT
21		Post - Left End	AS-58973-02HT	AS-58973-02HT	AS-58973-02HT
22		Front Panel Assembly	AS-59132-06HT	AS-59132-06HT	AS-59132-06HT
23		Grommet	56-22114-06	56-22114-06	56-22114-06
24a		Heating Compartment Access Panel - Upper	AS-58988-03HT	AS-58988-03HT	AS-58988-03HT
24b		Heating Compartment Access Panel - Lower	AE-58987-06HT	AE-58987-06HT	AE-58987-06HT
25		Flue Hood Assembly	AS-58945-04	AS-58945-04	AS-58945-04
26		Control Box Door	AS-102872-32HT	AS-102872-32HT	AS-102872-32HT
26a		Bracket - Top Panel	AE-102859-25HT	AE-102859-25HT	AE-102859-25HT
26b		Bracket - Middle Panel	AE-102859-28HT	AE-102859-28HT	AE-102859-28HT
27a		Control Box Insert Panel	AE-103283-01HT	AE-103283-01HT	AE-103283-01HT
27b		Disconnect Plate	AE-90756-05HT	AE-90756-05HT	AE-90756-05HT
27c		Receptacle Plate	AE-90756-02HT	AE-90756-02HT	AE-90756-02HT
28		Front Post	AE-58967-01HT	AE-58967-01HT	AE-58967-01HT
29		Indoor Coil Top Panel Assembly	AS-58979-04HT	AS-58979-04HT	AS-58979-04HT
29a		Bracket - Top Panel	AE-102859-30HT	AE-102859-30HT	AE-102859-30HT
30a		Condenser Top Panel	AE-58981-01HT	AE-58981-01HT	AE-58981-01HT
30b		Support - Condenser Top Panel	AE-58980-01	AE-58980-01	AE-58980-01
32		Wire Grille	95-101660-01	95-101660-01	95-101660-01
34		Control Box (w/o components)	AS-103281-01	AS-103281-01	AS-103281-01
34a		Control Box - Top	AE-103282-01	AE-103282-01	AE-103282-01

No.	Notes	MODEL TECHNICAL VARIATION COOLING CAPACITY ELECTRIC DESIGNATION DRIVE PACKAGE	RKQN- C 036-048 C L/M	RKQN- C 036-048 D L/M	RKQN- C 060 C V	RKQN- C 060 D V
ELECTRIC GROUP						
		Outlet Box	45-41952-02	45-41952-02	45-41952-02	45-41952-02
		Receptacle Cover	45-41953-02	45-41953-02	45-41953-02	45-41953-02
		Receptacle - Ground Fault	45-41954-01	45-41954-01	45-41954-01	45-41954-01
		Disconnect Switch	42-100650-01	42-100650-01	42-100650-01	42-100650-01
MISCELLANEOUS COMPONENTS:						
44		Auxiliary Limit - Blower Extension	47-17359-30	47-17359-30	47-17359-30	47-17359-30
	Stk	Pressure Switch - Before F4914	42-24335-20	42-24335-20	42-24335-20	42-24335-20
	Stk	Pressure Switch - On of After F4914	42-104851-01	42-104851-01	42-104851-01	42-104851-01
48	Stk	Inducer Blower Motor - Including Gasket (Before F4914)	70-23641-01	70-23641-02	70-23641-01	70-23641-02
48	Stk	Inducer Blower Motor - Including Gasket (On or After F4914)	70-101087-02	70-101087-03	70-101087-02	70-101087-03
49	Stk	Inducer Blower Motor Gasket (Before F4914)	68-23643-01	68-23643-01	68-23643-01	68-23643-01
49	Stk	Inducer Blower Motor Gasket (On or After F4914)	68-22850-01	68-22850-01	68-22850-01	68-22850-01
		Pressure Switch Assembly - (Clogged Filter and Fan Proving)	42-103320-27	42-103320-27	42-103320-27	42-103320-27
50	Stk	Low Pressure Control	47-102240-03	47-102240-03	47-102240-03	47-102240-03
51	Stk	High Pressure Control	47-23699-04	47-23699-04	47-23699-04	47-23699-04
	Stk	ECM Interface Control Board	N/A	N/A	62-24340-03	62-24340-03
CONTROL BOX COMPONENTS:						
37a	Stk	Integrated Furnace Control	See Gas Controls			
37b	Stk	Unit Controller (RTU-C)	47-102883-02	47-102883-02	47-102883-02	47-102883-02
38	Stk	Belt Drive Blower Contactor	42-102664-08	42-102664-08	N/A	N/A
		Ground Lug	45-19000-01	45-19000-01	45-19000-01	45-19000-01
40	Stk	Compressor Contactor	See Compressor Group			
41		Capacitor - Fan Motor	See Fan Group			
42	Stk	Low Voltage Shield	AE-103285-01	AE-103285-01	AE-103285-01	AE-103285-01
43	Stk	Transformer	46-103324-01	46-103324-02	46-103324-01	46-103324-02
52		Comfort Alert	42-101504-03	42-101504-03	42-101504-03	42-101504-03
WIRING HARNESES:						
		Temperature Sensors	See Note 2			
		Transformer Whip	N/A	N/A	N/A	45-104790-01
		Wiring Harness (Blower Motor) - 16 pin to 16 pin insulated terminals	N/A	N/A	45-24258-10	45-24258-10
		Wiring Harness (Blower Motor) - 5 pin to three terminals	N/A	N/A	45-24258-30	45-24258-30
		Jumper - 7 Pin Connector (Unit Configuration)	45-42522-110	45-42522-110	45-42522-97	45-42522-97
	2	Wiring Harness - Economizer (8 Pin and 9 Pin) to (12 Pin, 4 Pin, 4 Connectors, and 2 Sensors) - See Note 2	45-42522-107	45-42522-107	45-42522-107	45-42522-107
	2	Wiring Harness - 14 Pin to (two 2 Pin Connectors and 2 Sensors) - See Note 2	45-42522-111	45-42522-111	N/A	N/A
	2	Wiring Harness - 14 Pin to (two 2 Pin Connectors and 2 Sensors) - See Note 2	N/A	N/A	45-42522-124	45-42522-124
		Jumper - 12 pin Connector for RTU-C (1 wire w/Resistor)	N/A	N/A	45-42522-125	45-42522-125
		Bypass Plug - Economizer 12 Pin	AS-61997-55	AS-61997-55	AS-61997-55	AS-61997-55
		Wiring Harness - IFC Communication (4 Pin to 4 Pin)	45-42522-95	45-42522-95	45-42522-95	45-42522-95
		Wiring Harness - 12 Pin from IFC to 9 Connectors	AS-102393-04	AS-102393-04	AS-102393-04	AS-102393-04

No.	Notes	MODEL TECHNICAL VARIATION COOLING CAPACITY ELECTRICAL DESIGNATION	RKQN- C 036 C	RKQN- C 036 D	RKQN- C 048 C	RKQN- C 048 D
FAN GROUP						
35	Stk	Fan Motor	51-100998-05	51-100998-07	51-100998-05	51-100998-07
36	Stk	Fan Blade	70-23594-01	70-23594-01	70-23594-01	70-23594-01
41	Stk	Capacitor - Fan Motor	43-100496-04	43-100496-04	43-100496-04	43-100496-04

No.	Notes	MODEL TECHNICAL VARIATION COOLING CAPACITY ELECTRICAL DESIGNATION	RKQN- C 060 C	RKQN- C 060 D		
FAN GROUP						
35	Stk	Fan Motor	51-100998-13	51-100998-12		
36	Stk	Fan Blade	70-42484-01	70-42484-01		
41	Stk	Capacitor - Fan Motor	43-100496-12	43-100496-12		

No.	Notes	MODEL TECHNICAL VARIATION COOLING CAPACITY ELECTRICAL DESIGNATION DRIVE PACKAGE	RKQN- C 036-048 C L	RKQN- C 036-048 D L	RKQN- C 036-048 C M	RKQN- C 036-048 D M
BLOWER GROUP - BELT DRIVE						
62	Stk	Blower Assembly - Size 036 (Includes items 63-66 & 68-73, Excluding items 67 & 72b)	AS-101336-01	AS-101336-01	AS-101336-05	AS-101336-05
62	Stk	Blower Assembly - Size 048 (Includes items 63-66 & 68-73, Excluding items 67 & 72b)	AS-101336-05	AS-101336-05	AS-101336-04	AS-101336-04
63		Housing	AS-101341-01	AS-101341-01	AS-101341-01	AS-101341-01
64		Bearing Frame Tri-Arm (2)	70-41723-03	70-41723-03	70-41723-03	70-41723-03
65	Stk	Ball Bearing And Cushion (2)	70-41911-01	70-41911-01	70-41911-01	70-41911-01
66	Stk	Blower Shaft	70-21933-02	70-21933-02	70-21933-02	70-21933-02
67	Stk	Fixed Pitch Sheave - Size 036	71-100772-04	71-100772-04	71-21932-03	71-21932-03
67	Stk	Fixed Pitch Sheave - Size 048	71-21932-03	71-21932-03	71-100772-02	71-100772-02
68		Blower Support - Left	AE-58950-02	AE-58950-02	AE-58950-02	AE-58950-02
69	Stk	Blower Wheel	70-23589-01	70-23589-01	70-23589-01	70-23589-01
70		Cut-Off Tabulation	AE-64401-05	AE-64401-05	AE-64401-05	AE-64401-05

No.	Notes	MODEL TECHNICAL VARIATION COOLING CAPACITY ELECTRICAL DESIGNATION DRIVE PACKAGE	RKQN- C 036-048 C L	RKQN- C 036-048 D L	RKQN- C 036-048 C M	RKQN- C 036-048 D M
BLOWER MOTOR MOUNTING - BELT DRIVE						
		MOTOR MOUNTING:				
71		Blower Bracket - Sizes 036-048	AE-101124-01	AE-101124-01	AE-101124-01	AE-101124-01
72		Blower Bracket - Drive Side - Sizes 036-048	AE-101124-04	AE-101124-04	AE-101124-04	AE-101124-04
72a		Grommet	56-18518-04	56-18518-04	56-18518-04	56-18518-04
72b		Cross Brace	AE-101467-01	AE-101467-01	AE-101467-01	AE-101467-01
73		Motor Mount Assembly - Sizes 036-048	AS-101340-01	AS-101340-01	AS-101340-01	AS-101340-01

No.	Notes	MODEL TECHNICAL VARIATION COOLING CAPACITY ELECTRICAL DESIGNATION DRIVE PACKAGE	RKQN- C 036-048 C L	RKQN- C 036-048 D L	RKQN- C 036-048 C M	RKQN- C 036-048 D M
BLOWER MOTOR GROUP - BELT DRIVE						
74		Blower Motor - Size 036	51-42579-01	51-42579-01	51-42579-01	51-42579-01
74		Blower Motor - Size 048	51-42579-01	51-42579-01	51-21909-01	51-21909-01
75		Variable Pitch Sheave - Size 036	71-40427-30	71-40427-30	71-40427-25	71-40427-25
75		Variable Pitch Sheave - Size 048	71-40427-29	71-40427-29	71-40427-25	71-40427-25
76		Belt - Size 036	71-40235-43	71-40235-43	71-40235-43	71-40235-43
76		Belt - Size 048	71-40235-42	71-40235-42	71-40235-42	71-40235-42

No.	Notes	MODEL TECHNICAL VARIATION COOLING CAPACITY ELECTRIC DESIGNATION DRIVE PACKAGE	RKQN- C 060 C V	RKQN- C 060 D V
BLOWER GROUP - DIRECT DRIVE				
53	Stk	Blower Assembly (Items 54-61)	AS-59050-36	AS-59050-36
54		Housing	AS-101342-01	AS-101342-01
55	Stk	Blower Wheel	70-23592-02	70-23592-02
56		Cut-Off Tabulation	AE-64401-18	AE-64401-18
57	Stk	Blower Motor	51-104306-32	51-104306-32
58		Capacitor - Blower Motor	N/A	N/A
59		Motor Band	70-19927-03	70-19927-03
60		Motor Mounting Arm (3)	70-19929-09	70-19929-09
61		Blower Support - Back Side	AE-58950-02	AE-58950-02
		Blower Support Bracket - Drive Side	AE-59174-01	AE-59174-01

No.	Notes	MODEL TECHNICAL VARIATION COOLING CAPACITY	RKQN- C 036	RKQN- C 048	RKQN- C 060
COIL GROUP					
6		Filter Keeper	AE-59168-01	AE-59168-01	AE-59168-01
EVAPORATOR COIL:					
77	Stk	Evaporator Coil (Coil and Frame Assembly)	AS-104531-02	AS-104531-01	AS-104531-01
	Stk	TXV - Sporlan	61-102211-34	61-102211-33	61-102211-32
80		Top Air Stop	AE-58933-01	AE-58933-01	AE-58933-01
81		Top Coil Support	AE-58941-01	AE-58941-01	AE-58941-01
82		Filter Channels (3) Center Is Two Channels Back To Back	AE-58934-01	AE-58934-01	AE-58934-01
83		Indoor Coil Drain Pan	68-23559-01	68-23559-01	68-23559-01
85		Filter - Disposable (2)	54-17531-10	54-17531-10	54-17531-10
CONDENSER COIL:					
84a	Stk	Condenser Coil	AS-104518-02	AS-104518-01	AS-104518-01
84b		Pad - Bottom Coil	68-104248-03 (4)	68-104248-03 (5)	68-104248-03 (5)
84c		Pad - Top Coil	68-20243-01	68-20243-01	68-20243-01
84d		Coil Filler Plate (2)	AS-104545-03H	AS-104545-03H	AS-104545-03H
84e		Stripping	68-42246-06	68-42246-06	68-42246-06
	Stk	Filter Drier	83-22755-03	83-22755-03	83-22755-03

No.	Notes	MODEL TECHNICAL VARIATION COOLING CAPACITY ELECTRICAL DESIGNATION	RKQN- C 036 C	RKQN- C 036 D
COMPRESSOR GROUP				
		Compressor ID:	8738	8739
40	Stk	Compressor Contactor	42-102664-08	42-102664-08
41		Capacitor - Fan	See Fan Group	
50		Low Pressure Control	See Electrical Group	
51		High Pressure Control	See Electrical Group	
86	Stk	Compressor	55-102045-90S	55-102045-91S
	Stk	Compressor Wiring Harness - Molded Plug	45-100834-10	45-100834-10

No.	Notes	MODEL TECHNICAL VARIATION COOLING CAPACITY ELECTRICAL DESIGNATION	RKQN- C 048 C	RKQN- C 048 D
COMPRESSOR GROUP				
		Compressor ID:	8740	8741
40	Stk	Compressor Contactor	42-102664-08	42-102664-08
41		Capacitor - Fan	See Fan Group	
50		Low Pressure Control	See Electrical Group	
51		High Pressure Control	See Electrical Group	
86	Stk	Compressor	55-102045-08S	55-102045-07S
	Stk	Compressor Wiring Harness - Molded Plug	45-100834-10	45-100834-10

No.	Notes	MODEL TECHNICAL VARIATION COOLING CAPACITY ELECTRICAL DESIGNATION	RKQN- C 060 C	RKQN- C 060 D
COMPRESSOR GROUP				
		Compressor ID:	8742	8743
40	Stk	Compressor Contactor	42-102664-08	42-102664-08
41		Capacitor - Fan	See Fan Group	
50	Stk	Low Pressure Control	47-102240-03	47-102240-03
51	Stk	High Pressure Control	47-23699-04	47-23699-04
86	Stk	Compressor	55-23156-43S	55-23156-44S
		Compressor Wiring Harness (Low Voltage - Molded Plug)	45-101723-04	45-101723-04
	Stk	Compressor Wiring Harness (Line Voltage - Molded Plug)	45-100834-10	45-100834-10

No.	Notes	MODEL TECHNICAL VARIATION HEATING CAPACITY	RKQN- C 08	RKQN- C 10	RKQN- C 12	RKQN- C 13
HEAT EXCHANGER, BURNER/MANIFOLD						
45	Stk	Main Limit - (Condenser Bulkhead) E - Electric (Before F4914)	47-23610-19	47-23610-21	47-23610-27	47-23610-19
45	Stk	Main Limit - (Condenser Bulkhead) E - Electric (On or After F4914)	47-23610-19	47-23610-19	47-23610-19	47-23610-11
45	Stk	Main Limit - (Condenser Bulkhead) E - Electric	47-23610-19	47-23610-21	47-23610-27	47-23610-19
46		Main Limit Shield	AS-59152-01	AS-59152-01	AS-59152-01	AS-59152-01
87	Stk	Heat Exchanger - Includes Center Panel	AS-59066-01	AS-59066-05	AS-59066-04	AS-59066-04
88		Turbulators	AE-58922-01 (4)	AE-58922-01 (5)	AE-58922-01 (6)	AE-58922-01 (6)
89		NOX Inserts	N/A	N/A	N/A	N/A
90		Divider Plate Gasket	68-23680-02	68-23680-02	68-23680-02	68-23680-02
91		Divider Plate	AE-59067-01	AE-59067-01	AE-59067-01	AE-59067-01
92		Collector Box Gasket	68-23680-01	68-23680-01	68-23680-01	68-23680-01
93		Collector Box Cover - Before F4914	AE-59068-01	AE-59068-02	AE-59068-06	AE-59068-03
93		Collector Box Cover - On or After F4914	AE-104879-01	AE-104879-02	AE-104879-03	AE-104879-04
94		Flue Duct - Before F4914	75-23678-01	75-23678-01	75-23678-01	75-23678-01
94		Flue Duct - On or After F4914	75-104824-01	75-104824-01	75-104824-01	75-104824-01
95		Flue Duct Gasket - Rectangular (Before F4914)	68-23680-03	68-23680-03	68-23680-03	68-23680-03
95		Flue Duct Gasket - Round (On or After F4914)	68-23680-05	68-23680-05	68-23680-05	68-23680-05
96		Burner Shield - Before F4914	AE-58886-01	AE-58886-01	AE-58886-01	AE-58886-01
96		Burner Shield - On or After F4914	AE-58886-02	AE-58886-02	AE-58886-02	AE-58886-02
97	Stk	Limit (Manual Reset)	47-22861-02 (1)	47-22861-02 (2)	47-22861-02 (2)	47-22861-02 (2)
98		Burner Compartment Floor	AE-58932-02	AE-58932-02	AE-58932-02	AE-58932-02

No.	Notes	MODEL TECHNICAL VARIATION HEATING CAPACITY	RKQN- C 08	RKQN- C 10	RKQN- C 12	RKQN- C 13
BURNER / MANIFOLD GROUP						
99	Stk	Burner Assembly	AS-60993-04	AS-60993-05	AS-60993-06	AS-60993-06
99a		Bushing	45-42519-01	45-42519-01	45-42519-01	45-42519-01
100		Burner Support - (Holds the Burners between the Burner Support Brackets)	AE-102650-01	AE-102650-01	AE-102650-01	AE-102650-01
101		Burner Support Bracket (2)	AE-61588-02	AE-61588-02	AE-61588-02	AE-61588-02
102	Stk	Manifold Assembly (w/o Orifices)	81-101153-01	81-101153-01	81-101153-01	81-101153-01
103		Square Head Plug - (Used on Manifold to plug extra holes)	81-23593-01 (3)	81-23593-01 (2)	81-23593-01 (1)	81-23593-01 (1)
104		Burner Orifice - Natural Gas:	See Orifice Selection Chart			
104		Burner Orifice - LP:	See Orifice Selection Chart			
104		Number of Orifices	(4)	(5)	(6)	(6)
105	Stk	Flame Sensor	62-23543-02	62-23543-02	62-23543-02	62-23543-02
106	Stk	Ignition Electrode and Cable	62-23556-01	62-23556-01	62-23556-01	62-23556-01

No.	Notes	MODEL GAS CODE	RKQN- 2S	RKQN- 2R
GAS CONTROLS				
	Stk	Gas Valve - Natural Gas	60-105055-01	60-23490-01
	Stk	Gas Valve - LP	See Note 1	See Note 1
37a	Stk	Integrated Furnace Control Board (IFC)	62-102860-02	62-102860-02
		Street Elbow	81-17487-01	81-40271-04
		Nipple	81-40683-02	N/A
	Stk	LP Conversion Kit	EP-85H	EP-84W

No.	Notes	MODEL GAS CODE	RKQN- 2V	RKQN- 2Y
GAS CONTROLS				
	Stk	Gas Valve - Natural Gas	60-105055-01	60-106207-01
	Stk	Gas Valve - LP	See Note 1	See Note 1
37a	Stk	Integrated Furnace Control Board (IFC)	62-102860-02	62-102860-02
		Street Elbow	81-17487-01	81-17487-01
		Nipple	81-40683-03	81-40683-02
	Stk	LP Conversion Kit	EP-85H	EP-84W

No.	Notes	MODEL TECHNICAL VARIATION COOLING CAPACITY	RKQN- C 036-060
OPTIONS AND ACCESSORIES			
		DDC Economizer with Single Enthalpy and Barometric Relief	AXRD-TKCM3
		DDC Economizer with Single Enthalpy, Smoke Detector and Barometric Relief	AXRD-UKCM3
		Convenience Outlet	RXR-AN02
		Service Disconnect	RXR-AP02
		Dual Enthalpy Kit	RXR-AV03
		CO2 Sensor	RXR-AR02
		Power Exhaust - C Voltage	AXR-BGF04C
		Power Exhaust - D Voltage	AXR-BGF04D
		Power Exhaust - Y Voltage	AXR-BGF04Y
		Fresh Air Damper Manual	AXR-FBA1
		Fresh Air Damper Motorized	AXR-FBB1
		Louver Kit - (2 Sides) 3 Ton	AXR-AAD02B
		Louver Kit - (3 Sides) 4 & 5 Ton	AXR-AAD01B
		Comfort Alert	RXR-AZ01
		BACnet Communication Card	RXR-AY01
		Lonworks Communication Card	RXR-AY02
		Low Ambient Control	RXRZ-A04

PACKAGE EQUIPMENT - ORIFICE SELECTION CHART - NATURAL GAS

CAUTION: Selection of the correct Natural Gas Orifice requires the following information for the specific installation:

- 1) Furnace Input Rating (BTU/HR)
- 2) Number of Burners
- 2) Altitude (ft.)

For detailed information and instructions for Orifice selection, see the Gas Furnace LP Conversion Kit Index 92-21519-47 and the latest edition of the National Fuel Gas Code Handbook, or the National Standard of Canada, Natural Gas and Propane Installation Code, CAN B149.1.

CAUTION: This information is provided for replacement purposes only. Conversion for operation at High Altitude must be done using the kit specified on the product specification sheet for the unit.

NOTE: This Orifice sizing chart is based on a Natural Gas heating value of 1075 BTU/cu. ft and a pressure setting of 3.5 in. water column.

NOTE: Factory installed orifices are calculated and sized based on a Natural Gas heating value of 1075 BTU/cu. ft. and an elevation of 0 - 2000 ft.

Furnace Input Rating (BTU/HR)	Canadian High Altitude Derated Input (BTU/HR)	Number of Burners	Elevation (ft.)					
			Country					
			0 - 2000 U.S.	2001 - 4000 U.S.	4001 - 6000 U.S.	8000+ U.S.	0 - 2000 Canada	2001 - 4500 Canada
40,000	36,000	2	62-22175-45	62-22175-47	62-22175-48	62-22175-49	62-22175-45	62-22175-15
60,000	54,000	3	62-22175-45	62-22175-47	62-22175-48	62-22175-49	62-22175-45	62-22175-15
72,000	N/A	4	62-22175-15	62-22175-49	62-22175-50	62-22175-51	62-22175-15	N/A
80,000	72,000	4	62-22175-45	62-22175-47	62-22175-48	62-22175-49	62-22175-45	62-22175-15
90,000	N/A	5	62-22175-15	62-22175-49	62-22175-50	62-22175-51	62-22175-15	N/A
100,000	90,000	5	62-22175-45	62-22175-47	62-22175-48	62-22175-49	62-22175-45	62-22175-15
120,000	108,000	6	62-22175-45	62-22175-47	62-22175-48	62-22175-49	62-22175-45	62-22175-15
135,000	121,500	6	62-22175-44	62-22175-45	62-22175-47	62-22175-48	62-22175-44	62-22175-45
150,000	135,000	6	62-22175-42	62-22175-43	62-22175-44	62-22175-45	62-22175-42	62-22175-44
180,000	N/A	9	62-22175-45	62-22175-47	62-22175-48	62-22175-49	62-22175-45	N/A
210,000	N/A	9	62-22175-43	62-22175-44	62-22175-45	62-22175-47	62-22175-43	N/A
210,000	N/A	10	62-22175-45	62-22175-47	62-22175-48	62-22175-49	62-22175-45	N/A
225,000	202,500	9	62-22175-42	62-22175-43	62-22175-44	62-22175-45	62-22175-42	62-22175-44
250,000	225,000	10	62-22175-42	62-22175-43	62-22175-44	62-22175-45	62-22175-42	62-22175-44
252,000	225,000	9	62-22175-40	62-22175-42	62-22175-43	62-22175-44	62-22175-40	62-22175-42
252,000	N/A	12	62-22175-45	62-22175-47	62-22175-48	62-22175-49	62-22175-45	N/A
290,000	N/A	14	62-22175-45	62-22175-47	62-22175-48	62-22175-49	62-22175-45	N/A
300,000	270,000	12	62-22175-42	62-22175-43	62-22175-44	62-22175-45	62-22175-42	62-22175-44
330,000	N/A	14	62-22175-43	62-22175-44	62-22175-45	62-22175-47	62-22175-43	N/A
350,000	315,000	14	62-22175-42	62-22175-43	62-22175-44	62-22175-45	62-22175-42	62-22175-44
400,000	360,000	14	62-22175-40	62-22175-42	62-22175-43	62-22175-44	62-22175-40	62-22175-42

PACKAGE EQUIPMENT - ORIFICE SELECTION CHART - LP

CAUTION: Selection of the correct LP Orifice requires the following information for the specific installation:

- 1) Furnace Input Rating (BTU/HR)
- 2) Number of Burners
- 2) Altitude (ft.)

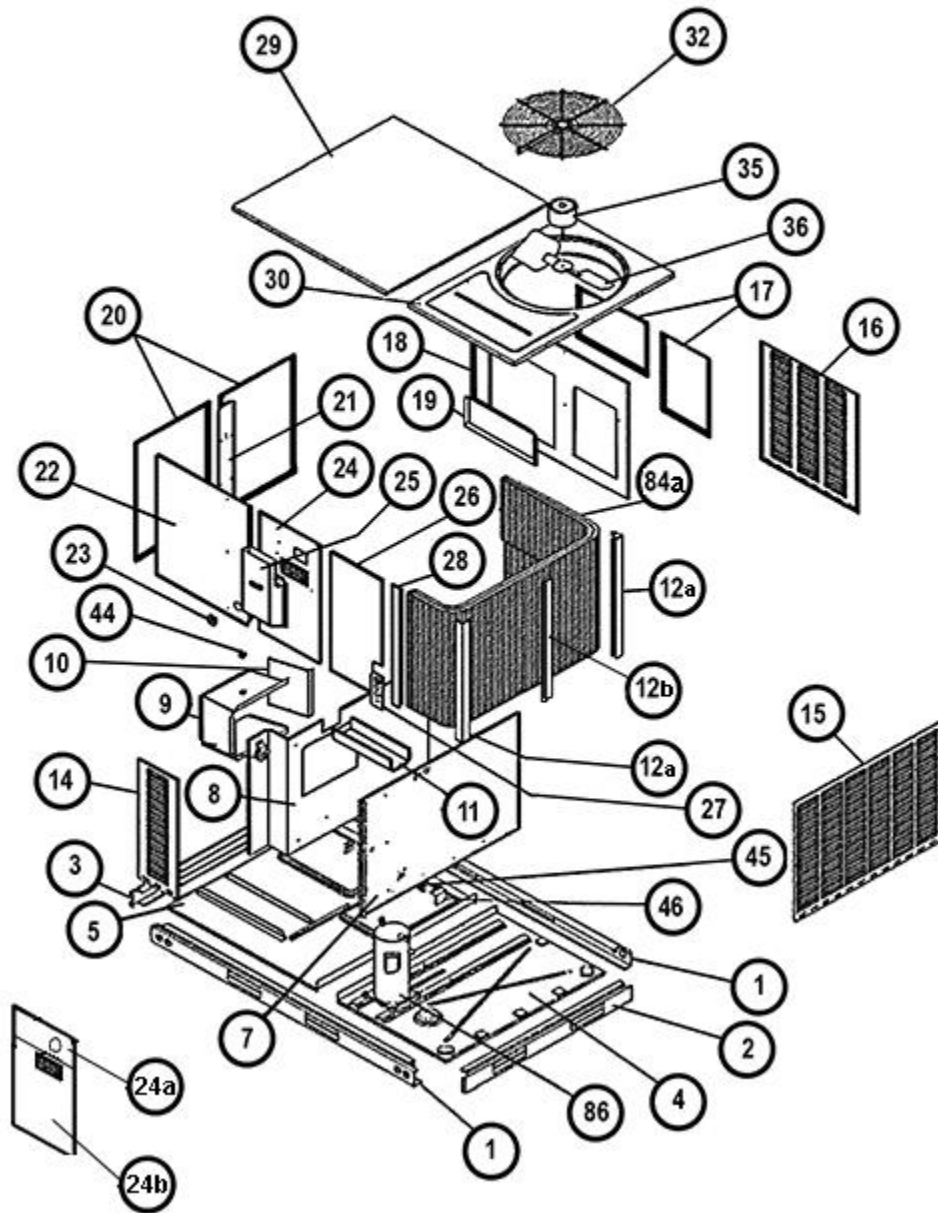
For detailed information and instructions for Orifice selection, see the Gas Furnace LP Conversion Kit Index 92-21519-47 and the latest edition of the National Fuel Gas Code Handbook, or the National Standard of Canada, Natural Gas and Propane Installation Code, CAN B149.1.

CAUTION: This information is provided for replacement purposes only. Conversion to LP or for operation at High Altitude should be done using the kit(s) specified on the product specification sheet for the unit.

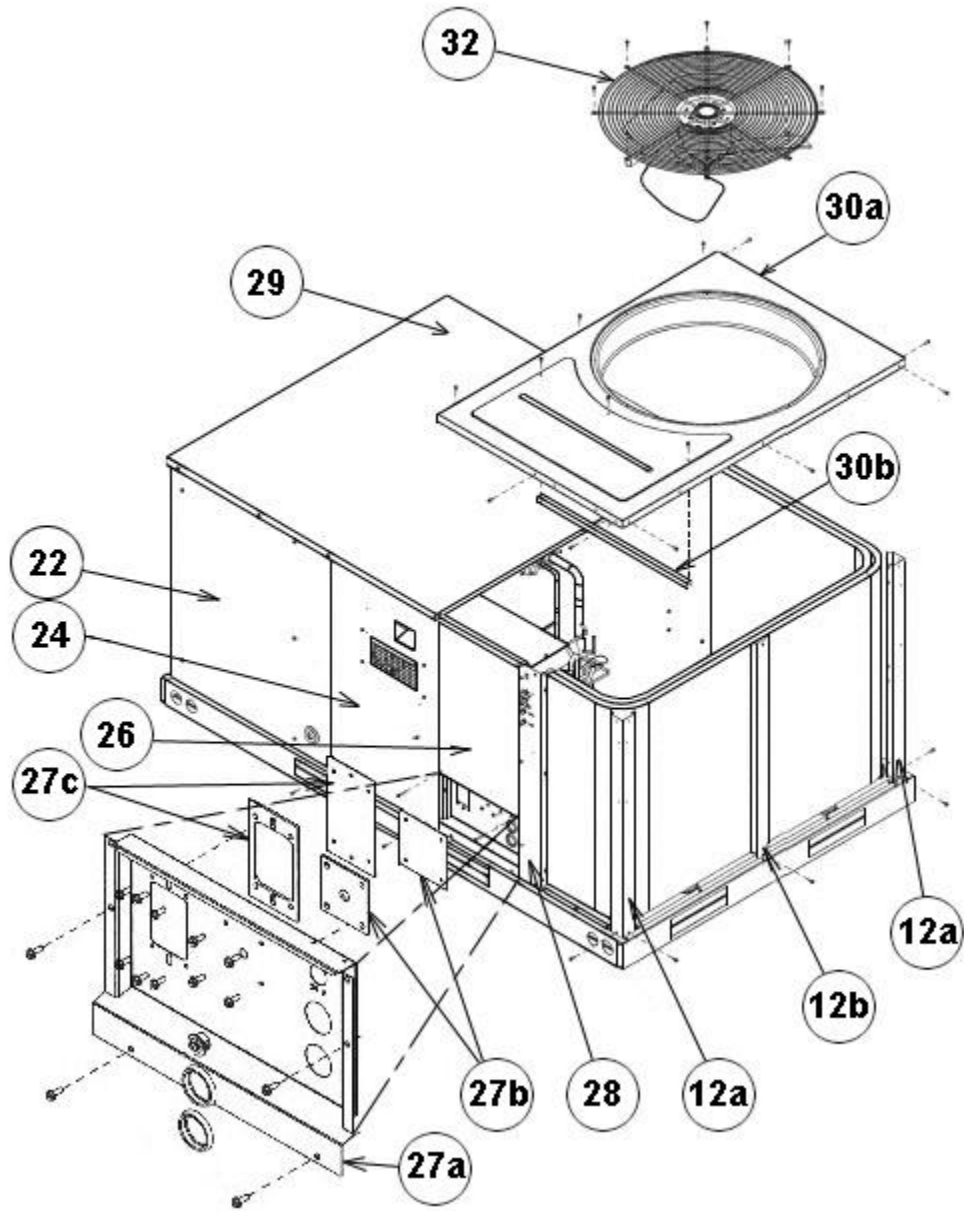
NOTE: This Orifice sizing chart is developed using the specified pressure setting of 10 in. water column instead of the 11.0 in water column used by the NFG and CANB149.1.

NOTE: Orifices supplied in the LP Conversion Kit are calculated and sized based on a heating value of 2500 BTU/cu. ft. and an elevation of 0 - 2000 ft.

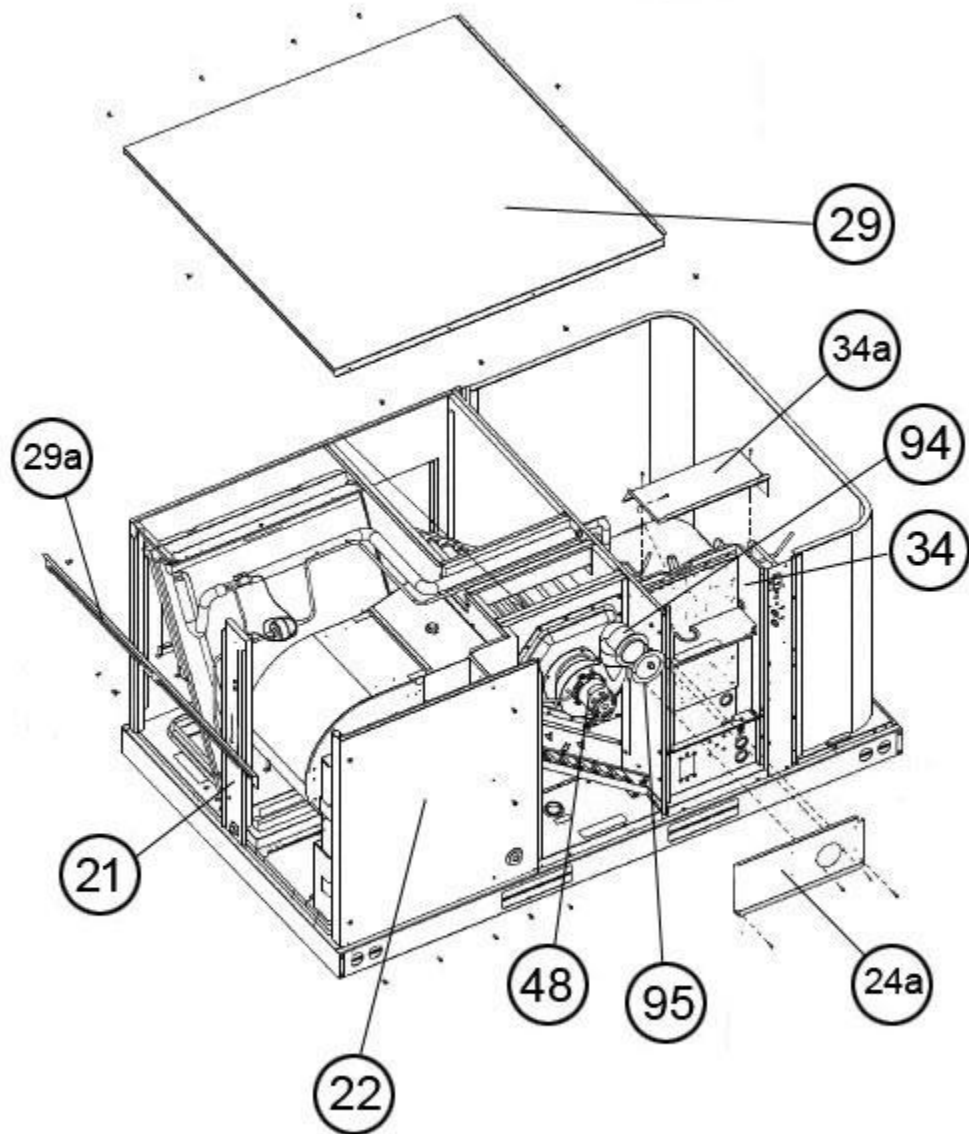
Furnace Input Rating (BTU/HR)	Canadian High Altitude Derated Input (BTU/HR)	Number of Burners	Elevation (ft.)					
			Country					
			0 - 2000 U.S.	2001 - 4000 U.S.	4001 - 6000 U.S.	8000+ U.S.	0 - 2000 Canada	2001 - 4500 Canada
40,000	36,000	2	62-22175-55	62-22175-55	62-22175-56	62-22175-56	62-22175-55	62-22175-13
60,000	54,000	3	62-22175-55	62-22175-55	62-22175-56	62-22175-56	62-22175-55	62-22175-13
72,000	N/A	4	62-22175-13	62-22175-57	62-22175-57	62-22175-59	62-22175-13	N/A
80,000	72,000	4	62-22175-55	62-22175-55	62-22175-56	62-22175-56	62-22175-55	62-22175-13
90,000	N/A	5	62-22175-13	62-22175-57	62-22175-57	62-22175-59	62-22175-13	N/A
100,000	90,000	5	62-22175-55	62-22175-55	62-22175-56	62-22175-56	62-22175-55	62-22175-13
120,000	108,000	6	62-22175-55	62-22175-55	62-22175-56	62-22175-56	62-22175-55	62-22175-13
135,000	121,500	6	62-22175-54	62-22175-55	62-22175-55	62-22175-56	62-22175-54	62-22175-55
150,000	135,000	6	62-22175-54	62-22175-55	62-22175-55	62-22175-56	62-22175-54	62-22175-54
180,000	N/A	9	62-22175-55	62-22175-55	62-22175-56	62-22175-56	62-22175-55	N/A
210,000	N/A	9	62-22175-54	62-22175-55	62-22175-55	62-22175-56	62-22175-54	N/A
210,000	N/A	10	62-22175-55	62-22175-55	62-22175-56	62-22175-56	62-22175-55	N/A
225,000	202,500	9	62-22175-54	62-22175-55	62-22175-55	62-22175-56	62-22175-54	62-22175-54
250,000	225,000	10	62-22175-54	62-22175-55	62-22175-55	62-22175-56	62-22175-54	62-22175-54
252,000	225,000	9	62-22175-53	62-22175-54	62-22175-54	62-22175-55	62-22175-53	62-22175-54
252,000	N/A	12	62-22175-55	62-22175-55	62-22175-56	62-22175-56	62-22175-55	N/A
290,000	N/A	14	62-22175-55	62-22175-55	62-22175-56	62-22175-56	62-22175-55	N/A
300,000	270,000	12	62-22175-54	62-22175-55	62-22175-55	62-22175-56	62-22175-54	62-22175-54
330,000	N/A	14	62-22175-54	62-22175-55	62-22175-55	62-22175-56	62-22175-54	N/A
350,000	315,000	14	62-22175-54	62-22175-55	62-22175-55	62-22175-56	62-22175-54	62-22175-54
400,000	360,000	14	62-22175-53	62-22175-54	62-22175-54	62-22175-55	62-22175-53	62-22175-54



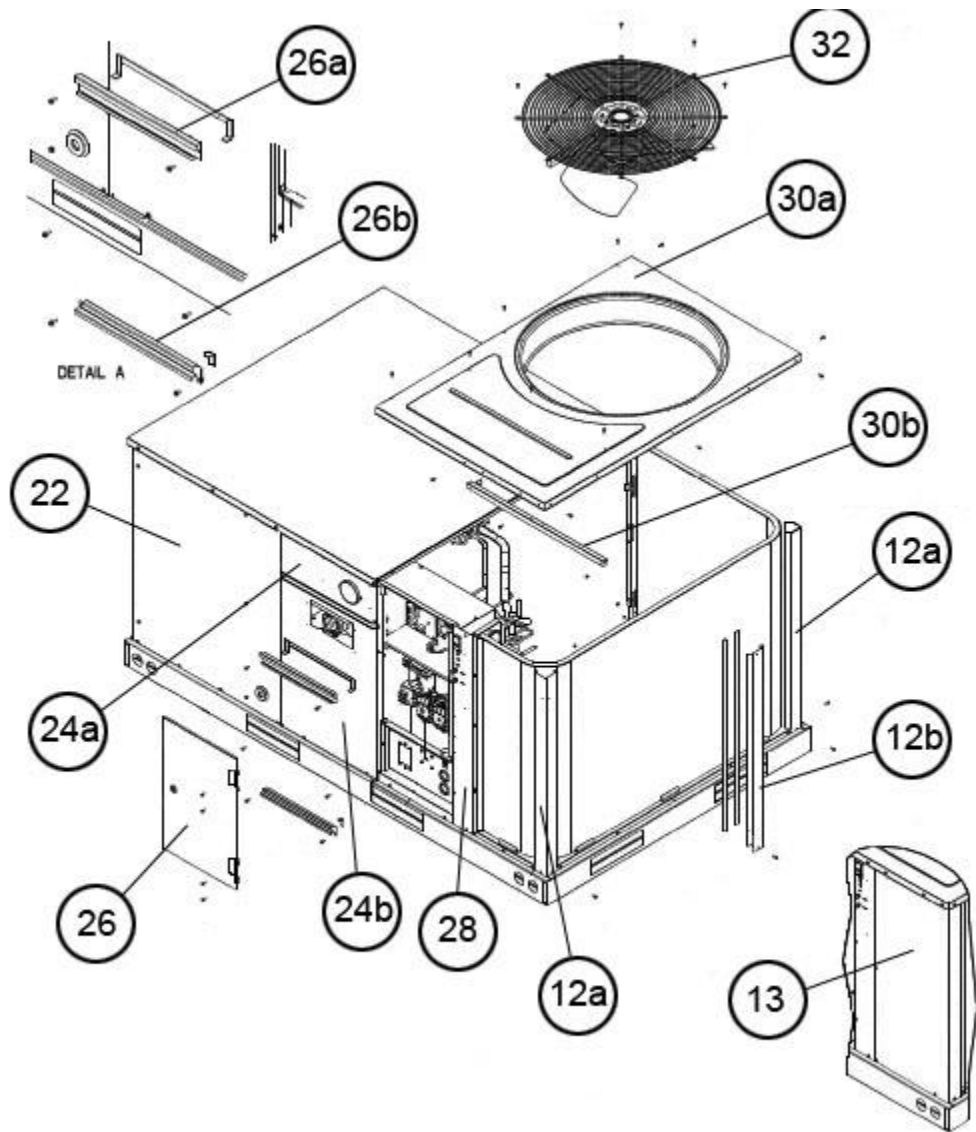
Exploded View 036-060



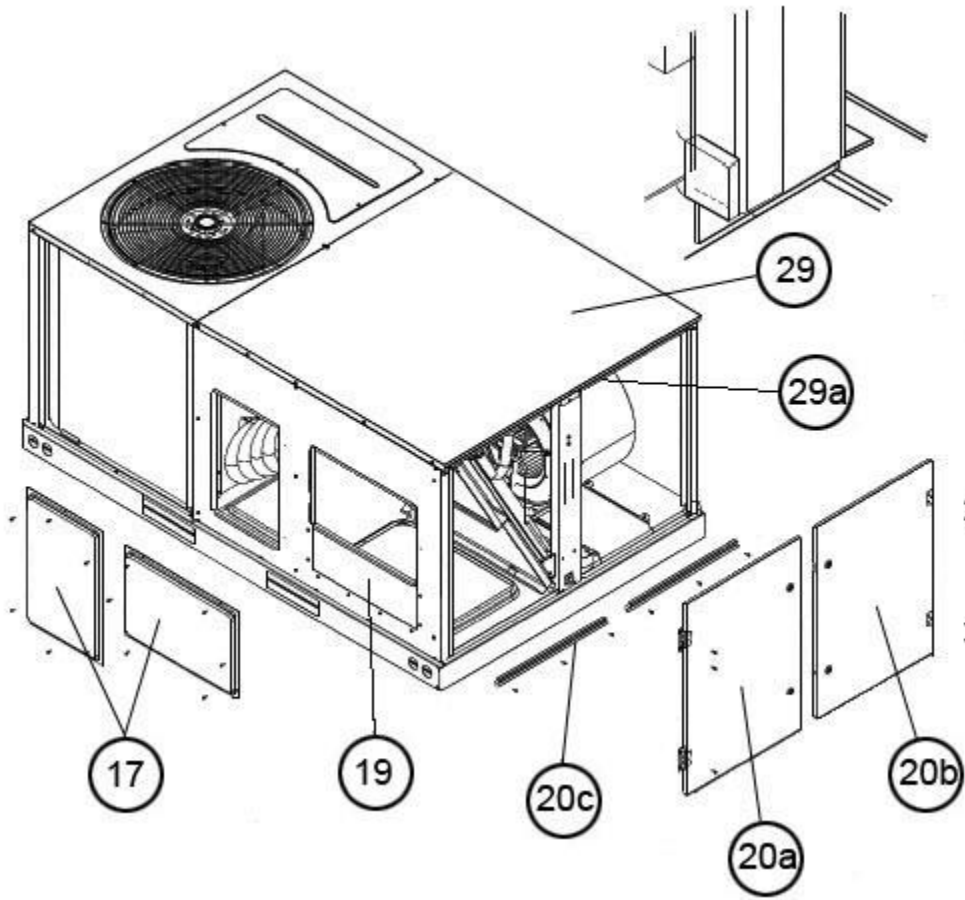
Top Panel View



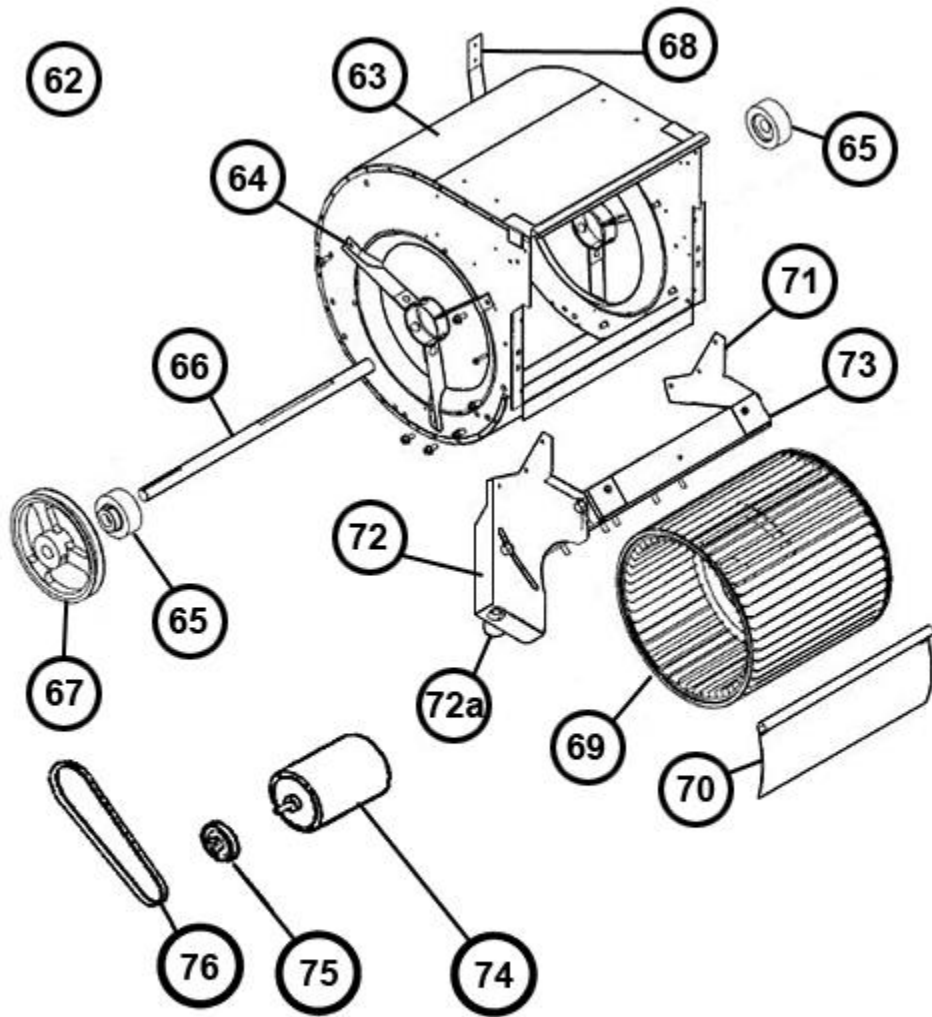
Top Panel View



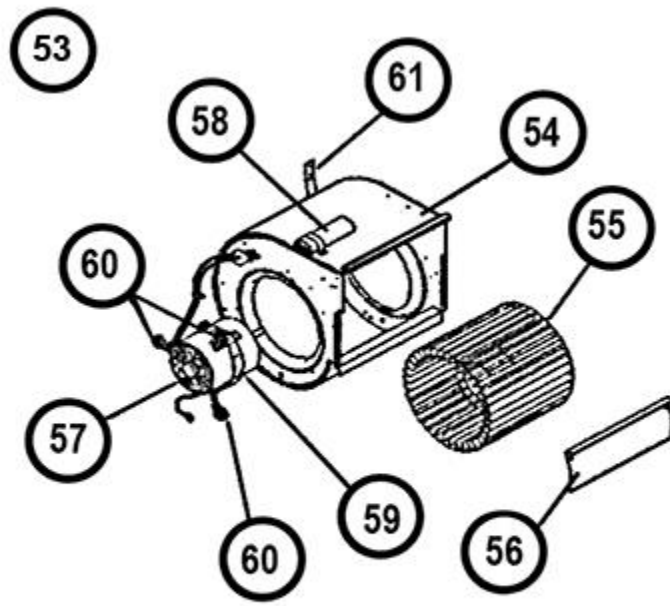
Top Panel View (Hinged Doors)



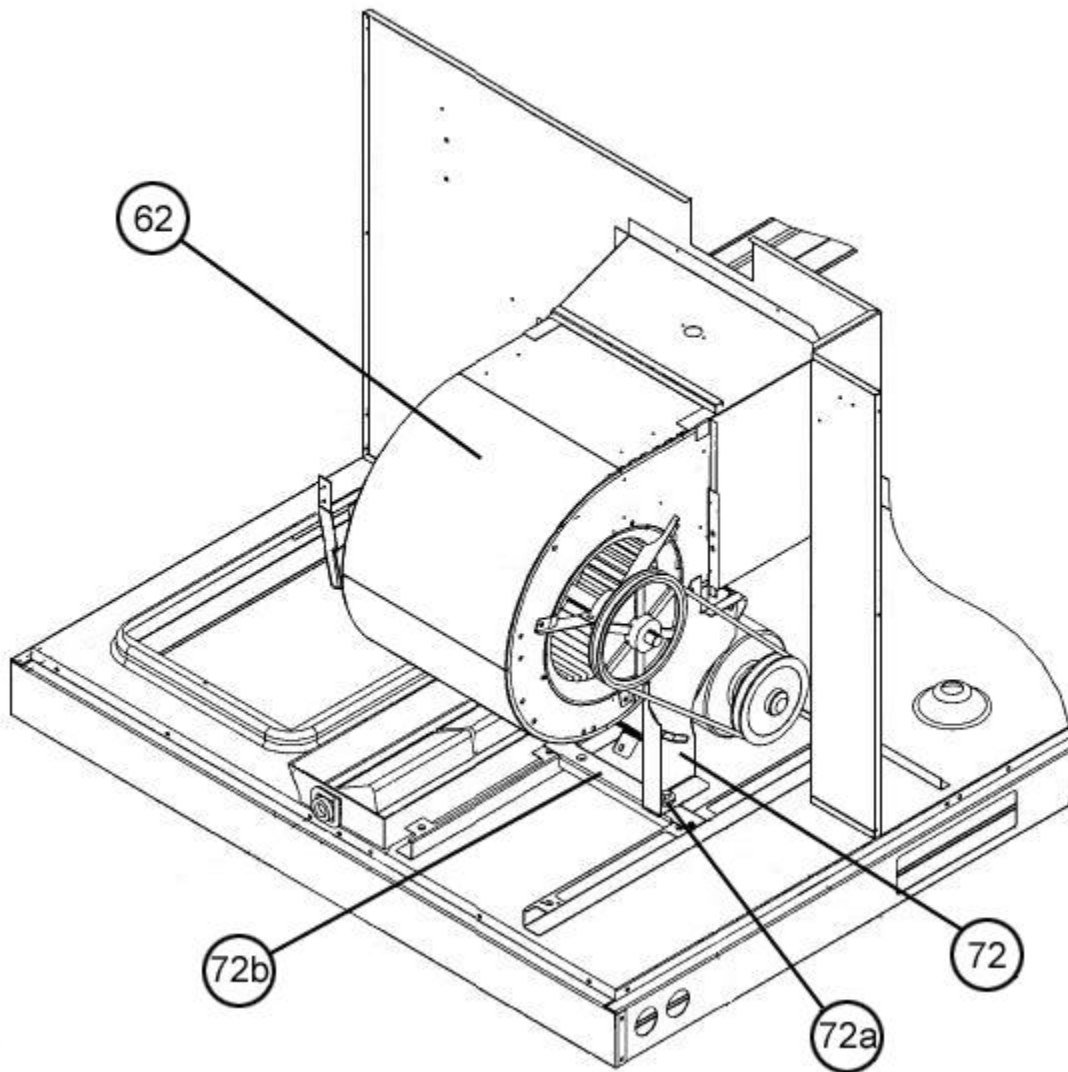
End Panel View (Hinged Doors)



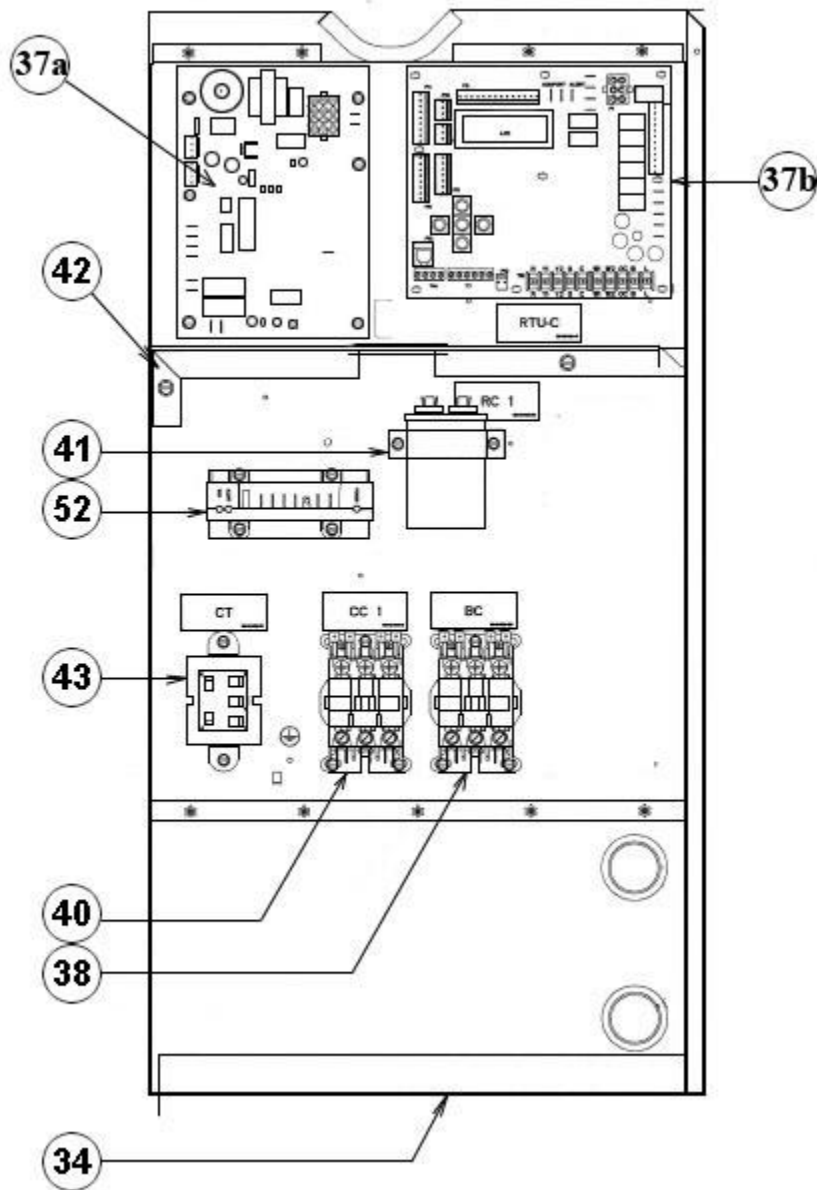
Blower Assembly - Belt Drive 036-048



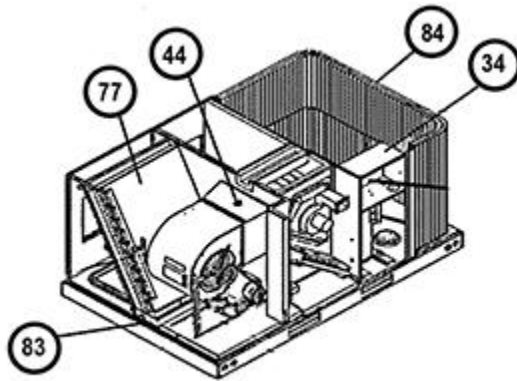
Blower Assembly - Direct Drive 060



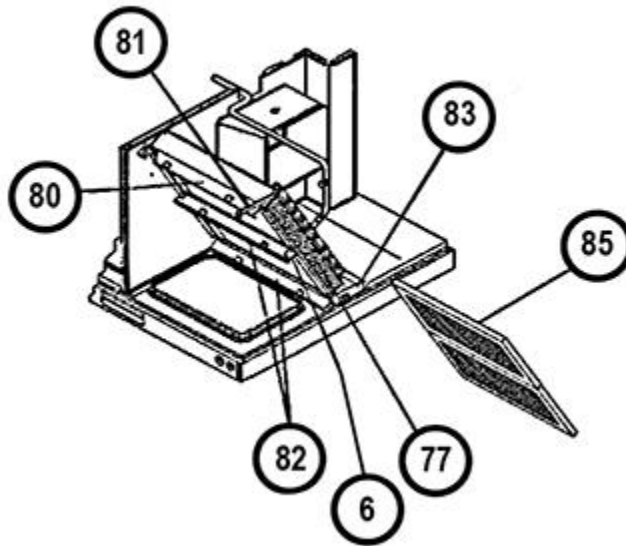
Blower Motor Mount Assembly - Belt Drive 030-048



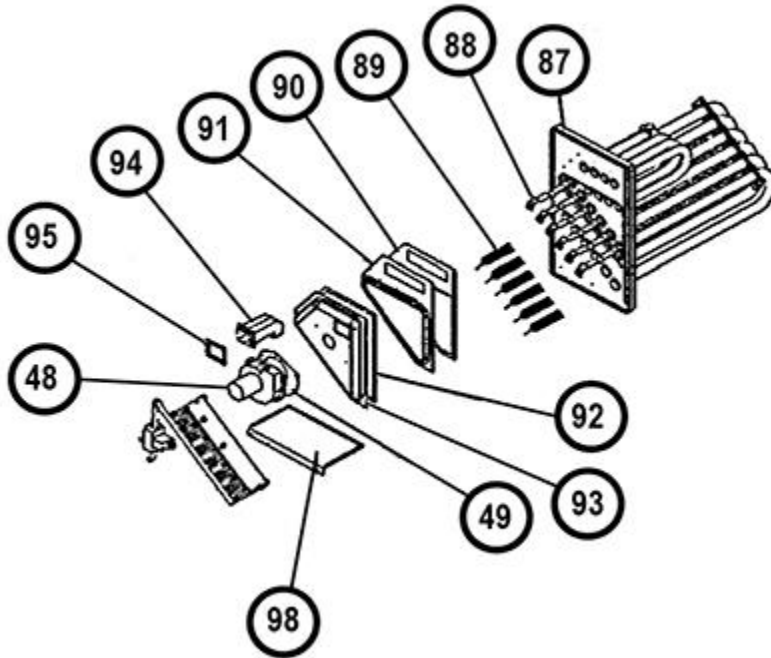
Control Box 036-060



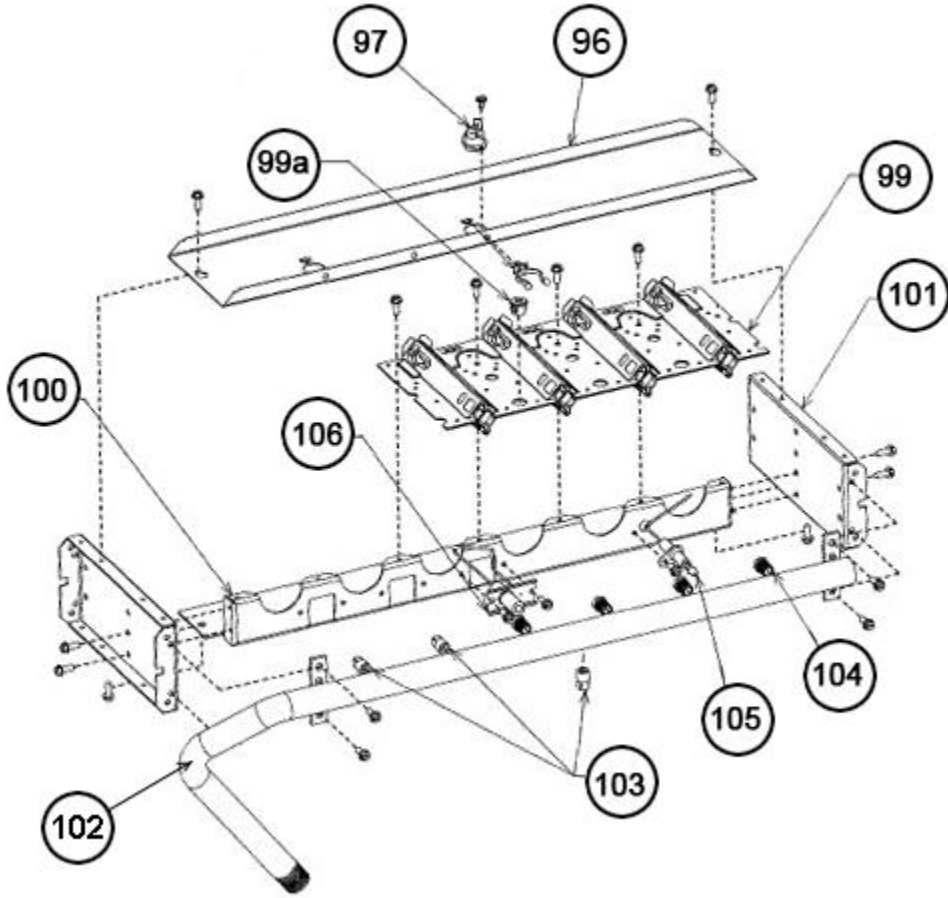
Coil Group Cut-away View 036-060



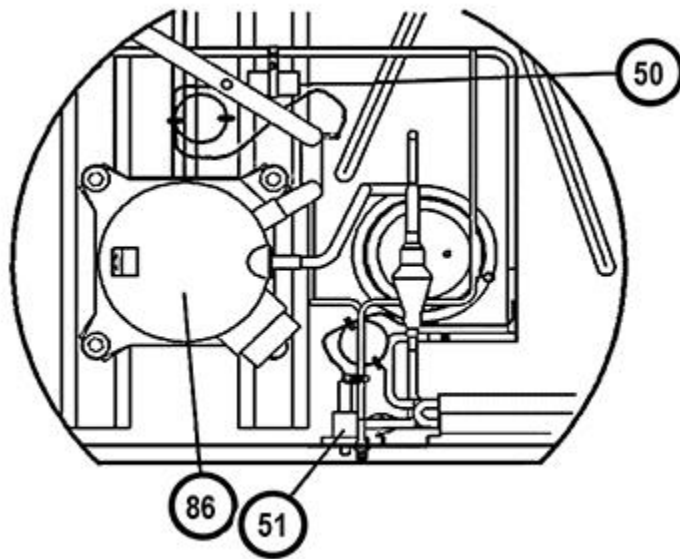
Evaporator Coil - Filter Parts 036-060



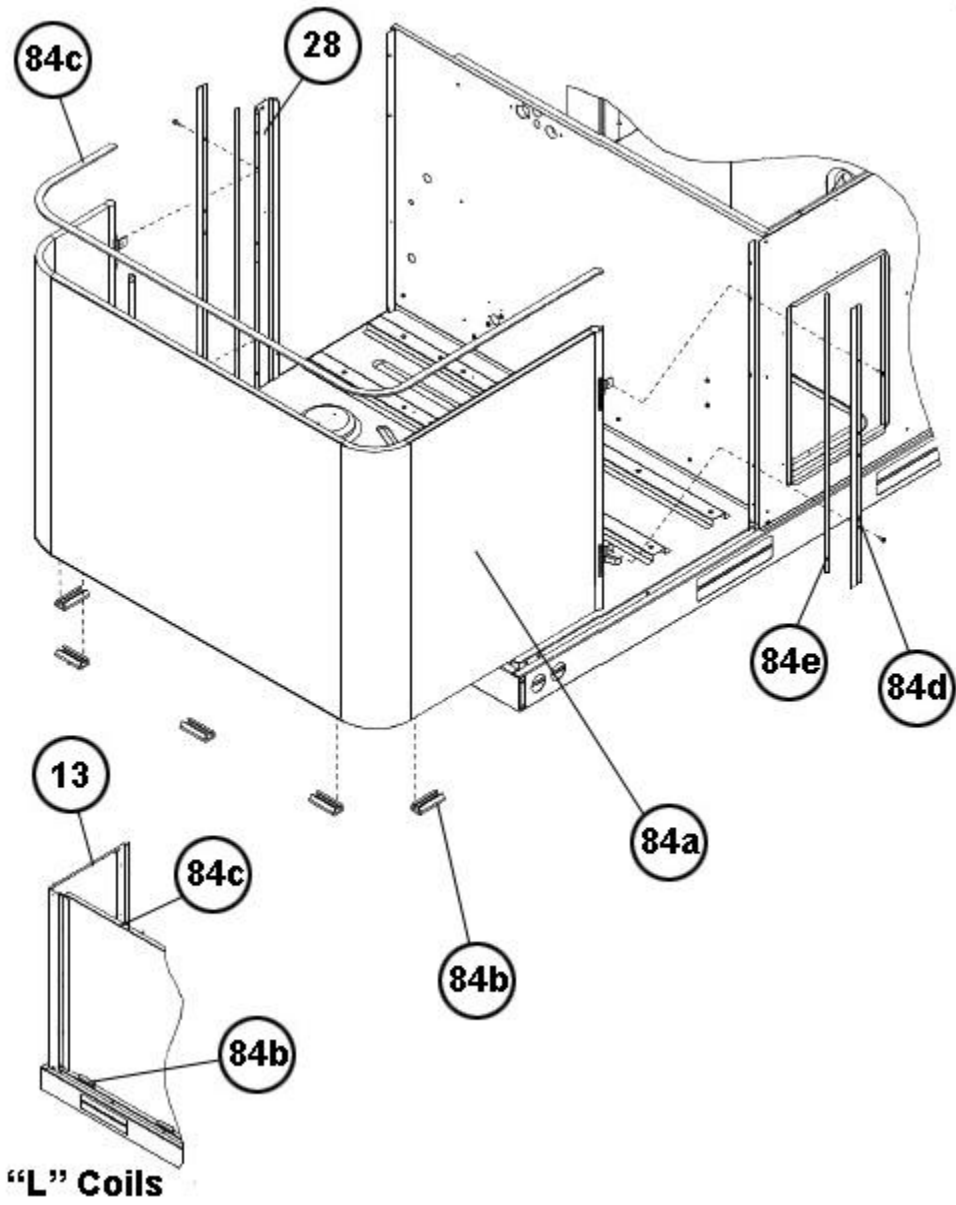
Heat Exchanger Assembly 036-060



One Piece Burner Assembly 036-060



Compressor - Refrigeration Group 036-060



Condenser Coil Pads 036-060

NOTES

Stk It is recommended that stock be maintained for this part.

N/A Not Applicable

- 1 Order Gas Valve for Natural Gas along with LP Conversion Kit.
- 2 Temperature Sensors are integral with the Wiring Harness and are not individually replaceable.

DISCLAIMER: This document is intended to provide general replacement parts information to aid qualified service personnel in the repair of these models. The complete Model and Serial Number of the unit under repair should be specified when selecting and ordering replacement parts. Specifications and illustrations are subject to change without notice. Document 92-42800-RKQN-C supersedes all previous parts lists for these models. See <http://www.rheempartslists.net/92-42800-RKQN-C> for the latest revision of this document. The manufacturer assumes no obligation for errors or omissions. Service personnel must verify the proper and safe operation of equipment after the replacement of any original components.