



# RKPN-C

Parts List  
04-March-2021



*This parts list is current as of the above revision date.  
See <http://www.rheempartslists.net/92-42800-RKPN-C.pdf> for the current revision.*

**Package Gas-Electric - Commercial**

# Table of Contents

Model Explanation .....	Page 3
<b>Parts Numbers</b>	
Panels - Miscellaneous 036-060 .....	Page 4
Electrical Group 036-060 .....	Page 5
Fan Group 036-060 .....	Page 6
Blower Group - Belt Drive (036-048) .....	Page 7
Blower Group - Belt Drive (060) .....	Page 8
Coil Parts 036-060 .....	Page 9
Compressor Group 036-060 .....	Page 10
Heat Exchanger-Burner Group 036-060 .....	Page 11
Gas Controls .....	Page 12
Accessories 036-60 .....	Page 13
Orifice Selection Chart .....	Page 14
<b>Drawings/Photographs</b>	
Exploded View 036-060 .....	Page 15
Top Panel View 036-060 .....	Page 16
Blower Assembly - Belt Drive 036-060 .....	Page 17
Control Box 036-060 .....	Page 18
Blower Motor Mount Assembly - Belt Drive 030-060 .....	Page 19
Coil Group Cut-away View 036-060 .....	Page 20
Evaporator Coil - Filter Parts 036-060 .....	Page 20
Coil Group (including option 555) 036-060 .....	Page 21
Heat Exchanger Assembly 036-060 .....	Page 22
One Piece Burner Assembly 036-060 .....	Page 22
Compressor - Refrigeration Group 036-060 .....	Page 23
Condenser Coil Pads 036-060 .....	Page 24
Notes/Disclaimer .....	Page 25

**MODEL NUMBER EXPLANATION**

<b>R</b>	<b>K</b>	<b>P</b>	<b>N</b>	<b>-</b>	<b>C</b>	<b>0</b>	<b>6</b>	<b>0</b>	<b>C</b>	<b>L</b>	<b>1</b>	<b>3</b>	<b>E</b>	<b>555</b>	<b>AA</b>	<b>C</b>
1	2	3	4		5	6		7	8	9		10	11	12	13	

- |  |   |
|--|---|
| <p><b>1 TRADE NAME</b></p> <p><b>2 K = PACKAGE GAS / ELECTRIC</b><br/>Commercial</p> <p><b>3 EFFICIENCY DESIGNATION</b><br/>P = 14 SEER</p> <p><b>4 DESIGN SERIES</b><br/>R-410A</p> <p><b>5 TECHNICAL VARIATION</b></p> <p><b>6 COOLING CAPACITY (BTU/HR) kW</b><br/>036 = 36,000 10.55<br/>048 = 48,000 14.07<br/>060 = 60,000 17.58</p> <p><b>7 ELECTRICAL DESIGNATION</b><br/>C = 208-230/3/60<br/>D = 460/3/50<br/>Y = 575/3/60</p> | <p><b>8 DRIVE PACKAGE</b><br/>L = Belt Drive<br/>M = Belt Drive - High Static</p> <p><b>9 HEATING CAPACITY (MBH)</b><br/>08 = 80,000<br/>10 = 100,000<br/>12 = 120,000<br/>13 = 135,000</p> <p><b>10 IGNITION SYSTEM</b><br/>E = Electric Ignition</p> <p><b>11 REHEAT (option 555, where applicable)</b></p> <p><b>12 OPTION CODES</b></p> <p><b>13 ECONOMIZER OPTIONS</b></p> |
|--|---|

**SERIAL NUMBER EXPLANATION**

<b>F</b>	<b>0</b>	<b>8</b>	<b>1</b>	<b>3</b>	<b>9</b>	<b>9</b>	<b>9</b>	<b>9</b>	<b>9</b>
1	2		3		4				

- 1 PLANT CODE**
- 2 WEEK OF PRODUCTION**
- 3 YEAR OF PRODUCTION**
- 4 PRODUCTION NUMBER**

**Note: For Compressor Identification Number, see Compressor Code on Rating Plate  
For Gas Code, see Control System Gas Code on Rating Plate**

No.	Notes	MODEL TECHNICAL VARIATION COOLING CAPACITY	RKPN- C 036	RKPN- C 048	RKPN- C 060
<b>PANELS, MISCELLANEOUS PARTS</b>					
1		Base Rail - Side (2)	AE-58900-01	AE-58900-01	AE-58900-01
2		Base Rail - Condenser End	AE-58901-01	AE-58901-01	AE-58901-01
3		Base Rail - Evaporator End	AE-58902-01	AE-58902-01	AE-58902-01
4		Outdoor Coil Base Pan	AS-59051-03H	AS-59051-03H	AS-59051-03H
5		Indoor Coil Base Pan	AS-58910-05	AS-58910-05	AS-58910-05
7		Condenser Bulkhead (08E, 10E, 12E Heat Capacity, Includes Limit Baffle and Tube Support Angles)	AS-103277-02	AS-103277-02	AS-103277-02
7		Condenser Bulkhead (13E Heat Capacity, Includes Limit Baffle and Tube Support Angles)	N/A	AS-103277-01	AS-103277-01
		Limit Baffle - Attached To Condenser Bulkhead (08E, 10E, 12E Heat Capacity)	AE-58913-02	AE-58913-02	AE-58913-02
		Limit Baffle - Attached To Condenser Bulkhead (13E Heat Capacity)	N/A	AE-58913-01	AE-58913-01
		Tube Support Angle - Attached To The Condenser Bulkhead	AE-59139-01	AE-59139-01	AE-59139-01
8		Blower Bulkhead Assembly (Does not include Blower Extensions, Cover Plate, Insulation Retainer)	AS-103385-01	AS-103385-01	AS-103385-01
		Tube Support Angle (Small piece attached to the Blower Bulkhead)	AE-59139-02	AE-59139-02	AE-59139-02
9		Blower Extension - Front	AE-58928-01	AE-58928-01	AE-58928-01
10		Blower Extension - Back	AE-58928-02	AE-58928-02	AE-58928-02
		Insulation Retainer	AE-59059-01	AE-59059-01	AE-59059-01
11		Wire Chase Insulation Assembly	AS-103291-01	AS-103291-01	AS-103291-01
12a		Corner Post (2)	AS-58965-01H	AS-58965-01H	AS-58965-01H
12b		Center Coil Post	AS-58967-01H	AS-58967-01H	AS-58967-01H
13		Front Corner Post ("L" Coil Only)	AS-104519-01H	N/A	N/A
14		Louvered Panel		See Accessories	
15		Louvered Panel		See Accessories	
16		Louvered Panel		See Accessories	
17		Return/Supply Cover Assembly	AS-58992-01H	AS-58992-01H	AS-58992-01H
18		Rear Panel (Includes Insulation, Filler Panel, and Stripping)	AS-58976-01H	AS-58976-01H	AS-58976-01H
19		Filler Panel - Return Air	AE-58974-01	AE-58974-01	AE-58974-01
		Filler Panel Stripping	AE-58897-10	AE-58897-10	AE-58897-10
20		Blower/Filter Access Panels (2)	AS-58990-01H	AS-58990-01H	AS-58990-01H
21		Post - Left End	AS-58973-01H	AS-58973-01H	AS-58973-01H
22		Front Panel Assembly	AS-59132-01H	AS-59132-01H	AS-59132-01H
23		Grommet	56-22114-06	56-22114-06	56-22114-06
24		Heating Compartment Access Panel - Before F4914	AS-58988-02H	AS-58988-02H	AS-58988-02H
24a		Heating Compartment Access Panel - Upper (On or After F4914)	AS-58988-03H	AS-58988-03H	AS-58988-03H
24b		Heating Compartment Access Panel - Lower (On or After F4914)	AS-58987-06H	AS-58987-06H	AS-58987-06H
25		Flue Hood Assembly - Before F4914	AS-58945-01	AS-58945-01	AS-58945-01
25		Flue Hood Assembly - On or After F4914	AS-58945-04	AS-58945-04	AS-58945-04
		Mounting Panel - External Disconnect	AS-59133-02H	AE-59133-01	AE-59133-01
26		Control Box Access Door	AS-103284-01H	AS-103284-01H	AS-103284-01H
27a		Control Box Insert Panel	AS-103283-01H	AS-103283-01H	AS-103283-01H
27b		Disconnect Plate	AS-90756-05H	AS-90756-05H	AS-90756-05H
27c		Receptacle Plate	AS-90756-02H	AS-90756-02H	AS-90756-02H
28		Front Post	AS-103288-01H	AS-103288-01H	AS-103288-01H
29		Indoor Coil Top Panel Assembly	AS-58979-01H	AS-58979-01H	AS-58979-01H
30a		Condenser Top Panel	AS-58981-01H	AS-58981-01H	AS-58981-01H
30b		Support - Condenser Top Panel	AE-58980-01	AE-58980-01	AE-58980-01
32		Wire Grille	95-101660-01	95-101660-01	95-101660-01
34		Control Box (w/o components)	AS-103281-01	AS-103281-01	AS-103281-01

No.	Notes	MODEL TECHNICAL VARIATION COOLING CAPACITY ELECTRICAL DESIGNATION	RKPN- C 036-060 C	RKPN- C 036-060 D	RKPN- C 036-060 Y
<b>ELECTRIC GROUP</b>					
		Outlet Box	45-41952-02	45-41952-02	45-41952-02
		Receptacle Cover	45-41953-02	45-41953-02	45-41953-02
		Receptacle - Ground Fault	45-41954-01	45-41954-01	45-41954-01
		Disconnect Switch	42-100650-01	42-100650-01	42-100650-01
<b>MISCELLANEOUS COMPONENTS:</b>					
44		Auxiliary Limit - Blower Extension	47-17359-30	47-17359-30	47-17359-30
	Stk	Pressure Switch - Before F4914	42-24335-20	42-24335-20	42-24335-20
	Stk	Pressure Switch - On or After F4914	42-104851-01	42-104851-01	42-104851-01
48	Stk	Inducer Blower Motor - Including Gasket (Before F4914)	70-23641-01	70-23641-02	70-23641-01
48	Stk	Inducer Blower Motor - Including Gasket (On or After F4914)	70-101087-02	70-101087-03	70-101087-02
49	Stk	Inducer Blower Motor Gasket (Before F4914)	68-23643-01	68-23643-01	68-23643-01
49	Stk	Inducer Blower Motor Gasket (On or After F4914)	68-22850-01	68-22850-01	68-22850-01
		Pressure Switch Assembly - (Clogged Filter and Fan Proving)	42-103320-27	42-103320-27	42-103320-27
50	Stk	Low Pressure Control	47-102240-03	47-102240-03	47-102240-03
51	Stk	High Pressure Control	47-23699-04	47-23699-04	47-23699-04
<b>CONTROL BOX COMPONENTS:</b>					
	Stk	Integrated Furnace Control	See Gas Controls		
37	Stk	Unit Controller (RTU-C)	47-102883-02	47-102883-02	47-102883-02
		Controller - Outdoor Fan Motor (Reheat, option 555)	47-104039-01	47-104039-01	N/A
		Sensor LLS1 "Temp Probe" from OFMC (Reheat, option 555)	47-102710-09	47-102710-09	N/A
38	Stk	Belt Drive Blower Contactor	42-102664-08	42-102664-08	42-102664-08
		Ground Lug	45-19000-01	45-19000-01	45-19000-01
40	Stk	Compressor Contactor	See Compressor Group		
41		Capacitor - Fan Motor	See Fan Group		
42	Stk	Low Voltage Shield	AE-103285-01	AE-103285-01	AE-103285-01
43	Stk	Transformer	46-103324-01	46-103324-02	46-103324-01
43	Stk	Transformer (Reheat, option 555)	46-42515-04	46-42515-04	N/A
52		Comfort Alert	42-101504-03	42-101504-03	42-101504-03
<b>WIRING HARNESES:</b>					
		Temperature Sensors	See Note 3		
		Jumper - 7 Pin Connector (Unit Configuration)	45-42522-110	45-42522-110	45-42522-110
		Wiring Harness - Reheat, option 555 (12 pin to 6 terminals, Temperature Sensor LLS2, 2 stripped wires)	45-42522-115	45-42522-115	N/A
3		Wiring Harness - Economizer (8 Pin and 9 Pin) to (12 Pin, 4 Pin, 4 Connectors, and 2 Sensors)	45-42522-107	45-42522-107	45-42522-107
3		Wiring Harness - Compressor Control, 14 Pin to (two 2 Pin Connectors and 2 Sensors)	45-42522-111	45-42522-111	45-42522-111
		Wiring Harness - IFC Communication (4 Pin to 4 Pin)	45-42522-95	45-42522-95	45-42522-95
		Wiring Harness - 12 Pin from IFC to 9 Connectors	AS-102393-04	AS-102393-04	AS-102393-04

No.	Notes	MODEL TECHNICAL VARIATION COOLING CAPACITY ELECTRICAL DESIGNATION	RKPN- C 036 C	RKPN- C 036 D	RKPN- C 036 Y	RKPN- C 048 C	RKPN- C 048 D
<b>FAN GROUP</b>							
35	Stk	Fan Motor	<a href="#">51-100998-30</a>	<a href="#">51-100998-31</a>	51-100998-14	<a href="#">51-100998-30</a>	<a href="#">51-100998-31</a>
36	Stk	Fan Blade	70-23594-01	70-23594-01	70-23594-01	70-23594-01	70-23594-01
41	Stk	Capacitor - Fan Motor	43-100496-04	43-100496-04	43-100496-11	43-100496-04	43-100496-04

No.	Notes	MODEL TECHNICAL VARIATION COOLING CAPACITY ELECTRICAL DESIGNATION	RKPN- C 048 Y	RKPN- C 060 C	RKPN- C 060 D	RKPN- C 060 Y	
<b>FAN GROUP</b>							
35	Stk	Fan Motor	51-100998-14	<a href="#">51-100998-32</a>	<a href="#">51-100998-33</a>	51-100998-14	
36	Stk	Fan Blade	70-23594-01	<a href="#">70-42484-01</a>	<a href="#">70-42484-01</a>	<a href="#">70-42484-01</a>	
41	Stk	Capacitor - Fan Motor	43-100496-11	43-100496-12	43-100496-12	43-100496-11	

No.	Notes	MODEL TECHNICAL VARIATION COOLING CAPACITY ELECTRICAL DESIGNATION DRIVE PACKAGE	RKPN- C 036-048 C L	RKPN- C 036-048 D L	RKPN- C 036-048 Y L	RKPN- C 036-048 C M	RKPN- C 036-048 D M	RKPN- C 036-048 Y M
<b>BLOWER GROUP - BELT DRIVE</b>								
62	Stk	Blower Assembly - Size 036 (Includes items 63-66 & 68-73, Excluding items 67 & 72b)	AS-101336-01	AS-101336-01	AS-101336-01	AS-101336-05	AS-101336-05	AS-101336-05
62	Stk	Blower Assembly - Size 048 (Includes items 63-66 & 68-73, Excluding items 67 & 72b)	AS-101336-05	AS-101336-05	AS-101336-05	AS-101336-04	AS-101336-04	AS-101336-04
63		Housing	AS-101341-01	AS-101341-01	AS-101341-01	AS-101341-01	AS-101341-01	AS-101341-01
64		Bearing Frame Tri-Arm (2)	70-41723-03	70-41723-03	70-41723-03	70-41723-03	70-41723-03	70-41723-03
65	Stk	Ball Bearing And Cushion (2)	70-41911-01	70-41911-01	70-41911-01	70-41911-01	70-41911-01	70-41911-01
66	Stk	Blower Shaft	70-21933-02	70-21933-02	70-21933-02	70-21933-02	70-21933-02	70-21933-02
67	Stk	Fixed Pitch Sheave - Size 036	71-100772-04	71-100772-04	71-100772-04	71-21932-03	71-21932-03	71-21932-03
67	Stk	Fixed Pitch Sheave - Size 048	71-21932-03	71-21932-03	71-21932-03	71-100772-02	71-100772-02	71-100772-02
68		Blower Support - Left	AE-58950-02	AE-58950-02	AE-58950-02	AE-58950-02	AE-58950-02	AE-58950-02
69	Stk	Blower Wheel	70-23589-01	70-23589-01	70-23589-01	70-23589-01	70-23589-01	70-23589-01
70		Cut-Off Tabulation	AE-64401-05	AE-64401-05	AE-64401-05	AE-64401-05	AE-64401-05	AE-64401-05

No.	Notes	MODEL TECHNICAL VARIATION COOLING CAPACITY ELECTRICAL DESIGNATION DRIVE PACKAGE	RKPN- C 036-048 C L	RKPN- C 036-048 D L	RKPN- C 036-048 Y L	RKPN- C 036-048 C M	RKPN- C 036-048 D M	RKPN- C 036-048 Y M
<b>BLOWER MOTOR MOUNTING - BELT DRIVE</b>								
		MOTOR MOUNTING:						
71		Blower Bracket - Sizes 036-048	AE-101124-01	AE-101124-01	AE-101124-01	AE-101124-01	AE-101124-01	AE-101124-01
72		Blower Bracket - Drive Side - Sizes 036-048	AE-101124-04	AE-101124-04	AE-101124-04	AE-101124-04	AE-101124-04	AE-101124-04
72a		Grommet	56-18518-04	56-18518-04	56-18518-04	56-18518-04	56-18518-04	56-18518-04
72b		Cross Brace	AE-101467-01	AE-101467-01	AE-101467-01	AE-101467-01	AE-101467-01	AE-101467-01
73		Motor Mount Assembly - Sizes 036-048	AS-101340-01	AS-101340-01	AS-101340-01	AS-101340-01	AS-101340-01	AS-101340-01

No.	Notes	MODEL TECHNICAL VARIATION COOLING CAPACITY ELECTRICAL DESIGNATION DRIVE PACKAGE	RKPN- C 036-048 C L	RKPN- C 036-048 D L	RKPN- C 036-048 Y L	RKPN- C 036-048 C M	RKPN- C 036-048 D M	RKPN- C 036-048 Y M
<b>BLOWER MOTOR GROUP - BELT DRIVE</b>								
74		Blower Motor - Size 036	51-42579-01	51-42579-01	51-22241-02	51-42579-01	51-42579-01	51-22241-02
74		Blower Motor - Size 048	51-42579-01	51-42579-01	51-22241-02	51-21909-01	51-21909-01	51-22241-02
75		Variable Pitch Sheave - Size 036	71-40427-30	71-40427-30	71-40427-30	71-40427-25	71-40427-25	71-40427-25
75		Variable Pitch Sheave - Size 048	71-40427-29	71-40427-29	71-40427-29	71-40427-25	71-40427-25	71-40427-25
76		Belt - Size 036	71-40235-43	71-40235-43	71-40235-43	71-40235-43	71-40235-43	71-40235-43
76		Belt - Size 048	71-40235-42	71-40235-42	71-40235-42	71-40235-42	71-40235-42	71-40235-42

No.	Notes	MODEL TECHNICAL VARIATION COOLING CAPACITY ELECTRICAL DESIGNATION DRIVE PACKAGE	RKPN-	RKPN-	RKPN-	RKPN-	RKPN-	RKPN-
			C 060 C L	C 060 D L	C 060 Y L	C 060 C M	C 060 D M	C 060 Y M
<b>BLOWER GROUP - BELT DRIVE</b>								
62	Stk	Blower Assembly (Includes items 63-66 & 68-73, Excluding items 67 & 72b)	AS-101336-08	AS-101336-08	AS-101336-08	AS-101336-08	AS-101336-08	AS-101336-08
63		Housing	AS-101342-01	AS-101342-01	AS-101342-01	AS-101342-01	AS-101342-01	AS-101342-01
64		Bearing Frame Tri-Arm (2)	<a href="#">70-41723-02</a>	<a href="#">70-41723-02</a>	<a href="#">70-41723-02</a>	<a href="#">70-41723-02</a>	<a href="#">70-41723-02</a>	<a href="#">70-41723-02</a>
65	Stk	Ball Bearing And Cushion (2)	<a href="#">70-41911-01</a>	<a href="#">70-41911-01</a>	<a href="#">70-41911-01</a>	<a href="#">70-41911-01</a>	<a href="#">70-41911-01</a>	<a href="#">70-41911-01</a>
66	Stk	Blower Shaft	<a href="#">70-21933-02</a>	<a href="#">70-21933-02</a>	<a href="#">70-21933-02</a>	<a href="#">70-21933-02</a>	<a href="#">70-21933-02</a>	<a href="#">70-21933-02</a>
67	Stk	Fixed Pitch Sheave	71-100772-04	71-100772-04	71-100772-04	71-100772-04	71-100772-04	71-100772-04
68		Blower Support - Left	AE-58950-02	AE-58950-02	AE-58950-02	AE-58950-02	AE-58950-02	AE-58950-02
69	Stk	Blower Wheel	<a href="#">70-21773-01</a>	<a href="#">70-21773-01</a>	<a href="#">70-21773-01</a>	<a href="#">70-21773-01</a>	<a href="#">70-21773-01</a>	<a href="#">70-21773-01</a>
70		Cut-Off Tabulation	AE-64401-18	AE-64401-18	AE-64401-18	AE-64401-18	AE-64401-18	AE-64401-18

No.	Notes	MODEL TECHNICAL VARIATION COOLING CAPACITY ELECTRICAL DESIGNATION DRIVE PACKAGE	RKPN-	RKPN-	RKPN-	RKPN-	RKPN-	RKPN-
			C 060 C L	C 060 D L	C 060 Y L	C 060 C M	C 060 D M	C 060 Y M
<b>BLOWER MOTOR MOUNTING - BELT DRIVE</b>								
MOTOR MOUNTING:								
71		Blower Bracket	AE-101124-05	AE-101124-05	AE-101124-05	AE-101124-05	AE-101124-05	AE-101124-05
72		Blower Bracket - Drive Side	AE-101124-03	AE-101124-03	AE-101124-03	AE-101124-03	AE-101124-03	AE-101124-03
72a		Grommet	56-18518-04	56-18518-04	56-18518-04	56-18518-04	56-18518-04	56-18518-04
72b		Cross Brace	AE-101467-01	AE-101467-01	AE-101467-01	AE-101467-01	AE-101467-01	AE-101467-01
73		Motor Mount Assembly	AS-101340-01	AS-101340-01	AS-101340-01	AS-101340-01	AS-101340-01	AS-101340-01

No.	Notes	MODEL TECHNICAL VARIATION COOLING CAPACITY ELECTRICAL DESIGNATION DRIVE PACKAGE	RKPN-	RKPN-	RKPN-	RKPN-	RKPN-	RKPN-
			C 060 C L	C 060 D L	C 060 Y L	C 060 C M	C 060 D M	C 060 Y M
<b>BLOWER MOTOR GROUP - BELT DRIVE</b>								
74		Blower Motor	<a href="#">51-21909-01</a>	<a href="#">51-21909-01</a>	51-22241-02	<a href="#">51-41936-01</a>	<a href="#">51-41936-01</a>	51-22241-01
75		Variable Pitch Sheave	71-40427-29	71-40427-29	71-40427-29	71-40427-43	71-40427-43	71-40427-43
76		Belt	71-40235-43	71-40235-43	71-40235-42	71-40235-44	71-40235-44	71-40235-44

No.	Notes	MODEL TECHNICAL VARIATION COOLING CAPACITY	RKPN- C 036	RKPN- C 048	RKPN- C 060
<b>COIL GROUP</b>					
6		Filter Keeper	AE-59168-01	AE-59168-01	AE-59168-01
<b>EVAPORATOR COIL:</b>					
77a	Stk	Evaporator Coil (Coil and Frame Assembly)	AS-104531-02	AS-104531-01	AS-104531-01
77b	Stk	Reheat Coil (option 555)	65-101478-12	65-101478-12	65-101478-12
77c	Stk	TXV - Sporlan	61-102211-34	<a href="#">61-102211-33</a>	<a href="#">61-102211-32</a>
77d		TXV Bulb Strap Kit	64-101357-01	64-101357-01	64-101357-01
77e	Stk	Filter Drier	83-22755-04	83-22755-04	83-22755-04
77f		Distributor - (Two way - 3/8 in. to 3/8 in.) (option 555)	83-17467-02	83-17467-02	83-17467-02
77g		Servo Valve - Liquid Line (LLSV) (2) (option 555)	61-103961-05	61-103961-05	61-103961-05
77h		Solenoid Coil (LLSV) (2) (option 555)	61-103961-09	61-103961-09	61-103961-09
80		Top Air Stop	AE-58933-01HT	AE-58933-01HT	AE-58933-01HT
81		Top Coil Support	AE-58941-01	AE-58941-01	AE-58941-01
82		Filter Channels (3) Center Is Two Channels Back To Back	AE-58934-01	AE-58934-01	AE-58934-01
83		Indoor Coil Drain Pan	<a href="#">68-23559-01</a>	<a href="#">68-23559-01</a>	<a href="#">68-23559-01</a>
85		Filter - Disposable (2)	54-17531-10	54-17531-10	54-17531-10
<b>CONDENSER COIL:</b>					
84a	Stk	Condenser Coil	AS-104518-02	AS-104518-01	AS-104518-01
84b		Pad - Bottom Coil	68-104248-03 (4)	68-104248-03 (5)	68-104248-03 (5)
84c		Pad - Top Coil Seal	68-20243-01	68-20243-01	68-20243-01
84d		Coil Filler Plate (2)	AE-104545-03H T	AE-104545-03H T	AE-104545-03H T
84e		Stripping	68-42246-06	68-42246-06	68-42246-06
84f		Servo Valve - Hot Gas (HGSV) (option 555)	61-103961-01	61-103961-01	61-103961-01
84g		Solenoid Coil (HGSV) (option 555)	61-103961-07	61-103961-07	61-103961-07
84h		Check Valve (option 555)	83-102440-05	83-102440-05	83-102440-05
84i		Temperature Sensor/Clip Assembly (Liquid Line) (option 555)	47-102710-09	47-102710-09	47-102710-09
84j		Low Ambient Control (option AR)	<a href="#">47-21465-07</a>	<a href="#">47-21465-07</a>	<a href="#">47-21465-07</a>
84k		Bulkhead Valve Assembly	61-101821-04	61-101821-04	61-101821-04
84l		Bulkhead Valve Assembly	61-101821-05	61-101821-05	61-101821-05

No.	Notes	MODEL TECHNICAL VARIATION COOLING CAPACITY ELECTRICAL DESIGNATION	RKPN- C 036 C	RKPN- C 048 C	RKPN- C 060 C
<b>COMPRESSOR GROUP</b>					
		<b>Compressor ID:</b>	<b>8723</b>	<b>8726</b>	<b>8729</b>
86	Stk	Compressor	55-102045-90S	55-102045-08S	55-102045-27S
40	Stk	Contactora	42-102664-08	42-102664-08	42-102664-08
50		Low Pressure Control	See Electrical Group		
51		High Pressure Control	See Electrical Group		
	Stk	Compressor Wiring Harness - Molded Plug	45-100834-10	45-100834-10	45-100834-10
		<b>Compressor ID: (option 555)</b>	<b>9223</b>	<b>9227</b>	<b>9231</b>
86	Stk	Compressor	55-102045-90S	55-102045-08S	55-102045-27S
40	Stk	Contactora	42-102664-08	42-102664-08	42-102664-08
50		Low Pressure Control	See Electrical Group		
51		High Pressure Control	See Electrical Group		
	Stk	Compressor Wiring Harness - Molded Plug	45-100834-10	45-100834-10	45-100834-10

No.	Notes	MODEL TECHNICAL VARIATION COOLING CAPACITY ELECTRICAL DESIGNATION	RKPN- C 036 D	RKPN- C 048 D	RKPN- C 060 D
<b>COMPRESSOR GROUP</b>					
		<b>Compressor ID:</b>	<b>8724</b>	<b>8727</b>	<b>8730</b>
86	Stk	Compressor	55-102045-91S	55-102045-07S	55-102045-28S
40	Stk	Contactora	42-102664-08	42-102664-08	42-102664-08
50		Low Pressure Control	See Electrical Group		
51		High Pressure Control	See Electrical Group		
	Stk	Compressor Wiring Harness - Molded Plug	45-100834-10	45-100834-10	45-100834-10
		<b>Compressor ID: (option 555)</b>	<b>9225</b>	<b>9229</b>	<b>9233</b>
86	Stk	Compressor	55-102045-91S	55-102045-07S	55-102045-28S
40	Stk	Contactora	42-102664-08	42-102664-08	42-102664-08
50		Low Pressure Control	See Electrical Group		
51		High Pressure Control	See Electrical Group		
	Stk	Compressor Wiring Harness - Molded Plug	45-100834-10	45-100834-10	45-100834-10

No.	Notes	MODEL TECHNICAL VARIATION COOLING CAPACITY ELECTRICAL DESIGNATION	RKPN- C 036 Y	RKPN- C 048 Y	RKPN- C 060 Y
<b>COMPRESSOR GROUP</b>					
		<b>Compressor ID:</b>	<b>8725</b>	<b>8728</b>	<b>8731</b>
86	Stk	Compressor	55-102045-92S	55-102045-42S	55-102045-41S
40	Stk	Contactora	42-102664-08	42-102664-08	42-102664-08
50		Low Pressure Control	See Electrical Group		
51		High Pressure Control	See Electrical Group		
	Stk	Compressor Wiring Harness - Molded Plug	45-100834-10	45-100834-10	45-100834-10

No.	Notes	MODEL TECHNICAL VARIATION HEATING CAPACITY	RKPN- C 08	RKPN- C 10	RKPN- C 12	RKPN- C 13
<b>HEAT EXCHANGER, BURNER/MANIFOLD</b>						
45	Stk	Main Limit - (Condenser Bulkhead) E - Electric (Before F4914)	<a href="#">47-23610-19</a>	<a href="#">47-23610-21</a>	47-23610-27	<a href="#">47-23610-19</a>
45	Stk	Main Limit - (Condenser Bulkhead) E - Electric (On or After F4914)	<a href="#">47-23610-19</a>	<a href="#">47-23610-19</a>	<a href="#">47-23610-19</a>	<a href="#">47-23610-19</a>
46		Main Limit Shield	AS-59152-01	AS-59152-01	AS-59152-01	AS-59152-01
87	Stk	Heat Exchanger - Includes Center Panel	AS-59066-01	AS-59066-05	AS-59066-04	AS-59066-04
88		Turbulators	<a href="#">AE-58922-01</a> (4)	<a href="#">AE-58922-01</a> (5)	<a href="#">AE-58922-01</a> (6)	<a href="#">AE-58922-01</a> (6)
89		NOX Inserts	N/A	N/A	N/A	N/A
90		Divider Plate Gasket	<a href="#">68-23680-02</a>	<a href="#">68-23680-02</a>	<a href="#">68-23680-02</a>	<a href="#">68-23680-02</a>
91		Divider Plate	<a href="#">AE-59067-01</a>	<a href="#">AE-59067-01</a>	<a href="#">AE-59067-01</a>	<a href="#">AE-59067-01</a>
92		Collector Box Gasket	<a href="#">68-23680-01</a>	<a href="#">68-23680-01</a>	<a href="#">68-23680-01</a>	<a href="#">68-23680-01</a>
93		Collector Box Cover - Before F4914	AE-59068-01	<a href="#">AE-59068-02</a>	AE-59068-06	<a href="#">AE-59068-03</a>
93		Collector Box Cover - On or After F4914	AE-104879-01	AE-104879-02	AE-104879-03	AE-104879-04
94		Flue Duct - Before F4914	<a href="#">75-23678-01</a>	<a href="#">75-23678-01</a>	<a href="#">75-23678-01</a>	<a href="#">75-23678-01</a>
94		Flue Duct - On or After F4914	75-104824-01	75-104824-01	75-104824-01	75-104824-01
95		Flue Duct Gasket - Rectangular (Before F4914)	68-23680-03	68-23680-03	68-23680-03	68-23680-03
95		Flue Duct Gasket - Round (On or After F4914)	68-23680-05	68-23680-05	68-23680-05	68-23680-05
96		Burner Shield - Before F4914	AE-58886-01	AE-58886-01	AE-58886-01	AE-58886-01
96		Burner Shield - On or After F4914	AE-58886-02	AE-58886-02	AE-58886-02	AE-58886-02
97	Stk	Limit (Manual Reset)	<a href="#">47-22861-02</a> (1)	<a href="#">47-22861-02</a> (2)	<a href="#">47-22861-02</a> (2)	<a href="#">47-22861-02</a> (2)
98		Burner Compartment Floor	AE-58932-02	AE-58932-02	AE-58932-02	AE-58932-02

No.	Notes	MODEL TECHNICAL VARIATION HEATING CAPACITY	RKPN- C 08	RKPN- C 10	RKPN- C 12	RKPN- C 13
<b>BURNER / MANIFOLD GROUP</b>						
99	Stk	Burner Assembly	<a href="#">AS-60993-04</a>	<a href="#">AS-60993-05</a>	<a href="#">AS-60993-06</a>	<a href="#">AS-60993-06</a>
99a		Bushing	45-42519-01	45-42519-01	45-42519-01	45-42519-01
100		Burner Support - (Holds the Burners between the Burner Support Brackets)	AE-102650-01	AE-102650-01	AE-102650-01	AE-102650-01
101		Burner Support Bracket (2)	AE-61588-02	AE-61588-02	AE-61588-02	AE-61588-02
102	Stk	Manifold Assembly (w/o Orifices)	81-101153-01	81-101153-01	81-101153-01	81-101153-01
103		Square Head Plug - (Used on Manifold to plug extra holes)	81-23593-01 (3)	81-23593-01 (2)	81-23593-01 (1)	81-23593-01 (1)
104		Burner Orifice - Natural Gas:	See Orifice Selection Chart			
104		Burner Orifice - LP:	See Orifice Selection Chart			
104		Number of Orifices	(4)	(5)	(6)	(6)
105	Stk	Flame Sensor	<a href="#">62-23543-02</a>	<a href="#">62-23543-02</a>	<a href="#">62-23543-02</a>	<a href="#">62-23543-02</a>
106	Stk	Ignition Electrode and Cable	62-23556-01	62-23556-01	62-23556-01	62-23556-01

No.	Notes	MODEL GAS CODE	RKPN- 2S	RKPN- 2R
<b>GAS CONTROLS</b>				
	Stk	Gas Valve - Natural Gas	60-105055-01	60-23490-01
	Stk	Gas Valve - LP	See Note 2	See Note 2
	Stk	Integrated Furnace Control Board (IFC)	62-102860-02	62-102860-02
		Street Elbow	81-17487-01	81-40271-04
		Nipple	81-40683-02	N/A
	Stk	LP Conversion Kit	EP-85H	EP-84W

No.	Notes	MODEL GAS CODE	RKPN- 2V	RKPN- 2Y
<b>GAS CONTROLS</b>				
	Stk	Gas Valve - Natural Gas	60-105055-01	60-106207-01
	Stk	Gas Valve - LP	See Note 2	See Note 2
	Stk	Integrated Furnace Control Board (IFC)	62-102860-02	62-102860-02
		Street Elbow	81-17487-01	81-17487-01
		Nipple	81-40683-03	81-40683-02
	Stk	LP Conversion Kit	EP-85H	EP-84W

No.	Notes	MODEL TECHNICAL VARIATION COOLING CAPACITY	RKPN- C 036-060
<b>OPTIONS AND ACCESSORIES</b>			
		DDC Economizer with Single Enthalpy and Barometric Relief	AXRD-TKCM3
		DDC Economizer with Single Enthalpy, Smoke Detector and Barometric Relief	AXRD-UKCM3
		Convenience Outlet	RXR-AN02
		Service Disconnect	RXR-AP02
		Dual Enthalpy Kit	RXR-AV03
		CO2 Sensor	RXR-AR02
		Power Exhaust - C Voltage	AXR-BGF04C
		Power Exhaust - D Voltage	AXR-BGF04D
		Power Exhaust - Y Voltage	AXR-BGF04Y
		Fresh Air Damper Manual	AXR-FBA1
		Fresh Air Damper Motorized	AXR-FBB1
		Louver Kit - (2 Sides) 3 Ton	AXR-AAD02B
		Louver Kit - (3 Sides) 4 & 5 Ton	AXR-AAD01B
		Comfort Alert	RXR-AZ01
		BACnet Communication Card	RXR-AY01
		Lonworks Communication Card	RXR-AY02
		Low Ambient Control	RXRZ-A04

**PACKAGE EQUIPMENT - ORIFICE SELECTION CHART - NATURAL GAS**

**CAUTION:** Selection of the correct Natural Gas Orifice requires the following information for the specific installation:

- 1) Furnace Input Rating (BTU/HR)
- 2) Number of Burners
- 2) Altitude (ft.)

For detailed information and instructions for Orifice selection, see the Gas Furnace LP Conversion Kit Index 92-21519-47 and the latest edition of the National Fuel Gas Code Handbook, or the National Standard of Canada, Natural Gas and Propane Installation Code, CAN B149.1.

**CAUTION:** This information is provided for replacement purposes only. Conversion for operation at High Altitude must be done using the kit specified on the product specification sheet for the unit.

NOTE: This Orifice sizing chart is based on a Natural Gas heating value of 1075 BTU/cu. ft and a pressure setting of 3.5 in. water column.

NOTE: Factory installed orifices are calculated and sized based on a Natural Gas heating value of 1075 BTU/cu. ft. and an elevation of 0 - 2000 ft.

Furnace Input Rating (BTU/HR)	Canadian High Altitude Derated Input (BTU/HR)	Number of Burners	Elevation (ft.)					
			Country					
			0 - 2000 U.S.	2001 - 4000 U.S.	4001 - 6000 U.S.	8000+ U.S.	0 - 2000 Canada	2001 - 4500 Canada
40,000	36,000	2	62-22175-45	62-22175-47	62-22175-48	62-22175-49	62-22175-45	62-22175-15
60,000	54,000	3	62-22175-45	62-22175-47	62-22175-48	62-22175-49	62-22175-45	62-22175-15
72,000	N/A	4	62-22175-15	62-22175-49	62-22175-50	62-22175-51	62-22175-15	N/A
80,000	72,000	4	62-22175-45	62-22175-47	62-22175-48	62-22175-49	62-22175-45	62-22175-15
90,000	N/A	5	62-22175-15	62-22175-49	62-22175-50	62-22175-51	62-22175-15	N/A
100,000	90,000	5	62-22175-45	62-22175-47	62-22175-48	62-22175-49	62-22175-45	62-22175-15
120,000	108,000	6	62-22175-45	62-22175-47	62-22175-48	62-22175-49	62-22175-45	62-22175-15
135,000	121,500	6	62-22175-44	62-22175-45	62-22175-47	62-22175-48	62-22175-44	62-22175-45
150,000	135,000	6	62-22175-42	62-22175-43	62-22175-44	62-22175-45	62-22175-42	62-22175-44
180,000	N/A	9	62-22175-45	62-22175-47	62-22175-48	62-22175-49	62-22175-45	N/A
210,000	N/A	9	62-22175-43	62-22175-44	62-22175-45	62-22175-47	62-22175-43	N/A
210,000	N/A	10	62-22175-45	62-22175-47	62-22175-48	62-22175-49	62-22175-45	N/A
225,000	202,500	9	62-22175-42	62-22175-43	62-22175-44	62-22175-45	62-22175-42	62-22175-44
250,000	225,000	10	62-22175-42	62-22175-43	62-22175-44	62-22175-45	62-22175-42	62-22175-44
252,000	225,000	9	62-22175-40	62-22175-42	62-22175-43	62-22175-44	62-22175-40	62-22175-42
252,000	N/A	12	62-22175-45	62-22175-47	62-22175-48	62-22175-49	62-22175-45	N/A
290,000	N/A	14	62-22175-45	62-22175-47	62-22175-48	62-22175-49	62-22175-45	N/A
300,000	270,000	12	62-22175-42	62-22175-43	62-22175-44	62-22175-45	62-22175-42	62-22175-44
330,000	N/A	14	62-22175-43	62-22175-44	62-22175-45	62-22175-47	62-22175-43	N/A
350,000	315,000	14	62-22175-42	62-22175-43	62-22175-44	62-22175-45	62-22175-42	62-22175-44
400,000	360,000	14	62-22175-40	62-22175-42	62-22175-43	62-22175-44	62-22175-40	62-22175-42

**PACKAGE EQUIPMENT - ORIFICE SELECTION CHART - LP**

**CAUTION:** Selection of the correct LP Orifice requires the following information for the specific installation:

- 1) Furnace Input Rating (BTU/HR)
- 2) Number of Burners
- 2) Altitude (ft.)

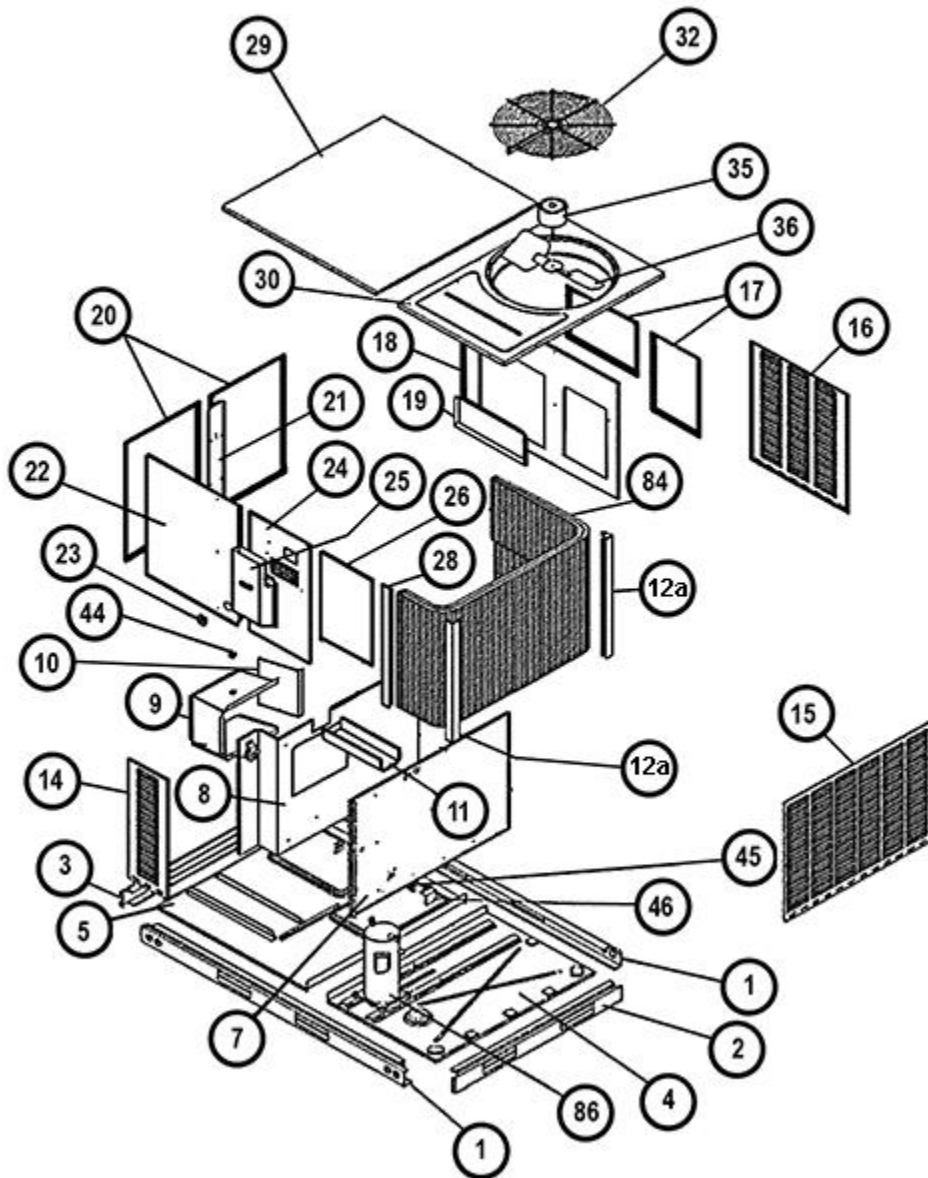
For detailed information and instructions for Orifice selection, see the Gas Furnace LP Conversion Kit Index 92-21519-47 and the latest edition of the National Fuel Gas Code Handbook, or the National Standard of Canada, Natural Gas and Propane Installation Code, CAN B149.1.

**CAUTION:** This information is provided for replacement purposes only. Conversion to LP or for operation at High Altitude should be done using the kit(s) specified on the product specification sheet for the unit.

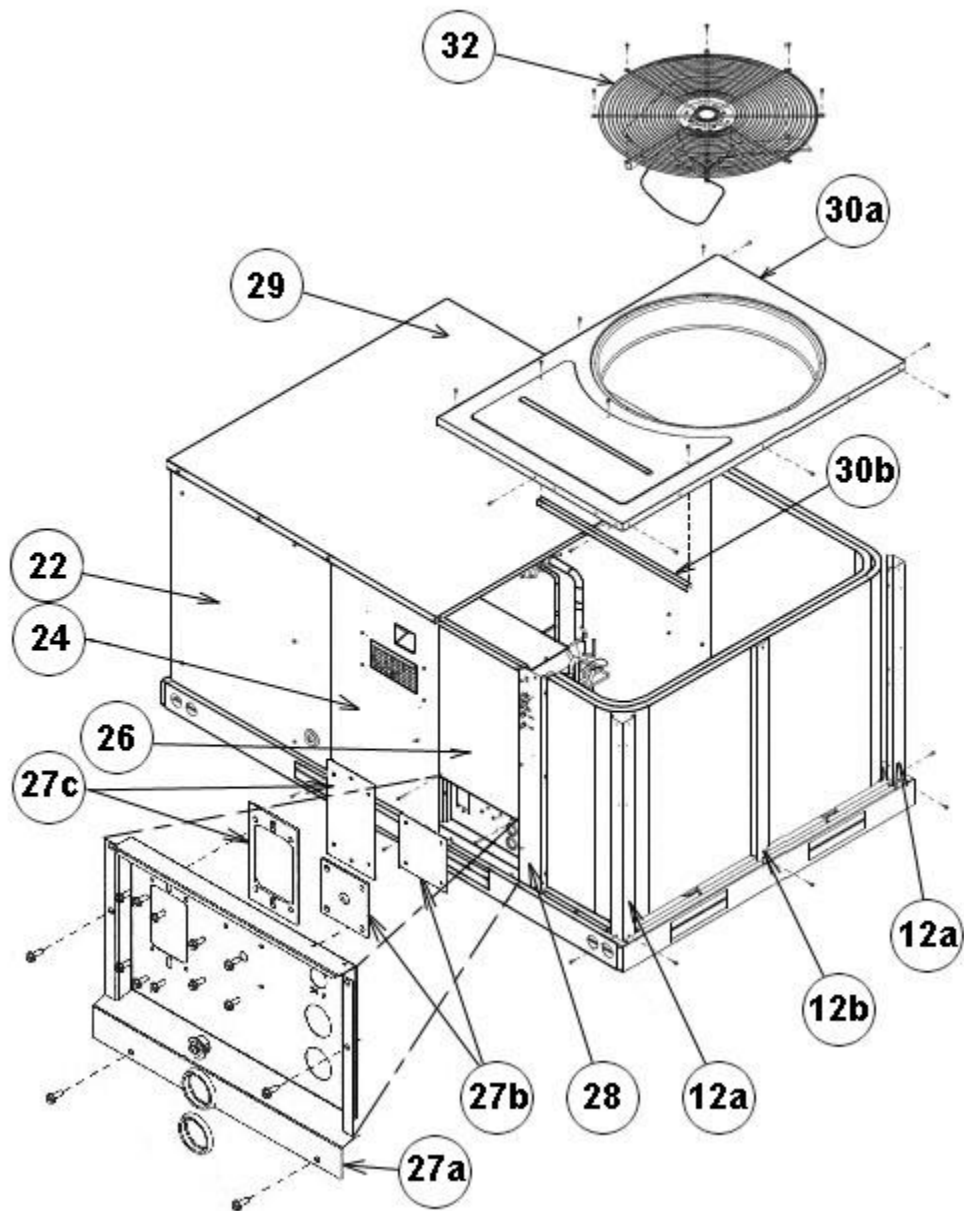
NOTE: This Orifice sizing chart is developed using the specified pressure setting of 10 in. water column instead of the 11.0 in water column used by the NFG and CANB149.1.

NOTE: Orifices supplied in the LP Conversion Kit are calculated and sized based on a heating value of 2500 BTU/cu. ft. and an elevation of 0 - 2000 ft.

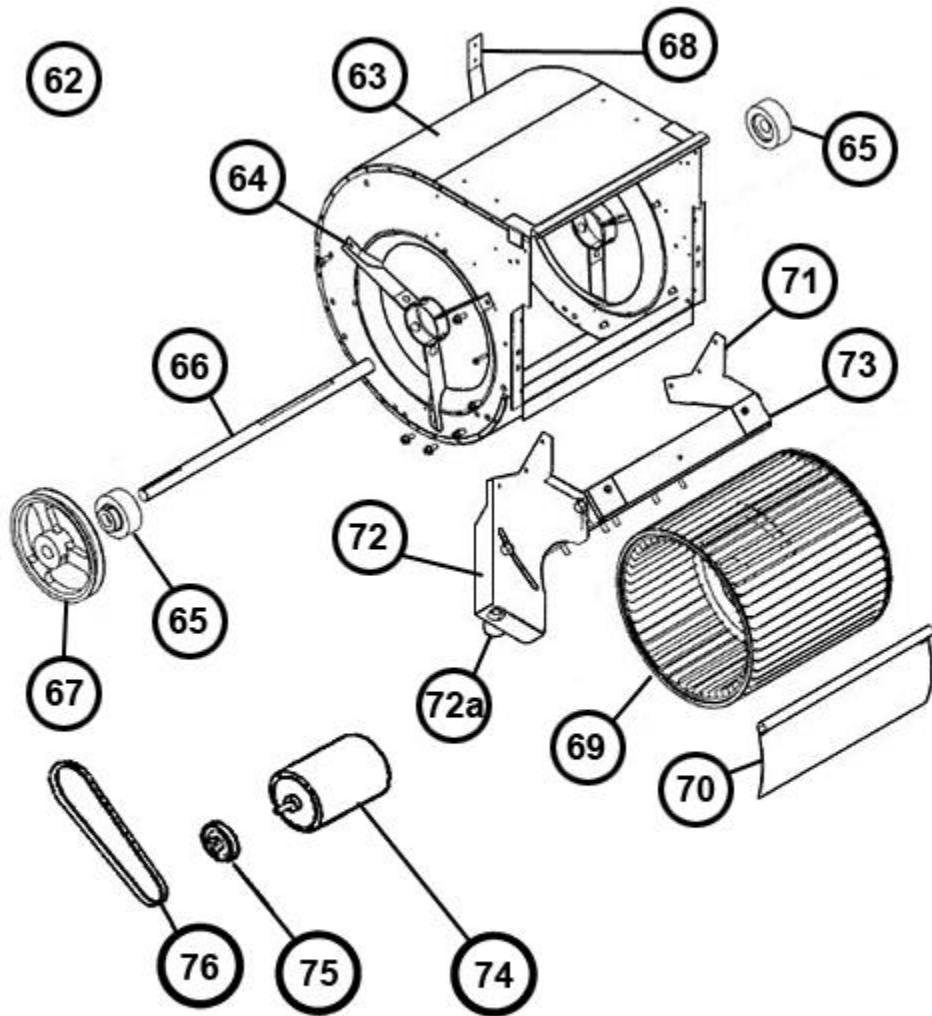
Furnace Input Rating (BTU/HR)	Canadian High Altitude Derated Input (BTU/HR)	Number of Burners	Elevation (ft.)					
			Country					
			0 - 2000 U.S.	2001 - 4000 U.S.	4001 - 6000 U.S.	8000+ U.S.	0 - 2000 Canada	2001 - 4500 Canada
40,000	36,000	2	62-22175-55	62-22175-55	62-22175-56	62-22175-56	62-22175-55	62-22175-13
60,000	54,000	3	62-22175-55	62-22175-55	62-22175-56	62-22175-56	62-22175-55	62-22175-13
72,000	N/A	4	62-22175-13	62-22175-57	62-22175-57	62-22175-59	62-22175-13	N/A
80,000	72,000	4	62-22175-55	62-22175-55	62-22175-56	62-22175-56	62-22175-55	62-22175-13
90,000	N/A	5	62-22175-13	62-22175-57	62-22175-57	62-22175-59	62-22175-13	N/A
100,000	90,000	5	62-22175-55	62-22175-55	62-22175-56	62-22175-56	62-22175-55	62-22175-13
120,000	108,000	6	62-22175-55	62-22175-55	62-22175-56	62-22175-56	62-22175-55	62-22175-13
135,000	121,500	6	62-22175-54	62-22175-55	62-22175-55	62-22175-56	62-22175-54	62-22175-55
150,000	135,000	6	62-22175-54	62-22175-55	62-22175-55	62-22175-56	62-22175-54	62-22175-54
180,000	N/A	9	62-22175-55	62-22175-55	62-22175-56	62-22175-56	62-22175-55	N/A
210,000	N/A	9	62-22175-54	62-22175-55	62-22175-55	62-22175-56	62-22175-54	N/A
210,000	N/A	10	62-22175-55	62-22175-55	62-22175-56	62-22175-56	62-22175-55	N/A
225,000	202,500	9	62-22175-54	62-22175-55	62-22175-55	62-22175-56	62-22175-54	62-22175-54
250,000	225,000	10	62-22175-54	62-22175-55	62-22175-55	62-22175-56	62-22175-54	62-22175-54
252,000	225,000	9	62-22175-53	62-22175-54	62-22175-54	62-22175-55	62-22175-53	62-22175-54
252,000	N/A	12	62-22175-55	62-22175-55	62-22175-56	62-22175-56	62-22175-55	N/A
290,000	N/A	14	62-22175-55	62-22175-55	62-22175-56	62-22175-56	62-22175-55	N/A
300,000	270,000	12	62-22175-54	62-22175-55	62-22175-55	62-22175-56	62-22175-54	62-22175-54
330,000	N/A	14	62-22175-54	62-22175-55	62-22175-55	62-22175-56	62-22175-54	N/A
350,000	315,000	14	62-22175-54	62-22175-55	62-22175-55	62-22175-56	62-22175-54	62-22175-54
400,000	360,000	14	62-22175-53	62-22175-54	62-22175-54	62-22175-55	62-22175-53	62-22175-54



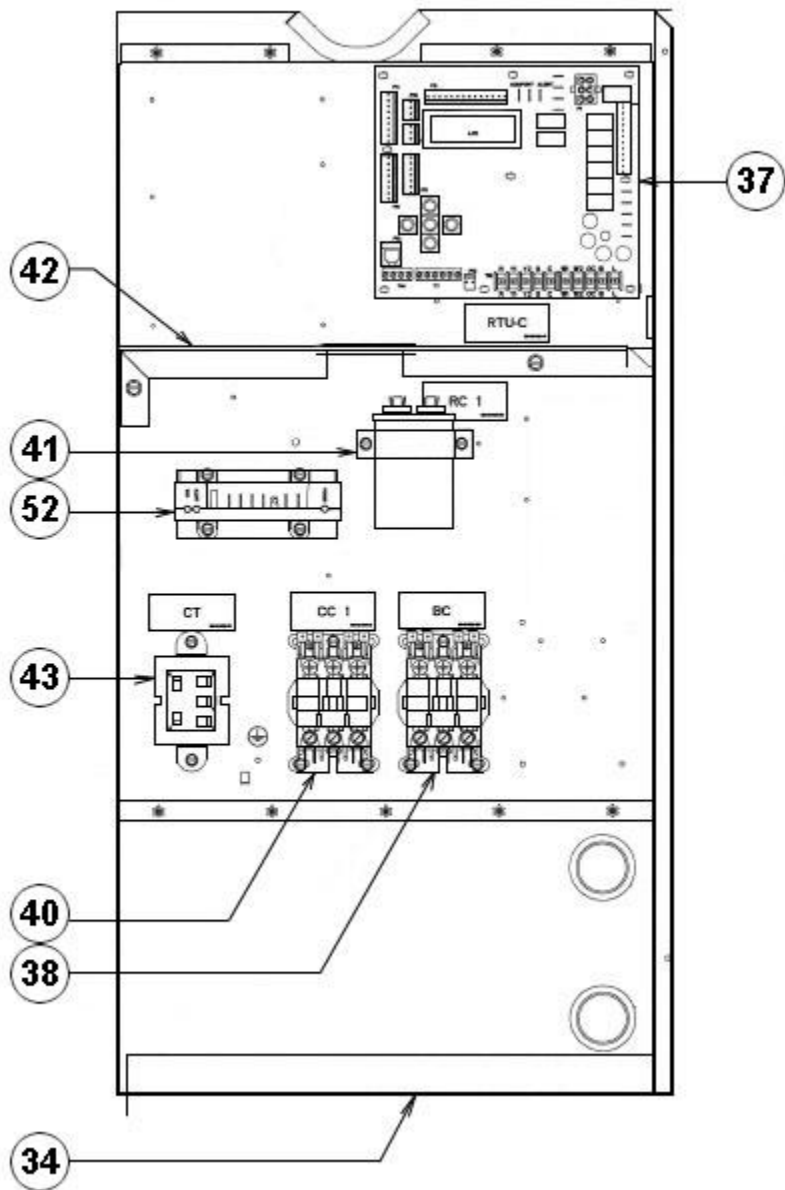
Exploded View 036-060



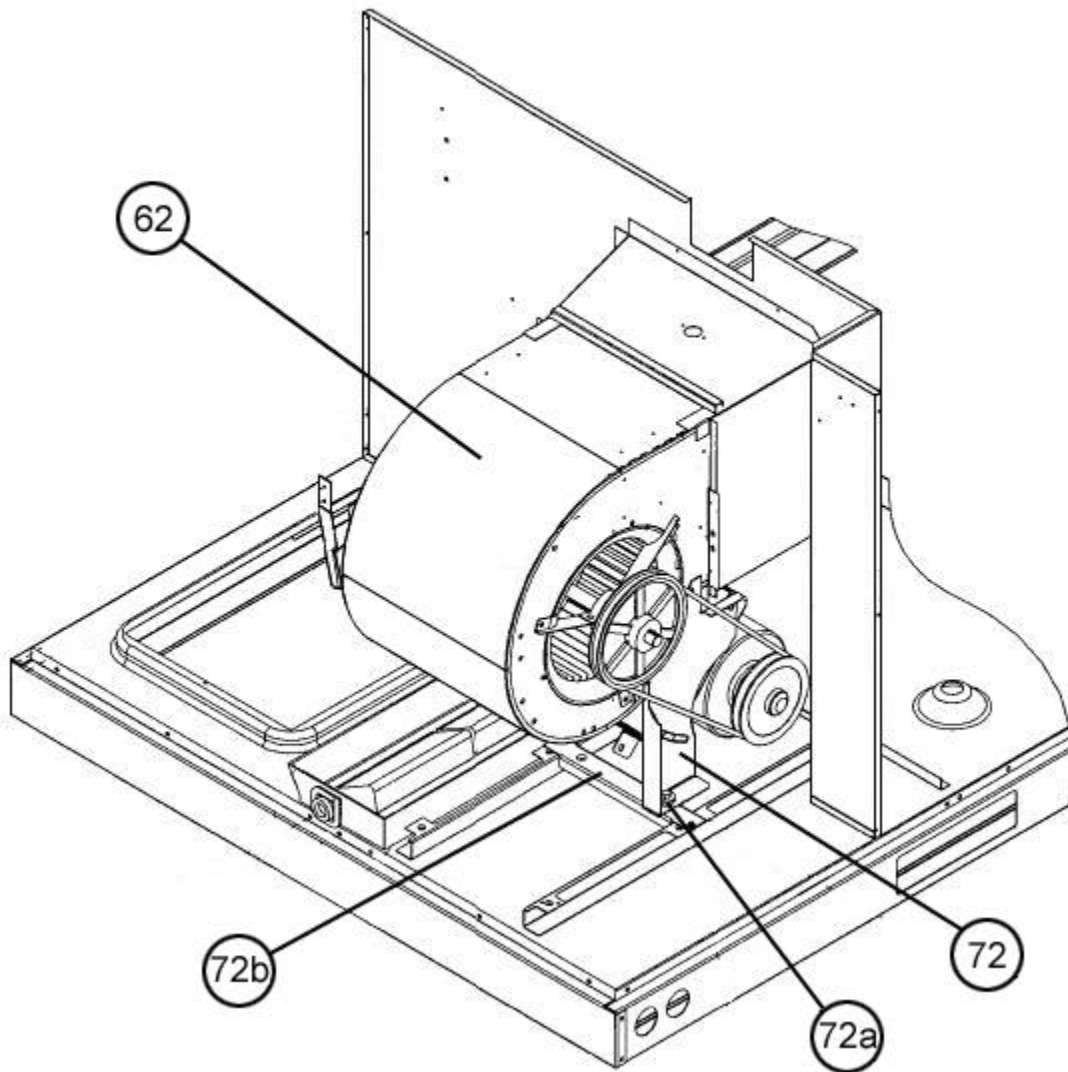
Top Panel View 036-060



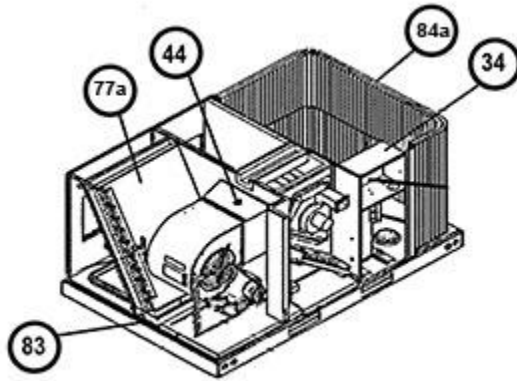
Blower Assembly - Belt Drive 036-060



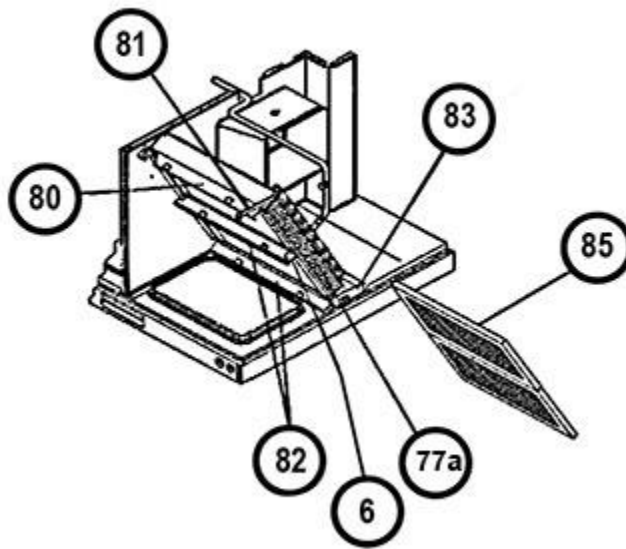
Control Box 036-060



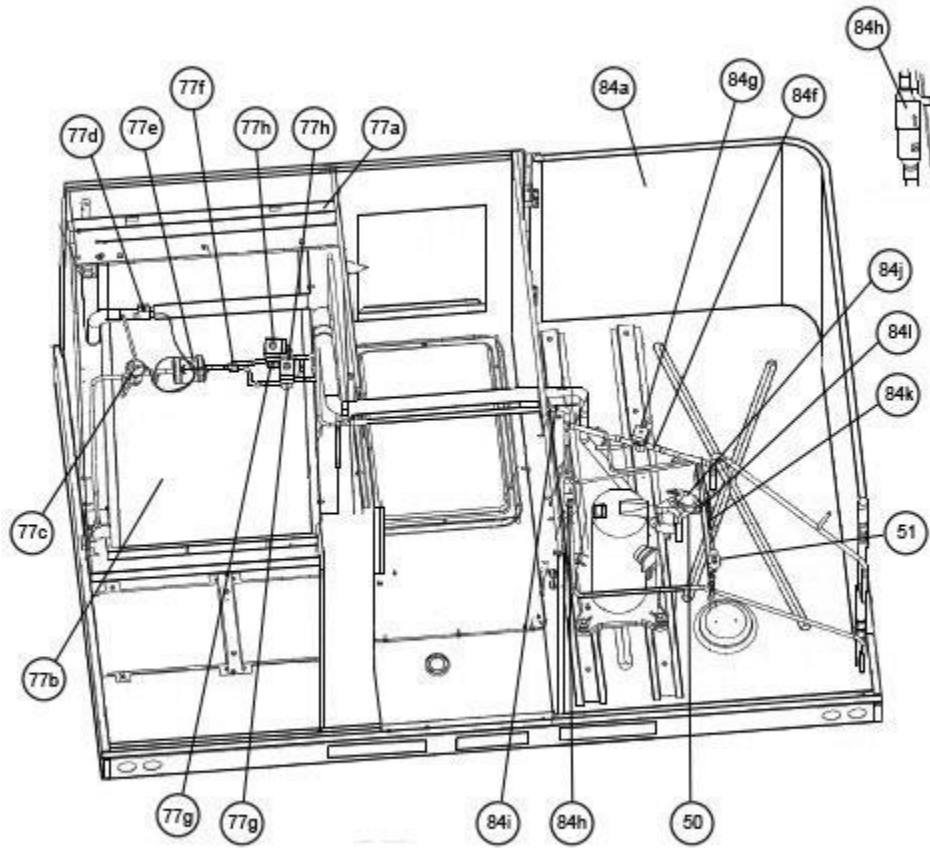
Blower Motor Mount Assembly - Belt Drive 030-060



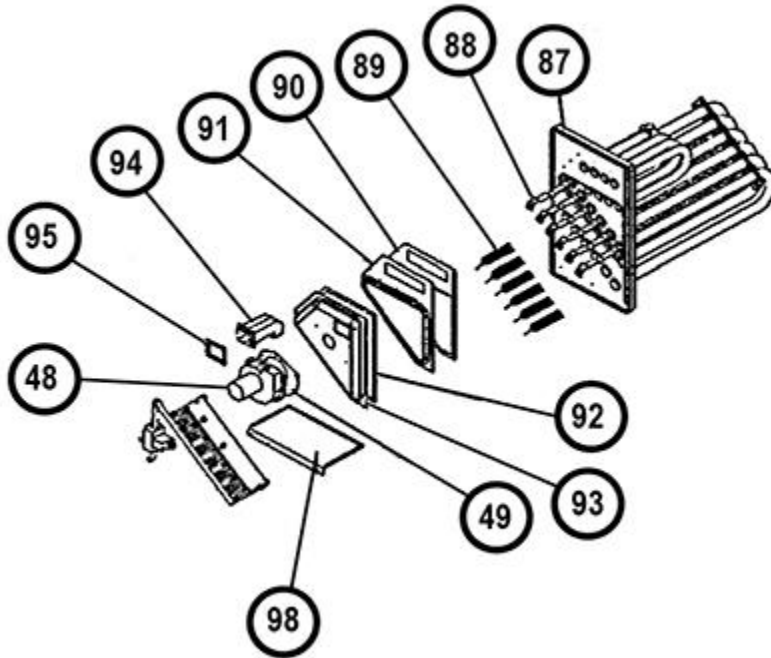
Coil Group Cut-away View 036-060



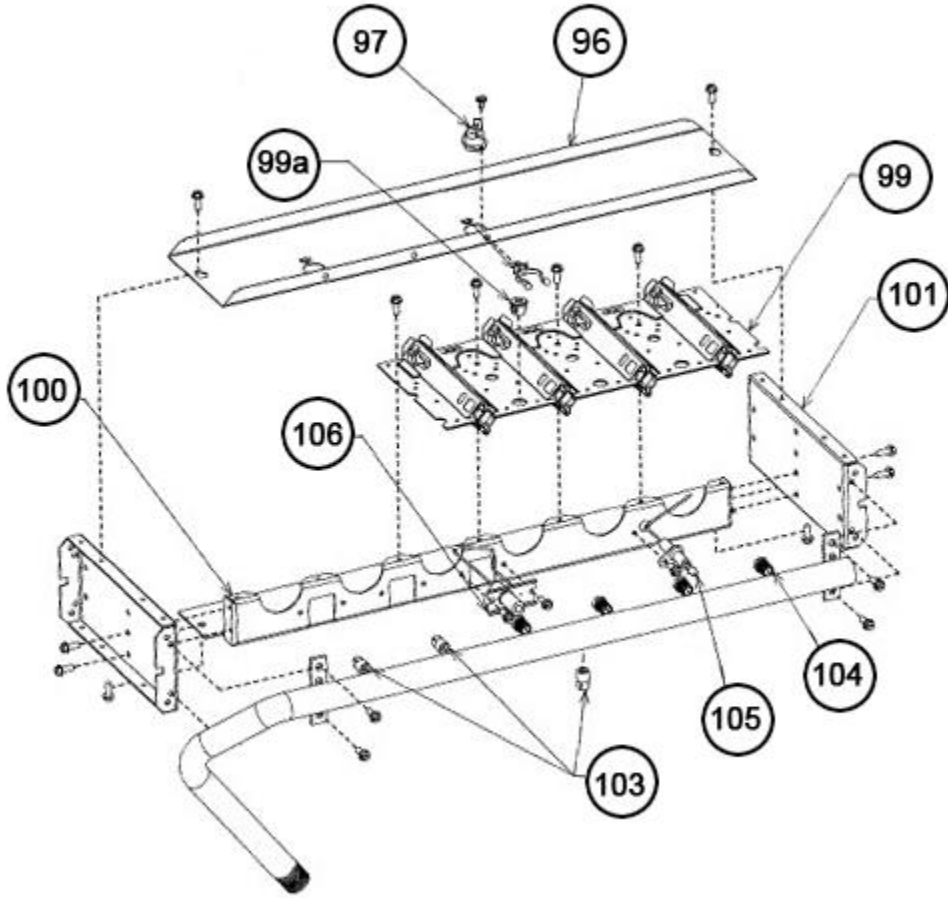
Evaporator Coil - Filter Parts 036-060



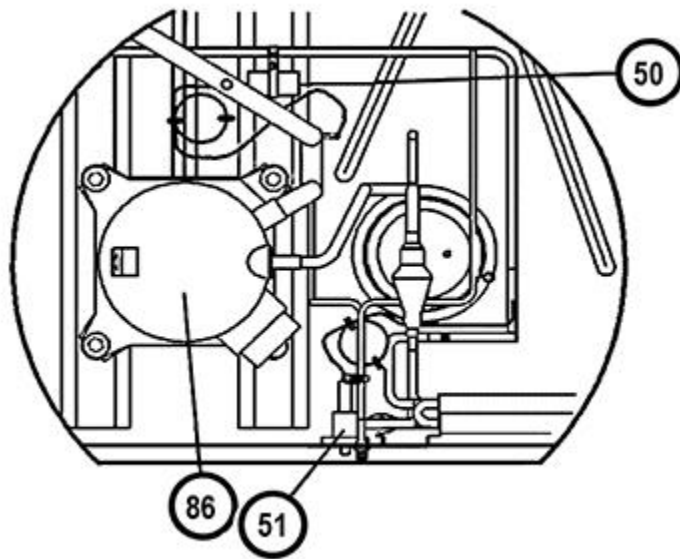
Coil Group (including option 555) 036-060



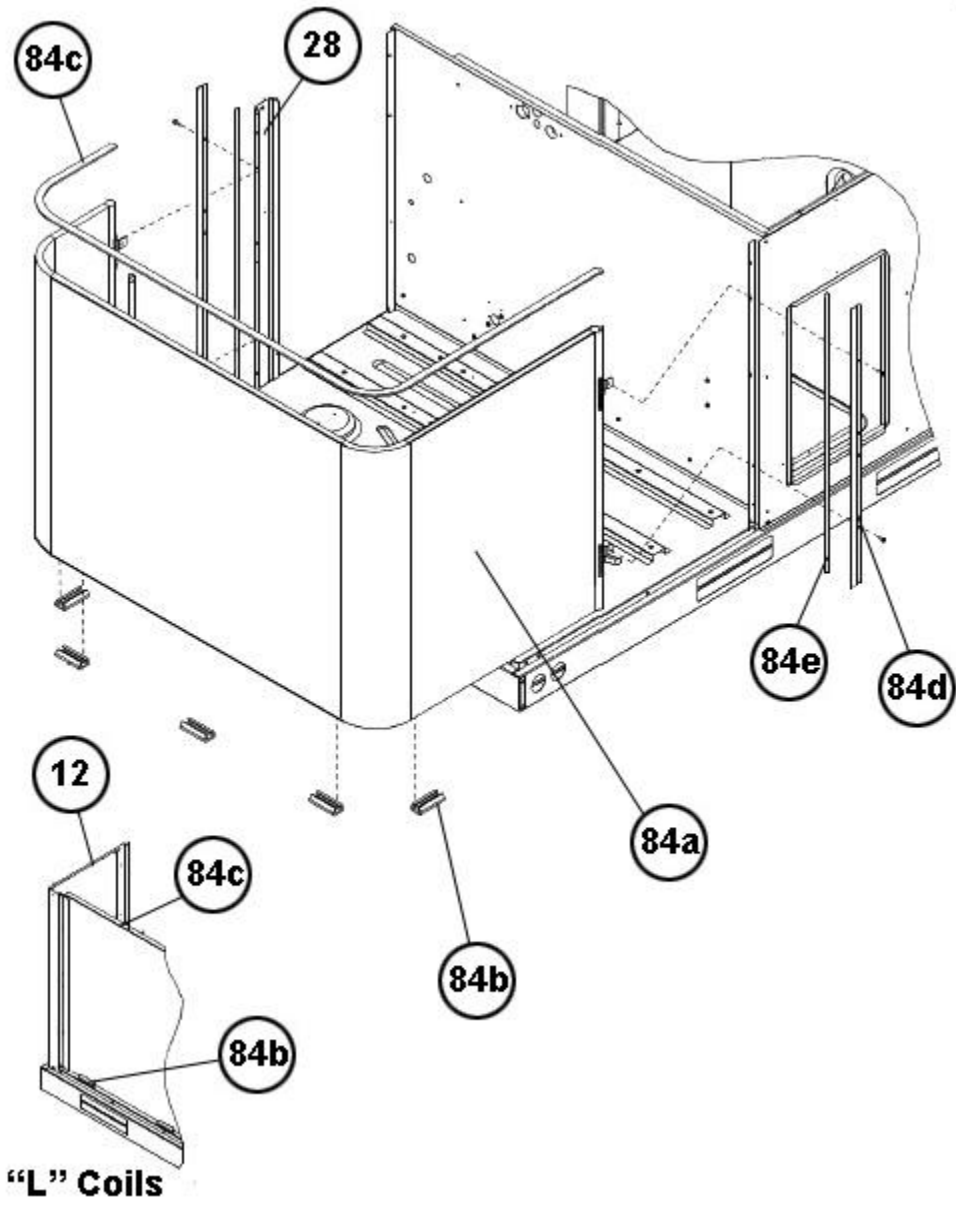
Heat Exchanger Assembly 036-060



One Piece Burner Assembly 036-060



Compressor - Refrigeration Group 036-060



Condenser Coil Pads 036-060

# NOTES

Stk It is recommended that stock be maintained for this part.

N/A Not Applicable

- 1 Order the specified LP Conversion Kit.
- 2 Order Gas Valve for Natural Gas along with LP Conversion Kit.
- 3 Temperature Sensors are integral with the Wiring Harness and are not individually replacable.

**DISCLAIMER:** This document is intended to provide general replacement parts information to aid qualified service personnel in the repair of these models. The complete Model and Serial Number of the unit under repair should be specified when selecting and ordering replacement parts. Specifications and illustrations are subject to change without notice. Document 92-42800-RKPN-C supersedes all previous parts lists for these models. See <http://www.rheempartslists.net/92-42800-RKPN-C> for the latest revision of this document. The manufacturer assumes no obligation for errors or omissions. Service personnel must verify the proper and safe operation of equipment after the replacement of any original components.