



# RJPL-C

Parts List  
13-May-2020



*This parts list is current as of the above revision date.  
See <http://www.rheempartslists.net/92-42800-RJPL-C.pdf> for the current revision.*

**Package Heat Pumps - Commercial**

# Table of Contents

Model Explanation .....	Page 3
<b>Parts Numbers</b>	
Panels - Miscellaneous (Granite-Steel Gray) 036-060 .....	Page 4
Panels - Miscellaneous (Neutra Green) 036-060 .....	Page 5
Panels-036-060 (Hinged Doors) .....	Page 6
Electrical Group 036-060 .....	Page 7
Fan Group 036-060 .....	Page 8
Blower Group 036-048 .....	Page 9
Blower Group 060 .....	Page 10
Coil Parts .....	Page 11
Compressor Group .....	Page 12
Heater Kits .....	Page 13
Accessories .....	Page 14
<b>Drawings/Photographs</b>	
Exploded View 036-060 .....	Page 15
Top Panel View 036-060 .....	Page 16
Top Panel View (Hinged Panels) .....	Page 17
End Panel View (Hinged Panels) .....	Page 18
Control Box 036-060 .....	Page 19
Blower Parts - Belt Drive 036-060 .....	Page 20
Blower Mounting - Belt Drive 036-060 .....	Page 21
Coil Group Cut-away View 036-060 .....	Page 22
Evaporator Coil - Filter Parts 036-060 .....	Page 22
Compressor - Refrigerator Group 036-060 .....	Page 23
Notes/Disclaimer .....	Page 24

**MODEL NUMBER EXPLANATION**

<b>R</b>	<b>J</b>	<b>P</b>	<b>L</b>	<b>-</b>	<b>C</b>	<b>060</b>	<b>C</b>	<b>L</b>	<b>000</b>	<b>AA</b>	<b>B</b>
1	2	3	4		5	6	7	8	9	10	11

- |  |  |
|--|--|
| <p>1     <b>TRADE NAME</b></p> <p>2     <b>J = PACKAGE HEAT PUMP</b><br/>          Commercial</p> <p>3     <b>EFFICIENCY DESIGNATION</b></p> <p>4     <b>DESIGN SERIES</b><br/>          L = R-410A</p> <p>5     <b>TECHNICAL VARIATION</b></p> <p>6     <b>COOLING CAPACITY (BTU/HR)</b><br/>          036 = 36,000<br/>          042 = 42,000<br/>          048 = 48,000<br/>          060 = 60,000</p> <p>7     <b>ELECTRICAL DESIGNATION</b><br/>          C = 208-230/3/60<br/>          D = 460/3/60</p> | <p>8     <b>DRIVE PACKAGE</b><br/>          L = Belt Drive<br/>          M = Belt Drive - High Static</p> <p>9     <b>ELECTRIC HEAT- (Resistance Heat)</b><br/>          000 = No Resistance Heat<br/>          006 = 6 kW Resistance Heat<br/>          010 = 10 kW Resistance Heat<br/>          012 = 12 kW Resistance Heat<br/>          015 = 15 kW Resistance Heat<br/>          020 = 20 kW Resistance Heat</p> <p>10    <b>OPTION CODES - FACTORY INSTALLED</b></p> <p>11    <b>ECONOMIZER OPTIONS</b></p> |
|--|--|

**SERIAL NUMBER EXPLANATION**

<b>1234</b>	<b>F</b>	<b>50</b>	<b>08</b>	<b>00001</b>
1	2	3	4	5

- |   |   |
|---|---|
| 1 | <b>COMPRESSOR IDENTIFICATION NUMBER</b> |
| 2 | <b>PRODUCTION LOCATION:</b>             |
| 3 | <b>WEEK OF PRODUCTION</b>               |
| 4 | <b>YEAR OF PRODUCTION</b>               |
| 5 | <b>PRODUCTION NUMBER</b>                |

No.	Notes	MODEL TECHNICAL VARIATION COOLING CAPACITY	RJPL- C 036-060
<b>PANELS, MISCELLANEOUS PARTS (Granite Steel Gray - After F4411)</b>			
1		Base Rail - Side (2)	AE-58900-01
2		Base Rail - Condenser End	AE-58901-01
3		Base Rail - Evaporator End	AE-58902-01
4		Outdoor Coil Base Pan Assembly	AS-59051-01H
5		Indoor Coil Base Pan	AS-58910-05
6		Condenser Bulkhead Assembly	AS-103276-02
8		Blower Bulkhead (Does not include Blower Extensions, Cover Plate, Insulation Retainer)	AS-103385-01
9		Blower Extension - Front	AE-58928-01
10		Blower Extension - Back	AE-58928-02
		Cover Plate (On the Blower Extension - Front to cover the Limit Control opening)	AE-76216-01
		Insulation Retainer	AE-59059-01
12		Wire Chase Insulation Assembly	AS-103291-01
13a		Corner Post (2)	AS-58965-01H
13b		Center Post	AS-58966-01H
15		Louvered Panel	AS-59028-01H
16		Louvered Panel	AS-59028-03H
17		Louvered Panel	AS-59028-02H
18		Supply/Return Cover Panels (2)	AS-58992-01H
19		Rear Panel (Includes Insulation, Filler Panel, and Stripping)	AS-58976-01H
20		Return Air Filler	AE-58974-01
		Rear Panel Stripping - Cut Length	AE-58897-10
21		Blower/Filter Access Panels (2)	AS-58990-01H
22		Post - Left End Assembly	AS-58973-01H
23		Front Panel Insulation Assembly	AS-59132-01H
24		Electric Heat Access Panel	AS-58987-04H
		Electric Heat Mounting Panel Assembly	AS-59122-01
25		Control Box Access Door	AS-103284-01H
26a		Control Box Insert Panel	AS-103283-01H
26b		Disconnect Plate	AS-90756-05H
26c		Receptacle Plate	AS-90756-02H
27		Front Post	AS-103288-01H
28		Indoor Coil Top Panel Assembly	AS-58979-01H
29a		Condenser Top Panel	AS-58981-01H
29b		Support - Condenser Top Panel	AE-58980-01
31		Wire Grille	<a href="#">95-101660-01</a>
33		Control Box (w/o components)	AS-103281-01
		Control Box Top	AE-103282-01
		Filter - Disposable	See Coil Group
		Button Plug w/Recessed-Type Head (7/8 inch hole)	45-22980-05
		Button Plug w/Recessed-Type Head (1-3/8 inch hole)	45-22980-09

No.	Notes	MODEL TECHNICAL VARIATION COOLING CAPACITY	RJPL- C 036-060
<b>PANELS, MISCELLANEOUS PARTS (Neutra Green - Before F4411)</b>			
1		Base Rail - Side (2)	AE-58900-01
2		Base Rail - Condenser End	AE-58901-01
3		Base Rail - Evaporator End	AE-58902-01
4		Outdoor Coil Base Pan Assembly	AS-59051-01A
5		Indoor Coil Base Pan	AS-58910-05
6		Condenser Bulkhead Assembly	AS-103276-02
8		Blower Bulkhead (Does not include Blower Extensions, Cover Plate, Insulation Retainer)	AS-103385-01
9		Blower Extension - Front	AE-58928-01
10		Blower Extension - Back	AE-58928-02
		Cover Plate (On the Blower Extension - Front to cover the Limit Control opening)	AE-76216-01
		Insulation Retainer	AE-59059-01
12		Wire Chase Insulation Assembly	AS-103291-01
13a		Corner Post (2)	AS-58965-01A
13b		Center Post	AS-58966-01A
15		Louvered Panel	AS-59028-01A
16		Louvered Panel	AS-59028-03A
17		Louvered Panel	AS-59028-02A
18		Supply/Return Cover Panels (2)	AS-58992-01A
19		Rear Panel (Includes Insulation, Filler Panel, and Stripping)	AS-58976-01A
20		Return Air Filler	AE-58974-01
		Rear Panel Stripping - Cut Length	AE-58897-10
21		Blower/Filter Access Panels (2)	AS-58990-01A
22		Post - Left End Assembly	AS-58973-01A
23		Front Panel Insulation Assembly	AS-59132-01A
24		Electric Heat Access Panel	AS-58987-04A
		Electric Heat Mounting Panel Assembly	AS-59122-01
25		Control Box Access Door	AS-103284-01A
26a		Control Box Insert Panel	AS-103283-01A
26b		Disconnect Plate	AS-90756-05A
26c		Receptacle Plate	AS-90756-02A
27		Front Post	AS-103288-01A
28		Indoor Coil Top Panel Assembly	AS-58979-01A
29a		Condenser Top Panel	AS-58981-01A
29b		Support - Condenser Top Panel	AE-58980-01
31		Wire Grille	<a href="#">95-101660-01</a>
33		Control Box (w/o components)	AS-103281-01
		Control Box Top	AE-103282-01
		Filter - Disposable	See Coil Group
		Button Plug w/Recessed-Type Head (7/8 inch hole)	45-22980-05
		Button Plug w/Recessed-Type Head (1-3/8 inch hole)	45-22980-09

No.	Notes	MODEL TECHNICAL VARIATION COOLING CAPACITY	RJPL- C 036-060
<b>PANELS, MISCELLANEOUS PARTS (Hinged Doors)</b>			
1		Base Rail - Side (2)	AE-58900-01
2		Base Rail - Condenser End	AE-58901-01
3		Base Rail - Evaporator End	AE-58902-01
4		Outdoor Coil Base Pan	AS-59051-01HT
5		Indoor Coil Base Pan	AS-58910-05
6		Condenser Bulkhead Assembly	AS-103276-04HT
8		Blower Bulkhead Assembly (Does not include Blower Extensions, Cover Plate, Insulation Retainer)	AS-103385-01
9		Blower Extension - Front	AE-58928-01
10		Blower Extension - Back	AE-58928-02
		Insulation Retainer	AE-59059-01
12		Wire Chase Insulation Assembly	AS-103291-01
13a		Corner Post (2)	AE-58965-01HT
13b		Center Coil Post	AE-58967-01HT
15		Louvered Panel	See Accessories
16		Louvered Panel	See Accessories
17		Louvered Panel	See Accessories
18		Supply/Return Cover Panels (2)	AS-58992-01HT
19		Rear Panel (Includes Insulation, Filler Panel, Screws and Stripping)	AS-58976-03HT
20		Filler Panel - Return Air	AE-58974-01HT
		Rear Panel Stripping - Cut Length	AE-58897-10
21a		Blower/Filter Door - Left	AS-102872-33HT
21b		Blower/Filter Door - Right	AS-102872-34HT
21c		Bracket - Bottom Panel (2)	AE-102859-26HT
22		Post - Left End	AS-58973-02HT
23		Front Panel Insulation Assembly	AS-59132-06HT
24		Electric Heat Access Panel	AS-59121-02HT
		Electric Heat Mounting Panel Assembly	AS-59122-01
25		Control Box Access Door (Includes Latch Assy and Gasket)	AS-102872-32HT
25a		Bracket - Top Panel	AE-102859-25HT
25b		Bracket - Middle Panel	AE-102859-28HT
26a		Control Box Insert Panel	AE-103283-01HT
26b		Disconnect Plate	AE-90756-05HT
26c		Receptacle Plate	AE-90756-02HT
27		Front Post	AE-58967-01HT
28		Indoor Coil Top Panel Assembly	AS-58979-04HT
28a		Bracket - Indoor Coil Top Panel	AE-102859-30HT
29a		Condenser Top Panel	AE-58981-01HT
29b		Support - Condenser Top Panel	AE-58980-01
31		Wire Grille	<a href="#">95-101660-01</a>
33		Control Box (w/o components)	AS-103281-01
		Control Box - Top	AE-103282-01

No.	Notes	MODEL TECHNICAL VARIATION COOLING CAPACITY ELECTRICAL DESIGNATION	RJPL- C 036-060 C
<b>ELECTRICAL GROUP</b>			
		Outlet Box	45-41952-02
		Receptacle Cover	45-41953-02
		Receptacle - Ground Fault	45-41954-01
		Pressure Switch Assembly - (Clogged Filter and Fan Proving)	42-103320-26
		Low Ambient Control	See Accessories
47		Low Pressure Control	47-102240-04
48	Stk	High Pressure Control	47-23699-04
<b>CONTROL BOX COMPONENTS:</b>			
35		Capacitor (Fan Only)	See Fan Group
		Strap - Capacitor	AE-50892-01
36		Comfort Alert	42-101504-03
38		Low Voltage Shield	AE-103285-01
40a	Stk	Accessory Relay	<a href="#">42-102234-01</a>
40b	Stk	Defrost Relay	<a href="#">42-102234-01</a>
42	Stk	Blower Contactor - Belt Drive	42-22464-01
44	Stk	Compressor Contactor	42-22464-01
45	Stk	Control Transformer	46-103324-04
46		Unit Controller (RTU-C)	47-102883-01
<b>WIRING HARNESES:</b>			
		Wiring Harness - Twist Loc 6 Pin to (6 Pin 3 Strip Leads)	45-102819-03
		Jumper - 7 Pin Connector (Unit Configuration)	45-42522-101
		Wiring Harness - Economizer (8 Pin and 9 Pin) to (12 Pin, 4 Pin, 4 Connectors, and 2 Sensors) - See Note 1	45-42522-107
		Wiring Harness - Compressor Control 14 Pin to (two 2 Pin Connectors and 2 Sensors) - See Note 1	45-42522-111
		Wiring Harness - 12 Pin Connector to (EMF Plug, Sensor, and 2 Terminals)	45-42522-112

No.	Notes	MODEL TECHNICAL VARIATION COOLING CAPACITY ELECTRICAL DESIGNATION	RJPL- C 036-060 D
<b>ELECTRICAL GROUP</b>			
		Outlet Box	45-41952-02
		Receptacle Cover	45-41953-02
		Receptacle - Ground Fault	45-41954-01
		Pressure Switch Assembly - (Clogged Filter and Fan Proving)	42-103320-26
		Low Ambient Control	See Accessories
47		Low Pressure Control	47-102240-04
48	Stk	High Pressure Control	47-23699-04
<b>CONTROL BOX COMPONENTS:</b>			
35		Capacitor (Fan Only)	See Fan Group
		Strap - Capacitor	AE-50892-01
36		Comfort Alert	42-101504-03
38		Low Voltage Shield	AE-103285-01
40a	Stk	Accessory Relay	<a href="#">42-102234-01</a>
40b	Stk	Defrost Relay	<a href="#">42-102234-01</a>
42	Stk	Blower Contactor - Belt Drive	42-22464-01
44	Stk	Compressor Contactor	42-22464-01
45	Stk	Control Transformer	46-103395-05
46		Unit Controller (RTU-C)	47-102883-01
<b>WIRING HARNESES:</b>			
		Wiring Harness - Twist Loc 6 Pin to (6 Pin 3 Strip Leads)	45-102819-03
		Jumper - 7 Pin Connector (Unit Configuration)	45-42522-101
		Wiring Harness - Economizer (8 Pin and 9 Pin) to (12 Pin, 4 Pin, 4 Connectors, and 2 Sensors) - See Note 1	45-42522-107
		Wiring Harness - Compressor Control 14 Pin to (two 2 Pin Connectors and 2 Sensors) - See Note 1	45-42522-111
		Wiring Harness - 12 Pin Connector to (EMF Plug, Sensor, and 2 Terminals)	45-42522-112

No.	Notes	MODEL TECHNICAL VARIATION COOLING CAPACITY ELECTRICAL DESIGNATION	RJPL- C 036 C	RJPL- C 042 C	RJPL- C 048 C
<b>FAN GROUP</b>					
34	Stk	Fan Motor	51-100998-05	51-100998-05	51-100998-05
35	Stk	Capacitor - Fan Motor	43-100496-04	43-100496-04	43-100496-04
37	Stk	Fan Blade	70-23594-01	70-23594-01	70-23594-01

No.	Notes	MODEL TECHNICAL VARIATION COOLING CAPACITY ELECTRICAL DESIGNATION	RJPL- C 036 D	RJPL- C 042 D	RJPL- C 048 D
<b>FAN GROUP</b>					
34	Stk	Fan Motor	51-100998-07	51-100998-07	51-100998-07
35	Stk	Capacitor - Fan Motor	43-100496-04	43-100496-04	43-100496-04
37	Stk	Fan Blade	70-23594-01	70-23594-01	70-23594-01

No.	Notes	MODEL TECHNICAL VARIATION COOLING CAPACITY ELECTRICAL DESIGNATION	RJPL- C 060 C		
<b>FAN GROUP</b>					
34	Stk	Fan Motor	51-100998-13		
35	Stk	Capacitor - Fan Motor	43-100496-12		
37	Stk	Fan Blade	<a href="#">70-42484-01</a>		

No.	Notes	MODEL TECHNICAL VARIATION COOLING CAPACITY ELECTRICAL DESIGNATION	RJPL- C 060 D		
<b>FAN GROUP</b>					
34	Stk	Fan Motor	51-100998-12		
35	Stk	Capacitor - Fan Motor	43-100496-12		
37	Stk	Fan Blade	<a href="#">70-42484-01</a>		

No.	Notes	MODEL TECHNICAL VARIATION COOLING CAPACITY ELECTRICAL DESIGNATION DRIVE PACKAGE	RJPL- C 036 C L	RJPL- C 036 D L	RJPL- C 042 C L	RJPL- C 042 D L	RJPL- C 048 C L	RJPL- C 048 D L
<b>BLOWER ASSEMBLY - BELT DRIVE</b>								
59	Stk	Blower Assembly (includes items 60-69a and item 70)	AS-101336-01	AS-101336-01	AS-101336-01	AS-101336-01	AS-101336-01	AS-101336-01
60		Housing	AS-101341-01	AS-101341-01	AS-101341-01	AS-101341-01	AS-101341-01	AS-101341-01
61	Stk	Bearing Frame Tri-Arm (2)	70-41723-03	70-41723-03	70-41723-03	70-41723-03	70-41723-03	70-41723-03
62	Stk	Ball Bearing and Cushion (2)	70-41911-01	70-41911-01	70-41911-01	70-41911-01	70-41911-01	70-41911-01
63	Stk	Blower Shaft	70-21933-02	70-21933-02	70-21933-02	70-21933-02	70-21933-02	70-21933-02
64	Stk	Fixed Pitch Sheave	71-100772-04	71-100772-04	71-100772-04	71-100772-04	71-100772-04	71-100772-04
65		Blower Support - Left	AE-58950-02	AE-58950-02	AE-58950-02	AE-58950-02	AE-58950-02	AE-58950-02
66	Stk	Wheel	70-23589-01	70-23589-01	70-23589-01	70-23589-01	70-23589-01	70-23589-01
67		Cut-Off Tabulation	AE-64401-05	AE-64401-05	AE-64401-05	AE-64401-05	AE-64401-05	AE-64401-05
71	Stk	Blower Motor	51-42579-01	51-42579-01	51-42579-01	51-42579-01	51-42579-01	51-42579-01
72	Stk	Variable Pitch Sheave	71-40427-30	71-40427-30	71-40427-30	71-40427-30	71-40427-30	71-40427-30
73	Stk	Belt	71-40235-43	71-40235-43	71-40235-43	71-40235-43	71-40235-43	71-40235-43

No.	Notes	MODEL TECHNICAL VARIATION COOLING CAPACITY ELECTRICAL DESIGNATION DRIVE PACKAGE	RJPL- C 036 C M	RJPL- C 036 D M	RJPL- C 042 C M	RJPL- C 042 D M	RJPL- C 048 C M	RJPL- C 048 D M
<b>BLOWER ASSEMBLY - BELT DRIVE</b>								
59	Stk	Blower Assembly (includes items 60-69a and item 70)	AS-101336-05	AS-101336-05	AS-101336-05	AS-101336-05	AS-101336-05	AS-101336-05
60		Housing	AS-101341-01	AS-101341-01	AS-101341-01	AS-101341-01	AS-101341-01	AS-101341-01
61	Stk	Bearing Frame Tri-Arm (2)	70-41723-03	70-41723-03	70-41723-03	70-41723-03	70-41723-03	70-41723-03
62	Stk	Ball Bearing and Cushion (2)	70-41911-01	70-41911-01	70-41911-01	70-41911-01	70-41911-01	70-41911-01
63	Stk	Blower Shaft	70-21933-02	70-21933-02	70-21933-02	70-21933-02	70-21933-02	70-21933-02
64	Stk	Fixed Pitch Sheave	71-100772-03	71-100772-03	71-100772-03	71-100772-03	71-100772-03	71-100772-03
65		Blower Support - Left	AE-58950-02	AE-58950-02	AE-58950-02	AE-58950-02	AE-58950-02	AE-58950-02
66	Stk	Wheel	70-23589-01	70-23589-01	70-23589-01	70-23589-01	70-23589-01	70-23589-01
67		Cut-Off Tabulation	AE-64401-05	AE-64401-05	AE-64401-05	AE-64401-05	AE-64401-05	AE-64401-05
71	Stk	Blower Motor	51-21909-01	51-21909-01	51-21909-01	51-21909-01	51-21909-01	51-21909-01
72	Stk	Variable Pitch Sheave	71-40427-25	71-40427-25	71-40427-25	71-40427-25	71-40427-25	71-40427-25
73	Stk	Belt	71-40235-43	71-40235-43	71-40235-43	71-40235-43	71-40235-43	71-40235-43

No.	Notes	MODEL TECHNICAL VARIATION COOLING CAPACITY ELECTRICAL DESIGNATION DRIVE PACKAGE	RJPL- C 036-048 C/D L/M					
<b>BLOWER MOTOR MOUNTING - BELT DRIVE</b>								
68		Blower Bracket	AE-101124-01					
69		Blower Bracket - Drive Side	AE-101124-04					
69a		Grommet (Flat)	56-18518-04					
69b		Cross Brace	AE-101467-01					
70		Motor Mount Assembly	AS-101340-01					

No.	Notes	MODEL TECHNICAL VARIATION COOLING CAPACITY ELECTRICAL DESIGNATION DRIVE PACKAGE	RJPL-	RJPL-
			C 060 C L	C 060 D L
<b>BLOWER ASSEMBLY - BELT DRIVE</b>				
59	Stk	Blower Assembly (includes items 60-69a and item 70)	AS-101336-05	AS-101336-05
60		Housing	AS-101341-01	AS-101341-01
61	Stk	Bearing Frame Tri-Arm (2)	70-41723-03	70-41723-03
62	Stk	Ball Bearing and Cushion (2)	70-41911-01	70-41911-01
63	Stk	Blower Shaft	70-21933-02	70-21933-02
64	Stk	Fixed Pitch Sheave	71-100772-03	71-100772-03
65		Blower Support - Left	AE-58950-02	AE-58950-02
66	Stk	Wheel	70-23589-01	70-23589-01
67		Cut-Off Tabulation	AE-64401-05	AE-64401-05
71	Stk	Blower Motor	51-21909-01	51-21909-01
72	Stk	Variable Pitch Sheave	71-40427-29	71-40427-29
73	Stk	Belt	71-40235-42	71-40235-42

No.	Notes	MODEL TECHNICAL VARIATION COOLING CAPACITY ELECTRICAL DESIGNATION DRIVE PACKAGE	RJPL-	RJPL-
			C 060 C M	C 060 D M
<b>BLOWER ASSEMBLY - BELT DRIVE</b>				
59	Stk	Blower Assembly (includes items 60-69a and item 70)	AS-101336-05	AS-101336-05
60		Housing	AS-101341-01	AS-101341-01
61	Stk	Bearing Frame Tri-Arm (2)	70-41723-03	70-41723-03
62	Stk	Ball Bearing and Cushion (2)	70-41911-01	70-41911-01
63	Stk	Blower Shaft	70-21933-02	70-21933-02
64	Stk	Fixed Pitch Sheave	71-100772-03	71-100772-03
65		Blower Support - Left	AE-58950-02	AE-58950-02
66	Stk	Wheel	70-23589-01	70-23589-01
67		Cut-Off Tabulation	AE-64401-05	AE-64401-05
71	Stk	Blower Motor	51-41936-01	51-41936-01
72	Stk	Variable Pitch Sheave	71-40427-25	71-40427-25
73	Stk	Belt	71-40235-43	71-40235-43

No.	Notes	MODEL TECHNICAL VARIATION COOLING CAPACITY ELECTRICAL DESIGNATION DRIVE PACKAGE	RJPL-	
			C 060 C/D L/M	
<b>BLOWER MOTOR MOUNTING - BELT DRIVE</b>				
68		Blower Bracket	AE-101124-01	
69		Blower Bracket - Drive Side	AE-101124-04	
69a		Grommet (Flat)	56-18518-04	
69b		Cross Brace	AE-101467-01	
70		Motor Mount Assembly	AS-101340-01	

No.	Notes	MODEL TECHNICAL VARIATION COOLING CAPACITY	RJPL- C 036	RJPL- C 042	RJPL- C 048	RJPL- C 060
<b>COIL GROUP</b>						
<b>EVAPORATOR COIL:</b>						
74	Stk	Evaporator Coil	AS-102377-03	AS-102377-03	AS-102026-03	AS-102026-03
	Stk	Distributor Assembly	83-100844-08	83-100844-08	83-100844-09	83-100844-09
76		Top Air Stop	AE-58933-01	AE-58933-01	AE-58933-01	AE-58933-01
77		Top Coil Support	AE-58941-01	AE-58941-01	AE-58941-01	AE-58941-01
78	Stk	Indoor Coil Drain Pan	<a href="#">68-23559-01</a>	<a href="#">68-23559-01</a>	<a href="#">68-23559-01</a>	<a href="#">68-23559-01</a>
		Filter Keeper	AE-59168-01	AE-59168-01	AE-59168-01	AE-59168-01
84		Filter Channels (3) - Center is 2 channels back to back	AE-58934-01	AE-58934-01	AE-58934-01	AE-58934-01
85		Filter - Disposable 16 x 25 x 1 (2)	54-17531-10	54-17531-10	54-17531-10	54-17531-10
		Filter - Disposable 16 x 16 x 2 (4)	N/A	N/A	N/A	N/A
<b>CONDENSER COIL:</b>						
82	Stk	Condenser Coil	AS-102376-03	AS-102376-03	AS-102383-01	AS-102383-01
	Stk	Distributor Assembly	83-102378-01	83-102378-01	83-102378-02	83-102378-02
<b>REFRIGERATION:</b>						
79	Stk	Expansion Valve	<a href="#">61-102213-06</a>	<a href="#">61-102211-18</a>	61-102211-19	<a href="#">61-102211-20</a>
80	Stk	Reversing Valve	<a href="#">61-102498-06</a>	<a href="#">61-102498-06</a>	<a href="#">61-102498-06</a>	61-101684-03
81	Stk	Solenoid Coil (24V)	<a href="#">61-101713-92</a>	<a href="#">61-101713-92</a>	<a href="#">61-101713-92</a>	<a href="#">61-101713-01</a>
	Stk	Wiring Harness	61-26149-01	61-26149-01	61-26149-01	61-26149-01

No.	Notes	MODEL	RJPL- C 036 C	RJPL- C 036 D
		TECHNICAL VARIATION		
		COOLING CAPACITY		
		ELECTRICAL DESIGNATION		
<b>COMPRESSOR GROUP</b>				
		<b>Compressor ID:</b>	<b>8246</b>	<b>8237</b>
86	Stk	Compressor	55-102045-05S	55-102045-04S
	Stk	Compressor Wiring Harness (Molded Plug)	45-100834-10	45-100834-10

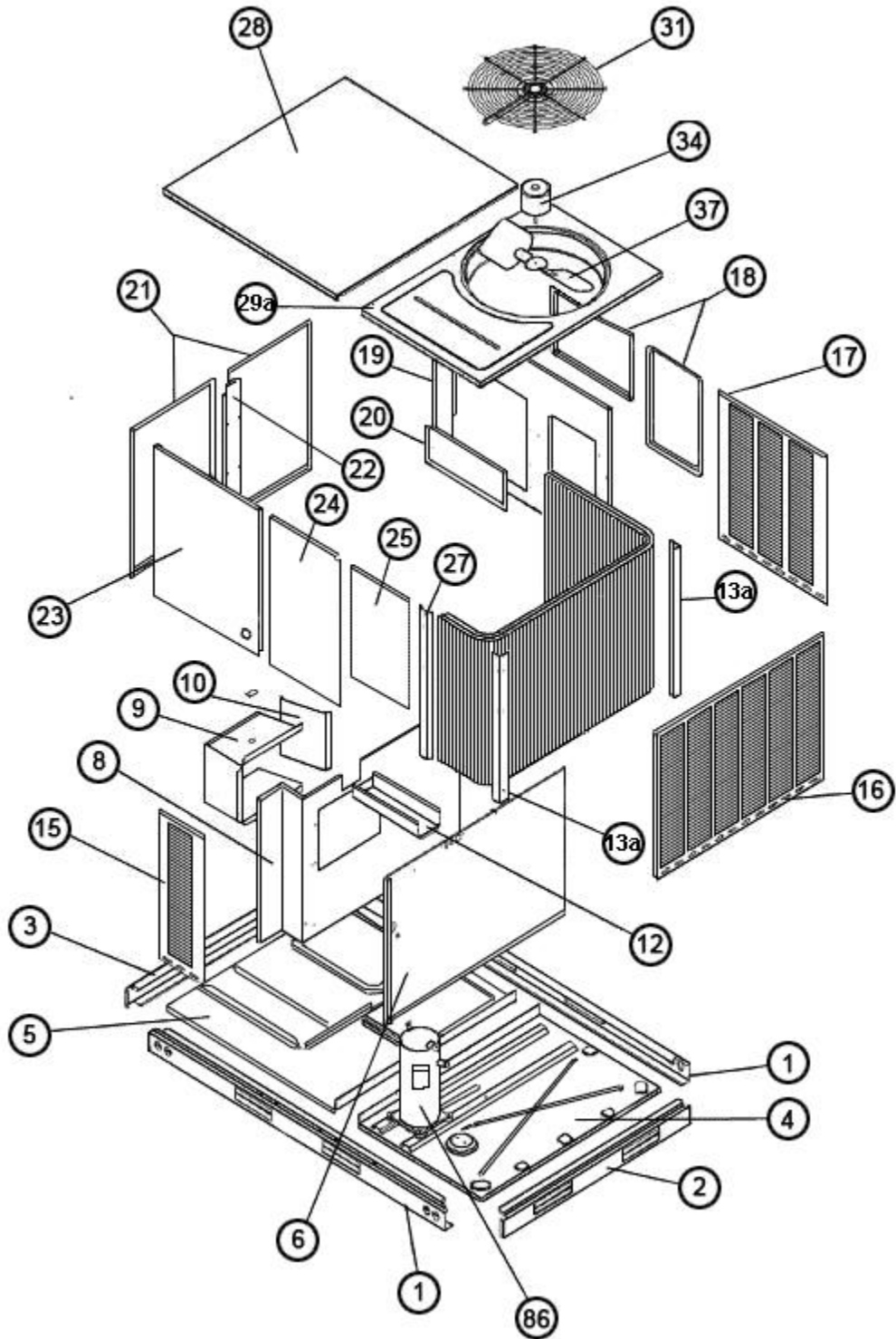
No.	Notes	MODEL	RJPL- C 042 C	RJPL- C 042 D
		TECHNICAL VARIATION		
		COOLING CAPACITY		
		ELECTRICAL DESIGNATION		
<b>COMPRESSOR GROUP</b>				
		<b>Compressor ID:</b>	<b>8238</b>	<b>8239</b>
86	Stk	Compressor	55-102045-16S	55-102045-25S
	Stk	Compressor Wiring Harness (Molded Plug)	45-100834-10	45-100834-10

No.	Notes	MODEL	RJPL- C 048 C	RJPL- C 048 D
		TECHNICAL VARIATION		
		COOLING CAPACITY		
		ELECTRICAL DESIGNATION		
<b>COMPRESSOR GROUP</b>				
		<b>Compressor ID:</b>	<b>8240</b>	<b>8241</b>
86	Stk	Compressor	55-102045-11S	55-102045-10S
	Stk	Compressor Wiring Harness (Molded Plug)	45-100834-10	45-100834-10

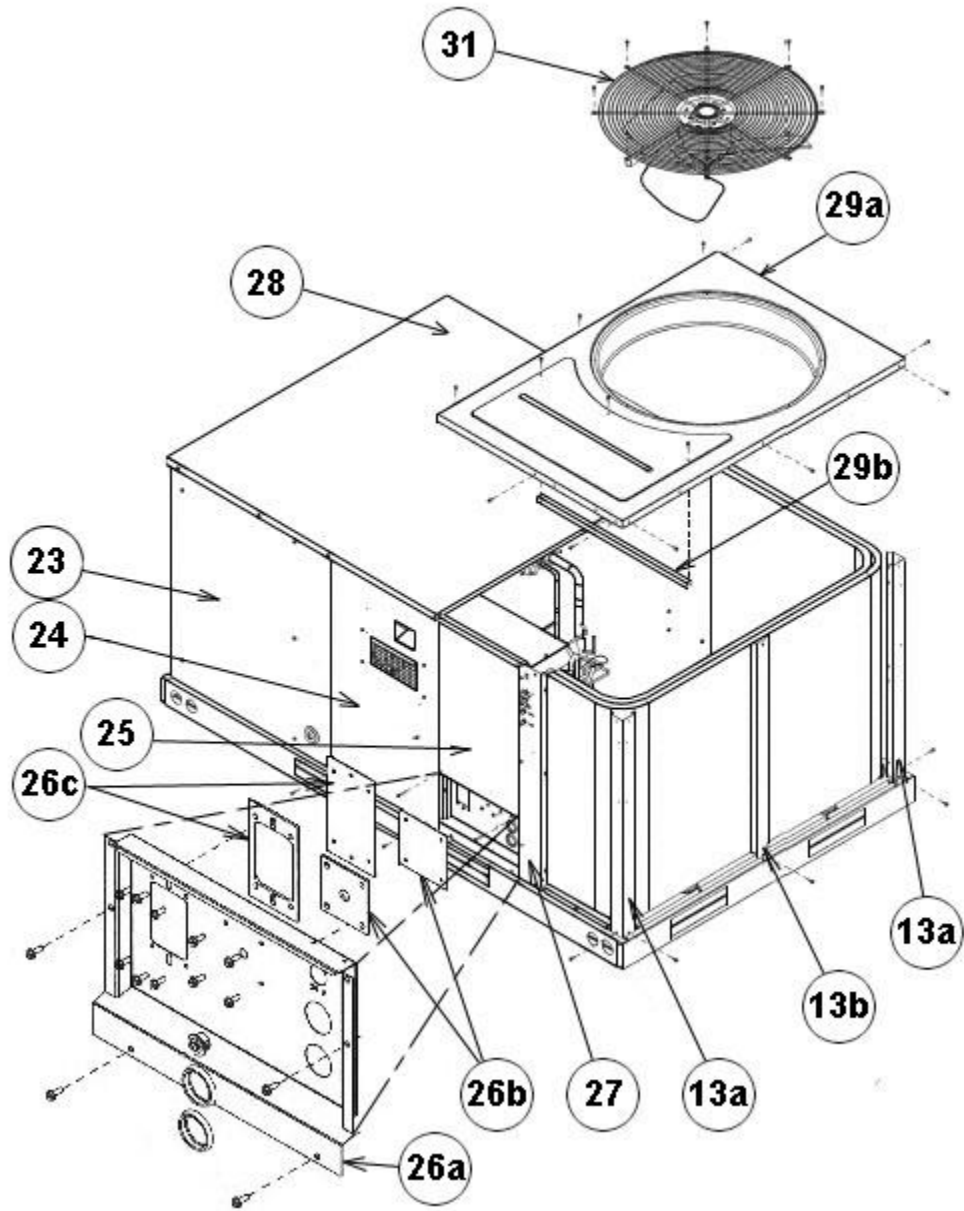
No.	Notes	MODEL	RJPL- C 060 C	RJPL- C 060 D
		TECHNICAL VARIATION		
		COOLING CAPACITY		
		ELECTRICAL DESIGNATION		
<b>COMPRESSOR GROUP</b>				
		<b>Compressor ID:</b>	<b>8242</b>	<b>8243</b>
86	Stk	Compressor	55-102045-27S	55-102045-28S
	Stk	Compressor Wiring Harness (Molded Plug)	45-100834-10	45-100834-10

No.	Notes	MODEL TECHNICAL VARIATION COOLING CAPACITY ELECTRICAL DESIGNATION	RJPL- C 036-060 C	RJPL- C 036-060 D
<b>HEATER KITS</b>				
		Heater Kit - 6kW	RXJJ-A06C	RXJJ-A06D
		Heater Kit - 10kW	RXJJ-A10C	RXJJ-A10D
		Heater Kit - 12kW	RXJJ-A12C	RXJJ-A12D
		Heater Kit - 15kW	RXJJ-A15C	RXJJ-A15D
		Heater Kit - 20kW	RXJJ-A20C	RXJJ-A20D
		Heater Kit - 24kW	N/A	N/A

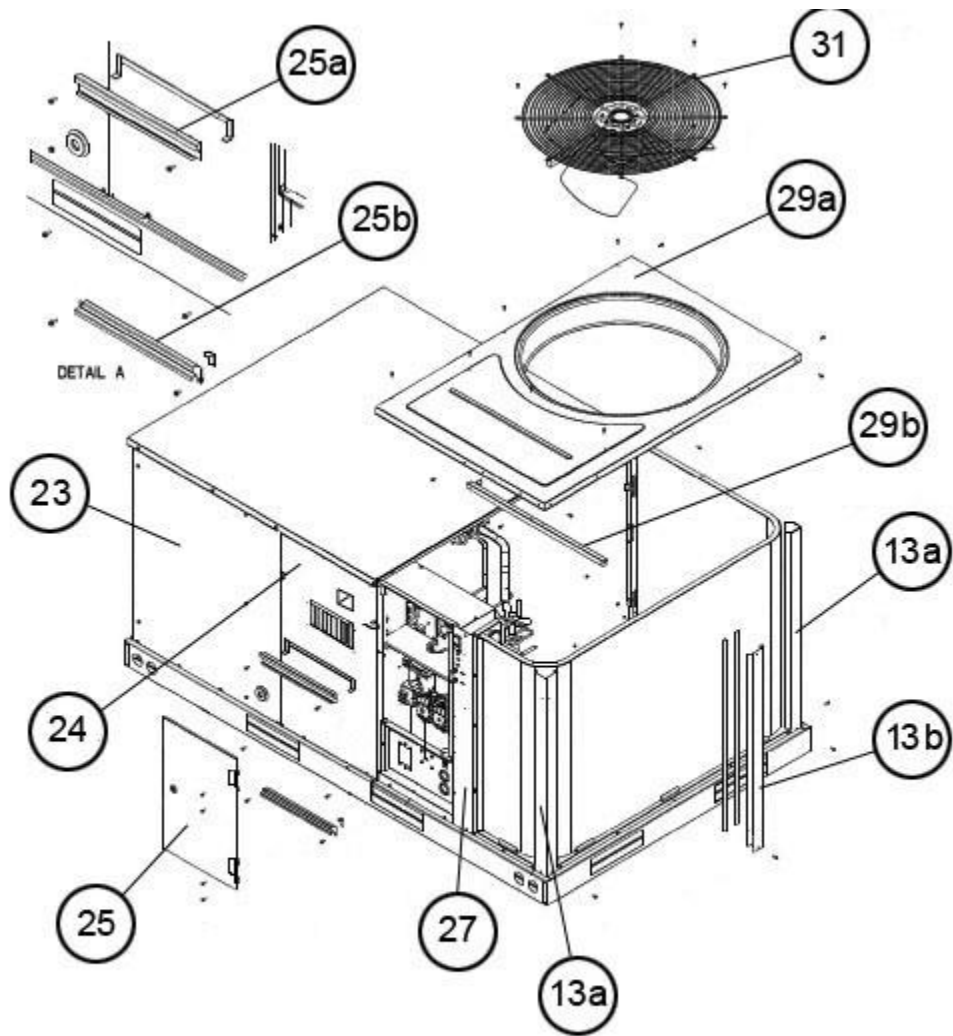
No.	Notes	MODEL TECHNICAL VARIATION COOLING CAPACITY	RJPL- C 036-060
<b>OPTIONS AND ACCESSORIES</b>			
		Economizer with Single Enthalpy (Neutra Green)	RXRD-TKCM3
		Economizer with Single Enthalpy (Granite/Steel Gray)	AXRD-TKCM3
		Economizer with Single Enthalpy and Smoke Detector (Neutra Green)	RXRD-UKCM3
		Economizer with Single Enthalpy and Smoke Detector (Granite/Steel Gray)	AXRD-UKCM3
		Dual Enthalpy Kit	RXXR-AV03
		CO2 Sensor	RXXR-AR02
		Power Exhaust - C Voltage (Neutra Green)	RXXR-BGF04C
		Power Exhaust - C Voltage (Granite/Steel Gray)	AXRX-BGF04C
		Power Exhaust - D Voltage (Neutra Green)	RXXR-BGF04D
		Power Exhaust - D Voltage (Granite/Steel Gray)	AXRX-BGF04D
		Fresh Air Damper Manual (Neutra Green)	RXRF-FBA1
		Fresh Air Damper Manual (Granite/Steel Gray)	AXRF-FBA1
		Fresh Air Damper Motorized (Neutra Green)	RXXR-FBB1
		Fresh Air Damper Motorized (Granite/Steel Gray)	AXRF-FBB1
		Louver Kit - (3 Sides) (Neutra Green)	RXXR-AAD01B
		Louver Kit - (3 Sides) (Granite/Steel Gray)	AXRX-AAD01B
		Comfort Alert	RXXR-AZ01
		BACnet Communication Card	RXXR-AY01
		Lonworks Communication Card	RXXR-AY02
		Low Ambient Control	RXXR-A04



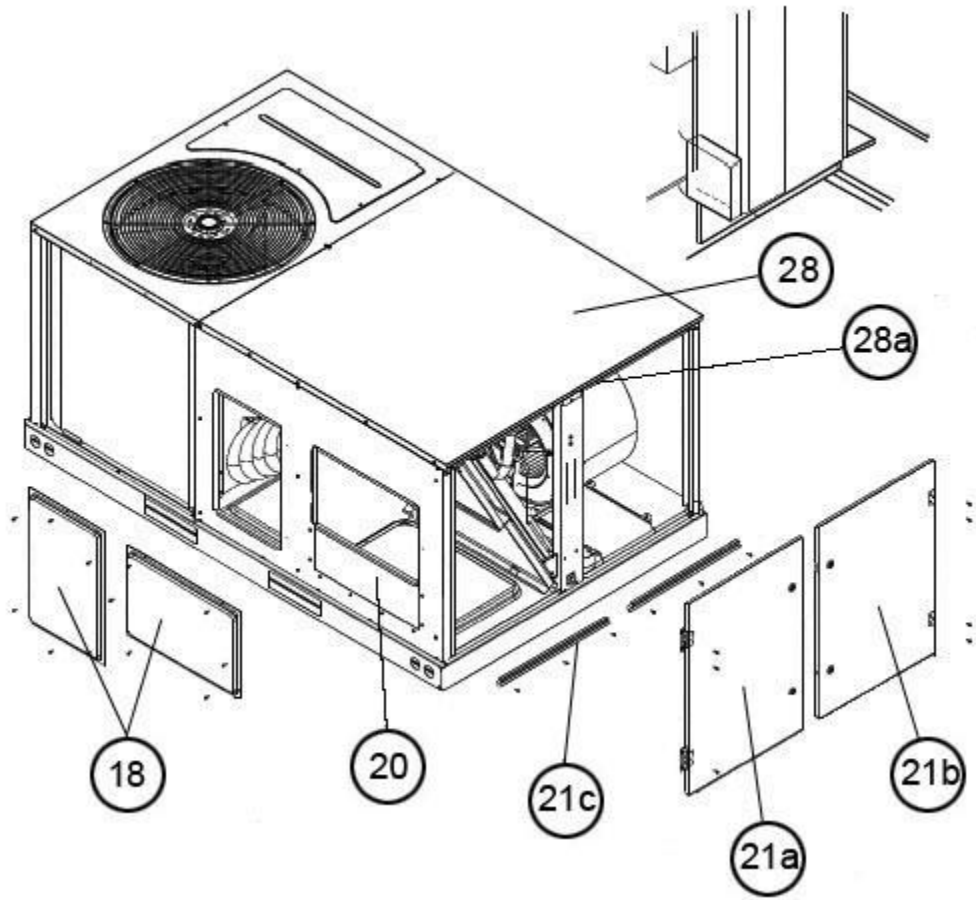
Exploded View 036-060



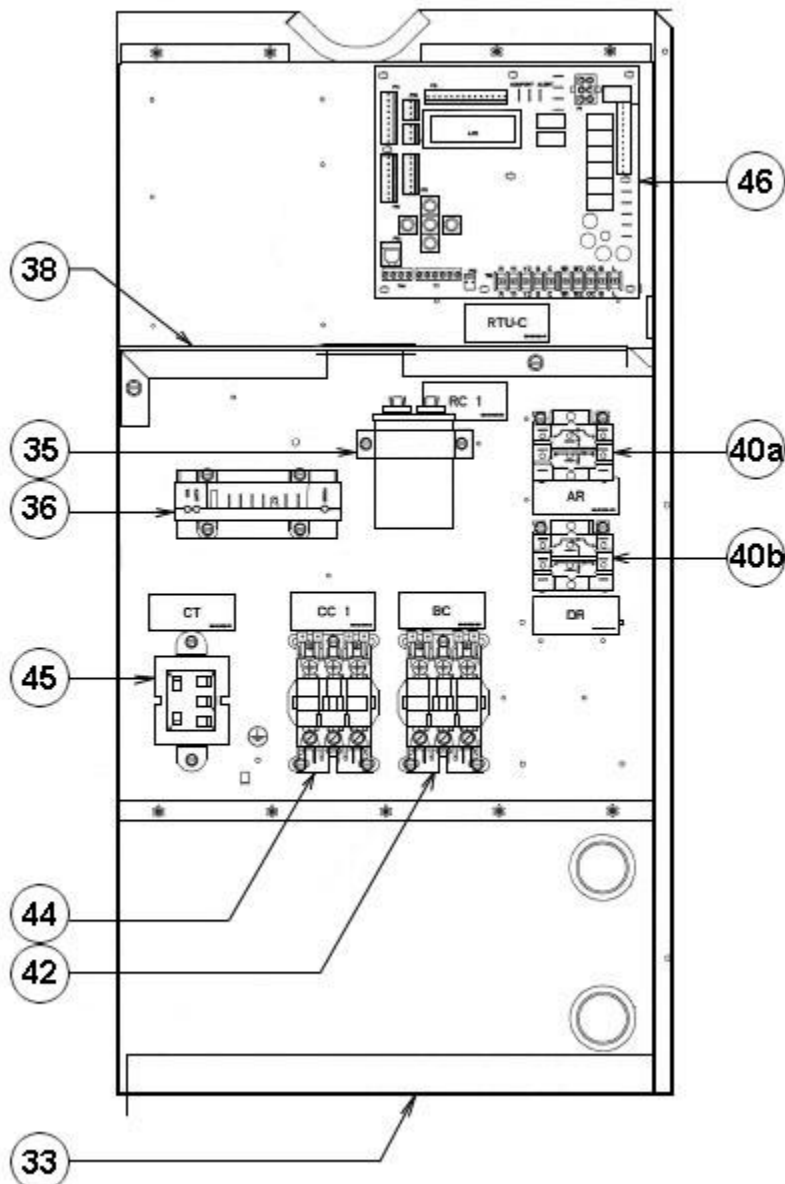
Top Panel View 036-060



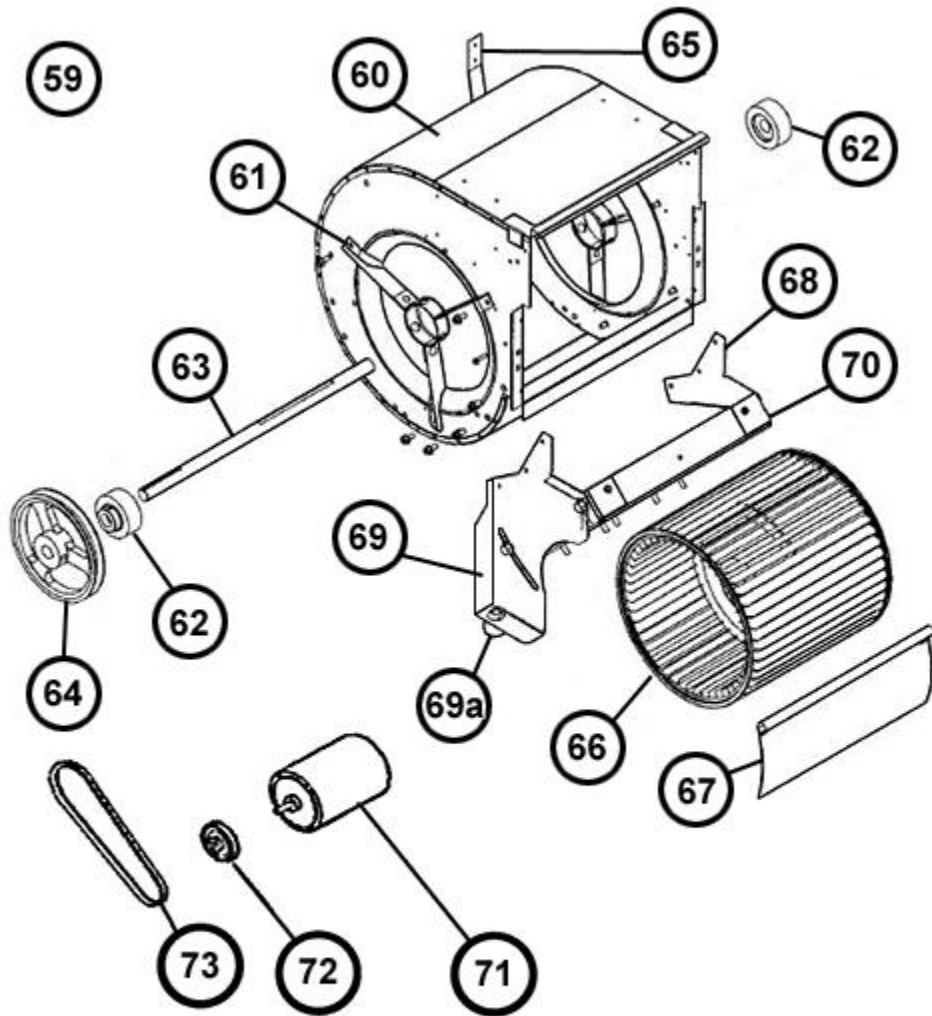
Top Panel View (Hinged Panels)



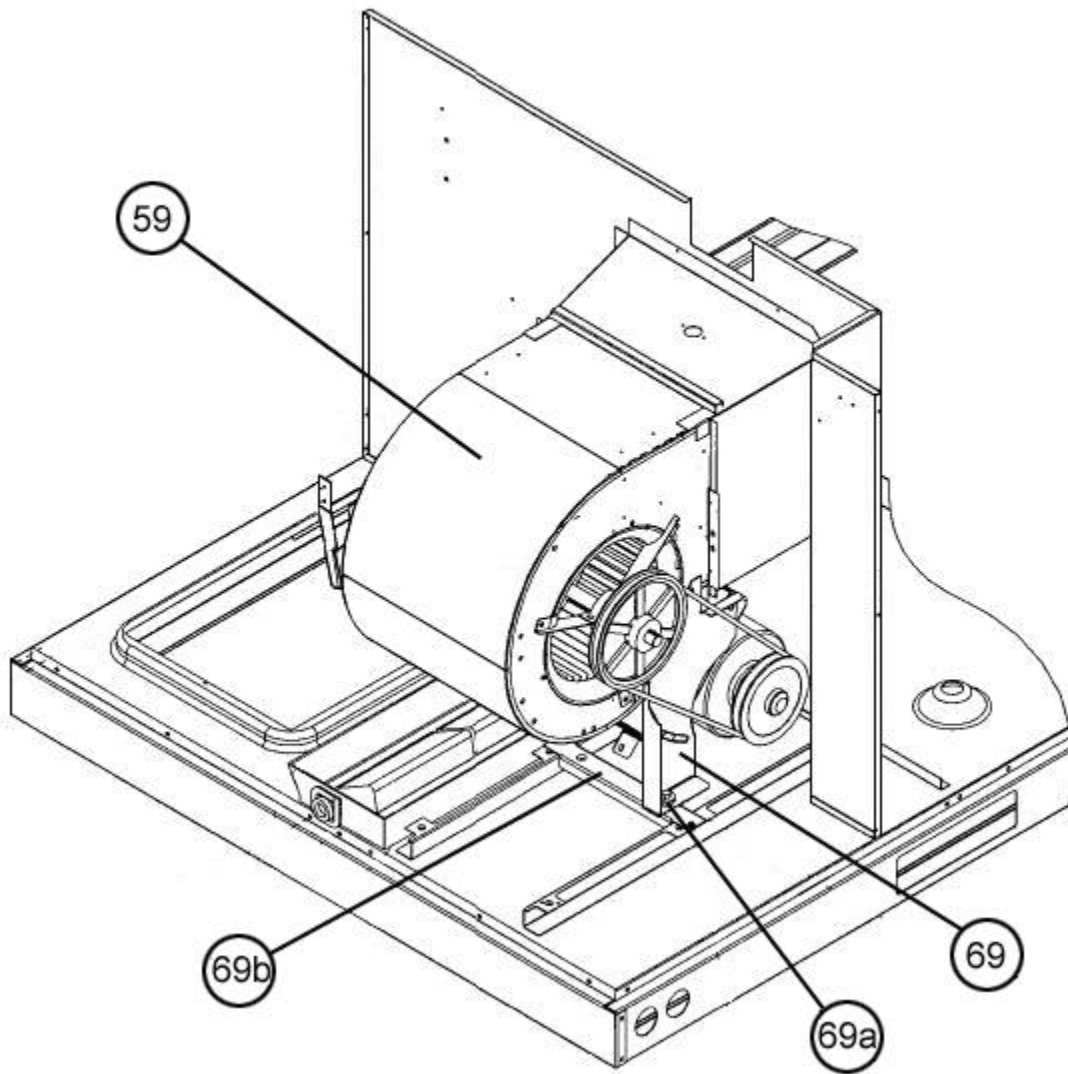
End Panel View (Hinged Panels)



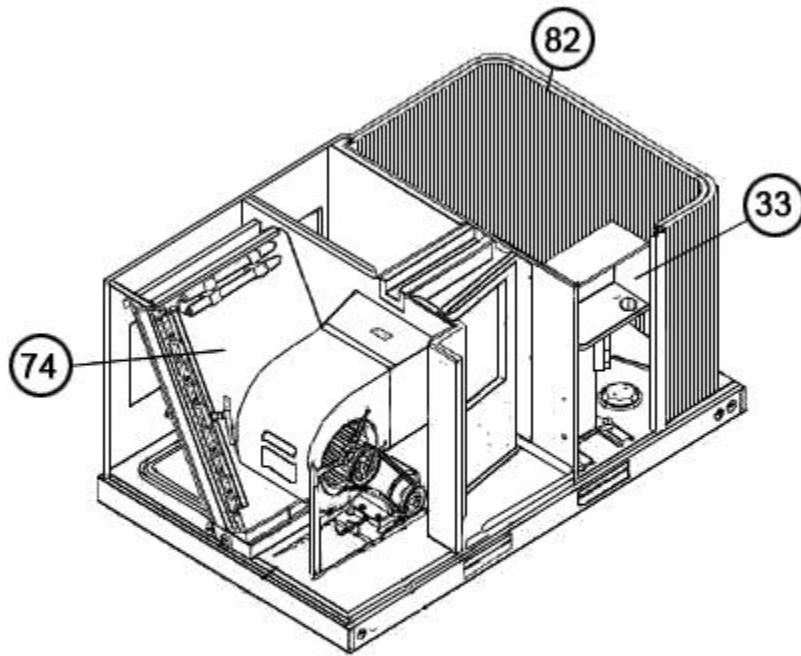
Control Box 036-060



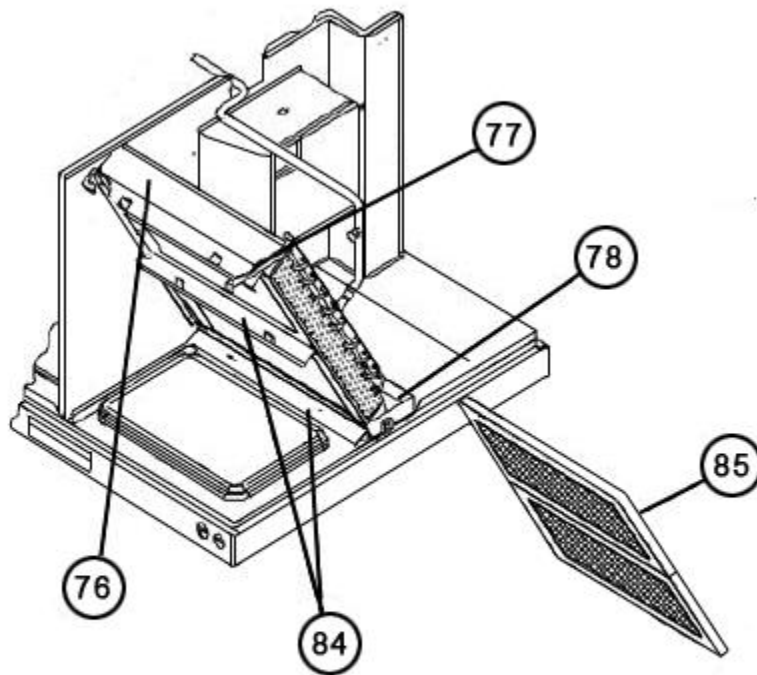
Blower Parts - Belt Drive 036-060



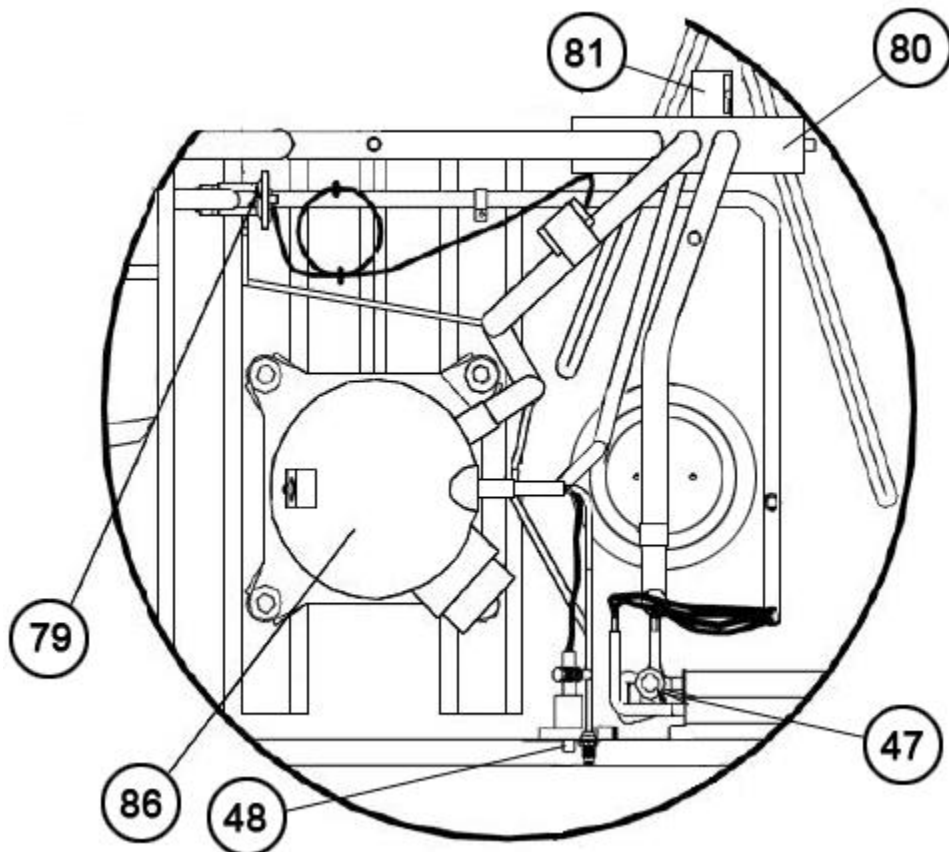
Blower Mounting - Belt Drive 036-060



Coil Group Cut-away View 036-060



Evaporator Coil - Filter Parts 036-060



Compressor - Refrigerator Group 036-060

# NOTES

- Stk It is recommended that stock be maintained for this part.  
N/A Not Applicable  
1 Temperature Sensors are integral with the Wiring Harness.

**DISCLAIMER:** This document is intended to provide general replacement parts information to aid qualified service personnel in the repair of these models. The complete Model and Serial Number of the unit under repair should be specified when selecting and ordering replacement parts. Specifications and illustrations are subject to change without notice. Document 92-42800-RJPL-C supersedes all previous parts lists for these models. See <http://www.rheempartslists.net/92-42800-RJPL-C> for the latest revision of this document. The manufacturer assumes no obligation for errors or omissions. Service personnel must verify the proper and safe operation of equipment after the replacement of any original components.