



# RJPL-A

Parts List  
13-May-2020



*This parts list is current as of the above revision date.  
See <http://www.rheempartslists.net/92-42800-RJPL-A.pdf> for the current revision.*

**Package Heat Pumps - Commercial**

# Table of Contents

Model Explanation .....	Page 3
<b>Parts Numbers</b>	
Panels - Miscellaneous (Granite-Steel Gray) .....	Page 4
Panels - Miscellaneous (Granite-Steel Gray) (Hinged Panels) .....	Page 5
Panels - Miscellaneous (Neutra Green) .....	Page 6
Electrical Group (1) .....	Page 7
Electrical Group (2) .....	Page 8
Fan Group .....	Page 9
Blower Group - Direct Drive .....	Page 10
Blower Assembly - Belt Drive (1) .....	Page 11
Blower Assembly - Belt Drive (2) .....	Page 12
Blower Motor Group - Belt Drive .....	Page 13
Coil Parts .....	Page 14
Compressor Group .....	Page 15
Heater Kits .....	Page 16
Accessories .....	Page 16
<b>Drawings/Photographs</b>	
Exploded View .....	Page 17
End Panel View (Hinged Panels) .....	Page 18
Top Panel (Hinged Panels) .....	Page 19
Control Box .....	Page 20
Blower Parts - Direct Drive .....	Page 20
Blower Parts - Belt Drive .....	Page 21
Blower Mounting - Belt Drive .....	Page 22
Coil Group Cut-away View .....	Page 23
Evaporator Coil - Filter Parts .....	Page 23
Compressor - Refrigerator Group .....	Page 24
Notes/Disclaimer .....	Page 25

**MODEL NUMBER EXPLANATION**

<b>R</b>	<b>J</b>	<b>P</b>	<b>L</b>	<b>-</b>	<b>A</b>	<b>036</b>	<b>J</b>	<b>K</b>	<b>000</b>
1	2	3	4		5	6	7	8	9

- |  |                 |   |
|--|-----------------|---|
| <p><b>1 TRADEBRAND</b></p> <p><b>2 PRODUCT CLASSIFICATION</b><br/>J = Package Heat Pump - Commercial</p> <p><b>3 EFFICIENCY DESIGNATION</b><br/>P = 14 SEER</p> <p><b>4 DESIGN SERIES</b><br/>L = R-410A</p> <p><b>5 TECHNICAL VARIATION</b></p> <p><b>6 COOLING CAPACITY (BTU/HR)</b><br/>036 = 36,000<br/>042 = 42,000<br/>048 = 48,000<br/>060 = 60,000</p> | <p><b>7</b></p> | <p><b>ELECTRICAL DESIGNATION</b><br/>J = 208-230/1/60<br/>C = 208-230/3/60<br/>D = 460/3/50</p> <p><b>8 DRIVE PACKAGE</b><br/>K = Direct Drive<br/>L = Belt Drive<br/>M = Belt Drive - High Static</p> <p><b>9 HEAT DESIGNATION - (ELECTRIC HEAT)</b><br/>000 = No Resistance Heat<br/>010 = 10KW<br/>015 = 15 KW<br/>020 = 20 KW</p> |
|--|-----------------|---|

**SERIAL NUMBER EXPLANATION**

<b>1 2 3 4</b>	<b>F</b>	<b>05</b>	<b>07</b>	<b>00001</b>
1	2	3	4	5

- 1 COMPRESSOR IDENTIFICATION NUMBER**
- 2 PRODUCTION LOCATION**  
F - FORT SMITH, AR
- 3 WEEK OF PRODUCTION**
- 4 YEAR OF PRODUCTION**
- 5 PRODUCTION NUMBER**

No.	Notes	MODEL TECHNICAL VARIATION COOLING CAPACITY	RJPL- A 036-060
<b>PANELS, MISCELLANEOUS PARTS (Granite Steel Gray - After F4411) without Hinged Panels</b>			
1		Base Rail - Side (2)	AE-58900-01
2		Base Rail - Condenser End	AE-58901-01
3		Base Rail - Evaporator End	AE-58902-01
4		Outdoor Coil Base Pan	AS-59051-01H
5		Indoor Coil Base Pan	AS-58910-05
6		Condenser Bulkhead (Does not include Limit Baffle or Tube Support Angles)	AS-59126-02
		Shield (Covers opening on the Condenser Bulkhead Assembly)	AS-59152-01
8		Blower Bulkhead (Does not include Tube Support Angle, Blower Extension, or Insulation Retainer)	AS-59129-01
9		Blower Extension - Front	AE-58928-01
10		Blower Extension - Back	AE-58928-02
		Cover Plate (On the Blower Extension - Front to cover the Limit Control opening)	AE-76216-01
		Insulation Retainer	AE-59059-01
12		Wire Chase Insulation Assembly	AS-58927-01
13		Corner Post (2)	AS-58965-01H
15		Louvered Panel	See Accessories
16		Louvered Panel	See Accessories
17		Louvered Panel	See Accessories
18		Supply/Return Cover Panels	AS-58992-01H
19		Rear Panel (Includes Insulation, Filler Panel, and Stripping)	AS-58976-01H
20		Return Air Filler	AS-58974-01H
		Rear Panel Stripping - Cut Length	AE-58897-10
21		Blower/Filter Access Panels (2)	AS-58990-01H
22		Post - Left End Assembly	AS-58973-01H
23		Front Panel Insulation Assembly	AS-59132-01H
24		Electric Heat Access Panel	AS-59121-02H
25		Compressor Access Panel	AS-58983-04H
26		Power Entry Panel	AS-58968-03H
27		Front Post	AS-58967-01H
28		Indoor Coil Top Panel Assembly	AS-58979-01H
29		Condenser Top Panel	AS-58982-01H
31		Wire Grille	<a href="#">95-101660-01</a>
33		Control Box (w/o components)	AS-59039-01

No.	Notes	MODEL TECHNICAL VARIATION COOLING CAPACITY	RJPL- A 048
<b>PANELS, MISCELLANEOUS PARTS (Granite Steel Gray - After F4411) with Hinged Panels</b>			
1		Base Rail - Side (2)	AE-58900-01
2		Base Rail - Condenser End	AE-58901-01
3		Base Rail - Evaporator End	AE-58902-01
4		Outdoor Coil Base Pan	AS-59051-01HT
5		Indoor Coil Base Pan	AS-58910-05
6		Condenser Bulkhead (Does not include Limit Baffle or Tube Support Angles)	AS-59126-08HT
		Shield (Covers opening on the Condenser Bulkhead Assembly)	AS-59152-01
8		Blower Bulkhead (Does not include Tube Support Angle, Blower Extension, or Insulation Retainer)	AS-103386-02
9		Blower Extension - Front	AE-58928-01
10		Blower Extension - Back	AE-58928-02
		Cover Plate (On the Blower Extension - Front to cover the Limit Control opening)	AE-76216-01
		Insulation Retainer	AE-59059-01
12		Wire Chase Insulation Assembly	AS-103291-01
13		Corner Post (2)	AE-58965-01HT
13a		Front Corner Post (-036 "L" Coil Only)	N/A
15		Louvered Panel	See Accessories
16		Louvered Panel	See Accessories
17		Louvered Panel	See Accessories
18a		Supply/Return Cover Panel	AS-58992-01HT
18b		Supply/Return Cover Panel	AS-58992-01HT
19		Rear Panel (Includes Insulation, Filler Panel, and Stripping)	AS-58976-03HT
20		Return Air Filler	AE-58974-01HT
		Rear Panel Stripping - Cut Length	AE-58897-10
21a		Blower/Filter Door - Left	AS-102872-33HT
21b		Blower/Filter Door - Right	AS-102872-34HT
21c		Bracket - Bottom Panel (2)	AE-102859-26HT
22		Post - Left End Assembly	AS-58973-02HT
23		Front Panel Insulation Assembly	AS-59132-06HT
24		Electric Heat Access Panel	AS-59121-02HT
25a		Control Box Access Panel	AS-102872-35HT
25b		Compressor Access Panel	AE-58983-06HT
25c		Bracket - Top	AE-102859-31HT
25d		Bracket - Middle	AE-102859-32HT
26		Power Entry Panel	AE-58968-03HT
27		Front Post	AE-58967-01HT
28		Indoor Coil Top Panel Assembly	AS-58979-04HT
28a		Bracket - Top Panel	AE-102859-30HT
29		Condenser Top Panel	AS-58982-01HT
31		Wire Grille	<a href="#">95-101660-01</a>
33		Control Box (w/o components)	AS-59039-01

No.	Notes	MODEL TECHNICAL VARIATION COOLING CAPACITY	RJPL- A 036-060
<b>PANELS, MISCELLANEOUS PARTS (Neutra Green - Before F4411)</b>			
1		Base Rail - Side (2)	AE-58900-01
2		Base Rail - Condenser End	AE-58901-01
3		Base Rail - Evaporator End	AE-58902-01
4		Outdoor Coil Base Pan	AS-59051-01
5		Indoor Coil Base Pan	AS-58910-05
6		Condenser Bulkhead (Does not include Limit Baffle or Tube Support Angles)	AS-59126-02
		Shield (Covers opening on the Condenser Bulkhead Assembly)	AS-59152-01
8		Blower Bulkhead (Does not include Tube Support Angle, Blower Extension, or Insulation Retainer)	AS-59129-01
9		Blower Extension - Front	AE-58928-01
10		Blower Extension - Back	AE-58928-02
		Cover Plate (On the Blower Extension - Front to cover the Limit Control opening)	AE-76216-01
		Insulation Retainer	AE-59059-01
12		Wire Chase Insulation Assembly	AS-58927-01
13		Corner Post (2)	AE-58965-01
15		Louvered Panel	See Accessories
16		Louvered Panel	See Accessories
17		Louvered Panel	See Accessories
18		Supply/Return Cover Panels	AS-58992-01
19		Rear Panel (Includes Insulation, Filler Panel, and Stripping)	AS-58976-01
20		Return Air Filler	AE-58974-01
		Rear Panel Stripping - Cut Length	AE-58897-10
21		Blower/Filter Access Panels (2)	AS-58990-01
22		Post - Left End Assembly	AS-58973-01
23		Front Panel Insulation Assembly	AS-59132-01
24		Electric Heat Access Panel	AS-59121-02
25		Compressor Access Panel	AE-58983-04
26		Power Entry Panel	AE-58968-03
27		Front Post	AE-58967-01
28		Indoor Coil Top Panel Assembly	AS-58979-01
29		Condenser Top Panel	AS-58982-01
31		Wire Grille	<a href="#">95-101660-01</a>
33		Control Box (w/o components)	AS-59039-01

No.	Notes	MODEL TECHNICAL VARIATION COOLING CAPACITY ELECTRICAL DESIGNATION	RJPL-	RJPL-	RJPL-
			A 036 C	A 036 D	A 036 J
<b>ELECTRICAL GROUP</b>					
		CONTROL BOX COMPONENTS (Items 35,36, 38-46):			
35a		Capacitor (Dual Round - Compressor/Fan)	See Compressor Group		
35b		Capacitor (Fan Only)	See Fan Group		
36		Capacitor Adapter Plate	See Fan Group		
38	Stk,1	Defrost Control (Includes Ambient and Defrost Sensor) - Before F3910	47-21517-18	47-21517-18	47-21517-18
38	Stk,1	Defrost Control (Includes Ambient and Defrost Sensor) - After F3910	47-102685-05	47-102685-05	47-102685-05
39	Stk	Blower Relay	42-101208-01	42-21571-04	<a href="#">42-21571-08</a>
40	Stk	Defrost Relay	N/A	42-19736-04	N/A
		Accessory Relay	42-19736-05	42-19736-05	42-19736-05
41	Stk	Blower Time Delay Relay	<a href="#">42-21593-03</a>	<a href="#">42-21593-03</a>	N/A
42	Stk	Blower Contactor - Belt Drive	42-22464-01	42-22464-01	N/A
43		Compressor Time Delay Relay	See Accessories		
44	Stk	Compressor Contactor	42-22464-01	42-22464-01	42-42728-03
45	Stk	Control Transformer	46-23600-01	46-23600-02	46-23600-01
46		Terminal Strip	45-23591-01	45-23591-01	45-23591-01
		Wire Harness - Twist-Loc Grommet	45-102819-01	45-102819-01	45-102819-01
		Low Ambient Control	See Accessories		
48	Stk	High Pressure Control - Before F3910	47-23699-04	47-23699-04	47-23699-04
48	Stk	High Pressure Control - After F3910	<a href="#">47-102290-01</a>	<a href="#">47-102290-01</a>	<a href="#">47-102290-01</a>
	Stk	Low Pressure Control - After F3910	<a href="#">47-102240-02</a>	<a href="#">47-102240-02</a>	<a href="#">47-102240-02</a>

No.	Notes	MODEL TECHNICAL VARIATION COOLING CAPACITY ELECTRICAL DESIGNATION	RJPL-	RJPL-	RJPL-
			A 042 C	A 042 D	A 042 J
<b>ELECTRICAL GROUP</b>					
		CONTROL BOX COMPONENTS (Items 35,36, 38-46):			
35a		Capacitor (Dual Round - Compressor/Fan)	See Compressor Group		
35b		Capacitor (Fan Only)	See Fan Group		
36		Capacitor Adapter Plate	See Fan Group		
38	Stk,1	Defrost Control (Includes Ambient and Defrost Sensor) - Before F3910	47-21517-18	47-21517-18	47-21517-18
38	Stk,1	Defrost Control (Includes Ambient and Defrost Sensor) - After F3910	47-102685-05	47-102685-05	47-102685-05
39	Stk	Blower Relay	42-101208-01	42-21571-04	<a href="#">42-21571-08</a>
40	Stk	Defrost Relay	N/A	42-19736-04	N/A
		Accessory Relay	42-19736-05	42-19736-05	42-19736-05
41	Stk	Blower Time Delay Relay	<a href="#">42-21593-03</a>	<a href="#">42-21593-03</a>	N/A
42	Stk	Blower Contactor - Belt Drive	42-22464-01	42-22464-01	N/A
43		Compressor Time Delay Relay	See Accessories		
44	Stk	Compressor Contactor	42-22464-01	42-22464-01	42-42728-03
45	Stk	Control Transformer	46-23600-01	46-23600-02	46-23600-01
46		Terminal Strip	45-23591-01	45-23591-01	45-23591-01
		Wire Harness - Twist-Loc Grommet	45-102819-01	45-102819-01	45-102819-01
		Low Ambient Control	See Accessories		
48	Stk	High Pressure Control - Before F3910	47-23699-04	47-23699-04	47-23699-04
48	Stk	High Pressure Control - After F3910	<a href="#">47-102290-01</a>	<a href="#">47-102290-01</a>	<a href="#">47-102290-01</a>
	Stk	Low Pressure Control - After F3910	<a href="#">47-102240-02</a>	<a href="#">47-102240-02</a>	<a href="#">47-102240-02</a>

No.	Notes	MODEL TECHNICAL VARIATION COOLING CAPACITY ELECTRICAL DESIGNATION	RJPL- A 048 C	RJPL- A 048 D	RJPL- A 048 J
<b>ELECTRICAL GROUP</b>					
		CONTROL BOX COMPONENTS (Items 35,36, 38-46):			
35a		Capacitor (Dual Round - Compressor/Fan)	See Compressor Group		
35b		Capacitor (Fan Only)	See Fan Group		
36		Capacitor Adapter Plate	See Fan Group		
38	Stk,1	Defrost Control (Includes Ambient and Defrost Sensor) - Before F3910	47-21517-18	47-21517-18	47-21517-18
38	Stk,1	Defrost Control (Includes Ambient and Defrost Sensor) - After F3910	47-102685-05	47-102685-05	47-102685-05
39		Blower Relay	42-101208-01	42-21571-04	<a href="#">42-21571-08</a>
40	Stk	Defrost Relay	N/A	42-19736-04	N/A
		Accessory Relay	42-19736-05	42-19736-05	42-19736-05
41	Stk	Blower Time Delay Relay	<a href="#">42-21593-03</a>	<a href="#">42-21593-03</a>	N/A
42	Stk	Blower Contactor - Belt Drive	42-22464-01	42-22464-01	N/A
43		Compressor Time Delay Relay	See Accessories		
44	Stk	Compressor Contactor	42-22464-01	42-22464-01	42-42478-02
45	Stk	Control Transformer	46-23600-01	46-23600-02	46-23600-01
46		Terminal Strip	45-23591-01	45-23591-01	45-23591-01
		Wire Harness - Twist-Loc Grommet	45-102819-01	45-102819-01	45-102819-01
		Low Ambient Control	See Accessories		
48	Stk	High Pressure Control - Before F3910	47-23699-04	47-23699-04	47-23699-04
48	Stk	High Pressure Control - After F3910	<a href="#">47-102290-01</a>	<a href="#">47-102290-01</a>	<a href="#">47-102290-01</a>
	Stk	Low Pressure Control - After F3910	<a href="#">47-102240-02</a>	<a href="#">47-102240-02</a>	<a href="#">47-102240-02</a>

No.	Notes	MODEL TECHNICAL VARIATION COOLING CAPACITY ELECTRICAL DESIGNATION	RJPL- A 060 C	RJPL- A 060 D	RJPL- A 060 J
<b>ELECTRICAL GROUP</b>					
		CONTROL BOX COMPONENTS (Items 35,36, 38-46):			
35a		Capacitor (Dual Round - Compressor/Fan)	See Compressor Group		
35b		Capacitor (Fan Only)	See Fan Group		
36		Capacitor Adapter Plate	See Fan Group		
38	Stk,1	Defrost Control (Includes Ambient and Defrost Sensor) - Before F3910	47-21517-18	47-21517-18	47-21517-18
38	Stk,1	Defrost Control (Includes Ambient and Defrost Sensor) - After F3910	47-102685-05	47-102685-05	47-102685-05
39		Blower Relay	42-101208-01	42-21571-04	<a href="#">42-21571-08</a>
40	Stk	Defrost Relay	N/A	42-19736-04	N/A
		Accessory Relay	42-19736-05	42-19736-05	42-19736-05
41	Stk	Blower Time Delay Relay	<a href="#">42-21593-03</a>	<a href="#">42-21593-03</a>	N/A
42		Blower Contactor - Belt Drive	42-22464-01	42-22464-01	N/A
43		Compressor Time Delay Relay	See Accessories		
44	Stk	Compressor Contactor	42-22464-01	42-22464-01	42-42478-02
45	Stk	Control Transformer	46-23600-01	46-23600-02	46-23600-01
46		Terminal Strip	45-23591-01	45-23591-01	45-23591-01
		Wire Harness - Twist-Loc Grommet	45-102819-01	45-102819-01	45-102819-01
		Low Ambient Control	See Accessories		
48	Stk	High Pressure Control - Before F3910	47-23699-04	47-23699-04	47-23699-04
48	Stk	High Pressure Control - After F3910	<a href="#">47-102290-01</a>	<a href="#">47-102290-01</a>	<a href="#">47-102290-01</a>
	Stk	Low Pressure Control - After F3910	<a href="#">47-102240-02</a>	<a href="#">47-102240-02</a>	<a href="#">47-102240-02</a>

No.	Notes	MODEL TECHNICAL VARIATION COOLING CAPACITY ELECTRICAL DESIGNATION	RJPL- A 036 C	RJPL- A 036 D	RJPL- A 036 J
<b>FAN GROUP</b>					
34	Stk	Fan Motor	51-100998-05	51-100998-07	51-100998-05
35b	Stk	Capacitor - Fan Motor	43-100496-04	43-100496-04	N/A
36		Capacitor Adapter Plate	AE-54609-02	AE-54609-02	AE-54609-01
37	Stk	Fan Blade	70-23594-01	70-23594-01	70-23594-01

No.	Notes	MODEL TECHNICAL VARIATION COOLING CAPACITY ELECTRICAL DESIGNATION	RJPL- A 042 C	RJPL- A 042 D	RJPL- A 042 J
<b>FAN GROUP</b>					
34	Stk	Fan Motor	51-100998-05	51-100998-07	51-100998-05
35b	Stk	Capacitor - Fan Motor	43-100496-04	43-100496-04	N/A
36		Capacitor Adapter Plate	AE-54609-02	AE-54609-02	AE-54609-01
37	Stk	Fan Blade	70-23594-01	70-23594-01	70-23594-01

No.	Notes	MODEL TECHNICAL VARIATION COOLING CAPACITY ELECTRICAL DESIGNATION	RJPL- A 048 C	RJPL- A 048 D	RJPL- A 048 J
<b>FAN GROUP</b>					
34	Stk	Fan Motor	51-100998-05	51-100998-07	51-100998-05
35b	Stk	Capacitor - Fan Motor	43-100496-04	43-100496-04	N/A
36		Capacitor Adapter Plate	AE-54609-02	AE-54609-02	AE-54609-01
37	Stk	Fan Blade	70-23594-01	70-23594-01	70-23594-01

No.	Notes	MODEL TECHNICAL VARIATION COOLING CAPACITY ELECTRICAL DESIGNATION	RJPL- A 060 C	RJPL- A 060 D	RJPL- A 060 J
<b>FAN GROUP</b>					
34	Stk	Fan Motor	51-100998-13	51-100998-12	51-100998-13
35b	Stk	Capacitor - Fan Motor	43-100496-12	43-100496-12	N/A
36		Capacitor Adapter Plate	AE-54609-02	AE-54609-02	AE-54609-01
37	Stk	Fan Blade	<a href="#">70-42484-01</a>	<a href="#">70-42484-01</a>	<a href="#">70-42484-01</a>

No.	Notes	MODEL TECHNICAL VARIATION COOLING CAPACITY ELECTRICAL DESIGNATION DRIVE PACKAGE	RJPL- A 036 C K	RJPL- A 036 D K	RJPL- A 036 J K	RJPL- A 042 C K	RJPL- A 042 D K	RJPL- A 042 J K
<b>BLOWER GROUP - DIRECT DRIVE</b>								
50	Stk	Blower Assembly (Items 51-58)	AS-59050-19	AS-59050-23	AS-59050-19	AS-59050-20	AS-59050-24	AS-59050-20
51		Housing	AS-58944-01	AS-58944-01	AS-58944-01	AS-58944-01	AS-58944-01	AS-58944-01
52	Stk	Wheel	70-23110-30	70-23110-30	70-23110-30	70-23110-30	70-23110-30	70-23110-30
53		Cut-Off Tabulation	AE-64401-05	AE-64401-05	AE-64401-05	AE-64401-05	AE-64401-05	AE-64401-05
54	Stk	Blower Motor	51-101880-17	51-103623-01	51-101880-17	51-101920-17	51-103253-02	51-101920-17
56		Motor Band	70-19927-03	70-19927-03	70-19927-03	70-19927-03	70-19927-03	70-19927-03
57		Motor Mounting Arm (3)	70-19929-09	70-19929-09	70-19929-09	70-19929-09	70-19929-09	70-19929-09
58		Blower Support - (Left Side)	AE-58950-02	AE-58950-02	AE-58950-02	AE-58950-02	AE-58950-02	AE-58950-02
		Blower Support - (Motor Side)	AE-59060-01	AE-59060-01	AE-59060-01	AE-59060-01	AE-59060-01	AE-59060-01

No.	Notes	MODEL TECHNICAL VARIATION COOLING CAPACITY ELECTRICAL DESIGNATION DRIVE PACKAGE	RJPL- A 048 C K	RJPL- A 048 D K	RJPL- A 048 J K	RJPL- A 060 C K	RJPL- A 060 D K	RJPL- A 060 J K
<b>BLOWER GROUP - DIRECT DRIVE</b>								
50	Stk	Blower Assembly (Items 51-58)	AS-59050-21	AS-59050-25	AS-59050-21	AS-59050-22	AS-59050-26	AS-59050-22
51		Housing	AS-58944-01	AS-58944-01	AS-58944-01	AS-101342-02	AS-101342-02	AS-101342-02
52	Stk	Wheel	70-23110-30	70-23110-30	70-23110-30	70-23111-29	70-23111-29	70-23111-29
53		Cut-Off Tabulation	AE-64401-05	AE-64401-05	AE-64401-05	AE-64401-23	AE-64401-23	AE-64401-23
54	Stk	Blower Motor	51-101920-18	51-103253-03	51-101920-18	51-101984-11	51-103624-01	51-101984-11
56		Motor Band	70-19927-03	70-19927-03	70-19927-03	70-19927-03	70-19927-03	70-19927-03
57		Motor Mounting Arm (3)	70-19929-09	70-19929-09	70-19929-09	70-19929-09	70-19929-09	70-19929-09
58		Blower Support - (Left Side)	AE-58950-02	AE-58950-02	AE-58950-02	AE-58950-04	AE-58950-04	AE-58950-04
		Blower Support - (Motor Side)	AE-59060-01	AE-59060-01	AE-59060-01	AE-59060-01	AE-59060-01	AE-59060-01

No.	Notes	MODEL TECHNICAL VARIATION COOLING CAPACITY ELECTRICAL DESIGNATION DRIVE PACKAGE	RJPL-	RJPL-	RJPL-	RJPL-
			A 036 C L	A 036 C M	A 036 D L	A 036 D M
<b>BLOWER ASSEMBLY - BELT DRIVE</b>						
59	Stk	Blower Assembly (Items 60-63, 65-70 excluding item 69b)	AS-101336-01	AS-101336-05	AS-101336-01	AS-101336-05
60		Housing	AS-101341-01	AS-101341-01	AS-101341-01	AS-101341-01
61	Stk	Bearing Frame Tri-Arm (2)	70-41723-03	70-41723-03	70-41723-03	70-41723-03
62	Stk	Ball Bearing and Cushion (2)	70-41911-01	70-41911-01	70-41911-01	70-41911-01
63	Stk	Blower Shaft	70-21933-02	70-21933-02	70-21933-02	70-21933-02
64	Stk	Fixed Pitch Sheave	71-21932-04	71-21932-03	71-21932-04	71-21932-03
65		Blower Support - Left	AE-58950-02	AE-58950-02	AE-58950-02	AE-58950-02
66	Stk	Wheel	70-23589-01	70-23589-01	70-23589-01	70-23589-01
67		Cut-Off Tabulation	AE-64401-05	AE-64401-05	AE-64401-05	AE-64401-05
71		Blower Motor	See Blower Motor Group - Belt Drive			
72		Variable Pitch Sheave	See Blower Motor Group - Belt Drive			
73		Belt	See Blower Motor Group - Belt Drive			

No.	Notes	MODEL TECHNICAL VARIATION COOLING CAPACITY ELECTRICAL DESIGNATION DRIVE PACKAGE	RJPL-	RJPL-	RJPL-	RJPL-
			A 042 C L	A 042 C M	A 042 D L	A 042 D M
<b>BLOWER ASSEMBLY - BELT DRIVE</b>						
59	Stk	Blower Assembly (Items 60-63, 65-70 excluding item 69b)	AS-101336-01	AS-101336-05	AS-101336-01	AS-101336-05
60		Housing	AS-101341-01	AS-101341-01	AS-101341-01	AS-101341-01
61	Stk	Bearing Frame Tri-Arm (2)	70-41723-03	70-41723-03	70-41723-03	70-41723-03
62	Stk	Ball Bearing and Cushion (2)	70-41911-01	70-41911-01	70-41911-01	70-41911-01
63	Stk	Blower Shaft	70-21933-02	70-21933-02	70-21933-02	70-21933-02
64	Stk	Fixed Pitch Sheave	71-21932-04	71-21932-03	71-21932-04	71-21932-03
65		Blower Support - Left	AE-58950-02	AE-58950-02	AE-58950-02	AE-58950-02
66	Stk	Wheel	70-23589-01	70-23589-01	70-23589-01	70-23589-01
67		Cut-Off Tabulation	AE-64401-05	AE-64401-05	AE-64401-05	AE-64401-05
71		Blower Motor	See Blower Motor Group - Belt Drive			
72		Variable Pitch Sheave	See Blower Motor Group - Belt Drive			
73		Belt	See Blower Motor Group - Belt Drive			

No.	Notes	MODEL TECHNICAL VARIATION COOLING CAPACITY ELECTRICAL DESIGNATION DRIVE PACKAGE	RJPL-	RJPL-	RJPL-	RJPL-
			A 048 C L	A 048 C M	A 048 D L	A 048 D M
<b>BLOWER ASSEMBLY - BELT DRIVE</b>						
59	Stk	Blower Assembly (Items 60-63, 65-70 excluding item 69b)	AS-101336-01	AS-101336-05	AS-101336-01	AS-101336-05
60		Housing	AS-101341-01	AS-101341-01	AS-101341-01	AS-101341-01
61	Stk	Bearing Frame Tri-Arm (2)	70-41723-03	70-41723-03	70-41723-03	70-41723-03
62	Stk	Ball Bearing and Cushion (2)	<a href="#">70-41911-01</a>	<a href="#">70-41911-01</a>	<a href="#">70-41911-01</a>	<a href="#">70-41911-01</a>
63	Stk	Blower Shaft	<a href="#">70-21933-02</a>	<a href="#">70-21933-02</a>	<a href="#">70-21933-02</a>	<a href="#">70-21933-02</a>
64	Stk	Fixed Pitch Sheave	71-21932-04	71-21932-03	71-21932-04	71-21932-03
65		Blower Support - Left	AE-58950-02	AE-58950-02	AE-58950-02	AE-58950-02
66	Stk	Wheel	<a href="#">70-23589-01</a>	<a href="#">70-23589-01</a>	<a href="#">70-23589-01</a>	<a href="#">70-23589-01</a>
67		Cut-Off Tabulation	<a href="#">AE-64401-05</a>	<a href="#">AE-64401-05</a>	<a href="#">AE-64401-05</a>	<a href="#">AE-64401-05</a>
71		Blower Motor	See Blower Motor Group - Belt Drive			
72		Variable Pitch Sheave	See Blower Motor Group - Belt Drive			
73		Belt	See Blower Motor Group - Belt Drive			

No.	Notes	MODEL TECHNICAL VARIATION COOLING CAPACITY ELECTRICAL DESIGNATION DRIVE PACKAGE	RJPL-	RJPL-	RJPL-	RJPL-
			A 060 C L	A 060 C M	A 060 D L	A 060 D M
<b>BLOWER ASSEMBLY - BELT DRIVE</b>						
59	Stk	Blower Assembly (Items 60-63, 65-70 excluding item 69b)	AS-101336-05	AS-101336-05	AS-101336-05	AS-101336-05
60		Housing	AS-101341-01	AS-101341-01	AS-101341-01	AS-101341-01
61	Stk	Bearing Frame Tri-Arm (2)	70-41723-03	70-41723-03	70-41723-03	70-41723-03
62	Stk	Ball Bearing and Cushion (2)	<a href="#">70-41911-01</a>	<a href="#">70-41911-01</a>	<a href="#">70-41911-01</a>	<a href="#">70-41911-01</a>
63	Stk	Blower Shaft	<a href="#">70-21933-02</a>	<a href="#">70-21933-02</a>	<a href="#">70-21933-02</a>	<a href="#">70-21933-02</a>
64	Stk	Fixed Pitch Sheave	71-21932-03	71-21932-03	71-21932-03	71-21932-03
65		Blower Support - Left	AE-58950-02	AE-58950-02	AE-58950-02	AE-58950-02
66	Stk	Wheel	<a href="#">70-23589-01</a>	<a href="#">70-23589-01</a>	<a href="#">70-23589-01</a>	<a href="#">70-23589-01</a>
67		Cut-Off Tabulation	<a href="#">AE-64401-05</a>	<a href="#">AE-64401-05</a>	<a href="#">AE-64401-05</a>	<a href="#">AE-64401-05</a>
71		Blower Motor	See Blower Motor Group - Belt Drive			
72		Variable Pitch Sheave	See Blower Motor Group - Belt Drive			
73		Belt	See Blower Motor Group - Belt Drive			

No.	Notes	MODEL TECHNICAL VARIATION COOLING CAPACITY ELECTRICAL DESIGNATION DRIVE PACKAGE	RJPL- A 036 C L	RJPL- A 036 C M	RJPL- A 036 D L	RJPL- A 036 D M
<b>BLOWER MOTOR GROUP - BELT DRIVE</b>						
71	Stk	Blower Motor	51-42579-01	51-21909-01	51-42579-01	51-21909-01
72	Stk	Variable Pitch Sheave	71-40427-30	71-40427-25	71-40427-30	71-40427-25
73	Stk	Belt	71-40235-43	71-40235-43	71-40235-43	71-40235-43

No.	Notes	MODEL TECHNICAL VARIATION COOLING CAPACITY ELECTRICAL DESIGNATION DRIVE PACKAGE	RJPL- A 042 C L	RJPL- A 042 C M	RJPL- A 042 D L	RJPL- A 042 D M
<b>BLOWER MOTOR GROUP - BELT DRIVE</b>						
71	Stk	Blower Motor	51-42579-01	51-21909-01	51-42579-01	51-21909-01
72	Stk	Variable Pitch Sheave	71-40427-30	71-40427-25	71-40427-30	71-40427-25
73	Stk	Belt	71-40235-43	71-40235-43	71-40235-43	71-40235-43

No.	Notes	MODEL TECHNICAL VARIATION COOLING CAPACITY ELECTRICAL DESIGNATION DRIVE PACKAGE	RJPL- A 048 C L	RJPL- A 048 C M	RJPL- A 048 D L	RJPL- A 048 D M
<b>BLOWER MOTOR GROUP - BELT DRIVE</b>						
71	Stk	Blower Motor	51-42579-01	51-21909-01	51-42579-01	51-21909-01
72	Stk	Variable Pitch Sheave	71-40427-30	71-40427-25	71-40427-30	71-40427-25
73	Stk	Belt	71-40235-43	71-40235-43	71-40235-43	71-40235-43

No.	Notes	MODEL TECHNICAL VARIATION COOLING CAPACITY ELECTRICAL DESIGNATION DRIVE PACKAGE	RJPL- A 060 C L	RJPL- A 060 C M	RJPL- A 060 D L	RJPL- A 060 D M
<b>BLOWER MOTOR GROUP - BELT DRIVE</b>						
71	Stk	Blower Motor	51-21909-01	51-41936-01	51-21909-01	51-41936-01
72	Stk	Variable Pitch Sheave	71-40427-29	71-40427-25	71-40427-29	71-40427-25
73	Stk	Belt	71-40235-42	71-40235-43	71-40235-42	71-40235-43

No.	Notes	MODEL TECHNICAL VARIATION COOLING CAPACITY ELECTRICAL DESIGNATION DRIVE PACKAGE	RJPL- A 036-060 C/D L/M			
<b>BLOWER MOTOR MOUNTING - BELT DRIVE</b>						
68		Blower Bracket	AE-101124-01			
69		Blower Bracket - Drive Side	AE-101124-04			
69a		Grommet - (Flat)	56-18518-04			
69b		Cross Brace	AE-101467-01			
70		Motor Mount Assembly	AS-101340-01			

No.	Notes	MODEL TECHNICAL VARIATION COOLING CAPACITY	RJPL- A 036	RJPL- A 042	RJPL- A 048	RJPL- A 060
<b>COIL GROUP</b>						
<b>EVAPORATOR COIL:</b>						
74	Stk	Evaporator Coil	AS-102377-03	AS-102377-03	AS-102026-03	AS-102026-03
	Stk	Distributor Assembly	83-100844-08	83-100844-08	83-100844-09	83-100844-09
76		Top Air Stop	AE-58933-01	AE-58933-01	AE-58933-01	AE-58933-01
77		Top Coil Support	AE-58941-01	AE-58941-01	AE-58941-01	AE-58941-01
78	Stk	Indoor Coil Drain Pan	<a href="#">68-23559-01</a>	<a href="#">68-23559-01</a>	<a href="#">68-23559-01</a>	<a href="#">68-23559-01</a>
		Filter Keeper	AE-59168-01	AE-59168-01	AE-59168-01	AE-59168-01
84		Filter Channels (Center is two channels back-to-back) (3)	AE-58934-01	AE-58934-01	AE-58934-01	AE-58934-01
85		Filter - Disposable 16 x 25 x 1 (2)	54-17531-10	54-17531-10	54-17531-10	54-17531-10
	Stk	Filter Drier (Before W1815)	<a href="#">83-41714-03</a>	<a href="#">83-41714-03</a>	83-41714-04	83-41714-04
	Stk	Filter Drier (On or After W1815)	83-41719-02	83-41719-02	83-41714-06	83-41714-06
<b>CONDENSER COIL:</b>						
82	Stk	Condenser Coil	AS-102376-03	AS-102376-03	AS-102383-01	AS-102383-01
	Stk	Distributor Assembly	83-102378-01	83-102378-01	83-102378-02	83-102378-02
<b>REFRIGERATION:</b>						
79	Stk	TXV	<a href="#">61-102213-06</a>	<a href="#">61-102211-18</a>	61-102211-19	<a href="#">61-102211-20</a>
80	Stk,2	Reversing Valve - See Note 2	<a href="#">61-102498-06</a>	<a href="#">61-102498-06</a>	<a href="#">61-102498-06</a>	61-102498-03
81	Stk	Solenoid Coil	61-101713-03	61-101713-03	61-101713-03	61-101713-03
	Stk	Wiring Harness - Reversing Valve	61-26149-01	61-26149-01	61-26149-01	61-26149-01

No.	Notes	MODEL TECHNICAL VARIATION COOLING CAPACITY ELECTRICAL DESIGNATION	RJPL- A 036 C	RJPL- A 036 D	RJPL- A 036 J
<b>COMPRESSOR GROUP</b>					
		<b>Compressor ID:</b>	<b>7640/8434</b>	<b>7641/8435</b>	<b>7642/8436</b>
86	Stk	Compressor	55-102045-05S	55-102045-04S	55-102045-03S
35a	Stk	Capacitor - Fan/Compressor	N/A	N/A	43-26271-41
	Stk	Compressor Wiring Harness (Molded Plug)	45-100834-80	45-100834-80	45-100834-80
		Filter Drier	See Coil Group		

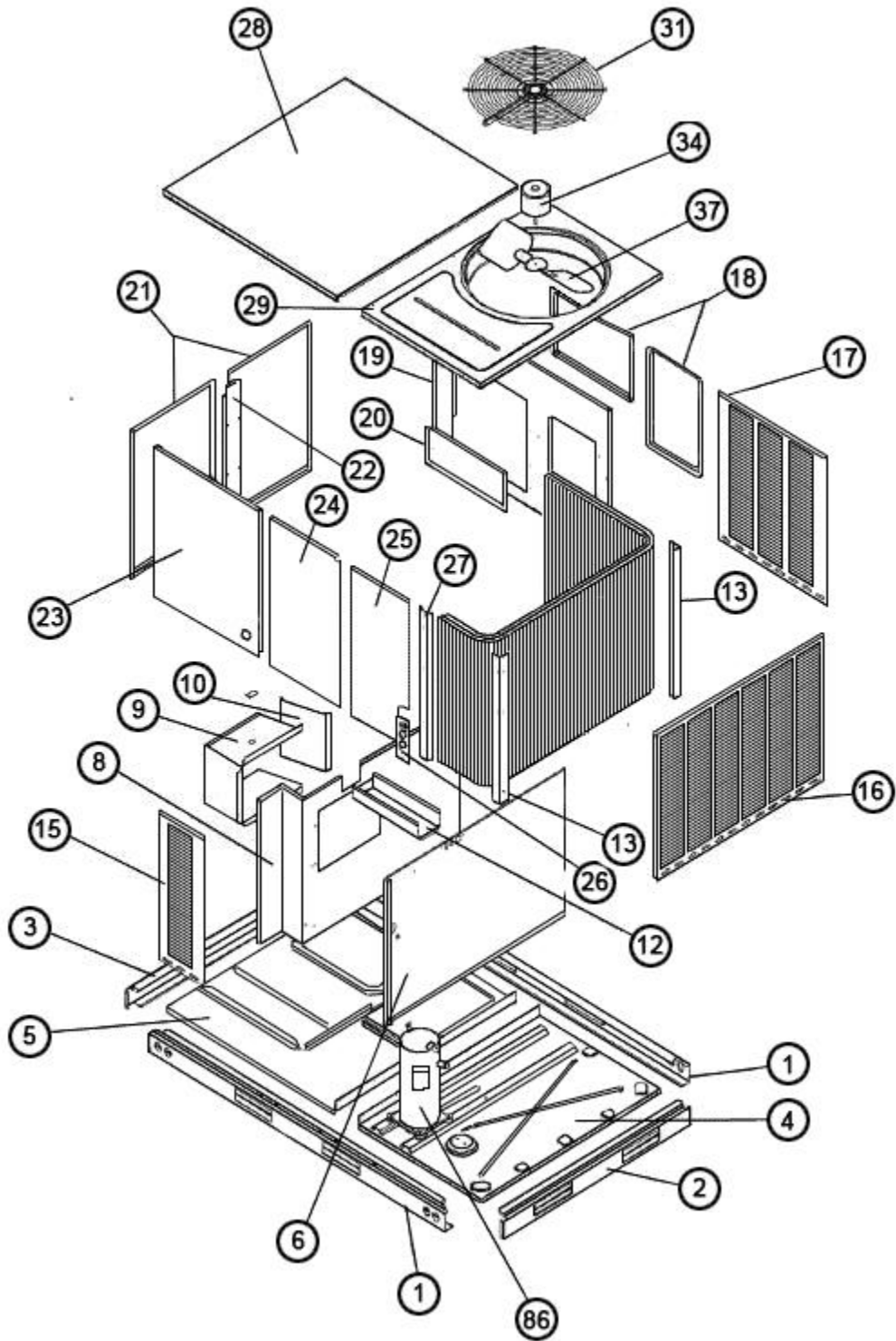
No.	Notes	MODEL TECHNICAL VARIATION COOLING CAPACITY ELECTRICAL DESIGNATION	RJPL- A 042 C	RJPL- A 042 D	RJPL- A 042 J
<b>COMPRESSOR GROUP</b>					
		<b>Compressor ID:</b>	<b>7643/8437</b>	<b>7644/8438</b>	<b>7645/8439</b>
86	Stk	Compressor	55-102045-16S	55-102045-25S	55-102045-12S
35a	Stk	Capacitor - Fan/Compressor	N/A	N/A	43-26271-41
	Stk	Compressor Wiring Harness (Molded Plug)	45-100834-80	45-100834-80	45-100834-80
		Filter Drier	See Coil Group		

No.	Notes	MODEL TECHNICAL VARIATION COOLING CAPACITY ELECTRICAL DESIGNATION	RJPL- A 048 C	RJPL- A 048 D	RJPL- A 048 J
<b>COMPRESSOR GROUP</b>					
		<b>Compressor ID:</b>	<b>7646/8440</b>	<b>7647/8441</b>	<b>7648/8442</b>
86	Stk	Compressor	55-102045-11S	55-102045-10S	55-102045-09S
35a	Stk	Capacitor - Fan/Compressor	N/A	N/A	43-26261-43
	Stk	Compressor Wiring Harness (Molded Plug)	45-100834-80	45-100834-80	45-100834-80
		Filter Drier	See Coil Group		

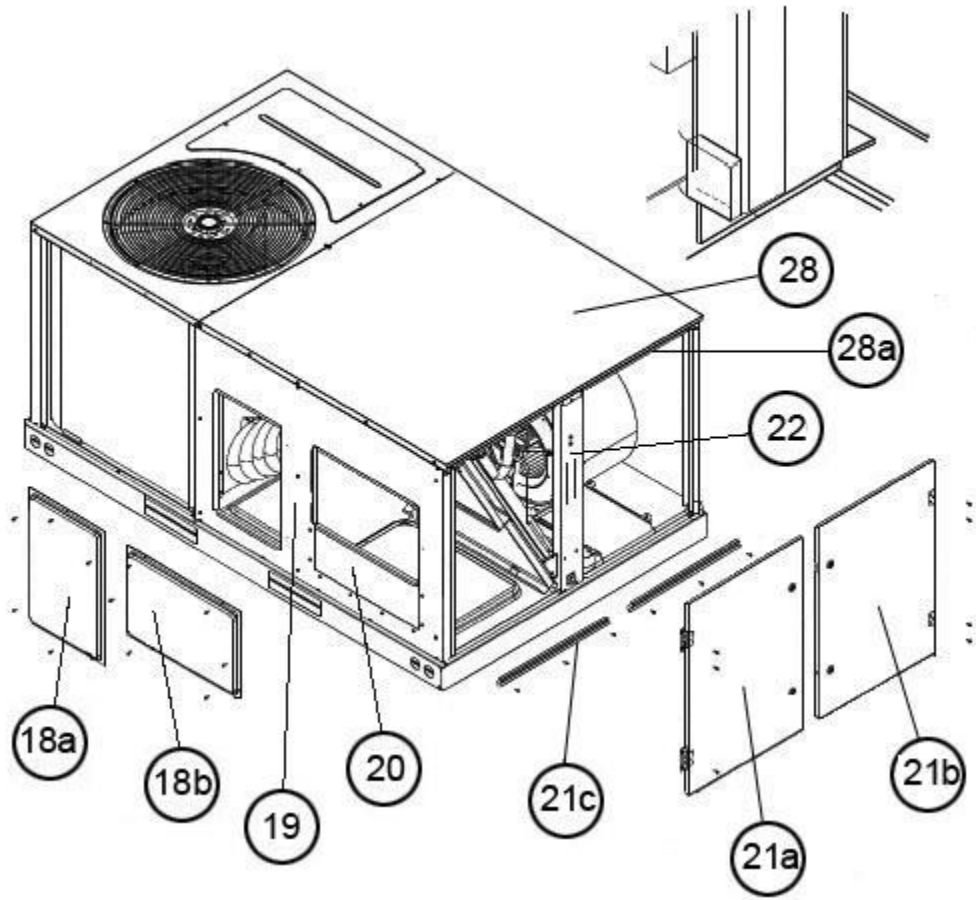
No.	Notes	MODEL TECHNICAL VARIATION COOLING CAPACITY ELECTRICAL DESIGNATION	RJPL- A 060 C	RJPL- A 060 D	RJPL- A 060 J
<b>COMPRESSOR GROUP</b>					
		<b>Compressor ID:</b>	<b>7649/8443</b>	<b>7650/8444</b>	<b>7651/8445</b>
86	Stk	Compressor	55-102045-27S	55-102045-28S	55-102045-26S
35a	Stk	Capacitor - Fan/Compressor	N/A	N/A	43-26271-47
	Stk	Compressor Wiring Harness (Molded Plug)	45-100834-80	45-100834-80	45-100834-80
		Filter Drier	See Coil Group		

No.	Notes	MODEL TECHNICAL VARIATION COOLING CAPACITY ELECTRICAL DRIVE PACKAGE	RJPL- A 036-060 C K/L/M	RJPL- A 036-060 D K/L/M	RJPL- A 036-060 J K
<b>HEATER KITS</b>					
		Heater Kit	RXJJ-A06C	RXJJ-A06D	RXJJ-A06J
		Heater Kit	RXJJ-A10C	RXJJ-A10D	RXJJ-A10J
		Heater Kit - (Canada Only)	RXJJ-A11C	RXJJ-A11D	RXJJ-A11J
		Heater Kit	RXJJ-A12C	RXJJ-A12D	RXJJ-A12J
		Heater Kit	RXJJ-A15C	RXJJ-A15D	RXJJ-A15J
		Heater Kit	RXJJ-A20C	RXJJ-A20D	RXJJ-A20J
		Heater Kit - (Canada Only)	RXJJ-A21C	RXJJ-A21D	RXJJ-A21J

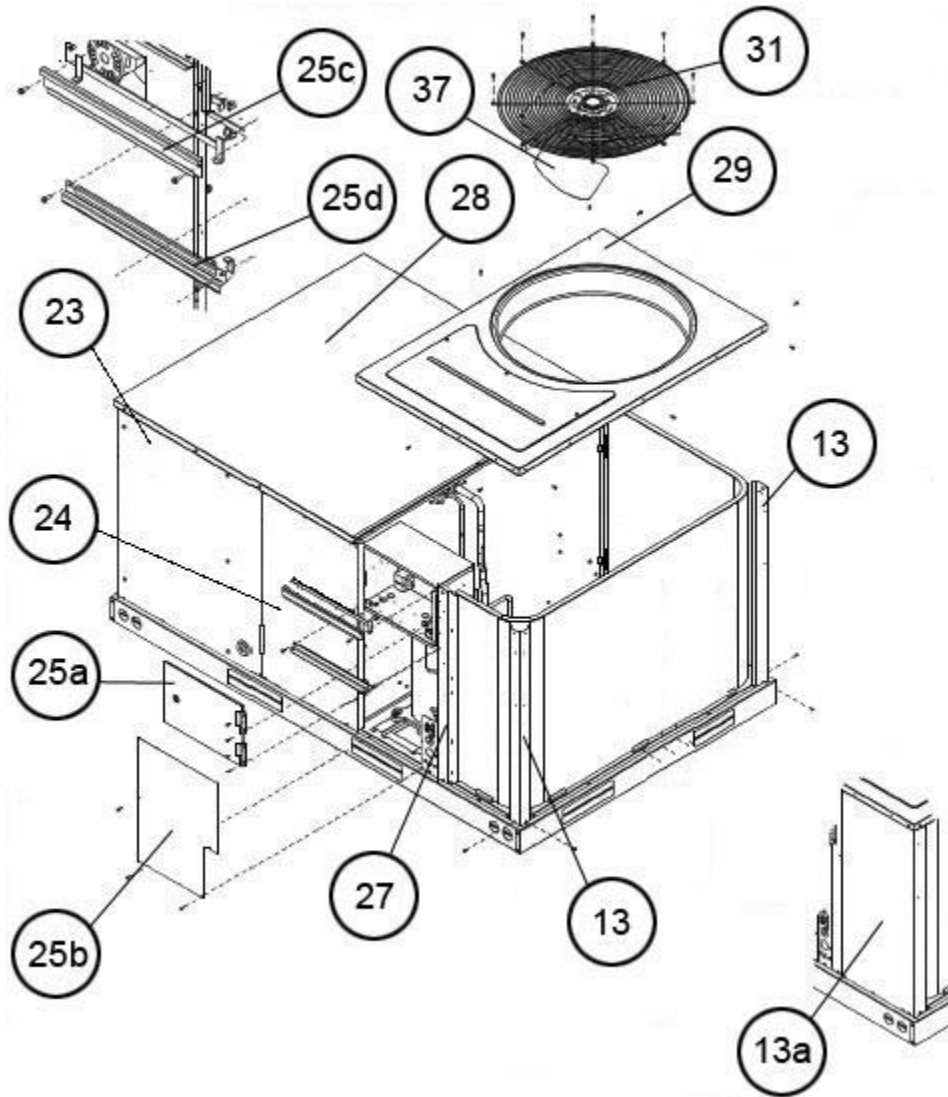
No.	Notes	MODEL TECHNICAL VARIATION COOLING CAPACITY	RJPL- A ALL		
<b>OPTIONS AND ACCESSORIES</b>					
		Economizer - Fully Modulating with Single Enthalpy	RXRD-MECM3		
		Dual Enthalpy Kit	RXRX-AV02		
		CO2 Sensor	RXRX-AR02		
		Power Exhaust - C Voltage	RXRX-BGF04C		
		Power Exhaust - D Voltage	RXRX-BGF04D		
		Fresh Air Damper Manual	RXRF-FBA1		
		Fresh Air Damper Motorized	RXRF-FBB1		
		Louver Kit - (3 Sides)	RXRX-AAD01B		
		Time Delay	RXMD-B01		
		Low Ambient Control	RXPZ-G01		



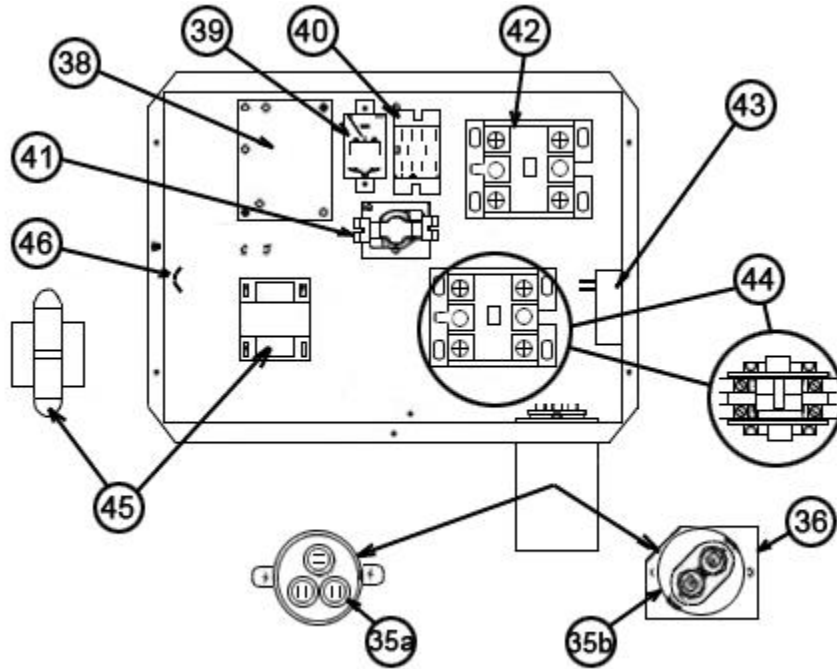
Exploded View



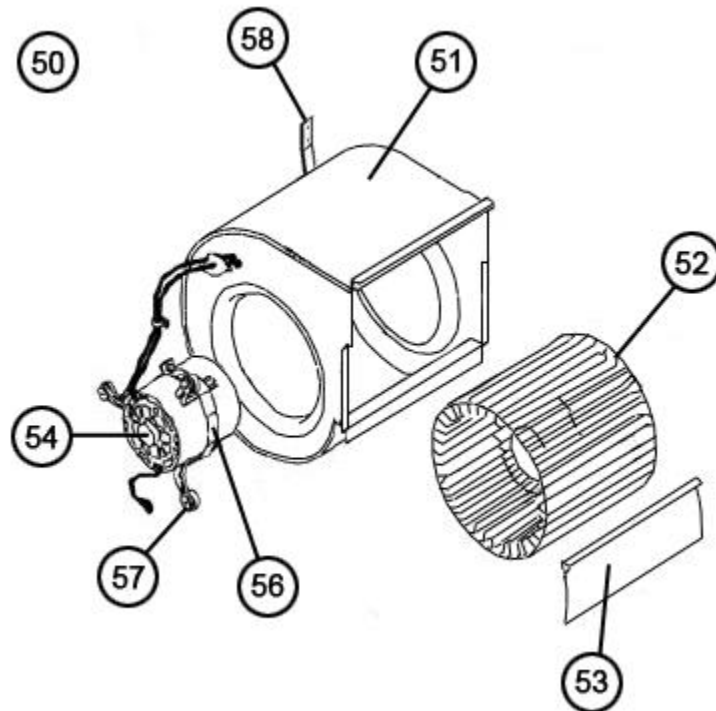
End Panel View (Hinged Panels)



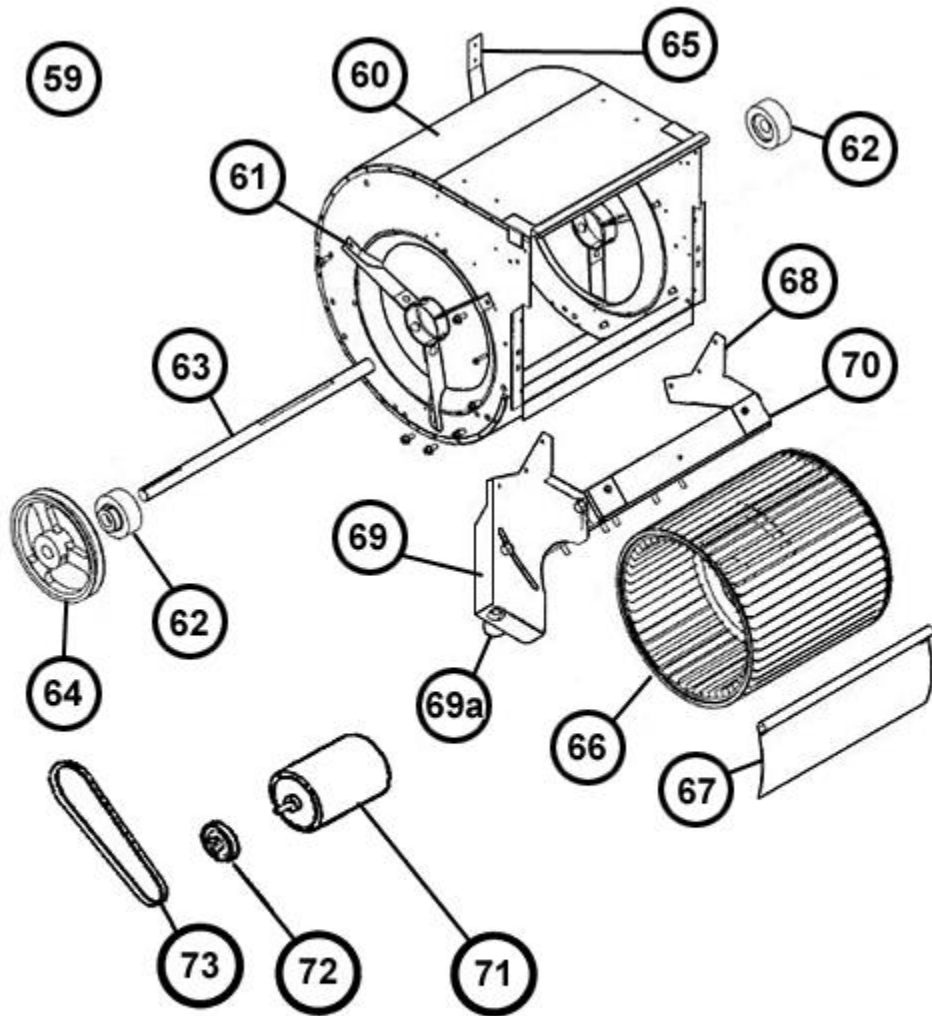
Top Panel (Hinged Panels)



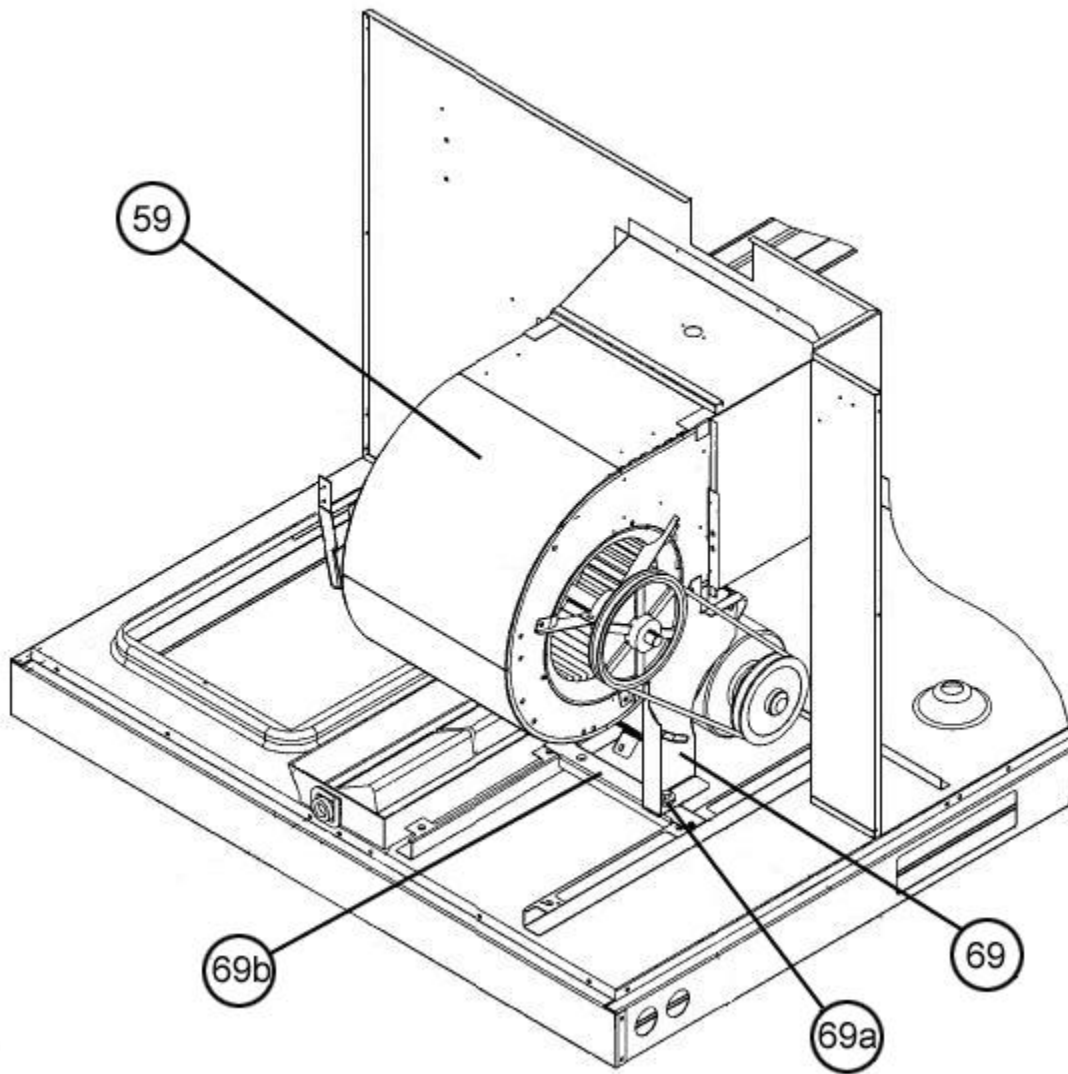
Control Box



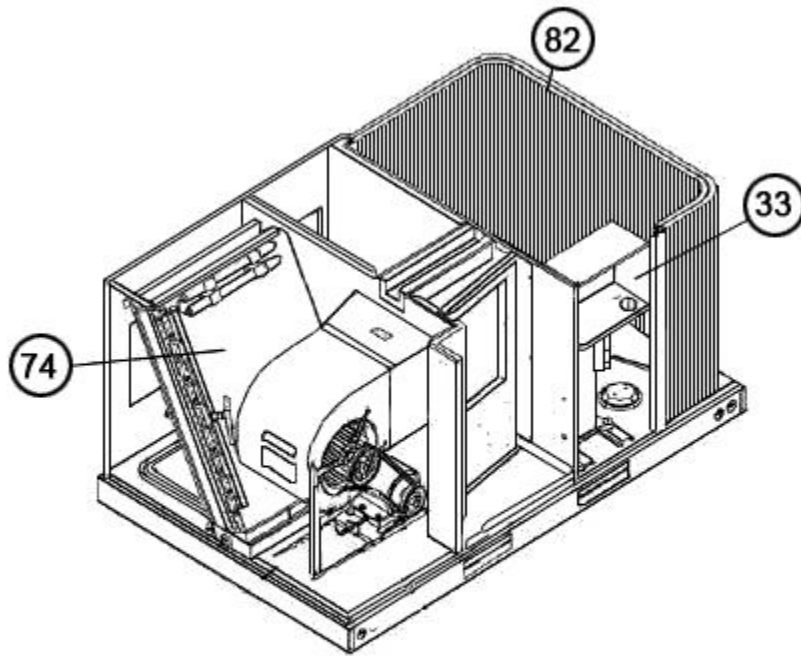
Blower Parts - Direct Drive



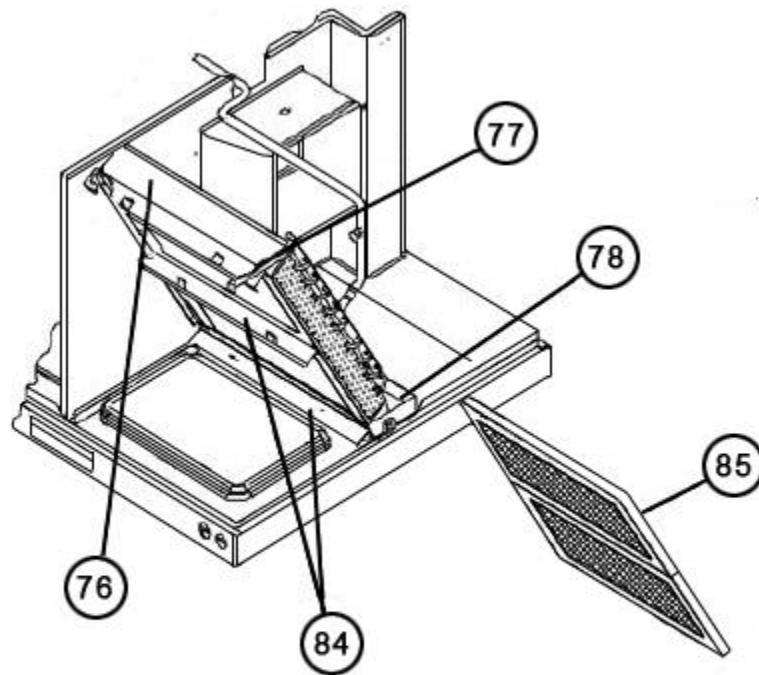
Blower Parts - Belt Drive



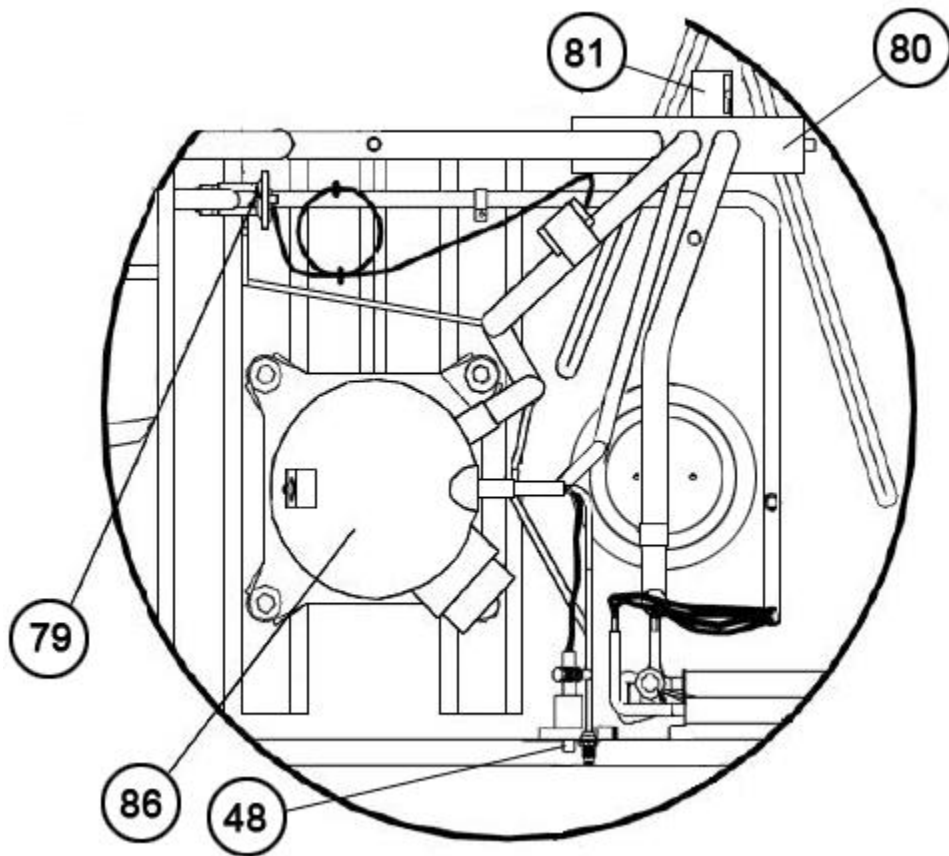
Blower Mounting - Belt Drive



Coil Group Cut-away View



Evaporator Coil - Filter Parts



Compressor - Refrigerator Group

# NOTES

Stk It is recommended that stock be maintained for this part.

N/A Not Applicable

1 Defrost Relay is mounted on Defrost Control Board.

2 Reversing Valve may be different than originally supplied with unit. The replacement provides improved shifting performance.

**DISCLAIMER:** This document is intended to provide general replacement parts information to aid qualified service personnel in the repair of these models. The complete Model and Serial Number of the unit under repair should be specified when selecting and ordering replacement parts. Specifications and illustrations are subject to change without notice. Document 92-42800-RJPL-A supersedes all previous parts lists for these models. See <http://www.rheempartslists.net/92-42800-RJPL-A> for the latest revision of this document. The manufacturer assumes no obligation for errors or omissions. Service personnel must verify the proper and safe operation of equipment after the replacement of any original components.