



# RJNL-C

Parts List  
13-January-2020



*This parts list is current as of the above revision date.  
See <http://www.rheempartslists.net/92-42800-RJNL-C.pdf> for the current revision.*

**Package Heat Pumps - Commercial**

# Table of Contents

Model Explanation .....	Page 3
<b>Parts Numbers</b>	
Panels - Miscellaneous (Granite-Steel Gray) 036-072 .....	Page 4
Panels - Miscellaneous (Neutra Green) 036-072 .....	Page 5
Panels - Miscellaneous (Granite-Steel Gray) 090-120 (1) .....	Page 6
Panels - Miscellaneous (Granite-Steel Gray) 090-120 (2) .....	Page 7
Panels - Miscellaneous (Neutra Green) 090-120 (1) .....	Page 8
Panels - Miscellaneous (Neutra Green) 090-120 (2) .....	Page 9
Electrical Group 036-072 .....	Page 10
Electrical Group 090-120 (1) .....	Page 11
Electrical Group 090-120 (2) .....	Page 12
Fan Group 036-072 .....	Page 13
Fan Group 090-120 .....	Page 14
Blower Group 036-048 .....	Page 15
Blower Group 060-072 .....	Page 16
Blower Group 090-120 .....	Page 17
Coil Parts .....	Page 18
Compressor Group 036-072 .....	Page 19
Compressor Group 090-120 .....	Page 20
Heater Kits .....	Page 21
Accessories (1) .....	Page 22
Accessories (2) .....	Page 23
<b>Drawings/Photographs</b>	
Exploded View 036-072 .....	Page 24
Top Panel View 036-072 .....	Page 25
Control Box 036-072 .....	Page 26
Blower Parts - Belt Drive 036-072 .....	Page 27
Blower Mounting - Belt Drive 036-072 .....	Page 28
Coil Group Cut-away View 036-072 .....	Page 29
Evaporator Coil - Filter Parts 036-072 .....	Page 29
Compressor - Refrigerator Group 036-072 .....	Page 30
Exploded View 090-120 .....	Page 31
Exterior - Front 090-120 .....	Page 32
Front Panel Brackets 090-120 .....	Page 33
Exterior - Back 090-120 .....	Page 34
Filter Frame Assembly 090-120 .....	Page 35
Filter-Coil Assembly 090-120 .....	Page 35
Blower Assembly 090-120 .....	Page 36
Control Box 090-120 .....	Page 37
Low Voltage Shields 090-120 .....	Page 38
Notes/Disclaimer .....	Page 39

**MODEL NUMBER EXPLANATION**

<b>R</b>	<b>J</b>	<b>N</b>	<b>L</b>	<b>-</b>	<b>C</b>	<b>090</b>	<b>C</b>	<b>L</b>	<b>000</b>	<b>AA</b>	<b>B</b>
1	2	3	4		5	6	7	8	9	10	11

- |   |  |
|---|--|
| <p><b>1</b>      <b>TRADE NAME</b></p> <p><b>2</b>      <b>J = PACKAGE HEAT PUMP</b><br/>            <b>Commercial</b></p> <p><b>3</b>      <b>EFFICIENCY DESIGNATION</b><br/>            N = 13 SEER (11 EER - 6 TON)</p> <p><b>4</b>      <b>DESIGN SERIES</b><br/>            L = R-410A</p> <p><b>5</b>      <b>TECHNICAL VARIATION</b></p> <p><b>6</b>      <b>COOLING CAPACITY (BTU/HR)</b><br/>            036 = 36,000<br/>            042 = 42,000<br/>            048 = 48,000<br/>            060 = 60,000<br/>            072 = 72,000<br/>            090 = 90,000<br/>            120 = 120,000</p> <p><b>7</b>      <b>ELECTRICAL DESIGNATION</b><br/>            C = 208-230/3/60<br/>            D = 460/3/60<br/>            Y = 575/3/60</p> | <p><b>8</b>      <b>DRIVE PACKAGE</b><br/>            L = Belt Drive<br/>            M = Belt Drive - High Static<br/>            N = Belt Drive - High Static 090 Only</p> <p><b>9</b>      <b>ELECTRIC HEAT- (Resistance Heat)</b><br/>            000 = No Resistance Heat<br/>            006 = 6 kW Resistance Heat<br/>            010 = 10 kW Resistance Heat<br/>            012 = 12 kW Resistance Heat<br/>            015 = 15 kW Resistance Heat<br/>            020 = 20 kW Resistance Heat<br/>            024 = 24 kW Resistance Heat<br/>            030 = 30 kW Resistance Heat<br/>            040 = 40 kW Resistance Heat</p> <p><b>10</b>     <b>OPTION CODES - FACTORY INSTALLED</b></p> <p><b>11</b>     <b>ECONOMIZER OPTIONS</b></p> |
|---|--|

**SERIAL NUMBER EXPLANATION**

<b>1234</b>	<b>F</b>	<b>50</b>	<b>08</b>	<b>00001</b>
1	2	3	4	5

- 1**      **COMPRESSOR IDENTIFICATION NUMBER**
- 2**      **PRODUCTION LOCATION:**
- 3**      **WEEK OF PRODUCTION**
- 4**      **YEAR OF PRODUCTION**
- 5**      **PRODUCTION NUMBER**

No.	Notes	MODEL TECHNICAL VARIATION COOLING CAPACITY	RJNL- C 036-060	RJNL- C 072
<b>PANELS, MISCELLANEOUS PARTS (Granite Steel Gray - After F4411)</b>				
1		Base Rail - Side (2)	AE-58900-01	AE-58900-02
2		Base Rail - Condenser End	AE-58901-01	AE-58901-01
3		Base Rail - Evaporator End	AE-58902-01	AE-58902-01
4		Outdoor Coil Base Pan Assembly	AS-59051-01H	AS-59051-01H
5		Indoor Coil Base Pan	AS-58910-05	AS-58910-06
6		Condenser Bulkhead Assembly	AS-103276-02	AS-103276-02
8		Blower Bulkhead (Does not include Blower Extensions, Cover Plate, Insulation Retainer)	AS-103385-01	AS-103385-01
9		Blower Extension - Front	AE-58928-01	AE-58928-01
10		Blower Extension - Back	AE-58928-02	AE-58928-02
		Cover Plate (On the Blower Extension - Front to cover the Limit Control opening)	AE-76216-01	AE-76216-01
		Insulation Retainer	AE-59059-01	AE-59059-01
12		Wire Chase Insulation Assembly	AS-103291-01	AS-103291-01
13a		Corner Post (2)	AS-58965-01H	AS-58965-01H
13b		Center Post	AS-58966-01H	AS-58966-01H
15		Louvered Panel	AS-59028-01H	AS-59028-01H
16		Louvered Panel	AS-59028-03H	AS-59028-03H
17		Louvered Panel	AS-59028-02H	AS-59028-02H
18a		Supply Cover Panel	AS-58992-01H	AS-58992-01H
18b		Return Cover Panel	AS-58992-01H	AS-58992-03H
19		Rear Panel (Includes Insulation, Filler Panel, and Stripping)	AS-58976-01H	AS-58976-02H
20		Return Air Filler	AE-58974-01	AE-58974-02
		Rear Panel Stripping - Cut Length	AE-58897-10	AE-58897-43
21		Blower/Filter Access Panels (2)	AS-58990-01H	AS-58990-01H
22		Post - Left End Assembly	AS-58973-01H	AS-58973-01H
23		Front Panel Insulation Assembly	AS-59132-01H	AS-59132-05H
24		Electric Heat Access Panel	AS-58987-04H	AS-58987-04H
		Electric Heat Mounting Panel Assembly	AS-59122-01	AS-59122-01
25		Control Box Access Door	AS-103284-01H	AS-103284-01H
26a		Control Box Insert Panel	AS-103283-01H	AS-103283-01H
26b		Disconnect Plate	AS-90756-05H	AS-90756-05H
26c		Receptacle Plate	AS-90756-02H	AS-90756-02H
27		Front Post	AS-103288-01H	AS-103288-01H
28		Indoor Coil Top Panel Assembly	AS-58979-01H	AS-58979-02H
29a		Condenser Top Panel	AS-58981-01H	AS-58981-01H
29b		Support - Condenser Top Panel	AE-58980-01	AE-58980-01
31		Wire Grille	<a href="#">95-101660-01</a>	<a href="#">95-101660-01</a>
33		Control Box (w/o components)	AS-103281-01	AS-103281-01
		Control Box Top	AE-103282-01	AE-103282-01
		Filter - Disposable	See Coil Group	See Coil Group
		Button Plug w/Recessed-Type Head (7/8 inch hole)	45-22980-05	45-22980-05
		Button Plug w/Recessed-Type Head (1-3/8 inch hole)	45-22980-09	45-22980-09

No.	Notes	MODEL TECHNICAL VARIATION COOLING CAPACITY	RJNL- C 036-060	RJNL- C 072
<b>PANELS, MISCELLANEOUS PARTS (Neutra Green - Before F4411)</b>				
1		Base Rail - Side (2)	AE-58900-01	AE-58900-02
2		Base Rail - Condenser End	AE-58901-01	AE-58901-01
3		Base Rail - Evaporator End	AE-58902-01	AE-58902-01
4		Outdoor Coil Base Pan Assembly	AS-59051-01A	AS-59051-01A
5		Indoor Coil Base Pan	AS-58910-05	AS-58910-06
6		Condenser Bulkhead Assembly	AS-103276-02	AS-103276-02
8		Blower Bulkhead (Does not include Blower Extensions, Cover Plate, Insulation Retainer)	AS-103385-01	AS-103385-01
9		Blower Extension - Front	AE-58928-01	AE-58928-01
10		Blower Extension - Back	AE-58928-02	AE-58928-02
		Cover Plate (On the Blower Extension - Front to cover the Limit Control opening)	AE-76216-01	AE-76216-01
		Insulation Retainer	AE-59059-01	AE-59059-01
12		Wire Chase Insulation Assembly	AS-103291-01	AS-103291-01
13a		Corner Post (2)	AS-58965-01A	AS-58965-01A
13b		Center Post	AS-58966-01A	AS-58966-01A
15		Louvered Panel	AS-59028-01A	AS-59028-01A
16		Louvered Panel	AS-59028-03A	AS-59028-03A
17		Louvered Panel	AS-59028-02A	AS-59028-02A
18		Supply/Return Cover Panels (2)	AS-58992-01A	AS-58992-01A
19		Rear Panel (Includes Insulation, Filler Panel, and Stripping)	AS-58976-01A	AS-58976-02A
20		Return Air Filler	AE-58974-01	AE-58974-02
		Rear Panel Stripping - Cut Length	AE-58897-10	AE-58897-43
21		Blower/Filter Access Panels (2)	AS-58990-01A	AS-58990-01A
22		Post - Left End Assembly	AS-58973-01A	AS-58973-01A
23		Front Panel Insulation Assembly	AS-59132-01A	AS-59132-05A
24		Electric Heat Access Panel	AS-58987-04A	AS-58987-04A
		Electric Heat Mounting Panel Assembly	AS-59122-01	AS-59122-01
25		Control Box Access Door	AS-103284-01A	AS-103284-01A
26a		Control Box Insert Panel	AS-103283-01A	AS-103283-01A
26b		Disconnect Plate	AS-90756-05A	AS-90756-05A
26c		Receptacle Plate	AS-90756-02A	AS-90756-02A
27		Front Post	AS-103288-01A	AS-103288-01A
28		Indoor Coil Top Panel Assembly	AS-58979-01A	AS-58979-02A
29a		Condenser Top Panel	AS-58981-01A	AS-58981-01A
29b		Support - Condenser Top Panel	AE-58980-01	AE-58980-01
31		Wire Grille	<a href="#">95-101660-01</a>	<a href="#">95-101660-01</a>
33		Control Box (w/o components)	AS-103281-01	AS-103281-01
		Control Box Top	AE-103282-01	AE-103282-01
		Filter - Disposable	See Coil Group	See Coil Group
		Button Plug w/Recessed-Type Head (7/8 inch hole)	45-22980-05	45-22980-05
		Button Plug w/Recessed-Type Head (1-3/8 inch hole)	45-22980-09	45-22980-09

No.	Notes	MODEL TECHNICAL VARIATION COOLING CAPACITY	RJNL- C 090	RJNL- C 120
<b>PANELS - RAILS, BASE PANS, INSIDE CABINET (Granite/Steel Gray, After F4411)</b>				
<b>BASE RAILS:</b>				
A		Base Rail - Front	AE-90575-15	AE-90575-15
B		Base Rail - Right	AE-90576-03	AE-90576-03
C		Base Rail - Rear	AE-90575-04	AE-90575-04
D		Base Rail - Left	AE-90576-04	AE-90576-04
<b>BASE PANS:</b>				
E		Outdoor Coil Base Pan	AS-90583-11H	AS-90583-11H
F		Indoor Coil Base Pan	AS-90577-12	AS-90577-12
<b>INSIDE CABINET:</b>				
G		Entry Plate	AE-90614-02	AE-90614-02
H		Entry Plate	AE-90614-01	AE-90614-01
J		Heat Compartment Side	AE-90598-09	AE-90598-09
K		Blower Deck	AS-90592-13	AS-90592-13
L		Wireway	AE-90718-05	AE-90718-05
M		Condenser Bulkhead	AS-90609-16	AS-90609-24

No.	Notes	MODEL TECHNICAL VARIATION COOLING CAPACITY	RJNL- C 090	RJNL- C 120
<b>PANELS - FRONT (Granite/Steel Gray, After F4411)</b>				
1		Control Box Door Assembly - w/Hinges, Latch, Gasket, Insulation	AS-102872-14H	AS-102872-23H
2a		Bracket - Top Panel (Left)	AS-102859-16H	AS-102859-16H
2b		Bracket - Top Panel (Center)	AS-102859-15H	AS-102859-15H
2c		Post - Blower Section	AS-102682-12H	AS-102682-15H
3a		Bracket - Bottom Panel (Left)	AS-102859-17H	AS-102859-17H
3b		Bracket - Blower/Heater Compartment	AS-102859-14H	AS-102859-14H
3c		Bracket - Bottom Panel (Right)	AS-102859-13H	AS-102859-13H
		Latch Assembly - Control Box Door (2)	64-102855-01	64-102855-01
4		Post Assembly - Indoor Coil Section	AS-90620-19H	AS-90620-20H
5		Control Box Cover	AE-90713-02	AE-90713-06
6		Control Mounting Plate	AE-90712-06	AE-90712-06
7a		Low Voltage Shield (Before F3512) - Upper Straight	AE-90742-08	AE-90742-08
7a		Low Voltage Shield (After F3512) - Upper Angled	AE-90742-12	AE-90742-12
7b		Low Voltage Shield (Before F3512) - Lower	AE-90742-03	AE-90742-10
7b		Low Voltage Shield (After F3512) - Lower	AE-90742-11	AE-90742-13
7c		Low Voltage Shield (Before F3512) - Middle Strip	AE-90742-09	AE-90742-09
7c		Low Voltage Shield (After F3512) - Middle Strip	AE-90742-09	AE-90742-14
8		Control Box Back Insulation Assembly	AS-90601-06	AS-90601-07
9		Mounting Bracket	AE-90779-02	AE-90779-02
10		Electric Heat Blockoff Plate Assembly (models with no heat)	AS-90720-02	AS-90720-02
11		Terminal Block	See Electrical Group	
12		Electric Heat Access Panel Assembly - w/Hinges, Latch, Insulation	AS-102872-18H	AS-102872-18H
		Latch Assembly - Electric Heat Door (2)	64-102855-01	64-102855-01
13		Power Entry Plate Assembly	AS-90774-11H	AS-90774-11H
14		Blower Access Panel Assembly - w/Hinges, Latch, Insulation	AS-102872-16H	AS-102872-22H
		Latch Assembly - Blower Access Panel (3)	64-102855-01	64-102855-01
16		Heat Mounting Frame Assembly	AS-90754-02	AS-90754-02
17		Service Panel Spotweld Assembly	AS-90741-05	AS-90741-05
18		Front Corner Post	AS-90701-06H	AS-90701-07H

No.	Notes	MODEL TECHNICAL VARIATION COOLING CAPACITY	RJNL- C 090	RJNL- C 120
<b>PANELS - RIGHT, REAR AND LEFT SIDES (Granite/Steel Gray, After F4411)</b>				
		<b>RIGHT:</b>		
19		Post	AS-90732-02H	AS-90732-06H
20		Louver Panel Assembly	See Accessories	
		<b>REAR:</b>		
21		Rear Corner Post	AS-90702-02H	AS-90702-05H
23		Rear Panel	AS-90618-02H	AS-90618-09H
24		Supply Cover	AS-90626-02H	AS-90626-02H
25		Return Cover	AS-90628-02H	AS-90628-02H
		<b>LEFT:</b>		
26a		Top Left Panel	N/A	AS-90624-10H
26		Left Panel	AS-90624-03H	AS-90624-03H
27		Lower Left Panel	AS-90624-04H	AS-90624-04H
28		Left Corner Panel	AS-90755-07H	AS-90755-08H
29		Plate - Receptacle	AS-90756-02H	AS-90756-02H
30		Plate - Disconnect	AS-90756-03H	AS-90756-03H
31		Button Plug (2)	45-22980-06	45-22980-06
32		Button Plug	45-22980-05	45-22980-05
		<b>TOP:</b>		
33		Top Panel Assembly	AS-90616-06H	AS-90616-06H
34		Condenser Top Panel	AS-90703-10H	AS-90703-10H
35		Venturi	AS-90632-03H (2)	AS-90632-03H (2)
36		Wire Grille	95-100906-09 (2)	95-100906-09 (2)
43		Drain Pan - Removable	See Coil Group	

No.	Notes	MODEL TECHNICAL VARIATION COOLING CAPACITY	RJNL- C 090	RJNL- C 120
<b>PANELS - RAILS, BASE PANS, INSIDE CABINET (Neutra Green - Before F4411)</b>				
<b>BASE RAILS:</b>				
A		Base Rail - Front	AE-90575-15	AE-90575-15
B		Base Rail - Right	AE-90576-03	AE-90576-03
C		Base Rail - Rear	AE-90575-04	AE-90575-04
D		Base Rail - Left	AE-90576-04	AE-90576-04
<b>BASE PANS:</b>				
E		Outdoor Coil Base Pan	AS-90583-11A	AS-90583-11A
F		Indoor Coil Base Pan	AS-90577-12	AS-90577-12
<b>INSIDE CABINET:</b>				
G		Entry Plate	AE-90614-02	AE-90614-02
H		Entry Plate	AE-90614-01	AE-90614-01
J		Heat Compartment Side	AE-90598-09	AE-90598-09
K		Blower Deck	AS-90592-13	AS-90592-13
L		Wireway	AE-90718-05	AE-90718-05
M		Condenser Bulkhead	AS-90609-16	AS-90609-24

No.	Notes	MODEL TECHNICAL VARIATION COOLING CAPACITY	RJNL- C 090	RJNL- C 120
<b>PANELS - FRONT (Neutra Green - Before F4411)</b>				
1		Control Box Door Assembly - w/Hinges, Latch, Gasket, Insulation	AS-102872-14A	AS-102872-23A
2a		Bracket - Top Panel (Left)	AS-102859-16A	AS-102859-16A
2b		Bracket - Top Panel (Center)	AS-102859-15A	AS-102859-15A
2c		Post - Blower Section	AS-102682-12A	AS-102682-15A
3a		Bracket - Bottom Panel (Left)	AS-102859-17A	AS-102859-17A
3b		Bracket - Blower/Heater Compartment	AS-102859-14A	AS-102859-14A
3c		Bracket - Bottom Panel (Right)	AS-102859-13A	AS-102859-13A
		Latch Assembly - Control Box Door (2)	64-102855-01	64-102855-01
4		Post Assembly - Indoor Coil Section	AS-90620-19A	AS-90620-20A
5		Control Box Cover	AE-90713-02	AE-90713-06
6		Control Mounting Plate	AE-90712-06	AE-90712-06
7a		Low Voltage Shield - Upper	AE-90742-08	AE-90742-08
7b		Low Voltage Shield - Lower	AE-90742-03	AE-90742-10
7c		Low Voltage Shield - Middle Strip	AE-90742-09	AE-90742-09
8		Control Box Back Insulation Assembly	AS-90601-06	AS-90601-07
9		Mounting Bracket	AE-90779-02	AE-90779-02
10		Electric Heat Blockoff Plate Assembly (models with no heat)	AS-90720-02	AS-90720-02
11		Terminal Block	See Electrical Group	
12		Electric Heat Access Panel Assembly - w/Hinges, Latch, Insulation	AS-102872-18A	AS-102872-18A
		Latch Assembly - Electric Heat Door (2)	64-102855-01	64-102855-01
13		Power Entry Plate Assembly	AS-90774-11A	AS-90774-11A
14		Blower Access Panel Assembly - w/Hinges, Latch, Insulation	AS-102872-16A	AS-102872-22A
		Latch Assembly - Blower Access Panel (3)	64-102855-01	64-102855-01
16		Heat Mounting Frame Assembly	AS-90754-02	AS-90754-02
17		Service Panel Spotweld Assembly	AS-90741-05	AS-90741-05
18		Front Corner Post	AS-90701-06A	AS-90701-07A

No.	Notes	MODEL TECHNICAL VARIATION COOLING CAPACITY	RJNL- C 090	RJNL- C 120
<b>PANELS - RIGHT, REAR AND LEFT SIDES (Neutra Green - Before F4411)</b>				
		<b>RIGHT:</b>		
19		Post	AS-90732-02A	AS-90732-06A
20		Louver Panel Assembly	See Accessories	
		<b>REAR:</b>		
21		Rear Corner Post	AS-90702-02A	AS-90702-05A
23		Rear Panel	AS-90618-02A	AS-90618-09A
24		Supply Cover	AS-90626-02A	AS-90626-02A
25		Return Cover	AS-90628-02A	AS-90628-02A
		<b>LEFT:</b>		
26a		Top Left Panel	N/A	AS-90624-10A
26		Left Panel	AS-90624-03A	AS-90624-03A
27		Lower Left Panel	AS-90624-04A	AS-90624-04A
28		Left Corner Panel	AS-90755-07A	AS-90755-08A
29		Plate - Receptacle	AS-90756-02A	AS-90756-02A
30		Plate - Disconnect	AS-90756-03A	AS-90756-03A
31		Button Plug (2)	45-22980-06	45-22980-06
32		Button Plug	45-22980-05	45-22980-05
		<b>TOP:</b>		
33		Top Panel Assembly	AS-90616-06A	AS-90616-06A
34		Condenser Top Panel	AS-90703-10A	AS-90703-10A
35		Venturi	AS-90632-03A (2)	AS-90632-03A (2)
36		Wire Grille	95-100906-09 (2)	95-100906-09 (2)
43		Drain Pan - Removable	See Coil Group	

No.	Notes	MODEL TECHNICAL VARIATION COOLING CAPACITY ELECTRICAL DESIGNATION	RJNL- C 036-060 C	RJNL- C 072 C
<b>ELECTRICAL GROUP</b>				
		Outlet Box	45-41952-02	45-41952-02
		Receptacle Cover	45-41953-02	45-41953-02
		Receptacle - Ground Fault	45-41954-01	45-41954-01
		Pressure Switch Assembly - (Clogged Filter and Fan Proving)	42-103320-26	42-103320-26
		Low Ambient Control	See Accessories	
47		Low Pressure Control	47-102240-04	47-102240-04
48	Stk	High Pressure Control	47-23699-04	47-23699-04
<b>CONTROL BOX COMPONENTS:</b>				
35		Capacitor (Fan Only)	See Fan Group	
		Strap - Capacitor	AE-50892-01	AE-50892-01
36		Comfort Alert	42-101504-03	42-101504-03
38		Low Voltage Shield	AE-103285-01	AE-103285-01
40a	Stk	Accessory Relay	42-102234-01	42-102234-01
40b	Stk	Defrost Relay	42-102234-01	42-102234-01
42	Stk	Blower Contactor - Belt Drive	42-22464-01	42-22464-01
44	Stk	Compressor Contactor	42-22464-01	42-22464-01
45	Stk	Control Transformer	46-103324-04	46-103324-04
46		Unit Controller (RTU-C)	47-102883-01	47-102883-01
<b>WIRING HARNESES:</b>				
		Wiring Harness - Twist Loc 6 Pin to (6 Pin 3 Strip Leads)	45-102819-03	45-102819-03
		Jumper - 7 Pin Connector (Unit Configuration)	45-42522-101	45-42522-101
		Wiring Harness - Economizer (8 Pin and 9 Pin) to (12 Pin, 4 Pin, 4 Connectors, and 2 Sensors) - See Note 1	45-42522-107	45-42522-107
		Wiring Harness - Compressor Control 14 Pin to (two 2 Pin Connectors and 2 Sensors) - See Note 1	45-42522-111	45-42522-111
		Wiring Harness - 12 Pin Connector to (EMF Plug, Sensor, and 2 Terminals)	45-42522-112	45-42522-112

No.	Notes	MODEL TECHNICAL VARIATION COOLING CAPACITY ELECTRICAL DESIGNATION	RJNL- C 036-060 D	RJNL- C 072 D
<b>ELECTRICAL GROUP</b>				
		Outlet Box	45-41952-02	45-41952-02
		Receptacle Cover	45-41953-02	45-41953-02
		Receptacle - Ground Fault	45-41954-01	45-41954-01
		Pressure Switch Assembly - (Clogged Filter and Fan Proving)	42-103320-26	42-103320-26
		Low Ambient Control	See Accessories	
47		Low Pressure Control	47-102240-04	47-102240-04
48	Stk	High Pressure Control	47-23699-04	47-23699-04
<b>CONTROL BOX COMPONENTS:</b>				
35		Capacitor (Fan Only)	See Fan Group	
		Strap - Capacitor	AE-50892-01	AE-50892-01
36		Comfort Alert	42-101504-03	42-101504-03
38		Low Voltage Shield	AE-103285-01	AE-103285-01
40a	Stk	Accessory Relay	42-102234-01	42-102234-01
40b	Stk	Defrost Relay	42-102234-01	42-102234-01
42	Stk	Blower Contactor - Belt Drive	42-22464-01	42-22464-01
44	Stk	Compressor Contactor	42-22464-01	42-22464-01
45	Stk	Control Transformer	46-103395-05	46-103395-05
46		Unit Controller (RTU-C)	47-102883-01	47-102883-01
<b>WIRING HARNESES:</b>				
		Wiring Harness - Twist Loc 6 Pin to (6 Pin 3 Strip Leads)	45-102819-03	45-102819-03
		Jumper - 7 Pin Connector (Unit Configuration)	45-42522-101	45-42522-101
		Wiring Harness - Economizer (8 Pin and 9 Pin) to (12 Pin, 4 Pin, 4 Connectors, and 2 Sensors) - See Note 1	45-42522-107	45-42522-107
		Wiring Harness - Compressor Control 14 Pin to (two 2 Pin Connectors and 2 Sensors) - See Note 1	45-42522-111	45-42522-111
		Wiring Harness - 12 Pin Connector to (EMF Plug, Sensor, and 2 Terminals)	45-42522-112	45-42522-112

No.	Notes	MODEL TECHNICAL VARIATION COOLING CAPACITY ELECTRICAL DESIGNATION	RJNL- C 090 C	RJNL- C 120 C
<b>ELECTRIC GROUP</b>				
11		Terminal Block	45-41669-01	45-41669-01
		Outlet Box	45-41952-02	45-41952-02
		Receptacle Cover	45-41953-02	45-41953-02
		Receptacle - Ground Fault	45-41954-01	45-41954-01
		Pressure Switch Assembly - (Clogged Filter and Fan Proving)	42-103320-26	42-103320-26
		Cable Connector - Strain Relief (Non-Metallic)	45-18005-02	45-18005-02
<b>CONTROL BOX COMPONENTS:</b>				
57	Stk	Transformer - Control	46-42515-04	46-42515-04
58a		Double Row Terminal Block	45-42548-02	45-42548-02
58b		Ground Lug	45-19000-02	45-19000-02
59	Stk	Contactora - Blower	42-102664-08	42-102664-08
60		Capacitor - Fan Motor		See Fan Group
		High Pressure Control		See Coil Group
		Low Pressure Control		See Coil Group
61		Unit Controller (RTU-C)	47-102883-01	47-102883-01
62	Stk	Compressor Contactora	42-102664-14	42-102664-19
		Defrost Relay	42-19736-05	42-19736-05
<b>WIRING HARNESES:</b>				
		Wiring Harness - Reversing Valve		See Coil Group
		Wiring Harness - Motor #1		See Fan Group
		Wiring Harness - Motor #2		See Fan Group
		Wiring Harness - Compressor		See Compressor Group
		Wiring Harness - Main Power	45-42522-09	45-42522-09
		Wiring Harness - Twist Loc (12 Pin and 4 Pin) to 9 Pin	45-42522-100	45-42522-93
		Jumper - 7 Pin Connector (Unit Configuration)	45-42522-101	45-42522-101
		Wiring Harness - 8 Pin to (4 Connectors and 2 Temperature Sensors) - See Note 1	45-42522-98	45-42522-98
		Bypass Plug - Economizer 12 Pin	AS-61997-55	AS-61997-55
		Wiring Harness - 6 Pin to Heater Kit	45-102706-09	45-102706-09

No.	Notes	MODEL TECHNICAL VARIATION COOLING CAPACITY ELECTRICAL DESIGNATION	RJNL- C 090 D	RJNL- C 120 D
<b>ELECTRIC GROUP</b>				
11		Terminal Block	45-41669-01	45-41669-01
		Outlet Box	45-41952-02	45-41952-02
		Receptacle Cover	45-41953-02	45-41953-02
		Receptacle - Ground Fault	45-41954-01	45-41954-01
		Cable Connector - Strain Relief (Non-Metallic)	45-18005-02	45-18005-02
<b>CONTROL BOX COMPONENTS:</b>				
57	Stk	Transformer - Control	46-42515-05	46-42515-05
58a		Double Row Terminal Block	45-42548-02	45-42548-02
58b		Ground Lug	45-19000-02	45-19000-02
59	Stk	Contactora - Blower	42-102664-08	42-102664-08
60		Capacitor - Fan Motor		See Fan Group
		High Pressure Control		See Coil Group
		Low Pressure Control		See Coil Group
61		Unit Controller (RTU-C)	47-102883-01	47-102883-01
62	Stk	Compressor Contactora	42-102664-14	42-102664-19
		Defrost Relay	42-19736-05	42-19736-05
<b>WIRING HARNESES:</b>				
		Wiring Harness - Reversing Valve		See Coil Group
		Wiring Harness - Motor #1		See Fan Group
		Wiring Harness - Motor #2		See Fan Group
		Wiring Harness - Compressor		See Compressor Group
		Wiring Harness - Main Power	45-42522-09	45-42522-09
		Wiring Harness - Twist Loc (12 Pin and 4 Pin) to 9 Pin	45-42522-100	45-42522-93
		Jumper - 7 Pin Connector (Unit Configuration)	45-42522-101	45-42522-101
		Wiring Harness - 8 Pin to (4 Connectors and 2 Temperature Sensors) - See Note 1	45-42522-98	45-42522-98
		Bypass Plug - Economizer 12 Pin	AS-61997-55	AS-61997-55
		Wiring Harness - 6 Pin to Heater Kit	45-102706-09	45-102706-09

No.	Notes	MODEL TECHNICAL VARIATION COOLING CAPACITY ELECTRICAL DESIGNATION	RJNL- C 090 Y	RJNL- C 120 Y
<b>ELECTRIC GROUP</b>				
11		Terminal Block	45-41669-01	45-41669-01
		Outlet Box	45-41952-02	45-41952-02
		Receptacle Cover	45-41953-02	45-41953-02
		Receptacle - Ground Fault	45-41954-01	45-41954-01
		Pressure Switch Assembly - (Clogged Filter and Fan Proving)	42-103320-26	42-103320-26
		Cable Connector - Strain Relief (Non-Metallic)	45-18005-02	45-18005-02
<b>CONTROL BOX COMPONENTS:</b>				
57	Stk	Transformer - Control	46-42515-05	46-42515-05
58a		Double Row Terminal Block	45-42548-02	45-42548-02
58b		Ground Lug	45-19000-02	45-19000-02
59	Stk	Contactora - Blower	42-102664-08	42-102664-08
60		Capacitor - Fan Motor	See Fan Group	
		High Pressure Control	See Coil Group	
		Low Pressure Control	See Coil Group	
61	Stk	Unit Controller (RTU-C)	47-102883-01	47-102883-01
62	Stk	Compressor Contactora	42-102664-14	42-102664-19
	Stk	Defrost Relay	42-19736-05	42-19736-05
<b>WIRING HARNESES:</b>				
		Wiring Harness - Reversing Valve	See Coil Group	
		Wiring Harness - Motor #1	See Fan Group	
		Wiring Harness - Motor #2	See Fan Group	
		Wiring Harness - Compressor	See Compressor Group	
		Wiring Harness - Main Power	45-42522-09	45-42522-09
		Wiring Harness - Twist Loc (12 Pin and 4 Pin) to 9 Pin	45-42522-100	45-42522-93
		Jumper - 7 Pin Connector (Unit Configuration)	45-42522-101	45-42522-101
		Wiring Harness - 8 Pin to (4 Connectors and 2 Temperature Sensors) - See Note 1	45-42522-98	45-42522-98
		Bypass Plug - Economizer 12 Pin	AS-61997-55	AS-61997-55
		Wiring Harness - 6 Pin to Heater Kit	45-102706-09	45-102706-09

No.	Notes	MODEL TECHNICAL VARIATION COOLING CAPACITY ELECTRICAL DESIGNATION	RJNL- C 036 C	RJNL- C 042 C	RJNL- C 048 C
<b>FAN GROUP</b>					
34	Stk	Fan Motor	51-100998-05	51-100998-05	51-100998-05
35	Stk	Capacitor - Fan Motor	43-100496-04	43-100496-04	43-100496-04
37	Stk	Fan Blade	70-23594-01	70-23594-01	70-23594-01

No.	Notes	MODEL TECHNICAL VARIATION COOLING CAPACITY ELECTRICAL DESIGNATION	RJNL- C 036 D	RJNL- C 042 D	RJNL- C 048 D
<b>FAN GROUP</b>					
34	Stk	Fan Motor	51-100998-07	51-100998-07	51-100998-07
35	Stk	Capacitor - Fan Motor	43-100496-04	43-100496-04	43-100496-04
37	Stk	Fan Blade	70-23594-01	70-23594-01	70-23594-01

No.	Notes	MODEL TECHNICAL VARIATION COOLING CAPACITY ELECTRICAL DESIGNATION	RJNL- C 060 C	RJNL- C 072 C	
<b>FAN GROUP</b>					
34	Stk	Fan Motor	51-100998-13	<a href="#">51-100998-25</a>	
35	Stk	Capacitor - Fan Motor	43-100496-12	43-100496-12	
37	Stk	Fan Blade	<a href="#">70-42484-01</a>	70-100580-09	

No.	Notes	MODEL TECHNICAL VARIATION COOLING CAPACITY ELECTRICAL DESIGNATION	RJNL- C 060 D	RJNL- C 072 D	
<b>FAN GROUP</b>					
34	Stk	Fan Motor	51-100998-12	51-100998-20	
35	Stk	Capacitor - Fan Motor	43-100496-12	43-100496-11	
37	Stk	Fan Blade	<a href="#">70-42484-01</a>	70-100580-09	

No.	Notes	MODEL TECHNICAL VARIATION COOLING CAPACITY ELECTRICAL DESIGNATION	RJNL- C 090 C	RJNL- C 120 C
<b>FAN GROUP</b>				
52	Stk	Fan Motor (2)	<a href="#">51-42534-24</a>	<a href="#">51-42534-29</a>
		Wiring Harness - Motor #1 (12 wire)	45-102706-14	45-102706-15
		Wiring Harness - Motor #2 (5 wire)	45-102706-02	45-102706-02
53	Stk	Fan Blade (2)	<a href="#">70-42572-04</a>	70-42502-03
60	Stk	Capacitor - Fan Motor (2)	43-100496-12	43-100496-41

No.	Notes	MODEL TECHNICAL VARIATION COOLING CAPACITY ELECTRICAL DESIGNATION	RJNL- C 090 D	RJNL- C 120 D
<b>FAN GROUP</b>				
52	Stk	Fan Motor (2)	<a href="#">51-42534-25</a>	<a href="#">51-42534-28</a>
		Wiring Harness - Motor #1 (12 wire)	45-102706-14	45-102706-15
		Wiring Harness - Motor #2 (5 wire)	45-102706-02	45-102706-02
53	Stk	Fan Blade (2)	<a href="#">70-42572-04</a>	70-42502-03
60	Stk	Capacitor - Fan Motor (2)	43-100496-12	43-100496-12

No.	Notes	MODEL TECHNICAL VARIATION COOLING CAPACITY ELECTRICAL DESIGNATION	RJNL- C 090 Y	RJNL- C 120 Y
<b>FAN GROUP</b>				
52	Stk	Fan Motor (2)	51-42534-26	51-42534-27
		Wiring Harness - Motor #1 (12 wire)	45-102706-14	45-102706-15
		Wiring Harness - Motor #2 (5 wire)	45-102706-02	45-102706-02
53	Stk	Fan Blade (2)	<a href="#">70-42572-04</a>	70-42502-03
60	Stk	Capacitor - Fan Motor (2)	43-100496-12	43-100496-48

No.	Notes	MODEL TECHNICAL VARIATION COOLING CAPACITY ELECTRICAL DESIGNATION DRIVE PACKAGE	RJNL- C 036 C L	RJNL- C 036 D L	RJNL- C 042 C L	RJNL- C 042 D L	RJNL- C 048 C L	RJNL- C 048 D L
<b>BLOWER ASSEMBLY - BELT DRIVE</b>								
59	Stk	Blower Assembly (includes items 60-69a and item 70)	AS-101336-01	AS-101336-01	AS-101336-01	AS-101336-01	AS-101336-01	AS-101336-01
60		Housing	AS-101341-01	AS-101341-01	AS-101341-01	AS-101341-01	AS-101341-01	AS-101341-01
61	Stk	Bearing Frame Tri-Arm (2)	70-41723-03	70-41723-03	70-41723-03	70-41723-03	70-41723-03	70-41723-03
62	Stk	Ball Bearing and Cushion (2)	70-41911-01	70-41911-01	70-41911-01	70-41911-01	70-41911-01	70-41911-01
63	Stk	Blower Shaft	70-21933-02	70-21933-02	70-21933-02	70-21933-02	70-21933-02	70-21933-02
64	Stk	Fixed Pitch Sheave	71-100772-04	71-100772-04	71-100772-04	71-100772-04	71-100772-04	71-100772-04
65		Blower Support - Left	AE-58950-02	AE-58950-02	AE-58950-02	AE-58950-02	AE-58950-02	AE-58950-02
66	Stk	Wheel	70-23589-01	70-23589-01	70-23589-01	70-23589-01	70-23589-01	70-23589-01
67		Cut-Off Tabulation	AE-64401-05	AE-64401-05	AE-64401-05	AE-64401-05	AE-64401-05	AE-64401-05
71	Stk	Blower Motor	51-42579-01	51-42579-01	51-42579-01	51-42579-01	51-42579-01	51-42579-01
72	Stk	Variable Pitch Sheave	71-40427-30	71-40427-30	71-40427-30	71-40427-30	71-40427-30	71-40427-30
73	Stk	Belt	71-40235-43	71-40235-43	71-40235-43	71-40235-43	71-40235-43	71-40235-43

No.	Notes	MODEL TECHNICAL VARIATION COOLING CAPACITY ELECTRICAL DESIGNATION DRIVE PACKAGE	RJNL- C 036 C M	RJNL- C 036 D M	RJNL- C 042 C M	RJNL- C 042 D M	RJNL- C 048 C M	RJNL- C 048 D M
<b>BLOWER ASSEMBLY - BELT DRIVE</b>								
59	Stk	Blower Assembly (includes items 60-69a and item 70)	AS-101336-05	AS-101336-05	AS-101336-05	AS-101336-05	AS-101336-05	AS-101336-05
60		Housing	AS-101341-01	AS-101341-01	AS-101341-01	AS-101341-01	AS-101341-01	AS-101341-01
61	Stk	Bearing Frame Tri-Arm (2)	70-41723-03	70-41723-03	70-41723-03	70-41723-03	70-41723-03	70-41723-03
62	Stk	Ball Bearing and Cushion (2)	70-41911-01	70-41911-01	70-41911-01	70-41911-01	70-41911-01	70-41911-01
63	Stk	Blower Shaft	70-21933-02	70-21933-02	70-21933-02	70-21933-02	70-21933-02	70-21933-02
64	Stk	Fixed Pitch Sheave	71-100772-03	71-100772-03	71-100772-03	71-100772-03	71-100772-03	71-100772-03
65		Blower Support - Left	AE-58950-02	AE-58950-02	AE-58950-02	AE-58950-02	AE-58950-02	AE-58950-02
66	Stk	Wheel	70-23589-01	70-23589-01	70-23589-01	70-23589-01	70-23589-01	70-23589-01
67		Cut-Off Tabulation	AE-64401-05	AE-64401-05	AE-64401-05	AE-64401-05	AE-64401-05	AE-64401-05
71	Stk	Blower Motor	51-21909-01	51-21909-01	51-21909-01	51-21909-01	51-21909-01	51-21909-01
72	Stk	Variable Pitch Sheave	71-40427-25	71-40427-25	71-40427-25	71-40427-25	71-40427-25	71-40427-25
73	Stk	Belt	71-40235-43	71-40235-43	71-40235-43	71-40235-43	71-40235-43	71-40235-43

No.	Notes	MODEL TECHNICAL VARIATION COOLING CAPACITY ELECTRICAL DESIGNATION DRIVE PACKAGE	RJNL- C 036-048 C/D L/M					
<b>BLOWER MOTOR MOUNTING - BELT DRIVE</b>								
68		Blower Bracket	AE-101124-01					
69		Blower Bracket - Drive Side	AE-101124-04					
69a		Grommet (Flat)	56-18518-04					
69b		Cross Brace	AE-101467-01					
70		Motor Mount Assembly	AS-101340-01					

No.	Notes	MODEL TECHNICAL VARIATION COOLING CAPACITY ELECTRICAL DESIGNATION DRIVE PACKAGE	RJNL-	RJNL-	RJNL-	RJNL-
			C 060 C L	C 060 D L	C 072 C L	C 072 D L
<b>BLOWER ASSEMBLY - BELT DRIVE</b>						
59	Stk	Blower Assembly (includes items 60-69a and item 70)	AS-101336-05	AS-101336-05	AS-101336-03	AS-101336-03
60		Housing	AS-101341-01	AS-101341-01	AS-101342-01	AS-101342-01
61	Stk	Bearing Frame Tri-Arm (2)	70-41723-03	70-41723-03	70-41723-02	70-41723-02
62	Stk	Ball Bearing and Cushion (2)	70-41911-01	70-41911-01	70-41911-01	70-41911-01
63	Stk	Blower Shaft	70-21933-02	70-21933-02	70-21933-02	70-21933-02
64	Stk	Fixed Pitch Sheave	71-100772-03	71-100772-03	71-100772-03	71-100772-03
65		Blower Support - Left	AE-58950-02	AE-58950-02	AE-58950-03	AE-58950-03
66	Stk	Wheel	70-23589-01	70-23589-01	70-21773-01	70-21773-01
67		Cut-Off Tabulation	AE-64401-05	AE-64401-05	AE-64401-18	AE-64401-18
71	Stk	Blower Motor	51-21909-01	51-21909-01	51-41936-02	51-41936-02
72	Stk	Variable Pitch Sheave	71-40427-29	71-40427-29	71-40427-29	71-40427-29
73	Stk	Belt	71-40235-42	71-40235-42	71-40235-42	71-40235-42

No.	Notes	MODEL TECHNICAL VARIATION COOLING CAPACITY ELECTRICAL DESIGNATION DRIVE PACKAGE	RJNL-	RJNL-	RJNL-	RJNL-
			C 060 C M	C 060 D M	C 072 C M	C 072 D M
<b>BLOWER ASSEMBLY - BELT DRIVE</b>						
59	Stk	Blower Assembly (includes items 60-69a and item 70)	AS-101336-05	AS-101336-05	AS-101336-03	AS-101336-03
60		Housing	AS-101341-01	AS-101341-01	AS-101342-01	AS-101342-01
61	Stk	Bearing Frame Tri-Arm (2)	70-41723-03	70-41723-03	70-41723-02	70-41723-02
62	Stk	Ball Bearing and Cushion (2)	70-41911-01	70-41911-01	70-41911-01	70-41911-01
63	Stk	Blower Shaft	70-21933-02	70-21933-02	70-21933-02	70-21933-02
64	Stk	Fixed Pitch Sheave	71-100772-03	71-100772-03	71-100772-03	71-100772-03
65		Blower Support - Left	AE-58950-02	AE-58950-02	AE-58950-03	AE-58950-03
66	Stk	Wheel	70-23589-01	70-23589-01	70-21773-01	70-21773-01
67		Cut-Off Tabulation	AE-64401-05	AE-64401-05	AE-64401-18	AE-64401-18
71	Stk	Blower Motor	51-41936-01	51-41936-01	51-41936-02	51-41936-02
72	Stk	Variable Pitch Sheave	71-40427-25	71-40427-25	71-40427-25	71-40427-25
73	Stk	Belt	71-40235-43	71-40235-43	71-40235-43	71-40235-43

No.	Notes	MODEL TECHNICAL VARIATION COOLING CAPACITY ELECTRICAL DESIGNATION DRIVE PACKAGE	RJNL-	RJNL-		
			C 060 C/D L/M	C 072 C/D L/M		
<b>BLOWER MOTOR MOUNTING - BELT DRIVE</b>						
68		Blower Bracket	AE-101124-01	AE-101124-05		
69		Blower Bracket - Drive Side	AE-101124-04	AE-101124-03		
69a		Grommet (Flat)	56-18518-04	56-18518-04		
69b		Cross Brace	AE-101467-01	AE-101467-01		
70		Motor Mount Assembly	AS-101340-01	AS-101340-01		

No.	Notes	MODEL TECHNICAL VARIATION COOLING CAPACITY DRIVE PACKAGE	RJNL- C 090 L	RJNL- C 120 L
<b>BLOWER ASSEMBLY GROUP - BELT DRIVE</b>				
64	Stk	Blower Housing Assembly (Includes Blower Housing and items 65,66,67,68)	AS-90757-01	AS-90757-01
65	Stk	Blower Wheel	<a href="#">70-42540-02</a>	<a href="#">70-42540-02</a>
66		Bearing Frame Tri-Arm (2)	<a href="#">70-42540-05</a>	<a href="#">70-42540-05</a>
67		Bearing with Bearing Lock (2)	<a href="#">70-41854-02</a>	<a href="#">70-41854-02</a>
68	Stk	Blower Shaft	<a href="#">70-42540-04</a>	<a href="#">70-42540-04</a>
69		Blower Mounting Angles (2)	AE-90708-01	AE-90708-01
		Blower Angle Stop	AE-90709-02	AE-90709-02
70		Motor Mount	AS-90824-01	AS-90824-01
71	Stk	Blower Motor - C/D Voltages	<a href="#">51-42536-01</a>	<a href="#">51-42536-01</a>
71	Stk	Blower Motor - Y Voltage	51-42536-02	51-42536-02
72	Stk	Variable Sheave	71-42538-02	71-42538-02
73	Stk	Belt	71-40438-30	71-40438-27
74	Stk	Fixed Sheave	71-100774-05	71-100774-02
		Key	94-42551-09	94-42551-09
	Stk	Bushing for Sheave w/Screws	71-100773-01	71-100773-01

No.	Notes	MODEL TECHNICAL VARIATION COOLING CAPACITY DRIVE PACKAGE	RJNL- C 090 M	RJNL- C 120 M
<b>BLOWER ASSEMBLY GROUP - BELT DRIVE</b>				
64	Stk	Blower Housing Assembly (Includes Blower Housing and items 65,66,67,68)	AS-90757-01	AS-90757-01
65	Stk	Blower Wheel	<a href="#">70-42540-02</a>	<a href="#">70-42540-02</a>
66		Bearing Frame Tri-Arm (2)	<a href="#">70-42540-05</a>	<a href="#">70-42540-05</a>
67		Bearing with Bearing Lock (2)	<a href="#">70-41854-02</a>	<a href="#">70-41854-02</a>
68	Stk	Blower Shaft	<a href="#">70-42540-04</a>	<a href="#">70-42540-04</a>
69		Blower Mounting Angles (2)	AE-90708-01	AE-90708-01
		Blower Angle Stop	AE-90709-02	AE-90709-02
70		Motor Mount	AE-90710-04	AE-90710-04
71	Stk	Blower Motor - C/D Voltages	<a href="#">51-42536-01</a>	<a href="#">51-42537-01</a>
71	Stk	Blower Motor - Y Voltage	51-42536-02	51-42537-02
72	Stk	Variable Sheave	71-42538-02	71-42538-02
73	Stk	Belt	71-40438-27	<a href="#">71-40438-23</a>
74	Stk	Fixed Sheave	71-100774-02	71-100774-04
		Key	94-42551-09	94-42551-09
	Stk	Bushing for Sheave w/Screws	71-100773-01	71-100773-01

No.	Notes	MODEL TECHNICAL VARIATION COOLING CAPACITY DRIVE PACKAGE	RJNL- C 090 N	
<b>BLOWER ASSEMBLY GROUP - BELT DRIVE</b>				
64	Stk	Blower Housing Assembly (Includes Blower Housing and items 65,66,67,68)	AS-90757-01	
65	Stk	Blower Wheel	<a href="#">70-42540-02</a>	
66		Bearing Frame Tri-Arm (2)	<a href="#">70-42540-05</a>	
67		Bearing with Bearing Lock (2)	<a href="#">70-41854-02</a>	
68	Stk	Blower Shaft	<a href="#">70-42540-04</a>	
69		Blower Mounting Angles (2)	AE-90708-01	
		Blower Angle Stop	AE-90709-02	
70		Motor Mount	AE-90710-04	
71	Stk	Blower Motor - C/D Voltages	<a href="#">51-42537-01</a>	
71	Stk	Blower Motor - Y Voltage	51-42537-02	
72	Stk	Variable Sheave	71-42538-02	
73	Stk	Belt	<a href="#">71-40438-23</a>	
74	Stk	Fixed Sheave	71-100774-04	
		Key	94-42551-09	
	Stk	Bushing for Sheave w/Screws	71-100773-01	

No.	Notes	MODEL TECHNICAL VARIATION COOLING CAPACITY	RJNL- C 036	RJNL- C 042	RJNL- C 048	RJNL- C 060	RJNL- C 072
<b>COIL GROUP</b>							
<b>EVAPORATOR COIL:</b>							
74	Stk	Evaporator Coil	AS-102377-03	AS-102377-03	AS-102026-03	AS-102026-03	AS-103000-03
	Stk	Distributor Assembly	83-100844-08	83-100844-08	83-100844-09	83-100844-09	83-100844-09
76		Top Air Stop	AE-58933-01	AE-58933-01	AE-58933-01	AE-58933-01	AE-58933-02
77		Top Coil Support	AE-58941-01	AE-58941-01	AE-58941-01	AE-58941-01	AE-58941-01
78	Stk	Indoor Coil Drain Pan	<a href="#">68-23559-01</a>	<a href="#">68-23559-01</a>	<a href="#">68-23559-01</a>	<a href="#">68-23559-01</a>	<a href="#">68-23559-02</a>
		Filter Keeper	AE-59168-01	AE-59168-01	AE-59168-01	AE-59168-01	AE-59168-01
84		Filter Channels (3) - Center is 2 channels back to back	AE-58934-01	AE-58934-01	AE-58934-01	AE-58934-01	AE-58934-03
85		Filter - Disposable 16 x 25 x 1 (2)	54-17531-10	54-17531-10	54-17531-10	54-17531-10	N/A
		Filter - Disposable 16 x 16 x 2 (4)	N/A	N/A	N/A	N/A	54-17531-24
<b>CONDENSER COIL:</b>							
82	Stk	Condenser Coil	AS-102376-03	AS-102376-03	AS-102383-01	AS-102383-01	AS-102383-01
	Stk	Distributor Assembly	83-102378-01	83-102378-01	83-102378-02	83-102378-02	83-102378-02
<b>REFRIGERATION:</b>							
79	Stk	TXV	<a href="#">61-102213-06</a>	<a href="#">61-102211-18</a>	61-102211-19	<a href="#">61-102211-20</a>	61-102211-19
80	Stk	Reversing Valve	<a href="#">61-102498-06</a>	<a href="#">61-102498-06</a>	<a href="#">61-102498-06</a>	61-101684-03	61-101684-03
81	Stk	Solenoid Coil (24V)	<a href="#">61-101713-92</a>	<a href="#">61-101713-92</a>	<a href="#">61-101713-92</a>	<a href="#">61-101713-01</a>	<a href="#">61-101713-01</a>
	Stk	Wiring Harness	61-26149-01	61-26149-01	61-26149-01	61-26149-01	61-26149-01

No.	Notes	MODEL TECHNICAL VARIATION COOLING CAPACITY	RJNL- C 090	RJNL- C 120			
<b>COIL GROUP</b>							
<b>EVAPORATOR COIL GROUP:</b>							
42	Stk	Evaporator Coil	AS-90656-73	AS-90656-78			
	Stk	Distributor Assembly	83-102781-04	83-102781-05			
43	Stk	Drain Pan - Removable	<a href="#">68-102699-02</a>	<a href="#">68-102699-02</a>			
<b>FILTER PIECES:</b>							
44		Filter Frame	AE-90606-11	AE-90606-12			
45		Air Stop - Bottom	AE-102712-10	AE-102712-10			
46		Air Stop - Side	AE-102712-06	AE-102712-12			
47		Top Air Stop Assembly	AS-90604-06	AS-90604-06			
48		Filter Channel (2)	AE-102712-08	AE-102712-08			
49		Filter Slide (2)	AE-102712-11	AE-102712-11			
50		Filter (6)	<a href="#">54-42541-01</a>	<a href="#">54-42541-01</a>			
<b>CONDENSER COIL:</b>							
37	Stk	Condenser Coil	AS-103040-01	AS-103076-01			
	Stk	Distributor Assembly	83-100844-10	83-100844-11			
	Stk	Filter Drier - Liquid Line	83-41714-06	83-103080-01			
		Strap - Filter Drier	AE-102132-01 (2)	AE-102132-01 (2)			
	Stk	High Pressure Control	<a href="#">47-102290-01</a>	<a href="#">47-102290-01</a>			
	Stk	Low Pressure Control	47-102240-04	47-102240-04			
<b>REFRIGERATION:</b>							
	Stk	TXV	<a href="#">61-102211-27</a>	61-102211-21			
	Stk	Reversing Valve	61-102498-03	<a href="#">61-102498-08</a>			
	Stk	Solenoid Coil	<a href="#">61-101713-92</a>	<a href="#">61-101713-92</a>			
		Wiring Harness - Reversing Valve	61-26149-01	61-26149-01			

No.	Notes	MODEL TECHNICAL VARIATION COOLING CAPACITY ELECTRICAL DESIGNATION	RJNL- C 036 C	RJNL- C 036 D
<b>COMPRESSOR GROUP</b>				
		<b>Compressor ID:</b>	<b>8236</b>	<b>8237</b>
86	Stk	Compressor	55-102045-05S	55-102045-04S
	Stk	Compressor Wiring Harness (Molded Plug)	45-100834-10	45-100834-10

No.	Notes	MODEL TECHNICAL VARIATION COOLING CAPACITY ELECTRICAL DESIGNATION	RJNL- C 042 C	RJNL- C 042 D
<b>COMPRESSOR GROUP</b>				
		<b>Compressor ID:</b>	<b>8238</b>	<b>8239</b>
86	Stk	Compressor	55-102045-16S	55-102045-25S
	Stk	Compressor Wiring Harness (Molded Plug)	45-100834-10	45-100834-10

No.	Notes	MODEL TECHNICAL VARIATION COOLING CAPACITY ELECTRICAL DESIGNATION	RJNL- C 048 C	RJNL- C 048 D
<b>COMPRESSOR GROUP</b>				
		<b>Compressor ID:</b>	<b>8240</b>	<b>8241</b>
86	Stk	Compressor	55-102045-11S	55-102045-10S
	Stk	Compressor Wiring Harness (Molded Plug)	45-100834-10	45-100834-10

No.	Notes	MODEL TECHNICAL VARIATION COOLING CAPACITY ELECTRICAL DESIGNATION	RJNL- C 060 C	RJNL- C 060 D
<b>COMPRESSOR GROUP</b>				
		<b>Compressor ID:</b>	<b>8242</b>	<b>8243</b>
86	Stk	Compressor	55-102045-27S	55-102045-28S
	Stk	Compressor Wiring Harness (Molded Plug)	45-100834-10	45-100834-10

No.	Notes	MODEL TECHNICAL VARIATION COOLING CAPACITY ELECTRICAL DESIGNATION	RJNL- C 072 C	RJNL- C 072 D
<b>COMPRESSOR GROUP</b>				
		<b>Compressor ID:</b>	<b>8244</b>	<b>8245</b>
86	Stk	Compressor	55-102471-14S	55-102471-16S
	Stk	Compressor Wiring Harness (Molded Plug)	45-100834-10	45-100834-10

No.	Notes	MODEL TECHNICAL VARIATION COOLING CAPACITY ELECTRICAL DESIGNATION	RJNL- C 090 C	RJNL- C 120 C
<b>COMPRESSOR GROUP</b>				
		<b>Compressor ID:</b>	<b>7974</b>	<b>7985</b>
75	Stk	Compressor	55-23156-20S	55-102471-01S
	Stk	Crankcase Heater	44-17402-10	44-17402-17
		Wiring Harness - Compressor	45-102706-12	45-102706-13

No.	Notes	MODEL TECHNICAL VARIATION COOLING CAPACITY ELECTRICAL DESIGNATION	RJNL- C 090 D	RJNL- C 120 D
<b>COMPRESSOR GROUP</b>				
		<b>Compressor ID:</b>	<b>7975</b>	<b>7986</b>
75	Stk	Compressor	55-23156-21S	55-102471-04S
	Stk	Crankcase Heater	44-17402-11	44-17402-18
		Wiring Harness - Compressor	45-102706-12	45-102706-13

No.	Notes	MODEL TECHNICAL VARIATION COOLING CAPACITY ELECTRICAL DESIGNATION	RJNL- C 090 Y	RJNL- C 120 Y
<b>COMPRESSOR GROUP</b>				
		<b>Compressor ID:</b>	<b>7976</b>	<b>7988</b>
75	Stk	Compressor	55-23156-22S	55-102471-05S
	Stk	Crankcase Heater	44-17402-12	44-17402-19
		Wiring Harness - Compressor	45-102706-12	45-102706-13

No.	Notes	MODEL TECHNICAL VARIATION COOLING CAPACITY ELECTRICAL DESIGNATION	RJNL- C 036-060 C	RJNL- C 036-060 D	RJNL- C 072 C	RJNL- C 072 D
<b>HEATER KITS</b>						
		Heater Kit - 6kW	RXJJ-A06C	RXJJ-A06D	N/A	N/A
		Heater Kit - 10kW	RXJJ-A10C	RXJJ-A10D	N/A	N/A
		Heater Kit - 12kW	RXJJ-A12C	RXJJ-A12D	N/A	N/A
		Heater Kit - 15kW	RXJJ-A15C	RXJJ-A15D	RXJJ-A15C	RXJJ-A15D
		Heater Kit - 20kW	RXJJ-A20C	RXJJ-A20D	RXJJ-A20C	RXJJ-A20D
		Heater Kit - 24kW	N/A	N/A	RXJJ-A24C	RXJJ-A24D

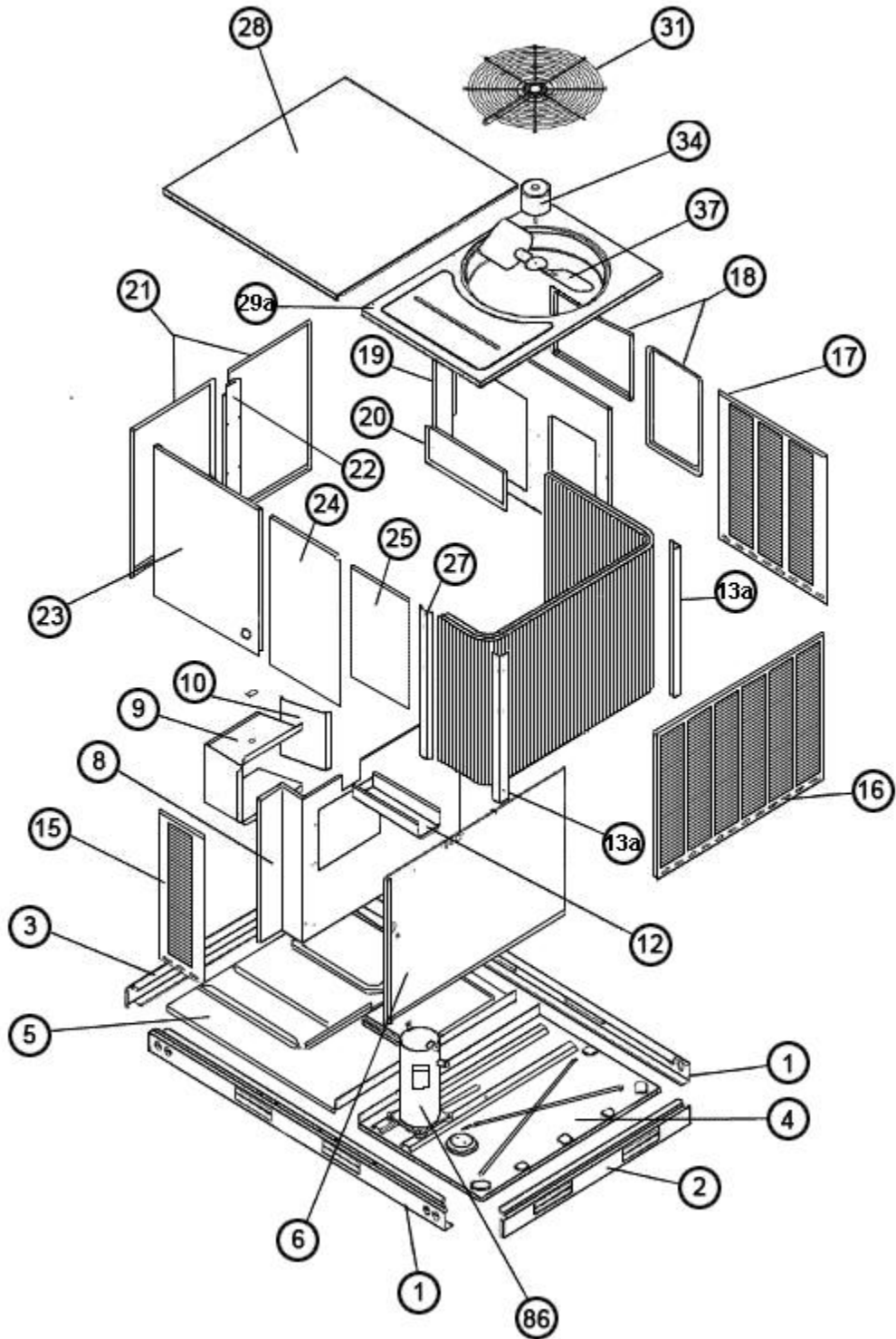
No.	Notes	MODEL TECHNICAL VARIATION COOLING CAPACITY ELECTRICAL DESIGNATION	RJNL- C 090-120 C	RJNL- C 090-120 D	RJNL- C 090-120 Y	
<b>HEATER KITS</b>						
		Heater Kit - 15kW	RXJJ-CC15C	RXJJ-CC15D	RXJJ-CC15Y	
		Heater Kit - 20kW	RXJJ-CC20C	RXJJ-CC20D	RXJJ-CC20Y	
		Heater Kit - 30kW	RXJJ-CC30C	RXJJ-CC30D	RXJJ-CC30Y	
		Heater Kit - 40kW	RXJJ-CC40C	RXJJ-CC40D	RXJJ-CC40Y	

No.	Notes	MODEL TECHNICAL VARIATION COOLING CAPACITY	RJNL- C 036-060	RJNL- C 072
<b>OPTIONS AND ACCESSORIES</b>				
		Economizer with Single Enthalpy - Neutra Green	RXRD-TKCM3	RXRD-THCM3
		Economizer with Single Enthalpy - Granite/Steel Gray	AXRD-TKCM3	AXRD-THCM3
		Economizer with Single Enthalpy and Smoke Detector - Neutra Green	RXRD-UKCM3	RXRD-UHCM3
		Economizer with Single Enthalpy and Smoke Detector - Granite/Steel Gray	AXRD-UKCM3	AXRD-UHCM3
		Dual Enthalpy Kit	RXR-AR03	RXR-AR03
		CO2 Sensor	RXR-AR02	RXR-AR02
		Power Exhaust - C Voltage (Neutra Green)	RXR-BGF04C	RXR-BGF03C
		Power Exhaust - C Voltage (Granite/Steel Gray)	AXR-BGF04C	AXR-BGF03C
		Power Exhaust - D Voltage (Neutra Green)	RXR-BGF04D	RXR-BGF03D
		Power Exhaust - D Voltage (Granite/Steel Gray)	AXR-BGF04D	AXR-BGF03D
		Fresh Air Damper Manual (Neutra Green)	RXR-FBA1	RXR-FCA1
		Fresh Air Damper Manual (Granite/Steel Gray)	AXR-FBA1	AXR-FCA1
		Fresh Air Damper Motorized (Neutra Green)	RXR-FBB1	RXR-FCB1
		Fresh Air Damper Motorized (Granite/Steel Gray)	AXR-FBB1	AXR-FCB1
		Louver Kit - (3 Sides) (Neutra Green)	RXR-AAD01B	RXR-AAD01B
		Louver Kit - (3 Sides) (Granite/Steel Gray)	AXR-AAD01B	AXR-AAD01B
		Comfort Alert	RXR-AZ01	RXR-AZ01
		BACnet Communication Card	RXR-AY01	RXR-AY01
		Lonworks Communication Card	RXR-AY02	RXR-AY02
		Low Ambient Control	RXR-A04	RXRZ-A04

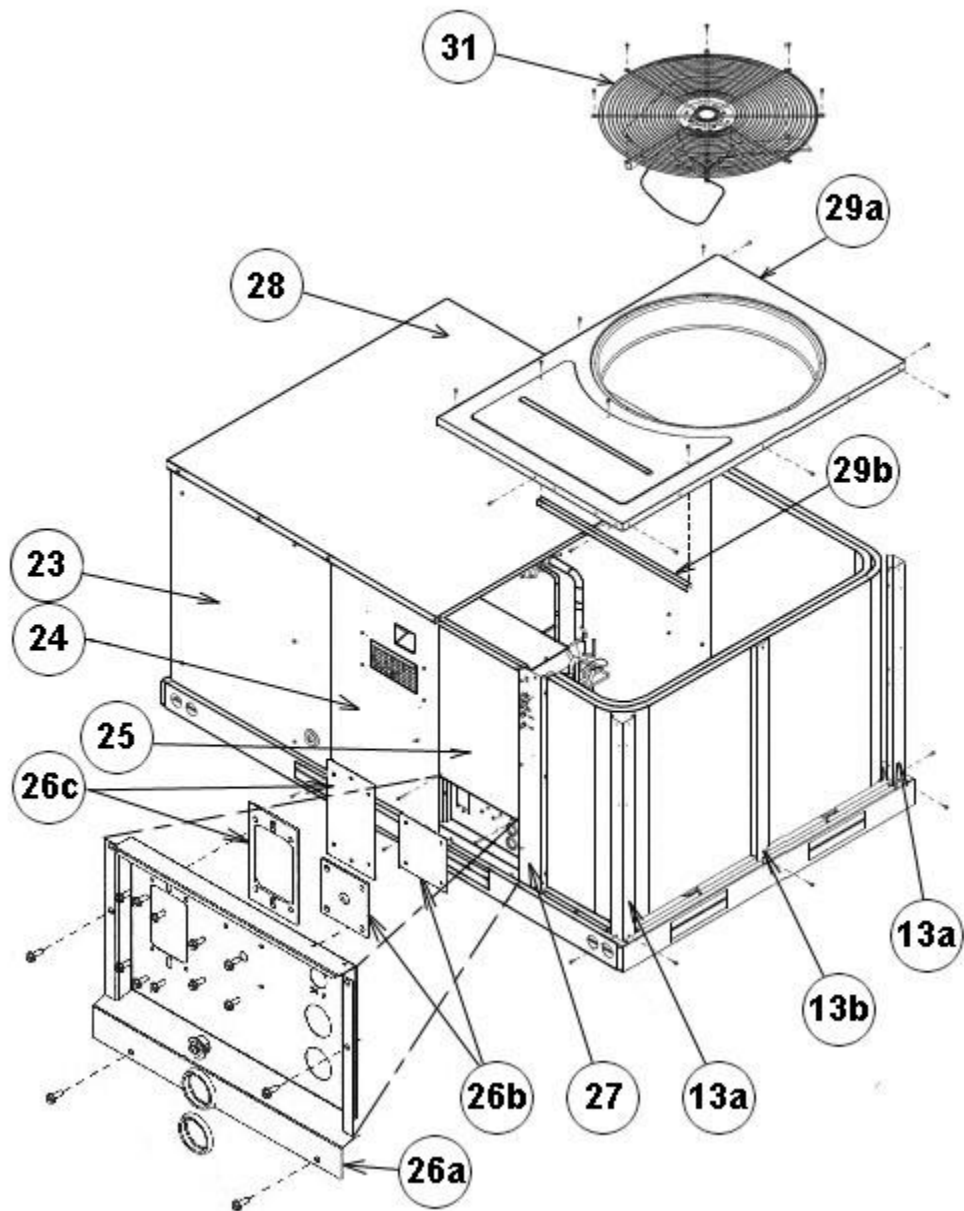
No.	Notes	MODEL TECHNICAL VARIATION COOLING CAPACITY	RJNL- C 090-120	
<b>ACCESSORIES</b>				
		Carbon Dioxide Sensor	RXR-AR02	
		Dual Enthalpy Kit	RXR-AR03	
		Manual Fresh Air (Left Panel Mounted) - Neutra Green	RXR-KDA1	
		Manual Fresh Air (Left Panel Mounted) - Granite/Steel Gray	AXR-KDA1	
		Motor Kit for RXR-KDA1/AXR-KDA1	RXR-AW02	
		Modulating Motor Kit w/Position Feedback for RXR-KDA1/AXR-KDA1	RXR-AW04	
		Manual Fresh Air (Left Panel Mounted) - Neutra Green	RXR-KDA1	
		Manual Fresh Air (Left Panel Mounted) - Granite/Steel Gray	AXR-KDA1	
		Manual Fresh Air (Return Panel) - Neutra Green	RXR-JDA1	
		Manual Fresh Air (Return Panel) - Granite/Steel Gray	AXR-JDA1	
		Motorized Fresh Air (Return Panel) - Neutra Green	RXR-JDB1	
		Motorized Fresh Air (Return Panel) - Granite/Steel Gray	AXR-JDB1	
		Louver Kit - Outdoor Coil (090) - Neutra Green	RXR-AAD01H	
		Louver Kit - Outdoor Coil (090) - Granite/Steel Gray	AXR-AAD01H	
		Louver Kit - Outdoor Coil (120) - Neutra Green	RXR-AAD01J	
		Louver Kit - Outdoor Coil (120) - Granite/Steel Gray	AXR-AAD01J	
		LonWorks Communication Card	RXR-AY02	
		BACnet Communication Card	RXR-AY01	
		Comfort Alert (1 per compressor)	RXR-AZ01	
		Non-Powered Convenience Outlet	RXR-AN01	
		Low Ambient Control Kit	RXRZ-A03	

No.	Notes	MODEL TECHNICAL VARIATION COOLING CAPACITY	RJNL- C 090-120
<b>ECONOMIZERS</b>			
		Economizer - Single Enthalpy w/Smoke Detector (Neutra Green)	RXRD-PJCM3
		Economizer - Single Enthalpy w/Smoke Detector (Granite/Steel Gray)	AXRD-PJCM3
		Economizer - Single Enthalpy w/Smoke Detector (Neutra Green)	RXRD-SJCM3
		Economizer - Single Enthalpy w/Smoke Detector (Granite/Steel Gray)	AXRD-SJCM3
		Horizontal Economizer - Single Enthalpy (Neutra Green)	RXRD-RJCM3
		Horizontal Economizer - Single Enthalpy (Granite/Steel Gray)	AXRD-RJCM3

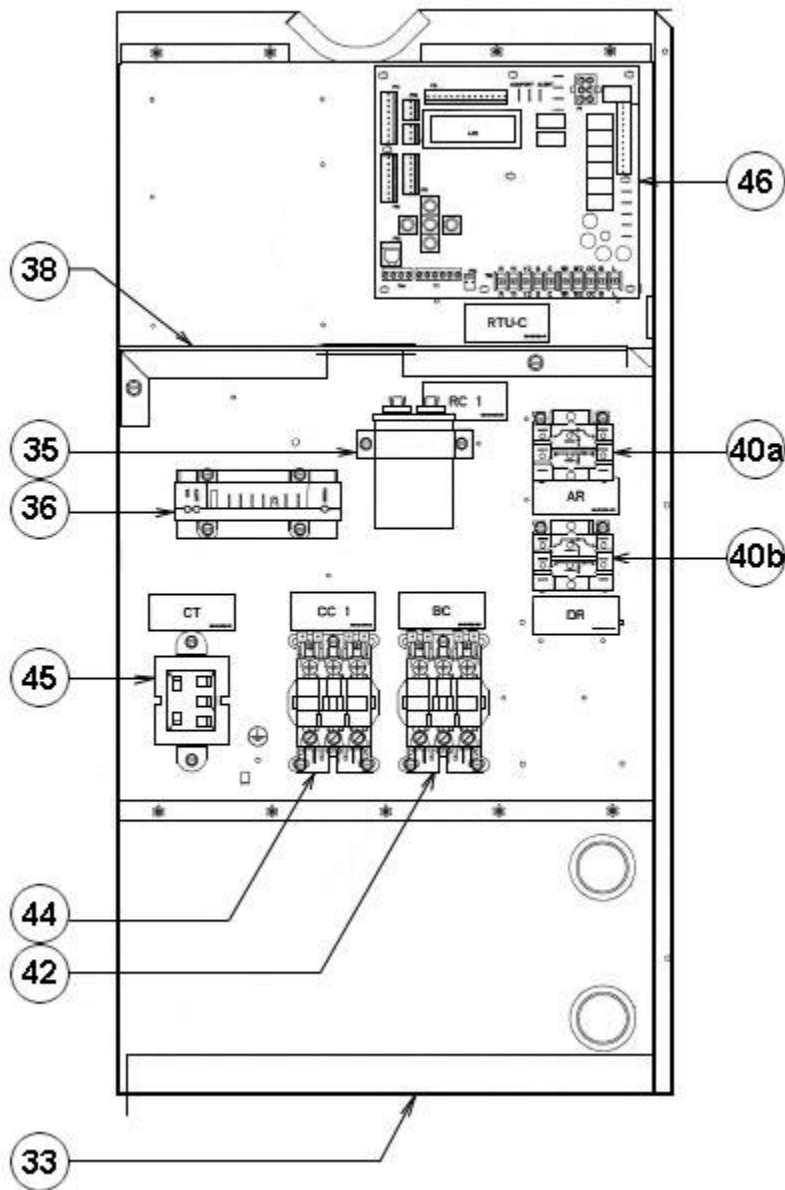
No.		MODEL TECHNICAL VARIATION COOLING CAPACITY	RJNL- C 090-120
<b>POWER EXHAUST</b>			
		Power Exhaust	RXXR-BFF02C
		Power Exhaust	RXXR-BFF02D
		Power Exhaust	RXXR-BFF02Y



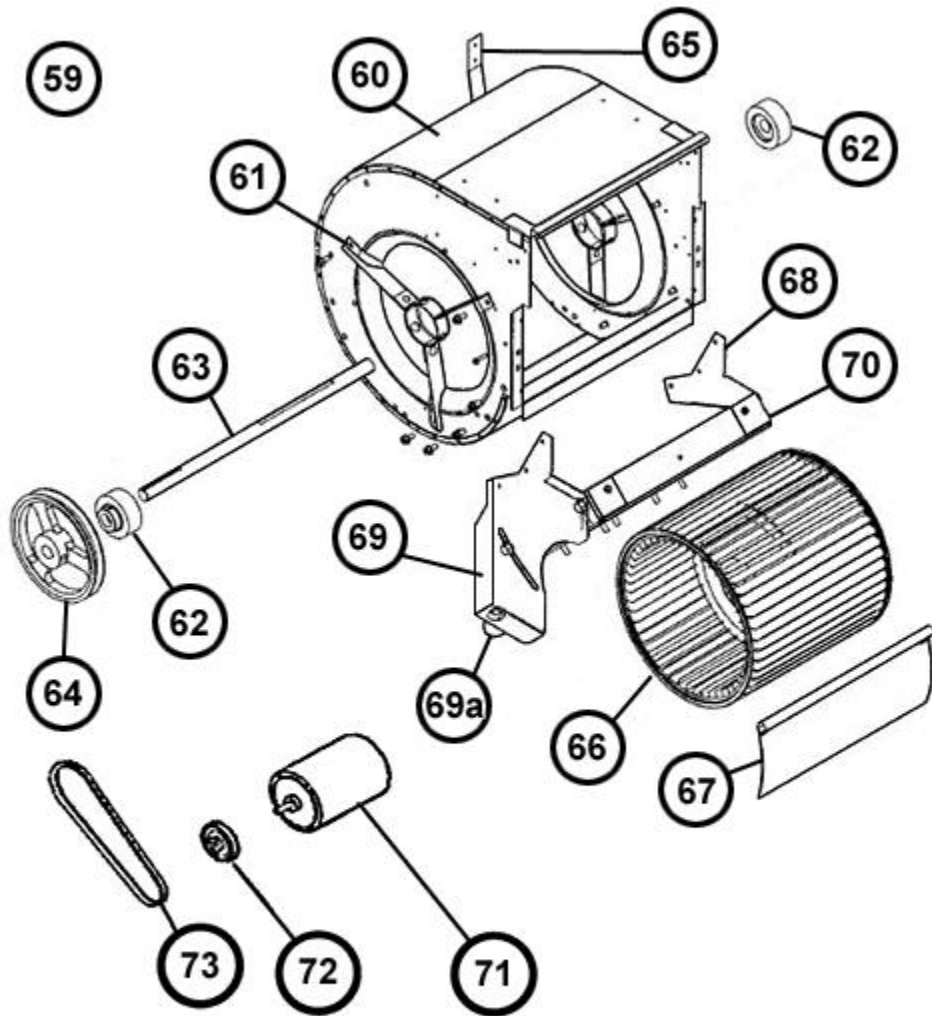
Exploded View 036-072



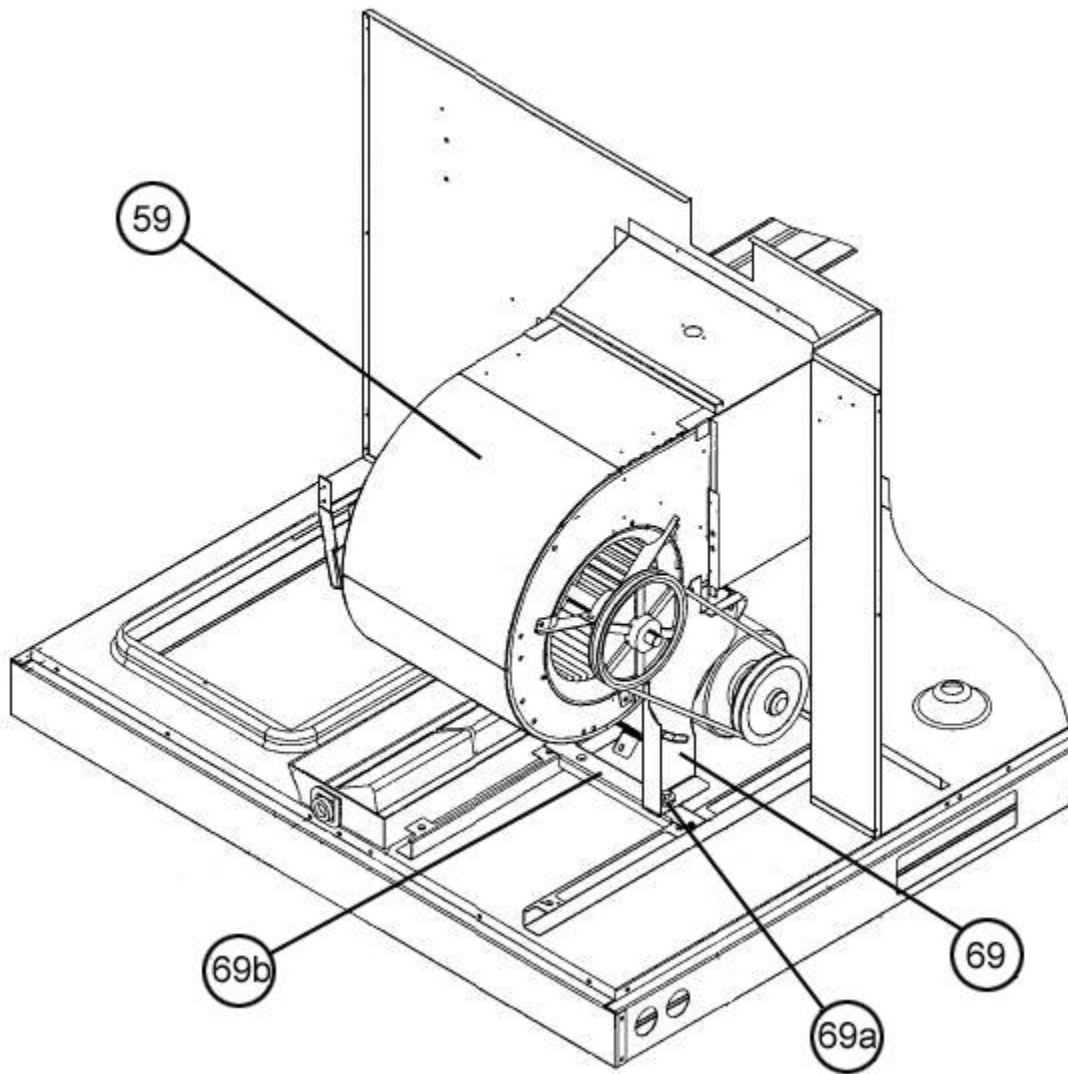
Top Panel View 036-072



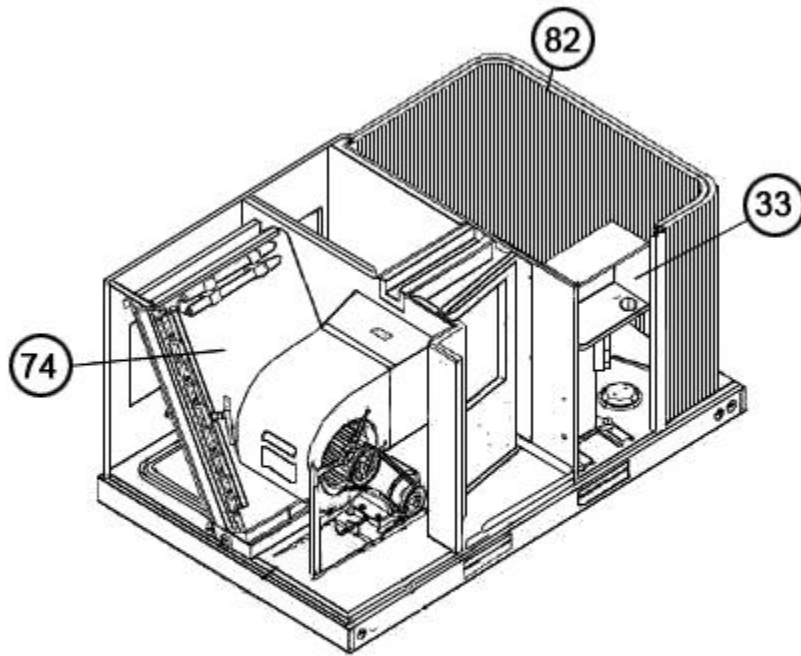
Control Box 036-072



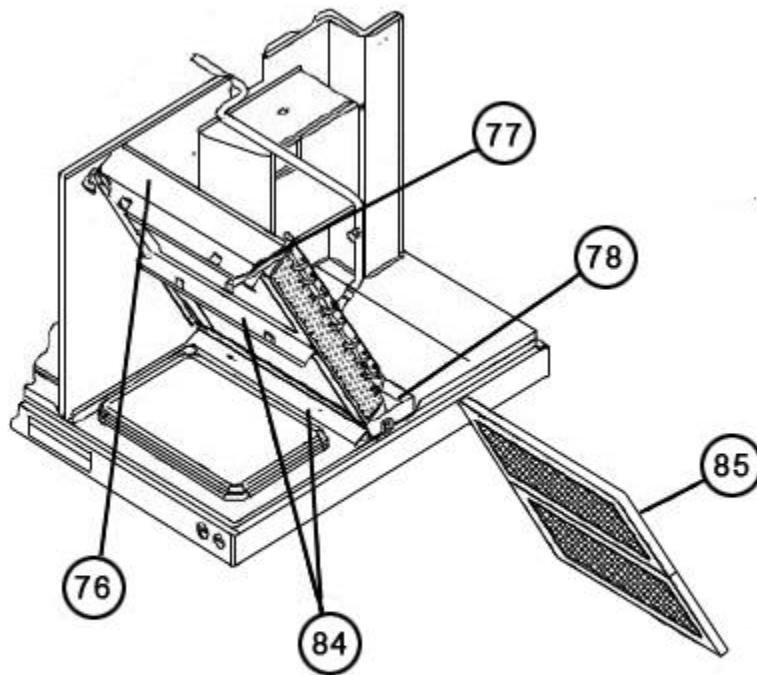
Blower Parts - Belt Drive 036-072



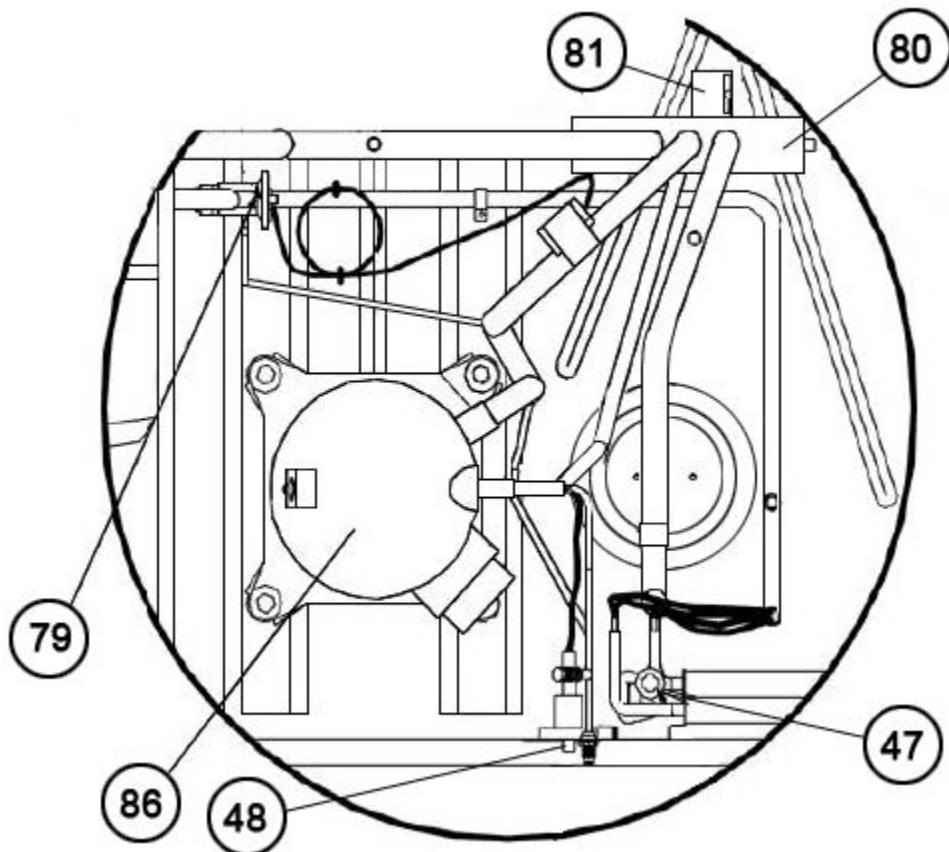
Blower Mounting - Belt Drive 036-072



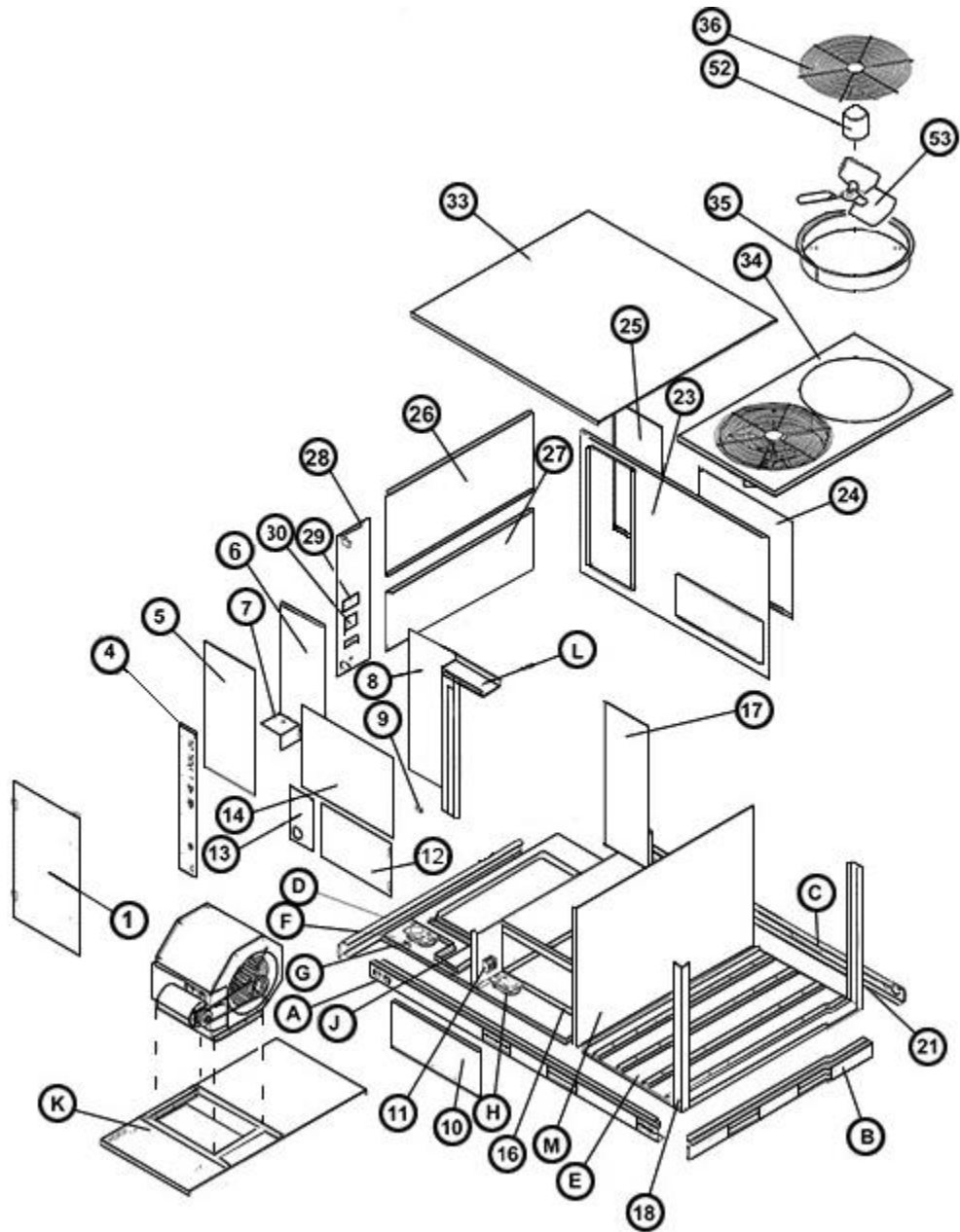
Coil Group Cut-away View 036-072



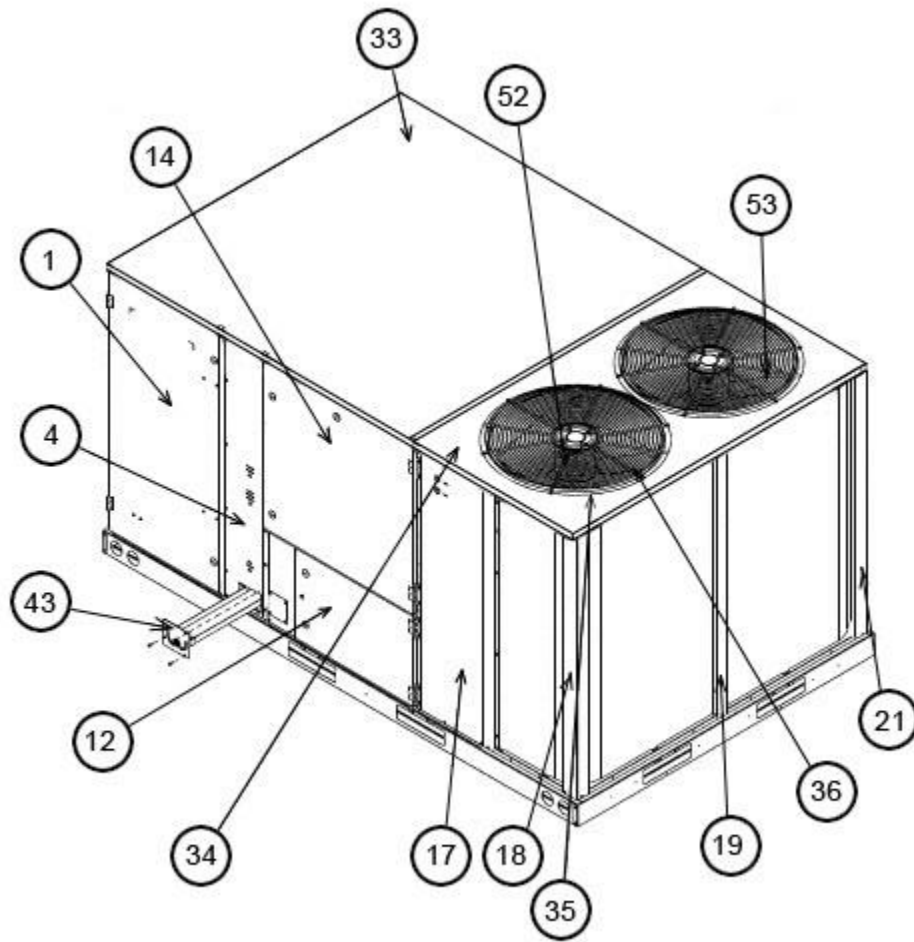
Evaporator Coil - Filter Parts 036-072



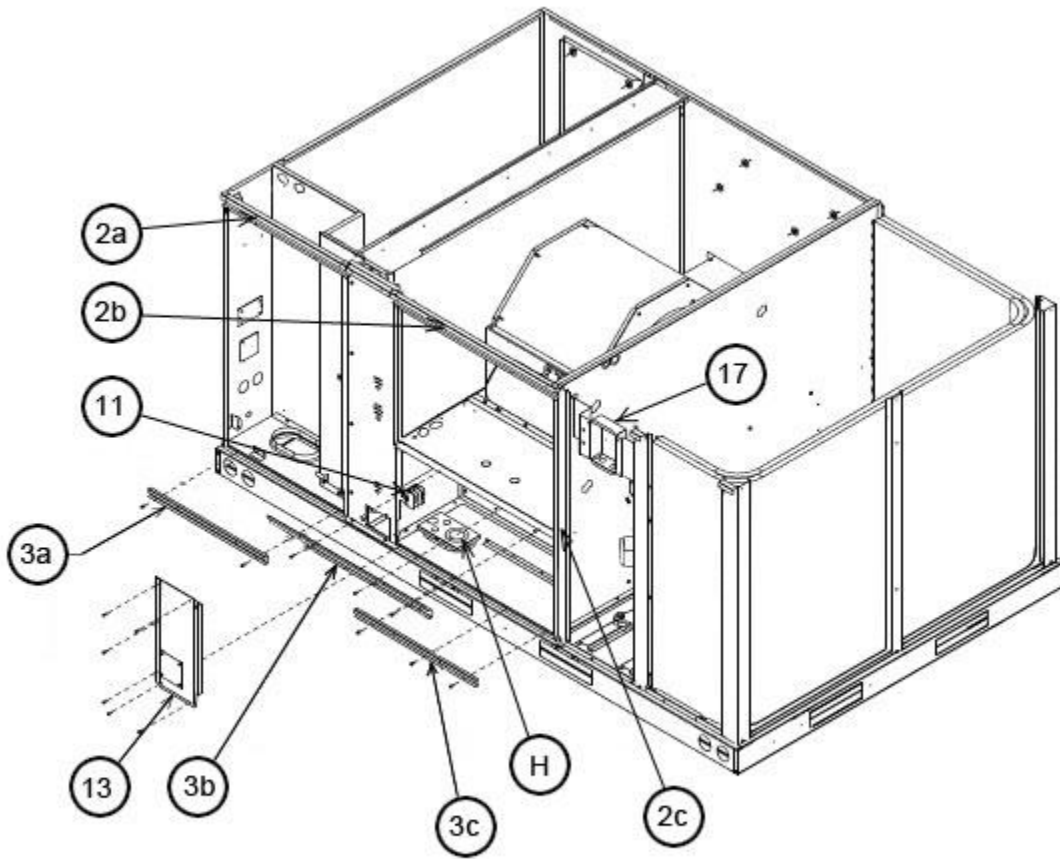
Compressor - Refrigerator Group 036-072



Exploded View 090-120

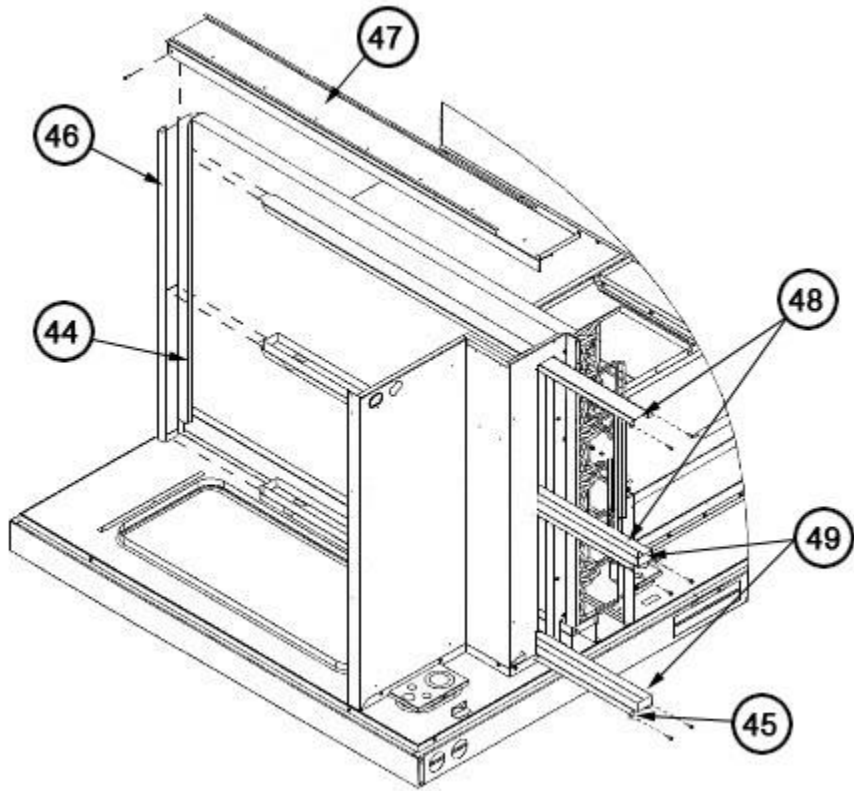


Exterior - Front 090-120

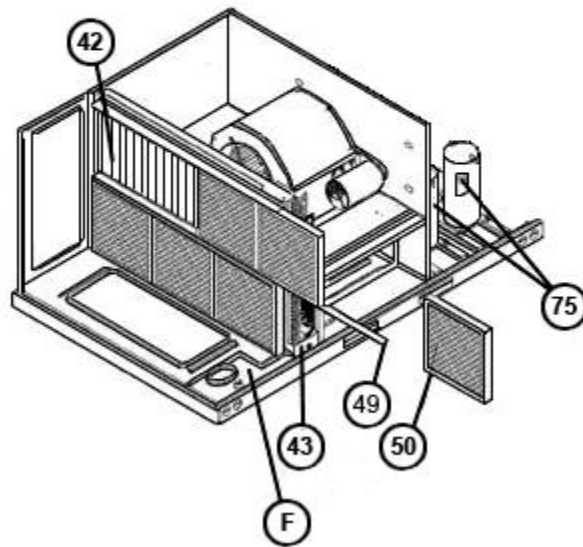


Front Panel Brackets 090-120

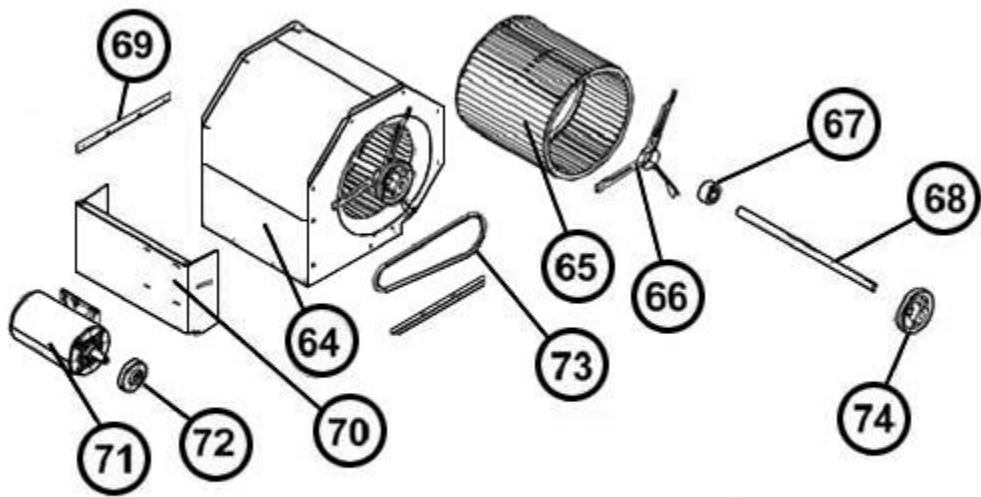




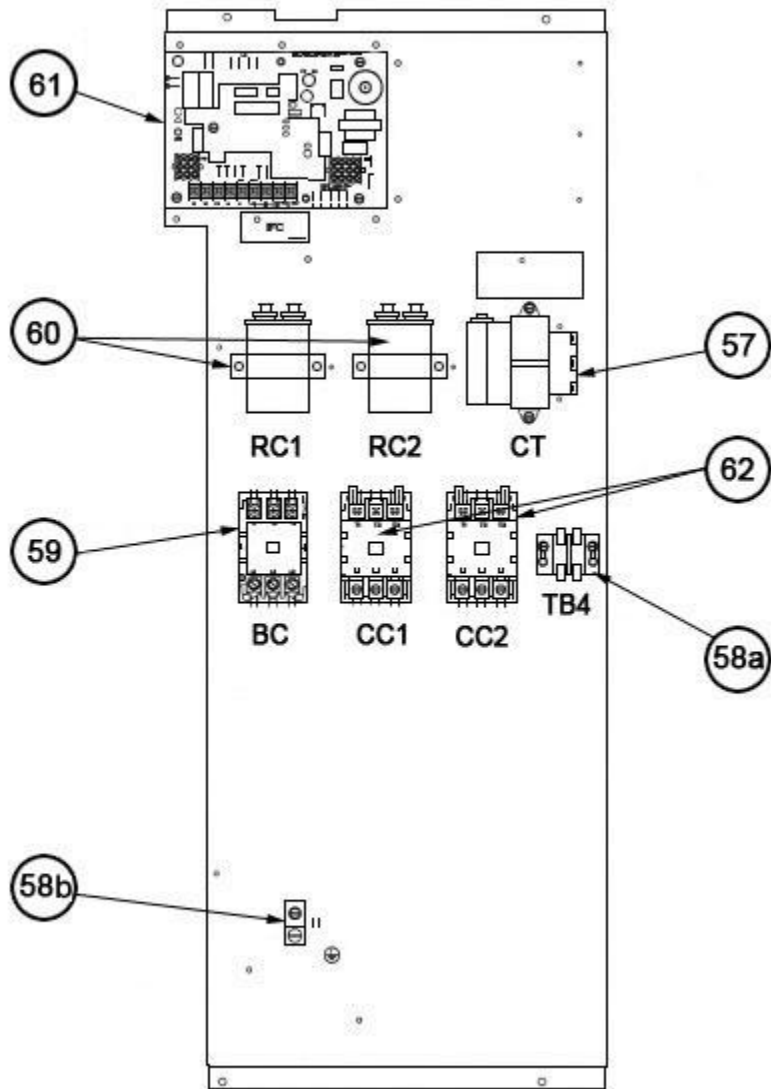
Filter Frame Assembly 090-120



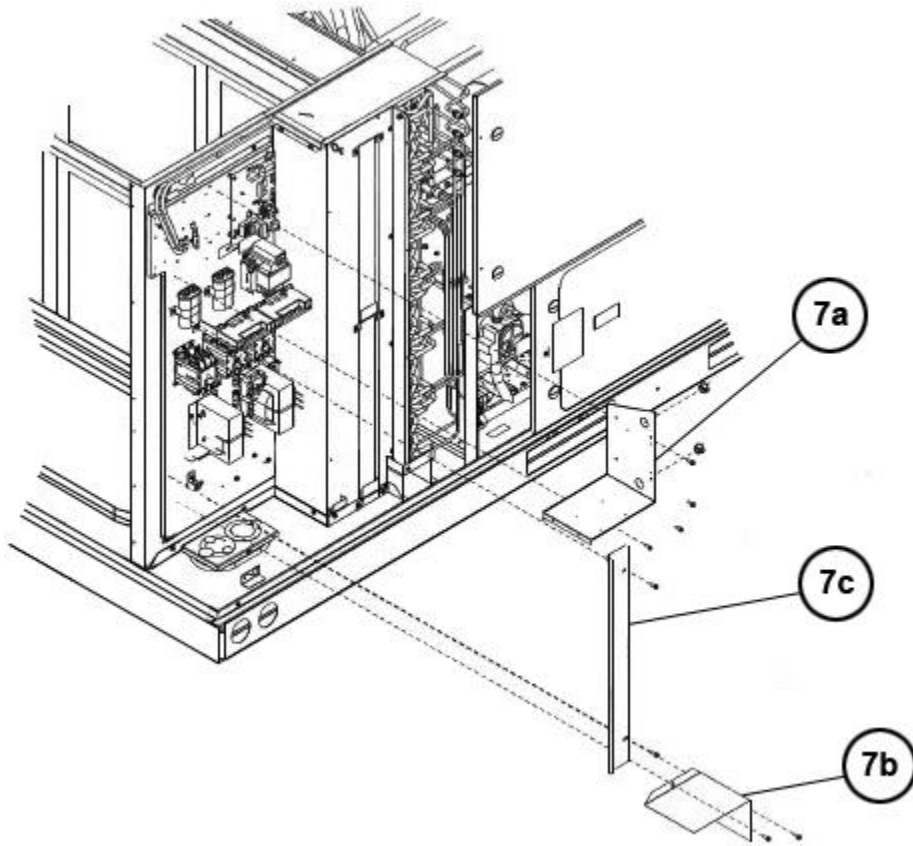
Filter-Coil Assembly 090-120



Blower Assembly 090-120



Control Box 090-120



Low Voltage Shields 090-120

# NOTES

- Stk It is recommended that stock be maintained for this part.  
N/A Not Applicable  
1 Temperature Sensors are integral with the Wiring Harness.

**DISCLAIMER:** This document is intended to provide general replacement parts information to aid qualified service personnel in the repair of these models. The complete Model and Serial Number of the unit under repair should be specified when selecting and ordering replacement parts. Specifications and illustrations are subject to change without notice. Document 92-42800-RJNL-C supersedes all previous parts lists for these models. See <http://www.rheempartslists.net/92-42800-RJNL-C> for the latest revision of this document. The manufacturer assumes no obligation for errors or omissions. Service personnel must verify the proper and safe operation of equipment after the replacement of any original components.