



RJNL-B

Parts List
13-May-2020



*This parts list is current as of the above revision date.
See <http://www.rheempartslists.net/92-42800-RJNL-B.pdf> for the current revision.*

Package Heat Pumps - Commercial

Table of Contents

Model Explanation	Page 3
 Parts Numbers	
Panels - Miscellaneous (Granite-Steel Gray) 090-120 (1)	Page 4
Panels - Miscellaneous (Granite-Steel Gray) 090-120 (2)	Page 5
Panels - Miscellaneous (Neutra Green) 090-120 (1)	Page 6
Panels - Miscellaneous (Neutra Green) 090-120 (2)	Page 7
Panels - Miscellaneous (Granite-Steel Gray) 180 (1)	Page 8
Panels - Miscellaneous (Granite-Steel Gray) 180 (2)	Page 9
Panels - Miscellaneous (Neutra Green) 180 (1)	Page 10
Panels - Miscellaneous (Neutra Green) 180 (2)	Page 11
Electrical Group 090-120 (1)	Page 12
Electrical Group 090-120 (2)	Page 13
Electrical Group 180 (1)	Page 14
Electrical Group 180 (2)	Page 15
Fan Group 090-120	Page 16
Fan Group 180	Page 17
Blower Group 090-120	Page 18
Blower Group 180	Page 19
Coil Parts 090-120	Page 20
Coil Parts 180 Gray	Page 21
Coil Parts 180 Green	Page 22
Compressor Group 090-120	Page 23
Compressor Group 180	Page 24
Heater Kits 090-120	Page 25
Heater Kits 180	Page 26
Accessories 090-120	Page 27
Accessories 180	Page 28
 Drawings/Photographs	
Exploded View 090-120	Page 29
Exterior - Front 090-120	Page 30
Front Panel Brackets 090-120	Page 31
Exterior - Back 090-120	Page 32
Filter-Coil Assembly 090-120	Page 33
Filter Frame Assembly 090-120	Page 33
Blower Assembly 090-120	Page 34
Control Box 090-120	Page 35
Low Voltage Shields 090-120	Page 36
Exterior - Front 180	Page 37
Exterior - Rear 180	Page 37
Base Pan Assembly 180	Page 38
Base Rail Assembly 180	Page 38
Front Panel Brackets 180	Page 39
Interior - Coil 180	Page 39
Heat Compartment 180	Page 40
Condenser Bulkhead 180	Page 40
Filter Frames - Low Voltage Shields 180	Page 41
Burner Assembly 180	Page 42
Control Box 180	Page 43
Blower Assembly 180	Page 44
Electric Heat Block-Off 180	Page 45
 Notes/Disclaimer	 Page 46

MODEL NUMBER EXPLANATION

R	J	N	L	-	B	090	C	L	000	AA	B
1	2	3	4		5	6	7	8	9	10	11

- | | | | |
|---|--|----|---|
| 1 | TRADE NAME | 8 | DRIVE PACKAGE
L = Belt Drive
M = Belt Drive - High Static
N = Belt Drive - High Static 090 Only |
| 2 | J = PACKAGE HEAT PUMP

Commercial | | |
| 3 | EFFICIENCY DESIGNATION

N = High Efficiency | 9 | ELECTRIC HEAT- (Resistance Heat)
000 = No Resistance Heat
010 = 10 kW Resistance Heat
015 = 15 kW Resistance Heat
020 = 20 kW Resistance Heat
030 = 30 kW Resistance Heat
040 = 40 kW Resistance Heat
050 = 50 kW Resistance Heat |
| 4 | DESIGN SERIES
L = R-410A | | |
| 5 | TECHNICAL VARIATION | | |
| 6 | COOLING CAPACITY (BTU/HR)
090 = 90,000
120 = 120,000
180 = 180,000 | 10 | OPTION CODES - FACTORY INSTALLED |
| 7 | ELECTRICAL DESIGNATION
C =
208-230/3/60
D = 460/3/60
Y = 575/3/60 | 11 | ECONOMIZER OPTIONS |

SERIAL NUMBER EXPLANATION

1234	F	50	10	00001
1	2	3	4	5

- | | |
|---|---|
| 1 | COMPRESSOR IDENTIFICATION NUMBER |
| 2 | PRODUCTION LOCATION: |
| 3 | WEEK OF PRODUCTION |
| 4 | YEAR OF PRODUCTION |
| 5 | PRODUCTION NUMBER |

No.	Notes	MODEL TECHNICAL VARIATION COOLING CAPACITY	RJNL- B 090	RJNL- B 120
PANELS - RAILS, BASE PANS, INSIDE CABINET (Granite/Steel Gray, After F4411)				
BASE RAILS:				
A		Base Rail - Front	AE-90575-15	AE-90575-15
B		Base Rail - Right	AE-90576-03	AE-90576-03
C		Base Rail - Rear	AE-90575-04	AE-90575-04
D		Base Rail - Left	AE-90576-04	AE-90576-04
BASE PANS:				
E		Outdoor Coil Base Pan	AS-90583-11H	AS-90583-11H
F		Indoor Coil Base Pan	AS-90577-12	AS-90577-12
INSIDE CABINET:				
G		Entry Plate	AE-90614-02	AE-90614-02
H		Entry Plate	AE-90614-01	AE-90614-01
J		Heat Compartment Side	AE-90598-09	AE-90598-09
K		Blower Deck	AS-90592-13	AS-90592-13
L		Wireway	AE-90718-05	AE-90718-05
M		Condenser Bulkhead	AS-90609-16	AS-90609-24

No.	Notes	MODEL TECHNICAL VARIATION COOLING CAPACITY	RJNL- B 090	RJNL- B 120
PANELS - FRONT (Granite/Steel Gray, After F4411)				
1		Control Box Door Assembly - w/Hinges, Latch, Gasket, Insulation	AS-102872-14H	AS-102872-23H
2a		Bracket - Top Panel (Left)	AS-102859-16H	AS-102859-16H
2b		Bracket - Top Panel (Center)	AS-102859-15H	AS-102859-15H
2c		Post - Blower Section	AS-102682-12H	AS-102682-15H
3a		Bracket - Bottom Panel (Left)	AS-102859-17H	AS-102859-17H
3b		Bracket - Blower/Heater Compartment	AS-102859-14H	AS-102859-14H
3c		Bracket - Bottom Panel (Right)	AS-102859-13H	AS-102859-13H
		Latch Assembly - Control Box Door (2)	64-102855-01	64-102855-01
4		Post Assembly - Indoor Coil Section	AS-90620-19H	AS-90620-20H
5		Control Box Cover	AE-90713-02	AE-90713-06
6		Control Mounting Plate	AE-90712-06	AE-90712-06
7a		Low Voltage Shield (Before F3512) - Upper Straight	AE-90742-08	AE-90742-08
7a		Low Voltage Shield (After F3512) - Upper Angled	AE-90742-12	AE-90742-12
7b		Low Voltage Shield (Before F3512) - Lower	AE-90742-03	AE-90742-10
7b		Low Voltage Shield (After F3512) - Lower	AE-90742-11	AE-90742-13
7c		Low Voltage Shield (Before F3512) - Middle Strip	AE-90742-09	AE-90742-09
7c		Low Voltage Shield (After F3512) - Middle Strip	AE-90742-09	AE-90742-14
8		Control Box Back Insulation Assembly	AS-90601-06	AS-90601-07
9		Mounting Bracket	AE-90779-02	AE-90779-02
10		Electric Heat Blockoff Plate Assembly (models with no heat)	AS-90720-02	AS-90720-02
11		Terminal Block	See Electrical Group	
12		Electric Heat Access Panel Assembly - w/Hinges, Latch, Insulation	AS-102872-18H	AS-102872-18H
		Latch Assembly - Electric Heat Door (2)	64-102855-01	64-102855-01
13		Power Entry Plate Assembly	AS-90774-11H	AS-90774-11H
14		Blower Access Panel Assembly - w/Hinges, Latch, Insulation	AS-102872-16H	AS-102872-22H
		Latch Assembly - Blower Access Panel (3)	64-102855-01	64-102855-01
16		Heat Mounting Frame Assembly	AS-90754-02	AS-90754-02
17		Access Panel - Compressor (Front)	AS-90734-10H	AS-90734-11H
18		Front Corner Post	AS-90701-06H	AS-90701-07H

No.	Notes	MODEL TECHNICAL VARIATION COOLING CAPACITY	RJNL- B 090	RJNL- B 120
PANELS - RIGHT, REAR AND LEFT SIDES (Granite/Steel Gray, After F4411)				
		RIGHT:		
19		Post	AS-90732-02H	AS-90732-06H
20		Louver Panel Assembly	See Accessories	
		REAR:		
21		Rear Corner Post	AS-90702-02H	AS-90702-05H
23		Rear Panel	AS-90618-02H	AS-90618-09H
24		Supply Cover	AS-90626-02H	AS-90626-02H
25		Return Cover	AS-90628-02H	AS-90628-02H
		LEFT:		
26a		Top Left Panel	N/A	AS-90624-10H
26		Left Panel	AS-90624-03H	AS-90624-03H
27		Lower Left Panel	AS-90624-04H	AS-90624-04H
28		Left Corner Panel	AS-90755-07H	AS-90755-08H
29		Plate - Receptacle	AS-90756-02H	AS-90756-02H
30		Plate - Disconnect	AS-90756-03H	AS-90756-03H
31		Button Plug (2)	45-22980-06	45-22980-06
32		Button Plug	45-22980-05	45-22980-05
		TOP:		
33		Top Panel Assembly	AS-90616-06H	AS-90616-06H
34		Condenser Top Panel	AS-90703-10H	AS-90703-10H
35		Venturi	AS-90632-03H (2)	AS-90632-03H (2)
36		Wire Grille	95-100906-09 (2)	95-100906-09 (2)
43		Drain Pan - Removable	See Coil Group	

No.	Notes	MODEL TECHNICAL VARIATION COOLING CAPACITY	RJNL- B 090	RJNL- B 120
PANELS - RAILS, BASE PANS, INSIDE CABINET (Neutra Green, Before F4411)				
BASE RAILS:				
A		Base Rail - Front	AE-90575-15	AE-90575-15
B		Base Rail - Right	AE-90576-03	AE-90576-03
C		Base Rail - Rear	AE-90575-04	AE-90575-04
D		Base Rail - Left	AE-90576-04	AE-90576-04
BASE PANS:				
E		Outdoor Coil Base Pan	AS-90583-11A	AS-90583-11A
F		Indoor Coil Base Pan	AS-90577-12	AS-90577-12
INSIDE CABINET:				
G		Entry Plate	AE-90614-02	AE-90614-02
H		Entry Plate	AE-90614-01	AE-90614-01
J		Heat Compartment Side	AE-90598-09	AE-90598-09
K		Blower Deck	AS-90592-13	AS-90592-13
L		Wireway	AE-90718-05	AE-90718-05
M		Condenser Bulkhead	AS-90609-16	AS-90609-24

No.	Notes	MODEL TECHNICAL VARIATION COOLING CAPACITY	RJNL- B 090	RJNL- B 120
PANELS - FRONT (Neutra Green, Before F4411)				
1		Control Box Door Assembly - w/Hinges, Latch, Gasket, Insulation	AS-102872-14A	AS-102872-23A
2a		Bracket - Top Panel (Left)	AS-102859-16A	AS-102859-16A
2b		Bracket - Top Panel (Center)	AS-102859-15A	AS-102859-15A
2c		Post - Blower Section	AS-102682-12A	AS-102682-15A
3a		Bracket - Bottom Panel (Left)	AS-102859-17A	AS-102859-17A
3b		Bracket - Blower/Heater Compartment	AS-102859-14A	AS-102859-14A
3c		Bracket - Bottom Panel (Right)	AS-102859-13A	AS-102859-13A
		Latch Assembly - Control Box Door (2)	64-102855-01	64-102855-01
4		Post Assembly - Indoor Coil Section	AS-90620-19A	AS-90620-20A
5		Control Box Cover	AE-90713-02	AE-90713-06
6		Control Mounting Plate	AE-90712-06	AE-90712-06
7a		Low Voltage Shield - Upper Straight	AE-90742-08	AE-90742-08
7b		Low Voltage Shield - Lower	AE-90742-03	AE-90742-10
7c		Low Voltage Shield - Middle Strip	AE-90742-09	AE-90742-09
8		Control Box Back Insulation Assembly	AS-90601-06	AS-90601-07
9		Mounting Bracket	AE-90779-02	AE-90779-02
10		Electric Heat Blockoff Plate Assembly (models with no heat)	AS-90720-02	AS-90720-02
11		Terminal Block	See Electrical Group	
12		Electric Heat Access Panel Assembly - w/Hinges, Latch, Insulation	AS-102872-18A	AS-102872-18A
		Latch Assembly - Electric Heat Door (2)	64-102855-01	64-102855-01
13		Power Entry Plate Assembly	AS-90774-11A	AS-90774-11A
14		Blower Access Panel Assembly - w/Hinges, Latch, Insulation	AS-102872-16A	AS-102872-22A
		Latch Assembly - Blower Access Panel (3)	64-102855-01	64-102855-01
16		Heat Mounting Frame Assembly	AS-90754-02	AS-90754-02
17		Access Panel - Compressor (Front)	AS-90734-10A	AS-90734-11A
18		Front Corner Post	AS-90701-06A	AS-90701-07A

No.	Notes	MODEL TECHNICAL VARIATION COOLING CAPACITY	RJNL- B 090	RJNL- B 120
PANELS - RIGHT, REAR AND LEFT SIDES (Neutra Green, Before F4411)				
		RIGHT:		
19		Post	AS-90732-02A	AS-90732-06A
20		Louver Panel Assembly	See Accessories	
		REAR:		
21		Rear Corner Post	AS-90702-02A	AS-90702-05A
23		Rear Panel	AS-90618-02A	AS-90618-09A
24		Supply Cover	AS-90626-02A	AS-90626-02A
25		Return Cover	AS-90628-02A	AS-90628-02A
		LEFT:		
26a		Top Left Panel	N/A	AS-90624-10A
26		Left Panel	AS-90624-03A	AS-90624-03A
27		Lower Left Panel	AS-90624-04A	AS-90624-04A
28		Left Corner Panel	AS-90755-07A	AS-90755-08A
29		Plate - Receptacle	AS-90756-02A	AS-90756-02A
30		Plate - Disconnect	AS-90756-03A	AS-90756-03A
31		Button Plug (2)	45-22980-06	45-22980-06
32		Button Plug	45-22980-05	45-22980-05
		TOP:		
33		Top Panel Assembly	AS-90616-06A	AS-90616-06A
34		Condenser Top Panel	AS-90703-10A	AS-90703-10A
35		Venturi	AS-90632-03A (2)	AS-90632-03A (2)
36		Wire Grille	95-100906-09 (2)	95-100906-09 (2)
43		Drain Pan - Removable	See Coil Group	

No.	Notes	MODEL TECHNICAL VARIATION COOLING CAPACITY	RJNL- B 180
PANELS - RAILS, BASE PANS, INSIDE CABINET (Granite/Steel Gray, After F4411)			
BASE RAILS:			
A		Front	AS-90827-03
B		Right	AE-90576-06
C		Rear	AS-90827-04
D		Left	AE-90576-05
BASE PANS:			
E		Outdoor Base Pan	AS-90583-09H
F		Indoor Coil Base Pan - Return Air	AS-90577-09
G		Indoor Coil Base Pan - Supply Air	AS-90577-10
INSIDE CABINET PANEL/PIECES:			
H 1		Entry Plate	AE-90614-01
H 2		Entry Plate - Rooftop	AE-90614-02
J		Heat Compartment Side	AE-90598-08
K		Blower Deck Assembly	AS-90592-11
L		Wireway	AE-90718-04
M		Condenser Bulkhead	AS-90609-17
N		Divider Panel - Between Coils	AE-90735-05
O		Bulkhead Support	AE-102725-01
P		Primary Drain Pan	AS-103030-02
		Air Stop - Outdoor Coil- Front	AE-90706-13
		Air Stop - Outdoor Coil- Rear	AE-90706-12
U		Coil Support Top	AE-102700-03
V		Angle - Tube Support (2)	N/A

No.	Notes	MODEL TECHNICAL VARIATION COOLING CAPACITY	RJNL- B 180
PANELS - FRONT AND RIGHT SIDES (Granite/Steel Gray, After F4411)			
1		Control Box Door Assembly - w/Hinges, Latch, Gasket, Insulation	AS-102872-04H
2a		Bracket - Top Panel (Left)	AS-102859-01H
2b		Bracket - Top Panel (Center)	AS-102969-01H
2c		Post - Blower Section	AS-102682-07H
3a		Bracket - Bottom Panel (Left)	AS-102859-02H
3b		Bracket - Blower/Heater Compartment	AS-102859-11H
3c		Bracket - Bottom Panel (Right)	AS-102859-12H
4		Post Assembly - Indoor Coil Section	AS-90620-15H
5		Control Box Cover	AE-90713-05
6		Control Mounting Panel	AE-90712-07
7a		Low Voltage Shield - Control Box (Upper Right)	AE-90742-07
7b		Low Voltage Shield - Control Box (Lower Left)	AE-90742-06
7c		Thermostat Chase Cover	AE-102722-01
8		Control Box Back	AS-90601-05
9		Mounting Bracket	AE-90779-02
10		Electric Heat Blockoff Plate Assembly (models with no heat)	AS-90720-03
11		Terminal Block - Heat Compartment	See Electrical Group
12		Electric Heat Access Panel Assembly - w/Hinges, Latch, Gasket, Insulation	AS-102872-06H
13		Power Entry Plate Assembly	AS-90774-13H
14		Blower Access Panel Assembly - w/Hinges, Latch, Gasket, Insulation	AS-102872-02H
15		Ground Lug - Heat Compartment	See Electrical Group
16		Mounting Frame - Heat Exchanger Frame	AS-90754-04
17		Condenser Coil Access Panel-Front	AS-90734-12H
38c		Post - Outdoor Coil (Front)	See Coil Group
39c		Post - Outdoor Coil (Rear)	See Coil Group
		Louver Panel (Hail Guard) - Left	AS-90789-10H
		Louver Panel (Hail Guard) - Right	AS-90789-09H

No.	Notes	MODEL TECHNICAL VARIATION COOLING CAPACITY	RJNL- B 180
PANELS - REAR, LEFT, AND TOP (Granite/Steel Gray, After F4411)			
		REAR:	
22		Condenser Coil Access Panel-Rear	AS-90734-13H
23		Rear Panel - Right	AS-90618-08H
24		Supply Cover	AS-90628-03H
25		Return Cover	AS-90628-04H
25b		Left Rear Panel (for Return Cover Mounting)	AS-90618-07HT
		LEFT:	
26		Upper Left Panel	AS-90624-09H
27		Lower Left Panel	AS-90624-08H
28		Left Corner Panel Assembly	AS-90755-05H
		Bracket - Left Corner Panel Assembly (2)	AE-90779-01
		Gasket for receptacle plate	68-42514-08
		Gasket for disconnect plate	68-42514-09
29		Plate - Install inside Panel-Receptacle	AS-90756-02H
30		Plate - Install inside Panel-Disconnect	AS-90756-03H
31		Button Plug (3)	45-42558-01
32		Star Bushing (3)	45-18515-01
		TOP:	
33a		Top Panel Assembly - Right	AS-90616-04H
33b		Top Panel Assembly - Left	AS-90616-05H
34a		Top Panel - Front	AS-90633-10H
34b		Top Panel - Middle	AS-90633-12H
34c		Top Panel - Rear	AS-90633-09H
35		Venturi	AS-90632-03H (4)
36		Wire Grille	95-100906-09 (4)
43		Drain Pan - Removable	See Coil Group

No.	Notes	MODEL TECHNICAL VARIATION COOLING CAPACITY	RJNL- B 180
PANELS - RAILS, BASE PANS, INSIDE CABINET (Neutra Green, Before F4411)			
BASE RAILS:			
A		Front	AS-90827-03
B		Right	AE-90576-06
C		Rear	AS-90827-04
D		Left	AE-90576-05
BASE PANS:			
E		Outdoor Base Pan	AS-90583-09A
F		Indoor Coil Base Pan - Return Air	AS-90577-09
G		Indoor Coil Base Pan - Supply Air	AS-90577-10
INSIDE CABINET PANEL/PIECES:			
H 1		Entry Plate	AE-90614-01
H 2		Entry Plate - Rooftop	AE-90614-02
J		Heat Compartment Side	AE-90598-08
K		Blower Deck Assembly	AS-90592-11
L		Wireway	AE-90718-04
M		Condenser Bulkhead	AS-90609-17
N		Divider Panel - Between Coils	AE-90735-05
O		Bulkhead Support	AE-102725-01
P		Primary Drain Pan	AS-103030-02
		Air Stop - Outdoor Coil- Front	AE-90706-13
		Air Stop - Outdoor Coil- Rear	AE-90706-12
U		Coil Support Top	AE-102700-03
V		Angle - Tube Support (2)	N/A

No.	Notes	MODEL TECHNICAL VARIATION COOLING CAPACITY	RJNL- B 180
PANELS - FRONT AND RIGHT SIDES (Neutra Green, Before F4411)			
1		Control Box Door Assembly - w/Hinges, Latch, Gasket, Insulation	AS-102872-04A
2a		Bracket - Top Panel (Left)	AS-102859-01A
2b		Bracket - Top Panel (Center)	AS-102969-01A
2c		Post - Blower Section	AS-102682-07A
3a		Bracket - Bottom Panel (Left)	AS-102859-02A
3b		Bracket - Blower/Heater Compartment	AS-102859-11A
3c		Bracket - Bottom Panel (Right)	AS-102859-12A
4		Post Assembly - Indoor Coil Section	AS-90620-15A
5		Control Box Cover	AE-90713-05
6		Control Mounting Panel	AE-90712-07
7a		Low Voltage Shield - Control Box (Upper Right)	AE-90742-07
7b		Low Voltage Shield - Control Box (Lower Left)	AE-90742-06
7c		Thermostat Chase Cover	AE-102722-01
8		Control Box Back	AS-90601-05
9		Mounting Bracket	AE-90779-02
10		Electric Heat Blockoff Plate Assembly (models with no heat)	AS-90720-03
11		Terminal Block - Heat Compartment	See Electrical Group
12		Electric Heat Access Panel Assembly - w/Hinges, Latch, Gasket, Insulation	AS-102872-06A
13		Power Entry Plate Assembly	AS-90774-13A
14		Blower Access Panel Assembly - w/Hinges, Latch, Gasket, Insulation	AS-102872-02A
15		Ground Lug - Heat Compartment	See Electrical Group
16		Mounting Frame - Heat Exchanger Frame	AS-90754-04
17		Condenser Coil Access Panel-Front	AS-90734-12A
38c		Post - Outdoor Coil (Front)	See Coil Group
39c		Post - Outdoor Coil (Rear)	See Coil Group

No.	Notes	MODEL TECHNICAL VARIATION COOLING CAPACITY	RJNL- B 180
PANELS - REAR, LEFT, AND TOP (Neutra Green, Before F4411)			
		REAR:	
22		Condenser Coil Access Panel-Rear	AS-90734-13A
23		Rear Panel - Right	AS-90618-08A
24		Supply Cover	AS-90628-03A
25		Return Cover	AS-90628-04A
		LEFT:	
26		Upper Left Panel	AS-90624-09A
27		Lower Left Panel	AS-90624-08A
28		Left Corner Panel Assembly	AS-90755-05A
		Bracket - Left Corner Panel Assembly (2)	AE-90779-01
		Gasket for receptacle plate	68-42514-08
		Gasket for disconnect plate	68-42514-09
29		Plate - Install inside Panel-Receptacle	AS-90756-02A
30		Plate - Install inside Panel-Disconnect	AS-90756-03A
31		Button Plug (3)	45-42558-01
32		Star Bushing (3)	45-18515-01
		TOP:	
33a		Top Panel Assembly - Right	AS-90616-04A
33b		Top Panel Assembly - Left	AS-90616-05A
34a		Top Panel - Front	AS-90633-10A
34b		Top Panel - Middle	AS-90633-12A
34c		Top Panel - Rear	AS-90633-09A
35		Venturi	AS-90632-03A (4)
36		Wire Grille	95-100906-09 (4)
43		Drain Pan - Removable	See Coil Group

No.	Notes	MODEL TECHNICAL VARIATION COOLING CAPACITY ELECTRICAL DESIGNATION	RJNL- B 090 C	RJNL- B 120 C
ELECTRIC GROUP				
11		Terminal Block	45-41669-01	45-41669-01
CONTROL BOX COMPONENTS:				
57	Stk	Transformer - Control	46-42515-04	46-42515-04
58a		Double Row Terminal Block	45-42548-02	45-42548-02
58b		Ground Lug	45-19000-02	45-19000-02
59	Stk	Contactora - Blower	42-102664-08	42-102664-08
60		Capacitor - Fan Motor	See Fan Group	
		High Pressure Control	See Coil Group	
		Low Pressure Control	See Coil Group	
61	Stk	Control Board	47-102884-01	47-102884-01
	Stk	Defrost Control Board	47-102684-02	47-102684-02
62	Stk	Compressor Contactor	42-102664-14	42-102664-19
	Stk	Defrost Relay	42-19736-05	42-19736-05
WIRING HARNESES:				
		Wiring Harness - Reversing Valve	See Coil Group	
		Wiring Harness - Motor #1	See Fan Group	
		Wiring Harness - Motor #2	See Fan Group	
		Wiring Harness - Twist-Loc 12 Pin to 9 Pin	45-102706-05	45-102706-05
		Wiring Harness - Compressor	See Compressor Group	
		Wiring Harness - Main Power	45-42522-09	45-42522-09
		Bypass Plug - Economizer 12 Pin	AS-61997-55	AS-61997-55
		Wiring Harness - 6 Pin to Heater Kit	45-102706-09	45-102706-09

No.	Notes	MODEL TECHNICAL VARIATION COOLING CAPACITY ELECTRICAL DESIGNATION	RJNL- B 090 D	RJNL- B 120 D
ELECTRIC GROUP				
11		Terminal Block	45-41669-01	45-41669-01
CONTROL BOX COMPONENTS:				
57	Stk	Transformer - Control	46-42515-05	46-42515-05
58a		Double Row Terminal Block	45-42548-02	45-42548-02
58b		Ground Lug	45-19000-02	45-19000-02
59	Stk	Contactora - Blower	42-102664-08	42-102664-08
60		Capacitor - Fan Motor	See Fan Group	
		High Pressure Control	See Coil Group	
		Low Pressure Control	See Coil Group	
61	Stk	Control Board	47-102884-01	47-102884-01
	Stk	Defrost Control Board	47-102684-02	47-102684-02
62	Stk	Compressor Contactor	42-102664-14	42-102664-19
	Stk	Defrost Relay	42-19736-05	42-19736-05
WIRING HARNESES:				
		Wiring Harness - Reversing Valve	See Coil Group	
		Wiring Harness - Motor #1	See Fan Group	
		Wiring Harness - Motor #2	See Fan Group	
		Wiring Harness - Twist-Loc 12 Pin to 9 Pin	45-102706-05	45-102706-05
		Wiring Harness - Compressor	See Compressor Group	
		Wiring Harness - Main Power	45-42522-09	45-42522-09
		Bypass Plug - Economizer 12 Pin	AS-61997-55	AS-61997-55
		Wiring Harness - 6 Pin to Heater Kit	45-102706-09	45-102706-09

No.	Notes	MODEL TECHNICAL VARIATION COOLING CAPACITY ELECTRICAL DESIGNATION	RJNL- B 090 Y	RJNL- B 120 Y
ELECTRIC GROUP				
11		Terminal Block	45-41669-01	45-41669-01
CONTROL BOX COMPONENTS:				
57	Stk	Transformer - Control	46-42515-05	46-42515-05
58a		Double Row Terminal Block	45-42548-02	45-42548-02
58b		Ground Lug	45-19000-02	45-19000-02
59	Stk	Contactora - Blower	42-102664-08	42-102664-08
60		Capacitor - Fan Motor	See Fan Group	
		High Pressure Control	See Coil Group	
		Low Pressure Control	See Coil Group	
61	Stk	Control Board	47-102884-01	47-102884-01
	Stk	Defrost Control Board	47-102684-02	47-102685-06
62	Stk	Compressor Contactor	42-102664-14	42-102664-19
	Stk	Defrost Relay	42-19736-05	42-19736-05
WIRING HARNESES:				
		Wiring Harness - Reversing Valve	See Coil Group	
		Wiring Harness - Motor #1	See Fan Group	
		Wiring Harness - Motor #2	See Fan Group	
		Wiring Harness - Twist-Loc 12 Pin to 9 Pin	45-102706-05	45-102706-05
		Wiring Harness - Compressor	See Compressor Group	
		Wiring Harness - Main Power	45-42522-09	45-42522-09
		Bypass Plug - Economizer 12 Pin	AS-61997-55	AS-61997-55
		Wiring Harness - 6 Pin to Heater Kit	45-102706-09	45-102706-09

No.	Notes	MODEL TECHNICAL VARIATION COOLING CAPACITY ELECTRICAL DESIGNATION	RJNL- B 180 C	
ELECTRIC GROUP				
11		Terminal Block - Heater Compartment	45-21134-04	
15		Ground Lug - Heater Compartment	45-19000-02	
CONTROL BOX COMPONENTS:				
57a	Stk	Transformer - Control	46-42515-04	
57b	Stk	Transformer - Control	46-42515-01	
58a		Terminal Block - Double Row	45-42548-02	
58b		Terminal Block	45-21134-04	
		Terminal Block - Power Block	45-41765-01	
58c		Ground Lug	45-19000-02	
59a	Stk	Contactora - Blower	42-102664-08	
59b	Stk	Contactora - Compressor (2)	42-102664-23	
60		Run Capacitor		See Fan Group
		High Pressure Control		See Coil Group
		Low Pressure Control		See Coil Group
61a	Stk	Defrost Control Board (2)	47-102684-02	
61b	Stk	Control Board	47-102884-01	
61c	Stk	Defrost Relay (2)	42-19736-05	
61d	Stk	Electric Heat Relay	42-19736-05	
WIRING HARNESES:				
		Wiring Harness - Motor #1 & #4		See Fan Group
		Wiring Harness - Motor #3 & #6		See Fan Group
		Plug Harness - Compressor		See Compressor Group
		Wiring Harness - Compressor Control (w/Coil and Ambient Temperature Sensors)	45-42522-113	
		Wiring Harness - Main Power	45-42522-92	
		Bypass Plug - Economizer 12 Pin	AS-61997-55	
		Wiring Harness - 6 Pin to Heater Kit	45-42522-91	
		Wiring Harness - Economizer (12 pin to 9 pin)	45-42522-89	

No.	Notes	MODEL TECHNICAL VARIATION COOLING CAPACITY ELECTRICAL DESIGNATION	RJNL- B 180 D	
ELECTRIC GROUP				
11		Terminal Block - Heater Compartment	45-21134-04	
15		Ground Lug - Heater Compartment	45-19000-02	
CONTROL BOX COMPONENTS:				
57a	Stk	Transformer - Control	46-42515-05	
57b	Stk	Transformer - Control	46-42515-02	
58a		Terminal Block - Double Row	45-42548-02	
58b		Terminal Block	45-21134-04	
		Terminal Block - Power Block	45-41765-01	
58c		Ground Lug	45-19000-02	
59a	Stk	Contactora - Blower	42-22464-01	
59b	Stk	Contactora - Compressor (2)	42-102664-23	
60		Run Capacitor		See Fan Group
		High Pressure Control		See Coil Group
		Low Pressure Control		See Coil Group
61a	Stk	Control Board	47-102884-01	
61b	Stk	Defrost Control Board (2)	47-102684-02	
61c	Stk	Defrost Relay (2)	42-19736-05	
61d	Stk	Electric Heat Relay	42-19736-05	
62	Stk	Compressor Contactora (2)	42-102664-23	
WIRING HARNESES:				
		Wiring Harness - Motor #1 & #4		See Fan Group
		Wiring Harness - Motor #3 & #6		See Fan Group
		Plug Harness - Compressor		See Compressor Group
		Wiring Harness - Compressor Control (w/Coil and Ambient Temperature Sensors)	45-42522-113	
		Wiring Harness - Main Power	45-42522-92	
		Bypass Plug - Economizer 12 Pin	AS-61997-55	
		Wiring Harness - 6 Pin to Heater Kit	45-42522-91	
		Wiring Harness - Economizer (12 pin to 9 pin)	45-42522-89	

No.	Notes	MODEL TECHNICAL VARIATION COOLING CAPACITY ELECTRICAL DESIGNATION	RJNL- B 180 Y	
ELECTRIC GROUP				
11		Terminal Block - Heater Compartment	45-21134-04	
15		Ground Lug - Heater Compartment	45-19000-02	
CONTROL BOX COMPONENTS:				
57a	Stk	Transformer - Control	46-42515-05	
57b	Stk	Transformer - Control	46-42515-02	
58a		Terminal Block - Double Row	45-42548-02	
58b		Terminal Block	45-41765-01	
		Terminal Block - Power Block	45-41765-01	
58c		Ground Lug	45-19000-02	
59a	Stk	Contactora - Blower	42-22464-01	
59b	Stk	Contactora - Compressor (2)	42-102664-23	
60		Run Capacitor		See Fan Group
		High Pressure Control		See Coil Group
		Low Pressure Control		See Coil Group
61a	Stk	Control Board	47-102884-01	
61b	Stk	Defrost Control Board (2)	47-102684-02	
61c	Stk	Defrost Relay (2)	42-19736-05	
61d	Stk	Electric Heat Relay	42-19736-05	
62	Stk	Compressor Contactora (2)	42-102664-23	
WIRING HARNESES:				
		Wiring Harness - Motor #1 & #4		See Fan Group
		Wiring Harness - Motor #3 & #6		See Fan Group
		Plug Harness - Compressor		See Compressor Group
		Wiring Harness - Compressor Control (w/Coil and Ambient Temperature Sensors)	45-42522-113	
		Wiring Harness - Main Power	45-42522-92	
		Bypass Plug - Economizer 12 Pin	AS-61997-55	
		Wiring Harness - 6 Pin to Heater Kit	45-42522-91	
		Wiring Harness - Economizer (12 pin to 9 pin)	45-42522-89	

No.	Notes	MODEL TECHNICAL VARIATION COOLING CAPACITY ELECTRICAL DESIGNATION	RJNL- B 090 C	RJNL- B 120 C
FAN GROUP				
52	Stk	Fan Motor (2)	51-42534-24	51-42534-29
		Wiring Harness - Motor #1 (12 wire)	45-102706-11	45-102706-11
		Wiring Harness - Motor #2 (5 wire)	45-102706-02	45-102706-02
53	Stk	Fan Blade (2)	70-42572-04	70-42502-03
60	Stk	Capacitor - Fan Motor (2)	43-100496-12	43-100496-41

No.	Notes	MODEL TECHNICAL VARIATION COOLING CAPACITY ELECTRICAL DESIGNATION	RJNL- B 090 D	RJNL- B 120 D
FAN GROUP				
52	Stk	Fan Motor (2)	51-42534-25	51-42534-28
		Wiring Harness - Motor #1 (12 wire)	45-102706-11	45-102706-11
		Wiring Harness - Motor #2 (5 wire)	45-102706-02	45-102706-02
53	Stk	Fan Blade (2)	70-42572-04	70-42502-03
60	Stk	Capacitor - Fan Motor (2)	43-100496-12	43-100496-12

No.	Notes	MODEL TECHNICAL VARIATION COOLING CAPACITY ELECTRICAL DESIGNATION	RJNL- B 090 Y	RJNL- B 120 Y
FAN GROUP				
52	Stk	Fan Motor (2)	51-42534-26	51-42534-27
		Wiring Harness - Motor #1 (12 wire)	45-102706-11	45-102706-11
		Wiring Harness - Motor #2 (5 wire)	45-102706-02	45-102706-02
53	Stk	Fan Blade (2)	70-42572-04	70-42502-03
60	Stk	Capacitor - Fan Motor (2)	43-100496-12	43-100496-48

No.	Notes	MODEL TECHNICAL VARIATION COOLING CAPACITY ELECTRICAL DESIGNATION	RJNL- B 180 C
FAN GROUP			
52	Stk	Fan Motor	51-42534-24 (4)
		Wiring Harness - Motor #1 & #4	45-42522-71
		Wiring Harness - Motor #2 & #5	N/A
		Wiring Harness - Motor #3 & #6	45-42522-69
53	Stk	Fan Blade	70-42572-04 (4)
60	Stk	Run Capacitor	43-100496-12 (4)

No.	Notes	MODEL TECHNICAL VARIATION COOLING CAPACITY ELECTRICAL DESIGNATION	RJNL- B 180 D
FAN GROUP			
52	Stk	Fan Motor	51-42534-25 (4)
		Wiring Harness - Motor #1 & #4	45-42522-71
		Wiring Harness - Motor #2 & #5	N/A
		Wiring Harness - Motor #3 & #6	45-42522-69
53	Stk	Fan Blade	70-42572-04 (4)
60	Stk	Run Capacitor	43-100496-12 (4)

No.	Notes	MODEL TECHNICAL VARIATION COOLING CAPACITY ELECTRICAL DESIGNATION	RJNL- B 180 Y
FAN GROUP			
52	Stk	Fan Motor	51-42534-26 (4)
		Wiring Harness - Motor #1 & #4	45-42522-71
		Wiring Harness - Motor #2 & #5	N/A
		Wiring Harness - Motor #3 & #6	45-42522-69
53	Stk	Fan Blade	70-42572-04 (4)
60	Stk	Run Capacitor	43-100496-12 (4)

No.	Notes	MODEL TECHNICAL VARIATION COOLING CAPACITY DRIVE PACKAGE	RJNL- B 090 L	RJNL- B 120 L
BLOWER ASSEMBLY GROUP - BELT DRIVE				
64	Stk	Blower Housing Assembly (Includes Blower Housing and items 65,66,67,68)	AS-90757-01	AS-90757-01
65	Stk	Blower Wheel	70-42540-02	70-42540-02
66		Bearing Frame Tri-Arm (2)	70-42540-05	70-42540-05
67		Bearing with Bearing Lock (2)	70-41854-02	70-41854-02
68	Stk	Blower Shaft	70-42540-04	70-42540-04
69		Blower Mounting Angles (2)	AE-90708-01	AE-90708-01
		Blower Angle Stop	AE-90709-02	AE-90709-02
70		Motor Mount	AS-90824-01	AS-90824-01
71	Stk	Blower Motor - C/D Voltages	51-42536-01	51-42536-01
71	Stk	Blower Motor - Y Voltage	51-42536-02	51-42536-02
72	Stk	Variable Sheave	71-42538-02	71-42538-02
73	Stk	Belt	71-40438-30	71-40438-27
74	Stk	Fixed Sheave	71-100774-05	71-100774-02
		Key	94-42551-09	94-42551-09
	Stk	Bushing for Sheave w/Screws	71-100773-01	71-100773-01

No.	Notes	MODEL TECHNICAL VARIATION COOLING CAPACITY DRIVE PACKAGE	RJNL- B 090 M	RJNL- B 120 M
BLOWER ASSEMBLY GROUP - BELT DRIVE				
64	Stk	Blower Housing Assembly (Includes Blower Housing and items 65,66,67,68)	AS-90757-01	AS-90757-01
65	Stk	Blower Wheel	70-42540-02	70-42540-02
66		Bearing Frame Tri-Arm (2)	70-42540-05	70-42540-05
67		Bearing with Bearing Lock (2)	70-41854-02	70-41854-02
68	Stk	Blower Shaft	70-42540-04	70-42540-04
69		Blower Mounting Angles (2)	AE-90708-01	AE-90708-01
		Blower Angle Stop	AE-90709-02	AE-90709-02
70		Motor Mount	AE-90710-04	AE-90710-04
71	Stk	Blower Motor - C/D Voltages	51-42536-01	51-42537-01
71	Stk	Blower Motor - Y Voltage	51-42536-02	51-42537-02
72	Stk	Variable Sheave	71-42538-02	71-42538-02
73	Stk	Belt	71-40438-27	71-40438-23
74	Stk	Fixed Sheave	71-100774-02	71-100774-04
		Key	94-42551-09	94-42551-09
	Stk	Bushing for Sheave w/Screws	71-100773-01	71-100773-01

No.	Notes	MODEL TECHNICAL VARIATION COOLING CAPACITY DRIVE PACKAGE	RJNL- B 090 N	
BLOWER ASSEMBLY GROUP - BELT DRIVE				
64	Stk	Blower Housing Assembly (Includes Blower Housing and items 65,66,67,68)	AS-90757-01	
65	Stk	Blower Wheel	70-42540-02	
66		Bearing Frame Tri-Arm (2)	70-42540-05	
67		Bearing with Bearing Lock (2)	70-41854-02	
68	Stk	Blower Shaft	70-42540-04	
69		Blower Mounting Angles (2)	AE-90708-01	
		Blower Angle Stop	AE-90709-02	
70		Motor Mount	AE-90710-04	
71	Stk	Blower Motor - C/D Voltages	51-42537-01	
71	Stk	Blower Motor - Y Voltage	51-42537-02	
72	Stk	Variable Sheave	71-42538-02	
73	Stk	Belt	71-40438-23	
74	Stk	Fixed Sheave	71-100774-04	
		Key	94-42551-09	
	Stk	Bushing for Sheave w/Screws	71-100773-01	

No.	Notes	MODEL TECHNICAL VARIATION COOLING CAPACITY DRIVE PACKAGE	RJNL- B 180 L	
BLOWER ASSEMBLY GROUP - BELT DRIVE				
64	Stk	Blower Assembly (includes Bearing Frame and Blower Wheel) (2)	AS-90757-06	
65	Stk	Blower Wheel (2)	70-42564-02	
66		Bearing Frame Tri-Arm (4)	70-42284-04	
67		Bearing with Bearing Lock (4)	70-41854-02	
68	Stk	Blower Shaft	70-42564-03	
69		Blower Connector Angles (3)	AE-90798-01	
70		Motor Mount	AE-90710-03	
71	Stk	Blower Motor - C/D Voltages	51-42537-01	
71	Stk	Blower Motor - Y Voltage	51-42537-02	
72	Stk	Variable Sheave	71-42538-02	
73	Stk	Belt	71-40438-43	
74a	Stk	Fixed Sheave	71-100774-08	
74b		Key	94-42551-09	
74c	Stk	Bushing for Sheave w/Screws	71-100773-01	

No.	Notes	MODEL TECHNICAL VARIATION COOLING CAPACITY DRIVE PACKAGE	RJNL- B 180 M	
BLOWER ASSEMBLY GROUP - BELT DRIVE				
64	Stk	Blower Assembly (includes Bearing Frame and Blower Wheel) (2)	AS-90757-06	
65	Stk	Blower Wheel (2)	70-42564-02	
66		Bearing Frame Tri-Arm (4)	70-42284-04	
67		Bearing with Bearing Lock (4)	70-41854-02	
68	Stk	Blower Shaft	70-42564-03	
69		Blower Connector Angles (3)	AE-90798-01	
70		Motor Mount	AE-90710-03	
71	Stk	Blower Motor - C/D Voltages	51-102826-06	
71	Stk	Blower Motor - Y Voltage	51-102826-08	
72	Stk	Variable Sheave	71-40427-04	
73	Stk	Belt	71-40438-46	
74a	Stk	Fixed Sheave	71-100774-08	
74b		Key	94-42551-09	
74c	Stk	Bushing for Sheave w/Screws	71-100773-01	

No.	Notes	MODEL TECHNICAL VARIATION COOLING CAPACITY	RJNL- B 090	RJNL- B 120
COIL GROUP				
EVAPORATOR COIL GROUP:				
42	Stk	Evaporator Coil	AS-90656-73	AS-90656-78
	Stk	Distributor Assembly	83-102781-04	83-102781-05
43	Stk	Drain Pan - Removable	68-102699-02	68-102699-02
FILTER PIECES:				
44		Filter Frame	AE-90606-11	AE-90606-12
45		Air Stop - Bottom	AE-102712-10	AE-102712-10
46		Air Stop - Side	AE-102712-06	AE-102712-12
47		Top Air Stop Assembly	AS-90604-06	AS-90604-06
48		Filter Channel (2)	AE-102712-08	AE-102712-08
49		Filter Slide (2)	AE-102712-11	AE-102712-11
50		Filter (6)	54-42541-01	54-42541-01
CONDENSER COIL:				
37	Stk	Condenser Coil	AS-103040-01	AS-103076-01
	Stk	Distributor Assembly	83-100844-10	83-100844-11
	Stk	Filter Drier - Liquid Line	83-41714-06	83-103080-01
		Strap - Filter Drier	AE-102132-01 (2)	AE-102132-01 (2)
	Stk	High Pressure Control	47-102290-01	47-102290-01
	Stk	Low Pressure Control	47-102240-04	47-102240-04
REFRIGERATION:				
	Stk	TXV	61-102211-27	61-102211-21
	Stk	Reversing Valve	61-102498-03	61-102498-08
	Stk	Solenoid Coil	61-101713-92	61-101713-92
		Wiring Harness - Reversing Valve	61-26149-01	61-26149-01

No.	Notes	MODEL TECHNICAL VARIATION COOLING CAPACITY	RJNL- B 180
COIL GROUP (Granite/Steel Gray, After F4411)			
EVAPORATOR COIL GROUP:			
40		Air Flow Panel	AS-90828-02H
42	Stk	Complete Coil - Indoor	AS-103301-02
	Stk	Distributor Assembly	83-102781-06
43	Stk	Drain Pan - Removable	68-102699-01
FILTER PIECES:			
44		Filter Frame	AE-90606-10
45		Air Stop - Bottom	AE-102712-17
46		Air Stop - Side	AE-102712-14
47		Top Air Stop Assembly	AS-90604-04
48		Filter Channel (2)	AE-102712-16
49		Filter Slide (2)	AE-102712-15
50		Filter - 20 in. x 25 in. x 2 in. (8)	54-42541-04
CONDENSER COIL:			
37	Stk	Condenser Coil Assemblby (2)	AS-103318-02
	Stk	Distributor Assembly	83-100844-12
38a		Air Stop - Front	AE-90706-13
38b		Corner Brace - Top Front	AS-90706-16H
38c		Post - Front	AS-90706-14H
39a		Air Stop - Rear	AE-90706-12
39b		Corner Brace - Top Rear	AS-90706-17H
39c		Post - Rear	AS-90706-15H
41		Air Stop- Top Right	AS-90753-08H
41a		Top Support - Inner Condenser Coil (2)	AE-90612-21
41b		Top Support - Outer Condenser Coil	AE-90612-20
41c		Top Support - Condenser Bulkhead	AE-90612-18
		Filter Drier - Liquid Line (2)	83-103080-01
	Stk	High Pressure Control (2)	47-102290-01
	Stk	Low Pressure Control (2)	47-102240-04
REFRIGERATION:			
	Stk	TXV (2)	61-102211-30
	Stk	Reversing Valve	61-102498-03
	Stk	Solenoid Coil	61-101713-92
		Wiring Harness - Reversing Valve	61-26149-01

No.	Notes	MODEL TECHNICAL VARIATION COOLING CAPACITY	RJNL- B 180
COIL GROUP (Neutra Green, Before F4411)			
EVAPORATOR COIL GROUP:			
40		Air Flow Panel	AS-90828-02A
42	Stk	Complete Coil - Indoor	AS-103301-02
	Stk	Distributor Assembly	83-102781-06
43	Stk	Drain Pan - Removable	68-102699-01
FILTER PIECES:			
44		Filter Frame	AE-90606-10
45	1	Air Stop - Bottom (Before F1811) - See Note 1	AE-102712-05
45		Air Stop - Bottom (After F1811)	AE-102712-17
46	1	Air Stop - Side (Before F1811) - See Note 1	AE-102712-01
46		Air Stop - Side (After F1811)	AE-102712-14
47		Top Air Stop Assembly	AS-90604-04
48	1	Filter Channel (2) (Before F1811) - See Note 1	AE-102712-03
48		Filter Channel (2) (After F1811)	AE-102712-16
49	1	Filter Slide (2) (Before F1811) - See Note 1	AE-102712-02
49		Filter Slide (2) (After F1811)	AE-102712-15
50		Filter - 20 in. x 25 in. x 2 in. (8)	54-42541-04
CONDENSER COIL:			
37	Stk	Condenser Coil Assembly (2)	AS-103318-02
	Stk	Distributor Assembly	83-100844-12
38a		Air Stop - Front	AE-90706-13
38b		Corner Brace - Top Front	AS-90706-16A
38c		Post - Front	AS-90706-14A
39a		Air Stop - Rear	AE-90706-12
39b		Corner Brace - Top Rear	AS-90706-17A
39c		Post - Rear	AS-90706-15A
41		Air Stop- Top Right	AS-90753-08A
41a		Top Support - Inner Condenser Coil (2)	AE-90612-21
41b		Top Support - Outer Condenser Coil	AE-90612-20
41c		Top Support - Condenser Bulkhead	AE-90612-18
		Filter Drier - Liquid Line (2)	83-103080-01
	Stk	High Pressure Control (2)	47-102290-01
	Stk	Low Pressure Control (2)	47-102240-04
REFRIGERATION:			
	Stk	TXV (2)	61-102211-30
	Stk	Reversing Valve	61-102498-03
	Stk	Solenoid Coil	61-101713-92
		Wiring Harness - Reversing Valve	61-26149-01

No.	Notes	MODEL	RJNL- B 090 C	RJNL- B 120 C
		TECHNICAL VARIATION COOLING CAPACITY ELECTRICAL DESIGNATION		
COMPRESSOR GROUP				
		Compressor ID:	7974	7985
75	Stk	Compressor	55-23156-20S	55-102471-01S
	Stk	Crankcase Heater	44-17402-10	44-17402-17
		Charge Compensator	N/C	83-102322-02
		Wiring Harness - Compressor	45-102706-12	45-102706-13

No.	Notes	MODEL	RJNL- B 090 D	RJNL- B 120 D
		TECHNICAL VARIATION COOLING CAPACITY ELECTRICAL DESIGNATION		
COMPRESSOR GROUP				
		Compressor ID:	7975	7986
75	Stk	Compressor	55-23156-21S	55-102471-04S
	Stk	Crankcase Heater	44-17402-11	44-17402-18
		Charge Compensator	N/C	83-102322-02
		Wiring Harness - Compressor	45-102706-12	45-102706-13

No.	Notes	MODEL	RJNL- B 090 Y	RJNL- B 120 Y
		TECHNICAL VARIATION COOLING CAPACITY ELECTRICAL DESIGNATION		
COMPRESSOR GROUP				
		Compressor ID:	7976	7988
75	Stk	Compressor	55-23156-22S	55-102471-05S
	Stk	Crankcase Heater	44-17402-12	44-17402-19
		Charge Compensator	N/C	83-102322-02
		Wiring Harness - Compressor	45-102706-12	45-102706-13

No.	Notes	MODEL TECHNICAL VARIATION COOLING CAPACITY ELECTRICAL DESIGNATION	RJNL- B 180 C	
COMPRESSOR GROUP				
		Compressor:	8327	
75	Stk	Compressor #1	55-23156-20S	
75	Stk	Compressor #2	55-23156-20S	
		Plug Harness - Compressor #1	45-42522-73	
		Plug Harness - Compressor #2	45-42522-72	
		High Pressure Control		See Coil Group
		Low Pressure Control		See Coil Group

No.	Notes	MODEL TECHNICAL VARIATION COOLING CAPACITY ELECTRICAL DESIGNATION	RJNL- B 180 D	
COMPRESSOR GROUP				
		Compressor:	8328	
75	Stk	Compressor #1	55-23156-21S	
75	Stk	Compressor #2	55-23156-21S	
		Plug Harness - Compressor #1	45-42522-73	
		Plug Harness - Compressor #2	45-42522-72	
		High Pressure Control		See Coil Group
		Low Pressure Control		See Coil Group

No.	Notes	MODEL TECHNICAL VARIATION COOLING CAPACITY ELECTRICAL DESIGNATION	RJNL- B 180 Y	
COMPRESSOR GROUP				
		Compressor:	8329	
75	Stk	Compressor #1	55-23156-22S	
75	Stk	Compressor #2	55-23156-22S	
		Plug Harness - Compressor #1	45-42522-73	
		Plug Harness - Compressor #2	45-42522-72	
		High Pressure Control		See Coil Group
		Low Pressure Control		See Coil Group

No.	Notes	MODEL TECHNICAL VARIATION COOLING CAPACITY ELECTRICAL DESIGNATION	RJNL- B 090-120 C	RJNL- B 090-120 D	RJNL- B 090 Y
HEATER KITS					
		Heater Kit - 15kW	RXJJ-CC15C	RXJJ-CC15D	RXJJ-CC15Y
		Heater Kit - 20kW	RXJJ-CC20C	RXJJ-CC20D	RXJJ-CC20Y
		Heater Kit - 30kW	RXJJ-CC30C	RXJJ-CC30D	RXJJ-CC30Y
		Heater Kit - 40kW	RXJJ-CC40C	RXJJ-CC40D	RXJJ-CC40Y

No.	Notes	MODEL TECHNICAL VARIATION COOLING CAPACITY	RJNL- B 180	RJNL- B 180	RJNL- B 180	RJNL- B 180
ELECTRIC HEATER KITS - ELECTRICAL DESGINATION C						
		Electric Element Kits - Option	RXJJ-CE20C	RXJJ-CE40C	RXJJ-CE60C	RXJJ-CE75C
ELECTRIC HEATER KITS - ELECTRICAL DESGINATION D						
		Electric Element Kits - Option	RXJJ-CE20D	RXJJ-CE40D	RXJJ-CE60D	RXJJ-CE75D
ELECTRIC HEATER KITS - ELECTRICAL DESGINATION Y						
		Electric Element Kits - Option	RXJJ-CE20Y	RXJJ-CE40Y	RXJJ-CE60Y	RXJJ-CE75Y

No.	Notes	MODEL TECHNICAL VARIATION COOLING CAPACITY	RJNL- B 090-120
ACCESSORIES			
		Carbon Dioxide Sensor	RXRX-AR02
		Dual Enthalpy Kit	RXRX-AV02
		Manual Fresh Air (Left Panel Mounted) - Neutra Green	RXRF-KDA1
		Manual Fresh Air (Left Panel Mounted) - Granite/Steel Gray	AXRF-KDA1
		Motor Kit for RXRF-KDA1/AXRF-KDA1	RXRX-AW02
		Manual Fresh Air (Left Panel Mounted) - Neutra Green	RXRF-KDA1
		Manual Fresh Air (Left Panel Mounted) - Granite/Steel Gray	AXRF-KDA1
		Manual Fresh Air (Return Panel) - Neutra Green	RXRF-JDA1
		Manual Fresh Air (Return Panel) - Granite/Steel Gray	AXRF-JDA1
		Motorized Fresh Air (Return Panel) - Neutra Green	RXRF-JDB1
		Motorized Fresh Air (Return Panel) - Granite/Steel Gray	AXRF-JDB1
		Louver Kit - Outdoor Coil (090) - Neutra Green	RXRX-AAD01H
		Louver Kit - Outdoor Coil (090) - Granite/Steel Gray	AXRX-AAD01H
		Louver Kit - Outdoor Coil (120) - Neutra Green	RXRX-AAD01J
		Louver Kit - Outdoor Coil (120) - Granite/Steel Gray	AXRX-AAD01J
		Freeze Stat	RXRX-AM05
		Non-Powered Convenience Outlet	RXRX-AN01
		Low Ambient Control Kit	RXRZ-A03

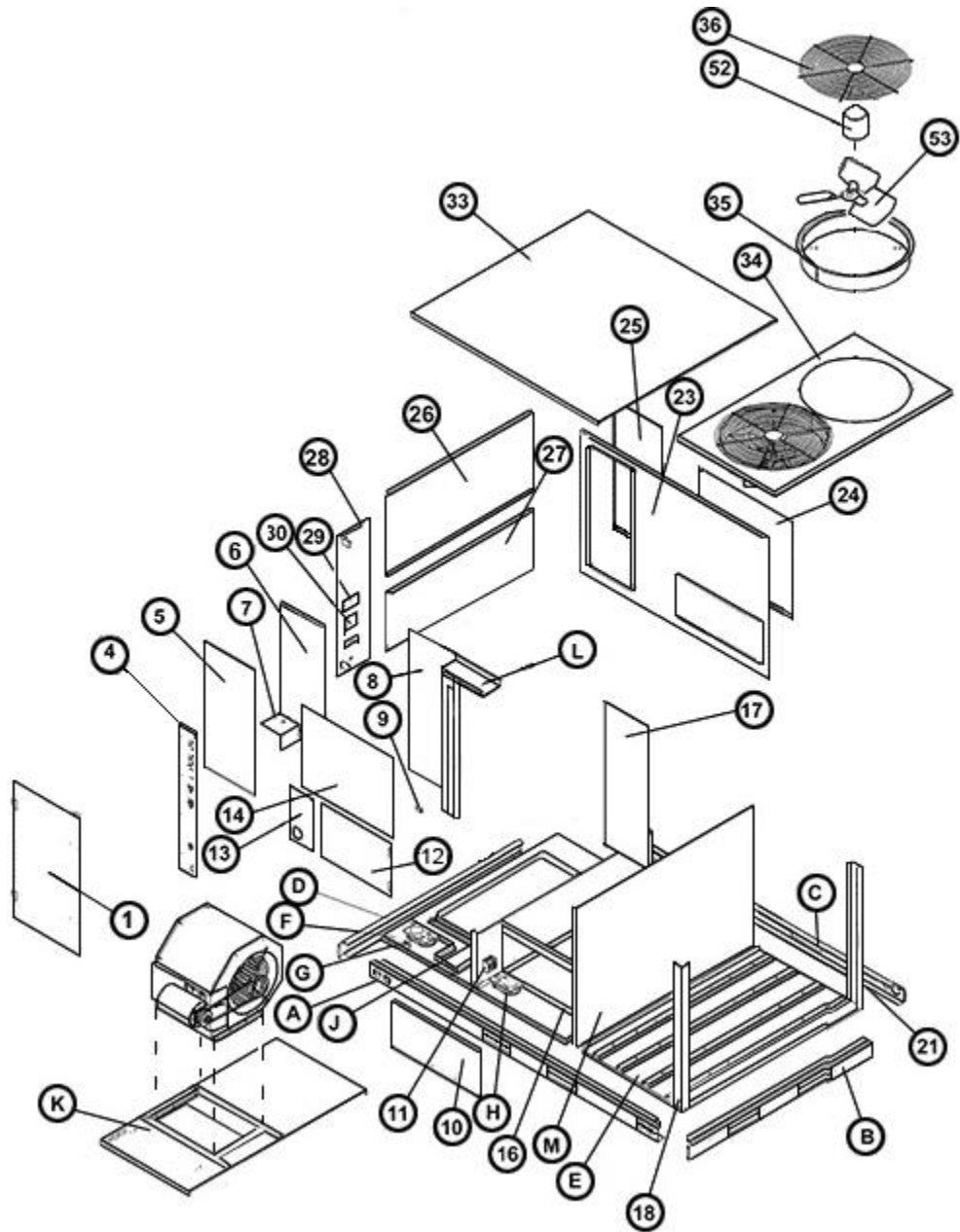
No.	Notes	MODEL TECHNICAL VARIATION COOLING CAPACITY	RJNL- B 090-120
ECONOMIZERS			
		Economizer - Single Enthalpy (Neutra Green)	RXRD-PDCM3
		Economizer - Single Enthalpy (Granite/Steel Gray)	AXRD-PDCM3
		Economizer - Single Enthalpy w/Smoke Detector (Neutra Green)	RXRD-PDCM3
		Economizer - Single Enthalpy w/Smoke Detector (Granite/Steel Gray)	AXRD-PDCM3
		Horizontal Economizer - Single Enthalpy (Neutra Green)	RXRD-RDCM3
		Horizontal Economizer - Single Enthalpy (Granite/Steel Gray)	AXRD-RDCM3

No.	Notes	MODEL TECHNICAL VARIATION COOLING CAPACITY	RJNL- B 090-120
POWER EXHAUST			
		Power Exhaust	RXRX-BFF02C
		Power Exhaust	RXRX-BFF02D
		Power Exhaust	RXRX-BFF02Y

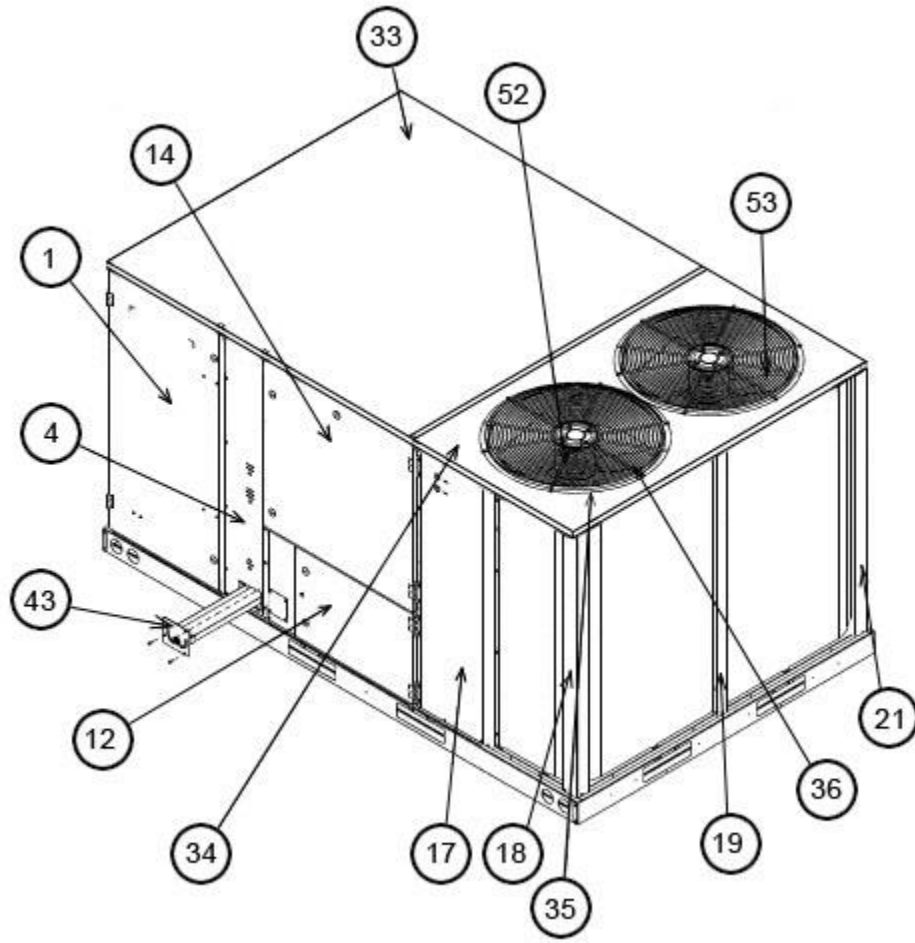
No.	Notes	MODEL TECHNICAL VARIATION COOLING CAPACITY	RJNL- B 180
ACCESSORIES			
		Carbon Dioxide Sensor	RXR-AR02
		Dual Enthalpy Kit	RXR-AV02
		Manual Fresh Air Damper - Neutra Green	RXR-KFA1
		Manual Fresh Air Damper - Granite/Steel Gray	AXR-KFA1
		Motorized Kit for RXR-KFA1/AXR-KFA1	RXR-AW03
		Freeze Stat Kit	RXR-AM05
		Unwired Convenience Outlet	RXR-AN01
		Low Ambient Control Kit (1 Per Compressor)	RXRZ-C02
		Louver Panel Kit (Hail Guard) - Left and Right (Granite/Steel Gray)	AXR-AAD01L

No.	Notes	MODEL TECHNICAL VARIATION COOLING CAPACITY	RJNL- B 180
ECONOMIZERS			
		Downflow Economizer - Single Enthalpy (Neutra Green)	RXR-PGCM3
		Downflow Economizer - Single Enthalpy (Granite/Steel Gray)	AXR-PGCM3
		Downflow Economizer - Single Enthalpy w/Smoke Detector (Neutra Green)	RXR-SGCM3
		Downflow Economizer - Single Enthalpy w/Smoke Detector (Granite/Steel Gray)	AXR-SGCM3
		Horizontal Economizer - Single Enthalpy (Neutra Green)	RXR-RGCM3
		Horizontal Economizer - Single Enthalpy (Granite/Steel Gray)	AXR-RGCM3

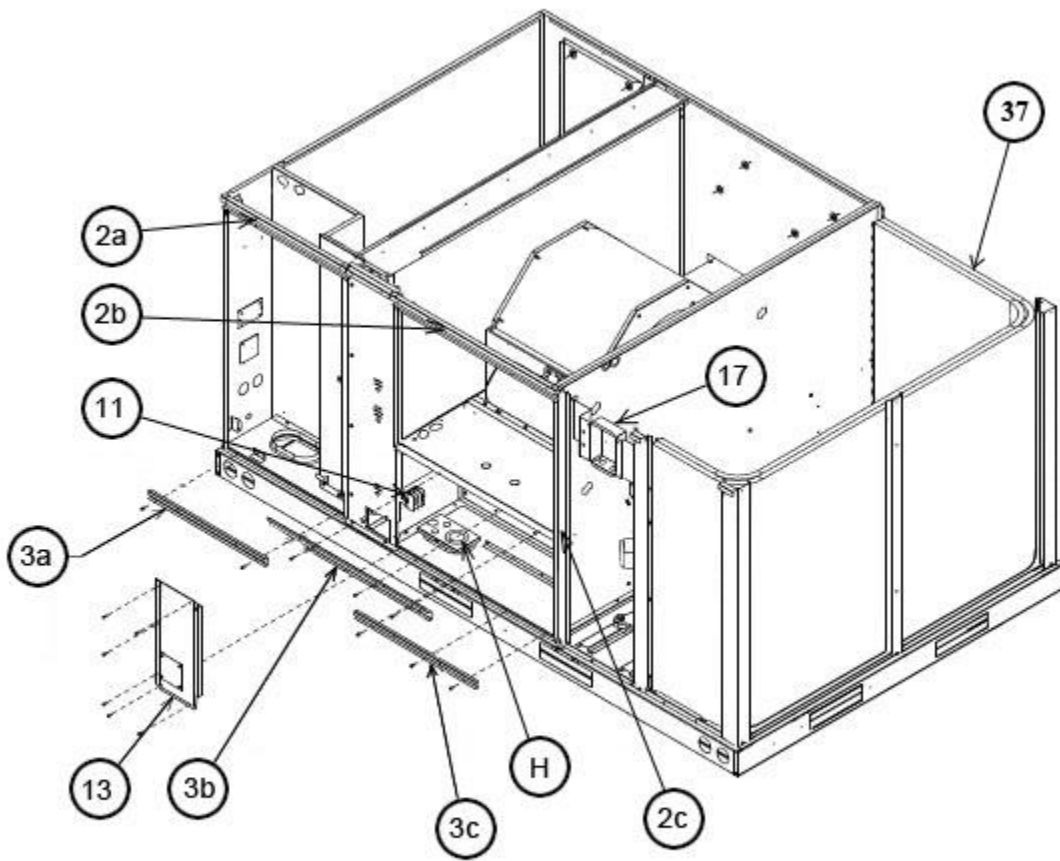
No.	Notes	MODEL TECHNICAL VARIATION COOLING CAPACITY	RJNL- B 180
POWER EXHAUST			
		Power Exhaust	RXR-BGF05C
		Power Exhaust	RXR-BGF05D
		Power Exhaust	RXR-BGF05Y



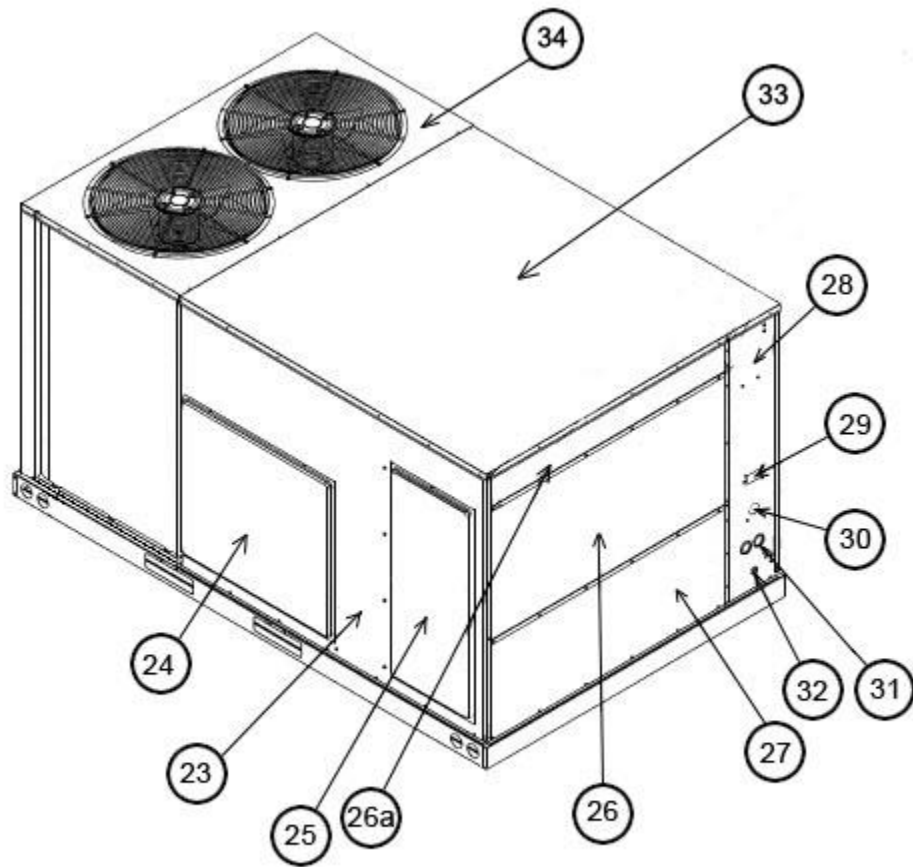
Exploded View 090-120



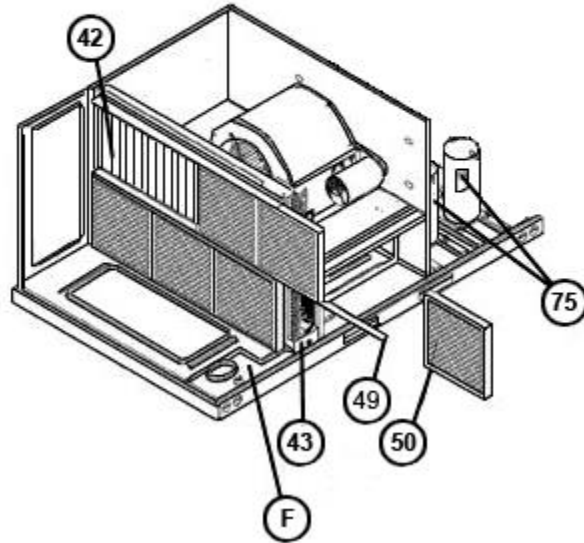
Exterior - Front 090-120



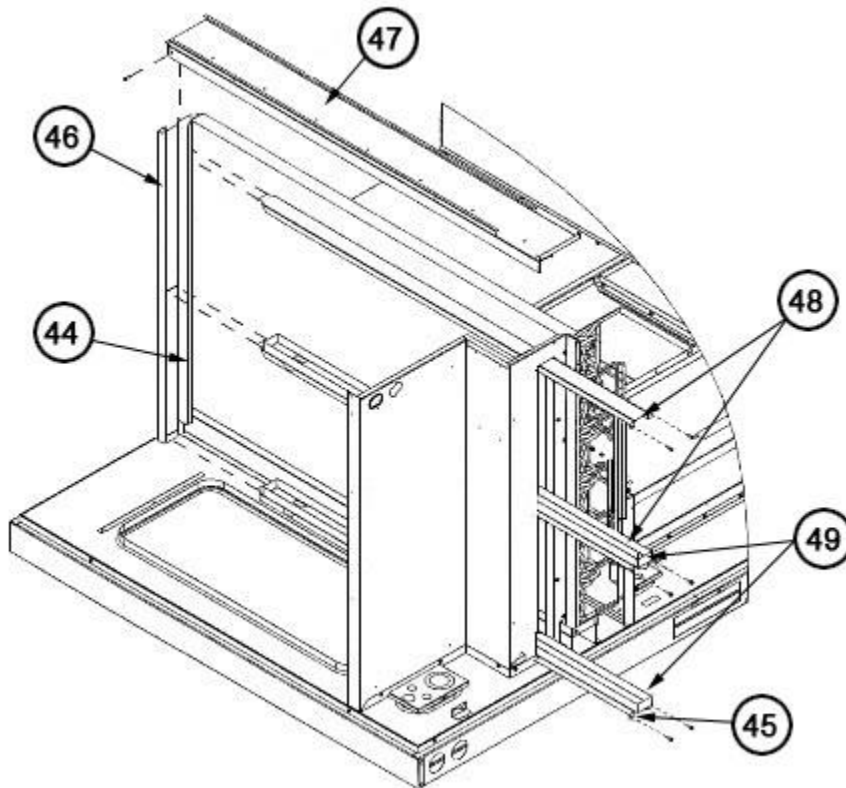
Front Panel Brackets 090-120



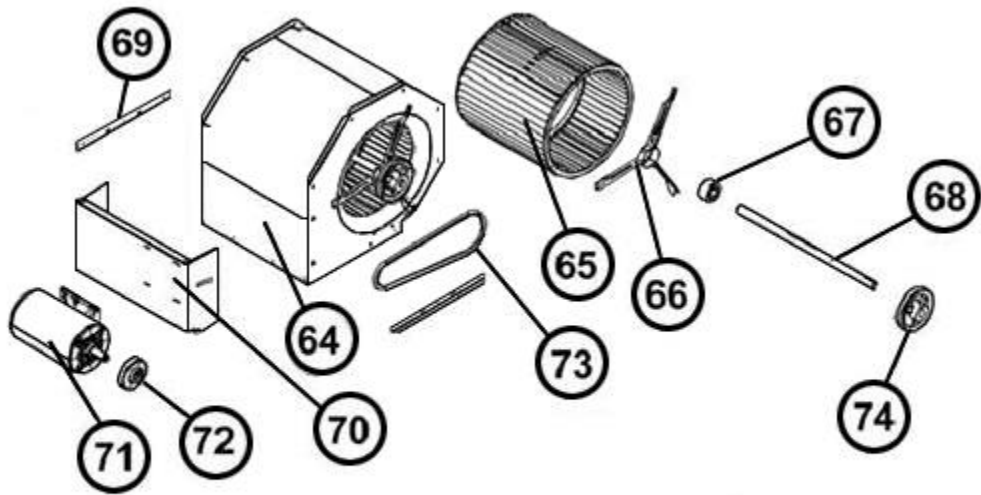
Exterior - Back 090-120



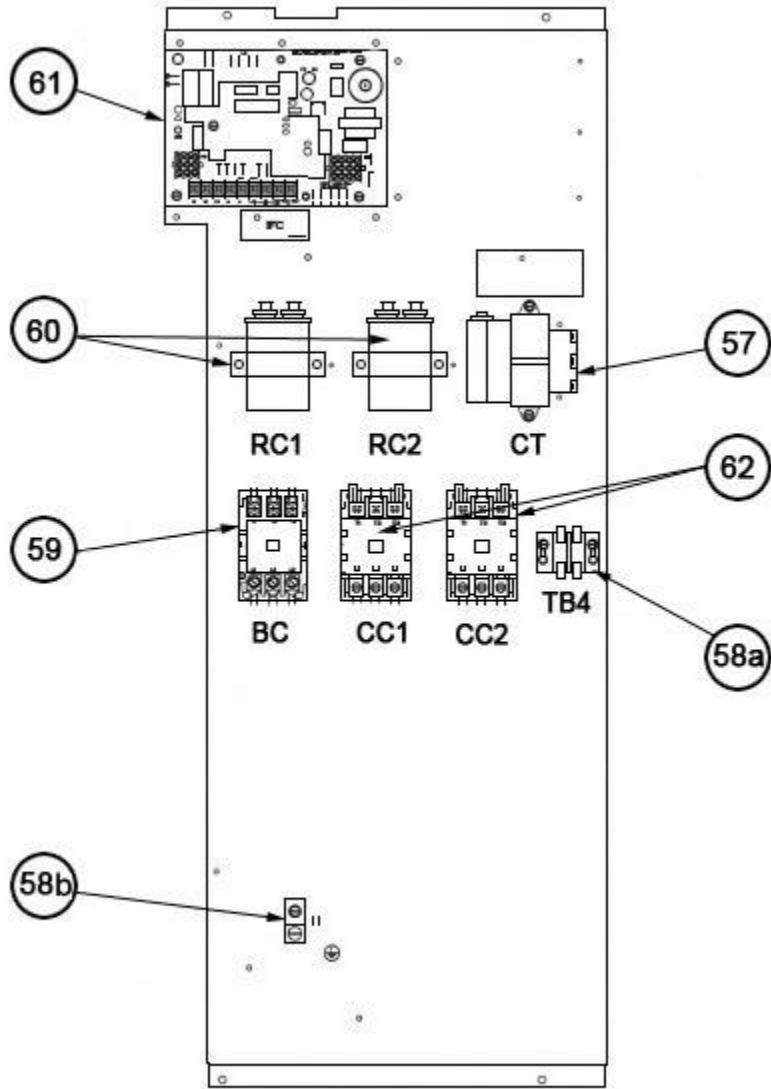
Filter-Coil Assembly 090-120



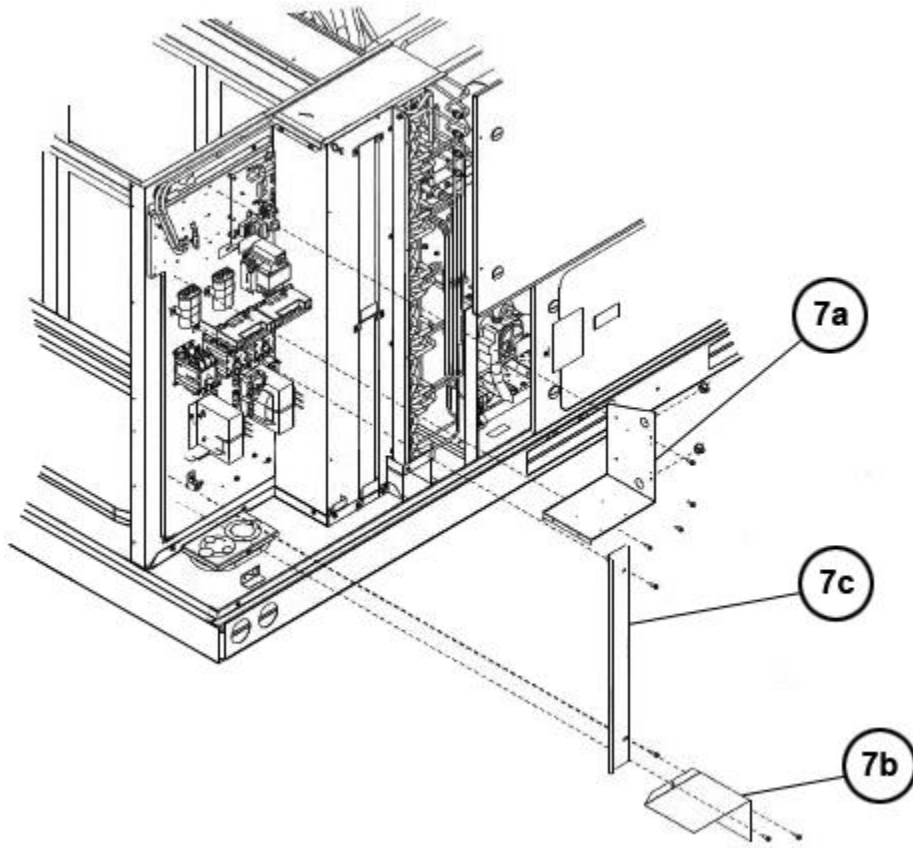
Filter Frame Assembly 090-120



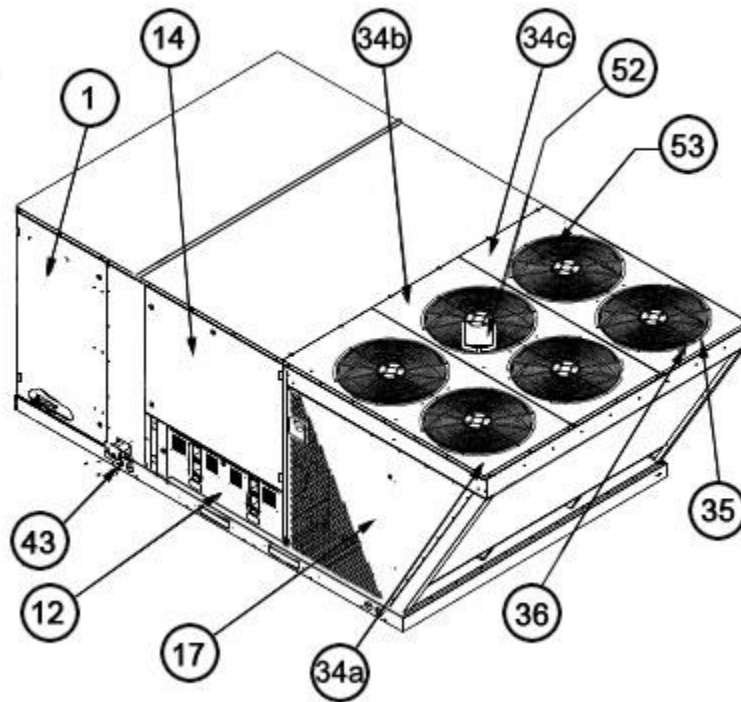
Blower Assembly 090-120



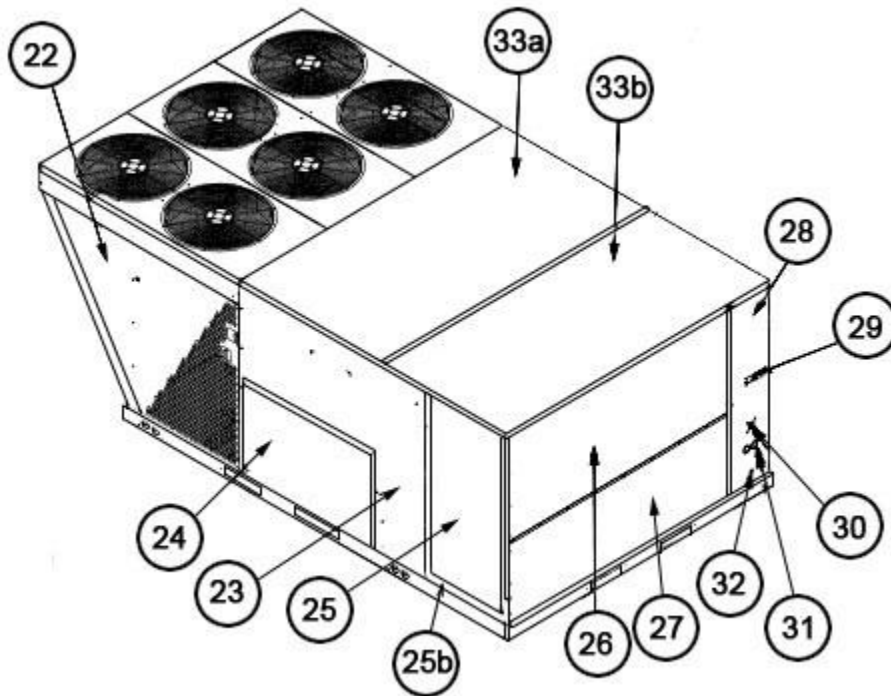
Control Box 090-120



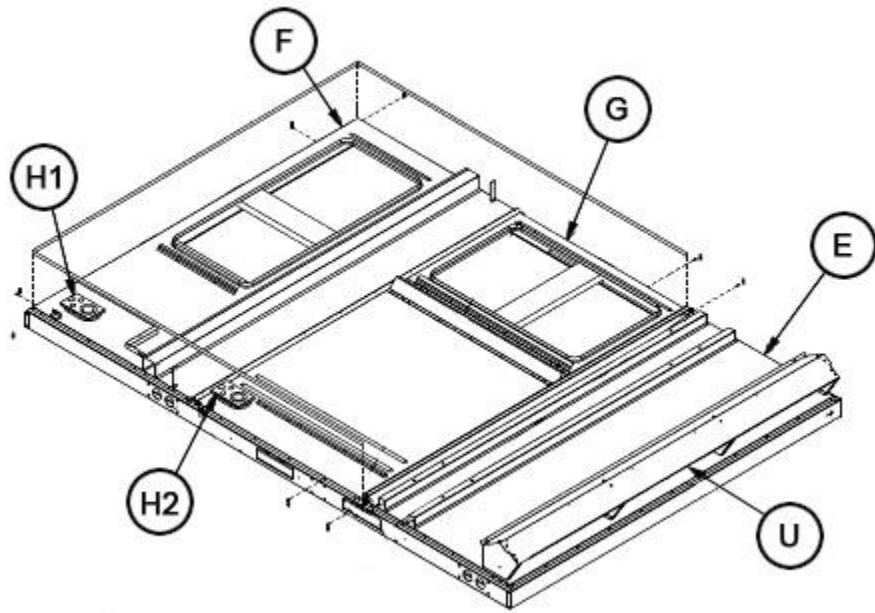
Low Voltage Shields 090-120



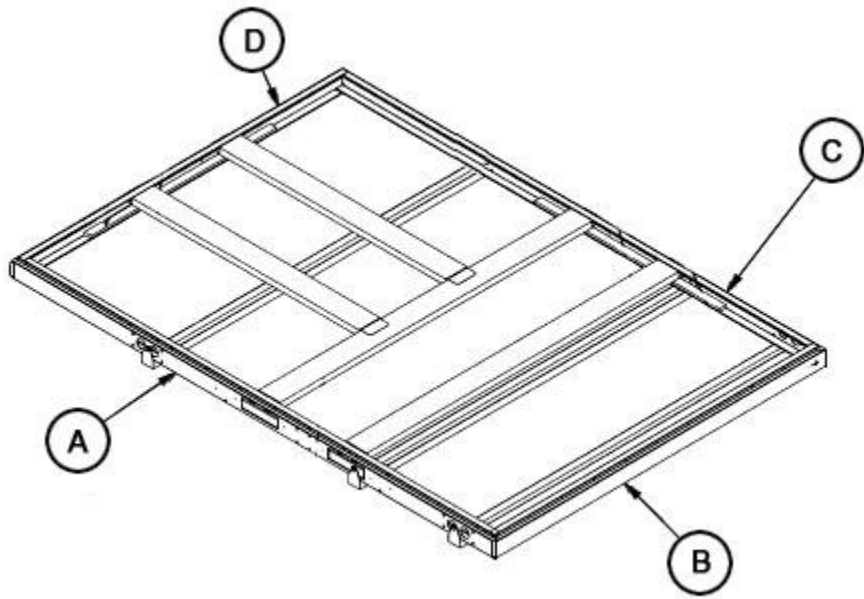
Exterior - Front 180



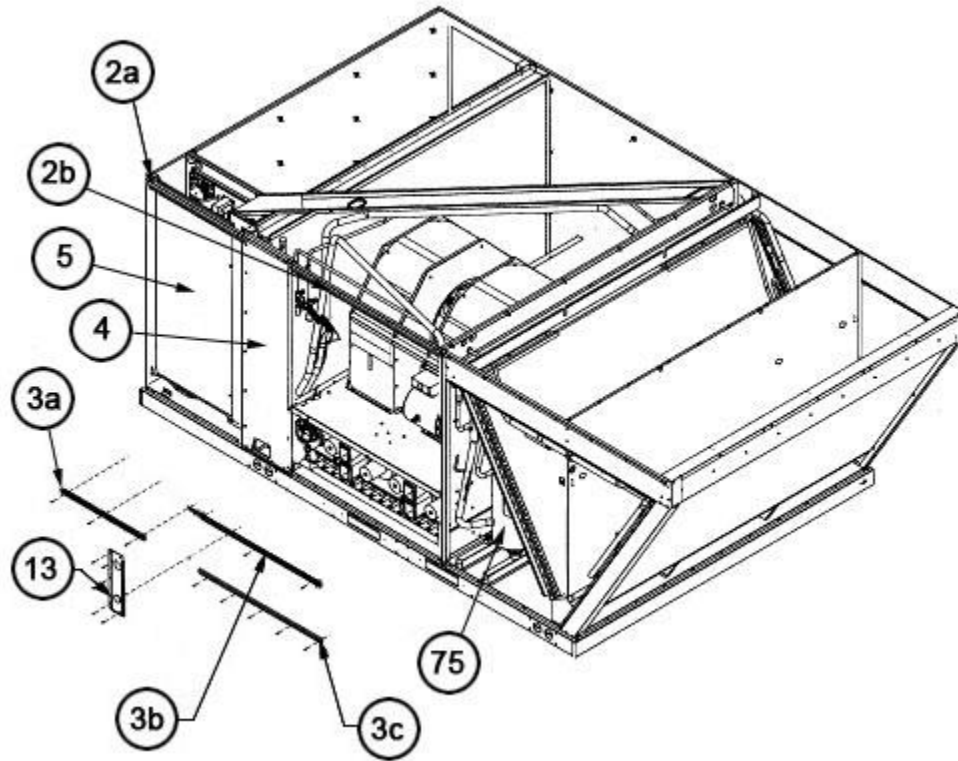
Exterior - Rear 180



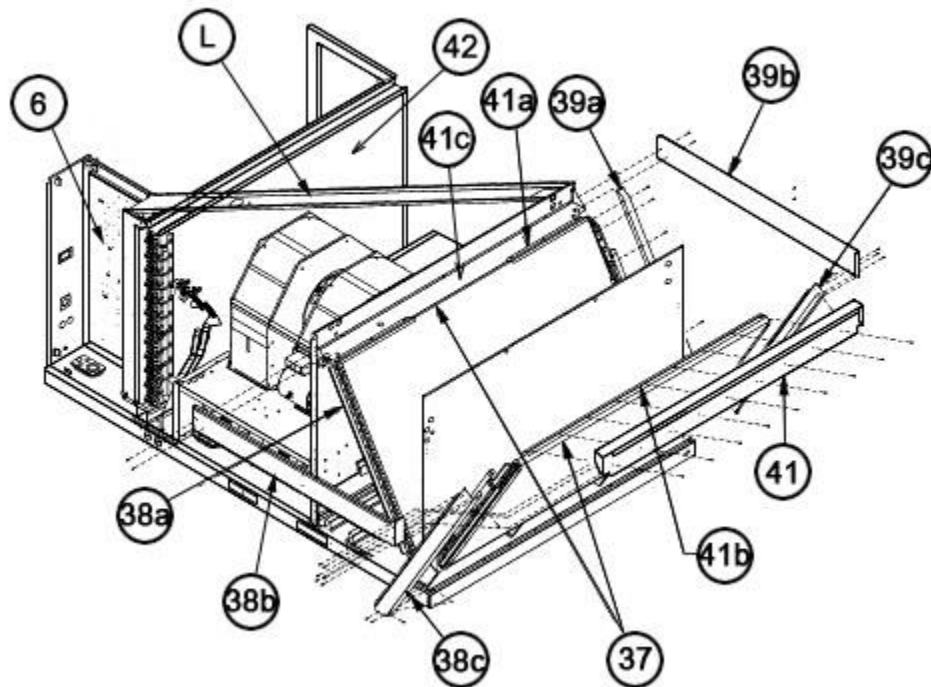
Base Pan Assembly 180



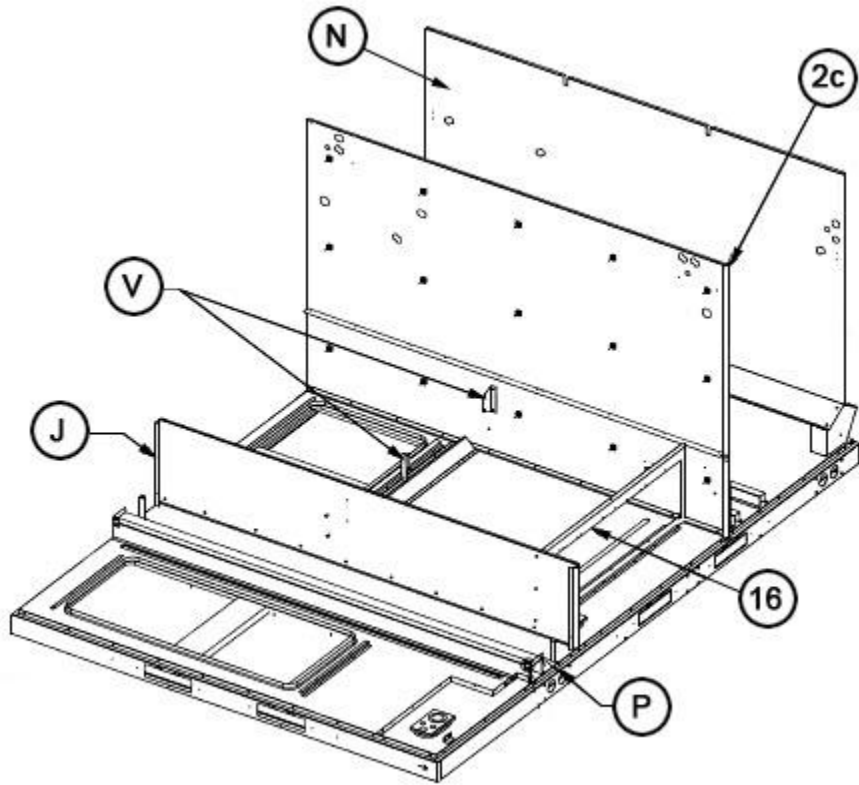
Base Rail Assembly 180



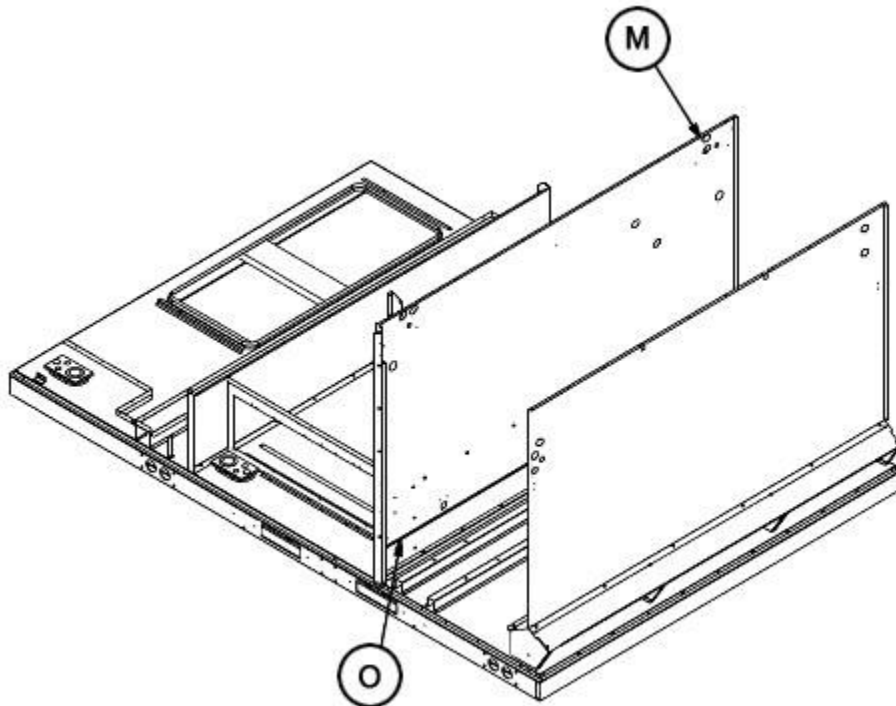
Front Panel Brackets 180



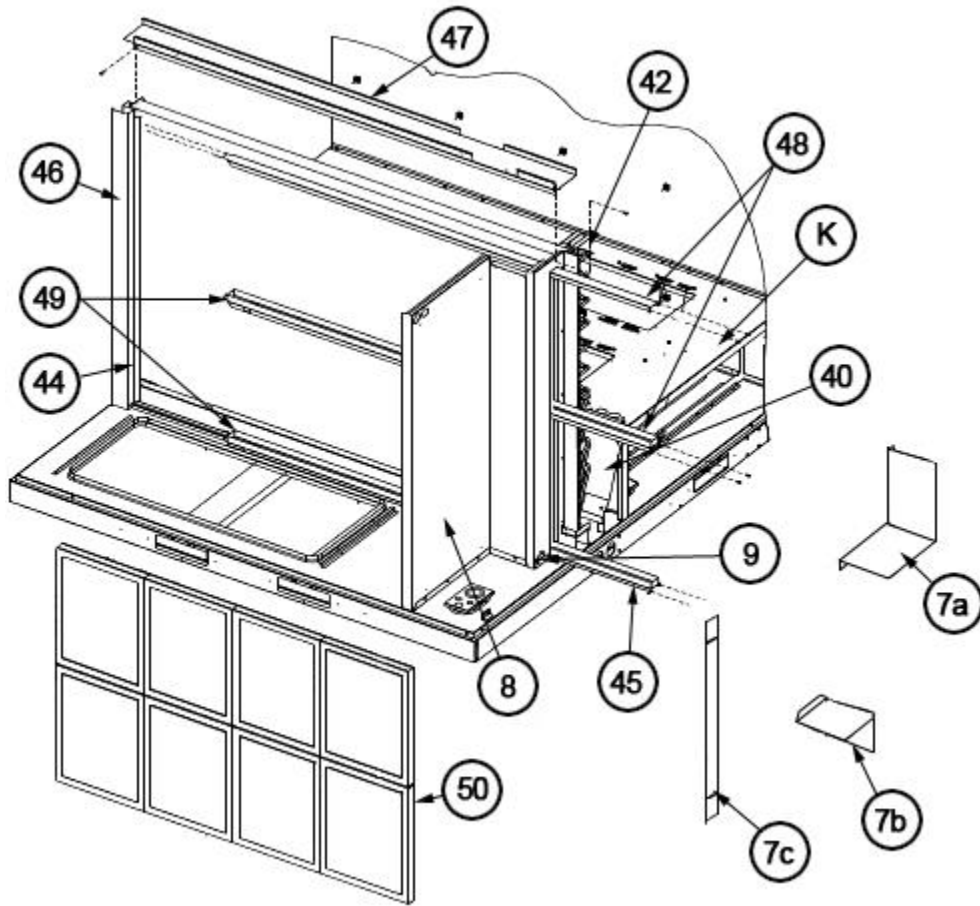
Interior - Coil 180



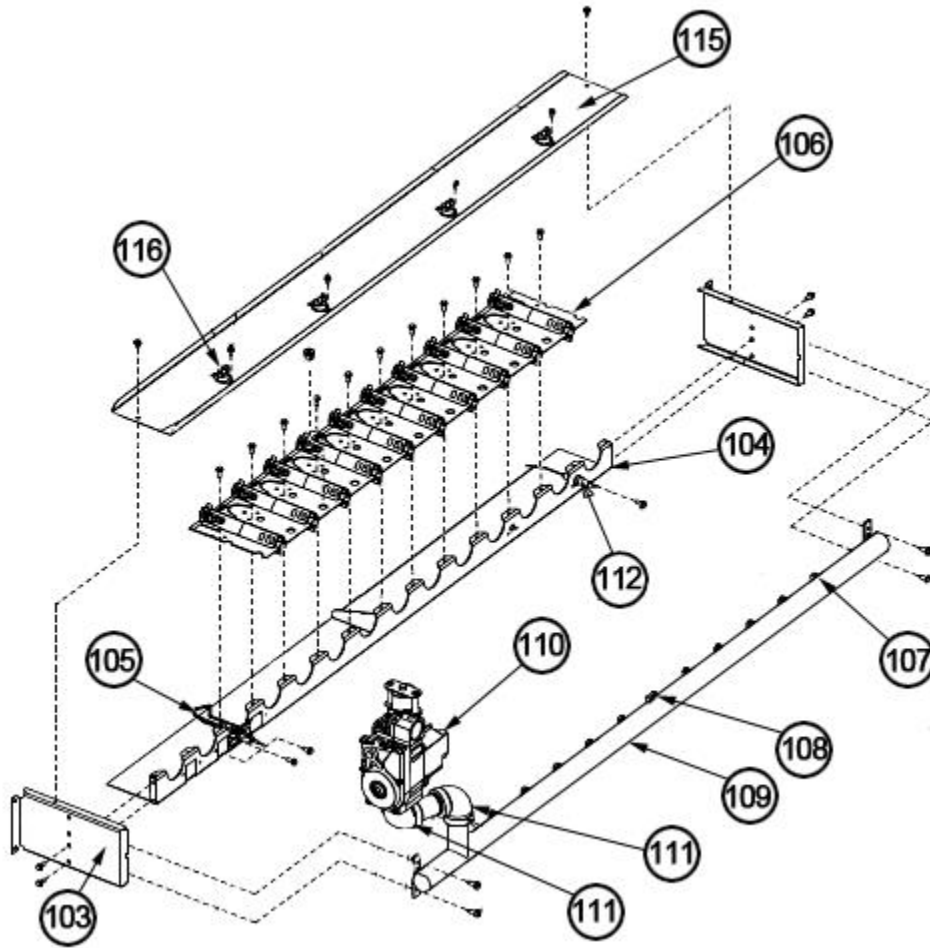
Heat Compartment 180



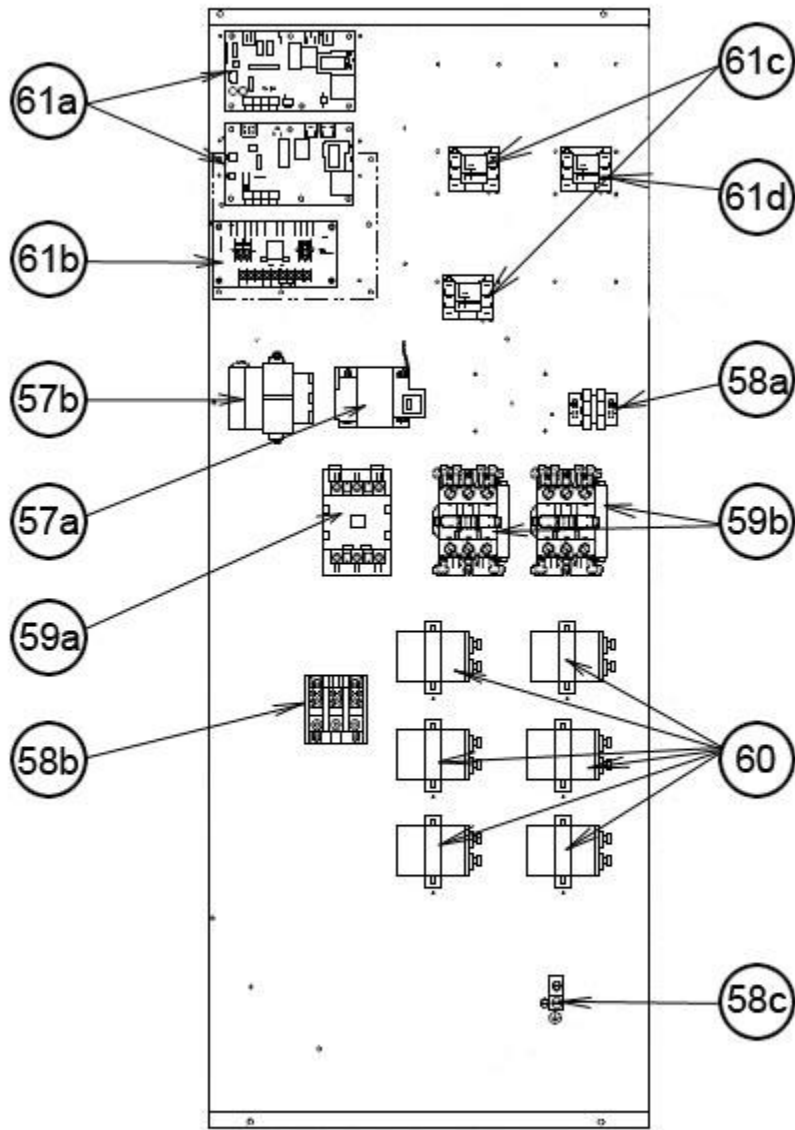
Condenser Bulkhead 180



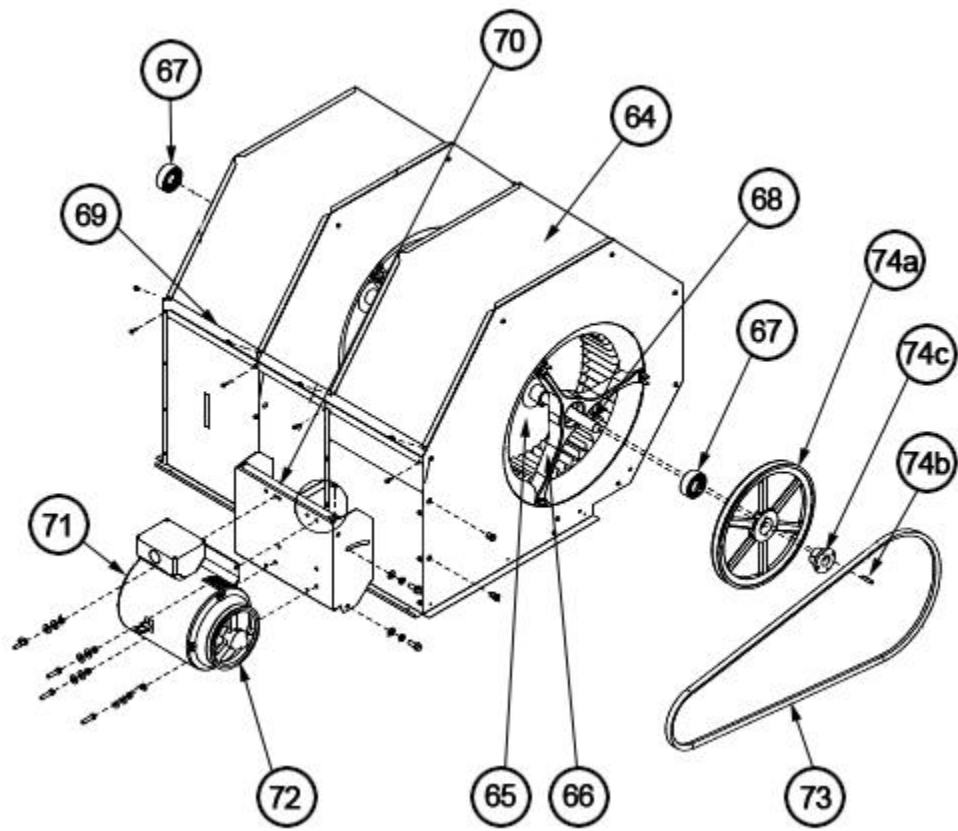
Filter Frames - Low Voltage Shields 180



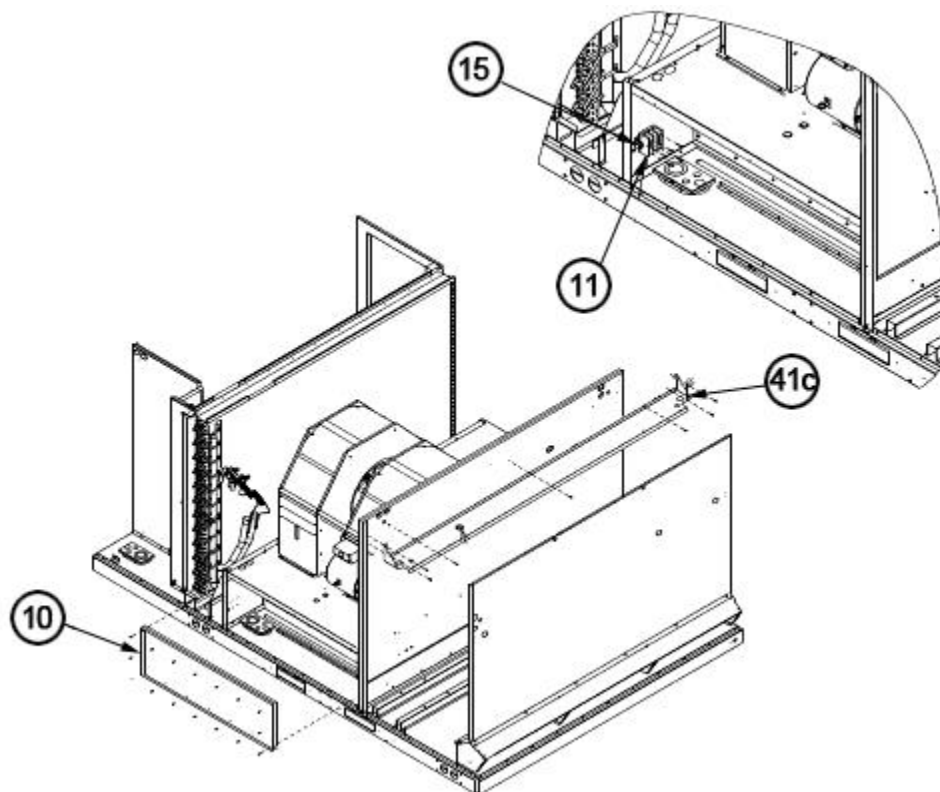
Burner Assembly 180



Control Box 180



Blower Assembly 180



Electric Heat Block-Off 180

NOTES

Stk It is recommended that stock be maintained for this part.

N/A Not Applicable

- 1 Older (Before F1811) filter frame components are not individually compatible with newer (After F1811) filter frame components. Depending upon availability of older (Before F1811) components, it may be necessary to replace entire filter frame assembly (Air Stops - Bottom and Side, Filter Channels and Filter Slides) with the newer style (After F1811) components.

DISCLAIMER: This document is intended to provide general replacement parts information to aid qualified service personnel in the repair of these models. The complete Model and Serial Number of the unit under repair should be specified when selecting and ordering replacement parts. Specifications and illustrations are subject to change without notice. Document 92-42800-RJNL-B supersedes all previous parts lists for these models. See <http://www.rheempartslists.net/92-42800-RJNL-B> for the latest revision of this document. The manufacturer assumes no obligation for errors or omissions. Service personnel must verify the proper and safe operation of equipment after the replacement of any original components.